

# Fan Installation Sheet for HP NetServer LC 3 and LH 3/3r

---

## HP NetServer 550 MHz Upgrade Kit for HP Product Number D8583A

If you are upgrading from a lower speed processor to a 550 MHz processor on the HP NetServer LC 3 or LH 3/3r, you must install a new fan to ensure proper cooling. The fan is shipped only for use with the HP NetServer LC 3 and LH 3/3r.

Use this accessory kit to upgrade the fan in your HP NetServer HP NetServer LC 3 or LH 3/3r, as follows:

- Upgrade an HP NetServer LH 3/3r by replacing an existing fan with a new fan
- Upgrade an HP NetServer LC 3 by adding a new fan

## Kit Contents

This accessory kit includes the following items:

- *Fan Installation Sheet for HP NetServer LC 3 and LH 3/3r* (this document)
- One fan assembly

## Tools You Need

To install this accessory kit, you need the following tool:

- T15 Torx screwdriver

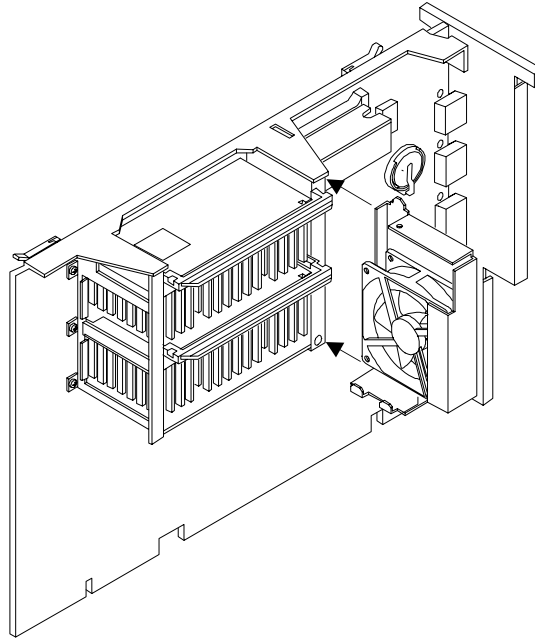
## Fan Installation on the HP NetServer LH 3/3r

To install the fan on the HP NetServer LH 3/3r, do the following:

1. Bring down the network properly. If necessary, shut down the network operating system.
2. Turn off power to the HP NetServer and the monitor.
3. Disconnect all power cables and other cables as necessary for access to the fan.
4. Remove the bezel. For instructions on removing the bezel, see the *HP NetServer LH 3/LH 3r User Guide*.
5. Remove two covers on the HP NetServer chassis to access the system board. To remove covers on the LH 3 pedestal version, remove the top and right covers (as you face the front panel). For detailed instructions on how to remove and replace the covers, see the *HP NetServer LH 3/LH 3r User Guide*. For the HP NetServer LH 3r, you need to extend the anti-tip foot and extend the LH 3r from the rack. For instructions on removing the LH 3r from the rack, see the *HP NetServer LH 3/LH 3r User Guide*. (You can perform the fan upgrade with the system board in place.)
6. Supporting the fan with one hand, remove the screw at the top of the fan unit. Remove the power source by unplugging the 3-pin connector from the system board.
7. Remove the old fan and discard it.



8. To install the new fan, connect the 3-pin connector. Make sure the wires are not crushed. Line up the two slots on the bottom and the one slot on the top of the unit. Line up the screw hole on the top of the fan unit. Support the fan tray with one hand while putting in the screw. Make sure the wires do not obstruct the fan's airflow. See Figure 1 below.



**Figure 1. Installing a New Fan**

9. To check that the fan is spinning, power up the NetServer and ensure that the fan spins. Power off the server.
10. Replace the chassis covers. Power up your NetServer.

## Fan Installation on the HP NetServer LC 3

There is no fan on the HP NetServer LC 3 to be removed.

1. Bring down the network properly. If necessary, shut down the network operating system.
2. Turn off power to the HP NetServer and the monitor.
3. Disconnect all power cables and other cables as necessary for access to the fan.
4. Remove the bezel. For instructions on removing the bezel, see the *HP NetServer LC 3 User Guide*.
5. Remove two covers on the HP NetServer chassis to access the system board. To remove covers on the LC 3 pedestal version, remove the top and right covers (as you face the front panel). For detailed instructions on how to remove and replace the covers, see the *HP NetServer LC 3 User Guide*. (You can perform the fan upgrade with the system board in place.)
6. To install the new fan, connect the 3-pin connector on the fan unit. Make sure the wires are not crushed. Line up the two slots on the bottom and the one slot on the top of the fan unit. Line up the screw hole on the top of the fan unit. Support the fan tray with one hand while putting in the screw. Make sure the wires do not obstruct the fan's airflow. See Figure 1.
7. To check that the fan is spinning, power up the NetServer and ensure that the fan spins. Power off the server.
8. Replace the chassis covers. Power up your NetServer.



## Free Manuals Download Website

<http://myh66.com>

<http://usermanuals.us>

<http://www.somanuals.com>

<http://www.4manuals.cc>

<http://www.manual-lib.com>

<http://www.404manual.com>

<http://www.luxmanual.com>

<http://aubethermostatmanual.com>

Golf course search by state

<http://golfingnear.com>

Email search by domain

<http://emailbydomain.com>

Auto manuals search

<http://auto.somanuals.com>

TV manuals search

<http://tv.somanuals.com>