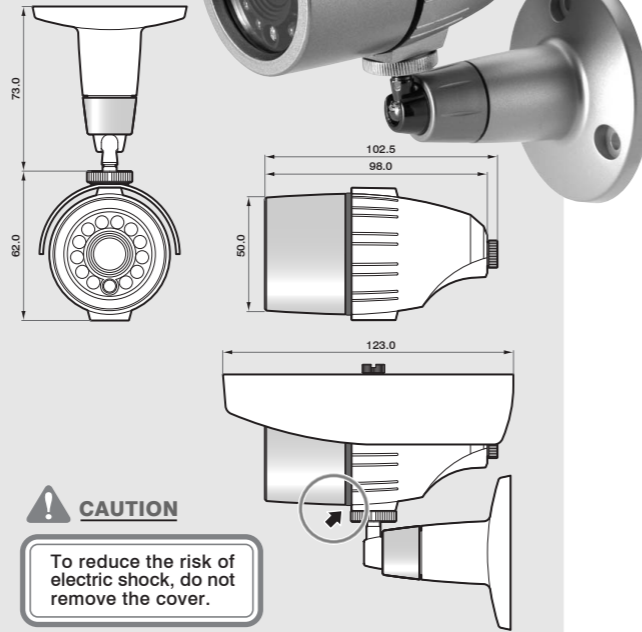


Weatherproof camera

DAY & NIGHT IR**Dimensions (mm)**

As surroundings darken, it switches automatically from color to **black-and-white** mode to enhance sensitivity.

D&N IR
Camera

Specifications

Model	NTSC	PAL
Image Sensor	1/3 inch SONY Super HAD CCD	
Total Pixels No.	410K / 270K	470K / 320K
S/N Ratio	More Than 48dB (AGC Off)	
Resolution	380 TV Lines	
Video Output	1.0 Vp-p (75 Ohms, Composite)	
Lens	Fixed f=4.3mm	
Angle of View	f=4.3mm: 78°	
Sync System	Internal	
Min. Illumination	0.00 Lux (IR LED On)	
Shutter Speed	1/60 ~ 100,000 Sec.	1/50 ~ 100,000 Sec.
White Balance	Auto	
AGC	Auto	
IR LED/SENSOR	Fixed (850nm/ 12EA)	
LED Lighting Distance	Fixed (15m/ Indoor)	
Input/Output Connector	Power (Red Jack), Video Output (Yellow Jack)	
Power Consumption	12VDC (10V~15V), 0.3A/ 3.6W (Max)	
Weight	Approx. 600g	

P/N: 3810-0053G
Rev 0.03/18

**Honeywell****HB70 Series****Operation Manual****CAUTION**

- ! **Do not install the camera in extreme temperature conditions.**
Do use the camera under conditions where temperatures are within -10°C to 50°C. Especially be careful for ventilation under high temperature.
- ! **Do not install the camera under unstable lighting conditions.**
Severe lighting change or flicker can cause the camera to work improperly.
- ! **Do not disassemble the camera.**
There are no user-serviceable parts inside it.
- ! **Do not drop the camera or subject to physical shock.**
It can cause malfunctions to occur.
- ! **Never point the camera into strong light or the sun.**
It can damage CCD.
- ! **Note**
If there is a bright spot light in the scene, smearing or blooming may occur. Confirm that the power supply provides sufficient power before connecting the camera

Regulatory Notice

This device complies with Part 15 of the FCC Rules. Operation is subject to the following two conditions : (1)This device may not cause harmful interference, and (2) this device must accept any interference received, including interference that may cause undesired operation.

This equipment has been tested and found to comply with the limits for a Class A digital device, pursuant to Part 15 of the FCC Rules. These limits are designed to provide reasonable protection against harmful interference in a commercial environment. This equipment generates, uses, and can radiate radio frequency energy and, if not installed and use in accordance with the instructions, may cause harmful interference to radio communications. Operation of this equipment in a residential area is likely to cause interference, in which case the user will be required to correct the interference at his own expense.

WARNING - Changes or modifications not expressly approved by the manufacturer could void the user's authority to operate the equipment.

CAUTION - When this camera is installed near equipment, like a wireless communication device that emits a strong electromagnetic field, some irregularity such as noise on the monitor screen may happen.

Design and specifications are subject to change without notice.

● **READ AND KEEP THIS OPERATION MANUAL**

Need Help?
Call 1.800.796.CCTV for sales, service and customer support.
www.honeywellvideo.com

Free Manuals Download Website

<http://myh66.com>

<http://usermanuals.us>

<http://www.somanuals.com>

<http://www.4manuals.cc>

<http://www.manual-lib.com>

<http://www.404manual.com>

<http://www.luxmanual.com>

<http://aubethermostatmanual.com>

Golf course search by state

<http://golfingnear.com>

Email search by domain

<http://emailbydomain.com>

Auto manuals search

<http://auto.somanuals.com>

TV manuals search

<http://tv.somanuals.com>