

Granit 1911i

Industrial Wireless Area-Imaging Scanner

Quick Start Guide

Aller à www.honeywellaidc.com pour le français.

Vai a www.honeywellaidc.com per l'italiano.

Gehe zu www.honeywellaidc.com für Deutsch.

Ir a www.honeywellaidc.com para español.

Para Português, acesse www.honeywellaidc.com.br.

Перейти на русскоязычный сайт www.honeywellaidc.com.

Pro češtinu jdi na www.honeywellaidc.com.

Pre slovenčinu choď na www.honeywellaidc.com

日本語：www.honeywellaidc.com をご覧ください。

如要到中国 www.honeywellaidc.com (简体)。

查看繁体版请登陆 www.honeywellaidc.com

한글 www.honeywellaidc.com 로 이동합니다 .



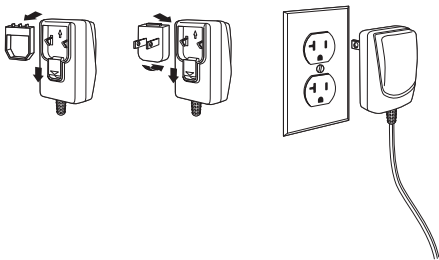
Note: Refer to your user's guide for information about cleaning your device.

For localized language versions of this document, go to www.honeywellaidc.com.

Getting Started

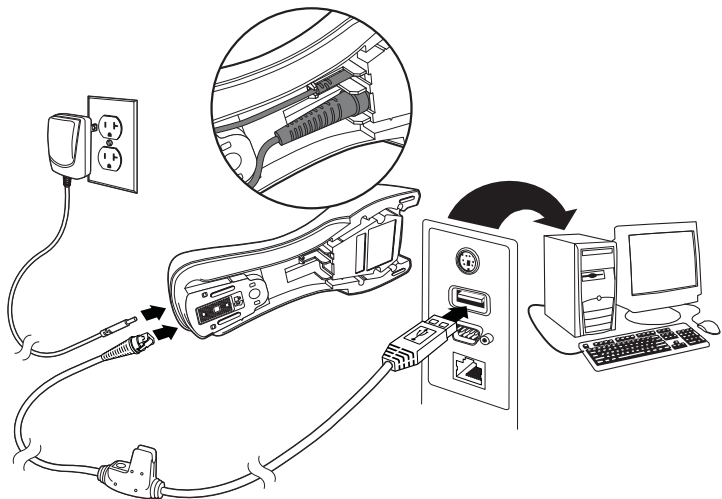
Turn off the computer's power before connecting the base, then power up the computer once the base is fully connected. When the base is connected and powered up, put the scanner in the base to establish a link. The green LED on the base flashes to indicate the scanner's battery is charging.

Power Supply Assembly (if included)

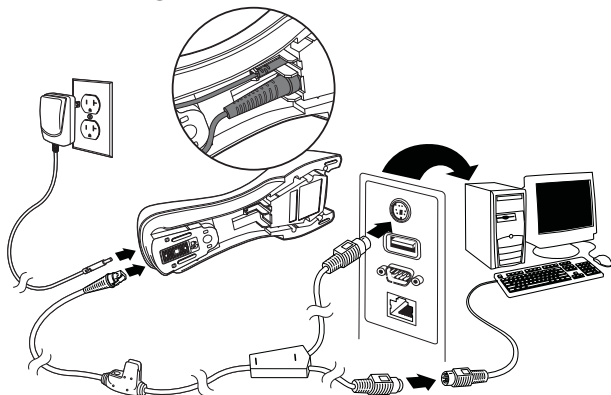


Note: The power supply must be ordered separately, if needed.

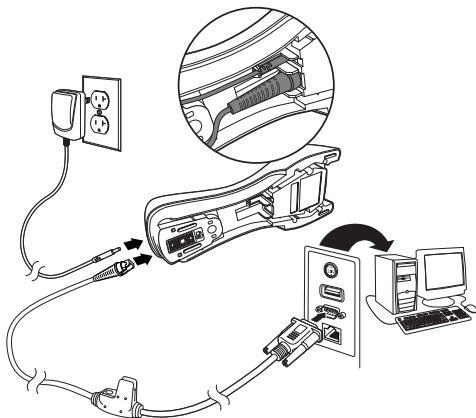
Connecting the Base USB:



Keyboard Wedge:



RS232 Serial Port:



Reading Techniques

The view finder projects an aiming beam that should be centered over the bar code, but it can be positioned in any direction for a good read.

Hold the scanner over the bar code, pull the trigger, and center the aiming beam on the bar code.

The aiming beam is smaller when the scanner is closer to the code and larger when it is farther from the code. Hold the scanner close to smaller bar codes, and farther away from large bar codes to get a proper read.

If the bar code is highly reflective (e.g., laminated), you may need to tilt the scanner at an angle so the bar code can be scanned.

Note: If the scanner beeps 3 times when scanning a bar code, the link has not been established. If the scanner beeps once, the link has been established.

Standard Product Defaults

The following bar code resets all standard product default settings.



Standard Product Defaults



USB Serial

Scan the following code to program the scanner to emulate a regular RS232-based COM Port. If you are using a Microsoft® Windows® PC, you will need to download a driver from the Honeywell website (www.honeywellaidc.com). The driver will use the next available COM Port number. Apple® Macintosh computers recognize the scanner as a USB CDC class device and automatically use a class driver.



USB Serial

Note: No extra configuration (e.g., baud rate) is necessary.

USB PC Keyboard

Scan the following code to program the scanner for a USB PC Keyboard.



USB PC Keyboard

Keyboard Country

Scan the **Program Keyboard Country** bar code below, then scan the numeric bar code(s) from [page 2](#), then the **Save** bar code to program the keyboard for your country. As a general rule, the following characters are not supported by the scanner for countries other than the United States:

@ | \$ # { } [] = / ' \ < > ~.



Program Keyboard Country

Country Code	Scan	Country Code	Scan
Belgium	1	Italy	5
Denmark	8	Norway	9
Finland	2	Spain	10
France	3	Switzerland	6
Germany/Austria	4	USA (Default)	0
Great Britain	7		



Save

Note: For a complete list of country codes, see the User's Guide for your product at our website, www.honeywellaidc.com.

Locked Link

If you link a scanner to a base using the Locked Link Mode, other scanners are blocked from being linked if they are inadvertently placed into the base. If you do place a different scanner into the base, it will charge the scanner, but the scanner will not be linked.



Locked Link Mode
(Single Scanner)

To use a different scanner, you need to unlink the original scanner by scanning the **Unlink Scanner** bar code.

Override Locked Scanner

If you need to replace a broken or lost scanner that is linked to a base, scan the **Override Locked Scanner** bar code with a new scanner, and place that scanner in the base. The locked link will be overridden; the broken or lost scanner's link with the base will be removed, and the new scanner will be linked.



Override Locked Scanner

Unlinking the Scanner

If the base has a scanner linked to it, that scanner must be unlinked before a new scanner can be linked. Once the previous scanner is unlinked, it will no longer communicate with the base. Scan the **Unlink Scanner** bar code to unlink a scanner.



Unlink Scanner

Trigger

The following bar codes will allow you to use the scanner in Manual Trigger - Normal Mode (need to press the trigger to read) or Presentation mode (the scanner is activated when it “sees” a bar code).



Manual Trigger - Normal
(Default)



Presentation Mode

Streaming Presentation™

When in Streaming Presentation mode, the scanner leaves the scan illumination on all the time and continuously searches for bar codes.



Streaming Presentation Mode

Suffix

If you want a carriage return after the bar code, scan the **Add CR Suffix bar code**. To add a tab after the bar code, scan the **Add Tab Suffix bar code**. Otherwise, scan the **Remove Suffix bar code** to remove the suffixes.



Add CR Suffix



Add Tab Suffix



Remove Suffix

Add Code ID Prefix to all Symbologies

Scan the following bar code if you wish to add a Code ID prefix to all symbologies at once.



Add Code ID Prefix To All Symbologies
(Temporary)

Note: For a complete list of Code IDs, see the User's Guide for your product at our website, www.honeywellaidc.com.

Function Code Transmit

When this selection is enabled and function codes are contained within the scanned data, the scanner transmits the function code to the terminal. Charts of these function codes are provided in your User's Guide. When the scanner is in keyboard wedge mode, the scan code is converted to a key code before it is transmitted.



Enable
(Default)



Disable

Data Format Editor Instructions

The following are abbreviated instructions for entering a data format. For complete instructions refer to your User's Guide, available at our website, www.honeywellaidc.com.

1. Scan the **Enter Data Format** symbol.
2. Primary/Alternate Format: scan **0** for Primary Format
3. Terminal Type: scan **099** for any terminal type
4. Code I.D.: scan **99** for any bar code type
5. Length: scan **9999** for any length bar code.
6. Editor commands: use the Programming Chart that follows.
7. Scan **Save** to save your entries.



Enter Data Format



Clear All Data Formats



Save

Programming Chart





8



A



C



E



Save



9



B



D



F

EZConfig-Scanning

To access additional features for the scanner use EZConfig-Scanning, an online configuration software tool, available from our website at www.honeywellaidc.com.

Technical Assistance

Contact information for technical support, product service, and repair can be found at www.honeywellaidc.com.

Limited Warranty

Refer to www.honeywellaidc.com/warranty_information for your product's warranty information.

Patents

For patent information, refer to www.honeywellaidc.com/patents.

User Documentation

For localized versions of this document, and to download the User's Guide, go to www.honeywellaidc.com.

Disclaimer

Honeywell International Inc. ("HII") reserves the right to make changes in specifications and other information contained in this document without prior notice, and the reader should in all cases consult HII to determine whether any such changes have been made. The information in this publication does not represent a commitment on the part of HII.

HII shall not be liable for technical or editorial errors or omissions contained herein; nor for incidental or consequential damages resulting from the furnishing, performance, or use of this material.

This document contains proprietary information that is protected by copyright. All rights are reserved. No part of this document may be photocopied, reproduced, or translated into another language without the prior written consent of HII.

© 2012 Honeywell International Inc. All rights reserved.

Web Address: www.honeywellaidc.com

Free Manuals Download Website

<http://myh66.com>

<http://usermanuals.us>

<http://www.somanuals.com>

<http://www.4manuals.cc>

<http://www.manual-lib.com>

<http://www.404manual.com>

<http://www.luxmanual.com>

<http://aubethermostatmanual.com>

Golf course search by state

<http://golfingnear.com>

Email search by domain

<http://emailbydomain.com>

Auto manuals search

<http://auto.somanuals.com>

TV manuals search

<http://tv.somanuals.com>