

## PORTABLE GENERATORS

# 3250 Watts

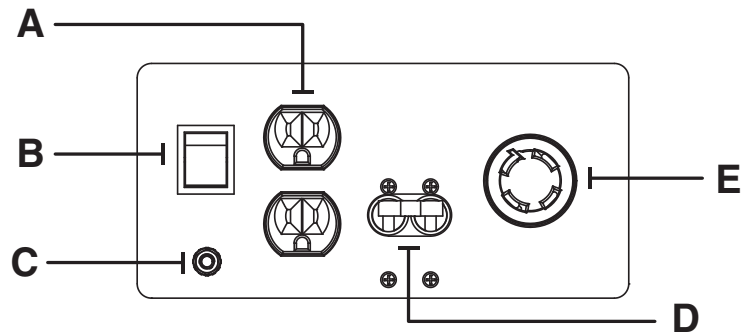
49-STATE/CSA CERTIFIED

3250 Running Watts  
3750 Starting Watts  
Model 5973



## FEATURES

- **OHV engine** is designed for long life with cast iron sleeves and low oil shut down.
- **User-friendly design** has conveniently placed controls and simple illustrated operating instructions for easy start-up.
- **Large steel fuel tank** requires less frequent refills so run times are extended.
- **Heavy-duty wheels** roll easily over rough or uneven terrain.
- **High-leverage handles** allow easy mobility, fold down for compact storage.



### CUSTOMER CONNECTION PANEL

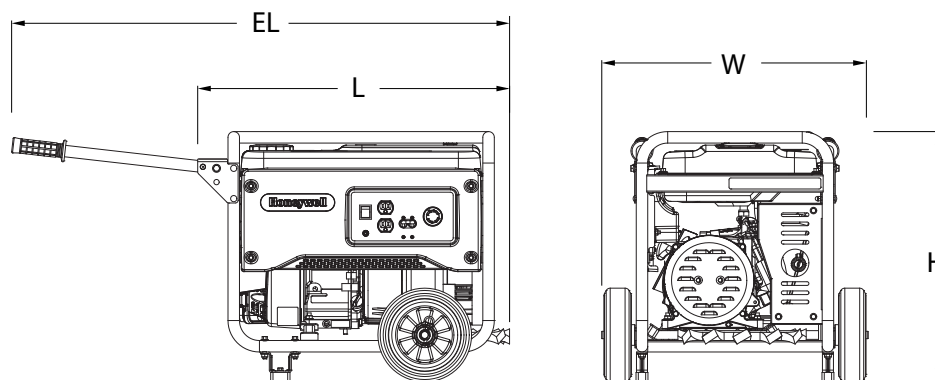
A	Receptacle: (2) 5-20R 120V
B	Engine Run/Stop Switch
C	Ground
D	Circuit breakers: (1) 25 Amp
E	Receptacle: (1) L14-20R Twist-Lock 120/240V

## SPECIFICATIONS

Model Number	5973
Running Watts	3250
Starting Watts	3750
Rated Amps @ 120 Volts	27
Rated Amps @ 240 Volts	13.5
Engine Type	OHV
Engine Displacement	208cc
Low Oil Shutdown	Yes
Starting Method	Pull
Battery	n/a
Outlets	(2) 5-20R 120V (1) L14-20R Twist-Lock 120/240V
Fuel Tank Capacity	2.9 Gallons
Run Time at 50% Load	7.5 Hours
Handles	2 Folding/Locking
Wheels	8" Solid
Included in box	Engine oil, funnel, quick set-up guide
Warranty - Residential	3 Year Ltd.
Warranty - Commercial	1 Year Ltd.
Configuration/Emissions	49-State/CSA

## DIMENSIONS (In inches)

Length (handles folded down)	26.0
Extended Length (Handles up)	41.0
Width (including wheels)	22.0
Height (including wheels)	21.0
Product weight	116 lbs.
Carton Length	25.6
Carton Width	18.0
Carton Height	20.0
Shipping weight	115.0 lbs.



### Generac Power Systems, Inc.

S45 W29290 Hwy. 59

Waukesha, WI 53187

Tel: 1-855-GEN-INFO

honeywellgenerators.com

0194090HWL-A

Jan 2012

© Generac Power Systems, Inc. All rights reserved.  
Specifications subject to change without notice.

The Honeywell Trademark is used under  
license from Honeywell International Inc.

Honeywell International Inc. makes no representation  
or warranties with respect to this product.

# Honeywell

## Free Manuals Download Website

<http://myh66.com>

<http://usermanuals.us>

<http://www.somanuals.com>

<http://www.4manuals.cc>

<http://www.manual-lib.com>

<http://www.404manual.com>

<http://www.luxmanual.com>

<http://aubethermostatmanual.com>

Golf course search by state

<http://golfingnear.com>

Email search by domain

<http://emailbydomain.com>

Auto manuals search

<http://auto.somanuals.com>

TV manuals search

<http://tv.somanuals.com>