

# ELECTRONIC PROGRAMMER

## ST6300

### FEATURES

■  
One or two ON/OFF periods per day.

■  
Built-in battery back-up.

■  
Built-in start-up programme.

■  
Clear digital display.

■  
Ease of operation.

■  
Temporary or permanent over-ride facilities.

■  
12 hour time display with am/pm indication.

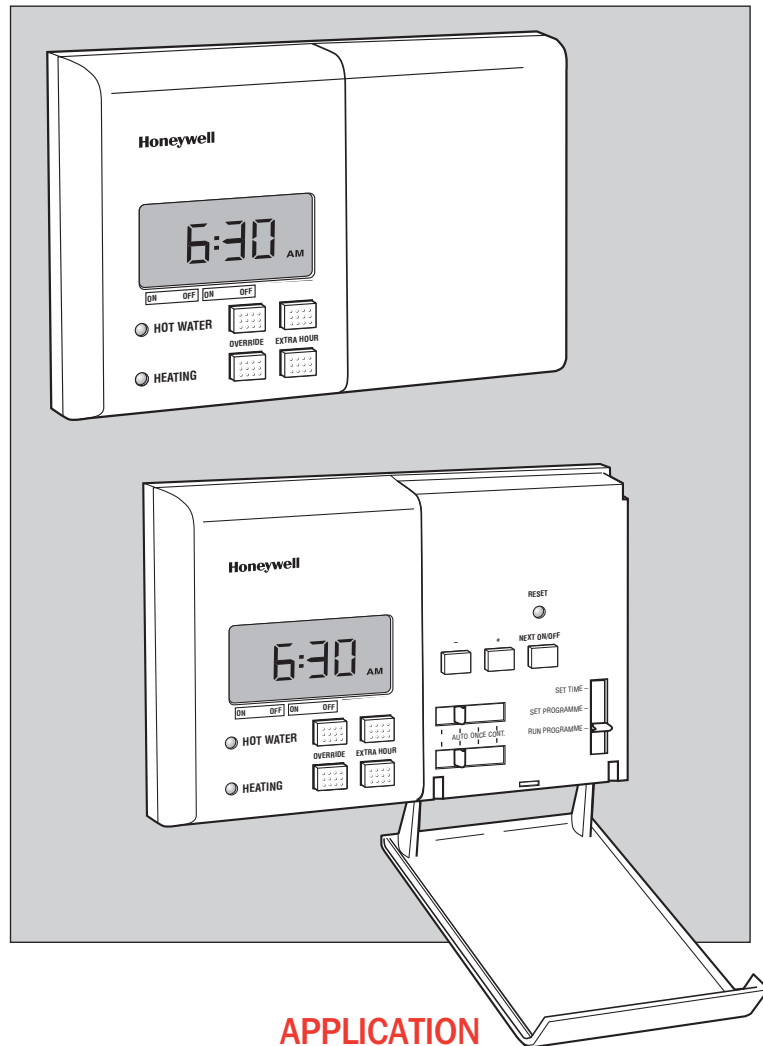
■  
Simple change to 24 hour clock display.

■  
Programme indicator lights.

■  
Double insulated.

■  
Extra hour facility for one hour boost or programme extension.

■  
Earth wire parking terminal.



### APPLICATION

The ST6300A is an electronic central heating time control programmer that can be used on fully pumped systems having separate heating and hot water temperature control where common switching times for heating and hot water are required.

A hinged cover conceals the programming buttons when not in use, leaving only the override and extra hour buttons exposed. The front cover also carries abbreviated user instructions on the inside for permanent ready reference.

## Installation

ST6300 can be either surface or flush switch box mounted, for both of which fixing screws are supplied. The wiring sub-base has holes to suit single switch boxes and breakouts for surface wiring and mini-trunking.

When wiring is completed the plug-in module is fitted onto the sub-base and secured by tightening the retaining screws.

## Ordering Specification

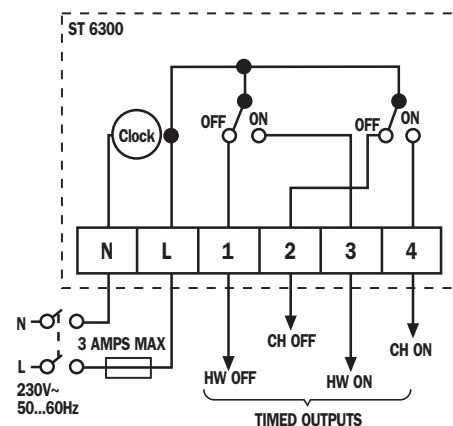
ST6300A1007

Electronic programmer having two ON/OFF periods with separate outputs for heating and hot water circuits.

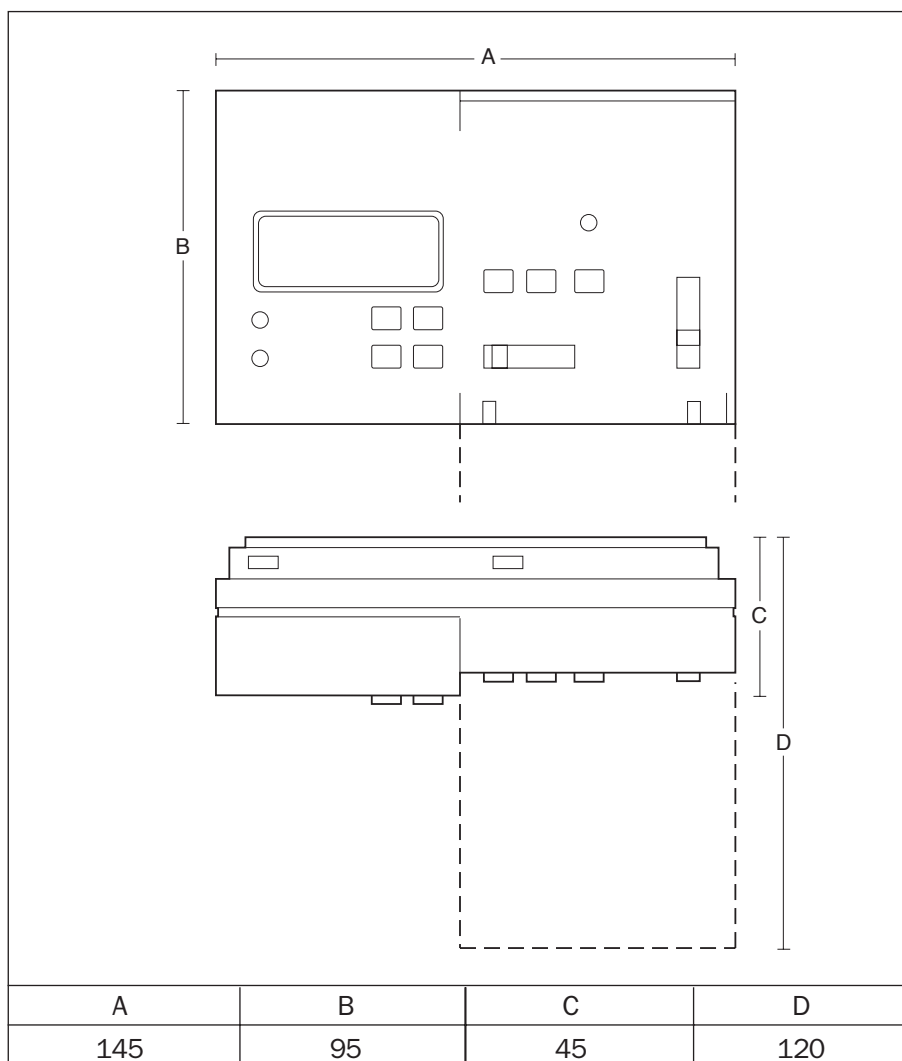
## Specification

Switch Type	: Single Pole Double Throw (SPDT)
Switch Rating	: 3(3)A
Timing Accuracy	: $\pm 1$ min/month
Timing Resolution	: Time of Day 1 minute : Programme Times 10 minutes
Ambient Operating Temperature	: 0-50°C
Power Reserve	: Minimum 4 days
Weight	: 330g approx (including wall plate)
Earthing	: Double Insulated
Battery Back-Up	: Integral battery with built-in charging circuit
Standards	: Complies with BS EN60730-2-7
EC Directive	: Conforms to 89/336/EEC & 73/23/EEC

## Wiring



## Dimensions (mm)



## Free Manuals Download Website

<http://myh66.com>

<http://usermanuals.us>

<http://www.somanuals.com>

<http://www.4manuals.cc>

<http://www.manual-lib.com>

<http://www.404manual.com>

<http://www.luxmanual.com>

<http://aubethermostatmanual.com>

Golf course search by state

<http://golfingnear.com>

Email search by domain

<http://emailbydomain.com>

Auto manuals search

<http://auto.somanuals.com>

TV manuals search

<http://tv.somanuals.com>