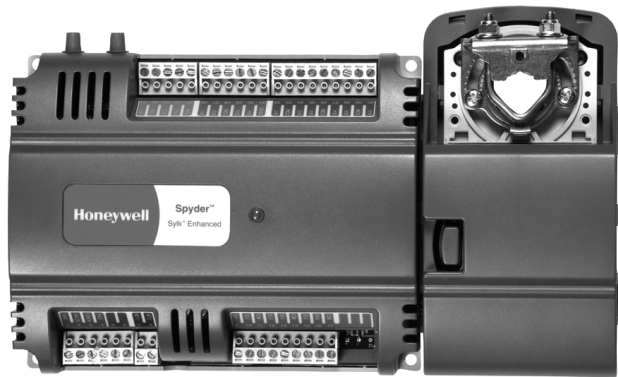


Spyder® Lon Programmable, VAV/Unitary Controllers

INSTALLATION INSTRUCTIONS



PRODUCT DESCRIPTION

The PUL1012S, PUL4024S, PUL6438S, PVL0000AS, PVL4022AS, PVL4024NS, PVL6436AS, and PVL6438NS controllers are part of the Excel 10 product line family. The eight controllers are Free Topology Transceiver (FTT) LONMARK®-compliant devices designed to control HVAC equipment. These controllers provide many options and advanced system features that allow state-of-the-art commercial building control. Each controller is programmable and configurable through software.

These controllers are for use in VAV (Variable Air Volume) and Unitary HVAC control applications. Each controller contains a host micro controller to run the main HVAC application and a second micro controller for LONWORKS® network communications. Each controller has flexible, universal inputs for external sensors, digital inputs, and a combination of analog and digital Triac outputs. The eight models are described in Table 1. The photo to the left is the model PVL6436AS, which includes the actuator.

Table 1. Controller configurations.

Controller Model	Programmable Type	Universal Inputs (UI)	Digital Inputs (DI)	Analog Outputs (AO)	Digital Outputs (DO)	Velocity Pressure Sensor (Microbridge)	Series 60 Floating Actuator
PUL1012S	Unitary	1 ^a	0	1	2	NO	NO
PUL4024S	Unitary	4 ^a	0	2	4	NO	NO
PUL6438S	Unitary	6	4	3	8	NO	NO
PVL0000AS	VAV	0	0	0	0	YES	YES
PVL4022AS	VAV	4 ^a	0	2	2	YES	YES
PVL4024NS	VAV	4 ^a	0	2	4	YES	NO
PVL6436AS	VAV	6	4	3	6	YES	YES
PVL6438NS	VAV	6	4	3	8	YES	NO

^a One Universal Input (UI-1*) is user selectable as a fast digital pulse meter.

Each controller communicates via the 78 kbps Echelon® LONWORKS® Network, using the FTT-10A LONWORKS® interface, and is LONMARK® compliant.

Controllers are field-mountable to either a panel or a DIN rail.



SPECIFICATIONS

General Specifications

Rated Voltage: 20–30 Vac; 50/60 Hz

Power Consumption:

100 VA for controller and all connected loads (including the actuator on models PVL0000AS, PVL4022AS, and PVL6436AS)

Controller Only Load: 20 VA maximum; models PUL1012S, PUL4024S, PUL6438S, PVL4024NS, and PVL6438NS.

Controller and Actuator Load: 21 VA maximum; models PVL0000AS, PVL4022AS, and PVL6436AS

External Sensors Power Output: 20 Vdc ±10% @ 75 mA maximum

VAV Operating & Storage Temperature Ambient Rating (models PVL0000AS, PVL4022AS, PVL4024NS, PVL6436AS, and PVL6438NS):

Minimum 32 F (0 C); Maximum 122 F (50 C)

Unitary Operating & Storage Temperature Ambient Rating (models PUL1012S, PUL4024S, and PUL6438S):

Minimum -40 F (-40 C); Maximum 150 F (65.5 C)

Relative Humidity: 5% to 95% non-condensing

LED: Provides status for normal operation, controller down-load process, alarms, manual mode, and error conditions

BEFORE INSTALLATION

The controller is available in eight models (see Table 1).

Review the power, input, and output specifications on page 2 before installing the controller.

- Hardware driven by Triac outputs must have a minimum current draw, when energized, of 25 mA and a maximum current draw of 500 mA.
- Hardware driven by the analog current outputs must have a maximum resistance of 550 Ohms, resulting in a maximum voltage of 11 volts when driven at 20 mA. If resistance exceeds 550 Ohms, voltages up to 18 Vdc are possible at the analog output terminal.

⚠ WARNING

Electrical Shock Hazard.

Can cause severe injury, death or property damage.

Disconnect power supply before beginning wiring or making wiring connections to prevent electrical shock or equipment damage.

INSTALLATION

The controller must be mounted in a position that allows clearance for wiring, servicing, removal, connection of the LonWorks® Bus Jack, and access to the Neuron® Service Pin.

The controller may be mounted in any orientation.

IMPORTANT

Avoid mounting in areas where acid fumes or other deteriorating vapors can attack the metal parts of the controller, or in areas where escaping gas or other explosive vapors are present. See Fig. 4–Fig. 7 on page 4 for mounting dimensions.

For PVL0000AS, PVL4022AS, and PVL6436AS models, the actuator is mounted first and then the controller is mounted. For the other models, go to “Mount Controller” on page 4 to begin the installation.

Mount Actuator onto Damper Shaft (PVL0000AS, PVL4022AS, and PVL6436AS)

PVL0000AS, PVL4022AS, and PVL6436AS controllers include the direct-coupled actuator with Declutch mechanism, which is shipped hard-wired to the controller.

The actuator mounts directly onto the VAV box damper shaft and has up to 44 lb-in. (5 Nm) torque, 90-degree stroke, and 90 second timing at 60 Hz. The actuator is suitable for mounting onto a 3/8 to 1/2 in. (10 to 13 mm) square or round VAV box damper shaft. The minimum VAV box damper shaft length is 1-9/16 in. (40 mm).

The two mechanical end-limit set screws control the amount of rotation from 12° to 95°. These set screws must be securely fastened in place. To ensure tight closing of the damper, the shaft adapter has a total rotation stroke of 95° (see Fig. 1).

NOTE: The actuator is shipped with the mechanical end-limit set screws set to 95 degrees of rotation. Adjust the two set screws closer together to reduce the rotation travel. Each “hash mark” indicator on the bracket represents approximately 6.5° of rotation per side.

NOTE: The Declutch button, when pressed, allows you to rotate the universal shaft adapter (see Fig. 1).

IMPORTANT

Determine the damper rotation and opening angle prior to installation. See Fig. 2 and Fig. 3 on page 3 for examples.

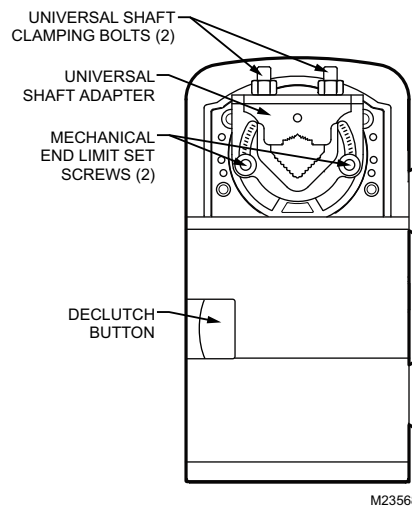


Fig. 1. Series 60 Floating Actuator.

IMPORTANT

Mount actuator flush with damper housing or add a spacer between the actuator mounting surface and damper box housing.

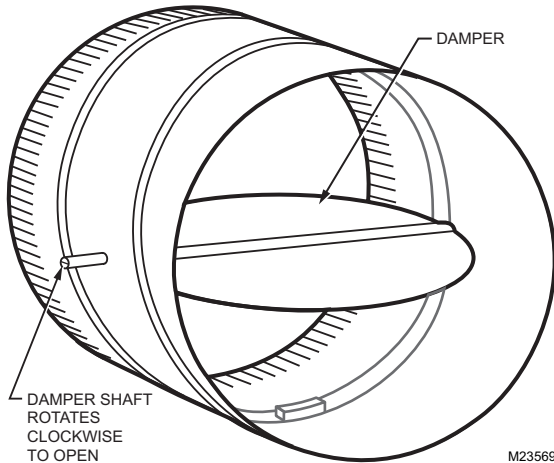


Fig. 2. Damper with 90 degree CW rotation to open.

Before Mounting Actuator onto Damper Shaft (PVL0000AS, PVL4022AS, and PVL6436AS)

Tools required:

- Phillips #2 screwdriver - end-limit set screw adjustment
- 8 mm wrench - centering clamp

Before mounting the actuator onto the VAV box damper shaft, determine the following:

1. Determine the damper shaft diameter. It must be between 3/8 in. to 1/2 in. (10 to 13 mm).
2. Determine the length of the damper shaft. If the length of the VAV box damper shaft is less than 1-9/16 in. (40 mm), the actuator cannot be used.
3. Determine the direction the damper shaft rotates to open the damper (CW or CCW) (see Fig. 3). Typically, there is an etched line on the end of the damper shaft that indicates the position of the damper. In Fig. 2, the indicator shows the damper open in a CW direction.
4. Determine the damper full opening angle (45, 60, or 90 degrees). In Fig. 2, the damper is open to its full open position of 90 degrees.

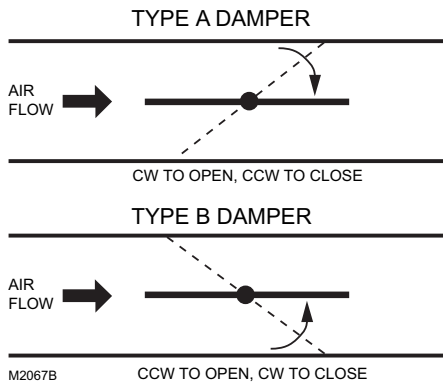


Fig. 3. Determining the rotation direction (CW or CCW) for damper opening.

Mounting Actuator onto Damper Shaft (PVL0000AS, PVL4022AS, and PVL6436AS)

The unit is shipped with the actuator set to rotate open in the clockwise (CW) direction to a full 95 degrees. The extra 5 degrees ensures a full opening range for a 90 degree damper. The installation procedure varies depending on the damper opening direction and angle:

1. If the damper rotates clockwise (CW) to open, and the angle of the damper open-to-closed is 90 degrees:
 - a. Manually open the damper fully (rotate clockwise).
 - b. Using the Declutch button, rotate the universal shaft adapter fully clockwise.
 - c. Mount the actuator to the VAV damper box and shaft.
 - d. Tighten the two bolts on the centering clamp (8 mm wrench; 70.8–88.5 lb-in. [8–10 Nm] torque). When the actuator closes, the damper rotates CCW 90 degrees to fully close.
2. If the damper rotates clockwise (CW) to open, and the angle of the damper open-to-closed is 45 or 60 degrees:
 - a. Manually open the damper fully (rotate clockwise).
 - b. The actuator is shipped with the mechanical end-limits set at 95 degrees. Adjust the two mechanical end-limit set screws to provide the desired amount of rotation. Adjust the two set screws closer together to reduce the rotation travel.
 - c. Tighten the two mechanical end-limit screws (Phillips #2 screwdriver; (26.5–31 lb-in. [3.0–3.5 Nm] torque).
 - d. Using the Declutch button, rotate the universal shaft adapter fully clockwise.
 - e. Mount the actuator to the VAV damper box and shaft.
 - f. Tighten the two bolts on the centering clamp (8 mm wrench; 70.8–88.5 lb-in. [8–10 Nm] torque).
 - g. When the actuator closes, the damper rotates CCW either 45 or 60 degrees to fully close.
3. If the damper rotates counterclockwise (CCW) to open, and the angle of the damper open-to-closed is 90 degrees:
 - a. Manually open the damper fully (rotate counter-clockwise).
 - b. Using the Declutch button, rotate the universal shaft adapter fully counterclockwise.
 - c. Mount the actuator to the damper box and shaft.
 - d. Tighten the two bolts on the centering clamp (8 mm wrench; 70.8–88.5 lb-in. [8–10 Nm] torque). When the actuator closes, the damper rotates CW 90 degrees to fully close.
4. If the damper rotates counterclockwise (CCW) to open, and the angle of the damper open-to-closed is 45 or 60 degrees:
 - a. Manually open the damper fully (rotate counter-clockwise).
 - b. The actuator is shipped with the mechanical end-limits set at 95 degrees. Adjust the two mechanical end-limit set screws to provide the desired amount of rotation. Adjust the two set screws closer together to reduce the rotation travel.
 - c. Tighten the two mechanical end-limit screws (Phillips #2 screwdriver; (26.5–31 lb-in. [3.0–3.5 Nm] torque).
 - d. Using the Declutch button, rotate the universal shaft adapter fully counter-clockwise.
 - e. Mount the actuator to the VAV damper box and shaft.
 - f. Tighten the two bolts on the centering clamp (8 mm wrench; 70.8–88.5 lb-in. [8–10 Nm] torque).
 - g. When the actuator closes, the damper rotates CW either 45 or 60 degrees to fully close.

Mount Controller

NOTE: The controller may be wired before mounting to a panel or DIN rail.

Terminal blocks are used to make all wiring connections to the controller. Attach all wiring to the appropriate terminal blocks (see "Wiring" on page 5).

See Fig. 4 to Fig. 7 for panel mounting dimensions. See Fig. 8 on page 5 for DIN rail mounting.

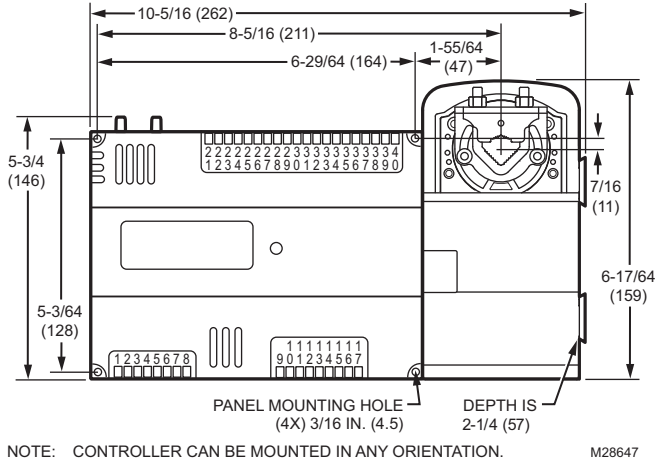


Fig. 4. Panel mounting — controller and actuator dimensions in inches (mm) for PVL6436AS only.

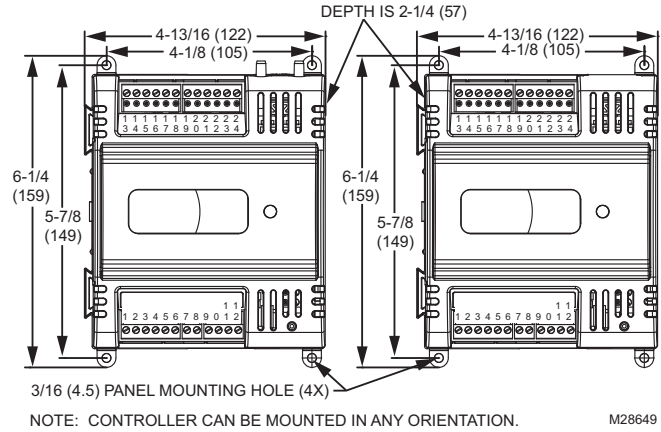


Fig. 5. Panel mounting — controller dimensions in inches (mm) for PUL1012S, PUL4024S, and PVL4024NS only (PUL4024S and PVL4024NS shown).

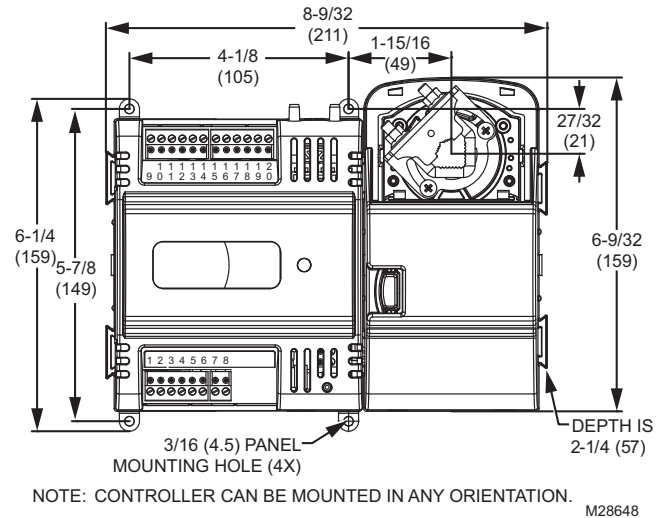


Fig. 6. Panel mounting — controller and actuator dimensions in inches (mm) for PVL0000AS and PVL4022AS only (PVL4022AS shown).

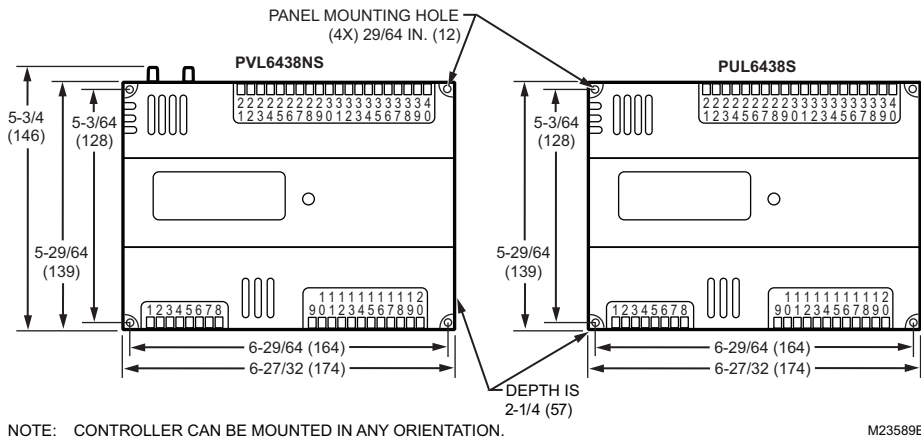


Fig. 7. Panel mounting — controller dimensions in inches (mm) for PUL6438S and PVL6438NS only.

Panel Mounting

The controller enclosure is constructed of a plastic base plate and a plastic factory-snap-on cover.

NOTE: The controller is designed so that the cover does not need to be removed from the base plate for either mounting or wiring.

The controller mounts using four screws inserted through the corners of the base plate. Fasten securely with four No. 6 or No. 8 machine or sheet metal screws.

The controller can be mounted in any orientation. Ventilation openings are designed into the cover to allow proper heat dissipation, regardless of the mounting orientation.

DIN Rail Mounting (PUL1012S, PUL4024S, PUL6438S, PVL4024NS, and PVL6438NS)

To mount the PUL1012S, PUL4024S, PUL6438S, PVL4024NS, or PVL6438NS controller on a DIN rail [standard EN50022; 1-3/8 in. x 9/32 in. (7.5 mm x 35 mm)], refer to Fig. 8 and perform the following steps:

1. Holding the controller with its top tilted in towards the DIN rail, hook the two top tabs on the back of the controller onto the top of the DIN rail.
2. Push down and in to snap the two bottom flex connectors of the controller onto the DIN rail.

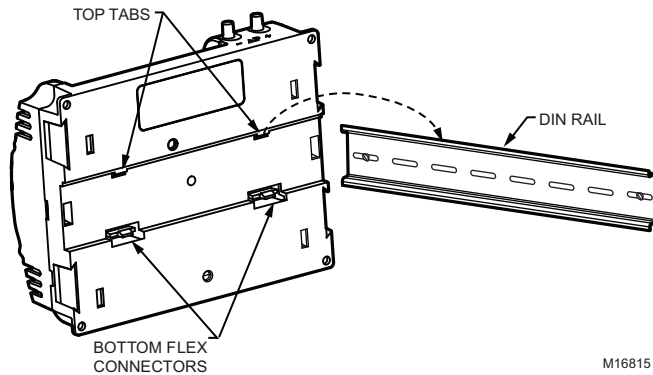


Fig. 8. Controller DIN rail mounting (models PUL1012S, PUL4024S, PUL6438S, PVL4024NS, and PVL6438NS).

IMPORTANT

To remove the controller from the DIN rail, perform the following:

1. Push straight up from the bottom to release the top tabs.
2. Rotate the top of the controller out towards you and pull the controller down and away from the DIN rail to release the bottom flex connectors.

Piping (PVL0000AS, PVL4022AS, PVL4024NS, PVL6436AS, and PVL6438NS)

Air flow Pickup

For PVL0000AS, PVL4022AS, PVL4024NS, PVL6436AS, and PVL6438NS, connect the air flow pickup to the two restrictor ports on the controller (see Fig. 9).

NOTES:

- Use 1/4 inch (6 mm) outside diameter, with a 0.040 in. (1 mm) wall thickness, plenum-rated 1219 FR (94V-2) tubing.
- Always use a fresh cut on the end of the tubing that connects to the air flow pickups and the restrictor ports on the controller.

Connect the high pressure or upstream tube to the plastic restrictor port labeled (+), and the low pressure or downstream tube to the restrictor port labeled (-). See labeling in Fig. 9. When twin tubing is used from the pickup, split the pickup tubing a short length to accommodate the connections.

NOTES:

- If controllers are mounted in unusually dusty or dirty environments, an inline, 5-micron disposable air filter (use 5-micron filters compatible with pneumatic controls) is recommended for the high pressure line (marked as +) connected to the air flow pickup.
- The tubing from the air flow pickup to the controller should not exceed three feet (0.914 m). Any length greater than this will degrade the flow sensing accuracy.
- Use caution when removing tubing from a connector. Always pull straight away from the connector or use diagonal cutters to cut the edge of the tubing attached to the connector. Never remove by pulling at an angle.

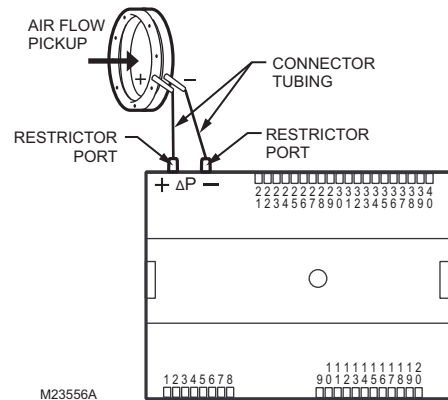


Fig. 9. Air flow pickup connections (PVL0000AS, PVL4022AS, PVL4024NS, PVL6436AS, and PVL6438NS).

Wiring

All wiring must comply with applicable electrical codes and ordinances, or as specified on installation wiring diagrams. Controller wiring is terminated to the screw terminal blocks located on the top and the bottom of the device.

⚠ WARNING

Electrical Shock Hazard.

Can cause severe injury, death or property damage.

Disconnect power supply before beginning wiring or making wiring connections, to prevent electrical shock or equipment damage.

NOTES:

- For multiple controllers operating from a single transformer, the same side of the transformer secondary must be connected to the same power input terminal in each controller. Controller configurations will not necessarily be limited to three devices, but the total power draw, including accessories, cannot exceed 100 VA when powered by the same transformer (U.S. only). For power and wiring recommendations, see “Wiring” on page 5. The earth ground terminal (terminal 3) must be connected to a verified earth ground for each controller in the group (see Fig. 12 on page 7).
- All loads on the controller must be powered by the same transformer that powers the controller itself. A controller can use separate transformers for controller power and output power.
- Keep the earth ground connection (terminal 3) wire run as short as possible.
- Do not connect the universal input COM terminals, analog output COM terminals or the digital input/output COM terminals to earth ground. Refer to Fig. 10–Fig. 12 for wiring examples.

The 24 Vac power from an energy limited Class II power source must be provided to the controller. To conform to Class II restrictions (U.S. only), the transformer must not be larger than 100 VA.

Fig. 10 depicts a single controller using one transformer.

IMPORTANT

Power must be off prior to connecting to or removing connections from the 24 Vac power (24 Vac/24 Vac COM), earth ground (EGND), and 20 Vdc power (20 Vdc) terminals..

IMPORTANT

Use the heaviest gauge wire available, up to 14 AWG (2.0 sq mm), with a minimum of 18 AWG (1.0 sq mm), for all power and earth ground wiring.

Screw-type terminal blocks are designed to accept up to one 14 AWG (2.0 sq mm) conductor or up to two 18 AWG (1.0 sq mm) conductors. More than two wires that are 18 AWG (2.0 sq mm) can be connected with a wire nut. Include a pigtail with this wire group and attach the pigtail to the terminal block.

IMPORTANT

If the controller is used on **Heating and Cooling Equipment (UL 1995, U.S. only)** and the transformer primary power is more than 150 volts, connect terminal 2, (the 24 Vac common [24 VAC COM] terminal) to earth ground (see Fig. 11). For these applications, only one controller can be powered by each transformer.

NOTES:

- Unswitched 24 Vac power wiring can be run in the same conduit as the LONWORKS® cable.

- Maintain at least a 3 in. (7.6 cm) separation between Triac outputs and LONWORKS® wiring throughout the installation.

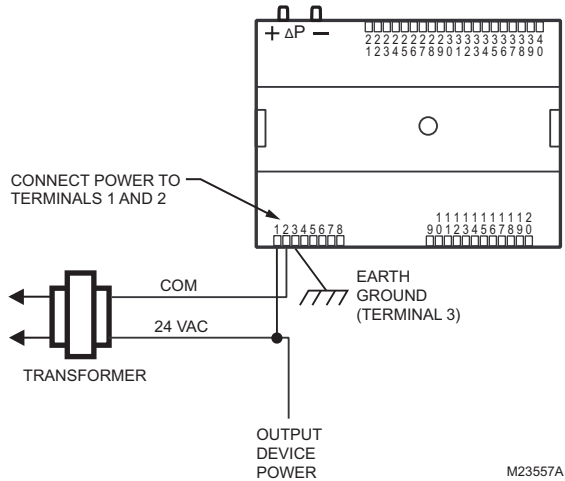


Fig. 10. Power wiring details for one controller per transformer.

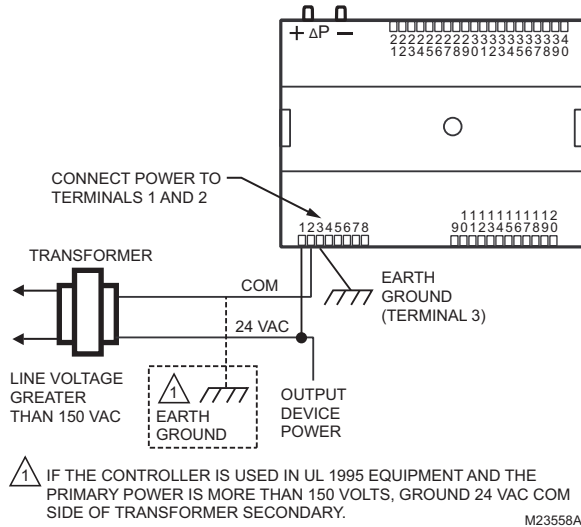


Fig. 11. Transformer power wiring details for one controller used in UL 1995 equipment (U.S. only).

More than one controller can be powered by a single transformer. Fig. 12 shows power wiring details for multiple controllers.

NOTE: Controller configurations are not necessarily limited to three devices, but the total power draw, including accessories, cannot exceed 100 VA when powered by the same transformer (U.S. only). For power wiring recommendations, see “Wiring” on page 5.

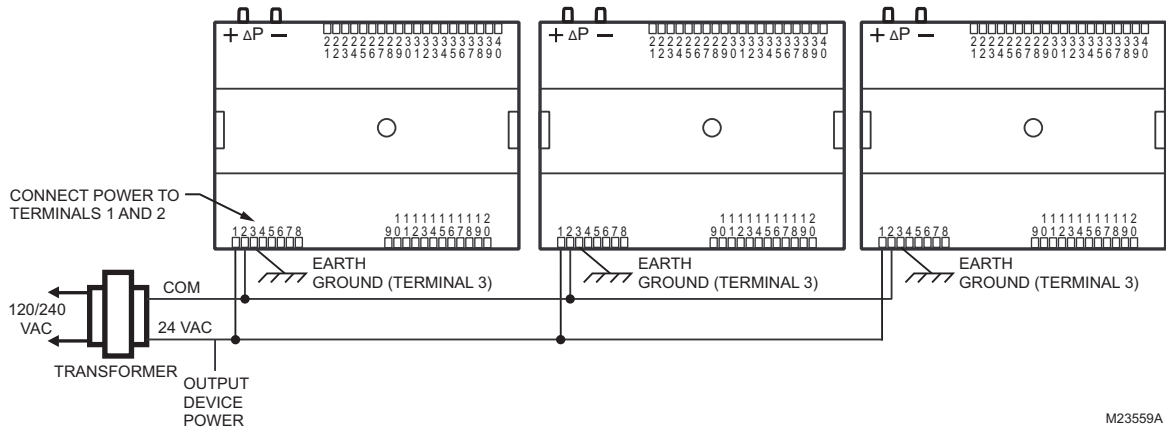


Fig. 12. Power wiring details for two or more controllers per transformer.

Wiring Method



WARNING

Electrical Shock Hazard.
Can cause severe injury, death or property damage.

Disconnect power supply before beginning wiring, or making wiring connections, to prevent electrical shock or equipment damage.

NOTE: When attaching two or more wires to the same terminal, other than 14 AWG (2.0 sq mm), be sure to twist them together. Deviation from this rule can result in improper electrical contact (see Fig. 13).

Each terminal can accommodate the following gauges of wire:
— Single wire: from 22 AWG to 14 AWG solid or stranded
— Multiple wires: up to two 18 AWG stranded, with 1/4 watt wire-wound resistor

Prepare wiring for the terminal blocks, as follows:

1. Strip 1/2 in. (13 mm) insulation from the conductor.
2. Cut a single wire to 3/16 in. (5 mm). Insert the wire in the required terminal location and tighten the screw.
3. If two or more wires are being inserted into one terminal location, twist the wires together a minimum of three turns before inserting them (see Fig. 13).
4. Cut the twisted end of the wires to 3/16 in. (5 mm) before inserting them into the terminal and tightening the screw.
5. Pull on each wire in all terminals to check for good mechanical connection.

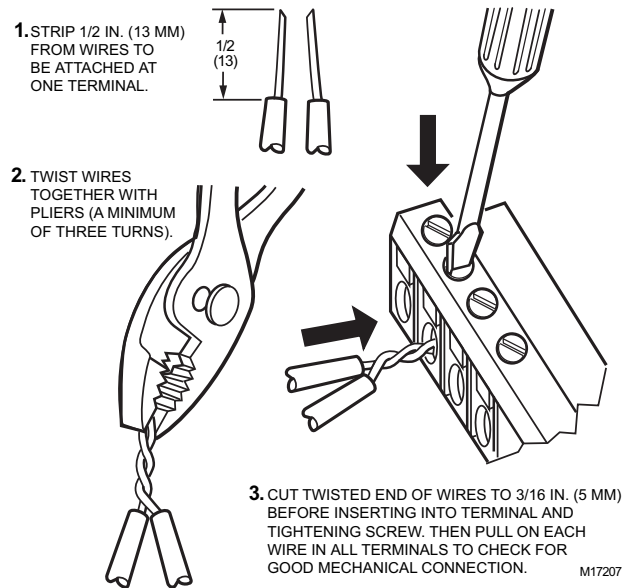


Fig. 13. Attaching two or more wires at terminal blocks.

Controller Replacement (PVL0000AS, PVL4022AS, and PVL6436AS)

For PVL0000AS, PVL4022AS, and PVL6436AS controllers, which are hard-wired to an actuator, perform the following actions to replace the complete assembly (controller and actuator):

1. Remove all power from the controller.
2. Remove the two air flow pickup connections from the pressure sensor.
3. Remove the terminal blocks.
4. Remove the old controller and actuator assembly from its mounting.
 - Loosen the two bolts on the actuator clamp to release the actuator from the shaft.
 - Remove the controller's mounting screws.
 - Gently pull the controller and actuator assembly straight out, until the assembly is clear of the actuator shaft.

5. Mount the new controller and actuator assembly (see “Installation” on page 2).
 6. Reconnect the two air flow pickup tubes to the pressure sensor (see “Piping (PVL0000AS, PVL4022AS, PVL4024NS, PVL6436AS, and PVL6438NS)” on page 5).
 7. Replace the terminal blocks:
 - Insert each terminal block onto its alignment pins.
 - Press straight down to firmly seat it.
 - Repeat for each terminal block.
 8. Restore power to the controller.
 9. Perform checkout.
6. Reconnect the two air flow pickup tubes to the pressure sensor (see “Piping (PVL0000AS, PVL4022AS, PVL4024NS, PVL6436AS, and PVL6438NS)” on page 5).
 7. Replace the terminal blocks:
 - Insert each terminal block onto its alignment pins.
 - Press straight down to firmly seat it.
 - Repeat for each terminal block.
 8. Restore power to the controller.
 9. Perform checkout.

Controller Replacement (PVL4024NS and PVL6438NS)

Perform the following to replace the PV4024NS and PVL6438NS controllers:

1. Remove all power from the controller.
2. Remove the two air flow pickup connections from the pressure sensor.
3. Remove the terminal blocks.
4. Remove the old controller from its mounting.

IMPORTANT

(FOR CONTROLLERS MOUNTED TO A DIN RAIL):

1. Push straight up from the bottom to release the top pins.
 2. Rotate the top of the controller outwards to release the bottom flex connectors (see Fig. 8 on page 5).
5. Mount the new controller.
 - see “Installation” on page 2

Controller Replacement (PUL1012S, PUL4024S, and PUL6438S)

Perform the following to replace the PUL1012S, PUL4024S, and PUL6438S controllers:

1. Remove all power from the controller.
2. Remove the terminal blocks.
3. Remove the old controller from its mounting.

IMPORTANT

(FOR CONTROLLERS MOUNTED TO A DIN RAIL):

1. Push straight up from the bottom to release the top pins.
 2. Rotate the top of the controller outwards to release the bottom flex connectors (see Fig. 8 on page 5).
4. Mount the new controller (see “Installation” on page 2).
 5. Replace the terminal blocks:
 - Insert each terminal block onto its alignment pins.
 - Press straight down to firmly seat it.
 - Repeat for each terminal block.
 6. Restore power to the controller.
 7. Perform checkout.

LON®, LONTALK®, LONWORKS®, and NEURON® are registered trademarks of Echelon® Corporation.

LONMARK® and the LonMark Logo are trademarks of the LonMark Association.

NIAGARA FRAMEWORK® and the Niagara framework logo are registered trademarks of Tridium, Inc.

Automation and Control Solutions

Honeywell International Inc.
1985 Douglas Drive North
Golden Valley, MN 55422
customer.honeywell.com

Honeywell Limited-Honeywell Limitée
35 Dynamic Drive
Toronto, Ontario M1V 4Z9

Honeywell

© U.S. Registered Trademark
© 2009 Honeywell International Inc.
62-0287—03 K.K. 02-09



Printed in U.S.A. on recycled paper containing at least 10% post-consumer paper fibers.

Free Manuals Download Website

<http://myh66.com>

<http://usermanuals.us>

<http://www.somanuals.com>

<http://www.4manuals.cc>

<http://www.manual-lib.com>

<http://www.404manual.com>

<http://www.luxmanual.com>

<http://aubethermostatmanual.com>

Golf course search by state

<http://golfingnear.com>

Email search by domain

<http://emailbydomain.com>

Auto manuals search

<http://auto.somanuals.com>

TV manuals search

<http://tv.somanuals.com>