



Deluge • Preaction Control
MRP-2001 & MRP-2001E
Installation, Operation and Programming Manual

Document	#53040	A
4/16/07	Revision:	

Fire Alarm System Limitations

An automatic fire alarm system—typically made up of smoke detectors, heat detectors, manual pull stations, audible warning devices, and a fire alarm control panel with remote notification capability—can provide early warning of a developing fire. Such a system, however, does not assure protection against property damage or loss of life resulting from a fire.

The Manufacturer recommends that smoke and/or heat detectors be located throughout a protected premise following the recommendations of the current edition of the National Fire Protection Association Standard 72 (NFPA 72), manufacturer's recommendations, State and local codes, and the recommendations contained in the Guides for Proper Use of System Smoke Detectors, which are made available at no charge to all installing dealers. These documents can be found at <http://www.systemsensor.com/html/applicat.html>. A study by the Federal Emergency Management Agency (an agency of the United States government) indicated that smoke detectors may not go off in as many as 35% of all fires. While fire alarm systems are designed to provide early warning against fire, they do not guarantee warning or protection against fire. A fire alarm system may not provide timely or adequate warning, or simply may not function, for a variety of reasons:

Smoke detectors may not sense fire where smoke cannot reach the detectors such as in chimneys, in or behind walls, on roofs, or on the other side of closed doors. Smoke detectors also may not sense a fire on another level or floor of a building. A second-floor detector, for example, may not sense a first-floor or basement fire.

Particles of combustion or "smoke" from a developing fire may not reach the sensing chambers of smoke detectors because:

- Barriers such as closed or partially closed doors, walls, or chimneys may inhibit particle or smoke flow.
- Smoke particles may become "cold," stratify, and not reach the ceiling or upper walls where detectors are located.
- Smoke particles may be blown away from detectors by air outlets.
- Smoke particles may be drawn into air returns before reaching the detector.

The amount of "smoke" present may be insufficient to alarm smoke detectors. Smoke detectors are designed to alarm at various levels of smoke density. If such density levels are not created by a developing fire at the location of detectors, the detectors will not go into alarm.

Smoke detectors, even when working properly, have sensing limitations. Detectors that have photoelectronic sensing chambers tend to detect smoldering fires better than flaming fires, which have little visible smoke. Detectors that have ionizing-type sensing chambers tend to detect fast-flaming fires better than smoldering fires. Because fires develop in different ways and are often unpredictable in their growth, neither type of detector is necessarily best and a given type of detector may not provide adequate warning of a fire.

Smoke detectors cannot be expected to provide adequate warning of fires caused by arson, children playing with matches (especially in bedrooms), smoking in bed, and violent explosions (caused by escaping gas, improper stor-

While a fire alarm system may lower insurance rates, it is not a substitute for fire insurance!

age of flammable materials, etc.).

Heat detectors do not sense particles of combustion and alarm only when heat on their sensors increases at a predetermined rate or reaches a predetermined level. Rate-of-rise heat detectors may be subject to reduced sensitivity over time. For this reason, the rate-of-rise feature of each detector should be tested at least once per year by a qualified fire protection specialist. *Heat detectors are designed to protect property, not life.*

IMPORTANT! Smoke detectors must be installed in the same room as the control panel and in rooms used by the system for the connection of alarm transmission wiring, communications, signaling, and/or power. If detectors are not so located, a developing fire may damage the alarm system, crippling its ability to report a fire.

Audible warning devices such as bells may not alert people if these devices are located on the other side of closed or partly open doors or are located on another floor of a building. Any warning device may fail to alert people with a disability or those who have recently consumed drugs, alcohol or medication. Please note that:

- Strobes can, under certain circumstances, cause seizures in people with conditions such as epilepsy.
- Studies have shown that certain people, even when they hear a fire alarm signal, do not respond or comprehend the meaning of the signal. It is the property owner's responsibility to conduct fire drills and other training exercise to make people aware of fire alarm signals and instruct them on the proper reaction to alarm signals.
- In rare instances, the sounding of a warning device can cause temporary or permanent hearing loss.

A fire alarm system will not operate without any electrical power. If AC power fails, the system will operate from standby batteries only for a specified time and only if the batteries have been properly maintained and replaced regularly.

Equipment used in the system may not be technically compatible with the control. It is essential to use only equipment listed for service with your control panel.

Telephone lines needed to transmit alarm signals from a premise to a central monitoring station may be out of service or temporarily disabled. For added protection against telephone line failure, backup radio transmission systems are recommended.

The most common cause of fire alarm malfunction is inadequate maintenance. To keep the entire fire alarm system in excellent working order, ongoing maintenance is required per the manufacturer's recommendations, and UL and NFPA standards. At a minimum, the requirements of NFPA 72 shall be followed. Environments with large amounts of dust, dirt or high air velocity require more frequent maintenance. A maintenance agreement should be arranged through the local manufacturer's representative. Maintenance should be scheduled monthly or as required by National and/or local fire codes and should be performed by authorized professional fire alarm installers only. Adequate written records of all inspections should be kept.

Installation Precautions

WARNING - Several different sources of power can be connected to the fire alarm control panel. Disconnect all sources of power before servicing. Control unit and associated equipment may be damaged by removing and/or inserting cards, modules, or interconnecting cables while the unit is energized. Do not attempt to install, service, or operate this unit until this manual is read and understood.

CAUTION - *System Reacceptance Test after Software Changes*. To ensure proper system operation, this product must be tested in accordance with NFPA 72 after any programming operation or change in site-specific software. Reacceptance testing is required after any change, addition or deletion of system components, or after any modification, repair or adjustment to system hardware or wiring.

All components, circuits, system operations, or software functions known to be affected by a change must be 100% tested. In addition, to ensure that other operations are not inadvertently affected, at least 10% of initiating devices that are not directly affected by the change, up to a maximum of 50 devices, must also be tested and proper system operation verified.

This system meets NFPA requirements for indoor dry operation at 0-49° C/32-120° F and at a relative humidity of 93 ±2% RH (non-condensing) at 32 ±2° C/90 ±3° F. However, the useful life of the system's standby batteries and the electronic components may be adversely affected by extreme temperature ranges and humidity. Therefore, it is recommended that this system and all peripherals be installed in an environment with a nominal room temperature of 15-27° C/60-80° F.

Verify that wire sizes are adequate for all initiating and indicating device loops. Refer to manual Specifications section for maximum allowable I.R. drop from the specified device voltage.

Adherence to the following will aid in problem-free installation with long-term reliability:

Like all solid state electronic devices, this system may operate erratically or can be damaged when subjected to lightning-induced transients. Although no system is completely immune from lightning transients and interferences, proper grounding will reduce susceptibility. *Overhead or outside aerial wiring is not recommended, due to an increased susceptibility to nearby lightning strikes.* Consult with the Technical Services Department if any problems are anticipated or encountered.

Disconnect AC power and batteries prior to removing or inserting circuit boards. Failure to do so can damage circuits.

Remove all electronic assemblies prior to any drilling, filing, reaming, or punching of the enclosure. When possible, make all cable entries from the sides or rear. Before making modifications, verify that they will not interfere with battery, transformer, and printed circuit board location.

Do not tighten screw terminals more than 9 in-lbs. Over-tightening may damage threads, resulting in reduced terminal contact pressure and difficulty with screw terminal removal.

This system contains static-sensitive components. Always ground yourself with a proper wrist strap before handling any circuits so that static charges are removed from the body. Use static-suppressive packaging to protect electronic assemblies removed from the unit.

Follow the instructions in the installation, operating, and programming manuals. These instructions must be followed to avoid damage to the control panel and associated equipment. FACP operation and reliability depend upon proper installation by authorized personnel.

FCC Warning

WARNING: This equipment generates, uses, and can radiate radio frequency energy and if not installed and used in accordance with the instruction manual, may cause interference to radio communications. It has been tested and found to comply with the limits for class A computing device pursuant to Subpart B of Part 15 of FCC Rules, which is designed to provide reasonable protection against such interference when operated in a commercial environment. Operation of this equipment in a residential area is likely to cause interference, in which case the user will be required to correct the interference at their own expense.

Canadian Requirements

This digital apparatus does not exceed the Class A limits for radiation noise emissions from digital apparatus set out in the Radio Interference Regulations of the Canadian Department of Communications.

Le présent appareil numérique n'émet pas de bruits radioélectriques dépassant les limites applicables aux appareils numériques de la classe A prescrites dans le Règlement sur le brouillage radioélectrique édicté par le ministère des Communications du Canada.

Table of Contents

SECTION 1: Product Description	11
1.1: Product Features	11
1.2: Specifications	13
1.3: Controls and Indicators.....	14
1.4: Components.....	15
1.5: Optional Modules and Accessories	16
SECTION 2: Installation	17
2.1: Backbox Mounting	17
2.2: Operating Power	20
2.3: Input Circuits	21
2.4: Output Circuits	23
2.4.1: Outputs/Notification Appliance/Releasing Circuits.....	23
2.4.2: Special Application DC Power Output Connections	24
2.4.3: Relays - Programmable	24
2.5: Power-limited Wiring Requirements.....	25
2.6: Installation of Optional Modules.....	26
2.6.1: CAC-5X Class A Converter Module	26
2.6.1.1 Installation	26
2.6.1.2 Wiring NACs and IDCs for Class A	27
2.6.2: 4XTMF Municipal Box Transmitter Option Module.....	28
2.6.2.1 4XTMF Transmitter Module Installation	29
2.7: ANN-BUS Devices	30
2.7.1: ANN-BUS Wiring.....	30
2.7.1.1 Calculating Wiring Distance for ANN-BUS Modules	30
2.7.1.2 Wiring Configuration	32
2.7.1.3 Powering ANN-BUS Devices from Auxiliary Power Supply	33
2.7.2: ANN-BUS Device Addressing.....	33
2.7.3: ANN-80 Remote LCD Annunciator	34
2.7.4: Specifications	34
2.7.5: Installation	34
2.7.5.1 Mounting	34
2.7.5.2 Opening/Closing Annunciator	34
2.7.5.3 Wiring ANN-80 to FACP	35
2.7.6: ANN-S/PG Serial/Parallel Printer Interface Installation.....	37
2.7.6.1 Specifications	37
2.7.6.2 PRN-6 Printer Installation	37
2.7.6.2.1 Connecting PRN-6 Printer	38
2.7.6.2.2 Setting Printer Options	38
2.7.7: ANN-I/O LED Driver Module.....	39
2.7.7.1 ANN-I/O Board Layout	39
2.7.7.2 Specifications	39
2.7.7.3 ANN-I/O Connection to FACP	40
2.7.7.4 ANN-I/O Module LED Wiring	41
2.7.8: ANN-LED Annunciator Module.....	41
2.7.8.1 ANN-LED Board Layout	42
2.7.8.2 Specifications	42
2.7.8.3 Mounting/Installation	42
2.7.8.4 ANN-LED Connection to FACP	43
2.7.9: ANN-RLY Relay Module.....	44
2.7.9.1 ANN-RLY Board Layout	44
2.7.9.2 Specifications	44
2.7.9.3 Mounting/Installation	44
2.7.9.4 ANN-RLY Connection to FACP	45
SECTION 3: Programming	46
3.1: User Programming.....	46

Table of Contents

3.2: Initial Power-up	47
3.3: Programming Screens Description	47
3.4: Programming and Passwords	48
3.5: Master Programming Level	49
3.5.1: FACP CONFIG (Application Templates)	50
3.5.2: Input Zones	50
3.5.3: Output Circuits	57
3.5.3.1 Enabled	58
3.5.3.2 Type	58
3.5.3.2.1 Release Circuit 1 or Release Circuit 2	58
3.5.3.2.2 Release Stage NAC	59
3.5.3.3 Silence	59
3.5.3.4 Auto Silence	60
3.5.3.5 Silence Inhibited	60
3.5.3.6 Coding	61
3.5.3.6.1 Synchronized NAC Operation	62
3.5.4: Cross Input Zones	63
3.5.5: On-Board Relays	64
3.5.6: System Setup	64
3.5.6.1 Timers	65
3.5.6.1.1 Soak 1 or Soak 2	66
3.5.6.1.2 Waterflow Delay	66
3.5.6.1.3 AC Loss Delay	67
3.5.6.2 Banner	67
3.5.6.3 Time-Date	68
3.5.6.3.1 Time	69
3.5.6.3.2 Date	69
3.5.6.3.3 Clock Format	69
3.5.6.3.4 Daylight Savings Time	70
3.5.6.4 Trouble Reminder	70
3.5.6.5 Charger Disable	70
3.5.7: ANN-BUS	71
3.5.7.1 ANN-BUS Enabled	71
3.5.7.2 ANN-BUS Modules	72
3.5.7.3 Auto-Configure	73
3.5.7.4 ANN-S/PG Options	73
3.5.7.5 ANN-I/O LED Zone Assignments	75
3.5.7.6 ANN-80 Options	76
3.5.7.7 ANN-RLY Options	77
3.5.8: History	78
3.5.8.1 View Events	78
3.5.8.2 Erase History	78
3.5.9: Walktest	79
3.5.10: Clear Program	80
3.5.11: Password Change	80
3.6: Maintenance Programming Level	81
3.6.1: Input Zones - Enable/Disable	82
3.6.2: History	82
3.6.3: Walktest	83
3.6.4: Time-Date	84
SECTION 4: Operating Instructions	85
4.1: Panel Control Buttons	85
4.1.1: Acknowledge/Step	85
4.1.2: Alarm Silenced	85
4.1.3: Drill/Hold 2 Sec	85

Table of Contents

4.1.4: Reset	85
4.2: Indicators	86
4.3: Normal Operation	86
4.4: Trouble Operation	87
4.5: Alarm Operation	88
4.6: Supervisory Operation	89
4.7: Disable/Enable Operation	89
4.8: Waterflow Circuits Operation	89
4.9: 2nd-Shot Water Switch	90
4.10: Detector Functions	90
4.11: Time Functions: Real-Time Clock	90
4.12: Coded NAC Operation	90
4.13: Release Stages	91
4.14: Special System Timers	91
4.14.1: Silence Inhibit Timer	91
4.14.2: Autosilence Timer	91
4.14.3: Trouble Reminder	91
4.14.4: Soak Timers	91
4.14.5: Waterflow Delay Timer	91
4.15: Walktest	91
4.16: Read Status	92
4.16.1: FACP Configuration	93
4.16.2: Input Zones	93
4.16.3: Output Circuits	94
4.16.4: Cross Input Zones	94
4.16.5: On-Board Relays	95
4.16.6: System Settings	95
4.16.7: Timers	96
4.16.8: Daylight Savings	96
4.16.9: History	97
4.16.10: ANN-S/PG	97
4.16.11: ANN-BUS	98
SECTION 5: Power Supply Calculations	99
5.1: Overview	99
5.2: Calculating the AC Branch Circuit	99
5.3: Calculating the System Current Draw	100
5.3.1: Overview	100
5.3.2: How to Use Table 5-3 on page 101 to Calculate System Current Draw	100
5.4: Calculating the Battery Size	102
5.4.1: NFPA Battery Requirements	102
5.4.2: Selecting and Locating Batteries	102
APPENDIX A: Circuit Mapping and Cross-Zoning	103
A.1: Input-to-Output Circuit Mapping and Cross-Zone Operation	103
A.1.1: Mapping Input Zones to Output Circuits for Direct Activation	104
A.1.2: Mapping Input Zones to Release Circuits for Cross Zone Activation	105
A.1.3: Complex Examples of Cross Zoning and I/O Mapping for Release Circuits	107
APPENDIX B: FACP Configuration Templates	108
B.1: Template 7: Single Hazard - 3 Zone	109
B.2: Template 8: Single Hazard - Cross-Zone With Manual Release	110
B.3: Template 9: Dual Hazard - Combined Release	111
B.4: Template 10: Dual Hazard - Split Release	112
B.5: Template 11: Single Hazard - 3 Zones and Low Pressure	113

Table of Contents

B.6: Template 12: Single Hazard - 2 Zones Cross-Zoned With All Active 114
B.7: Template 13: Single Hazard - Dual Zone 115
APPENDIX C: NFPA Standard-Specific Requirements 116
C.1: NFPA 72 Auxiliary Fire Alarm System 119
C.2: Central Station/Remote Station Transmitter:
 Connection to FACP Dry Contacts 122
APPENDIX D: FACP with Keltron 123
APPENDIX E: Testing & Maintenance 124
E.1: Testing 124
 E.1.1: Inspection 124
 E.1.2: Alarm Test 124
 5.4.3: Detector Testing 124
E.2: Maintenance 125

Notes

It is imperative that the installer understand the requirements of the Authority Having Jurisdiction (AHJ) and be familiar with the standards set forth by the following regulatory agencies:

- Underwriters Laboratories Standards
- NFPA 72 National Fire Alarm Code
- CAN/ULC - S527-99 Standard for Control Units for Fire Alarm Systems

Before proceeding, the installer should be familiar with the following documents.



NFPA Standards

This Fire Alarm Control Panel complies with the following NFPA Standards:

NFPA 13 Installation of Sprinkler Systems
NFPA 15 Water Spray Fixed Systems
NFPA 16 Deluge Foam-Water Sprinkler and Foam-Water Spray Systems
NFPA 72 National Fire Alarm Code for Local Fire Alarm Systems and Remote Station Fire Alarm Systems (requires an optional Remote Station Output Module)



Underwriters Laboratories Documents for Reference:

UL 38 Manually Actuated Signaling Boxes
UL 217 Smoke Detectors, Single and Multiple Station
UL 228 Door Closers-Holders for Fire Protective Signaling Systems
UL 268 Smoke Detectors for Fire Protective Signaling Systems
UL 268A Smoke Detectors for Duct Applications
UL 346 Waterflow Indicators for Fire Protective Signaling Systems
UL 464 Audible Signaling Appliances
UL 521 Heat Detectors for Fire Protective Signaling Systems
UL 864 Standard for Control Units for Fire Protective Signaling Systems
UL 1481 Power Supplies for Fire Protective Signaling Systems
UL 1638 Visual Signaling Appliances
UL 1971 Signaling Devices for Hearing Impaired



CAN/ULC - S524-01 Standard for Installation of Fire Alarm Systems

Other:

NEC Article 250 Grounding
NEC Article 300 Wiring Methods
NEC Article 760 Fire Protective Signaling Systems
Applicable Local and State Building Codes
Requirements of the Local Authority Having Jurisdiction (LAHJ)

Fire•Lite Documents

Fire•Lite Device Compatibility Document	Document #15384
411UD Manual	Document #50759
411UDAC Manual	Document #51073

This product has been certified to comply with the requirements in the Standard for Control Units and Accessories for Fire Alarm Systems, UL 864, 9th Edition. Operation of this product with products not tested for UL 864, 9th Edition has not been evaluated. Such operation requires the approval of the local Authority Having Jurisdiction (AHJ).

Main Circuit Board

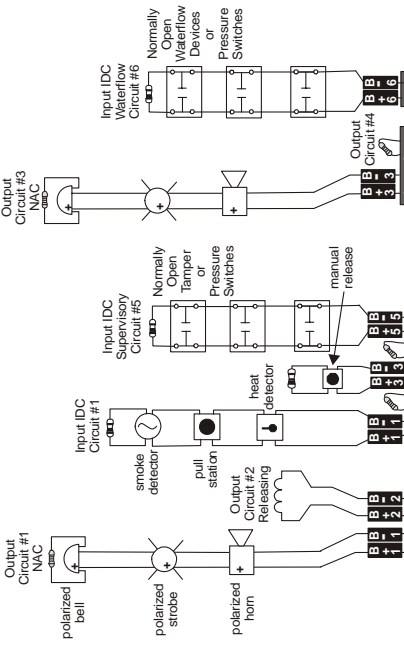
Basic System Connections

In this example NAC Output Circuits #1, #3 & #4, Style Y (Class B) (Supervised, Power Limited - Class 2) NAC Output Circuit #2 (Releasing) is Style X (Class B) (Supervised, Non-Power-Limited, Class 1) 3.0 amps max. per circuit. (See Style Z illustrated near right edge of board).

Output Circuits - TB5 & TB7

Special Application Power

Output Circuit #1
Output Circuit #3
Output Circuit #4
Output Circuit #5
Output Circuit #6



Input Initiating Device Circuit - TB4 & TB6

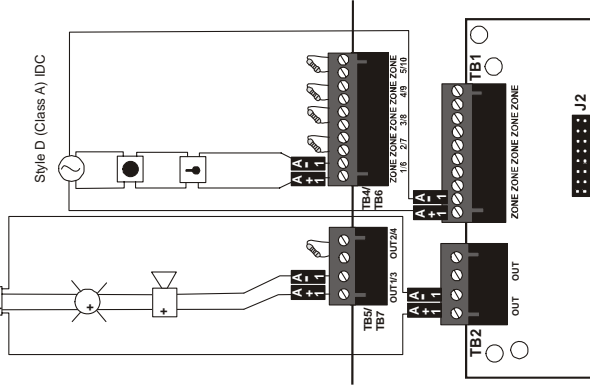
IDCs 1 through 6, Style B (Class B) (Supervised, Power Limited, Class 2) (See Style D illustrated near right edge of board).

3 Programmable Relays

Nonsupervised relay contacts
Contact Ratings:
2.0 amps @ 30 VDC (resistive)
0.5 amps @ 30 VAC (resistive)
Contacts shown below in normal condition (AC power with no alarm, trouble or supervisory activity).
A Fail Safe Trouble NO/NC relay switches to the NC position during trouble conditions and under loss of all power.
(*Factory default relay programming)

Dummy load all unused circuits with 4.7K Ω , 1/2 watt End-of-Line resistors

Style Z (Class A) NAC



Important! Removing Ground Fault Disable Jumper JP43 voids UL/NFPA Style/Class identifications for circuits. Remove jumper JP43 only with the approval of the AHU (Authority Having Jurisdiction).

Special Application DC Power Outputs (24 VDC)

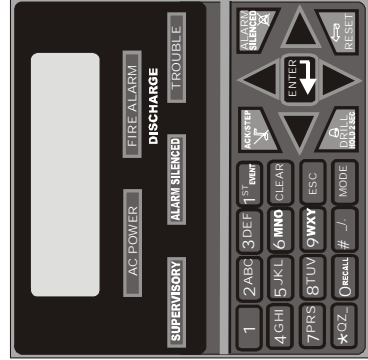
Nonsupervised, power-limited circuits (Class 2) Supervise with a power supervision relay EOLR-1

- Resettable Power - 24 VDC filtered, power-limited, Class 2 (0.500 amps maximum) to smoke detectors (IDC). Supervise with a power supervision relay EOLR-1
- Nonresettable or Resettable Power - Jumper selectable by JP31, 24 VDC filtered, power-limited, Class 2 (0.500 amps maximum) Supervise with a power supervision relay EOLR-1. Nonresettable Power suitable for powering annunciators, Resettable Power suitable for powering smoke detectors. Configure TB9, Terminals 1 & 2 as Resettable Power - jumper JP31 pins 1 & 2
- Nonresettable Power - jumper JP31 pins 1 & 2 (as shown).

For more specific UL wiring information refer to page 35.

Power Supply Connector J15

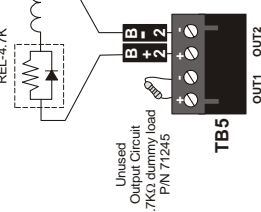
BATTERY
24 VDC supervised, nonpower-limited,
26 Amp Hour maximum



Remove jumper JP43 to disable Ground Fault Detection circuit (only with approval of AHU).

Cut this jumper to supervise the 4XTMF module when installed (see J4 & J5)

Class A Converter Module
Releasing Circuit
(Supervised, Power-Limited, Class 2)
REL-4.7K



Auxiliary Trouble Input
J6 (unsupervised)



Unused Output Circuit
4.7K Ω dummy load
PIN 71245



Unused Output Circuit
4.7K Ω dummy load
PIN 71245



Unused Output Circuit
4.7K Ω dummy load
PIN 71245



Unused Output Circuit
4.7K Ω dummy load
PIN 71245



Unused Output Circuit
4.7K Ω dummy load
PIN 71245



Unused Output Circuit
4.7K Ω dummy load
PIN 71245



Unused Output Circuit
4.7K Ω dummy load
PIN 71245



Unused Output Circuit
4.7K Ω dummy load
PIN 71245



Unused Output Circuit
4.7K Ω dummy load
PIN 71245



Unused Output Circuit
4.7K Ω dummy load
PIN 71245



Unused Output Circuit
4.7K Ω dummy load
PIN 71245



Unused Output Circuit
4.7K Ω dummy load
PIN 71245



Unused Output Circuit
4.7K Ω dummy load
PIN 71245



Unused Output Circuit
4.7K Ω dummy load
PIN 71245



Unused Output Circuit
4.7K Ω dummy load
PIN 71245



Unused Output Circuit
4.7K Ω dummy load
PIN 71245



Unused Output Circuit
4.7K Ω dummy load
PIN 71245



Unused Output Circuit
4.7K Ω dummy load
PIN 71245



Unused Output Circuit
4.7K Ω dummy load
PIN 71245



Unused Output Circuit
4.7K Ω dummy load
PIN 71245



Unused Output Circuit
4.7K Ω dummy load
PIN 71245



Unused Output Circuit
4.7K Ω dummy load
PIN 71245



Unused Output Circuit
4.7K Ω dummy load
PIN 71245



Unused Output Circuit
4.7K Ω dummy load
PIN 71245



Unused Output Circuit
4.7K Ω dummy load
PIN 71245



Unused Output Circuit
4.7K Ω dummy load
PIN 71245



Unused Output Circuit
4.7K Ω dummy load
PIN 71245



Unused Output Circuit
4.7K Ω dummy load
PIN 71245



Unused Output Circuit
4.7K Ω dummy load
PIN 71245



Unused Output Circuit
4.7K Ω dummy load
PIN 71245



Unused Output Circuit
4.7K Ω dummy load
PIN 71245



Unused Output Circuit
4.7K Ω dummy load
PIN 71245



Unused Output Circuit
4.7K Ω dummy load
PIN 71245



Unused Output Circuit
4.7K Ω dummy load
PIN 71245



Unused Output Circuit
4.7K Ω dummy load
PIN 71245



Unused Output Circuit
4.7K Ω dummy load
PIN 71245



Unused Output Circuit
4.7K Ω dummy load
PIN 71245



Unused Output Circuit
4.7K Ω dummy load
PIN 71245



Unused Output Circuit
4.7K Ω dummy load
PIN 71245



Unused Output Circuit
4.7K Ω dummy load
PIN 71245



Unused Output Circuit
4.7K Ω dummy load
PIN 71245



Unused Output Circuit
4.7K Ω dummy load
PIN 71245



Unused Output Circuit
4.7K Ω dummy load
PIN 71245



Unused Output Circuit
4.7K Ω dummy load
PIN 71245



Unused Output Circuit
4.7K Ω dummy load
PIN 71245



Unused Output Circuit
4.7K Ω dummy load
PIN 71245



Unused Output Circuit
4.7K Ω dummy load
PIN 71245



Unused Output Circuit
4.7K Ω dummy load
PIN 71245



Unused Output Circuit
4.7K Ω dummy load
PIN 71245



Unused Output Circuit
4.7K Ω dummy load
PIN 71245



Unused Output Circuit
4.7K Ω dummy load
PIN 71245



Unused Output Circuit
4.7K Ω dummy load
PIN 71245



Unused Output Circuit
4.7K Ω dummy load
PIN 71245



Unused Output Circuit
4.7K Ω dummy load
PIN 71245



Unused Output Circuit
4.7K Ω dummy load
PIN 71245



Unused Output Circuit
4.7K Ω dummy load
PIN 71245



Unused Output Circuit
4.7K Ω dummy load
PIN 71245



Unused Output Circuit
4.7K Ω dummy load
PIN 71245



Unused Output Circuit
4.7K Ω dummy load
PIN 71245



Unused Output Circuit
4.7K Ω dummy load
PIN 71245



Unused Output Circuit
4.7K Ω dummy load
PIN 71245



Unused Output Circuit
4.7K Ω dummy load
PIN 71245



Unused Output Circuit
4.7K Ω dummy load
PIN 71245



Unused Output Circuit
4.7K Ω dummy load
PIN 71245



Unused Output Circuit
4.7K Ω dummy load
PIN 71245



Unused Output Circuit
4.7K Ω dummy load
PIN 71245



Unused Output Circuit
4.7K Ω dummy load
PIN 71245



Unused Output Circuit
4.7K Ω dummy load
PIN 71245



Unused Output Circuit
4.7K Ω dummy load
PIN 71245



Unused Output Circuit
4.7K Ω dummy load
PIN 71245



Unused Output Circuit
4.7K Ω dummy load
PIN 71245



Unused Output Circuit
4.7K Ω dummy load
PIN 71245



Unused Output Circuit
4.7K Ω dummy load
PIN 71245



Unused Output Circuit
4.7K Ω dummy load
PIN 71245



Unused Output Circuit
4.7K Ω dummy load
PIN 71245



Unused Output Circuit
4.7K Ω dummy load
PIN 71245



Unused Output Circuit
4.7K Ω dummy load
PIN 71245



Unused Output Circuit
4.7K Ω dummy load
PIN 71245



Unused Output Circuit
4.7K Ω dummy load
PIN 71245



Unused Output Circuit
4.7K Ω dummy load
PIN 71245



Unused Output Circuit
4.7K Ω dummy load
PIN 71245



Unused Output Circuit
4.7K Ω dummy load
PIN 71245



Unused Output Circuit
4.7K Ω dummy load
PIN 71245



Unused Output Circuit
4.7K Ω dummy load
PIN 71245



Unused Output Circuit
4.7K Ω dummy load
PIN 71245



Unused Output Circuit
4.7K Ω dummy load
PIN 71245



Unused Output Circuit
4.7K Ω dummy load
PIN 71245



Unused Output Circuit
4.7K Ω dummy load
PIN 71245

SECTION 1 Product Description

The MRP-2001 is a six zone FACP for single and dual hazard deluge and preaction applications. The FACP provides reliable fire detection, signaling and protection for commercial, industrial and institutional buildings requiring water-based releasing. The FACP is compatible with System Sensor's i^3 detectors which are conventional smoke detectors that can transmit a maintenance trouble signal to the FACP indicating the need for cleaning and a supervisory 'freeze' signal when the ambient temperature falls below the detector rating of approximately 45° F (refer to System Sensor for i^3 Installation and Maintenance Instructions). In addition, the control panel is compatible with conventional input devices such as two-wire smoke detectors, four-wire smoke detectors, pull stations, waterflow devices, tamper switches and other normally-open contact devices. Refer to Device Compatibility Document for a complete listing of compatible devices.

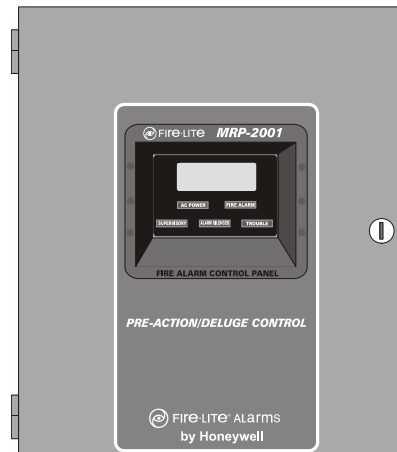
Four outputs are programmable as NACs (Notification Appliance Circuits) or releasing solenoids. Three programmable Form-C relays (factory programmed for Alarm, Trouble and Supervisory) and 24 VDC special application resettable and nonresettable power outputs are also included on the main circuit board. The FACP supervises all wiring, AC voltage, battery charger and battery level.

Activation of a compatible smoke detector or any normally-open fire alarm initiating device will activate audible and visual signaling devices, illuminate an indicator, display alarm information on the panel's LCD, sound the piezo sounder at the FACP, activate the FACP alarm relay and operate an optional module used to notify a remote station or initiate an auxiliary control function.

The MRP-2001E offers the same features as the MRP-2001 but allows connection to 220/240 VAC. Unless otherwise specified, the information in this manual applies to both the 110/120 VAC and 220/240 VAC versions of the panels.

1.1 Product Features

- Six programmable Style B (Class B) IDCs (Initiating Device Circuit)
- Four programmable Style Y (Class B) output circuits - (special application power)
- Three programmable Form-C relays
- 7.0 amps total 24 VDC output current
- Resettable and non-resettable output power
- Built-in Programmer
- ANN-BUS for connection to optional:
 - ✓ ANN-80 Remote LCD Annunciator
 - ✓ ANN-I/O LED Driver
 - ✓ ANN-S/PG Printer Module
 - ✓ ANN-RLY Relay Module
 - ✓ ANN-LED Annunciator Module
- 80-character LCD display (backlit)
- Real-time clock/calendar with daylight savings time control
- History log with 256 event storage



- Control Buttons
 - ✓ ACK (Acknowledge)
 - ✓ Alarm Silence
 - ✓ System Reset/Lamp Test
 - ✓ Drill
- Indicators
 - ✓ Fire Alarm
 - ✓ Supervisory
 - ✓ Trouble
 - ✓ AC Power
 - ✓ Alarm Silence
 - ✓ Discharge
- Piezo sounder for alarm, trouble and supervisory
- 24 volt operation
- Low AC voltage sense
- Outputs Programmable for:
 - ✓ Releasing Solenoids
 - ✓ NACs programmable for:
 - Silence Inhibit
 - Auto-Silence
 - Strobe Synchronization (System Sensor, Wheelock, Gentex, Faraday, Amseco)
 - Selective Silence (horn-strobe mute)
 - Temporal or Steady Signal
 - Silenceable or Nonsilenceable
 - Release Stage Sounder
- Designed for sprinkler standards NFPA 13, 15 and 16
- Disable/Enable control per input zone and output zone
- Extensive transient protection
- Dual hazard operation
- Adjustable waterflow discharge timer and two soak timers
- Cross-zone (double-interlock) capability
- Pre-programmed and custom application templates
- Automatic battery charger with charger supervision
- Silent or audible walktest capabilities
- Optional Dress Panel DP-51050 (red)
- Optional Trim Ring TR-CE (red) for semi-flush mounting the cabinet
- Optional CAC-5X Class A Converter Module for Outputs and IDCs
- Optional 4XTMF Municipal Box Transmitter Module
- Optional Digital Alarm Communicators (411, 411UD, 411UDAC)

1.2 Specifications

AC Power

MRP-2001: 120 VAC, 60 Hz, 3.66 amps
MRP-2001E: 240 VAC, 50 Hz, 2.085 amps
Wire size: minimum #14 AWG (2.0 mm²) with 600V insulation
Supervised, nonpower-limited

Battery (sealed lead acid only) - J12

Maximum Charging Circuit - Normal Flat Charge: 27.6 VDC @ 1.4 amp
Supervised, nonpower-limited
Maximum Charger Capacity: 26 Amp Hour battery (two 18 Amp Hour batteries can be housed in the FACP cabinet. Larger batteries require separate battery box such as the BB-26 or BB-55)
Minimum Battery Size: 7 Amp Hour

Initiating Device Circuits - TB4 and TB6

Alarm Zones 1 - 5 on TB 4
Alarm Zone 6 on TB6
Supervised and power-limited circuitry
Operation: All zones Style B (Class B)
Normal Operating Voltage: Nominal 20 VDC
Alarm Current: 15 mA minimum
Short Circuit Current: 40 mA max.
Maximum Loop Resistance: 100 ohms
End-of-Line Resistor: 4.7K Ω , 1/2 watt (Part #71252)
Standby Current: 2 mA
Refer to the Device Compatibility Document for listed compatible devices

Notification Appliance and Releasing Circuit(s) - TB5 and TB7¹

Four Output Circuits
Operation: Style Y (Class B)
Special Application power
Supervised and power-limited circuitry
Normal Operating Voltage: Nominal 24 VDC
Maximum Signaling Current: 7.0 amps (3.0 amps maximum per NAC)
End-of-Line Resistor: 4.7K Ω , 1/2 watt (Part #71252)
Max. Wiring Voltage Drop: 1.5 VDC
Refer to the Device Compatibility Document for compatible listed devices

Form-C Relays - Programmable - TB8

Relay 1 (factory default programmed as Alarm Relay)
Relay 2 (factory default programmed as fail-safe Trouble Relay)
Relay 3 (factory default programmed as Supervisory Relay)
Relay Contact Ratings: 2 amps @ 30 VDC (resistive) and 0.5 amps @ 30 VAC (resistive)

Auxiliary Trouble Input

The Auxiliary Trouble Input is an open collector, unsupervised circuit which can be used to monitor external devices for trouble conditions. It can be connected to the trouble bus of a peripheral, such as a power supply, which is compatible with open collector circuits.
All connections must be in conduit, less than 20 ft. (610 cm) in length in the same room.

Special Application Resettable Power - TB9

Operating Voltage: Nominal 24 VDC
Maximum Available Current: 500 mA - appropriate for powering 4-wire smoke detectors (see note 1)
Power-limited Circuitry
Refer to the Device Compatibility Document for compatible listed devices

-
1. Total current for resettable power, nonresettable power and Output Circuits must not exceed 7.0 amps.

Special Application Resettable or Nonresettable Power - TB9

Operating Voltage: Nominal 24 VDC

Maximum Available Current: 500 mA (see note 1)

Power-limited Circuitry

Jumper selectable by JP31 for resettable or nonresettable power:

- ✓ Jumper pins 1 & 2 on JP31 for nonresettable power
- ✓ Jumper pins 2 & 3 on JP31 for resettable power

Refer to the Device Compatibility Document for compatible listed devices

1.3 Controls and Indicators**LCD Display**

The FACP uses an 80-character (4 lines X 20 characters) high viewing angle LCD display. The display includes a long life LED backlight that remains illuminated. If AC power is lost and the system is not in alarm, the LED backlight will turn off to conserve batteries.

**Key Panel**

Mounted on the main circuit board, the key panel includes a window for the LCD display and indicators as listed above. The key panel, which is visible with the cabinet door closed, has 25 keys, including a 16 key alpha-numeric pad similar to a telephone keypad.

Function keys:

- Acknowledge/Step
- Alarm Silence
- Drill
- System Reset (lamp test)

Service/program keys:

- Keys labeled 1 to 9
- * key
- # key
- 0 (recall) key
- 1st Event key
- Clear key
- Escape key
- Mode key
- Four cursor keys (up, down, left and right)
- Enter key

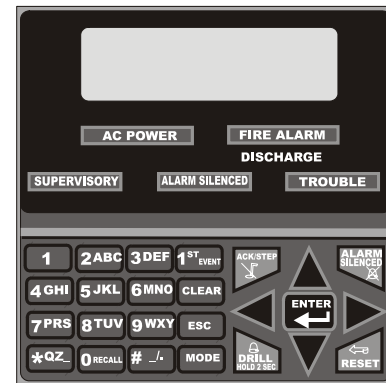


Figure 1.1 Membrane/Display Panel

MRP2001keypad.cdr

Local Piezo Sounder

A piezo sounder provides separate and distinct pulse rates for alarm, trouble and supervisory conditions.

Indicators

Indicators are provided to annunciate the following conditions:

- Fire Alarm - red indicator
- Supervisory - yellow indicator
- AC Power - green indicator
- System Trouble - yellow indicator
- Alarm Silence - yellow indicator
- Discharge - red indicator

Local Piezo Sounder

A piezo sounder provides separate and distinct sounds for alarm, trouble, maintenance and supervisory conditions as follows:

- Alarm - on steady
- Trouble - pulse 1 second on and 1 second off
- Maintenance - pulse ½ second on and ½ second off
- Supervisory - pulse ½ second on and ½ second off

1.4 Components

Main Circuit Board

The main circuit board contains the system's CPU and other primary components and wiring interface connectors. Optional modules plug in and are mounted to the main circuit board.

Power Supply

One FLPS-7 power supply is provided standard with each FACP, mounted to a chassis.

Cabinet

The backbox measures 16.65" (42.29 cm) x 19.0" (48.26 cm) x 5.207" (13.23 cm) and provides space for two batteries (up to 18 Amp Hours). Also available is an optional dress panel (DP-51050 [red]) and supplied standard with Canadian versions only, DP-51050LED for mounting ANN-LED annunciator modules) which mounts inside the cabinet and trim-ring (TR-CE [red]).

Batteries

The cabinet provides space for two 18 Amp Hour batteries (larger batteries require use of a UL listed battery box such as the BB-26 or BB-55). Batteries must be ordered separately.

1.5 Optional Modules and Accessories

CAC-5X Class A Converter Module

The CAC-5X Module can be used to convert the Style B (Class B) Initiating Device Circuits to Style D (Class A) and Style Y (Class B) Output Circuits to Style Z (Class A). The modules connect to J2 and J7 on the FACP main circuit board. Note that two Class A Converter modules are required to convert all six Output Circuits and four Initiating Device Circuits.

4XTMF Transmitter Module

The 4XTMF provides a supervised output for local energy municipal box transmitter and alarm and trouble reverse polarity. It includes a disable switch and disable trouble LED. A module jumper option allows the reverse polarity circuit to open with a system trouble condition if no alarm condition exists. The 4XTMF mounts to the main circuit board connectors J4 & J5.

ANN-80 LCD Annunciator

The ANN-80 is a remote LCD annunciator that mimics the information displayed on the FACP LCD display.

ANN-LED Annunciator Module

The ANN-LED Annunciator Module provides three LEDs for each zone: Alarm, Trouble and Supervisory.

ANN-RLY Relay Module

The ANN-RLY Module, which can be mounted inside the cabinet, provides 10 Form-C relays.

ANN-S/PG Serial/Parallel Printer Gateway

The ANN-S/PG module provides a connection for a serial or parallel printer.

ANN-I/O LED Driver Module

The ANN-I/O module provides connections to a user supplied graphic annunciator.

Dress Panel

A dress panel DP-51050 (red) is available as an option. The dress panel restricts access to the system wiring while allowing access to the membrane switch panel.

DP-51050LED Dress Panel

A DP-51050LED dress panel is provided standard only with Canadian versions of the FACP. The dress panel restricts access to the system wiring while allowing access to the membrane switch panel. It also allows the installation of an optional ANN-LED annunciator module.

TR-CE Trim-ring

A trim-ring TR-CE (red) is available as an option. The trim-ring allows semi-flush mounting of the cabinet.

Battery Box

The BB-26 or BB-55 battery box may be used to house two batteries greater than 18 Amp Hour. The battery box mounts directly below the control panel cabinet, centered to the main circuit board.

SECTION 2 Installation

The cabinet can be surface mounted or semi-flush mounted. The door is removable during the installation period by opening and lifting it off the hinges. The cabinet mounts using two key slots at the top of the backbox and two additional securing holes located at the bottom.

Carefully unpack the system and check for shipping damage. Mount the cabinet in a clean, dry, vibration-free area where extreme temperatures or levels of humidity are not encountered. The area should be readily accessible with sufficient room to easily install and maintain the panel. Locate the top of the cabinet approximately 5 feet (1.5 m) above the floor with the hinge mounting on the left. Determine the number of conductors required for the devices to be installed. Sufficient knockouts are provided for wiring convenience. Select the appropriate knockout(s) and pull the conductors into the box. All wiring should be in accordance with the National and/or Local codes for fire alarm systems.

2.1 Backbox Mounting



The circuit board contains static-sensitive components. Always ground yourself with a proper wrist strap before handling any boards so that static charges are removed from the body. Use static suppressive packaging to protect electronic assemblies.

To prevent damage to the circuit board and to facilitate backbox mounting, the chassis with main circuit board and transformer can be easily removed. Loosen the two 3/8" nuts securing the top flanges of the chassis, then slide the chassis up to free it from the lower tabs. Place the chassis assembly in a protective antistatic bag in a safe location until it can be reinstalled in the backbox.



- ✓ Mark and predrill hole in the wall for the center top keyhole mounting bolt using the dimensions illustrated in Figure 2.2 on page 18
- ✓ Install center top fastener in the wall with the screw head protruding
- ✓ Place backbox over the top screw, level and secure
- ✓ Mark and drill the left and right upper and lower mounting holes
Note: outer holes (closest to sidewall) are used for 16" on-center stud mounting
- ✓ Install remaining fasteners and tighten

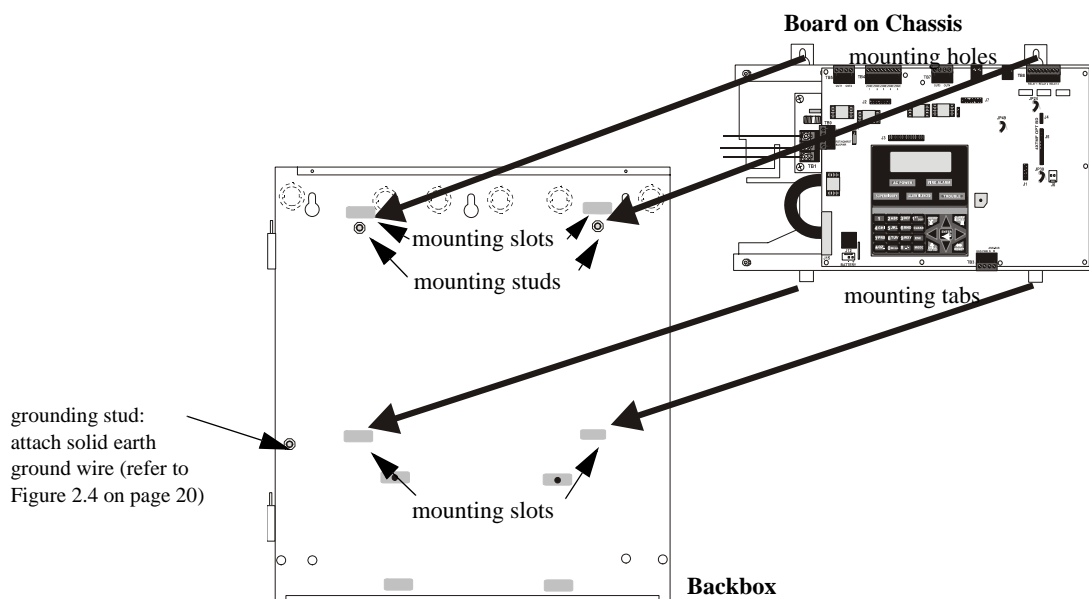


Figure 2.1 Chassis Mounting in Backbox

5UDBRDINBOX.CDR

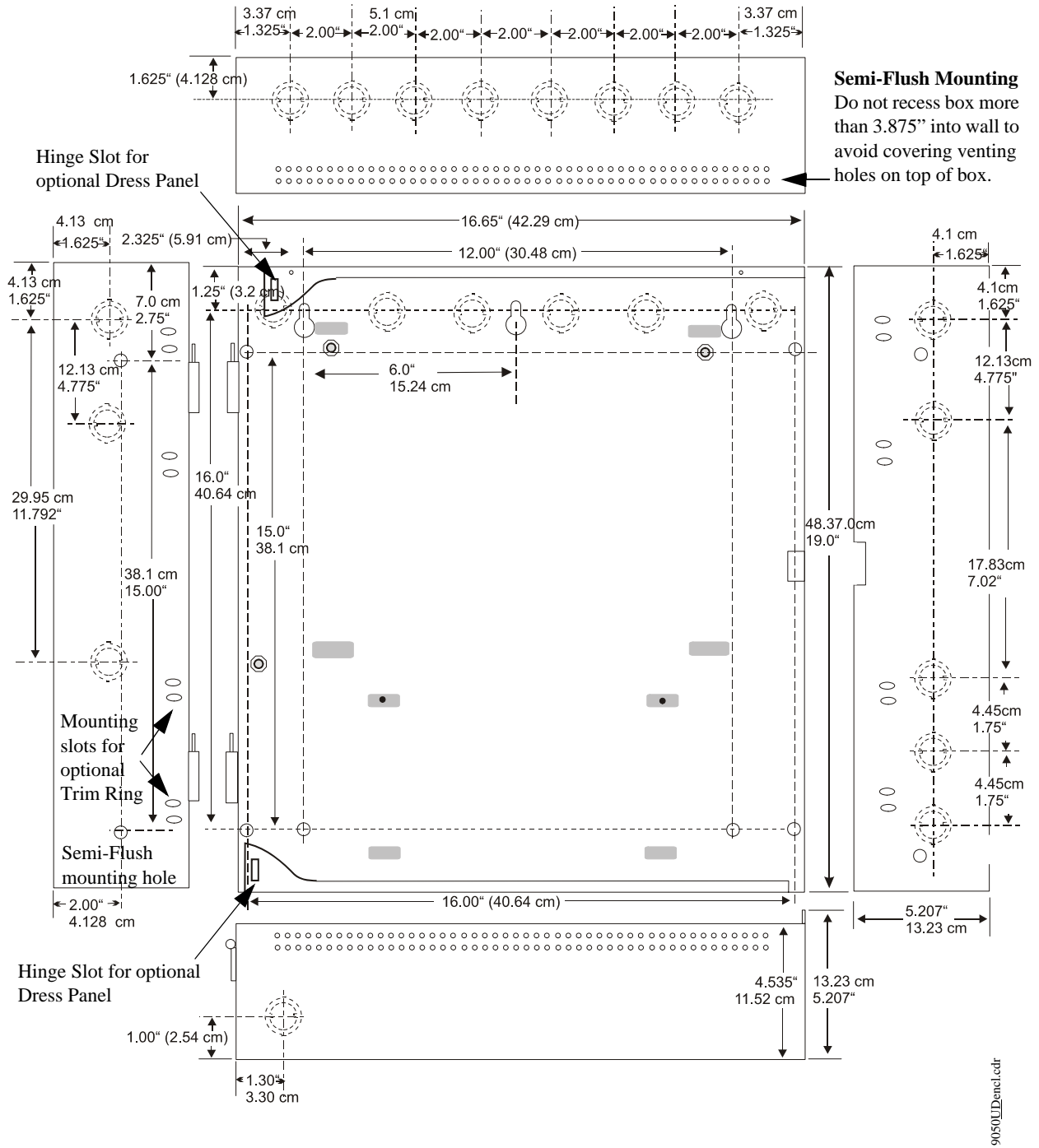


Figure 2.2 Cabinet Dimensions

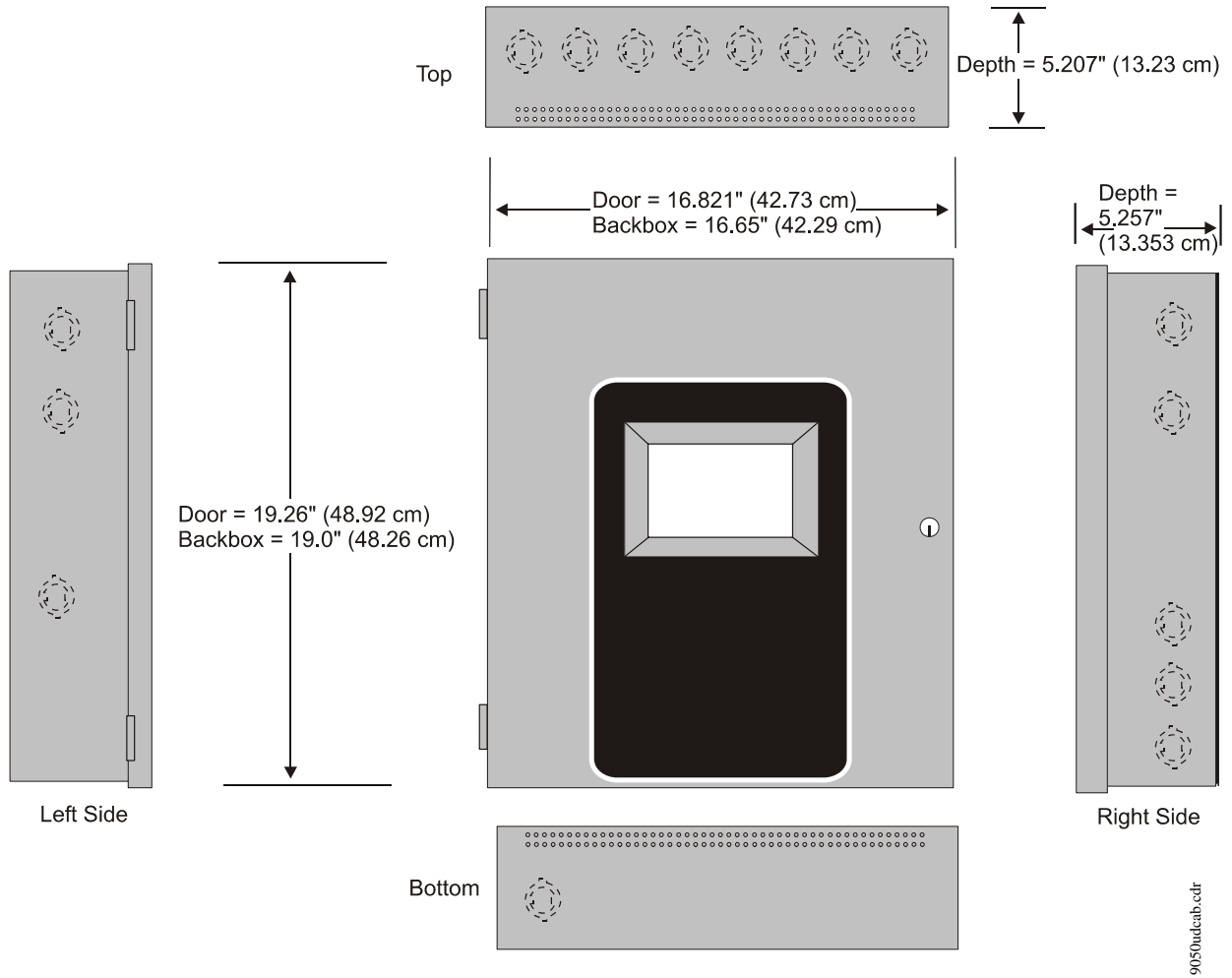


Figure 2.3 Backbox

2.2 Operating Power



WARNING: Several different sources of power can be connected to this panel. Disconnect all sources of power before servicing. The panel and associated equipment may be damaged by removing and/or inserting cards, modules or interconnecting cables while this unit is energized.

Primary Power Source (AC) and Earth Ground Connections

AC power connections are made inside the control panel cabinet. The primary power source for the panel is 120 VAC, 60 Hz, 3.66 amps for the MRP-2001 or 240 VAC, 50 HZ, 2.085 amps for the MRP-2001E. Run a pair of wires (with ground conductor) from the protected premises main breaker box to the AC terminal block TB1 on the main power supply. As per the National Electrical Code, use 14 AWG (2.00 mm², 1.6 mm O.D.) or heavier gauge wire with 600V insulation. No other equipment may be connected to this circuit. In addition, this circuit must be provided with overcurrent protection and may not contain any power disconnect devices. A separate Earth Ground connection must be made to ensure proper panel operation and lightning and transient protection. Connect the Earth Ground wire [minimum 14 AWG (2.00 mm²)] to the grounding stud in the backbox. Do not use conduit for the Earth Ground connection since this does not provide reliable protection.

Secondary Power Source (Batteries)

Observe polarity when connecting the battery. Connect the battery cable to J12 on the main circuit board using the plug-in connector and cable provided. The battery charger is current-limited and capable of charging sealed lead acid batteries. The charger shuts off when the system is in alarm.



WARNING: Battery contains sulfuric acid which can cause severe burns to the skin and eyes and can destroy fabrics. If contact is made with sulfuric acid, immediately flush the skin or eyes with water for 15 minutes and seek immediate medical attention.

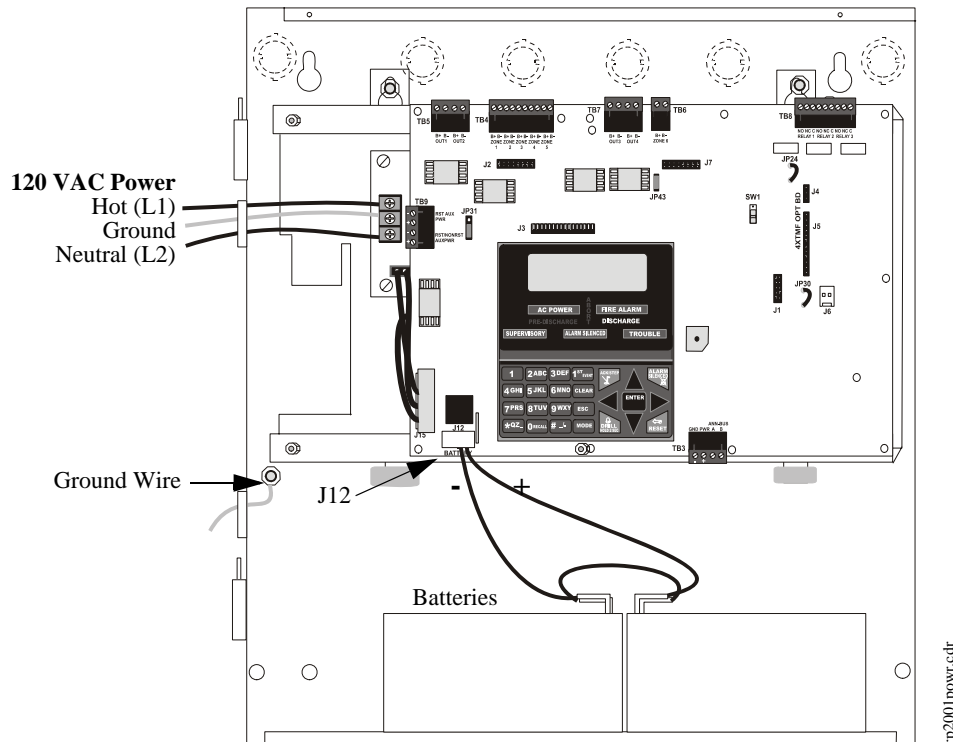


Figure 2.4 Operating Power Connections

2.3 Input Circuits

The MRP-2001 has six programmable IDCs (Initiating Device Circuits). Each circuit is compatible with System Sensor's i³ smoke detectors which generate a maintenance signal when the detector becomes dirty and a separate supervisory 'freeze' signal when ambient temperature falls below the detector rating of approximately 45°F. The maximum loop resistance limit for each IDC is 100 ohms. The maximum number of detectors per zone is 25. The field wiring for each zone is supervised for opens, shorts and ground faults. All conditions are visually and audibly annunciated.

Each circuit is configured for Style B (Class B) operation and will accept i³ smoke detectors, any normally-open contact devices as well as conventional 2-wire or 4-wire, 24 VDC smoke detectors. Refer to the Device Compatibility Document for a list of compatible devices.

Initiating Device Circuits can be converted to Style D (Class A) by installing the optional Class A Converter module. Refer to "CAC-5X Class A Converter Module" on page 26.

Class B Initiating Device Circuits (supervised and power-limited) 4.7 KΩ, ½ watt resistor P/N:71252

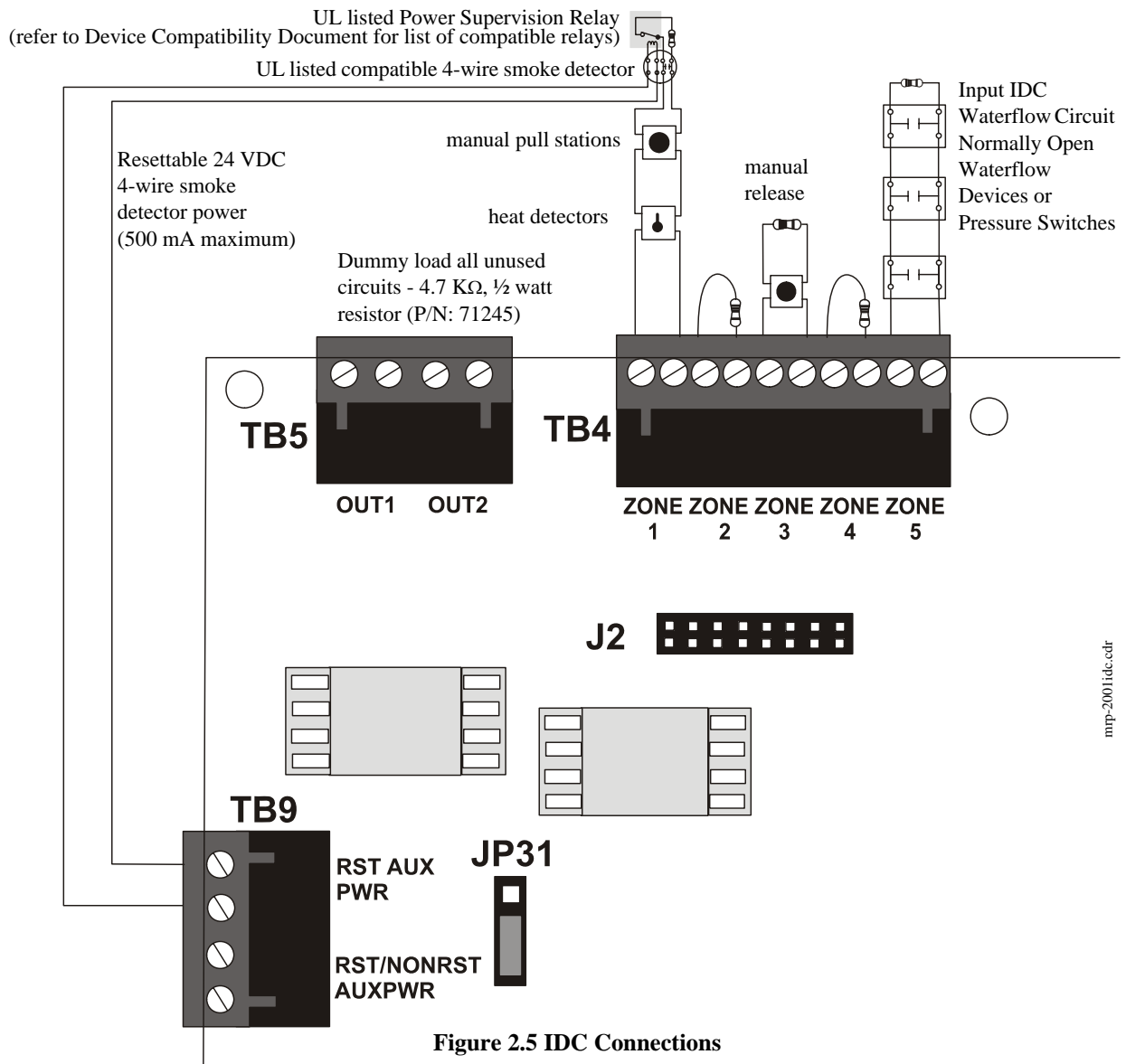


Figure 2.5 IDC Connections

Combination Waterflow/Supervisory Zone

A combination Waterflow/Supervisory circuit allows an FACP to distinguish between an Alarm switch (waterflow device) and a Supervisory switch (tamper) installed on the same circuit. Any circuit can be programmed as a Combo Type zone. The following figure illustrates the wiring of Zone 2 as a Style B (Class B) Waterflow/Supervisory circuit.

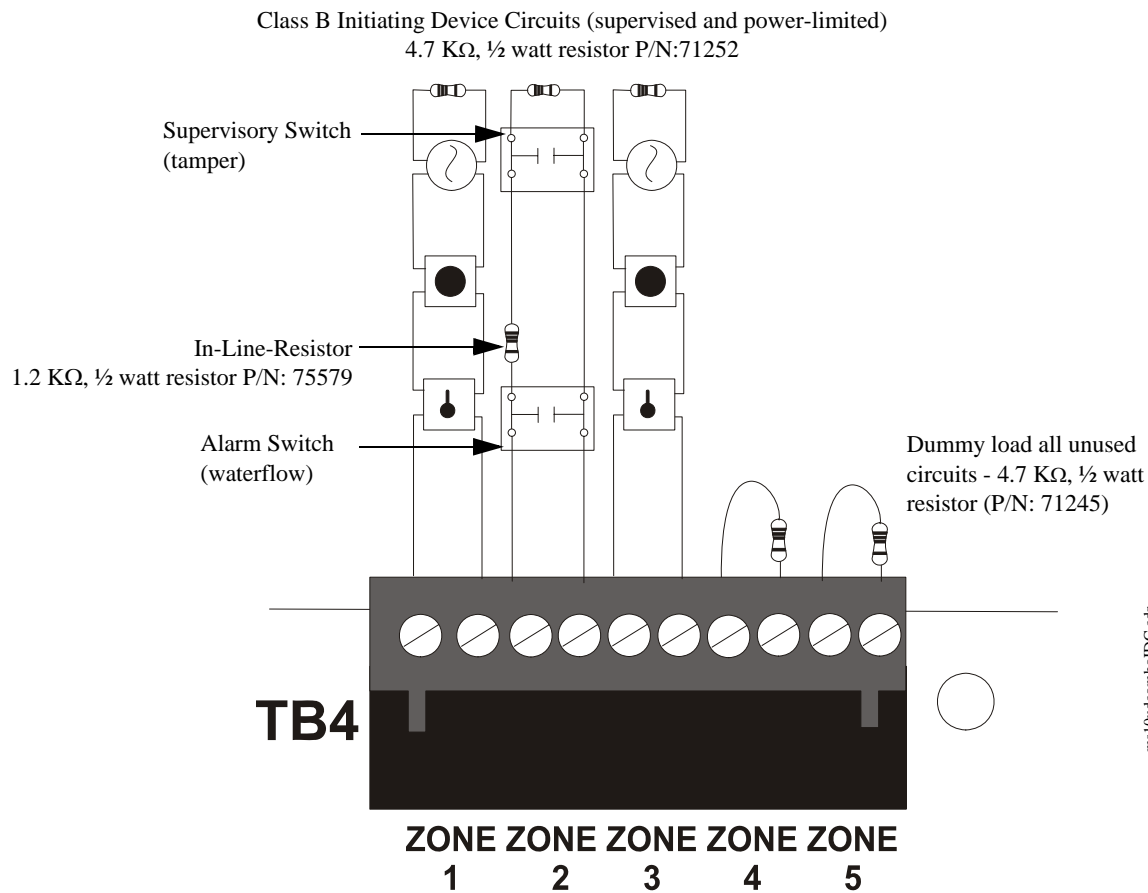


Figure 2.6 Style B Combination Circuit on Zone 2

Requirements for the Combination Waterflow/Supervisory circuit are as follows:

- ✓ The Waterflow Alarm Switch must connect to the FACP Initiating Device Circuit before the In-Line Resistor as shown in Figure 2.6
- ✓ The Supervisory Switch must connect to the FACP Initiating Device Circuit after the In-Line Resistor as shown in Figure 2.6
- ✓ Program the FACP Initiating Device Circuit as a Combination circuit as described in "Input Zones" on page 50. *Note that since a Waterflow Supervisory Switch is included in a Combination circuit, the waterflow delay must be taken into consideration. Refer to "Waterflow Delay" on page 66.*
- ✓ Waterflow Alarm Switch activation causes the panel to latch into alarm until the alarm condition is cleared and the FACP is reset
- ✓ Supervisory Switch activation causes the panel to latch the supervisory condition if the Combo type code is selected or track (the panel will clear when the supervisory condition is cleared) if the Combo Autoresettable Supervisory type code is selected

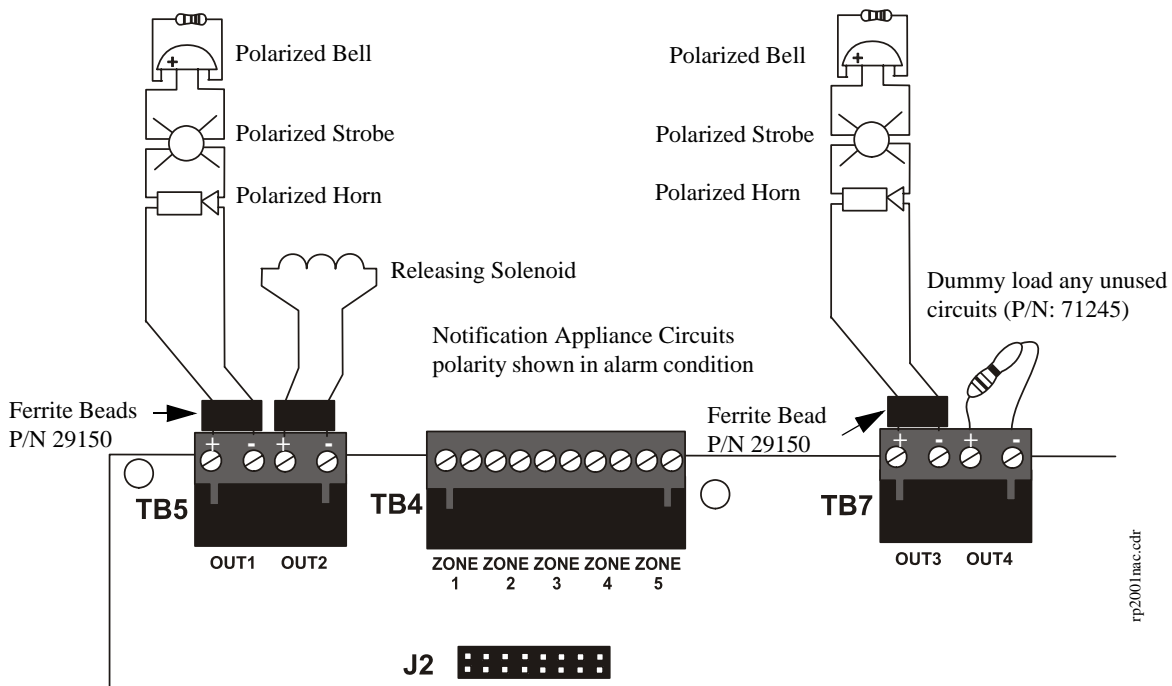
2.4 Output Circuits

2.4.1 Outputs/Notification Appliance/Releasing Circuits

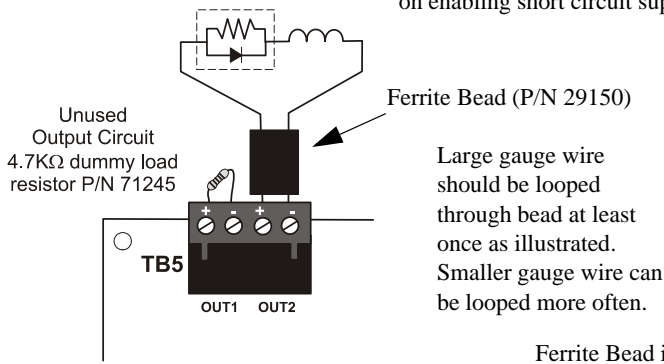
Each of the four Style Y (Class B) Notification Appliance Circuits can output a maximum of 3.0 amps of current. Total current drawn from these as well as other DC power outputs cannot exceed 7.0 amps (refer to battery calculations section). Each circuit is supervised, power-limited and provides special application power. Refer to the Device Compatibility Document for a listing of compatible notification appliances.

The NACs can be converted to Style Z (Class A) by installing two optional Class A Converter module. Refer to "CAC-5X Class A Converter Module" on page 26.

Class B Notification Appliance Circuits (supervised and power-limited)
4.7 K Ω , 1/2 watt resistor P/N:71252



Releasing Circuit for
Canadian Applications
REL-4.7K



Note: Short Circuit Supervision must be enabled when using the REL-4.7K for Canadian Applications. Refer to the section titled "Release Circuit 1 or Release Circuit 2" on page 58 for information on enabling short circuit supervision.

Figure 2.7 NAC/Output Connections

2.4.2 Special Application DC Power Output Connections

Special Application Resettable and Nonresettable 24 VDC power is available on the MRP-2001 control panel.

Special Application

4-Wire Smoke Detector Power (500 mA)

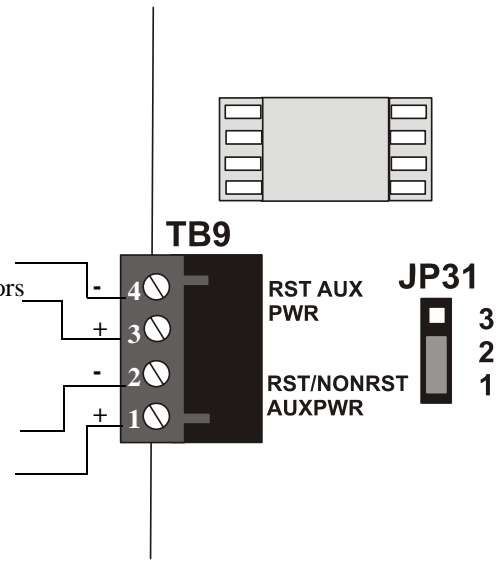
24 VDC filtered, resettable power for 4-wire smoke detectors can be obtained from these terminals (power-limited)

Special Application

Resettable or Nonresettable Power (500 mA)

24 VDC filtered, resettable or nonresettable power can be obtained from these terminals (power-limited)

- Jumper JP31 pins 1 & 2 for nonresettable power (as illustrated in figure to right)
- Jumper JP31 pins 2 & 3 for resettable power



ms-10UDtb9.cdr

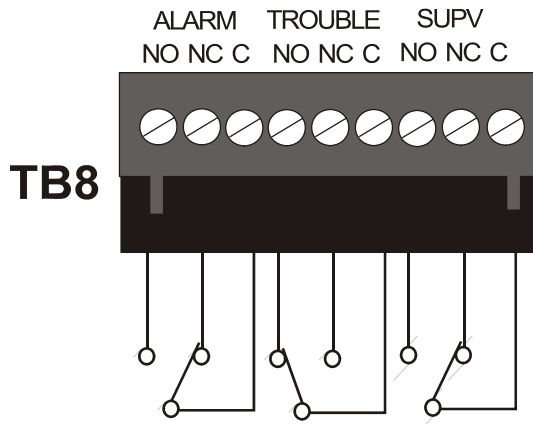
Figure 2.8 Special Application Auxiliary Power

2.4.3 Relays - Programmable

The MRP-2001 control panel provides a factory default programmed alarm relay, fail-safe trouble relay and supervisory relay. Each relay can be programmed to activate for other conditions (refer to "On-Board Relays" on page 64). Each Form-C relay is rated for 2 amps @ 30VDC (resistive) and 0.5 amps @ 30 VAC (resistive).

Note that relay connections must be power-limited.

Note: Relay contacts are shown with power applied to the panel and no active troubles, alarms or supervisories. The Trouble Relay is a fail-safe relay which will transfer on any trouble or total power failure.



ms10udrelay.cdr

Figure 2.9 Relay Terminals

2.5 Power-limited Wiring Requirements

Power-limited and nonpower-limited circuit wiring must remain separated in the cabinet. All power-limited circuit wiring must remain at least 0.25" (6.35 mm) away from any nonpower-limited circuit wiring. Furthermore, all power-limited and nonpower-limited circuit wiring must enter and exit the cabinet through different knockouts and/or conduits. A typical wiring diagram is illustrated below.

*Note: In certain applications, an NAC (power-limited circuit) could be adjacent to a releasing circuit (nonpower-limited without supervision kit REL-4.7K)

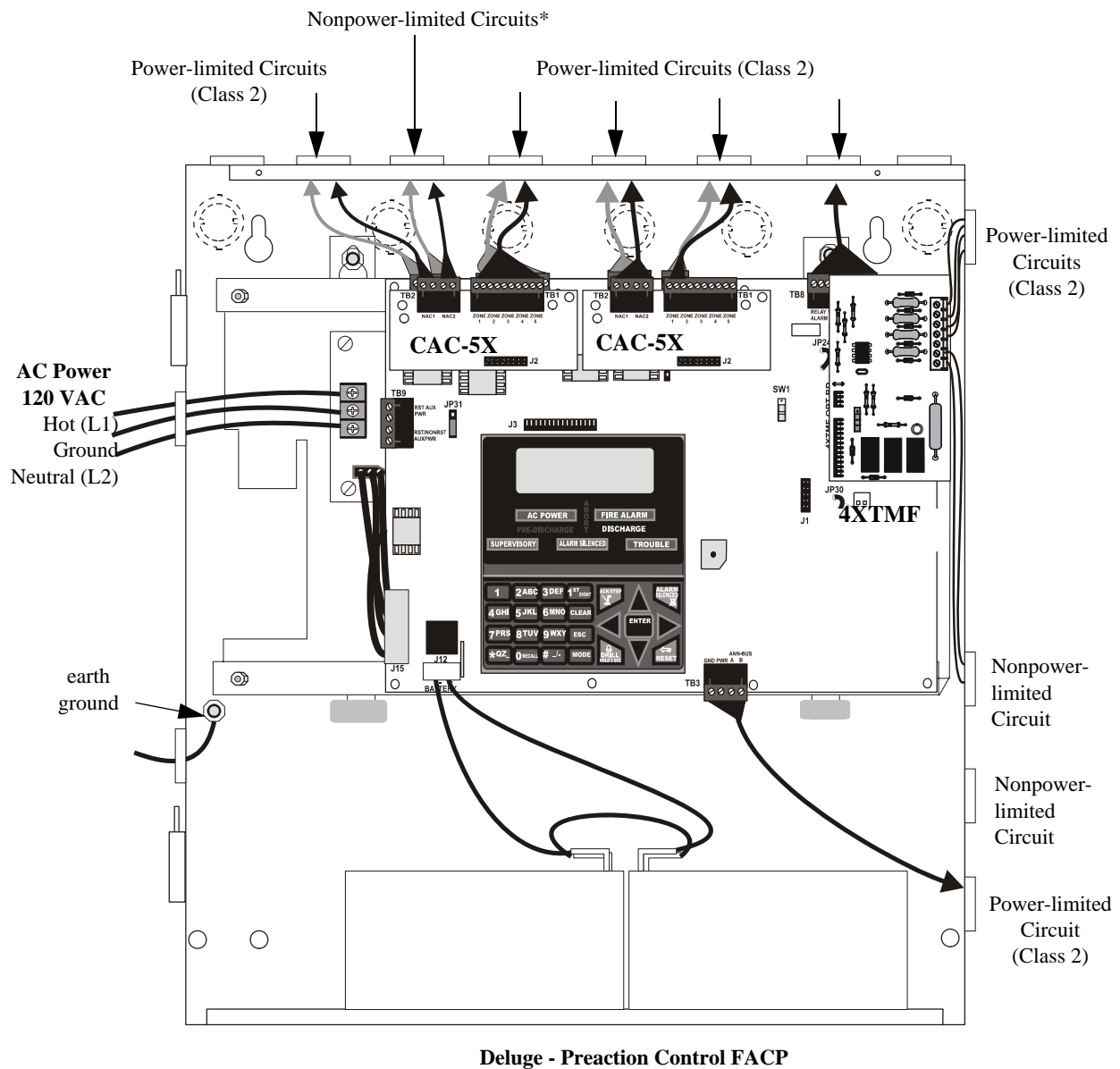


Figure 2.10 Typical UL Power-limited Wiring Requirements

RP2001UI_wire.cdr

2.6 Installation of Optional Modules

CAUTION: Remove all power (AC and DC) before installing or removing modules or wiring.



2.6.1 CAC-5X Class A Converter Module

2.6.1.1 Installation

The CAC-5X Module can be used to convert five Style B (Class B) Initiating Device Circuits to Style D (Class A) and the two Style Y (Class B) Notification Appliance Circuits to Style Z (Class A). Two CAC-5X Modules are required to convert all Output Circuits and/or Initiating Device Circuits to Class A. The modules plug into connector J2 which is located at the top left of the main circuit board and J7 which is located at the top center of the main circuit board.

To install the CAC-5X, remove the two main circuit board mounting screws referenced in the following illustration and replace with the two supplied male/female standoffs in the locations indicated in the following figure. Carefully align the connector on the CAC-5X with J2 on the FACP main circuit board and press the module securely into place. Make certain the pins are properly aligned to prevent bending or breaking of any connector pins. Secure the CAC-5X to the standoffs with the screws that were just removed.

To install the second CAC-5X on J7, remove the main circuit board mounting screw referenced in the following illustration and replace with the supplied male/female standoff. Insert the supplied plastic standoff in the location indicated in the following illustration. Carefully align the connector on the CAC-5X with J7 and press the module securely into place. Make certain the pins are properly aligned to prevent bending or breaking of any connector pins. Secure the CAC-5X to the metal standoff with the screw that was just removed.

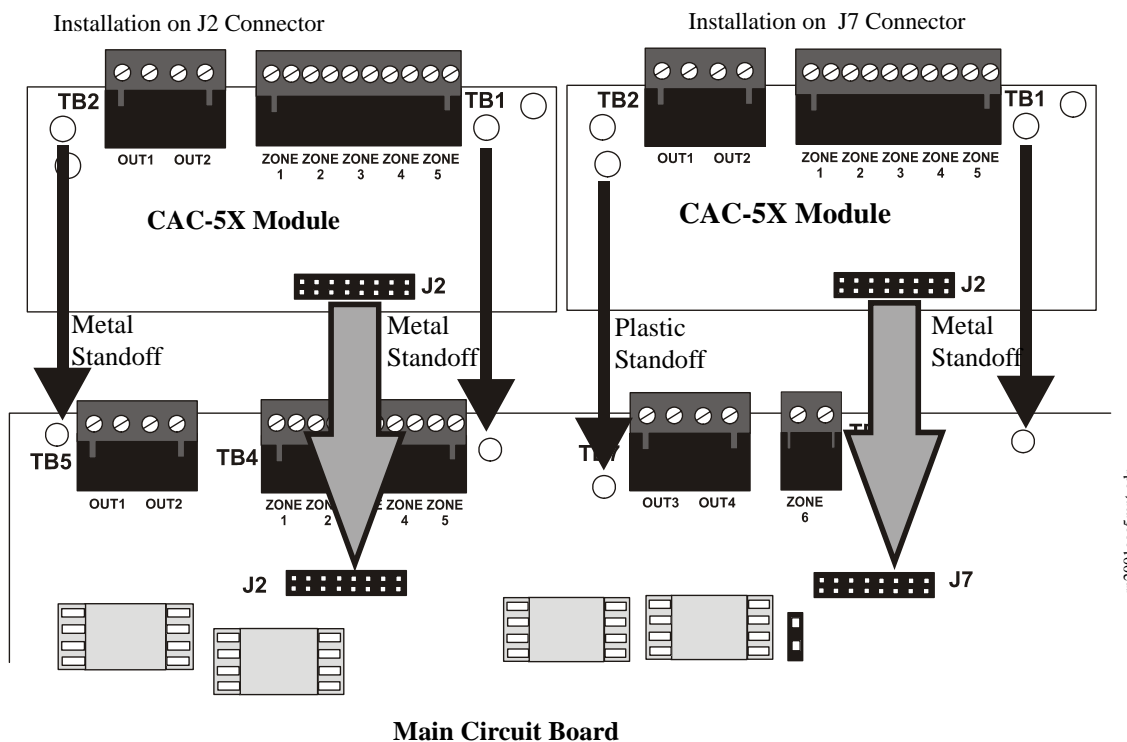
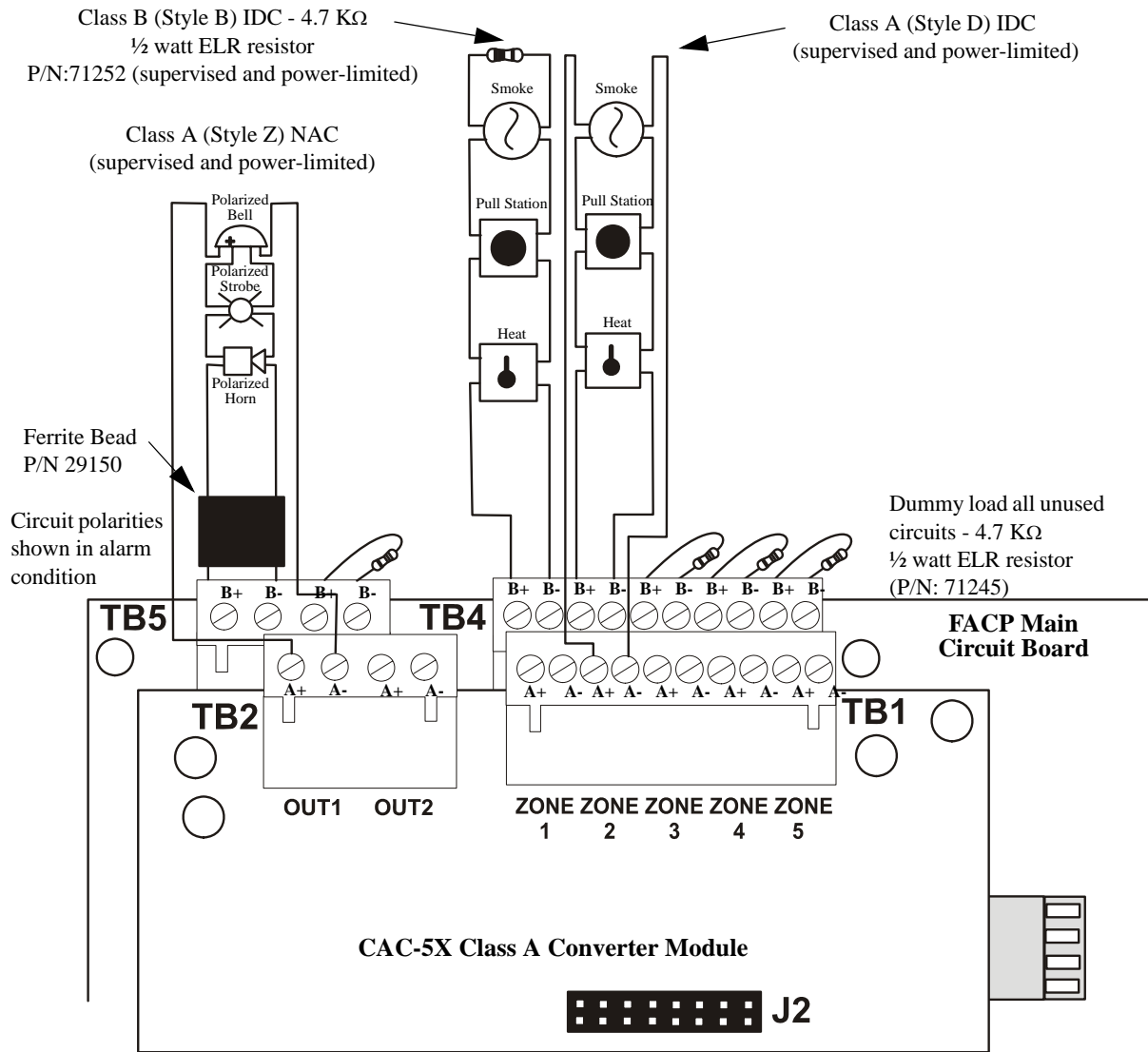


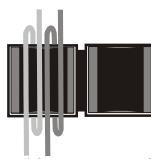
Figure 2.11 CAC-5X Module Installation

2.6.1.2 Wiring NACs and IDCs for Class A

Wire the Style Z (Class A) Notification Appliance Circuits using TB5 of the FACP main circuit board and TB2 of the CAC-5X module. Wire the Style D (Class A) Initiating Device Circuits using TB4 of the FACP main circuit board and TB1 of the CAC-5X. Note that the wiring will be identical when using TB7 NAC and TB6 IDC of the FACP. Make certain to observe polarity when connecting the devices to the circuits. The B+ and A+ terminals must comprise the feed and return for the positive side of a device and the B- and A- terminals must comprise the feed and return for the negative side of a device. To configure any of the zones for Class B when the CAC-5X is installed, simply wire to the B+ and B- input on the FACP terminal(s) and install the End-of-Line Resistor after the last device on the circuit. Do not wire to the corresponding A+ and A- terminals on the CAC-5X module.



Large gauge wire should be looped through bead at least once as illustrated. Smaller gauge wire can be looped more often.



Ferrite Bead in open position



Ferrite Bead in closed position

Figure 2.12 Wiring NACs and IDCs for Class A Operation

2.6.2 4XTMF Municipal Box Transmitter Option Module

The 4XTMF module can be plugged into connectors J4 and J5 on the main circuit board.

The following steps must be followed when installing the 4XTMF module:

1. Remove all power (AC and DC) from the FACP before installing the modules
2. Cut jumper JP30 on the main circuit board to allow the control panel to supervise the placement of the 4XTMF option module
3. Install the two supplied metal standoffs in the locations indicated. These standoffs provide the required earth ground protection
4. Carefully plug the connectors on the option module into connectors J4 and J5 on the FACP main circuit board, being careful not to bend any pins
5. Secure the option module to the standoff on the main circuit board with the supplied screws
6. When the installation has been completed, connect the wiring to the modules as indicated in the following sections
7. Test system for proper operation

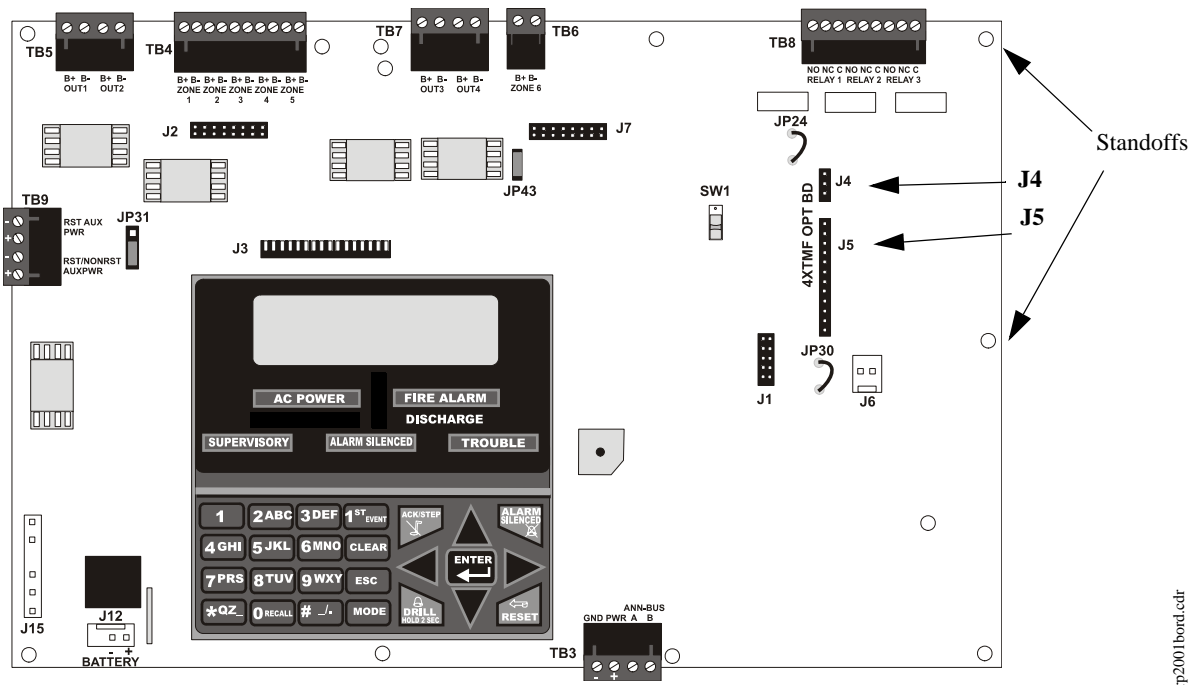


Figure 2.13 4XTMF Option Module Connection

2.6.2.1 4XTMF Transmitter Module Installation

The 4XTMF provides a supervised output for a local energy municipal box transmitter in addition to alarm and trouble reverse polarity. A jumper option allows the reverse polarity circuit to open with a system trouble condition if no alarm condition exists. A disable switch allows disabling of the transmitter output during testing to prevent accidental calling of the monitoring service.

Local Energy Municipal Box Service (NFPA 72 Auxiliary Fire Alarm Systems):

- Supervisory Current: 5.0 mA
- Trip Current: 350 mA (subtracted from notification appliance power)
- Coil Voltage: 3.65 VDC
- Maximum Coil Resistance: 14.6 ohms
- Maximum allowable wire resistance between panel and trip coil: 3 ohms
- Municipal Box wiring can leave the building

Remote Station Service (NFPA 72 Remote Station Fire Alarm Systems) - Intended for connection to a polarity reversal circuit or a Remote Station receiving unit having compatible ratings:

- Maximum load for each circuit: 10 mA
- Reverse polarity output voltage: 24 VDC
- Remote Alarm and Remote Trouble wiring can leave the building

Before installing the module, place the disconnect switch to the down (disconnect) position to prevent accidental activation of the municipal box. Note that a Disconnect LED will illuminate after the module is installed in the FACP. In addition, the System Trouble indicator will turn on to indicate the Disconnect condition.

Note: 4XTMF Module is not directly suitable for transmitting reverse polarity supervisory signal. For an application using reverse polarity of a supervisory signal, refer to the Appendix titled "FACP with Keltron" on page 123.

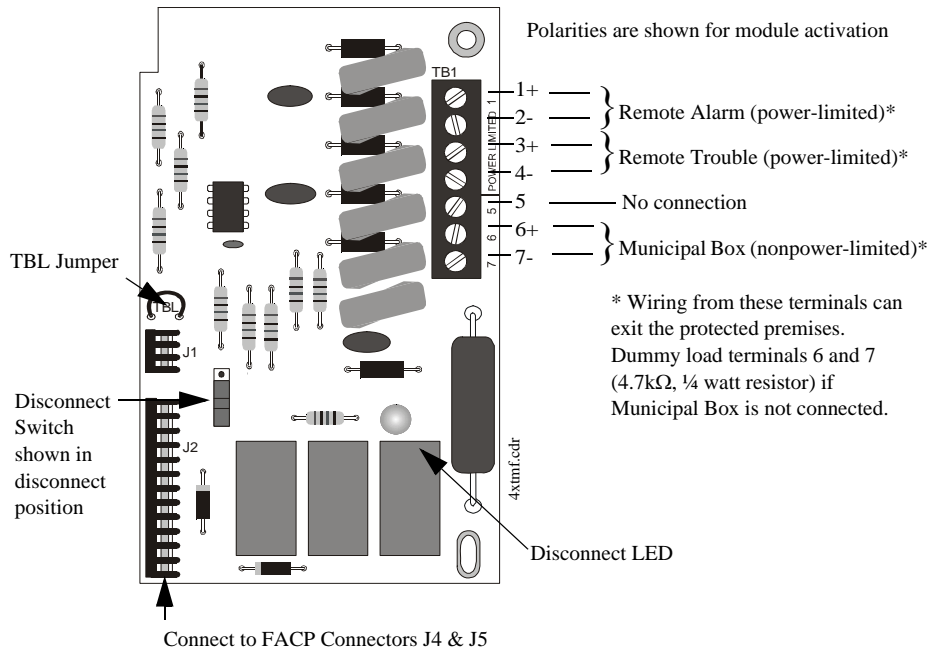


Figure 2.14 4XTMF Transmitter Module

2.7 ANN-BUS Devices



WARNING! Disconnect all sources of power (AC and DC) before installing or removing any modules or wiring.

A variety of optional devices can be connected to the FACP ANN-BUS communication circuit. Compatible devices include:

- ANN-80 LCD Annunciator
- ANN-S/PG Serial/Parallel Printer Interface Module
- ANN-I/O LED Driver Module
- ANN-LED Annunciator Module (annunciates alarms, troubles and supervisories)
- ANN-RLED Annunciator Module (annunciates alarms only)
- ANN-RLY Relay Module

2.7.1 ANN-BUS Wiring

This section contains information on calculating ANN-BUS wire distances and the types of wiring configurations (Class B).

2.7.1.1 Calculating Wiring Distance for ANN-BUS Modules

The following instructions will guide the installer in determining the type of wire and the maximum wiring distance that can be used with FACP ANN-BUS accessory modules.

To calculate the wire gauge that must be used to connect ANN-BUS modules to the FACP, it is necessary to calculate the total worst case current draw for all modules on a single 4-conductor bus. The total worst case current draw is calculated by adding the individual worst case currents for each module. The individual worst case values are shown in the following table:

Model Number	Worst Case Current Draw
ANN-80 LCD Annunciator	0.040 amps
ANN-S/PG Serial/Parallel Printer Interface Module	0.040 amps
ANN-I/O LED Driver Module	0.200 amps
ANN-(R)LED Annunciator Module	0.068 amps
ANN-RLY Relay Module	0.075 amps

Note: Total worst case current draw on a single ANN-BUS cannot exceed 0.5 amp.

After calculating the total worst case current draw, Table 2.1 specifies the maximum distance the modules can be located from the FACP on a single wire run. The table ensures 6.0 volts of line drop maximum. In general, the wire length is limited by resistance, but for heavier wire gauges, capacitance is the limiting factor.

These cases are marked in the chart with an asterisk (*). Maximum length can never be more than 6,000 feet (1,800 m), regardless of gauge used. The formula used to generate this chart is shown in the note below.

Wiring Distance: ANN-BUS Modules to FACP				
Total Worst Case Current Draw (amps)	22 Gauge	18 Gauge	16 Gauge	14 Gauge
0.100	1,852 ft.	4,688 ft.	* 6,000 ft.	*6,000 ft.
0.200	926 ft.	2,344 ft.	3,731 ft.	5,906 ft.
0.300	617 ft.	1,563 ft.	2,488 ft.	3,937 ft.
0.400	463 ft.	1,172 ft.	1,866 ft.	2,953 ft.
0.500	370 ft.	938 ft.	1,493 ft.	2,362 ft.

Table 2.1 Wiring Distances

Note: The following formulas were used to generate the wire distance chart:

$$\text{Maximum Resistance (Ohms)} = \frac{6.0 \text{ Volts}}{\text{Total Worst Case Current Draw (amps)}}$$

$$\text{Maximum Wire Length (feet)} = \frac{\text{Maximum Resistance (Ohms)}}{\text{Rpu}} \quad *500$$

(6,000 feet maximum)

where: Rpu = Ohms per 1,000 feet for various Wire Gauges (see table below)

Wire Gauge	Ohms per 1,000 feet (Rpu)
22	16.2
18	6.4
16	4.02
14	2.54

Exception: When using the ANN-RLY module, the installer must ensure that the maximum 24VDC power line drop does not exceed 0.3 volts. This results in the following wiring limitations:

Wire Gauge	Maximum Wire Length
18	312 feet
16	497 feet
14	787 feet
12	1,250 feet

Wiring Distance Calculation Example:

Suppose a system is configured with the following ANN-BUS modules:

- 2 ANN-80 Remote LCD Annunciators
- 1 ANN-S/PG Serial/Parallel Printer Interface Module
- 1 ANN-I/O LED Driver Module

The total worst case current is calculated as follows:

ANN-80 Current Draw	= 2 X 0.040 amps	= 0.080 amps
ANN-S/PG Current Draw	= 1 X 0.040 amps	= 0.040 amps
ANN-I/O Current Draw	= 1 X 0.200 amps	= 0.200 amps
Total Worst Case Current Draw		= 0.320 amps

Using this value and referring to the Wiring Distance Table 2.1 on page 31, it can be found that the available options are:

- ✓ 463 feet maximum using 22 Gauge wire
- ✓ 1,172 feet maximum using 18 Gauge wire
- ✓ 1,866 feet maximum using 16 Gauge wire
- ✓ 2,953 feet maximum using 14 Gauge wire

2.7.1.2 Wiring Configuration

Figure 2.15 illustrates the wiring between the FACP and ANN-BUS devices.

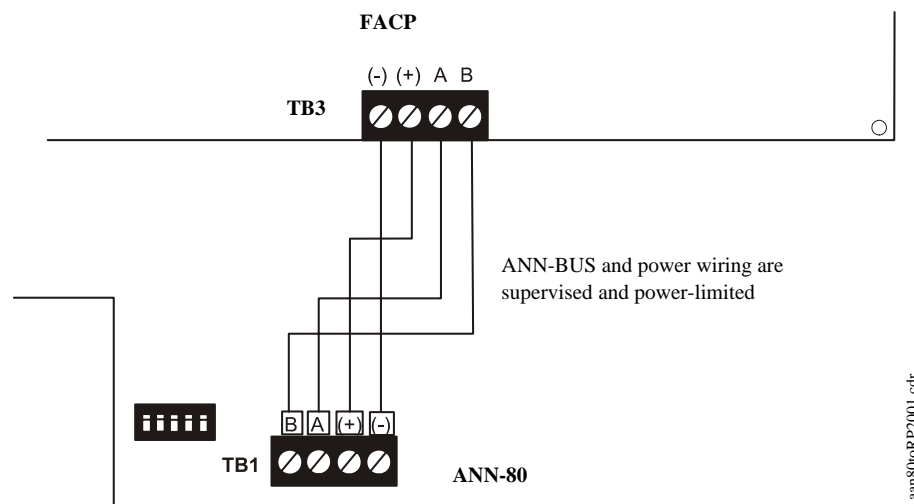


Figure 2.15 FACP wiring to ANN-BUS Device

2.7.1.3 Powering ANN-BUS Devices from Auxiliary Power Supply

Figure 2.16 illustrates the powering of ANN-BUS devices from an auxiliary power supply such as the FCPS-24FS6/8, when the maximum number of ANN-BUS devices exceeds the ANN-BUS power requirements.

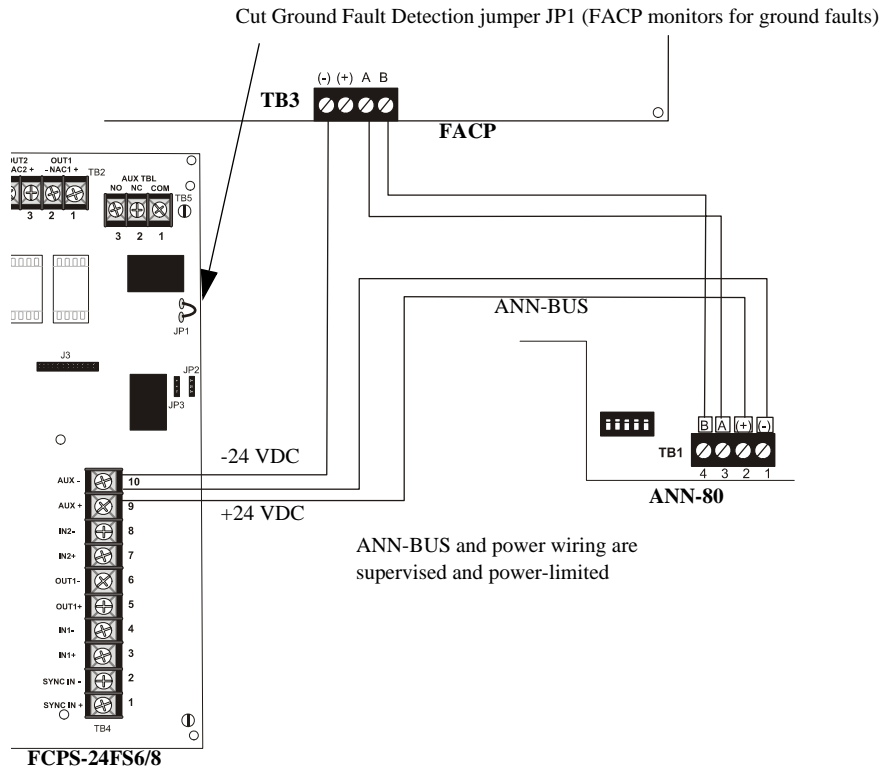


Figure 2.16 Powering ANN-BUS Devices from FCPS-24FS6/8

2.7.2 ANN-BUS Device Addressing

Each ANN-BUS device requires a unique address (ID Number) in order to communicate with the FACP. A 5-position DIP switch on each device is used to set this address. The address set for these devices must also be programmed at the FACP for the specific device (refer to the programming section titled "ANN-BUS" on page 71).

A maximum of 8 devices can be connected to the FACP ANN-BUS communication circuit. Device addresses do not need to be sequential and can be set to any number between 01 and 08. Note that 00 is not a valid address. The following table shows the DIP switch setting for each address.

Note: address (ID Number) DIP switches on some devices may have more than 5 switch positions. Unless otherwise specified in the documentation supplied with each device, switch positions 6 and above must be set to OFF.

Address	Switch 5	Switch 4	Switch 3	Switch 2	Switch 1
not valid	OFF	OFF	OFF	OFF	OFF
01	OFF	OFF	OFF	OFF	ON
02	OFF	OFF	OFF	ON	OFF
03	OFF	OFF	OFF	ON	ON
04	OFF	OFF	ON	OFF	OFF
05	OFF	OFF	ON	OFF	ON
06	OFF	OFF	ON	ON	OFF
07	OFF	OFF	ON	ON	ON
08	OFF	ON	OFF	OFF	OFF

2.7.3 ANN-80 Remote LCD Annunciator

The ANN-80 LCD Annunciator is a compact, 80 character, backlit LCD remote fire annunciator which mimics the FACP display. It also provides system status indicators for AC Power, Alarm, Trouble, Supervisory and Alarm Silenced conditions. Communication between the ANN-80 and FACP is accomplished over a two wire serial interface employing the ANN-BUS communication format. The devices are powered, via two additional wires, from either the host FACP or remote UL-listed, filtered, power supply.

2.7.4 Specifications

- Operating Voltage Range: 18 VDC to 28 VDC
- Current Consumption @ 24 VDC nominal (filtered and nonresettable):
 - ✓ Normal/Standby (no activity): 37.0 mA
 - ✓ Trouble: 39.0 mA
 - ✓ Alarm: 40.0 mA
 - ✓ AC Fail (not backlit): 15.0 mA
- For use indoors in a dry location

2.7.5 Installation

Ensure that all power (AC and DC) has been removed from the FACP before installing the annunciator.

2.7.5.1 Mounting

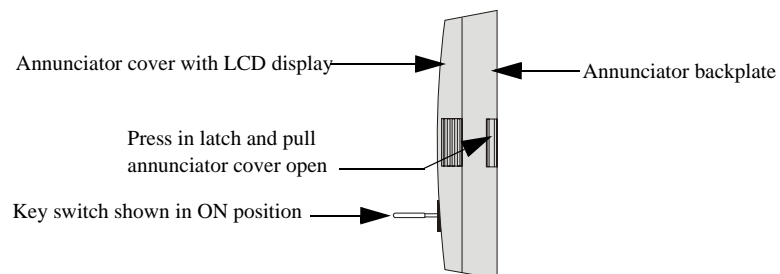
The ANN-80 can be surface or semi-flush mounted to a single, double or 4" square electrical box. Select and remove the appropriate knockout(s), pull the necessary wires through the knockouts and mount the annunciator in or on the wall depending on the type of installation desired.

The ANN-80 cover must be attached to the annunciator backplate before mounting the annunciator to the electrical box/wall. The cover cannot be reattached or removed after the annunciator has been mounted.

2.7.5.2 Opening/Closing Annunciator

The following procedure details the steps used to open the annunciator in order to access the terminal block and DIP switches (refer to figure below):

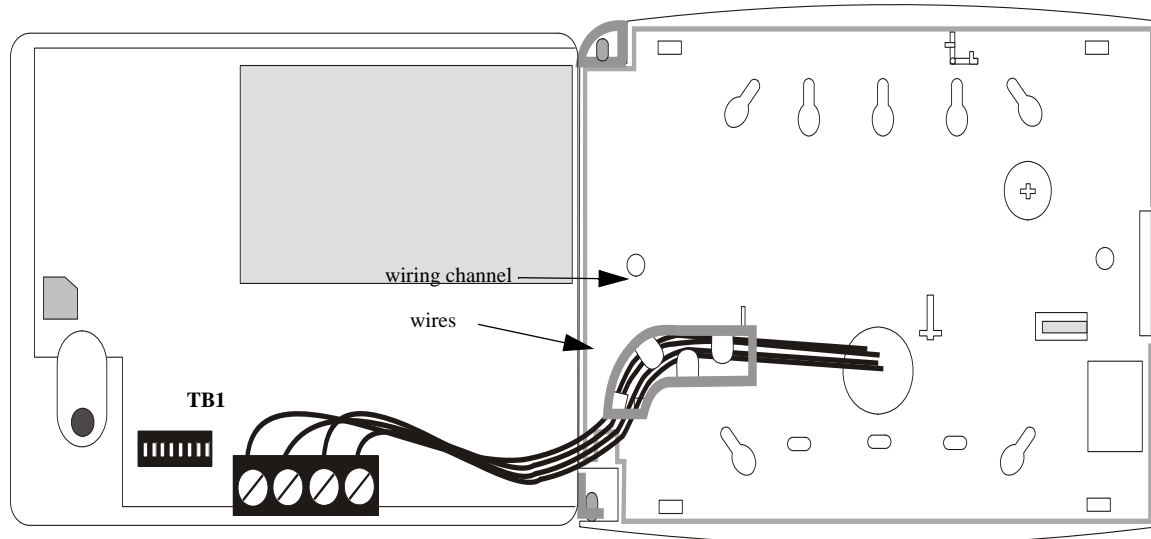
1. Turn the key switch to the ON (Unlocked) position by turning the key counter-clockwise
2. Push in the snap latch located on the right side of the unit while pulling the cover open
3. To close the cover, make certain the key switch is in the ON (Unlocked) position. Swing the cover closed, snapping it shut
4. Turn the key switch to the OFF (Locked) position by turning clockwise and remove the key



2.7.5.3 Wiring ANN-80 to FACP

The following steps can be used as a guide to wire the annunciator. Make certain all power has been removed from the FACP prior to annunciator installation.

1. Route wires from hole in backplate, through wiring channel and then to ANN-80 terminal block TB1



2. Remove appropriate amount of wire insulation
3. Connect the wiring from the FACP ANN-BUS to annunciator TB1 terminals 3 (A) & 4 (B). Make certain to connect A to A and B to B
4. If appropriate, connect the wiring going to the next device on the ANN-BUS to TB1 terminals 3 & 4. Make certain to connect A to A and B to B
5. Connect the wiring from the 24 VDC power source to annunciator TB1 terminals 1 (-) & 2 (+). Make certain to observe proper polarity
6. If appropriate, connect the power wiring going to the next device to terminals 1 (-) & 2 (+). Make certain to observe proper polarity
7. After all connections are made, remove extra wire from inside of annunciator by dressing it neatly through wire channel, with any excess wire pushed back through hole into electrical box

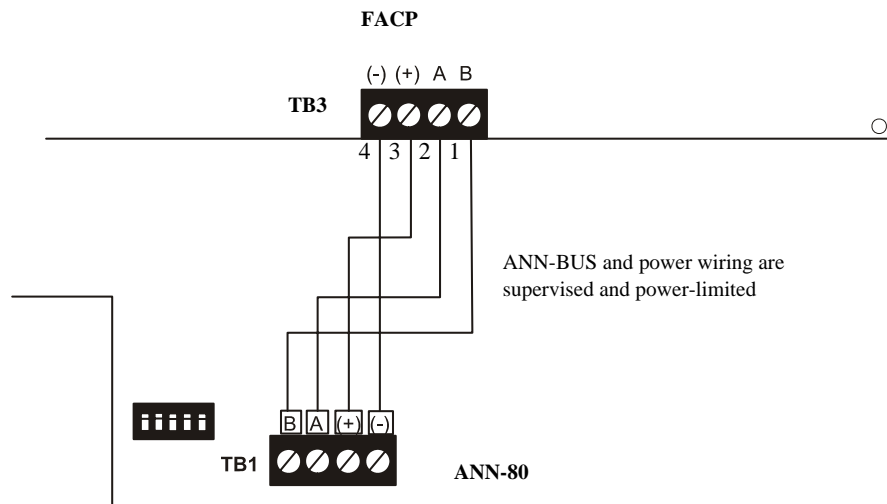


Figure 2.17 ANN-80 Wiring to FACP

The following table shows the ANN-80 connections to the FACP.

FACP (TB3)	ANN-80 (TB1)
Terminal 4 GND (-)	Terminal 1 (-)
Terminal 3 PWR (+)	Terminal 2 (+)
Terminal 2 A (ANN-BUS)	Terminal 3 (A)
Terminal 1 B (ANN-BUS)	Terminal 4 (B)

Programming

Following installation and wiring of the ANN-80 LCD annunciator to the FACP, the annunciator must be added to the system via FACP programming. Refer to the programming section titled "ANN-BUS" on page 71 in this manual for detailed programming information. Select the LCD option for programming.

2.7.6 ANN-S/PG Serial/Parallel Printer Interface Installation

The ANN-S/PG Serial/Parallel Interface module allows the ancillary connection of a serial or parallel printer to the FACP for a real-time log of system events, detector status reports and event history. Note that either a serial or parallel printer may be installed, not both. Proceed with the installation as described in the following:

1. Ensure that all power (AC and DC) has been removed from the FACP.
2. Connect the ANN-S/PG to the FACP as illustrated in Figure 2.18

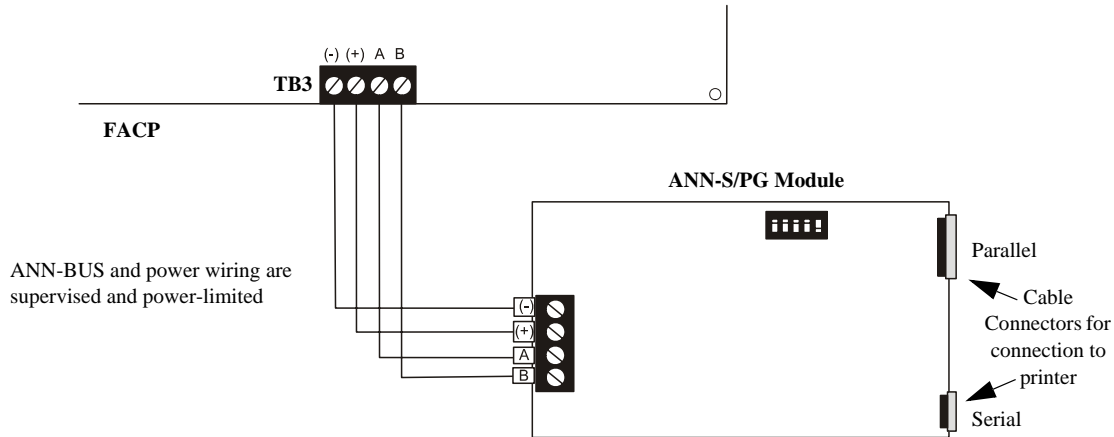


Figure 2.18 ANN-S/PG Connection to FACP

3. Using the DIP switches on the back of the ANN-S/PG module, assign an ID number (address) to the module
4. Select the address and configuration options for the ANN-S/PG module as described in the Programming section of this manual (refer to "ANN-BUS" on page 71)
Note that the Auto-configure feature allows the programmer to quickly bring all installed ANN-BUS modules online (refer to "Auto-Configure" on page 73)
5. Connect a printer to the ANN-S/PG Parallel or Serial connector (refer to Figure 2.18 on page 37)

2.7.6.1 Specifications

- Operating Voltage: 24 VDC
- Current (Alarm and Standby): 45 mA
- Ambient Temperature: 32°F to 120°F (0°C to 49°C)
- Max. Wiring Distance from FACP: 6,000 ft. (1,800 m)
- Mounting: Surface
- Dimensions: 6"W x 7-3/4"H x 1-7/16"D (15.2 cm W x 19.7 cm H x 3.7 cm D)
- For indoor use in a dry location only

2.7.6.2 PRN-6 Printer Installation

When connected to the FACP via the ANN-S/PG module, the PRN-6 prints the status changes within the control panel and time-stamps the printout with the time of day and date that the event occurred. It provides 80 columns of data on standard 9" x 11" tractor-feed paper. This section contains information on connecting a printer to the control panel and setting the printer options.

2.7.6.2.1 Connecting PRN-6 Printer

Remote printers require a primary AC power source. If required for the fire alarm system configuration (for example, a Proprietary Fire Alarm System), a remote printer requires a secondary power source (battery backup). Since a secondary power source is not provided as a standard feature, a separate UL-listed Uninterruptible Power Supply (UPS) should be used. The building emergency power supply may be used, as long as it meets the power continuity requirements of NFPA 72. Refer to NFPA 72 for further details.

Connect the remote printer to the FACP via the ANN-S/PG module using a standard DB-25 cable. One end of the cable will plug into the DB-25 connector on the PRN printer and the other end plugs into the parallel connector on the ANN-S/PG module. Note that the 9-pin DB-9 port on the ANN-S/PG is used to connect a serial printer. The 25-pin port is used for a Centronics parallel printer cable. Connect either a serial or parallel printer, but not both at the same time.

2.7.6.2.2 Setting Printer Options

Refer to the documentation supplied with the PRN printer for instructions on using the printer menu controls. Set the printer options (under the menu area) as shown in the following table:

Table 2.2 PRN-6 Setup Options

Option	Setting	Option	Setting
Font	HS Draft	CPI	10CPI
LPI	6 LPI	Skip	0.5
ESC Character	ESC	Emulate	Epson FX-850
Bidirectional Copy	ON	I/O	
CG-TAB	Graphic	Buffer	40K
Country	E-US ASCII	Serial	
Auto CR	OFF	Baud	9600 or 2400
Color Option	Not Installed	Format	7 Bit, Even, 1 Stop
Formien		Protocol	XON/XOFF
Lines	6LPI=60	Character Set	Standard
Standard	Exec 10.5	SI.Zero	On
		Auto LF	On
		PAPER	
		BIN 1	12/72"
		BIN 2	12/72"
		SINGLE	12/72"
		PUSH TRA	12/72"
		PULL TRA	12/72"
		PAP ROLL	12/72"

2.7.7 ANN-I/O LED Driver Module

The ANN-I/O is an LED driver module that can be used in a wide variety of applications, including as an interface with most customized graphic annunciators. The ANN-I/O can drive up to 40 LEDs. The following sections describe hardware installation. Refer to the section titled "ANN-BUS" on page 71 for programming information.

2.7.7.1 ANN-I/O Board Layout

Figure 2.19 illustrates the ANN-I/O board showing locations of screw terminals for connection to the FACP, pin connectors for connecting LEDs and the DIP switch for selecting the ANN-BUS ID number.

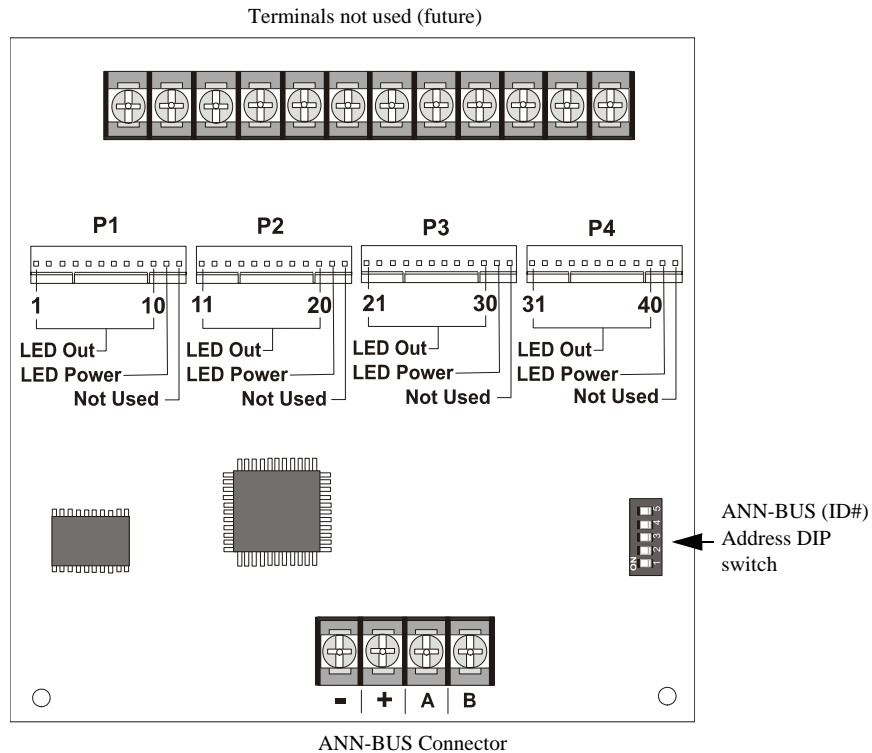


Figure 2.19 ANN-I/O Board Layout

2.7.7.2 Specifications

- Max. ANN-BUS Voltage: 28 VDC
- Max. Current:
 - ✓ Alarm: 200 mA
 - ✓ Standby: 35 mA
 - ✓ Each LED: 10 mA
- Operating Temperature: 32°F to 120°F (0°C to 49°C)
- For indoor use in a dry location only

2.7.7.3 ANN-I/O Connection to FACP

The ANN-I/O connects to the FACP via the ANN-BUS as illustrated in Figure 2.20. After the ANN-I/O is connected to the panel, it must be added to the system via FACP programming.

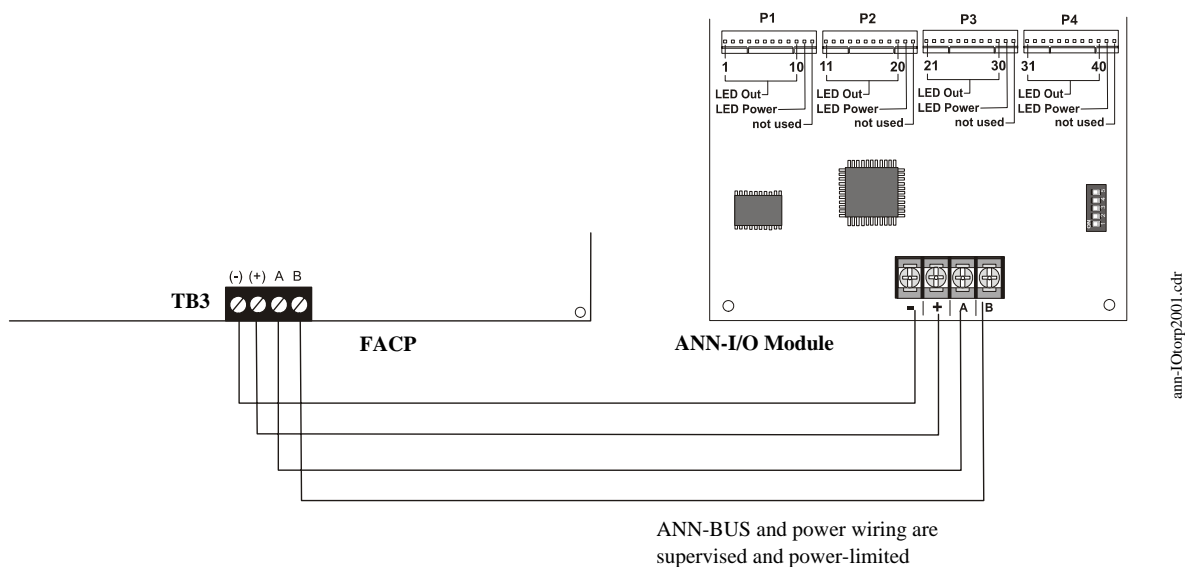


Figure 2.20 ANN-I/O Connection to FACP

2.7.7.4 ANN-I/O Module LED Wiring

There are four 12-pin connectors on the ANN-I/O module for connecting LEDs. Each set of 10 LEDs get their power from Pin 11 of the corresponding connector. Internal resistors are sized so that there is approximately 10 mA of current for each LED. No series resistors are required. LED outputs are mapped to output circuits. Refer to the section titled "ANN-I/O LED Zone Assignments" on page 75 of this manual.

The LEDs are wired as illustrated in Figure 2.21. Note that the illustration depicts only connectors P1 and P2. Wiring is identical for P3 (LEDs 21-30) and P4 (LEDs 31-40).

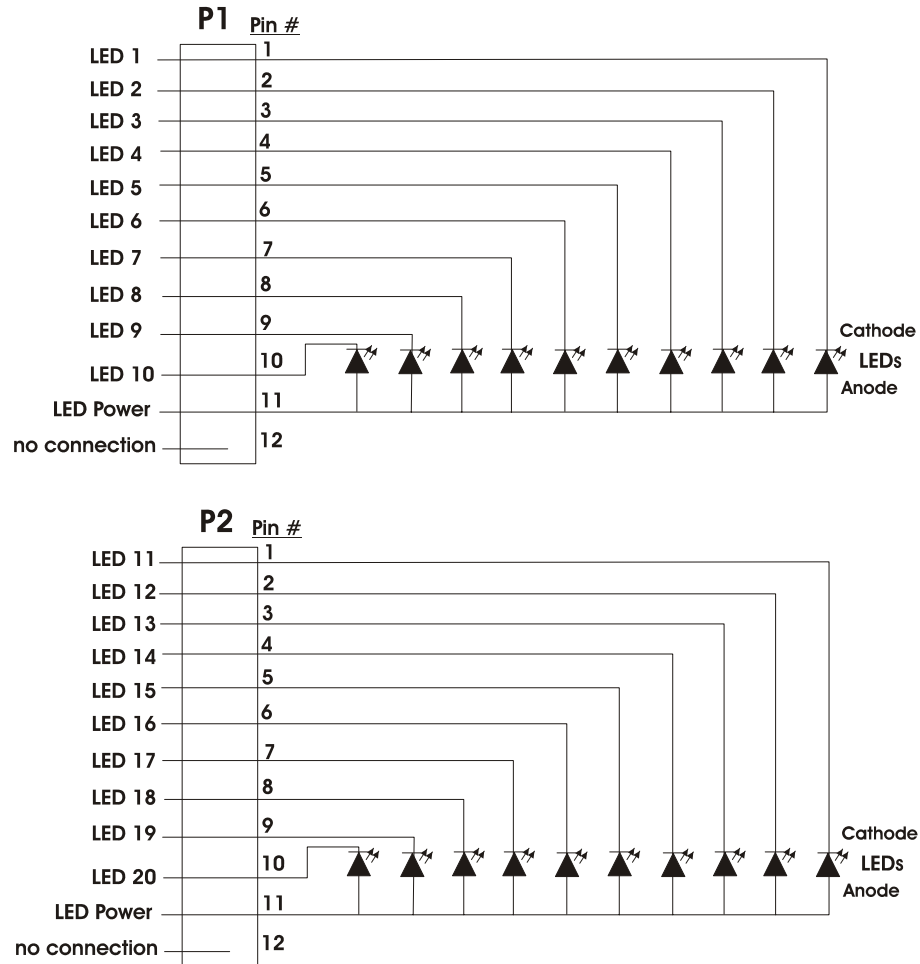


Figure 2.21 ANN-I/O Board Layout

2.7.8 ANN-LED Annunciator Module

The ANN-LED annunciator modules provide LED annunciation of general system faults and input zones when used with a compatible FACP. The ANN-LED module provides alarm (red), trouble (yellow) and supervisory (yellow) indication for up to ten input zones.

2.7.8.1 ANN-LED Board Layout

Figure 2.22 illustrates the ANN-LED board showing locations of screw terminals for connection to the FACP and the DIP switches for selecting the ANN-BUS ID number.

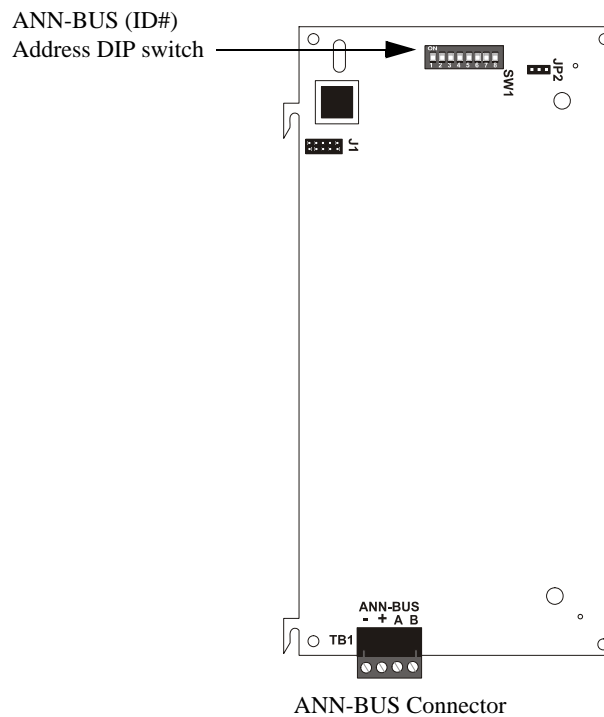


Figure 2.22 ANN-LED Board Layout

2.7.8.2 Specifications

- Max. ANN-BUS Voltage: 24 VDC
- Max. Current:
 - ✓ Alarm: 68 mA
 - ✓ Standby: 28 mA
- Operating Temperature: 32° F to 120° F (0° C to 49° C)
- For indoor use in a dry location only

2.7.8.3 Mounting/Installation

Install the ANN-LED Module as described in the documentation supplied with the annunciator.

2.7.8.4 ANN-LED Connection to FACP

Figure 2.23 illustrates the ANN-LED board showing locations of screw terminals for connection to the FACP and the DIP switches for selecting the ANN-BUS ID number.

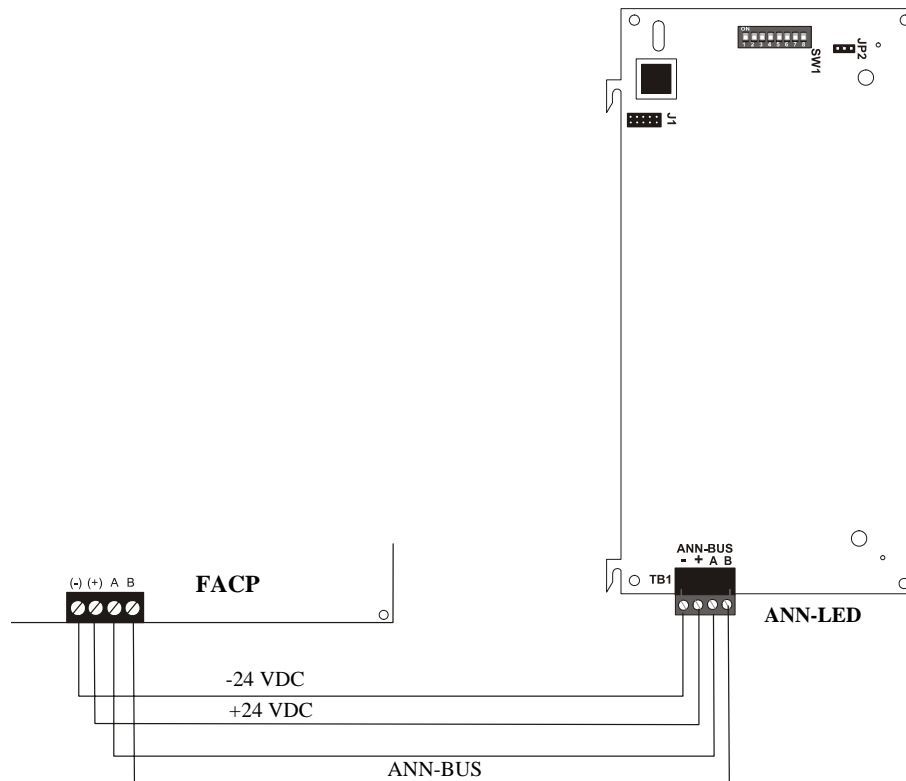


Figure 2.23 ANN-LED Connection to FACP

2.7.9 ANN-RLY Relay Module

The ANN-RLY relay module provides 10 programmable Form-C relays when used with a compatible FACP.

2.7.9.1 ANN-RLY Board Layout

Figure 2.22 illustrates the ANN-RLY board showing locations of screw terminals for connection to the FACP and the DIP switches for selecting the ANN-BUS ID number.

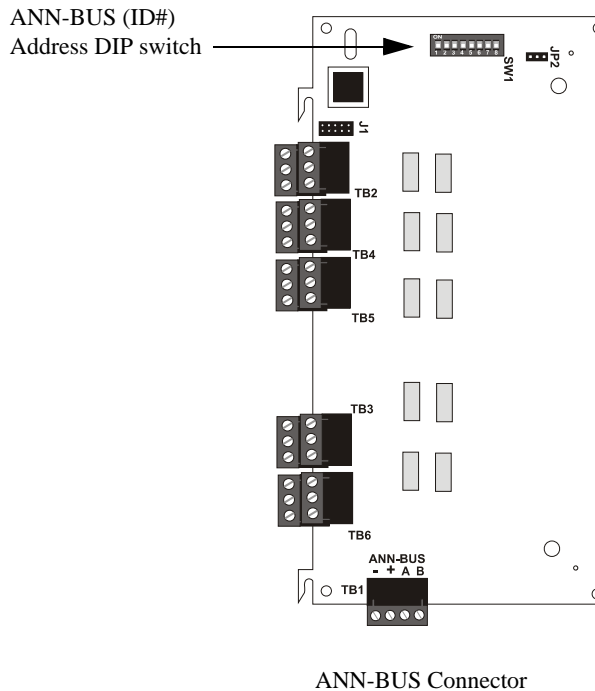


Figure 2.24 ANN-RLY Board Layout

2.7.9.2 Specifications

- Operating Voltage: 24 VDC
- Max. Current:
 - ✓ Alarm: 75 mA
 - ✓ Standby: 15 mA
- Relay Contact Ratings:
 - ✓ 2.0 amps @ 30 VDC (resistive)
 - ✓ 0.5 amps @ 30 VAC (resistive)
- Operating Temperature: 32° F to 120° F (0° C to 49° C)
- For indoor use in a dry location only

2.7.9.3 Mounting/Installation

The ANN-RLY relay module can be mounted inside the FACP main circuit board chassis.

2.7.9.4 ANN-RLY Connection to FACP

Figure 2.23 illustrates the ANN-RLY board showing locations of screw terminals for connection to the FACP and the DIP switches for selecting the ANN-BUS ID number.

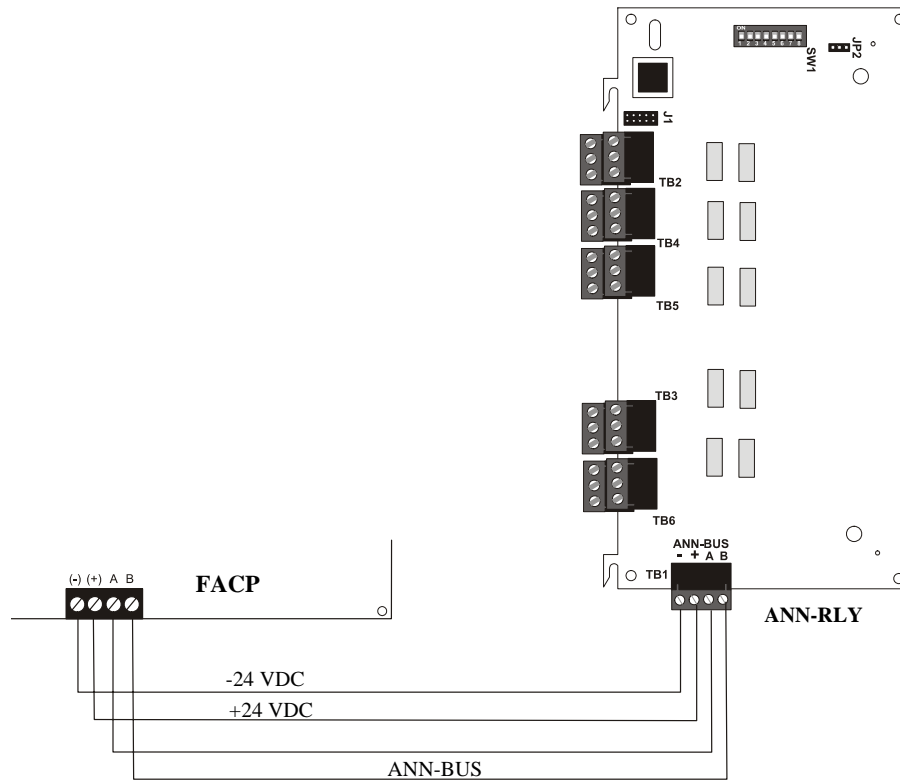


Figure 2.25 ANN-RLY Connection to FACP

SECTION 3 Programming

NOTICE TO USERS, INSTALLERS, AUTHORITIES HAVING JURISDICTION AND OTHER INVOLVED PARTIES			
This product incorporates field-programmable software. In order for the product to comply with the requirements in the Standard for Control Units and Accessories for Fire Alarm Systems, UL 864, certain programming features or options must be limited to specific values or not used at all as indicated below.			
Program feature or option	Permitted in UL 864? (Y/N)	Possible settings	Settings permitted in UL 864
ANN-80 Lock Enable	Y	Lock Enable Yes Lock Enable No Refer to Lock Enable in "ANN-80 Options" on page 76	Lock Enable Yes

3.1 User Programming



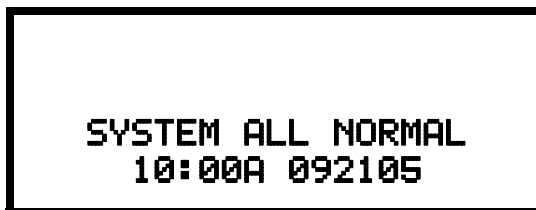
The FACP is completely field programmable using the panel keypad and requires no special software skills. *While programming the FACP, the fire protection capabilities of the control panel are enabled.*

Program Templates have been provided to allow the panel to be quickly programmed with typical job-site configurations. Refer to "Circuit Mapping and Cross-Zoning" on page 103 for an explanation of mapping and cross-zoning and "FACP Configuration Templates" on page 108 for a detailed description of each template.

Site-specific programming may be accomplished:

- by Manual programming or editing, using the FACP keypad

The *System All Normal* screen will be displayed in a programmed system with no active alarms, troubles or supervisories, as illustrated below:



Read Status mode can be entered while the panel is in any mode of operation. If an alarm or supervisory event exists at the panel, the event must be cleared before entering Programming mode. *The exception to this is the programmer/operator can access Programming mode if the supervisory is due to the **Disable Release** event. Refer to Table 3.1 on page 52.*

To access any of the programming or read status features, the *Enter* or *Mode* key must be pressed, which will cause the LCD to display the following:



Pressing *1*, while this screen is being displayed, will cause the control panel to enter the Read Status Mode which allows the user to view the programmed features and status of the control panel. The Read Status feature is not password protected. Refer to "Read Status" on page 92 for a detailed description of this feature.



See Page

Pressing 2 will select user Programming Mode which may only be accomplished by an authorized person. After pressing 2, a screen will prompt for a password. After entering the correct password, the user may select from a list of programming options.

Exit Programming and Read Status Mode

The programmer can exit any mode by repeatedly pressing the keypad *ESC* (Escape) key until the display reads System All Normal. *Note that the data which is entered during Programming mode is automatically saved by the panel as soon as the data is entered. If the Reset key is pressed or power is lost before exiting Programming mode, all data just entered will not be lost.*

User Programming Levels

There are two user programming levels:

- User Master Program Level 1 is used for programming panel specific data relating to device types, zoning, messages, control panel functions, etc.
- User Maintenance Program Level 2 is used by a qualified operator to access features such as Disable/Enable, View and Clear History, Walktest and System Time Change.

3.2 Initial Power-up

The following sections describe the initial programming procedures for a new system. The same procedures are used to modify programming in an existing system.

After completing the wiring of devices to the FACP, apply power to the control panel. If wiring has not been completed and/or End-of-Line resistors are not installed at the panel, a trouble condition will be indicated at the panel and a trouble message will be displayed on the LCD. Following is an example of a possible trouble message that may be displayed.



3.3 Programming Screens Description

Two options are available when the *Enter* key is pressed: Read Status and Programming Mode. The Read Status and Programming options have multiple functions or features which may be chosen. To view all of the choices, it is necessary that the programmer scroll through a number of additional *subscreens*. These selections are displayed on multiple screens to make them more readable for the programmer. Refer to "Master Programming Level" on page 49, for additional information on the various screens.



The title of the main option screen will always be displayed at the top of the subscreens for the programmer's convenience. If additional subscreens exist, an Up or Down arrow will be displayed in the upper right corner of the screen being viewed. The programmer can then press the keypad Up or Down arrow key to view the new subscreen. To select one of the choices in a screen, the programmer presses the keypad numerical key corresponding to the desired choice.

Note that subscreens may also have multiple options which require viewing more than one screen. The same process, as detailed in the previous paragraphs, is followed to view all option choices.

3.4 Programming and Passwords



There are two factory set programming passwords which will access the Programming screens as indicated in the following examples. From either of the screens, access to specific system and device features or programming may be obtained. All user programming entries are stored in nonvolatile memory. The factory set passwords can be changed by the user as described in "Password Change" on page 80. If an invalid password is entered, the blinking cursor will return to the first password character position. To exit Programming or Read Status mode at any time, press the *ESC* (Escape) key repeatedly. Note that as soon as program data is entered, the data is automatically saved by the panel. If the *Reset* key is pressed or power is lost before exiting Programming mode, the data just entered will not be lost.

To access user Programming mode, press the *Enter* or *Mode* key. The LCD will display the following:

```

1=READ STATUS MODE
2=PROGRAMMING MODE

```

To enter the user Programming mode, press 2. The display will read as follows:

```

PROGRAMMING
ENTER PASSWORD
*****

```

Entering the Master level password (default 00000) will cause the following screen to appear:

```

PROGRAMMING
1=FACP CONFIG    TS
2=INPUT ZONES
3=OUTPUT CIRCUITS

```

Programming Screen #1

If the Maintenance level password (default 11111) is entered, the following screen will appear:

```

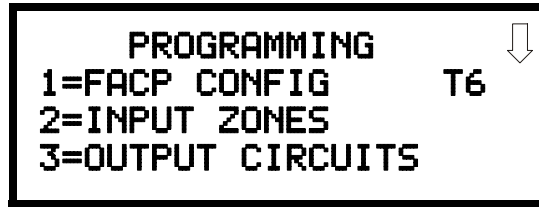
PROGRAMMING
1=INPUT ZONES
2=HISTORY
3=WALKTEST

```

Note that in the two preceding screens, an arrow appears to inform the programmer that additional options can be viewed by pressing the keypad *down* arrow key.

3.5 Master Programming Level

When the Master Program Level password is entered, the control panel will enter user Programming mode. In this mode, the piezo sounder remains off, the trouble relay is activated and the system Trouble indicator flashes until Programming mode is exited. The following display will appear:

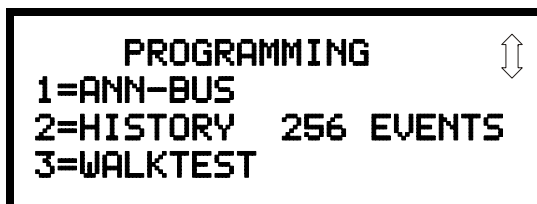


Programming Screen #1

The down arrow which appears in the display indicates that additional programming choices can be viewed by pressing the down arrow key on the keypad. If a down and up arrow appear in the display, pressing the 'down' arrow key will display the subsequent Programming Screens as illustrated below while pressing the 'up' arrow key will display the previous screen.



Programming Screen #2



Programming Screen #3



Programming Screen #4

3.5.1 FACP CONFIG (Application Templates)

For a detailed description of each Template, refer to "FACP Configuration Templates" on page 108. The FACP Configuration option allows the user to program the FACP with one of seven factory preprogrammed templates or one custom template which can be programmed by the user. The templates have been provided to allow the user to quickly program the panel with typical job-site configurations. The user may choose to select one of the templates or bypass this option, proceeding to the next sections which detail customized programming of the FACP.

PROGRAMMING
1=FACP CONFIG USER
2=INPUT ZONES
3=OUTPUT CIRCUITS

Programming Screen #1

A factory template may be chosen and later changed to better fit a site requirement. The changed template can be saved as the one custom template.

Pressing 1, while viewing Programming Screen #1, will select the *FACP Config* option and display the following screen:

```

FACP CONFIG
1=N/A
2=N/A
3=N/A
  
```

FACP Config Screen #1

Pressing the down arrow key will display screens for additional Templates and the Custom Template. During initialization of the panel following power-up or reset, the selected Template will be displayed by the LCD.

Note: Only Templates 7 through 13 are available for the MRP-2001/E Pre-Action/Deluge Control Panel.

To select a pre-programmed templates, press the number key corresponding to the desired template. Note that the factory templates may pre-set most programmable features of the FACP.

3.5.2 Input Zones

The Input Zones option allows the user to initially program or change the programming for the six input zones (circuits). Pressing 2, while viewing Programming Screen #1, will select the Input Zones option and display a screen similar to the following:

```

INPUT ZONES
1=ZONE 1
2=ZONE 2
3=ZONE 3
  
```

Input Zone Screen #1

Pressing the down arrow key will display additional screens for Input Zones 4 through 6. To program a specific zone, press the number key corresponding to the desired zone while viewing one of the Input Zone screens.

To program Input Zone 1, press the 1 key while viewing Input Zone Screen #1. The following screens will be displayed:

```

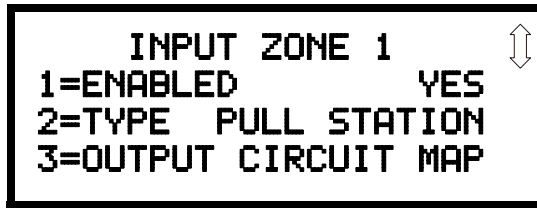
INPUT ZONE 1
Normal PULL STATION

PRESS ↓ TO EDIT
  
```

Edit Input Zone Screen #1

To change the programming for the displayed zone, press the keyboard 'down' arrow key to view the Edit Zone screens.

The following examples show the editing of Input Zone 1:



Edit Input Zone Screen #2



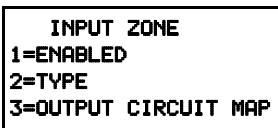
Edit Input Zone Screen #3

Enable/Disable Zone

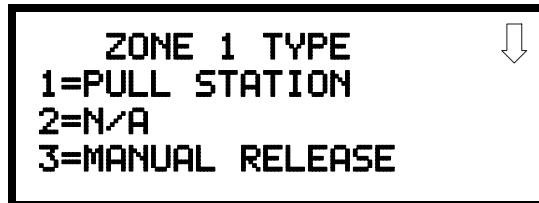
To Enable or Disable the zone, press the 1 key while viewing the Edit Input Zone Screen #2. Each press of the key will toggle the screen between *Enabled Yes* and *Enabled No*. If *Enabled No* is selected, the zone will be disabled by the control panel, preventing the circuit from reporting alarms and troubles to the panel. The control panel LCD will display the zone which has been disabled and FACP will turn on the Trouble indicator.

Type

To select the type of zone being programmed, press the 2 key while viewing the Edit Input Zone Screen #2. This will cause the control panel to display the following Zone Type Screen:



Edit Input Zone Screen #2



Zone Type Screen #1

Pressing the down arrow key displays additional zone types as indicated in the following table.

Table 3.1 Zone Types

Zone Type	Action When Activated
Pull-Station	Fire Alarm
Manual Release ¹	Fire Alarm
Normally Open Contact	Fire
N/A	
N/A	
Waterflow	Fire
Waterflow NS (nonsilenceable)	Fire, nonsilenceable
Combo	Fire/Supervisory
Combo w/AutoResettable Superv ²	Fire/Supervisory, nonlatching
2-Wire Smoke	Fire Alarm
2-Wire Heat	Fire Alarm
Linear Heat	Fire Alarm
N/A	
N/A	
Fire	Fire Alarm
Low Pressure	Supervisory, latching
Low Pressure AutoResettable ²	Supervisory, nonlatching
High Pressure	Supervisory
High Pressure AutoResettable ²	Supervisory, nonlatching
Disable Release ³	Supervisory, nonlatching (disables Release Circuits)
Supervisory	Supervisory, latching
Supervisory AutoResettable ²	Supervisory, nonlatching
N/A	
2nd-Shot Water Switch ⁴	Fire Alarm, nonlatching

Table Footnote

1. Activation of a Manual Release Switch will override Predischage Delay, resulting in an immediate water release.
2. *AutoResettable* means that a device with this type code, when activated, will automatically reset when the corresponding condition is cleared.
3. *Disable Release* allows the installer to disable the releasing solenoids during system testing. Disable Release will only work when the system is **not** in alarm.
4. The *2nd-Shot Water Switch* provides the option of performing another immediate water release manually. Refer to "2nd-Shot Water Switch" on page 90.

While viewing any Zone Type screen, select the type of zone being programmed by pressing the corresponding keyboard number key. The display will return to Edit Input Zone Screen #2 and indicate the selection next to the Type option.

Output Circuit MAP

Output Mapping (per input zone) allows the programmer/operator to assign the Output Circuits that will be activated when a particular Input Zone or cross-zoned releasing group goes active. Pressing 3 for *Output Circuit Map* while viewing Edit Input Zone Screen #2 will display screens which show the Output Circuits programmed to activate when the selected Input Zone (or cross-zoned releasing group) is activated. Output Map Screen #1 displays the Output Type Codes and programming for Output Circuits 1 through 3 and Output Map Screen #2 displays the Output Type Code and programming for Output Circuit 4.

INPUT ZONE #
1=ENABLED
2=TYPE
3=OUTPUT CIRCUIT MAP

Edit Input Zone Screen #2

As an example, if Template 6 has been selected as the FACP Configuration [refer to "FACP CONFIG (Application Templates)" on page 50], selecting the Output Circuit Map for Input Zone 1 will display the following screens:

```

      OUTPUT MAP ZONE 1  ↓
      1=ALARM  NAC      YES
      2=WATERFLOW NAC   NO
      3=RELEASE 1      YES
    
```

Output Map Screen#1

```

      OUTPUT MAP ZONE 1  ↑
      4=SUPV  BELL  NAC  N/A
    
```

Output Zone Screen#2

The screens indicate that when Input Zone 1 is activated:

- Output Circuit #1 default programmed as *Alarm NAC* will activate (Yes)
- Output Circuit #2 default programmed as *Waterflow NAC* will not activate (No)
- Output Circuit #3 default programmed as *Release 1* will activate (Yes)
- Output Circuit #4 default programmed as *Supv Bell NAC* is not mapped (N/A)

Note that the MAP may indicate that an Input Zone is programmed to a particular Output Circuit but, if it is cross-zoned with one or more other Input Zones, all must be active in order to activate the Output Circuit. Refer to the examples in "Circuit Mapping and Cross-Zoning" on page 103.

The Output Circuit Map can be customized by selecting or deselecting any of the four output circuits for activation. Pressing the number key corresponding to the selected output will toggle the display between *Yes* for activation by the Input Zone to *No* for no activation. The new customized programming is automatically saved by the panel as soon as it is entered.

INPUT ZONE #
1=NOUN/ADJECTIVE
2=DESCRIPTION

Edit Input Zone Screen #3

Noun/Adjective

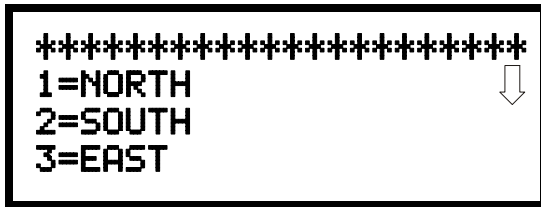
The Noun/Adjective selection allows the programmer to enter specific descriptors about the detector currently being programmed. Pressing 1 while viewing Edit Input Zone Screen #3 will cause the following screen to be displayed:

```

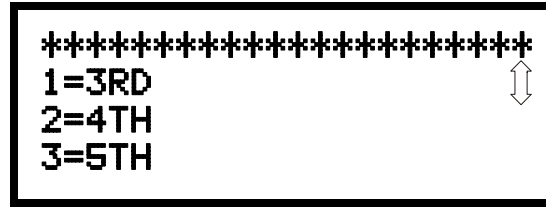
      1=STANDARD ADJECTIVE
      2=STANDARD NOUN
    
```

Noun/Adjective Screen

Pressing 1 while viewing the Noun/Adjective Screen will cause the following screen(s) to be displayed. Note that the keyboard *down* arrow key must be pressed to see all the Adjective screens. Press the number corresponding to the adjective that is to be used as a descriptor for the location of the detector currently being programmed. When an adjective has been selected, it will appear at the top of the display as indicated by the asterisks.



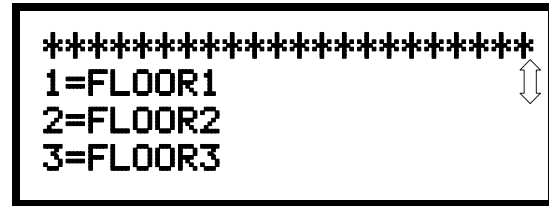
Adjective Screen #1



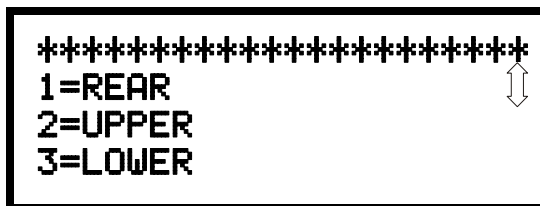
Adjective Screen #5



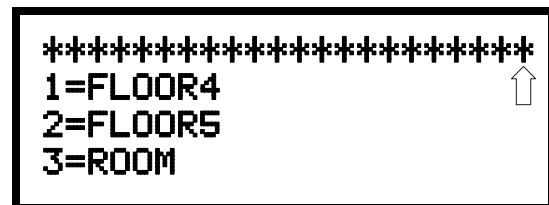
Adjective Screen #2



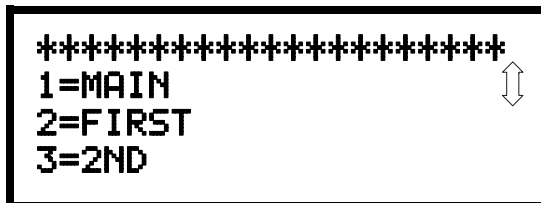
Adjective Screen #6



Adjective Screen #3



Adjective Screen #7



Adjective Screen #4

Pressing 2 while viewing the Noun/Adjective Screen will cause the following screen(s) to be displayed. Note that the keyboard *down* arrow key must be pressed to see all the Noun screens. Press the number corresponding to the noun that is to be used as a descriptor for the location of the detector currently being programmed. When a noun has been selected, it will appear at the top of the display as indicated by the asterisks.



Noun Screen #1



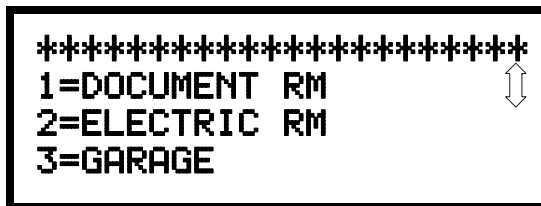
Noun Screen #4



Noun Screen #2



Noun Screen #5

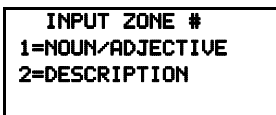


Noun Screen #3



Noun Screen #6

Description



Edit Input Zone Screen #3

The Description selection allows the programmer to enter additional information about the detector currently being programmed. This information will be displayed as part of the device label on the display. Pressing 2 while viewing Edit Input Zone Screen #3 will cause the following screen to be displayed:



Adjective/Noun Screen

A flashing cursor will appear at the first asterisk to the left. The programmer can enter additional descriptive information about the device being programmed. This information will appear on the display along with the standard device label information.

A maximum of 20 characters (including spaces) can be entered. To enter alphanumeric characters from the keypad, repeatedly press the appropriate key until the desired character is displayed in the first position. For example, to enter the letter *B*, press the 2 (ABC) key three times to toggle through the characters *I*, *A* and *B*. Press the right arrow key to move the cursor one position to the right and repeat the process to enter the next character. To enter a space, press the * (QZ) key four times until a blank appears in the desired position. When all characters have been entered, press the Enter key to store the information. The display will return to the Edit Detector Screen #5, displaying the new information at the bottom of the screen.

Recall/Increment Function

In addition, the user may use the Recall/Increment function at any time when the cursor is on the first letter of the Description, Adjective or Noun field as follows:

- If the zero key is pressed, a 0 is placed in the first letter position
- If the zero key is then pressed a second time with no intervening key actions, the entire field is replaced with the field entered *for the previous device programmed*, and the cursor moves to the last character of the field (Recall function). The Recalled Adjective or Noun field may now be changed letter-by-letter
- If the zero key is pressed again with no other intervening key actions and the last character in the field is a number 0-9, the number is incremented by one. If the last character is a letter, it changes to a 0. If the last character goes from 9 to 0 and the characters to the left of the last character are also numbers, they are also incremented (overflow)
- The above increment function may be repeated with each press of the zero key

As an example, the user could quickly enter 'FLR_3_ROOM_305' as follows:

1. The cursor is on the first letter of the Adjective field. Press the zero key twice to display *FLR_3*
2. With the cursor on the first letter of the Noun field, press the zero key twice to recall the display *ROOM_304*. The cursor automatically jumps from the first to the last letter of the Noun field
3. With the cursor on the last letter of the Noun field, press the zero key again to increment the room number to *305*
4. Press the Enter key to store the information

3.5.3 Output Circuits

The options for the Output Circuits on the control panel main circuit board can be configured by pressing 2 while viewing Programming Screen #2. The following screens will be displayed:

PROGRAMMING
1=FACP CONFIG
2=INPUT ZONES
3=OUTPUT CIRCUITS

Programming Screen #1

```

      OUTPUT CIRCUITS  ↓
      1=OUTPUT 1
      2=OUTPUT 2
      3=OUTPUT 3
    
```

NAC Selection Screen

```

      OUTPUT CIRCUITS  ↑
      1=OUTPUT 4
    
```

NAC Selection Screen

The Output Circuits can be configured independently by pressing 1 for Output 1, 2 for Output 2, 3 for Output 3 or 4 for Output 4.

To program an Output circuit, press the number corresponding to the Output to be programmed. The following screens will be displayed for each selection:

```

      OUTPUT #  ↓
      1=ENABLED      YES
      2=TYPE          ALARM NAC
    
```

Output Screen #1

```

      OUTPUT #  ↑
      1=SILENCE      NON-SIL
      2=AUTO SILENCE  NO
      3=SIL INHIBIT  NO
    
```

Output Screen #2

```

      OUTPUT #  ↑
      1=CODING
      STEADY
    
```

Output Screen #3

3.5.3.1 Enabled

Pressing 1 while viewing Output Screen #1 will cause the display to change to *Enabled No*. This will prevent the selected main circuit board NAC from activating its devices. Each press of the 1 key will cause the display to toggle between *Enabled Yes* and *Enabled No*.

*Note that if a circuit is disabled, a **trouble** will be logged on the FACP until the circuit is enabled. The exception is when a Release Circuit is disabled, a **supervisory** will be logged on the FACP until the circuit is enabled.*

```

NAC #
1=ENABLED
2=TYPE  ALARM NAC
    
```

NAC Screen #1

3.5.3.2 Type

Pressing 2 while viewing Output Screen #1 will cause the following screen to be displayed:

```

EDIT OUTPUT # TYPE
1=RELEASE CIRCUIT 1
2=RELEASE CIRCUIT 2
3=ALARM NAC
    
```

Edit Output # Type Screen

Pressing the down arrow key while viewing the Edit Output Type Screen will display additional screens with the types shown in the following table:

Release Circuit 1
Release Circuit 2
Alarm NAC
Waterflow NAC
Release Stage NAC
Horn NAC
Strobe NAC
Supv Bell NAC
Trouble Bell NAC

Press the number key corresponding to the desired Output Type to program the selected Output.

3.5.3.2.1 Release Circuit 1 or Release Circuit 2

If Release Circuit 1 or Release Circuit 2 is selected as the Output Type, the following subscreen will be displayed:

```

EDIT RELEASE CIR #
1=UNSUPV SHORTS
2=SUPV SHORTS
    
```

This screen allows the programmer to select whether or not to supervise the Releasing Circuit Output for shorts.

- When a normally-closed releasing solenoid is connected to the output circuit, pressing 1 will prevent the FACP from supervising the output circuit for shorts.
- When a normally-open releasing solenoid is connected to the output circuit, pressing 2 will allow the FACP to supervise the output circuit for shorts.

Note: Release circuits may be directly activated by a single input zone or may be activated using cross-zoned inputs. Refer to "Circuit Mapping and Cross-Zoning" on page 103 for a description of cross-zoning and input to output circuit mapping.

3.5.3.2.2 Release Stage NAC

If Release Stage NAC is selected as the Output Type, the following subscreen will be displayed:

```

RELEASE STAGES
1=RELEASE 1 ONLY
2=RELEASE 2 ONLY
  
```

An NAC can be used to signal the two stages of a release operation. This screen allows the programmer to select the NAC output that will indicate the release stages for Release Circuit 1 or Release Circuit 2. For a description of this feature, refer to "Release Stages" on page 91.

3.5.3.3 Silence

Pressing 1 while viewing Output Screen #2 will cause the following screen to be displayed:

```

OUTPUT #
1=SILENCE NON-SIL
2=AUTO SILENCE NO
3=SIL INHIBITED NO
  
```

Output Screen #2

```

SILENCEABLE
1=SILENCEABLE
2=NON SILENCEABLE
3=SYNC MUTE
  
```

Silenceable Screen

Pressing 1 while viewing the Silenceable Screen will program the selected Output as a silenceable circuit. This will allow the Output to be silenced by pressing the Alarm Silence key or by the Auto Silence feature.

Pressing 2 while viewing the Silenceable Screen will program the selected Output as a nonsilenceable circuit. This will prevent the selected main circuit board Output from being silenced by pressing the Alarm Silence key or by the Auto Silence feature.

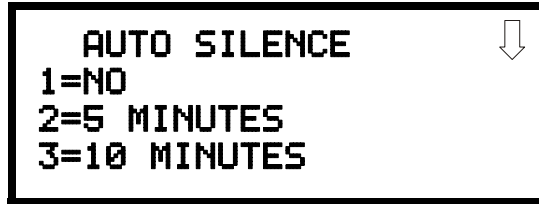
Pressing 3 while viewing the Silenceable Screen will program the selected Output as a synchronized mute circuit. Refer to "Synchronized NAC Operation" on page 62 for a description of synchronization.

Note: If the Output Circuit has been programmed as a Releasing Circuit, the Silenceable Option will not be available and the display will indicate *N/A* next to it.

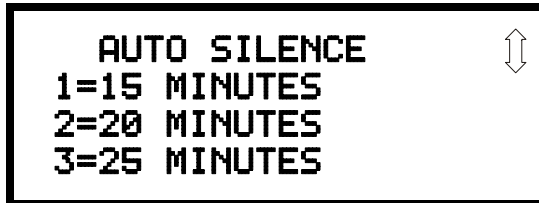
Important: When an Output Circuit with a mix of audible and visual devices is programmed for Sync Mute, only the audible devices will be turned off if the Silence key is pressed or if the Autosilence feature is enabled. The visual devices (strobes, etc.) will continue to operate.

3.5.3.4 Auto Silence

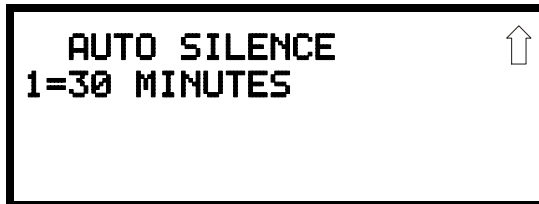
The Auto Silence feature, when enabled, automatically silences all main circuit board silenceable notification appliances after a programmed length of time. To enable this feature and program the time delay before Auto Silence activation, press 2 while viewing Output Screen #2. The following screens will be displayed:



Auto Silence Screen #1



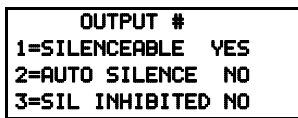
Auto Silence Screen #2



Auto Silence Screen #3

To disable the Auto Silence feature, press 1 for *No* while viewing Auto Silence Screen #1. To enable the Auto Silence feature, press the number corresponding to the time delay which will elapse before Auto Silence activates. This information will be stored in memory and the display will return to NAC Screen #1.

Note: If the Output Circuit has been programmed as a Releasing Circuit, the Auto Silence Option will not be available and the display will indicate *N/A* next to it.



Output Screen #2

3.5.3.5 Silence Inhibited

The Silence Inhibit feature, when enabled, prevents the silencing of the selected main circuit board Output for a period of one minute. Resetting the FACP will also be prevented for one minute while the Output programmed for silence inhibit is activated. Pressing 3 while viewing Output Screen #2 will cause a screen to be displayed with the options 1=*No Silence Inhibit* and 2=*1 Min. Silence Inhibit*. Pressing 1 will disable the Silence Inhibit feature while pressing 2 will enable a 1 minute Silence Inhibit for the selected Output.

3.5.3.6 Coding

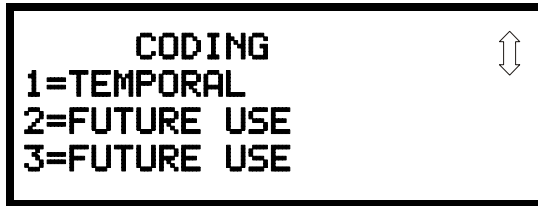
The Coding feature allows the programmer to select the type of output that the main circuit board outputs will generate when activated. Pressing 1 while viewing Output Screen #3 will cause the following displays to appear:



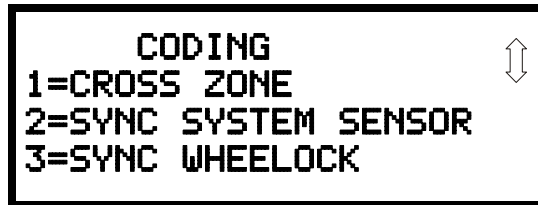
Output Screen #3



Coding Screen #1



Coding Screen #2



Coding Screen #3



Coding Screen #4

The programmer can select the notification appliance output coding by pressing the number corresponding to the desired output. The coding selections are:

- Steady - a continuous output with no coding
- March Time - 120 ppm (pulse-per-minute) output
- California - 10 seconds on and 5 seconds off
- Temporal - ½ second on, ½ second off, ½ second on, ½ second off, ½ second on, 1½ second off
- Cross-Zone:
 - ✓ 1st zone of a cross-zoned group in alarm causes programmed NAC output to pulse 1 second on and 1 second off
 - ✓ 2nd zone of a cross-zoned group in alarm causes programmed NAC output to pulse ½ second on and ½ second off - *Note: if more than three zones are cross-zoned, the programmed NAC output will continue to pulse ½ second on and ½ second off for each subsequent zone in alarm, until the final zone in the cross-zoned group goes into alarm*
 - ✓ All zones of a cross-zoned group in alarm causes the output programmed as a Releasing Circuit to perform a release and the programmed NAC output to turn on steady
- Synchronized output for System Sensor, Wheelock, Gentex, Faraday or Amseco - Refer to "Synchronized NAC Operation" on page 62 for additional information.

Selection of one of the above options will cause the control panel to store the information in memory and return the display to Output Screen #1, which will display the new coding choice.

Note: If the Output Circuit has been programmed as a Releasing Circuit, the Coding Option will not be available and the display will indicate *N/A* next to it.

3.5.3.6.1 Synchronized NAC Operation

Synchronization is a panel feature that controls the activation of notification appliances in such a way that all devices will turn on and off at exactly the same time. This is particularly critical when activating strobes which must be synchronized to avoid random activation and a potential hazard or confusion. The FACP can be programmed to operate with a variety of manufacturer's devices.

Notes:

1. *The NAC1 output can be used to synchronize notification appliances connected to external panels such as remote power supplies.*
2. *For Dual Hazard applications, NAC circuits are not synchronized.*

3.5.3.6.1.1 Maximum Number of Strobes for Synchronization

The maximum current draw for a Notification Appliance Circuit cannot exceed 3.0 amps. Refer to the manufacturer's documentation supplied with the Strobes to determine the maximum current draw for each strobe and ensure that the circuit maximum is not exceeded.

To ensure proper strobe and circuit operation, there is also a limit to the number of strobes that can be attached to each circuit. Following is a list of the strobes that have been tested with this FACP and the maximum number that can be connected to each NAC. Make sure that the NAC maximum current is not exceeded:

- ✓ System Sensor: 46 Strobes
- ✓ Wheelock: 50 Strobes
- ✓ Gentex: 39 Strobes
- ✓ Faraday: 33 Strobes
- ✓ Amseco: 34 Strobes

3.5.4 Cross Input Zones

An application may require that two or more input zones become active at the same time before a particular releasing output activates. This is referred to as cross-zoning. For example, an installer may want four particular zones to become active at the same time before a releasing circuit is activated. By using the Cross Input Zone feature, the programmer can designate the input zones that must become active and the output circuits that will be affected.

The Cross Input Zone option allows the user to view and program the groups of input zones that will be used to activate one of the releasing output circuits. Pressing 1 while viewing Programming Screen #2 will display a screen similar to the following:

PROGRAMMING
1=CROSS INPUT ZONES
2=ON-BOARD RELAYS
3=SYSTEM SETUP

Programming Screen #2

CROSS INPUT ZONES
1=RELEASE 1 GROUPS
2=RELEASE 2 GROUPS

This screen allows the programmer to view the cross-zoned grouping for Release Circuit 1 or Release Circuit 2. In the following example, Template 7 has been chosen as the FACP Configuration [refer to "FACP CONFIG (Application Templates)" on page 50]. Pressing 1 for Release 1 Groups will display the following screen:

REL 1 CROSS GROUPS
1= X 1 2
2= NONE
3= NONE

The display indicates that Input Zone 1 is cross-zoned with Input Zone 2. Input Zone 3 is not cross-zoned.

The user can alter the cross-zoning by pressing the number key corresponding to the Zone to be reprogrammed. Screens similar to the following will be displayed:

REL 1 CROSS GROUP 1 ↓
1=ZONE 1 YES
2=ZONE 2 YES
3=ZONE 3 NO

Select Cross Zone Screen #1

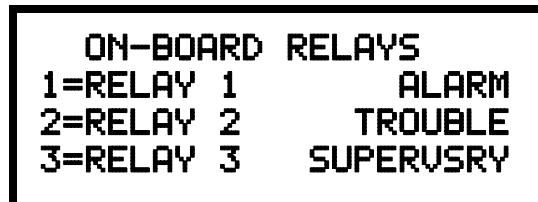
REL 1 CROSS GROUP 1 ↑
1=ZONE 4 NO
2=ZONE 5 NO
3=ZONE 6 N/A

Select Cross Zone Screen #2

In this example, since the cross-zoning for Release Circuit 1 (Zone 1) is being displayed, *Yes* is shown for Zone 1 which is cross-zoned with Zone 2. Zone 2 displays *Yes* since it is cross-zoned with Zone 1. The remaining zones display *NO* or *N/A* for no cross-zoning to Zone 1. By pressing the number key corresponding to the desired zone, the display for that zone will toggle between *Yes* and *No* indicating cross-zoning to Zone 1 or no cross-zoning to Zone 1.

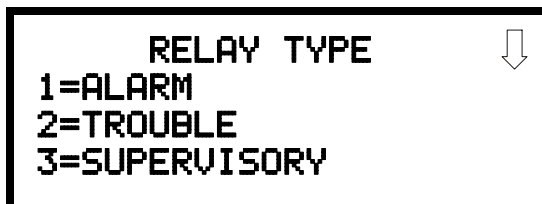
3.5.5 On-Board Relays

Pressing 2 while viewing Programming Screen #2 will allow the programmer to configure the three main circuit board Form-C relays. The following screen will be displayed:

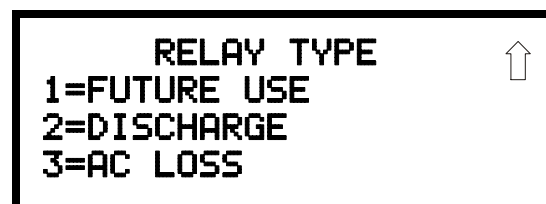


Relays Selection Screen

To program Relay 1, 2 or 3, press the number corresponding to the selected relay. The following screens will appear for each relay to be programmed:



Relay Screen #1



Relay Screen #2

While viewing the selected screen, press the number corresponding to the desired relay type to program the main circuit board relay. The choice will be stored in memory and the display will return to the Relay Type Screen which will show the programmed type choice. Press the Escape key to return to the Relays Selection Screen and repeat the preceding procedure for the remaining relays.

3.5.6 System Setup

System Setup allows the programmer to configure the following control panel features:

- *Abort Type:* Future Use
- *Timers:* This option allows the programmer to set the Soak 1, Soak 2, Waterflow and AC Loss time delays.
- *Banner:* This option allows the user to change the top two lines of the LCD display from the factory default readout to a user defined readout when the control panel is in Normal condition.
- *Time-Date:* This feature allows the programmer to set the time, display format (24 hr or 12 hr), date and daylight savings time feature into the FACP memory
- *Trouble Reminder:* This feature, when enabled, provides an audible reminder that an alarm or trouble still exists on the FACP after the control panel has been silenced. The control panel piezo sounder will pulse once every 15 seconds during an alarm and every two minutes during a trouble condition, after the Alarm Silence or Acknowledge key is pressed. The piezo will continue to sound at these rates until the alarm or trouble condition is cleared. If the *Trouble Reminder* feature is not enabled and a trouble condition is not cleared within 24 hours, the panel will reactivate the trouble sounder and send an Abnormal 24 hour Test message via the optional communicator.
- *Charger Disable:* This option allows the programmer to disable the onboard battery charger in the event an external battery charger is being used.

Pressing 3 for System Setup, while viewing Programming Screen #2, will cause the following screens to be displayed:

```

PROGRAMMING
1=CROSS INPUT ZONES
2=ON-BOARD RELAYS
3=SYSTEM SETUP
    
```

Programming Screen #2

```

          SYSTEM SETUP
          1=FUTURE USE
          2=TIMERS
          3=BANNER
    
```

System Setup Screen #1

```

          SYSTEM SETUP
          1=TIME-DATE
          2=TROUBLE REMIND NO
          3=CHARGR DISABLE NO
    
```

System Setup Screen #2

```

          SYSTEM SETUP
          1=ABORT TYPE
          2=TIMERS
          3=BANNER
    
```

System Setup Screen #1

3.5.6.1 Timers

Timers for Soak, Waterflow Delay and AC Loss Delay can be programmed by pressing 2 while viewing System Setup Screen #1. The following screen will be displayed:

```

          TIMERS
          1=SOAK 1 1 MIN
          2=SOAK 2 2 MIN
          3=WATERFLOW DELAY 60S
    
```

Timer Screen #1

```

          TIMERS
          1=AC LOSS DELAY 2 HR
    
```

Timer Screen #2

3.5.6.1.1 Soak 1 or Soak 2

The factory default setting for Soak Time is 10 minutes. To select a Soak Time delay of 10 to 30 minutes, press 1 for Soak 1 (Release Circuit 1) or 2 for Soak 2 (Release Circuit 2) while viewing Timer Screen #1. The following display will appear:

```

SOAK # TIME
1=ALWAYS ON
2=ENTER MINUTES

```

Soak Time Setup Screen

Pressing 1 while viewing the Soak Time Setup Screen will program the corresponding releasing circuit to remain on during alarm activation until the alarm is cleared and the panel is reset.

Pressing 2 while viewing the Soak Time Setup Screen will display the following screen:

```

SOAK # TIME
RANGE 10-30 MINUTES

```

Soak Time Screen

This screen allows the user to program a specific length of time for the releasing circuit to remain active after an input initiating a release has cleared. A flashing cursor is positioned in the lower left corner of the display. Enter a soak time consisting of two digits, such as 10 for ten minutes. Upon entering the second digit, the time delay will be stored in the control panel memory and the display will return to the Delay Screen which will indicate the new soak time. In this example, when the input circuit which initiated a release has cleared, the soak timer will start, allowing the releasing circuit to continue releasing water for a total of ten minutes and then deactivate.

```

TIMER
1=SOAK 1      1 MIN
2=SOAK 2      2 MIN
3=WATERFLOW DELAY 0 S

```

Timer Screen #1

3.5.6.1.2 Waterflow Delay

A delay can be added prior to declaring a waterflow type of alarm. Be careful to include any built-in delays of the waterflow device. The factory default setting for Waterflow delay is 00 for no delay. To select a Waterflow delay of 01 to 90 seconds for all devices programmed for Waterflow delay, press 3 while viewing Timer Screen #1 to display the following screen:

```

WATERFLOW DELAY
RANGE 00-90 SECONDS

```

Waterflow Delay Screen

A flashing cursor is positioned in the lower left corner of the display. Enter a delay time consisting of two digits, such as 25 for twenty-five seconds. Upon entering the second digit, the time delay will be stored in the control panel memory and the display will return to the Delay Screen which will indicate the new delay time.

3.5.6.1.3 AC Loss Delay

The reporting of a loss of AC power can be delayed by programming the length of the desired delay. Press *1* while viewing Timer Screen #2 to display the following:

```

AC LOSS DELAY
RANGE 00-24 HOURS

```

AC Loss Delay Screen #1

```

TIMER
1=AC LOSS DLAY 2 HR

```

Timer Screen #2

A flashing cursor will appear in the lower left corner of the display. The factory default setting is 02 hours. Type the two digit AC loss reporting delay in hours (00 to 24 hour delay). When the second digit is entered, the display will return to AC Loss Delay Screen #1.

Note: Upon the loss of AC power at the control panel, relays programmed for AC Loss will transfer immediately, regardless of the *AC Loss Delay* setting. If no troubles other than AC Loss exist in the panel, the System Trouble relay will delay activation for the duration of the *AC Loss Delay* setting.

```

SYSTEM SETUP
1=ABORT TYPE
2=TIMERS
3=BANNER

```

System Setup Screen #1

3.5.6.2 Banner

The top line of the display, which appears when the control panel is in normal mode, can be changed by using the Banner option. Pressing *2* while viewing System Setup Screen #1 will cause the following to be displayed:

```

SELECT BANNER
1=FACTORY BANNER
2=USER BANNER

```

Select Banner Screen

Pressing *1* while viewing the Select Banner Screen will display the following screen:

```

FACTORY BANNER
PRESS ENTER IF OK

```

User Defined Banner Screen #1

This screen allows the user to select the factory default Banner which will be displayed when the system is in Normal Mode of operation. Press the Enter key to accept this as the default display. Press the Escape key to cancel and return to the Select Banner Screen.

Pressing 2 while viewing the Select Banner Screen will display the following screen:



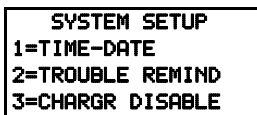
User Defined Banner Screen

This screen allows the programmer to enter a custom banner. A flashing cursor will appear in the bottom left corner of the display. A maximum of 20 characters (including spaces) can be entered into the screen. After entering up to 20 characters in the screen, press *Enter* to store the entry. To quickly clear the current banner, press the *CLR* key.

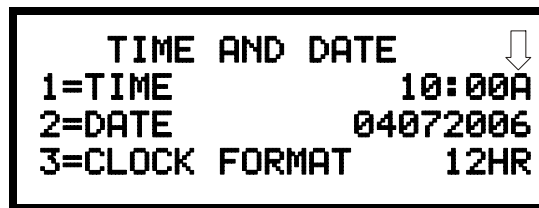
To enter alphanumeric characters from the keypad, repeatedly press the appropriate key until the desired character is displayed in the first position. For example, to enter the letter *B*, press the 2 (*ABC*) key three times to toggle through the characters *I*, *A* and *B*. Press the right arrow key to move the cursor one position to the right and repeat the process to enter the next character. To enter a space, press the * (*QZ*) key four times to place a blank in the desired position. When all characters have been entered, press the *Enter* key to store the information. The display will return to the Select Banner Screen.

3.5.6.3 Time-Date

The control panel time and date can be changed by pressing 1 while viewing the System Setup Screen #2. The following screen will be displayed:



System Setup Screen #2



Time-Date Screen #1



Time-Date Screen #2

3.5.6.3.1 Time

To change the time, press *1* while viewing the Time-Date Screen. The following screen will be displayed:



Time Screen

A flashing cursor is located toward the top left of the display. Below the cursor is the current time. To change the time, enter the two-digit hours followed by the two-digit minutes. The cursor will move one position to the right each time a digit is entered. After the last minutes digit is entered, the cursor will again move one position to the right. At this point enter *1* for AM or *2* for PM. The display will then return to the Time-Date Screen which will show the new time entry. If an error is made while entering a digit, press the *CLR* key to delete the entire entry and beginning again.

3.5.6.3.2 Date

To change the date, press *2* while viewing the Time-Date Screen. The following screen will be displayed:



Date Screen

A flashing cursor is located toward the top left of the display. Below the cursor is the current date. To change the date, enter the two-digit month followed by the two-digit day and then the two-digit year (01 for 2001, 02 for 2002, etc.). The cursor will move one position to the right each time a digit is entered. After the last year digit is entered, the display will return to the Time-Date Screen which will show the new date entry. If an error is made while entering a digit, press the *CLR* key to delete the entire entry and beginning again.

3.5.6.3.3 Clock Format

The clock can be configured to display 12 hour (AM & PM) or 24 hour (military) time. Pressing *3* while viewing the Time-Date screen will cause the display to toggle between 12HR and 24HR. Select 12HR for 12 hour display or 24HR for 24 hour display.

*Note: If the clock is changed to 24 hour (military) format, the date will change to the European standard of **Day-Month-Year** (for display purposes only).*

3.5.6.3.4 Daylight Savings Time

Pressing *1* while viewing Time-Date Screen #2 will cause the following screens to be displayed:

TIME AND DATE
1=DAYLIGHT SAVINGS

Time & Date Screen #2

DAYLIGHT SAVINGS ↓

1=ENABLED YES

2=START MONTH MAR

3=START WEEK WK 2

Daylight Savings Screen #1

DAYLIGHT SAVINGS ↑

1=END MONTH NOV

2=END WEEK WK 1

Daylight Savings Screen #2

Pressing *1* while viewing Daylight Savings Screen #1 will cause the display to toggle between *Enabled Yes* and *Enabled No*. The control panel will automatically update the time for daylight savings time when *Enabled Yes* is selected.

Pressing *2* while viewing Daylight Savings Screen #1 will display another screen which allows the programmer to select the month that daylight savings time will begin. In this sub-screen, pressing *1* will select March, *2* will select April and *3* will select May.

Pressing *3* while viewing Daylight Savings Screen #1 will display two sub-screens which allow the programmer to select the week of the month that daylight savings time will begin. In the first sub-screen, pressing *1* will select the first week, *2* will select the second week and *3* will select the third week, while in the second sub-screen, pressing *1* will select the fourth week and *2* will select the last week of the selected month.

Pressing *1* while viewing Daylight Savings Screen #2 will display another screen which allows the programmer to select the month that daylight savings time will end. In this sub-screen, pressing *1* will select September, *2* will select October and *3* will select November.

Pressing *2* while viewing Daylight Savings Screen #2 will display two sub-screens which allow the programmer to select the week of the month that daylight savings time will end. In the first sub-screen, pressing *1* will select the first week, *2* will select the second week and *3* will select the third week, while in the second sub-screen, pressing *4* will select the fourth week and *5* will select the last week of the selected month.

SYSTEM SETUP
1=TIME-DATE
2=TROUBLE REMIND
3=CHARGR DISABLE

System Setup Screen #2

3.5.6.4 Trouble Reminder

The Trouble Reminder features causes the control panel piezo to sound a reminder 'beep' for alarms and troubles, after the panel has been silenced. Refer to "System Setup" on page 64, for a detailed description of this feature. Pressing *2* while viewing System Setup Screen #2 will cause the display to toggle to *Trouble Remind Yes*, which enables this feature. Each press of the *2* key will cause the display to toggle between *Trouble Remind Yes* and *Trouble Remind No*.

Note that if the Trouble Reminder feature is not enabled, a trouble existing on the panel for more than 24 hours will cause the FACP to resound the trouble sounder.

3.5.6.5 Charger Disable

Pressing *3* while viewing System Setup Screen #2 will allow the programmer to enable or disable the onboard battery charger. If an external battery charger is being used, the onboard battery charger must be disabled. Each press of the *3* key will toggle between *Chargr Disable No* and *Chargr Disable Yes*.

3.5.7 ANN-BUS

Optional ANN-BUS devices available for the FACP include annunciators, relay modules and printer connection for acquiring hardcopy printouts of panel data. Pressing *1* while viewing Programming Screen #3 will cause the control panel to display the following screens.

```

PROGRAMMING
1=ANN-BUS
2=HISTORY
3=WALKTEST

```

Programming Screen #3

```

ANN-BUS
1=BUS ENABLED NO
2=BUS MODULES
3=AUTO CONFIGURE

```

ANN-BUS Screen #1

```

ANN-BUS
1=ANN-S/PG OPTIONS
2=ANN-I/O OPTIONS
3=ANN-80 OPTIONS

```

ANN-BUS Screen #2

```

ANN-BUS
1=ANN-RLY OPTIONS
2=ANN-LED OPTIONS

```

ANN-BUS Screen #3

An ANN-S/PG Printer module, ANN-I/O module, ANN-80 LCD annunciator module, ANN-RLY relay module and ANN-LED module can be installed in the FACP. These devices communicate with the FACP over the ANN-BUS terminals on the control panel.

3.5.7.1 ANN-BUS Enabled

The ANN-BUS must be enabled if any modules are installed on the ANN-BUS terminals. To enable the ANN-BUS, press *1* while viewing ANN-BUS screen #1 so that the display reads *ANN-BUS Enabled Yes*. Each press of the *1* key will cause the display to toggle between *ANN-BUS Enabled Yes* and *ANN-BUS Enabled No*.

3.5.7.2 ANN-BUS Modules

If an ANN-BUS module is installed, press 2 while viewing ANN-BUS screen #1 to select ANN-BUS addresses for the module(s). The following screen will be displayed.

ANN-BUS MODULES		↓
1=ADDR. 1	NONE	
2=ADDR. 2	NONE	
3=ADDR. 3	NONE	

On Board DACT Screen #1

Pressing the down arrow key will allow the programmer to view additional screens displaying Addresses 1 - 8. Pressing the number corresponding to the desired address will display a screen with technical information about the selected module.

In the technical information screen, pressing 1 for *Type* will display the following screens:

ANN-BUS MODULE TYPE		↓
1=NONE		
2=ANN-80		
3=ANN-I/O		

Module Type Screen #1

ANN-BUS MODULE TYPE		↑
1=ANN-S/PG		
2=ANN-RLY		
3=ANN-LED		

Module Type Screen #2

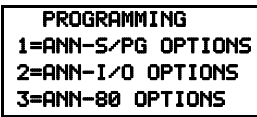
Press the number corresponding to the module type, if any, that is installed with the selected address. ***This will enable the module.***

3.5.7.3 Auto-Configure

The ANN-BUS Auto-Configure features allows the programmer to quickly bring all installed ANN-BUS modules online. The software will search for all ANN-BUS modules and automatically program the device type and address into the system. Pressing *3* while viewing ANN-BUS Screen #1 will begin the Auto-Configure process and cause the following screen to be displayed:



Auto-Configure Screen



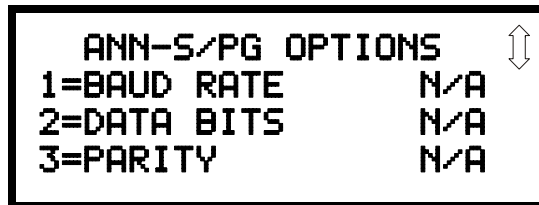
ANN-BUS Screen #2

3.5.7.4 ANN-S/PG Options

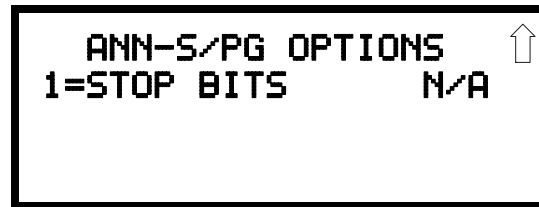
The Printer Option allows the user to configure the optional printer. Pressing *1* while viewing the ANN-BUS Screen #2 will display the following screens:



Printer Options Screen #1



Printer Options Screen #2



Printer Options Screen #3

Pressing *1* for Port while viewing Printer Options screen #1 will allow the programmer to select between a Parallel and Serial Port for printer connection. Each press of the *1* key will cause the display to toggle between *Port PAR* (parallel) and *Port SER* (serial). It is important to note that the interface selected determines which options are available to the user.

If the Parallel Port option is selected, the user has the option to supervise the printer and select an offline timer for the supervision by pressing 2 for Printer Supervision while viewing Print Options screen #1. Each press of the 2 key will cause the display to toggle between *Printer Supv NO* for no supervision and *Printer Supv YES* for printer supervision. Note that this option is not selectable if the Serial Port option has been selected.

If the Parallel Port option is selected, the user has the ability to select an *Offline Timer* by pressing 3 while viewing Print Options screen #1. The resultant screen allows the programmer to program the *Offline Timer* for a delay of between 0 and 255 seconds before loss of printer supervision is reported as a trouble.

If the Serial Port option is selected, the *Printer Supv* and *Offline Timer* options will not be available. The Baud Rate, Data Bits, Parity and Stop Bits options are only available when the Serial Port option has been selected.

Pressing 1 for *Baud Rate* while viewing Printer Options screen #2 will cause a screen to appear which allow the user to select a Baud Rate of *19200, 9600 or 2400*.

Pressing 2 for *Data Bits* while viewing Printer Options screen #2 will cause screens to appear which allow the user to select *5, 6, 7 or 8 Data Bits*.

Pressing 3 for *Parity* while viewing Printer Options screen #2 will cause a screen to appear which allows the user to select between *No Parity, Even Parity or Odd Parity*.

Pressing 1 for Stop Bits while viewing Printer Options screen #3 will cause a screen to appear which allows the user to select between *0.5, 1.0 or 2.0 Stop Bits*.

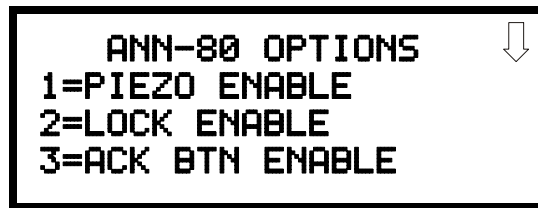
3.5.7.5 ANN-I/O LED Zone Assignments

The information displayed by LEDs on every ANN-I/O module is not programmable and will therefore be as indicated in the following table.

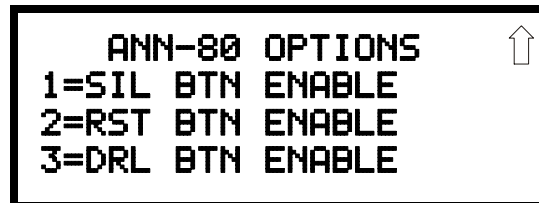
LED	Zone (any address)
1	AC Fault
2	General Alarm
3	General Supervisory
4	General Trouble
5	Alarm Silenced
6	Earth Fault
7	Battery Fault
8	Charger Fault
9	Disable
10	Maintenance
11	Zone 1 Alarm
12	Zone 2 Alarm
13	Zone 3 Alarm
14	Zone 4 Alarm
15	Zone 5 Alarm
16	Zone 6 Alarm
17	Not Used
18	Not Used
19	Not Used
20	Not Used
21	Zone 1 Trouble
22	Zone 2 Trouble
23	Zone 3 Trouble
24	Zone 4 Trouble
25	Zone 5 Trouble
26	Zone 6 Trouble
27	Not Used
28	Not Used
29	Not Used
30	Not Used
31	Zone 1 Supervisory
32	Zone 2 Supervisory
33	Zone 3 Supervisory
34	Zone 4 Supervisory
35	Zone 5 Supervisory
36	Zone 6 Supervisory
37	Not Used
38	Not Used
39	Not Used
40	Not Used

3.5.7.6 ANN-80 Options

Pressing 2 while ANN-BUS screen #2 will display the following screen:



ANN-80 Options Screen #1



ANN-80 Options Screen #2

The *Piezo Enable* option allows the programmer to select whether the piezo sounder on any installed ANN-80 annunciator will ever sound. Pressing 1 while viewing the ANN-80 Options Screen #1 causes the display to toggle between *Piezo Enable Yes* and *Piezo Enable No*.

The *Lock Enable* option allows the programmer to select whether or not the ANN-80 LCD annunciator must be unlocked by its key before any annunciator key presses will function. Pressing 2 while viewing the ANN-80 Options Screen #1 causes the display to toggle between *Lock Enable Yes* (annunciator must be unlocked for keys to function) and *Lock Enable No* (lock position is ignored).

The Acknowledge Button Enable (*ACK BTN ENABLE*) option allows the programmer to select whether the Ack/Step button on any installed ANN-80 LCD annunciator will function normally or always be ignored. Pressing 3 while viewing the ANN-80 Options Screen #1 causes the display to toggle between *Ack Btn Enable Yes* (Ack/Step button functions normally) and *Ack Btn Enable No* (Ack/Step button never functions).

The Silence Button Enable (*SIL BTN ENABLE*) option allows the programmer to select whether the Silence button on any installed ANN-80 LCD annunciator will function normally or always be ignored. Pressing 1 while viewing the ANN-80 Options Screen #2 causes the display to toggle between *Sil Btn Enable Yes* (Silence button functions normally) and *Sil Btn Enable No* (Silence button never functions).

The Reset Button Enable (*RST BTN ENABLE*) option allows the programmer to select whether the Reset button on any installed ANN-80 LCD annunciator will function normally or always be ignored. Pressing 2 while viewing the ANN-80 Options Screen #2 causes the display to toggle between *Rst Btn Enable Yes* (Reset button functions normally) and *Rst Btn Enable No* (Reset button never functions).

The Drill Button Enable (*DRL BTN ENABLE*) option allows the programmer to select whether the Drill button on any installed ANN-80 LCD annunciator will function normally or always be ignored. Pressing 3 while viewing the ANN-80 Options Screen #2 causes the display to toggle between *Drl Btn Enable Yes* (Drill button functions normally) and *Drl Btn Enable No* (Drill button never functions).

3.5.7.7 ANN-RLY Options

Pressing 1 for *ANN-RLY Options* while viewing ANN-BUS Screen #3 will cause the following screen to be displayed:

```

PROGRAMMING
1=ANN-RLY OPTIONS
2=ANN-LED OPTIONS
  
```

ANN-BUS Screen #3

```

ANN-RLY OPTIONS
1=RELAY 1    IN ZONE 1
2=RELAY 2    IN ZONE 2
3=RELAY 3    IN ZONE 3
  
```

ANN-RLY Options Screen

The ANN-RLY module provides ten Form-C relays which can be programmed for various functions. The initial screen displays Relays 1 through 3. Pressing the down arrow key will display the remaining relays for this module.

To program any of the ANN-RLY relays, while viewing the appropriate ANN-RLY Option screen, press the number key corresponding to the relay to be programmed. Following is a list of the available programming options for each relay:

- General Alarm
- General Trouble
- General Supervisory
- Future Use
- Future Use
- Future Use
- General Discharge
- Discharge Release 1
- Discharge Release 2
- AC Loss
- Waterflow Delay
- Future Use
- Future Use
- Future Use
- General 2nd Shot Release
- 2nd Shot Release 1
- 2nd Shot Release 2
- Input Zone 1
- Input Zone 2
- Input Zone 3
- Input Zone 4
- Input Zone 5
- Input Zone 6

3.5.8 History

The History option allows an authorized user to view or erase events which have occurred in the control panel. Pressing 2 while viewing Programming Screen #3 will display the History options as shown in the following display:

```

PROGRAMMING
1=ANN-BUS
2=HISTORY
3=WALKTEST
  
```

Programming Screen #3

```

          HISTORY
    1=VIEW EVENTS
    2=ERASE HISTORY
  
```

History Screen

3.5.8.1 View Events

Pressing 1 while viewing the History Screen will allow the user to select the events to be viewed as illustrated in the following:

```

          HISTORY
    1=VIEW ALL
    2=VIEW ALARMS
    3=VIEW OTHER EVENTS
  
```

View Events Screen

While displaying the View Events screen, press 1 to view all events, 2 to view only alarms or 3 to view other events. Use the up and down arrow keys to scroll through all of the displayed events.

3.5.8.2 Erase History

The Erase History option allows a user to erase all events from the history file. This will provide a clean slate in order to use the history file to track future events. Pressing 2 while viewing the History Screen will display the following screen:

```

          ERASE HISTORY
          PROCEED ?
    1=YES          2=NO
  
```

Erase History Screen

Pressing 1 while viewing the Erase History Screen will erase all events from the History file. During this process, the display will read as follows:

```

          ERASING HISTORY
          PLEASE WAIT
  
```

Erase History Wait Screen

After the History file has been erased, the display will return to the History Screen.

3.5.9 Walktest

Walktest allows an individual to test the fire alarm system without the necessity to reset the control panel after each device activation. Pressing 3 while viewing the Programming Screen #3 will cause the following Walktest options to be displayed:

```

PROGRAMMING
1=ANN-BUS
2=HISTORY
3=WALKTEST

```

Programming Screen #3

```

WALKTEST
1=SILENT
2=AUDIBLE
3=VIEW EVENTS

```

Walktest Screen

To perform a silent walktest which will not sound the NACs, press 1 while viewing the Walktest Screen. To perform an audible walktest, which will sound the NACs, press 2 while viewing the Walktest Screen. When either option is chosen, the panel will enter Walktest Mode and the following screen will be displayed:

```

UNIT IN WALKTEST

```

Walktest Active Screen

The user can now perform a one-person walktest by activating devices throughout the system. As each device is activated, the screen will display the information about the activated device as shown below. Note that the colon (:) in the time is replaced with an asterisk (*) to distinguish the walktest screen from an actual alarm screen.

```

ALARM ZONE 1
<ADJ> <NOUN>
Z01
10*00A 010805

```

After completion of the Walktest, press the *Esc* (Escape) key to exit Walktest Mode and return to the Walktest Screen. The results of the Walktest can now be viewed by pressing 3 while viewing the Walktest Screen. The following screen will be displayed:

```

WALKTEST EVENTS

```

Use the up and down arrow keys to view all of the walktest results which will be displayed as illustrated in the preceding screen. Note that the Walktest log is stored in RAM. If all power (AC and DC) is removed from the FACP, the Walktest log information will be lost. This information is also overwritten when subsequent walktests are performed.

3.5.10 Clear Program

Pressing *1* while viewing Programming Screen #4, will select the Clear Program option. The control panel will provide a warning to the user by prompting with the following display:

```

PROGRAMMING
1=CLEAR PROGRAM
2=PASSWORD CHANGE
  
```

Programming Screen #4

```

WARNING!
SYSTEM CHANGE
PROCEED?
1=YES          2=NO
  
```

Pressing *1* for *Yes* will cause the control panel to carry out the selected clear option. Pressing *2* for *No* will prevent programming from being cleared.

3.5.11 Password Change

The factory set passwords, which have been programmed into the control panel, can be changed by selecting the Password Change option. Pressing *2* while viewing Programming Screen #4 will cause the following screen to be displayed:

```

PASSWORD CHANGE
1=MASTER
2=MAINTENANCE
  
```

Password Change Screen

Press *1* to change the Master Programming Level password or *2* to change the Maintenance Level password. *Note that the passwords will not be displayed on annunciators.*

The following screen will appear when either change option is selected:

```

ENTER NEW FIVE DIGIT
PASSWORD
█
  
```

Enter Password Screen

A flashing cursor will appear in the center of the display. Enter a new five digit password (such as 10101 for the Master Level). After the fifth digit is entered, the following screen will be displayed:

```

VERIFY NEW
PASSWORD
█
  
```

Password Change Screen

The new five digit password must be re-entered to accept the change. The display will then return to the initial Password Change Screen.

3.6 Maintenance Programming Level

To access Maintenance Programming mode, press the *Enter* key. The LCD will display the following:

```
1=READ STATUS
2=PROGRAMMING
```

To enter the Maintenance Programming mode, press 2. The display will read as follows:

```
PROGRAMMING
ENTER PASSWORD
```

When the Maintenance level password (default *1111*) is entered, the following screen will appear:

```
PROGRAMMING
1=INPUT ZONES
2=HISTORY
3=WALKTEST
```



Note that in the preceding screens, an arrow appears to inform the programmer that additional options can be viewed by pressing the keypad *down* arrow key, as shown in the following screen.

```
PROGRAMMING
1=TIME-DATE
```



3.6.1 Input Zones - Enable/Disable

The Input Zones option allows the user to enable or disable desired zones. Pressing *1* for Input Zones, while viewing Maintenance Screen #1 will cause the following screens to be displayed:

```

PROGRAMMING
1=INPUT ZONES
2=HISTORY
3=WALKTEST

```

Maintenance Screen #1

```

POINT PROGRAM
1=ZONE 1
2=ZONE 2
3=ZONE 3

```

Zone Select Screen

Pressing the down arrow key will display additional Zones 4 - 6. Select the number corresponding to the desired zone. A screen will appear which will allow enabling or disabling of the selected zone, as illustrated in the following example:

```

INPUT ZONE 1
1=ENABLED YES
TYPE PULL STATION

```

Enable/Disable Select Screen

Pressing *1* repeatedly will cause the display to toggle between *Enabled Yes* and *Enabled No*.

3.6.2 History

Pressing *2* while viewing Maintenance Screen #1 will cause the following screen to be displayed:

```

HISTORY
1=VIEW EVENTS
2=ERASE HISTORY

```

History Screen

The History feature allows the operator to view control panel events which have been stored in a history file in memory and erase the contents of the history file

Pressing *1* while viewing the History screen will cause the following screen to be displayed:

```

      HISTORY
    1=VIEW ALL
    2=VIEW ALARMS
    3=VIEW OTHER EVENTS
  
```

To view all the events which have occurred in the control panel since the history file was last erased, press *1* while viewing the Events screen. To view only alarms which have occurred, press *2* while viewing the Events screen. To view events other than alarms, press *3*. The most recent event will be displayed on the screen. To view all of the selected events, press the up or down arrow keys to scroll through the list of events. If no events have occurred, the display will read *NO EVENTS IN HISTORY*.

Pressing *2* while viewing the History Screen will cause the following screen to be displayed:

```

      ERASE HISTORY
      PROCEED ?
    1=YES          2=NO
  
```

Erase History Screen

Pressing *1* while viewing the Erase History Screen will cause the message *ERASING HISTORY, PLEASE WAIT* to be displayed. The display will then return to the History Screen. Pressing *2* will cause the display to return to the History Screen without erasing the History file.

3.6.3 Walktest

To perform a walktest, press *3* while viewing Maintenance Screen #1. The following screen will be displayed:

```

    PROGRAMMING
    1=INPUT ZONES
    2=HISTORY
    3=WALKTEST
  
```

Maintenance Screen #1

```

      WALKTEST
    1=SILENT
    2=AUDIBLE
    3=VIEW EVENTS
  
```

Walktest Screen

The operator can press *1* to perform a silent walktest or *2* to perform an audible walktest. The display will read *UNIT IN WALKTEST*. To end the Walktest, press the Esc (Escape) key.

Pressing *3* after the walktest has been completed, will allow the operator to view the results of the walktest.

3.6.4 Time-Date

To program the time and date into the control panel, press *1* while viewing Maintenance Screen #2. The following display will appear:



Maintenance Screen #2



Time and Date Screen

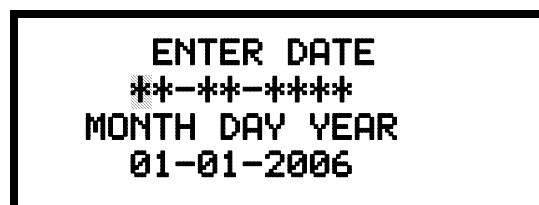
To change the time, press *1* to display the following screen:



Time Screen

A flashing cursor will appear on the left side of the display. Enter the four digit number corresponding to the time (0000 - 1259). When the fourth digit is entered, the cursor will move one position to the right. Press *1* for AM or *2* for PM to complete entering the time. The display will return to the Time and Date Screen displaying the new time.

To change the date, press *2* while viewing the Time and Date Screen. The following screen will be displayed:



Date Screen

A flashing cursor will appear on the left side of the display. Enter the two digit month, two digit day and four digit year. The cursor will move one position to the right after each entry. When the fourth digit of the year has been entered, the display will return to the Time and Date Screen which will show the new date.

To change between 12 hour and 24 hour format, press *3* for Clock Format while viewing the Time and Date screen. Each press of the *3* key will toggle the display between 12 HR and 24 HR format.

SECTION 4 Operating Instructions

Factory programmed Templates have been provided to facilitate the installation and configuration of the Fire Alarm Control Panel. The factory default programming for this panel is Template #7. Refer to "FACP Configuration Templates" on page 108 for a detailed description of the FACP operation for Template #7.

4.1 Panel Control Buttons

4.1.1 Acknowledge/Step

The first press of the *Acknowledge/Step* key silences the piezo sounder, changes flashing LEDs to steady and also changes the status field on the LCD display from capital letters to small letters (*TROUBL* to *troubl*). When the piezo is silenced, an *acknowledge* message is sent to the printer and the history file. *Acknowledge* also sends a *silence piezo* command to the optional annunciators connected to the FACP. The Acknowledge key will have no effect on the Notification Appliance Circuits.

When more than one event exists, the first press of the Acknowledge/Step key functions as described in the preceding paragraph. Subsequent pressing of the key *steps* through each active event.

4.1.2 Alarm Silenced

The *Alarm Silenced* key performs the same functions as Acknowledge/Step, except it will not step through each event when multiple events are present at the panel. In addition, if an alarm exists, it turns off all silenceable NACs (Notification Appliance Circuits) and causes the Alarm Silenced indicator to turn on. It also sends an 'alarm silenced' message to the printer, history file and optional annunciators. A subsequent new alarm will resound the system NACs. The Alarm Silenced indicator is turned off by pressing the Reset key, the Drill key or subsequent activation of the NACs.

Note:

1. If Silence Inhibit has been enabled, NACs cannot be silenced for one minute following initiation of an alarm.
2. When the system is configured for dual hazard operation, an alarm in one hazard area may reactivate notification appliance circuits programmed for that area only.

4.1.3 Drill/Hold 2 Sec

When the *Drill* key is held for a minimum of two seconds (time required to prevent accidental activations), the FACP turns on all NAC outputs and turns off the Alarm Silenced indicator if it was previously on. The *EVAC IN SYSTEM* message is shown on the LCD display. The same message is sent to the printer and history file. The *Alarm Silence* key can be used to turn off all silenceable NAC outputs following activation by the *Drill* key.

4.1.4 Reset

Pressing and releasing the *Reset* key turns off all NACs, temporarily turns off resettable power to 4-wire detectors, causes a *RESET IN SYSTEM* message to be displayed on the LCD and sends the same message to the printer and history file. It also performs a lamp test by turning on all LEDs, piezo sounder and LCD display segments after the *Reset* key is released. Any alarm or trouble that exists after a reset will resound the system.

Note that if Silence Inhibit has been enabled, the FACP cannot be reset for one minute following initiation of an alarm.

4.2 Indicators

The eight indicators, which are located on the front panel, operate as follows:

AC Power

This is a green indicator which illuminates if AC power is applied to the FACP. A loss of AC power will turn off this indicator.

Fire Alarm

This red indicator flashes when one or more alarms occur. It illuminates steady when the *Acknowledge/Step* or *Alarm Silence* key is pressed. The Fire Alarm indicator turns off when the *Reset* key is pressed. The indicator will remain off if all alarms have been cleared.

Supervisory

This is a yellow indicator that flashes when one or more supervisory conditions occur, such as a sprinkler valve tamper condition. It illuminates steady when the *Acknowledge/Step* or *Alarm Silence* key is pressed. It turns off when the *Reset* key is pressed and remains off if all supervisory alarms have been cleared.

Trouble

This is a yellow indicator that flashes when one or more trouble conditions occur. It stays on steady when the *Acknowledge/Step* or *Alarm Silence* key is pressed. The indicator turns off when all trouble conditions are cleared. This indicator will also illuminate if the microprocessor watchdog circuit is activated.

Alarm Silenced

This is a yellow indicator that illuminates after the *Alarm Silence* key is pressed while an alarm condition exists. It turns off when the *Drill* or *Reset* key is pressed.

Discharge

This is a red indicator that illuminates steadily when the water releasing circuit is activated.

4.3 Normal Operation

With no alarms or troubles in the system, the display message is *System All Normal* along with the current time and date as shown below. To set the time and date, refer to the appropriate section in this manual.



The FACP performs the following functions at regular intervals in Normal mode:

- ✓ Monitors AC input voltage and battery voltage
- ✓ Monitors and reports status option cards and control panel
- ✓ Refreshes LCD display and updates time
- ✓ Scans control panel keypad for key presses
- ✓ Tests memory
- ✓ Updates and reads all communications busses (EIA-485, etc.)
- ✓ i³ smoke detectors will be polled for maintenance and freeze conditions (temperature of 45°F or less) on initial entry into Normal mode. Thereafter, each device will be polled every hour for freeze and every four hours for maintenance conditions

Note: To ensure that the system is functioning properly, the FACP will perform a freeze check five minutes after the panel is reset, followed by a maintenance check. If there is no freeze or maintenance condition, the panel will continue to monitor for freeze conditions every hour and maintenance conditions every four hours.

4.4 Trouble Operation

With no alarms in the system, the detection of a trouble will cause the following:

- The piezo to pulse 1 second On and 1 second Off
- The system Trouble indicator to flash one second On and one second Off
- The output circuits programmed as Trouble Bell NAC to activate
- The trouble relay to activate
- *TROUBL* with device type, noun/adjective, address and trouble description will appear on the LCD display
- The same message, along with the time and date, is sent to the optional printer and the history buffer.

Note that specific troubles will initiate additional actions; for example, loss of AC power will turn off the AC Power indicator, etc.

Input Zone

For Input Zones, the following is a typical message that could appear on the LCD display for a device trouble:

```

TROUBL PULL STATION
<ADJ> <NOUN>
ZONE 1 OPEN FAULT
10:00A 030806
  
```

The information displayed in the above example provides the following information:

- First line in display:
 - ✓ The type of event; in this example *OPEN* indicating a circuit trouble
 - ✓ Device type identifier; in this example, *PULL STATION* indicates a manual device. Other device type identifiers which can be displayed include *2-WIRE SMOKE* for Smoke Detector, *2-WIRE HEAT* for Heat Detector, etc.
- Second line in display:
 - ✓ <ADJ>; refers to the user programmed adjective descriptor from library list resident in the control panel or custom entry via PC.
 - ✓ <NOUN>; refers to the user programmed noun descriptor from library list resident in the control panel or custom entry via PC.
- Third line in display indicates Zone and the fault condition. Other possible troubles include:
 - OPEN* - indicating an open circuit
 - DIRTY* - maintenance alert indicating that a detector is near but below the allowed alarm limit and is in need of maintenance before the performance is compromised
- Fourth line in display:
 - ✓ Time; the current time in this example is *10:00A* which represents 10:00 AM
 - ✓ Date; the current month, day and year in this example is *03* for March, *08* for the 8th day of the month and *06* for the year 2006

Pressing the *Acknowledge/Step* or *Alarm Silence* key will cause the pulsing piezo to silence and the system Trouble indicator to change from flashing to on steady. This block acknowledgment occurs regardless of the number of troubles, alarms and supervisory events active in the system. When the *Acknowledge/Step* key is pressed and at least one new alarm or trouble exists in the system, the 'acknowledge' message is sent to the printer and history file. If the trouble clears, either before or after the *Acknowledge/Step* key is pressed, the 'clear trouble' message is sent to the printer and history file.

If all troubles clear and there are no supervisory or fire conditions active in the system, the system returns to normal mode operation and the *System All Normal* message is shown on the LCD display and sent to the history and printer files. The auto-restore feature will restore cleared troubles even if the troubles were never acknowledged. Note that pressing the *Alarm Silence* key when only troubles exist in the system will have the same effect as pressing the *Acknowledge/Step* key except the Alarm Silenced indicator will light.

4.5 Alarm Operation

For a detailed description of the alarm operation for each preprogrammed Template, refer to "FACP Configuration Templates" on page 108 and "Circuit Mapping and Cross-Zoning" on page 103. Alarm operation is similar to trouble operation with the following differences:

- The piezo sounder produces a steady output as opposed to a pulsed output
- The Fire Alarm indicator flashes 1 second On and 1 second Off
- The LCD displays *Alarm* along with the device name, type, adjective/noun, associated zones and time/date
- Alarms latch and *are not allowed to clear automatically*
- Timers for Silence Inhibit, Autosilence and Trouble Reminder are started
- Soak and Waterflow Delay Timers are started (if enabled) for appropriate circuits
- Alarms activate the general alarm relay
- Silenced alarms are resounded
- Release Solenoid circuits are activated to produce a water release
- The trouble relay is not activated
- Store event in history buffer

A typical alarm display would be as illustrated below:

```

ALARM  PULL STATION
      <ADJ> <NOUN>
ZONE 1
10:00A 030806
  
```

Note that the device type, which in this example is *PULL STATION*, can be any other programmable alarm type.

The information displayed in the above example provides the following information:

- First line in display:
 - ✓ The type of event; in this example *ALARM* indicating an alarm condition
 - ✓ Device type identifier; in this example, *PULL STATION* indicates a manual pull box. Other device type identifiers which can be displayed include *2-WIRE SMOKE* for Smoke Detector, *2-WIRE HEAT* for Heat Detector, etc.
- Second line in display:
 - ✓ <ADJ>; refers to the user programmed adjective descriptor from library list resident in the control panel or custom entry via PC.
 - ✓ <NOUN>; refers to the user programmed noun descriptor from library list resident in the control panel or custom entry via PC.
- Third line in display: *Zone 1* indicates the zone programmed to this device which, in this example, is Input Zone 1.

- Fourth line in display:
 - ✓ Time; the current time in this example is *10:00A* which represents 10:00 AM
 - ✓ Date; the current month, day and year in this example is *03* for March, *08* for the 8th day of the month and *06* for the year 2006

4.6 Supervisory Operation

Supervisory operation is similar to alarm operation but with the following differences:

- The piezo sounder pulses ½ second On and ½ second Off
- The Supervisory indicator flashes ½ second On and ½ second Off
- The LCD displays the status label *Active Supervisory* along with the device name, type, adjective/noun, associated zones and time/date
- The output circuits programmed as Supervisory NAC are activated
- The supervisory relay is activated
- The alarm relay is not activated
- Silenced alarms are not resounded
- Timers are not started
- Store event in history buffer

A typical Supervisory event would be displayed as illustrated in the following:

```

FREEZE SUPERVISORY
  <ADJ> <NOUN>
ZONE 05 FROZEN SUPRV
10:00A 030806
  
```

In the preceding example:

- ☐ *FROZEN SUPRV* - indicates zone detector is below approximately 45°F

Note that, like alarms, supervisory signals latch (except when programmed for supervisory autoresettable). Supervisory alarms do not cause resound as do other alarm conditions. Open circuits in supervisory wiring are processed by the control panel the same way as other trouble conditions. Refer to "Alarm Operation" on page 88, for a description of the information displayed on the control panel LCD.

4.7 Disable/Enable Operation

Input zones which are disabled do not cause an alarm or any zone activation. Disabled NACs are held in the off state. Disabled zones/NACs are treated as if they were in trouble, with the exception being the LCD status label that will be displayed is *DISABL*.

Note that disabled Releasing Circuits are treated as supervisory events.

4.8 Waterflow Circuits Operation

If an alarm exists from a zone that is a waterflow non-silenceable type, the Alarm Silence key will not function.

4.9 2nd-Shot Water Switch

Following an initial waterflow release, an input circuit with the nonlatching Type Code of 2nd-Shot Water Switch, when activated, will cause another waterflow release to occur immediately. If a manual switch is connected to the circuit, an operator has the option to perform any number of additional waterflow releases following an initial release.

4.10 Detector Functions

Maintenance Alert

i³ smoke detectors will be polled for maintenance and freeze conditions (temperature less than 45°F) on initial entry into Normal mode. Thereafter, each device will be polled every hour for freeze and every four hours for maintenance conditions. All alarm and system trouble conditions are annunciated on the control panel's LCD.

Note: To ensure that the system is functioning properly, the FACP will perform a freeze check five minutes after the panel is reset, followed by a maintenance check. If there is no freeze or maintenance condition, the panel will continue to monitor for freeze conditions every hour and maintenance conditions every four hours.

Important! In order to avoid false alarms, input zones must be disabled prior to any service work being done. After service is completed, the input zones must be re-enabled.

4.11 Time Functions: Real-Time Clock

The FACP includes a crystal-based clock that provides time of day, date and day of week. Time is displayed as 12 or 24 hour time with month/day/year and is stored in RAM. Daylight savings time change-over is programmable and automatic. If both AC and battery are lost, the time must be reprogrammed.

4.12 Coded NAC Operation

The NAC circuits resident on the control panel main circuit board can be programmed for coded operation. The available options which can be programmed for coded operation are as follows:

- Steady - Steady output with no pulsing
- March Time - Pulses at 120 ppm (pulses per minute)
- California Code - 10 seconds On, 5 seconds Off
- Temporal Code - Pulses at ½ second On, ½ second Off, ½ second On, ½ second Off, ½ second On, 1½ second Off
- Cross-Zone:
 - ✓ 1st zone of a cross-zoned group in alarm causes programmed NAC output to pulse 1 second on and 1 second off
 - ✓ 2nd zone of a cross-zoned group in alarm causes programmed NAC output to pulse ½ second on and ½ second off - *Note: if more than three zones are cross-zoned, the programmed NAC output will continue to pulse ½ second on and ½ second off for each subsequent zone in alarm, until the final zone in the cross-zoned group goes into alarm*
 - ✓ all zones of a cross-zoned group in alarm causes the output programmed as a Releasing Circuit to perform a water release and the programmed NAC output to turn on steady
- Synchronized output for System Sensor, Wheelock, Gentex, Faraday or Amseco - Refer to "Synchronized NAC Operation" on page 62 for additional information.

4.13 Release Stages

Outputs programmed as Release Stage NACs indicate the two stages of a release operation:

- ✓ the activation of an output programmed as a Releasing Circuit will cause the programmed indicating NAC output to turn on steady
- ✓ upon completion of the release, the programmed indicating NAC output will pulse at a 20 pulse-per-minute rate

4.14 Special System Timers

4.14.1 Silence Inhibit Timer

This option, if selected, prevents the *Alarm Silence* key from functioning for 60 seconds following an alarm. A new alarm during the initial 60 second period will not cause the timer to restart with a new 60 seconds. *Silence Inhibit operation requires the approval of the local AHJ.*

4.14.2 Autosilence Timer

If Autosilence is selected, the notification appliances, programmed as silenceable, will automatically be silenced after a programmable duration of from 5 to 30 minutes. Pressing the *Drill* key will restart the timer. *Autosilence operation requires the approval of the local AHJ.*

4.14.3 Trouble Reminder

If selected, this feature causes a reminding 'beep' every 15 seconds during an alarm (after the *Alarm Silence* key is pressed) and every two minutes during a trouble condition (after the *Acknowledge/Step* or *Alarm Silence* key is pressed). The 'beeps' from the onboard piezo sounder will occur until the alarm or fault is cleared.

Note that if Trouble Reminder feature is not selected and the trouble is not cleared within 24 hours, the piezo will resound, indicating that the trouble condition still exists.

4.14.4 Soak Timers

Two Soak Timers allow the user to program a time between 10 and 30 minutes for each water releasing circuit to remain active. Soak Timer 1 is used for Releasing Solenoid Circuit 1 and Soak Timer 2 is used for Releasing Solenoid Circuit 2. Following an alarm condition in which the releasing circuit is activated, the water release will stop when the corresponding Soak Timer reaches zero.

4.14.5 Waterflow Delay Timer

If selected, this option will delay the activation of a waterflow type alarm for a programmable time duration from 1 to 90 seconds. This delay is in addition to any time delay inherent in the waterflow device. *This feature requires the approval of the local AHJ.*

4.15 Walktest

Walktest is a feature which allows one person to test the fire alarm system. An audible walktest will momentarily sound the Notification Appliance Circuits in the building and store the walktest information in a file at the panel. A silent walktest will not sound the NACs but will store the walktest information in a file which can be viewed at the panel. Disabled NAC devices will not activate during walktest. In addition, i³ smoke detectors will enter their own test mode causing their LEDs to flash twice every five seconds (refer to i³ specification document).

Alarm/Shorted Condition

When in audible Walktest, the panel responds to each new alarm and activates its programmed control outputs for four seconds, if those outputs have been programmed for silenceable activation. It also stores each alarm in the walktest history file which can be sent to an optional printer. The stored display will be the same as if the device actually activated except the colon (:) in the time stamp is replaced with an asterisk (*).

Open Condition

Addressable devices as well as all main circuit board NACs are monitored for fault conditions during Walktest mode. When a new trouble condition occurs, the FACP will activate all NACs programmed for Walktest, then shut them off after eight seconds.

While in Walktest, the trouble relay is activated and the system Trouble indicator flashes (as in all of the Program and status change operations). The alarm relay is not activated.

4.16 Read Status

Read Status functions do not require a password. The control panel will continue to provide fire protection while in Read Status mode. This mode can be entered while the control panel is in alarm or trouble. If a new alarm occurs during these functions, the Read Status is exited to prevent confusion.

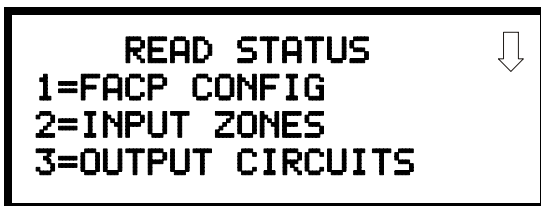
Read Status Entry

When the operator presses the control panel *Enter* key, the LCD will display the following:

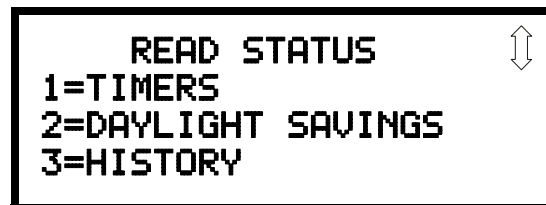


Pressing *1*, while this screen is being displayed, will cause the control panel to enter the Read Status mode which allows the user to view and print the programmed features and status of the control panel.

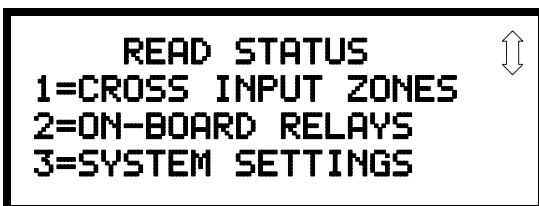
The following screens will be displayed:



Read Status Screen #1



Read Status Screen #3



Read Status Screen #2



Read Status Screen #4

4.16.1 FACP Configuration

Pressing 1 while viewing Read Status Screen #1 will display the type of configuration programmed into the FACP (refer to "FACP CONFIG (Application Templates)" on page 50). As an example, if Template 7 was programmed as the FACP configuration, the following screen will be displayed:

```

READ FACP CONFIG
  TEMPLATE 7
  SINGLE HAZARD
X-ZONE  MAN REL SW
  
```

4.16.2 Input Zones

Pressing 2 while viewing Read Status Screen #1 will cause the following screens to be displayed:

```

READ INPUT ZONES  ↓
1=ZONE 1
2=ZONE 2
3=ZONE 3
  
```

Pressing the down arrow key will allow the selection of Zones 4-6.

The operator selects the zone which is to be viewed by pressing the number corresponding to the desired zone in each screen. For example, if 1 is pressed in the first screen, the display will change to a screen similar to the following:

```

READ INPUT ZONE 1  ↓
Normal PULL STATION

PRESS  ↓ TO VIEW
  
```

Pressing the down arrow key, while viewing the screen shown above, will allow the operator to view additional programming information about the selected device, such as:

- Enable/Disable Status
- Device Type
- Output Circuit MAP
- Adjective/Noun descriptor

4.16.3 Output Circuits

Pressing 3 while viewing Read Status Screen #1 will display the following screens:

```

READ STATUS
1=FACP CONFIG
2=INPUT ZONES
3=OUTPUT CIRCUITS
    
```

Read Status Screen #1

```

READ OUTPUTS
1=OUTPUT 1
2=OUTPUT 2
3=OUTPUT 3
    
```

Read Outputs Screen #1

```

READ OUTPUTS
1=OUTPUT 4
    
```

Read Outputs Screen #2

The operator can press 1 to view the programmed options for Output 1, 2 to view the programmed options for Output 2, 3 to view the programmed options for Output 3 or 4 to view the programmed options for Output 4.

The resulting screens will display the following information:

- Enable/Disable Status
- Circuit Type
- Silenceable/Nonsilenceable
- Auto Silence Enable/Disable and time delay (in minutes)
- Silence Inhibit Enabled/Disabled
- Coding Selection (Temporal, Steady, etc.)

4.16.4 Cross Input Zones

```

READ STATUS
1=CROSS INPUT ZONES
2=ON-BOARD RELAYS
3=SYSTEM SETTINGS
    
```

Read Status Screen #2

Pressing 1 while viewing Read Status Screen #2 will display the following screens:

```

CROSS INPUT ZONES
1=RELEASE 1
2=RELEASE 2
    
```

Cross Input Zone Screen

Pressing 1 for Release 1 or 2 for Release 2 will display the cross-zoning, if any, for the selected Releasing Circuit as illustrated in the following screen:

```

CROSS ZONE REL 1
X 1 4
NONE
NONE
    
```

Cross Input Zone Screen

The Cross Zone Release screen displays the zones that have been cross-zoned. In this example, Zone 1 is cross-zoned with Zone 4.

4.16.5 On-Board Relays

Pressing 2 while viewing Read Status Screen #2 will display the following screen:

ON-BOARD RELAYS	
RELAY 1	ALARM
RELAY 2	TROUBLE
RELAY 3	SUPERVSRY

This screen allows the operator to view the programmed option for each relay.

4.16.6 System Settings

Pressing 3 while viewing Read Status Screen #2 will display the following screens:

SYSTEM SETTINGS		↓
FUTURE USE		
TROUBLE REMIND		NO
CHARGER DISABLE		NO

SYSTEM SETTINGS		↑
FACTORY BANNER		

The operator can view the system settings options that have been programmed into the FACP.

4.16.7 Timers

Pressing 1 while Read Status Screen #3 will display the following screens:

```

READ STATUS
1=TIMERS
2=DAYLIGHT SAVINGS
3=HISTORY
    
```

Read Status Screen #3

```

          TIMERS
SOAK  1      10 MIN
SOAK  2      10 MIN
WATERFLOW DELAY  0 S
    
```

```

          TIMERS
AC LOSS DELAY    2 HR
    
```

These screens allow the operator to view the various timer settings.

4.16.8 Daylight Savings

Pressing 2 while Read Status Screen #3 will cause the following screens to be displayed:

```

    DAYLIGHT SAVINGS
ENABLED      YES
START MONTH  MAR
START WEEK   WK 2
    
```

```

    DAYLIGHT SAVINGS
END MONTH    NOV
END WEEK     WK 1
    
```

These screens allow the operator to view settings that have been programmed for Daylight Savings Time.

4.16.9 History

Pressing 3 while viewing Read Status Screen #3 will display the following screens:

```
HISTORY
1=VIEW ALL
2=VIEW ALARMS
3=VIEW OTHER EVENTS
```

The operator can view all events which have been stored in the history file, only alarms or other events, such as troubles or supervisories, by pressing the corresponding number key.

4.16.10 PRINT

```
READ STATUS
1=PRINT
2=ANN-BUS
```

Read Status Screen #4

To print control panel data, press 1 while viewing Read Status Screen #4. This allows printing to the printer connected to the ANN-S/PG module. The following screens will be displayed:

```
PRINT
1=HISTORY
2=WALKTEST LOG
3=EXIT PRINTING
```

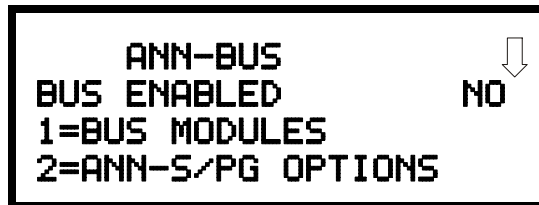
Pressing 1 allows the user to print the History file which will detail all of the system activities since the file was last cleared from memory.

Pressing 2 allows the user to print the Walktest log which will detail all of the system activations during walktest since the log was last cleared. Refer to "Walktest" on page 79 for additional information on the display.

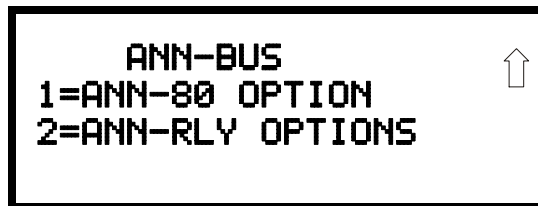
Pressing 3 will exit the Print operation.

4.16.11 ANN-BUS

Pressing 2 while viewing Read Status Screen #4 will display the settings for the ANN-BUS options as shown in the following screens:



ANN-BUS Screen #1



ANN-BUS Screen #2

ANN-BUS Screen #1 indicates whether the ANN-BUS is enabled (Yes/No).

Pressing 1 while viewing ANN-BUS Screen #1 will display BUS Module addresses 1-8 and the devices, if any, located at those addresses.

Pressing 2 while viewing ANN-BUS Screen #1 will display the programmed options for the ANN-S/PG Module devices connected to the ANN-BUS.

Pressing 1 while viewing ANN-BUS Screen #2 will display the programmed options for the ANN-80 LCD annunciators connected to the ANN-BUS.

Pressing 2 while viewing ANN-BUS Screen #2 will display the programmed options for the ANN-RLY devices connected to the ANN-BUS.

SECTION 5 Power Supply Calculations

5.1 Overview

This section contains instructions and tables for calculating power supply currents in alarm and standby conditions. This is a four-step process, consisting of the following:

1. Calculating the total amount of AC branch circuit current required to operate the system
2. Calculating the power supply load current for non-fire and fire alarm conditions and calculating the secondary (battery) load
3. Calculating the size of batteries required to support the system if an AC power loss occurs
4. Selecting the proper batteries for your system

5.2 Calculating the AC Branch Circuit

The control panel requires connection to a separate, dedicated AC branch circuit, which must be labeled **FIRE ALARM**. This branch circuit must connect to the line side of the main power feed of the protected premises. No other non-fire alarm equipment may be powered from the fire alarm branch circuit. The branch circuit wire must run continuously, without any disconnect devices, from the power source to the control panel. Overcurrent protection for this circuit must comply with Article 760 of the National Electrical Codes as well as local codes. Use 14 AWG (2.00 mm²) wire with 600 volt insulation for this branch circuit.

Use Table 5-1 , to determine the total amount of current, in AC amperes (A), that must be supplied to the system.

TABLE 5-1:120 VAC Branch Circuit Requirements

Device Type	Number of Devices		Current Draw (AC amps)	Total Current per Device
MRP-2001 or MRP-2001E	1	X	3.66	=
			2.085	
	[]	X		=
	[]	X	[]	=
Sum Column for AC Branch Current Required				=

5.3 Calculating the System Current Draw

5.3.1 Overview

The control panel must be able to power all internal and external devices continuously during the non-fire alarm condition. To calculate the non-fire alarm load on the system power supply when primary power is applied, use Calculation Column 1 in Table 5-3 on page 101. The control panel must support a larger load current during a fire alarm condition. To calculate the fire alarm load on the power supply, use Calculation Column 2 in Table 5-3 on page 101. The secondary power source (batteries) must be able to power the system during a primary power loss. To calculate the non-fire alarm load on the secondary power source, use Calculation Column 3 in Table 5-3 on page 101.

When calculating current draw and the battery size, note the following:

- 'Primary' refers to the main power source for the control panel
- 'Secondary' refers to the control panel's backup batteries
- All currents are given in amperes (A). Table 5-2 shows how to convert milliamperes and microamperes to full amperes.

TABLE 5-2: Converting to Full Amperes

To convert...	Multiply	Example
Milliamperes (mA) to amperes (A)	$\text{mA} \times 0.001$	$3 \text{ mA} \times 0.001 = 0.003\text{A}$
Microamperes (μA) to amperes (A)	$\mu\text{A} \times 0.000001$	$300 \mu\text{A} \times 0.000001 = 0.0003 \text{ A}$

5.3.2 How to Use Table 5-3 on page 101 to Calculate System Current Draw

Use Table 5-3 on page 101 to calculate current draws as follows:

1. Enter the quantity of devices in all three columns
2. Enter the current draw where required. Refer to the Device Compatibility Document for compatible devices and their current draw
3. Calculate the current draws for each in all columns
4. Sum the total current for each column
5. Copy the totals from Column 2 and Column 3 to Table 5-4 on page 102

Following are the types of current that can be entered into Table 5-3 on page 101:

- ✓ **Calculation Column 1** - The primary supply current load that the control panel must support during a non-fire alarm condition, with AC power applied.
- ✓ **Calculation Column 2** - The primary supply current load that the control panel must support during a fire alarm condition, with AC power applied.
- ✓ **Calculation Column 3** - The standby current drawn from the batteries in a non-fire alarm condition during a loss of AC power.

Table 5-3 contains three columns for calculating current draws. For each column, calculate the current and enter the total (in amperes) in the bottom row. When finished, copy the totals from Calculation Column 2 and Calculation Column 3 to Table 5-4 on page 102.

TABLE 5-3: System Current Draw Calculations

Device Type	Calculation Column 1 Primary, Non-Fire Alarm Current (amps)			Calculation Column 2 Primary, Fire Alarm Current (amps)			Calculation Column 3 Secondary, Non-Fire Alarm Current (amps)		
	Qty	X[current draw]=	Total	Qty	X [current draw] =	Total	Qty	X[current draw]=	Total
Main Circuit Board	1	X[0.122]=	0.122	1	X[0.185] ¹ =	0.185	1	X[0.122]=	0.122
CAC-5X	[]	X[0.001]=		[]	X[0.001]=		[]	X[0.001]=	
4XTMF	[]	X[0.005]=		[]	X[0.011] ¹ =		[]	X[0.005]=	
ANN-80	[]	X[0.037]=		[]	X[0.040]=		[]	X[0.037]=	
2-wire Detector Heads	[]	X[] ² =		[]	X[]=		[]	X[]=	
4-wire Detector Heads	[]	X[] ² =		[]	X[]=		[]	X[]=	
Power Supervision Relays ³	[]	X[0.025]=		[]	X[0.025]=		[]	X[0.025]=	
NAC #1 ⁴				[]	X[]=				
NAC #2				[]	X[]=				
NAC #3									
NAC #4									
Current Draw from TB9 (nonalarm ⁵)		[] =			[] =			[] =	
Sum each column⁶ for totals		Primary Non-Alarm =			Primary Alarm =			Secondary Non-Alarm =	

Table Footnote

1. If using the Reverse Polarity Alarm output, add 0.005 amps; if using the Reverse Polarity Trouble output, add another 0.005 amps.
2. Refer to the Device Compatibility Document for standby current.
3. Must use compatible listed Power Supervision Relay.
4. Current limitation of Terminal TB5 circuits is 3.0 amps per NAC
5. The total standby current must include both the resettable (TB9 Terminals 3 & 4) and nonresettable/resettable (TB9 Terminals 1 & 2) power. Caution must be taken to ensure that current drawn from these outputs during alarm does not exceed maximum ratings specified. Current limitations of TB9, Terminals 1 & 2 = 0.500 amps, filtered, 24 VDC +/-5%, 120 Hz ripple @ 10 mV_{RMS}, nonresettable power and TB9, Terminals 3 & 4 = 0.500 amps, filtered, 24 VDC +/-5%, 120 Hz ripple @ 10mV_{RMS}, resettable power.
6. Total current draw listed above cannot exceed 7.0 amps

5.4 Calculating the Battery Size

Use Table 5-4 to calculate the total Standby and Alarm load in ampere hours (AH). This total load determines the battery size (in AH), required to support the control panel under the loss of AC power. Complete Table 5-4 as follows:

1. Enter the totals from Table 5-3 on page 101, Calculation Columns 2 and 3 where shown
2. Enter the NFPA Standby and Alarm times (refer to 'NFPA Requirements' below)
3. Calculate the ampere hours for Standby and Alarm, then sum the Standby and Alarm ampere hours
4. Multiply the sum by the derating factor of 1.2 to calculate the proper battery size (in AH)
5. Write the ampere hour requirements on the Protected Premises label located inside the cabinet door

TABLE 5-4: Total Secondary Power Requirements at 24 VDC

Secondary Standby Load (total from Table 5-3 Calculation Column 3) []	Required Standby Time (24 hours) X[]	= AH
Primary Alarm Load (total from Table 5-3 Calculation Column 2) []	Required Alarm Time (for 5 min., enter 0.084, for 10 min., enter 0.168) X[]	= AH
Sum of Standby and Alarm Ampere Hours		= AH
Multiply by the Derating Factor		X 1.2
Battery Size, Total Ampere Hours Required		= AH

5.4.1 NFPA Battery Requirements

NFPA 72 Local, Central and Proprietary Fire Alarm Systems require 24 hours of standby power followed by 5 minutes in alarm

5.4.2 Selecting and Locating Batteries

Select batteries that meet or exceed the total ampere hours calculated in Table 5-4 . The control panel can charge batteries in the 7 AH to 26 AH range. The control panel cabinet is capable of housing batteries up to 18 AH. Batteries larger than 18 AH require the BB-26, BB-55 or other UL listed external battery cabinet.

APPENDIX A **Circuit Mapping and Cross-Zoning**

A.1 Input-to-Output Circuit Mapping and Cross-Zone Operation

The flexible cross-zoning and input-to-output (I/O) mapping capability of this fire panel provides a powerful toolset to accommodate many site-specific configurations. To simplify initial setup, preconfigured application templates that employ cross-zoning and I/O mapping are included from the factory. Refer to "FACP Configuration Templates" on page 108 for a description of each supplied template.

The following sections provide some examples of setting up your own cross-zoned or I/O mapped system.



The Installer is responsible for completely testing the proper operation of the fire panel as set up by programming.

Notes:

1. Any general system trouble, such as a battery fault, will activate any output circuit programmed as *TROUBLE NAC* in the *OUTPUT CIRCUITS* menu. Circuit mapping does not apply.
2. Any input zone programmed for supervisory operation or as a *DISABLE RELEASE* switch in the *INPUT CIRCUITS* menus will activate any output circuit programmed as *SUPV BELL NAC* in the *OUTPUT CIRCUITS* menus. Circuit mapping does not apply.
3. The programming menus will prevent you from mapping any incompatible input zone and output circuit types together, such as mapping a supervisory input zone to a releasing output circuit.
4. Timers and/or delays are not represented in these examples.

A.1.1 Mapping Input Zones to Output Circuits for Direct Activation

Using the INPUT ZONES menus, you can assign any input zone to directly activate (without cross-zoning) any of the four output circuits provided they are assigned matching operational types (see the OUTPUT CIRCUIT MAP menu within the INPUT ZONES menus).

Example 1: A waterflow input zone assigned to directly activate an alarm output circuit by setting the OUTPUT CIRCUIT MAP assignment to *YES*.

- Output Circuit 1 is programmed as alarm NAC using the *OUTPUT CIRCUITS* menus.
- Output Circuit 2 is programmed as Release Circuit 1 using the *OUTPUT CIRCUITS* menus.
- Output Circuit 3 is programmed as Release Circuit 2 using the *OUTPUT CIRCUITS* menus.
- Output Circuit 4 is programmed as supervisory NAC using the *OUTPUT CIRCUITS* menus.
- Input Zone 1 is programmed as a waterflow zone using the *INPUT ZONES* menus.

Waterflow Input Zone 1 will directly activate Output Circuit 1 (Alarm NAC) but not Output Circuits 2, 3 or 4.

ZONE 1 TYPE	
1=N/A	
2=WATERFLOW	
3=WATERFLOW NS	

OUTPUT MAP ZONE 1	
1=ALARM NAC	YES
2=RELEASE 1	NO
3=RELEASE 2	NO

OUTPUT MAP ZONE 1	
1=SUPV BELL NAC	N/A

Example 2: A single hazard application where a smoke detector input zone will directly activate both an alarm NAC circuit and a releasing output circuit.

- Output Circuit 1 is programmed as alarm NAC using the *OUTPUT CIRCUITS* menus.
- Output Circuit 2 is programmed as Release Circuit 1 using the *OUTPUT CIRCUITS* menus.
- Output Circuit 3 is programmed as waterflow NAC using the *OUTPUT CIRCUITS* menus.
- Output Circuit 4 is programmed as supervisory NAC using the *OUTPUT CIRCUITS* menus.
- Input Zone 1 is programmed as a smoke detector zone using the *INPUT ZONES* menus.

Smoke detector Input Zone 1 will directly activate Output Circuits 1 (Alarm NAC) and 2 (Release 1) but not output circuits 3 or 4.

ZONE 1 TYPE	
1=COMBO	
2=COMBO W/AR. SUPERV	
3=2-WIRE SMOKE	

OUTPUT MAP ZONE 1	
1=ALARM NAC	YES
2=RELEASE 1	YES
3=WATERFLOW NAC	NO

OUTPUT MAP ZONE 1	
1=SUPV BELL NAC	N/A

A.1.2 Mapping Input Zones to Release Circuits for Cross Zone Activation

Using the *OUTPUT CIRCUITS* menus, this fire panel will allow you to assign a release circuit *type* of operation to any two of the four output circuits. Up to two releasing circuits (or hazards), called **RELEASE 1** and **RELEASE 2**, may be created. Input zones may be assigned in various ways to activate either one or both of the release circuits. The fire panel treats **RELEASE 1** and **RELEASE 2** functions independently from each other, although they may share input circuits for activation.

Cross-zoning is set up in the *CROSS INPUT ZONES* menus, where you can create up to three groups of input zones for each release circuit. When cross zone groups have been set up, the *OUTPUT CIRCUIT MAP* associated with the input zones will automatically show *YES* for release output circuits. This extremely flexible cross-zone with grouping capability is used in the following examples.

Example 3: A single hazard, cross-zoned application using two smoke detector input zones and one releasing output circuit. Input Zones 1 and 2 are cross-zoned to activate output circuit 2, which is programmed as a **RELEASE 1**.

- Output Circuit 1 is programmed as alarm NAC using the *OUTPUT CIRCUITS* menus.
- Output Circuit 2 is programmed as Release Circuit 1 using the *OUTPUT CIRCUITS* menus.
- Output Circuit 3 is programmed as alarm NAC using the *OUTPUT CIRCUITS* menus
- Output Circuit 4 is programmed as supervisory NAC using the *OUTPUT CIRCUITS* menus.
- Either of smoke detector Input Zones 1 or 2 will directly activate Output Circuit 1 (Alarm NAC).
- Smoke detector Input Zone 2 will also directly activate Output Circuit 3 (Alarm NAC) but not Output Circuits 2 or 4.
- Smoke detector Input Zones 1 and 2 are cross-zoned (both must be in alarm) to activate Output Circuit 2 (Release 1) but not Output Circuit 4.

ZONE 1 TYPE	
1=COMBO	
2=COMBO W/AR. SUPERV	
3=2-WIRE SMOKE	

ZONE 2 TYPE	
1=COMBO	
2=COMBO W/AR. SUPERV	
3=2-WIRE SMOKE	

OUTPUT MAP ZONE 1	
1=ALARM NAC	YES
2=RELEASE 1	YES
3=ALARM NAC	NO

OUTPUT MAP ZONE 2	
1=ALARM NAC	YES
2=RELEASE 1	YES
3=ALARM NAC	YES

OUTPUT MAP ZONE 1	
1=SUPV BELL NAC	N/A

OUTPUT MAP ZONE 2	
1=SUPV BELL NAC	N/A

REL 1 CROSS GROUP 1	
1=ZONE 1	YES
2=ZONE 2	YES
3=ZONE 3	NO

Example 4: A dual hazard, cross-zoned application using four input zones and two releasing output circuits. Input Zones 1 and 2 are cross-zoned to activate Output Circuit 2, which is programmed as RELEASE 1. Input Zones 3 and 4 are cross-zoned to activate Output Circuit 3, which is programmed as a RELEASE 2.

- Output Circuit 1 is programmed as alarm NAC using the OUTPUT CIRCUITS menus.
- Output Circuit 2 is programmed as Release Circuit 1 using the OUTPUT CIRCUITS menus.
- Output Circuit 3 is programmed as Release Circuit 2 using the OUTPUT CIRCUITS menus
- Output Circuit 4 is programmed as supervisory NAC using the OUTPUT CIRCUITS menus.
- Any of smoke detector Input Zones 1 through 4 will directly activate Output Circuit 1 (Alarm NAC) but not Output Circuits 2, 3 or 4.
- Smoke detector Input Zones 1 and 2 are cross-zoned (both must be in alarm) to activate Output Circuit 2 (Release 1) but not Output Circuits 3 or 4.
- Smoke detector Input Zones 3 and 4 are cross-zoned (both must be in alarm) to activate Output Circuit 3 (Release 2) but not Output Circuits 2 or 4.

ZONE 1 TYPE	
1=COMBO	
2=COMBO W/AR. SUPERV	
3=2-WIRE SMOKE	

ZONE 3 TYPE	
1=COMBO	
2=COMBO W/AR. SUPERV	
3=2-WIRE SMOKE	

ZONE 2 TYPE	
1=COMBO	
2=COMBO W/AR. SUPERV	
3=2-WIRE SMOKE	

ZONE 4 TYPE	
1=COMBO	
2=COMBO W/AR. SUPERV	
3=2-WIRE SMOKE	

OUTPUT MAP ZONE 1	
1=ALARM NAC	YES
2=RELEASE 1	YES
3=RELEASE 2	NO

OUTPUT MAP ZONE 2	
1=ALARM NAC	YES
2=RELEASE 1	YES
3=RELEASE 2	NO

OUTPUT MAP ZONE 1	
1=SUPV BELL NAC	N/A

OUTPUT MAP ZONE 2	
1=SUPV BELL NAC	N/A

OUTPUT MAP ZONE 3	
1=ALARM NAC	YES
2=RELEASE 1	NO
3=RELEASE 2	YES

OUTPUT MAP ZONE 4	
1=ALARM NAC	YES
2=RELEASE 1	NO
3=RELEASE 2	YES

OUTPUT MAP ZONE 3	
1=SUPV BELL NAC	N/A

OUTPUT MAP ZONE 4	
1=SUPV BELL NAC	N/A

REL 1 CROSS GROUP 1	
1=ZONE 1	YES
2=ZONE 2	YES
3=ZONE 3	NO

REL 2 CROSS GROUP 1	
1=ZONE 1	NO
2=ZONE 2	NO
3=ZONE 3	YES

REL 2 CROSS GROUP 1	
1=ZONE 4	YES
2=ZONE 5	NO
3=ZONE 6	NO

A.1.3 Complex Examples of Cross Zoning and I/O Mapping for Release Circuits

Following are some complex examples of cross-zoning for more demanding applications that are possible with this fire panel. Input zone entries in a single cross-zone group are effectively AND'ed together while the cross-zone groups are effectively OR'ed together. For the purpose of describing this, the following *language* is used:

R1	=	RELEASE 1
R2	=	RELEASE 2
Z1	=	INPUT ZONE 1
Z2	=	INPUT ZONE 2
Z3	=	INPUT ZONE 3
Z4	=	INPUT ZONE 4
Z5	=	INPUT ZONE 5
Z6	=	INPUT ZONE 6
OR	=	any input zone may cause a release
AND	=	all input zones must be active for a release

Example 5: Release Circuit 1 activates if either Input Zone 1 or 2 are active in addition to Input Zone 3 being active.

- $R1 = (Z1 \text{ AND } Z3) \text{ OR } (Z2 \text{ AND } Z3)$
- Set Zones 1 and 3 to *YES* in Cross Zoning Group 1 for RELEASE 1 in the CROSS INPUT ZONES menus.
- Set Zones 2 and 3 to *YES* in Cross Zoning Group 2 for RELEASE 1 in the CROSS INPUT ZONES menus.
- Set all other zones to *NO* in Cross Zoning Groups 1, 2 and 3 for RELEASE 1 in the CROSS INPUT ZONES menus.

Example 6: Release Circuit 1 activates if Input Zones 1 and 2 and 3 are all active.

- $R1 = Z1 \text{ AND } Z2 \text{ AND } Z3$
- Set Zones 1, 2 and 3 to *YES* in Cross Zoning Group 1 for RELEASE 1 in the CROSS INPUT ZONES menus.
- Set all other zones to *NO* in Cross Zoning Groups 1, 2 and 3 for RELEASE 1 in the CROSS INPUT ZONES menus.

Example 7: Release Circuit 1 activates if Input Zones 1 and 2 and 3 are all active. Release Circuit 2 activates if Input Zones 2 and 3 and 4 are all active.

- $R1 = Z1 \text{ AND } Z2 \text{ AND } Z3$
- $R2 = Z2 \text{ AND } Z3 \text{ AND } Z4$
- Set Zones 1, 2 and 3 to *YES* in Cross Zoning Group 1 for RELEASE 1 in the CROSS INPUT ZONES menus.
- Set Zones 2, 3 and 4 to *YES* in Cross Zoning Group 1 for RELEASE 2 in the CROSS INPUT ZONES menus.
- Set all other zones to *NO* in Cross Zoning Groups 1, 2 and 3 for RELEASE 1 in the CROSS INPUT ZONES menus.
- Set all other zones to *NO* in Cross Zoning Groups 1, 2 and 3 for RELEASE 2 in the CROSS INPUT ZONES menus.

Example 8: Release Circuit 1 activates if Input Zone 1 activates followed in time by Input Zone 2 activating.

- *This kind of sequential reaction is not possible at this time.*

APPENDIX B FACP Configuration Templates

The MRP-2001/E has been provided with preprogrammed templates which allow the user to quickly configure the FACP [refer to "FACP CONFIG (Application Templates)" on page 50]. The user also has the option to reprogram selected portions of the template for customized applications. The following pages of this appendix describe the programming for each of the templates.

Note: MRP-2001/E Pre-Action/Deluge Control Panel can be configured using preprogrammed Templates 7 through 13 only. Template 7 is the factory default template for the FACP.

(Templates 1 through 6 are not available for this panel.)

Important! Each Template has been programmed with specific Input Zone Types and Output Circuit Types. If the FACP is configured with one of the preprogrammed Templates, the user must ensure that the devices connected to each Input Zone and Output Circuit are compatible with the programmed types. (The user can reprogram the circuit types if desired).

B.1 Template 7: Single Hazard - 3 Zone

TEMPLATE 7: SINGLE HAZARD - 3 ZONE						
OUTPUT CIRCUITS	INPUT ZONES					
	1	2	3	4	5	6
	2-WIRE SMOKE	FIRE	WATERFLOW	MANUAL RELEASE	PULL STATION	SUPV.
#1 ALARM NAC	X	X		X	X	
#2 WATERFLOW NAC			X			
#3 RELEASE SOLENOID 1	X	X		X	X	
#4 SUPV. BELL NAC						X

Table Legend:

X = direct correlation between Input Zone and Output Circuit (input zone activation will turn on corresponding output circuit).

Input Zone Types:

- Zone 1 = 2-wire smoke
- Zone 2 = Fire
- Zone 3 = Waterflow - no waterflow delay since Waterflow Delay Timer is set to 0
- Zone 4 = Manual Release
- Zone 5 = Pull Station
- Zone 6 = Supervisory

Output Circuit Types:

- Output 1 = Alarm NAC
- Output 2 = Waterflow NAC - no waterflow delay since Waterflow Delay Timer is set to 0
- Output 3 = Release Solenoid 1 (unsupervised for shorts)
- Output 4 = Supervisory Bell NAC

Timers

- Soak Timer 1 - set for 10 minutes
- Soak Timer 2 - set for 10 minutes
- Waterflow Delay Timer - set for 0 seconds
- AC Loss Delay Timer - set for 2 hours

Operation

- Activation of Input Zone 1 (2-Wire Smoke) **or** Zone 2 (Fire) **or** Zone 4 (Manual Release) **or** Zone 5 (Pull Station) will operate the Alarm NAC Output #1 and Release Solenoid 1 Output #3. Release Solenoid 1 will turn off water release following time-out of the 10 minute Soak Timer 1
- Activation of Input Zone 3 (Waterflow) will operate the Waterflow NAC Output #2. There is no FACP initiated delay in activation since the Waterflow Delay Timer is set to 0 seconds
- Activation of Input Zone 6 (Supervisory) will operate the Supervisory Bell NAC Output #4

FACP Relay Operation

The following description of FACP relay operations are in addition to normal system operation.

- Alarm Relay - activation of Input Zone 1 (2-Wire Smoke) or Zone 2 (Fire) or Zone 3 (Waterflow - with Waterflow Delay time) or Zone 4 (Manual Release) or Zone 5 (Pull Station) will operate Alarm Relay
- Trouble Relay - any system trouble will activate the Trouble Relay
- Supervisory - activation of Zone 6 (Supervisory) will operate the Supervisory Relay

B.2 Template 8: Single Hazard - Cross-Zone With Manual Release

TEMPLATE 8: CROSS-ZONE WITH MANUAL RELEASE SWITCH						
OUTPUT CIRCUITS	INPUT ZONES					
	1	2	3	4	5	6
	2-WIRE SMOKE	FIRE	WATERFLOW	MANUAL RELEASE	PULL STATION	SUPV.
#1 ALARM NAC	X	X		X	X	
#2 WATERFLOW NAC			X			
#3 RELEASE SOLENOID 1	C1	C1		X	X	
#4 SUPV. BELL NAC						X

Table Legend:

X = direct correlation between Input Zone and Output Circuit (input zone activation will turn on corresponding output circuit).

C_x = cross-zone where *x* is the number of the Release Solenoid. All inputs with the same Release Solenoid number must be active at the same time to turn on the corresponding solenoid output circuit

Input Zone Types:

- Zone 1 = 2-wire smoke
- Zone 2 = Fire
- Zone 3 = Waterflow - activation delayed for 60 seconds (Waterflow Delay set to 60 secs.)
- Zone 4 = Manual Release
- Zone 5 = Pull Station
- Zone 6 = Supervisory

Output Circuit Types:

- Output 1 = Alarm NAC
- Output 2 = Waterflow NAC - activation delayed for 60 seconds (Waterflow Delay set to 60 sec)
- Output 3 = Release Solenoid 1 (unsupervised for shorts)
- Output 4 = Supervisory Bell NAC

Timers

- Soak Timer 1 - set for 10 minutes
- Soak Timer 2 - set for 10 minutes
- Waterflow Delay Timer - set for 60 seconds
- AC Loss Delay Timer - set for 2 hours

Operation

- Activation of both Input Zone 1 (2-Wire Smoke) **and** Zone 2 (Fire) at the same time, **or** Zone 4 (Manual Release) **or** Zone 5 (Pull Station) will operate the Release Solenoid 1 Output #3. Release Solenoid will turn off water release following time-out of the 10 minute Soak Timer 1. Activation of any one of these zones will operate Alarm NAC Output #1
- Activation of Input Zone 3 (Waterflow) will operate the Waterflow NAC Output #2. There is a 60 second FACP initiated delay in activation since Waterflow Delay Timer is set to 60 seconds
- Activation of Input Zone 6 (Supervisory) will operate the Supervisory Bell NAC Output #4

FACP Relay Operation

The following description of FACP relay operations are in addition to normal system operation.

- Alarm Relay - activation of Input Zone 1 (2-Wire Smoke) or Zone 2 (Fire) or Zone 3 (Waterflow - with Waterflow Delay time) or Zone 4 (Manual Release) or Zone 5 (Pull Station) will operate Alarm Relay
- Trouble Relay - any system trouble will activate the Trouble Relay
- Supervisory - activation of Zone 6 (Supervisory) will operate the Supervisory Relay

B.3 Template 9: Dual Hazard - Combined Release

TEMPLATE 9: DUAL HAZARD - COMBINED RELEASE						
OUTPUT CIRCUITS	INPUT ZONES					
	1	2	3	4	5	6
	2-WIRE SMOKE	FIRE	WATERFLOW	MANUAL RELEASE	PULL STATION	SUPV.
#1 ALARM NAC	X	X	X	X	X	
#2 SUPV BELL NAC						X
#3 RELEASE SOLENOID 1	X	X		X	X	
#4 RELEASE SOLENOID 2	X	X		X	X	

Table Legend:

X = direct correlation between Input Zone and Output Circuit (input zone activation will turn on corresponding output circuit).

Input Zone Types:

- Zone 1 = 2-wire smoke
- Zone 2 = Fire
- Zone 3 = Waterflow - activation delayed for 10 seconds (Waterflow Delay set to 10 secs.)
- Zone 4 = Manual Release
- Zone 5 = Pull Station
- Zone 6 = Supervisory

Output Circuit Types:

- Output 1 = Alarm NAC
- Output 2 = Supervisory Bell NAC
- Output 3 = Release Solenoid 1 (unsupervised for shorts)
- Output 4 = Release Solenoid 2 (unsupervised for shorts)

Timers

- Soak Timer 1 - set for 10 minutes
- Soak Timer 2 - set for 10 minutes
- Waterflow Delay Timer - set for 10 seconds
- AC Loss Delay Timer - set for 2 hours

Operation

- Activation of Input Zone 1 (2-Wire Smoke) **or** Zone 2 (Fire) **or** Zone 4 (Manual Release) **or** Zone 5 (Pull Station) will operate the Alarm NAC Output #1, Release Solenoid 1 Output #3 and Release Solenoid 2 Output #4. Release Solenoid 1 will turn off water release following time-out of the 10 minute Soak Timer 1 and Release Solenoid 2 will turn off water release following time-out of the 10 minute Soak Timer 2
- Activation of Input Zone 3 (Waterflow) will operate the Alarm NAC Output #1. There is a 10 second FACP initiated delay in activation since Waterflow Delay Timer is set to 10 seconds
- Activation of Input Zone 6 (Supervisory) will operate the Supervisory Bell NAC Output #2

FACP Relay Operation

The following description of FACP relay operations are in addition to normal system operation.

- Alarm Relay - activation of Input Zone 1 (2-Wire Smoke) or Zone 2 (Fire) or Zone 3 (Waterflow - with Waterflow Delay time) or Zone 4 (Manual Release) or Zone 5 (Pull Station) will operate Alarm Relay
- Trouble Relay - any system trouble will activate the Trouble Relay
- Supervisory - activation of Zone 6 (Supervisory) will operate the Supervisory Relay

B.4 Template 10: Dual Hazard - Split Release

TEMPLATE 10: DUAL HAZARD - SPLIT RELEASE						
OUTPUT CIRCUITS	INPUT ZONES					
	1	2	3	4	5	6
	2-WIRE SMOKE	FIRE	WATERFLOW	SUPV.	MANUAL RELEASE	PULL STATION
#1 ALARM NAC	X	X	X		X	X
#2 SUPV BELL NAC				X		
#3 RELEASE SOLENOID 1	X				X	X
#4 RELEASE SOLENOID 2		X			X	X

Table Legend:

X = direct correlation between Input Zone and Output Circuit (input zone activation will turn on corresponding output circuit).

Input Zone Types:

- Zone 1 = 2-wire smoke
- Zone 2 = Fire
- Zone 3 = Waterflow - activation delayed for 10 seconds (Waterflow Delay Timer 10 set to secs.)
- Zone 4 = Supervisory
- Zone 5 = Manual Release
- Zone 6 = Pull Station

Output Circuit Types:

- Output 1 = Alarm NAC
- Output 2 = Supervisory Bell NAC
- Output 3 = Release Solenoid 1 (unsupervised for shorts)
- Output 4 = Release Solenoid 2 (unsupervised for shorts)

Timers

- Soak Timer 1 - set for 10 minutes
- Soak Timer 2 - set for 10 minutes
- Waterflow Delay Timer - set for 10 seconds
- AC Loss Delay Timer - set for 2 hours

Operation

- Activation of Input Zone 1 (2-Wire Smoke) will operate Release Solenoid 1 Output #3 and Alarm NAC Output #1. Activation of Input Zone 2 (Fire) will operate Release Solenoid 2 Output #4 and Alarm NAC Output #1. Activation of Input 5 (Manual Release) **or** Input 6 (Manual Pull Station) will operate Solenoid 1 Output #3 **and** Solenoid 2 (Output #4) **and** Alarm NAC Output #1. Release Solenoid 1 will turn off water release following time-out of the 10 minute Soak Timer 1 and Release Solenoid 2 will turn off water release following time-out of the 10 minute Soak Timer 2
- Activation of Input Zone 3 (Waterflow) will operate the Alarm NAC Output #1. There is a 10 second FACP initiated delay in activation since Waterflow Delay Timer is set to 10 seconds
- Activation of Input Zone 4 (Supervisory) will operate the Supervisory Bell NAC Output #2

FACP Relay Operation

The following description of FACP relay operations are in addition to normal system operation.

- Alarm Relay - activation of Input Zone 1 (2-Wire Smoke) or Zone 2 (Fire) or Zone 3 (Waterflow - with Waterflow Delay time) or Zone 5 (Manual Release) or Zone 6 (Pull Station) will operate Alarm Relay
- Trouble Relay - any system trouble will activate the Trouble Relay
- Supervisory - activation of Zone 4 (Supervisory) will operate the Supervisory Relay

B.5 Template 11: Single Hazard - 3 Zones and Low Pressure

TEMPLATE 11: SINGLE HAZARD - 3 ZONES AND LOW PRESSURE						
OUTPUT CIRCUITS	INPUT ZONES					
	1	2	3	4	5	6
	2-WIRE SMOKE	FIRE	WATERFLOW	MANUAL RELEASE	PULL STATION	LOW PRESS.
#1 ALARM NAC	X	X		X	X	
#2 WATERFLOW NAC			X			
#3 SUPV. BELL NAC						X
#4 RELEASE SOLENOID 1	X	X		X	X	

Table Legend:

X = direct correlation between Input Zone and Output Circuit (input zone activation will turn on corresponding output circuit).

Input Zone Types:

- Zone 1 = 2-wire smoke
- Zone 2 = Fire
- Zone 3 = Waterflow - activation delayed for 10 seconds (Waterflow Delay set to 10 secs.)
- Zone 4 = Manual Release
- Zone 5 = Pull Station
- Zone 6 = Low Pressure

Output Circuit Types:

- Output 1 = Alarm NAC
- Output 2 = Waterflow NAC - activation delayed for 10 secs. (Waterflow Delay set to 10 secs.)
- Output 3 = Supervisory Bell NAC
- Output 4 = Release Solenoid 1 (unsupervised for shorts)

Timers

- Soak Timer 1 - set for 10 minutes
- Soak Timer 2 - set for 10 minutes
- Waterflow Delay Timer - set for 10 seconds
- AC Loss Delay Timer - set for 2 hours

Operation

- Activation of Input Zone 1 (2-Wire Smoke) **or** Zone 2 (Fire) **or** Zone 4 (Manual Release) **or** Zone 5 (Pull Station) will operate the Alarm NAC Output #1 and Release Solenoid 1 Output #4. Release Solenoid 1 will turn off water release following time-out of the 10 minute Soak Timer 1
- Activation of Input Zone 3 (Waterflow) will operate the Waterflow NAC Output #2. There is a 10 second FACP initiated delay in activation since Waterflow Delay Timer is set to 10 seconds
- Activation of Input Zone 6 (Low Pressure) will operate the Supervisory Bell NAC Output #3

FACP Relay Operation

The following description of FACP relay operations are in addition to normal system operation.

- Alarm Relay - activation of Input Zone 1 (2-Wire Smoke) or Zone 2 (Fire) or Zone 3 (Waterflow - with Waterflow Delay time) or Zone 4 (Manual Release) or Zone 5 (Pull Station) will operate Alarm Relay
- Trouble Relay - any system trouble will activate the Trouble Relay
- Supervisory - activation of Zone 6 (Supervisory) will operate the Supervisory Relay

B.6 Template 12: Single Hazard - 2 Zones Cross-Zoned With All Active

TEMPLATE 12: SINGLE HAZARD - 2 ZONES CROSS-ZONES WITH ALL ACTIVE						
OUTPUT CIRCUITS	INPUT ZONES					
	1	2	3	4	5	6
	2-WIRE SMOKE	FIRE	WATERFLOW	MANUAL RELEASE	PULL STATION	LOW PRESS.
#1 ALARM NAC	X	X		X	X	
#2 WATERFLOW NAC			X			
#3 SUPV. BELL NAC						X
#4 RELEASE SOLENOID 1	C1	C1		X	X	

Table Legend:

X = direct correlation between Input Zone and Output Circuit (input zone activation will turn on corresponding output circuit).

C_x = cross-zone where *x* is the number of the Release Solenoid. All inputs with the same Release Solenoid number must be active at the same time to turn on the corresponding solenoid output circuit

Input Zone Types:

- Zone 1 = 2-wire smoke
- Zone 2 = Fire
- Zone 3 = Waterflow - activation delayed for 10 seconds (Waterflow Delay set to 10 secs.)
- Zone 4 = Manual Release
- Zone 5 = Pull Station
- Zone 6 = Low Pressure

Output Circuit Types:

- Output 1 = Alarm NAC
- Output 2 = Waterflow NAC - activation delayed for 10 seconds (Waterflow Delay set to 10 secs.)
- Output 3 = Supervisory Bell NAC
- Output 4 = Release Solenoid 1 (unsupervised for shorts)

Timers

- Soak Timer 1 - set for 10 minutes
- Soak Timer 2 - set for 10 minutes
- Waterflow Delay Timer - set for 10 seconds
- AC Loss Delay Timer - set for 2 hours

Operation

- Activation of both Input Zone 1 (2-Wire Smoke) **and** Zone 2 (Fire) at the same time, **or** Zone 4 (Manual Release) **or** Zone 5 (Pull Station) will operate the Release Solenoid 1 Output #4. Release Solenoid will turn off water release following time-out of the 10 minute Soak Timer 1. Activation of any one of these zones will operate Alarm NAC Output #1
- Activation of Input Zone 3 (Waterflow) will operate the Waterflow NAC Output #2. There is a 10 second FACP initiated delay in activation since Waterflow Delay Timer is set to 10 seconds
- Activation of Input Zone 6 (Low Pressure) will operate the Supervisory Bell NAC Output #3

FACP Relay Operation

The following description of FACP relay operations are in addition to normal system operation.

- Alarm Relay - activation of Input Zone 1 (2-Wire Smoke) or Zone 2 (Fire) or Zone 3 (Waterflow - with Waterflow Delay time) or Zone 4 (Manual Release) or Zone 5 (Pull Station) will operate Alarm Relay
- Trouble Relay - any system trouble will activate the Trouble Relay
- Supervisory - activation of Zone 6 (Supervisory) will operate the Supervisory Relay

B.7 Template 13: Single Hazard - Dual Zone

TEMPLATE 13: SINGLE HAZARD - DUAL ZONE						
OUTPUT CIRCUITS	INPUT ZONES					
	1	2	3	4	5	6
	2-WIRE SMOKE	FIRE	LOW PRESS.	WATERFLOW	PULL STATION	MANUAL RELEASE
#1 ALARM NAC	X	X		X	X	X
#2 WATERFLOW NAC				X		
#3 RELEASE SOLENOID 1	X	X			X	X
#4 WATERFLOW NAC				X		

Table Legend:

X = direct correlation between Input Zone and Output Circuit (input zone activation will turn on corresponding output circuit).

Input Zone Types:

- Zone 1 = 2-wire smoke
- Zone 2 = Fire
- Zone 3 = Low Pressure
- Zone 4 = Waterflow - activation delayed for 10 seconds (Waterflow Delay set to 10 secs.)
- Zone 5 = Pull Station
- Zone 6 = Manual Release

Output Circuit Types:

- Output 1 = Alarm NAC
- Output 2 = Waterflow NAC - activation delayed for 10 seconds (Waterflow Delay set to 10 secs.)
- Output 3 = Release Solenoid 1 (unsupervised for shorts)
- Output 4 = Waterflow NAC - activation delayed for 10 seconds (Waterflow Delay set to 10 secs.)

Timers

- Soak Timer 1 - set for 10 minutes
- Soak Timer 2 - set for 10 minutes
- Waterflow Delay Timer - set for 10 seconds
- AC Loss Delay Timer - set for 2 hours

Operation

- Activation of Input Zone 1 (2-Wire Smoke) **or** Zone 2 (Fire) **or** Zone 5 (Pull Station) **or** Zone 6 (Manual Release) will operate the Alarm NAC Output #1 and Release Solenoid 1 Output #3. Release Solenoid will turn off water release following time-out of the 10 minute Soak Timer 1
- Activation of Input Zone 4 (Waterflow) will operate the Alarm NAC Output #1, Waterflow NAC Output #2 and Waterflow NAC Output #4. There is a 10 second FACP initiated delay in activation of these outputs since the Waterflow Delay Timer is set to 10 seconds
- Activation of Input Zone 3 (Low Pressure) will not operate any Output Circuits (see Relays)

FACP Relay Operation

The following description of FACP relay operations are in addition to normal system operation.

- Alarm Relay - activation of Input Zone 1 (2-Wire Smoke) or Zone 2 (Fire) or Zone 3 (Waterflow - with Waterflow Delay time) or Zone 4 (Manual Release) or Zone 5 (Pull Station) will operate Alarm Relay
- Trouble Relay - any system trouble will activate the Trouble Relay
- Supervisory - activation of Zone 3 (Low Pressure) will operate the Supervisory Relay

APPENDIX C NFPA Standard-Specific Requirements

This panel has been designed for use in commercial, industrial and institutional applications and meets the requirements for service under the National Fire Protection Association (NFPA) Standards outlined in this Appendix. The minimum system components required for compliance with the appropriate NFPA standard are listed below:

MRP-2001/E Control Panel

Contains the main control board, cabinet (backbox and door), main power supply transformer and power supply.

Batteries

Refer to "Power Supply Calculations" on page 99, for Standby Power Requirements.

Initiating Devices

Connected to one of the control panel's Initiating Device Circuits.

Notification Appliances

Connected to one of the control panel's Output Circuits.

Releasing Devices

Connected to one of the control panel's Output Circuits.

The following additional equipment is needed for compliance with the NFPA 72 standards listed below:

NFPA 72 Central Station Service (Protected Premises Unit) or Remote Station Service

411UD may be installed as illustrated in Figure C.1, "FACP Connection to 411UD," on page 117

OR

4XTMF Transmitter Module for connection to the RS82 Remote Station Receiver. See Figure C.3 on page 120, for installation instructions for this unit

NFPA 72 Auxiliary Fire Alarm System

4XTMF Transmitter Module for connection to a compatible listed Local Energy Municipal Box. This unit must be installed as illustrated in the section titled "4XTMF Municipal Box Transmitter Option Module" on page 28 and as outlined in Figure C.2, "Municipal Box Connected to 4XTMF Transmitter Module," on page 119.

NFPA 72 Proprietary Fire Alarm System

FACP Alarm, Trouble and Supervisory contacts connected to Transmitter(s). See Figure C.4, "Proprietary Protective Signaling System," on page 121, for installation instructions for this unit.

The relay contacts of this control panel may be used to trip any dialer that is UL-listed for Central Station/Remote Station services. The illustrations in this appendix provide examples of possible system configurations.

The following figure illustrates an example of Central Station/Remote Station Reporting using a 411UD. The relay contacts from the MRP-2001/E may be used to trip any dialer UL-listed for Central Station/Remote Station Reporting Services.

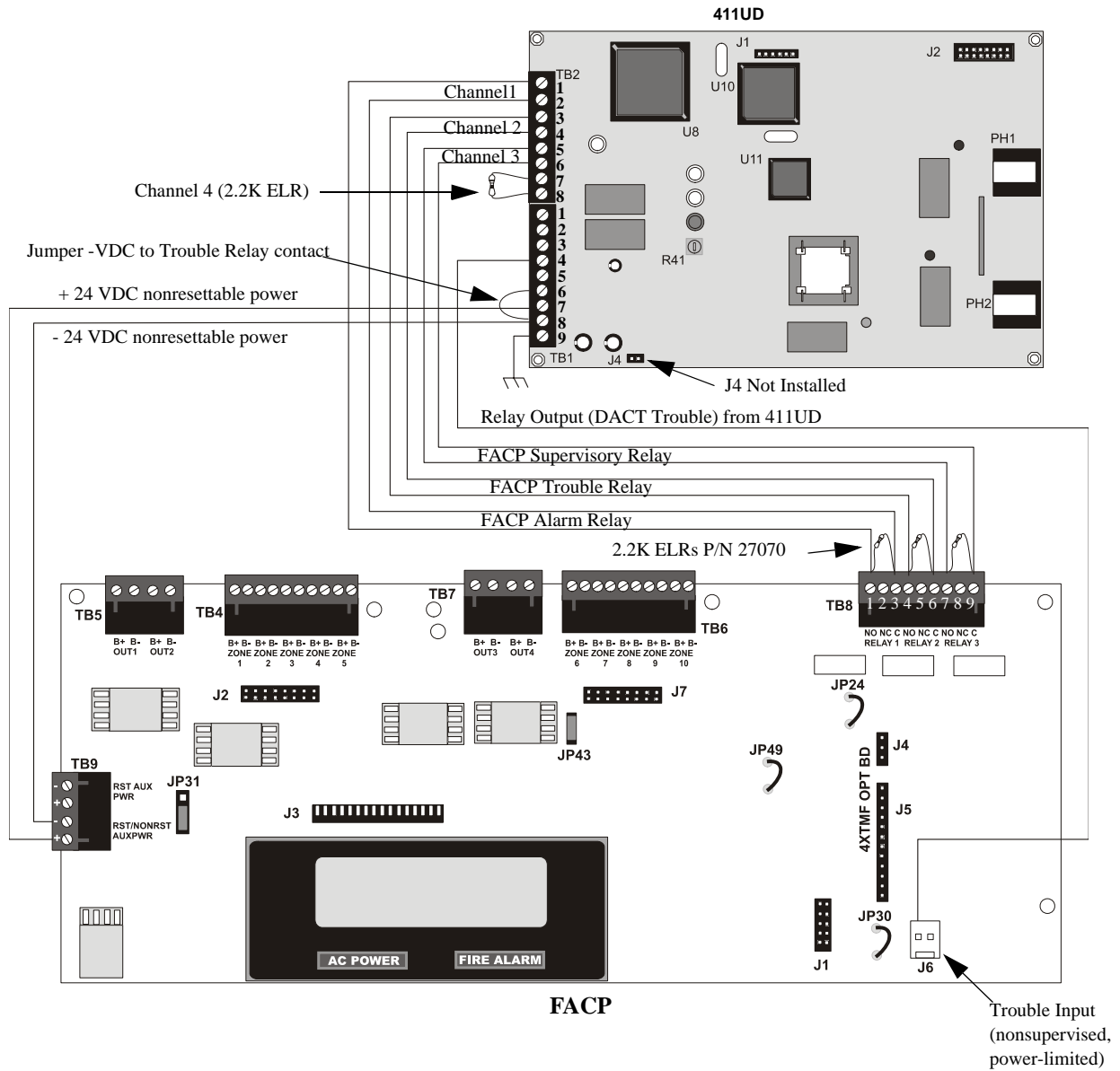


Figure C.1 FACP Connection to 411UD

	411UD	FACP
Alarm	TB2-1	TB8-1
	TB2-2	TB8-3
Trouble	TB2-3	TB8-4
	TB2-4	TB8-6
Supervisory	TB2-5	TB8-7
	TB2-6	TB8-9

Table C.1 411-UD Connections to FACP

Notes:

1. Reference the 411UD Manual for additional information
2. All connections between the control panel and the 411UD must be in conduit, less than 20 ft. (610 cm) in length in the same room.
3. Any zone of the 411UD can be wired to function as alarm, trouble or supervisory; the 411UD must be programmed accordingly. In this example, Channel/Zone 1 is wired to the control panel's alarm relay, Channel 2/Zone 2 is wired to the control panel's trouble relay and Channel 3/Zone 3 is wired to the control panel's supervisory relay.
4. Nonresettable 24 VDC power is supplied to the 411UD via TB9 terminals configured for nonresettable power on the FACP. Jumper J4 on the 411UD must be removed for 24 VDC power.
5. End-of-Line resistors must terminate all 411UD circuits, including unused circuits.
6. Program the 411UD for slave operation.
7. The MRP-2001/E must be programmed for AC Loss Reporting Delay This prevents the immediate transmission of a trouble on the loss of AC power.
8. A (-)VDC from the 411UD Trouble Contacts will activate the Trouble Input J6 on the FACP.

C.1 NFPA 72 Auxiliary Fire Alarm System

All connections are power-limited and supervised. This application is not suitable for separate transmission of sprinkler supervisory or trouble conditions.

Notes:

1. 3 ohms maximum loop resistance allowed for wiring from control panel to Municipal Box.
2. Cut JP30 on the MRP-2001/E main circuit board to supervise placement of 4XTMF module and circuit.
3. Cut JP24 on the MRP-2001/E main circuit board to enable FACP Supervisory relay.
4. Refer to "4XTMF Municipal Box Transmitter Option Module" on page 28 for detailed information.

Figure C.2 Municipal Box Connected to 4XTMF Transmitter Module

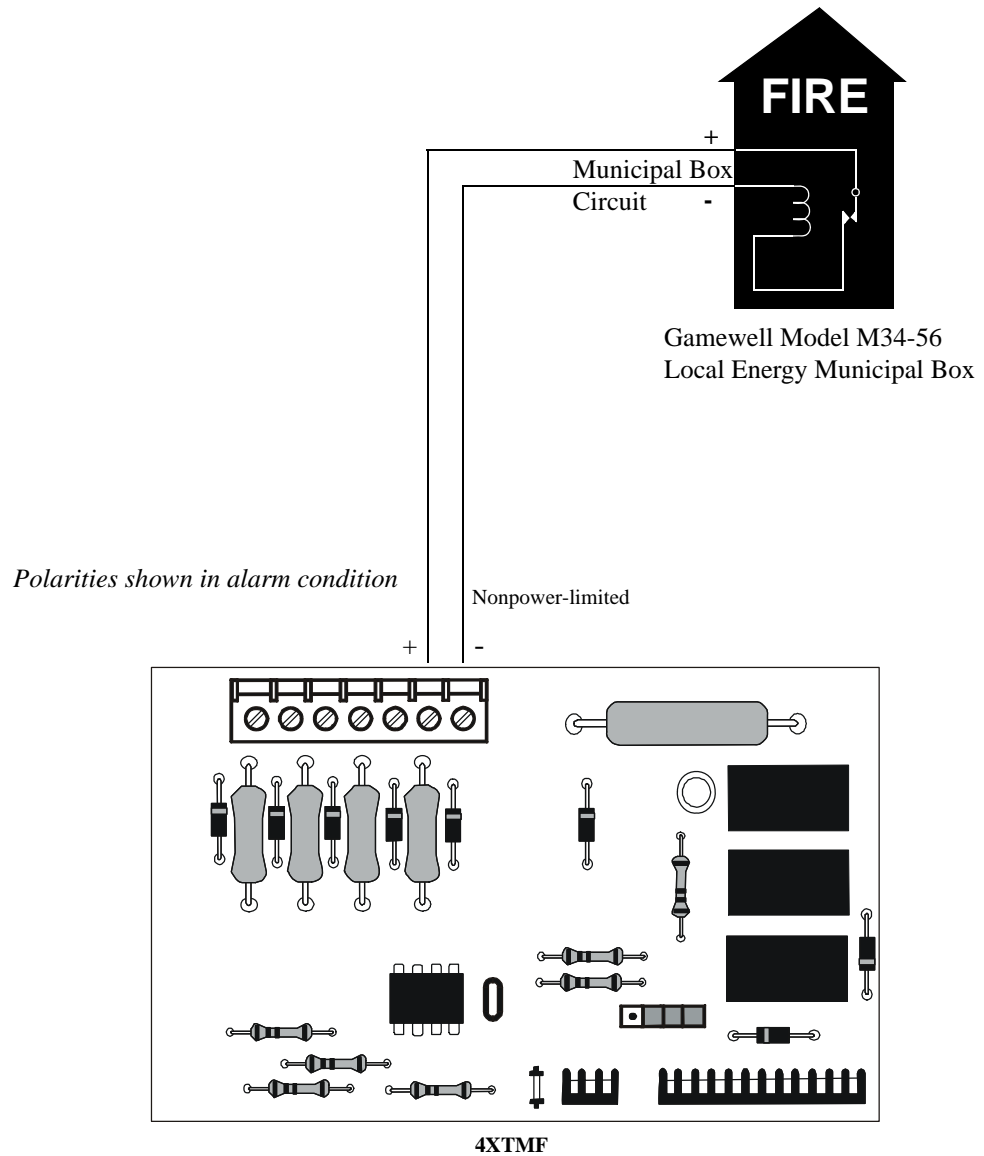


Figure A.2 Municipal Box Connected to 4XTMF Transmitter Module

NFPA 72 Remote Station Protective Signaling System

Notes:

1. Cut Jumper JP30 on the MRP-2001/E main circuit board to supervise placement of the 4XTMF module.
2. Refer to "4XTMF Transmitter Module Installation" on page 29 for detailed information.

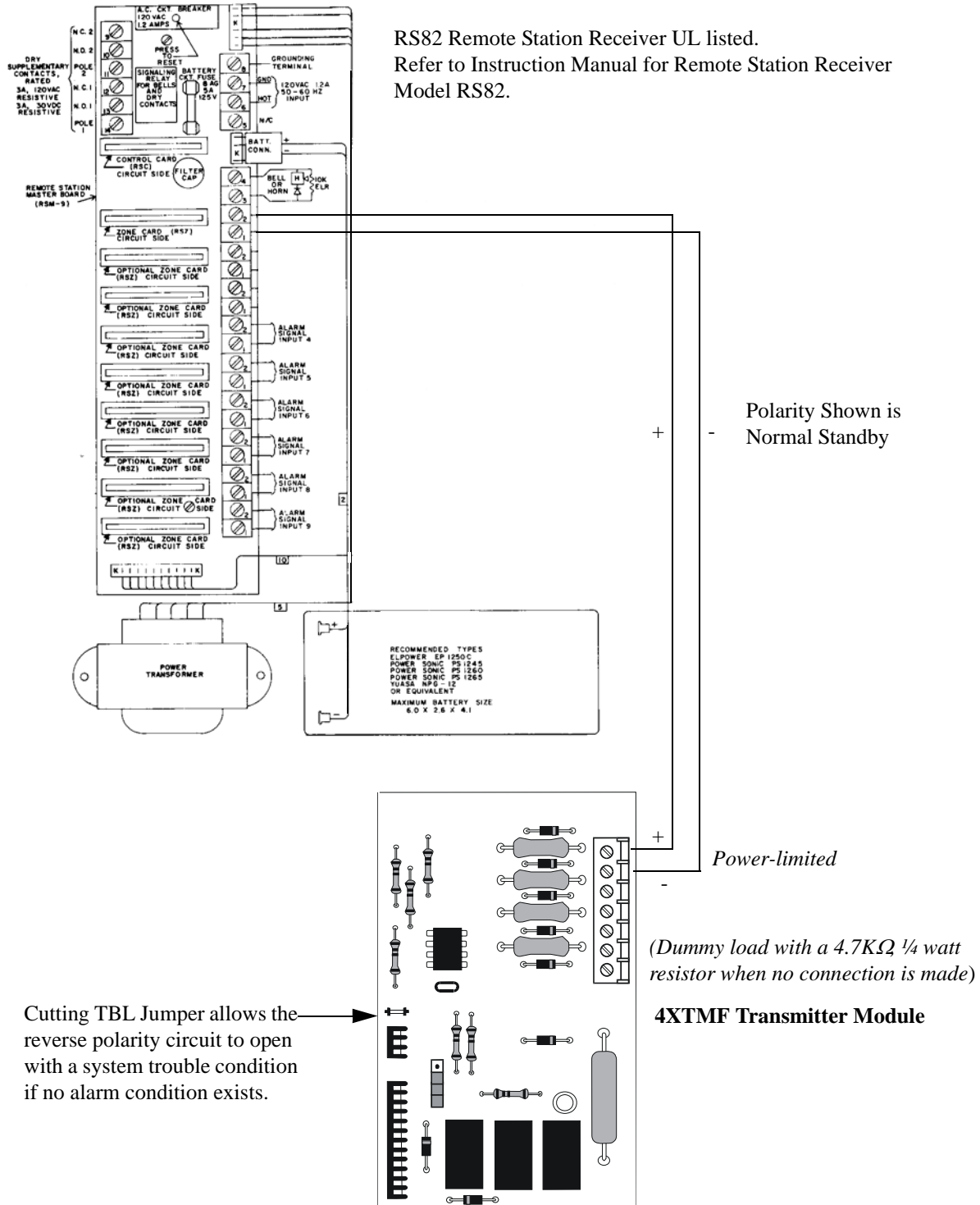


Figure C.3 Remote Station Connection Using 4XTMF Module

NFPA 72 Proprietary Protective Signaling Systems

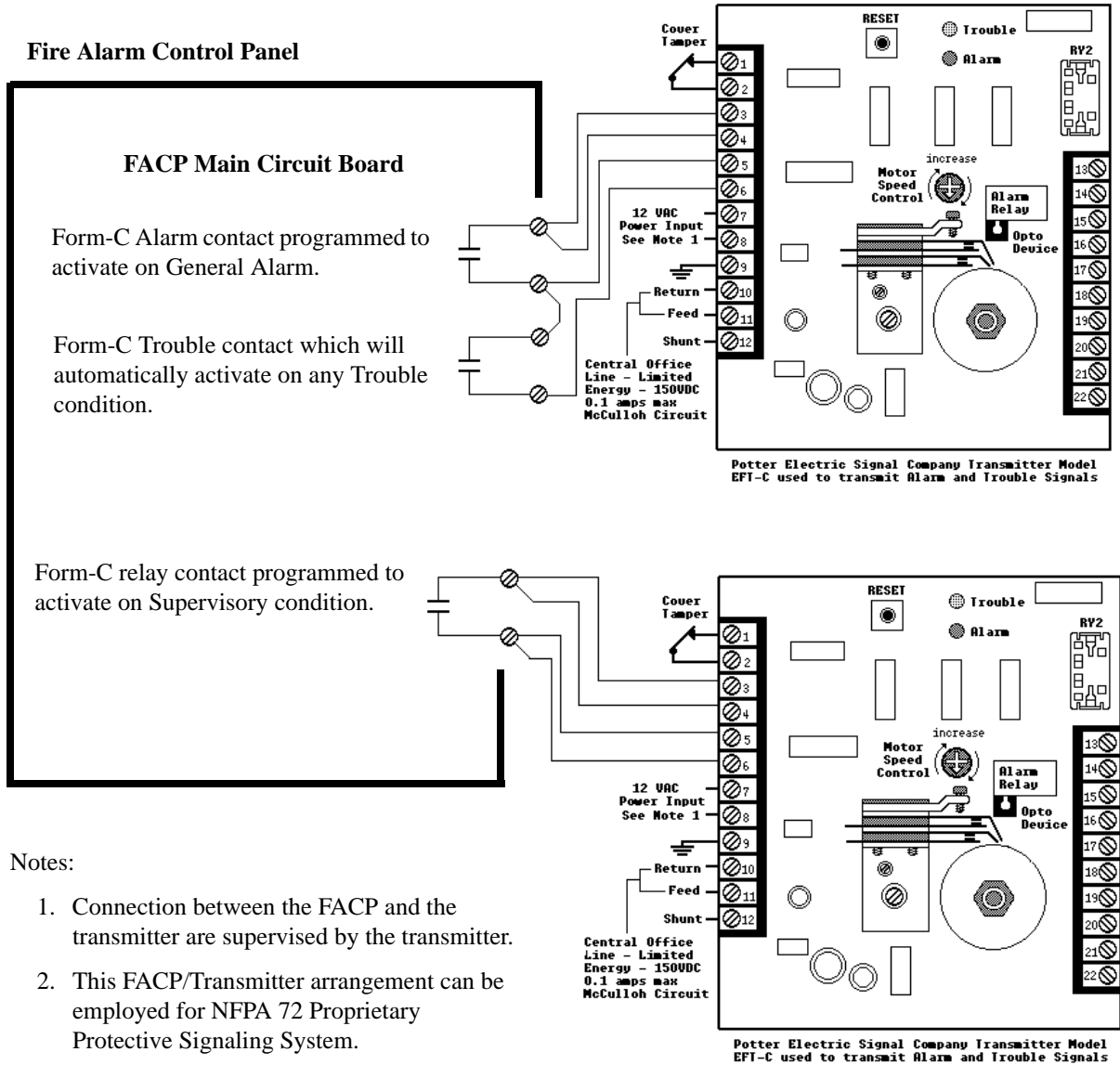
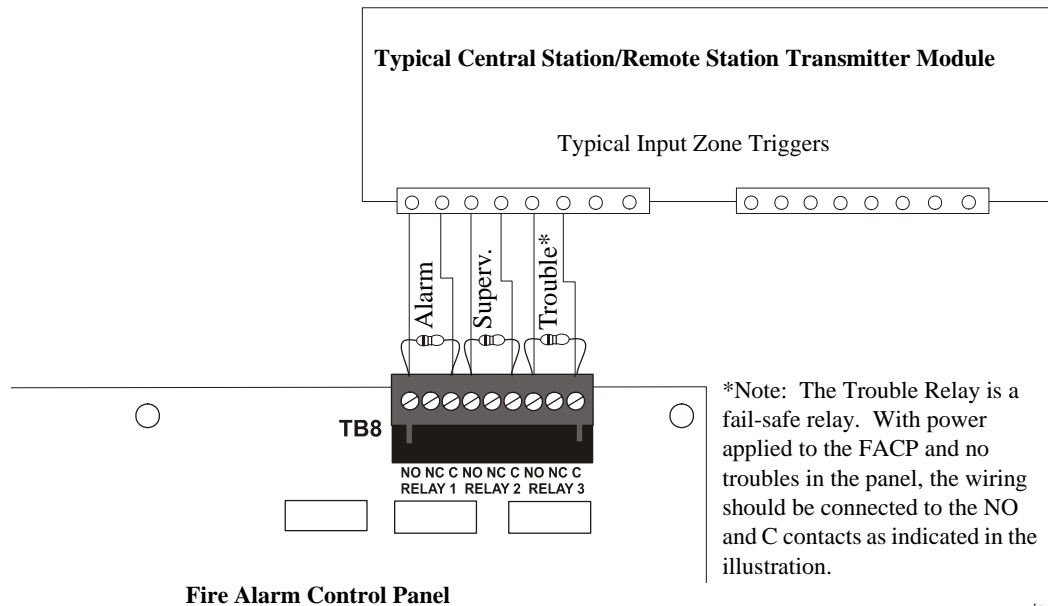


Figure C.4 Proprietary Protective Signaling System

C.2 Central Station/Remote Station Transmitter: Connection to FACP Dry Contacts

The dry contacts of the MRP-2001/E programmable relays can be used to trip a UL-864 Listed Central Station/Remote Station Transmitter. The FACP contacts must be supervised by the Central Station/Remote Station Transmitter module using End-of-Line Resistors (ELRs) with a value determined by the Transmitter manufacturer. Power is also provided by the Central Station/Remote Station Transmitter manufacturer. Refer to the Central Station/Remote Station Transmitter manufacturer's manual for details.



rp2002drysmi.cdr

Figure C.5 FACP Dry Contacts Connection to Central Station/Remote Station Transmitter

APPENDIX D FACP with Keltron

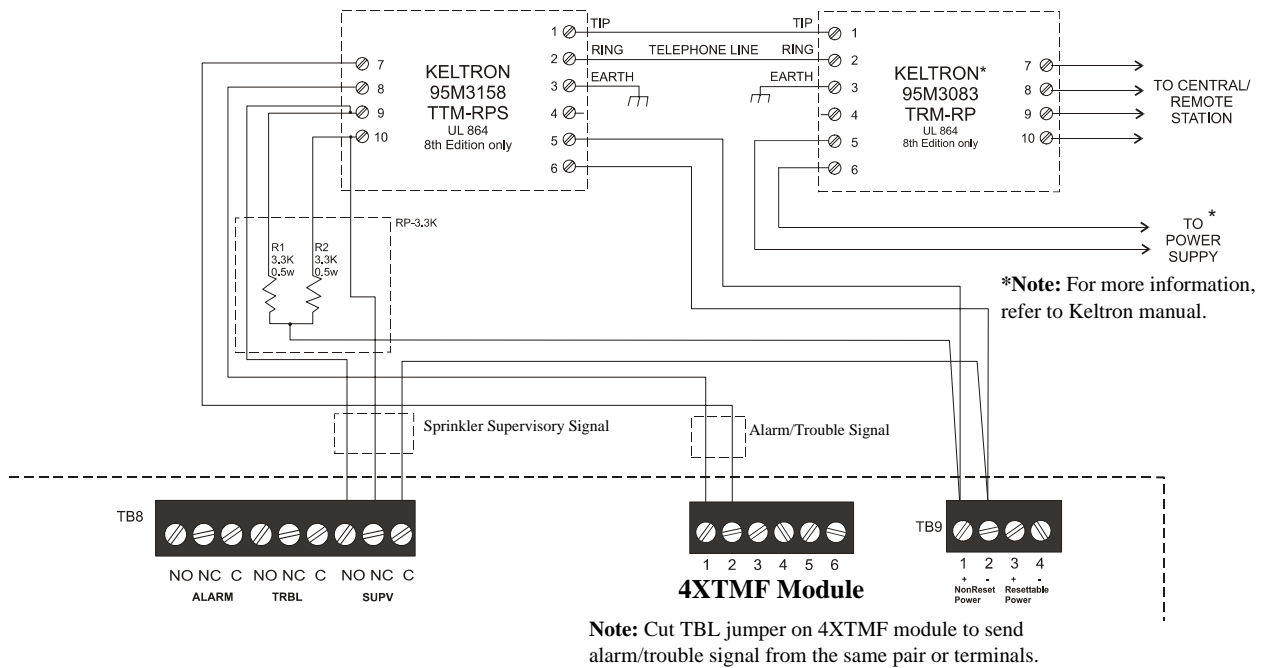
The following figure illustrates the connections between the FACP and Keltron Receiver/Transmitter.

CAUTION! For reasons of wiring diagram clarity, terminal designations of Keltron modules are not shown in actual order. Follow Keltron manual and module markings for exact terminal locations to prevent severe module damage!

IMPORTANT! All connections between the FACP and Keltron modules must be made within 20 feet and enclosed within conduit or equivalently protected against mechanical injury.

Keltron 95M3158 TTM-RPS

1. Terminals 7 and 8: Remote station alarm/trouble inputs.
2. Terminals 9 and 10: Sprinkler supervisory input.



Fire Alarm Control Panel
(terminal blocks are not shown in their actual positions in order to clarify wiring connections)

APPENDIX E **Testing & Maintenance**

E.1 Testing

E.1.1 Inspection

Once installation has been completed, a careful visual inspection should be made before applying power to the system. Check the actual wiring hookup with the wiring diagrams. Insure that no pieces of wire have fallen into the circuitry. Check for missing or damaged parts.

E.1.2 Alarm Test

An initial alarm test should be conducted following installation to determine that all parts of the system are functioning properly. The panels should remain powered for 24 to 36 hours prior to connecting the releasing solenoids. This precaution will avoid false activation of the suppression system in case of faulty or improperly placed detectors.

To perform an alarm test on the control panel, proceed with the following steps:

1. Disconnect AC power and battery power
2. Disconnect the installed solenoid valve circuit leads and connect spare solenoid valves or connect an End-of-Line device to serve as a dummy load
3. Reconnect AC and battery power
4. Initiate a first zone alarm condition by introducing smoke into one of the Zone 1 detectors. This should cause the first zone alarm condition
 - ✓ The red Fire Alarm indicator will illuminate
 - ✓ The LCD display will indicate an alarm condition for zone 1
 - ✓ The control panel piezo will sound
 - ✓ The Alarm relay will energize
 - ✓ The devices connected to the Indicating Circuit(s) programmed to activate on Zone 1 alarm will turn on
5. Repeat step 4 for each input zone
6. When testing has been completed, remove AC and battery power, reconnect the solenoid valve circuits removed in step 2, reconnect AC and battery power and ensure that the control panel is in normal standby condition

5.4.3 Detector Testing

Detectors must be tested after installation and following maintenance.

Important: Before testing, notify the proper authorities that maintenance is being performed and the system will be temporarily out of service. Disable the zone or system undergoing maintenance to prevent any unwanted alarms. Disconnect the installed solenoid valve circuit leads and connect spare solenoid valves or connect an End-of-Line device to serve as a dummy load to prevent unwanted water release.

Ensure proper wiring and power is applied. After power-up, allow 80 seconds for the detectors to stabilize before testing. Refer to System Sensor's i³ Installation and Maintenance Instructions document I56-1800-00 for device specifications and testing procedures.

Test i³ Series detectors as follows:**Test Switch**

1. An opening for the recessed test switch is located on the detector housing.
2. Insert a small screwdriver or allen wrench (0.18" max.) into the test switch opening; push and hold.
3. If the detector is within the listed sensitivity limits, the detector's red LED should light within five seconds.

Smoke Entry Test

Hold a smoldering punk stick or cotton wick at the side of the detector and gently blow the smoke through the detector until it alarms.

Note: For the above tests, the detector will reset only after the power source has been momentarily interrupted.

If a detector fails any of the above test methods, its wiring should be checked and it should be cleaned as outlined in the Maintenance section of the System Sensor Document. If the detector still fails, it should be replaced.

Notify the proper authorities when the system is back in service.

E.2 Maintenance

A regular schedule of inspection, testing and maintenance is vital to ensure proper and reliable operation of the control panel. The procedures should be performed as required by the local authority having jurisdiction. Refer to NFPA documentation for further details.

Index

Numerics

2nd-Shot Water Switch 52
4XTMF 120

A

ABB-BUS

wiring distance 30

AC Loss Delay 65, 67

AC power 20

AC power rating 13

AC power requirements 99

accessories 16

ACK

see also Acknowledge 12

Acknowledge 12

Acknowledge/Step 14, 85

Adjective

list 54

multiple entries 56

Alarm 88

alarm

piezo pulse rate 15

alarm relay 11, 24

contact rating 13

Alarm Silence 12, 14, 85

ANN-BUS 98

auto-configure 73

aux. power 33

device addressing 33

wiring configuration 32

wiring distance chart 31

ANN-BUS Devices 30

ANN-BUS devices 11

ANN-BUS modules 72

ANN-BUS wiring 30

ANN-I/O

LED zone assignments 75

ANN-LED 43, 45

ANN-LED Annunciator Module 41

ANN-S/PG module 97

auto-configure

ANN-BUS 73

Autosilence

NAC 60

Autosilence Timer 91

auxiliary power 24

Auxiliary Trouble Input 13

B

backbox

dimensions 15

mounting 17

Banner 64

setting 67

battery 15, 20

precautions 20

rating 13

battery box 16

battery calculations 102

BB-55

see also battery box 16

buttons

see also control buttons 12

C

cabinet

mounting 17

cabinet dimensions 18

cabinet mounting 19

CAC-5X 21

California 62

charger capacity 13

Charger Disable 64

charger disable 70

circuits 11

Class A 16, 21, 27

Class A Converter Module 16

installation 26

Class B 11, 13, 21

clear programming 80

Clock Format 69

Coded Operation 90

Coding

NAC 61

combination circuit 22

combination waterflow/supervisory 22

requirements 22

wiring 22

compatibility

see also device compatibility 11

configuration

programming 50

Control Buttons 85

control buttons 12

controls 14

cross input zones 63, 94

Cross-Zone 62

cross-zoning 63

current

nonresettable power 24

resettable power 24

total output 23

current requirements for system 100, 101

D

Date setting 69

Daylight Savings 96

Daylight Savings Time 70

Description

detector label 55

description 11

Detector

adding description 53

enable/disable 51

detector functions 90

device compatibility 11

dimensions

backbox 15

Index

- Disable Release 46, 52
- Disable/Enable 89
- DP-51050LED Dress Panel 16
- dress panel 12, 16
- Drill 12, 14, 85
- E**
- earth ground 20
- edit
 - detector screens 51
- Enable/Disable 82
 - zone 51
- End-of-Line resistor
 - IDC 13, 21, 22
 - NAC 13, 23
- Enter key 48
- Erase History 78
- exiting
 - programming 47, 48
 - Read Status 47, 48
- F**
- FACP configuration 50
- fail-safe
 - trouble relay 24
- features 11
- Form-C
 - see also relay 11
- freeze 21, 89
- freeze signal
 - see also smoke detector monitoring 11
- H**
- History 78, 97
 - erase 78
 - Maintenance Level 82
 - view events 78
- history log 11
- I**
- I3 detectors 21
- IDC 11, 13, 21
 - alarm current 13
 - compatibility 21
 - End-of_Line resistor 22
 - End-of-Line resistor 13, 21
 - maximum loop resistance 13, 21
 - short circuit current 13
 - standby current 13
 - wiring 21
- Indicator
 - AC Power 12, 15
 - Alarm Silence 12, 15
 - discharge 12, 15
 - Fire Alarm 12, 15
 - Supervisory 12, 15
 - System Trouble 15
 - Trouble 12
- indicator
 - AC Power 86
 - Alarm Silenced 86
 - discharge 86
 - Fire Alarm 86
 - Supervisory 86
 - Trouble 86
- Indicators 15
- indicators 12, 14
- Initiating Device Circuit 11, 13, 21
 - Class A 27
- In-Line resistor
 - IDC combination circuit 22
- input zone types 52
- Input Zones 50, 93
- installation 17
 - 4XTM 29
 - class A converter module 26
 - option modules 26
 - transmitter module 28
- J**
- J4 and J5
 - option module connectors 28
- JP30 jumper
 - placement supervision 28
- K**
- Key Panel 14
 - function keys 14
 - service/program keys 14
- L**
- lamp test 14
- LCD display 11, 14
- LED annunciator module 16
- LED driver module 16, 39
 - connections 40
 - specifications 39
 - wiring LEDs 41
- LED option module
 - LED zone assignments 75
- M**
- Main 10
- maintenance 21
 - piezo pulse rate 15
- Maintenance Alert 90
- Maintenance Program Level 2 47, 81
- maintenance signal
 - see also smoke detector monitoring 11
- Manual programming 46
- Map 53
- March Time 62
- Master Program Level 1 47, 79
- Mode key 48
- Mounting
 - main circuit board 17
- mounting
 - cabinet 17
- municipal box 29
- municipal box transmitter
 - see also 4XTM 16

Index

N

- NAC 11, 13
 - Auto Silence 60
 - coded 90
 - current 23
 - End-of-Line resistor 13, 23
 - maximum current 13
 - programmable 12
 - synchronized 62
 - wiring 23
 - NFPA 72 Auxiliary Fire Alarm System 116, 119
 - NFPA 72 Central Station Service (Protected Premises Unit) or Remote Station Service 116
 - NFPA 72 Proprietary Fire Alarm System 116
 - NFPA 72 Proprietary Protective Signaling Systems 121
 - NFPA 72 Remote Station Protective Signaling System 120
 - NFPA Standard 116
 - nonpower-limited wiring 25
 - nonresettable power 11, 14, 24
 - current 24
 - maximum current 14
 - Normal 86
 - normal display 46
 - Notification Appliance Circuit 11, 13, 23
 - Class A 27
 - Noun
 - list 55
 - multiple entries 56
 - Noun/Adjective 53, 55
- ## O
- Operating Instructions 85
 - Operation
 - alarm 88
 - disable/enable 89
 - normal 86
 - supervisory 89
 - trouble 87
 - waterflow 89
 - Option Modules 71
 - option modules 16
 - installation 26, 28
 - Output
 - coding 61
 - silence inhibit 60
 - silenceable 59
 - output circuit MAP 53
 - Output Circuits 57
 - output circuits 23
 - Output enable/disable 58
 - output types 58
 - outputs 12
- ## P
- Password 48
 - change 80
 - Maintenance Level 2 48, 81
 - Master Level 1 48

- Piezo
 - see also sounder 15
 - piezo 15
 - alarm 15
 - maintenance 15
 - see also sounder 12
 - supervisory 15
 - trouble 15
 - polarity reversal circuit
 - see also transmitter module 29
 - power 13, 20, 24
 - primary 20
 - secondary
 - see also battery 20
 - power supply calculations 99
 - power-limited wiring 25
 - Power-up
 - first time 47
 - printer connection 38
 - printer module 16, 37
 - installation 37
 - specifications 37
 - printer options 38, 73
 - Program
 - clear 80
 - program keys
 - see also Key Panel 14
 - Programming 46
 - autoprogramming 46
 - exiting 47
 - Level 1 47
 - Level 2 47
 - manual 46
 - Master Level 1 49
 - Programming Levels 47
 - Programming Screens 47
- ## R
- Read Status 46, 92
 - ANN-BUS 98
 - Configuration 93
 - Cross Input Zones 94
 - exiting 47
 - history 97
 - Input Zones 93
 - input zones 93
 - NAC 94
 - Output Circuits 94
 - Print 97
 - relay 95
 - Real-Time Clock 90
 - Recall/Increment Function 56
 - Relay
 - Form-C 64
 - programming 64
 - relay 11, 24
 - contact rating 13, 24
 - relay module 16

Index

- Relays 64, 95
- Release Circuit 58
- Release Stage 91
- Release Stage NAC 59
- releasing circuit 13
- releasing solenoid 12
- releasing solenoids 11
- remote LCD annunciator
 - installation 34
 - programming 36, 76
 - specifications 34
 - wiring 35
- remote station service 29
- Remote Station Transmitter Connection to FACP Dry Contacts 122
- Reset 12, 14, 85
- resettable power 11, 13, 24
 - current 24
 - maximum current 13
- reverse polarity circuit
 - see also 4XTM 16
- S**
- Silence Inhibit 60
- Silence Inhibit Timer 91
- Silenceable
 - Output 59
- silenceable circuits
 - synchronized signals 59
- soak timer 65, 66
- Soak Timers 91
- sounder 12, 15
- sprinkler standards
 - NFPA 12
- Steady 62
- strobes 12, 62
 - maximum 62
- Style B 13, 21
 - see also Class B 11
- Style D 16, 21, 27
- Style Y 13
 - see also Class B 11
- Style Z 16, 27
- subscreen 47
- supervision
 - transmitter option module placement 28
- Supervisory 11, 89
- supervisory
 - piezo pulse rate 15
- supervisory relay 24
 - contact rating 13
- Synchronization 62
- synchronization 62
- Synchronized 62
- synchronized 62
- synchronized signals 62
 - and silenceable circuits 59
- system current calculations 100
- System Settings 95
- System Setup 64
- T**
- Temporal 62
- Time setting 69
- Time-Date
 - Maintenance Level 84
- Time-Date setting 64, 68
- Timers 64, 96
- timers 65
- Transmitter Module 16
- transmitter module 29
 - installation 28, 29
 - operation 29
 - specifications 29
- transmitter option module
 - placement supervision 28
- trim ring 16
- Trouble 87
- trouble
 - piezo pulse rate 15
- Trouble Input
 - Auxiliary 13
- trouble relay 11, 24
 - contact rating 13
 - fail-safe 24
- Trouble Reminder 64, 70, 91
- Type
 - zone 51
- type
 - zone 51
- types
 - outputs 58
- U**
- UL
 - wiring requirements 25
- V**
- View Events 78
- W**
- Walktest 79, 91
 - audible 79
 - Maintenance Level 83
 - operation 91
 - silent 79
- Waterflow Delay timer 65, 66
- Waterflow DelayTimer 91
- waterflow/supervisory circuit 22
- wiring
 - ANN-BUS 30
 - class A converter module 27
 - Class A IDC 27
 - Class A NAC 27
 - combination waterflow/supervisory 22
 - IDC 21
 - NAC 23
 - nonpower-limited 25
 - power-limited 25

Index

UL requirements 25

Z

Zone

type 51

Zone Setup

Maintenance Level 82

zone type

inputs 52

Limited Warranty

Honeywell International Inc. warrants products manufactured by it to be free from defects in materials and workmanship for eighteen (18) months from the date of manufacture, under normal use and service. Products are date stamped at time of manufacture. The sole and exclusive obligation of **Honeywell International Inc.** is to repair or replace, at its option, free of charge for parts and labor, any part that is defective in materials or workmanship under normal use and service. All returns for credit are subject to inspection and testing at the factory before actual determination is made to allow credit. **Honeywell International Inc.** does not warrant products not manufactured by it, but assigns to the purchaser any warranty extended by the manufacturer of such products. This warranty is void if the product is altered or repaired by anyone other than **Honeywell International Inc.** or as expressly authorized by **Honeywell International Inc.** in writing, or is serviced by anyone other than **Honeywell International Inc.** or its authorized distributors. This warranty is also void if there is a failure to maintain the products and systems in which they operate in a proper and workable manner. In case of defect, secure a Return Material Authorization form from our Return Authorization Department.

This writing constitutes the only warranty made by **Honeywell International Inc.**, with respect to its products. **Honeywell International Inc.**, does not represent that its products will prevent any loss by fire or otherwise, or that its products will in all cases provide the protection for which they are installed or intended. Buyer acknowledges that **Honeywell International Inc.**, is not an insurer and assumes no risk for loss or damages or the cost of any inconvenience, transportation damage, misuse, abuse, accident or similar incident.

HONEYWELL INTERNATIONAL INC. GIVES NO WARRANTY, EXPRESS OR IMPLIED, OF MERCHANTABILITY, FITNESS FOR ANY PARTICULAR PURPOSE, OR OTHERWISE WHICH EXTENDS BEYOND THE DESCRIPTION ON THE FACE HEREOF. UNDER NO CIRCUMSTANCES SHALL **HONEYWELL INTERNATIONAL INC.** BE LIABLE FOR ANY LOSS OF OR DAMAGE TO PROPERTY, DIRECT, INCIDENTAL OR CONSEQUENTIAL, ARISING OUT OF THE USE OF, OR INABILITY TO USE **HONEYWELL INTERNATIONAL INC.'S** PRODUCTS. FURTHERMORE, **HONEYWELL INTERNATIONAL INC.** SHALL NOT BE LIABLE FOR ANY PERSONAL INJURY OR DEATH WHICH MAY ARISE IN THE COURSE OF, OR AS A RESULT OF, PERSONAL, COMMERCIAL OR INDUSTRIAL USE OF ITS PRODUCTS.

This warranty replaces all previous warranties and is the only warranty made by **Honeywell International Inc.** No increase or alteration, written or verbal, of the obligation of this warranty is authorized.

Warn-HL-05-2007.fm



World Headquarters
1 Firelite Place
Northford, CT 06472-1653 USA
203-484-7161
fax 203-484-7118

www.firelite.com

ISO 9001
CERTIFIED
ENGINEERING & MANUFACTURING
QUALITY SYSTEMS

Free Manuals Download Website

<http://myh66.com>

<http://usermanuals.us>

<http://www.somanuals.com>

<http://www.4manuals.cc>

<http://www.manual-lib.com>

<http://www.404manual.com>

<http://www.luxmanual.com>

<http://aubethermostatmanual.com>

Golf course search by state

<http://golfingnear.com>

Email search by domain

<http://emailbydomain.com>

Auto manuals search

<http://auto.somanuals.com>

TV manuals search

<http://tv.somanuals.com>