

TDIAP502730, TDIAP520830, & TDIAP521030 Airflow Switches

SPECIFICATION DATA



FEATURES

- Models available with compression or barb fittings
- SPDT contacts on automatic reset models
- SPST n. c. contacts on manual reset models
- Electrical switch enclosed in metal box with cover
- Reliable pneumatic operation
- UL and CSA Listed, FM approved
- Adjustable setpoint

GENERAL

Airflow Differential Pressure Switches are used to sense positive, negative, or differential air pressure in HVAC systems. They provide high or low limit with alarm or high limit shutdown with manual reset.



DESCRIPTION

Airflow Differential Pressure Switches are used to sense positive, negative, or differential air pressure in HVAC systems. They provide high or low limit with alarm or high limit shutdown with manual reset.

SPECIFICATIONS

Models:

- TDIAP502730: auto reset, compression fittings also available as 14004866-001 for panel mounting
- TDIAP520830: auto reset, barb fittings
- TDIAP521030: compression fittings, manual reset

Setpoint:

TDIAP520830, TDIAP502730: Adjustable 0.05 to 12.0 in. wc (0.0018 to 2.98 kPa)
 TDIAP521030: Adjustable 0.30 to 12.0 in. wc (0.0108 to 2.98 kPa)

Connections:

Electric:

Screw terminals with cup washers
 Knockout for 1/2-in. conduit

Pneumatic:

Compression fittings for 1/4-in. (6 mm) O.D. rigid or semirigid tubing
 Barb fittings for 1/4-in. (6 mm) O.D. polyethylene tubing

Switching Differential, Nonadjustable:

TDIAP520830, TDIAP502730: 0.02 ±0.01 in. wc (0.72 ±0.36 Pa) at minimum setpoint to approximately 0.80 in. wc (0.029 kPa) at maximum setpoint. Normally open contacts close on a pressure rise above setpoint and normally closed contacts open on a pressure rise above setpoint.

TDIAP521030: 50% of setpoint at minimum setting to 2.5 in. wc at maximum setpoint. Contact opens on pressure rise above setpoint and remain open until pressure drops below setpoint plus differential and reset button is fully depressed.

Switching Action:

SPDT contacts on auto reset models. Normally open contacts close on a pressure rise above setpoint and normally closed contacts open on a pressure rise above setpoint.

SPST normally closed on manual reset model, contact opens on pressure rise above setpoint. Must be manually reset.

Maximum Differential Pressure:

0.5 psi, 13.85 in. wc, or 3.44 kPa

Electrical Rating:

TDIAP520830, TDIAP502730 and 14004866:

278 VA Pilot duty, 24V ac;
 300 VA Pilot duty, 120 to 277V ac;
 15A non-inductive to 277V ac maximum
 10 mA at 5V dc (gold-flash contacts)

TDIAP521030:

20A resistive 125 to 277V ac
 3/4 hp, 125V ac
 1-1/2 hp, 250V ac
 6000 cycles

Listings:

UL and CSA Listed
 FM approved

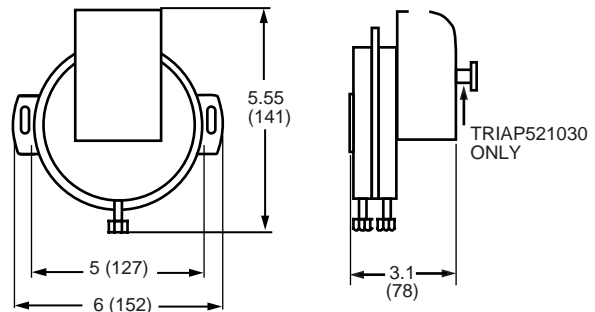
Operating Temperature:

-40 to 190F (-40 to 88C)

Mounting Position:

Diaphragm must be vertical with input connections down.

Dimensions in Inches (Millimeters):



C6981

Home and Building Control

Honeywell Inc.
 Honeywell Plaza
 P.O. Box 524
 Minneapolis MN 55408-0524

Home and Building Control

Honeywell Limited-Honeywell Limitée
 155 Gordon Baker Road
 North York, Ontario
 M2H 2C9

Honeywell Asia Pacific Inc.

Room 3213-3225
 Sun Hung Kai Centre
 No. 30 Harbour Road
 Wanchai
 Hong Kong

Honeywell Latin American Division

Miami Lakes Headquarters
 14505 Commerce Way Suite 500
 Miami Lakes FL 33016

Honeywell Europe S.A.

3 Avenue du Bourget
 B-1140 Brussels Belgium

Honeywell

Helping You Control Your World

Free Manuals Download Website

<http://myh66.com>

<http://usermanuals.us>

<http://www.somanuals.com>

<http://www.4manuals.cc>

<http://www.manual-lib.com>

<http://www.404manual.com>

<http://www.luxmanual.com>

<http://aubethermostatmanual.com>

Golf course search by state

<http://golfingnear.com>

Email search by domain

<http://emailbydomain.com>

Auto manuals search

<http://auto.somanuals.com>

TV manuals search

<http://tv.somanuals.com>