

ML6275 Spring Return Direct Coupled Rotary Actuator

PRODUCT DATA



APPLICATION

The ML6275 Spring Return Direct Coupled Rotary Actuator is a floating control motor with an internal, electrically isolated feedback potentiometer that can be used with controls that provide switched or floating single pole double throw (spdt) control output to operate dampers in heating, ventilation, and air conditioning (HVAC) applications. The feedback potentiometer provides indication of the motor output hub position and can be used for rebalancing an internal control circuit.

FEATURES

- Mounts directly on horizontal 3/8 in., 1/2 in., and 5/8 in. round and square damper shafts by using the appropriate insert. Most models are shipped with 1/2 in. insert.
- Provides 25 lb-in. running and spring return torque.
- Magnetic coupling eliminates the need for mechanical stops or limit switch adjustments by limiting stall torque to 60 lb-in. maximum.
- 95° stroke provides necessary compression of rubber/neoprene gaskets commonly used on 90° low leakage dampers.
- 88 second synchronous timing can eliminate need for feedback position indication in closed-loop temperature control applications.
- Removable splined output hub permits premounting of hub on damper shaft, providing installation flexibility.
- Reversible mounting allows actuator to be used for either clockwise (cw) or counterclockwise (ccw) spring rotation.
- Designed for both single-point and three-point mounting, to allow installation flexibility.
- Available with or without a time-out feature. Models without the time-out feature are designed to be used with intelligent building management system and/or controller.
- Standard models have two 8 mm by 12 mm long set screws for securing the damper shaft. Actuator models available for various shaft sizes that allow damper shaft to operate centered inside the output hub.
- Standard one-meter cable with color-coded leadwires allows external wire connections with 1/2 in. conduit connectors.
- Two or more actuators can be mounted on one damper shaft to increase output torque for use on dampers larger than eight square feet.

Contents

General	1
Features	1
Specifications	2
Ordering Information	2
Installation	4
Operation	9
Checkout	11



SPECIFICATIONS

Models

- ML6275: Spring Return Direct Coupled Rotary Actuators
- ML6275A: Low Torque (25 lb-in.) Direct Coupled Rotary Actuator without auxiliary switches or time-out function
- ML6275C: Low Torque (25 lb-in.) Direct Coupled Rotary Actuator with two line voltage rated auxiliary switches and without time-out function
- ML6275D: Low Torque (25 lb-in.) Direct Coupled Rotary Actuator without auxiliary switches and with time-out function
- ML6275F: Low Torque (25 lb-in.) Direct Coupled Rotary Actuator with two line voltage auxiliary switches and with time-out function

Electrical Ratings:

- Power Input: 24 Vac \pm 20%, 50/60 Hz
- Power Consumption:
 - ML6275A-C: 12 VA maximum at 24 Vac
 - ML6275D,F: 12 VA maximum at 24 Vac
- Auxiliary Switch Ratings: 120, 240 Vac, 3 AFL, 18 ALR, 1A Pilot Duty

Cable Ratings:

- Control: Standard models include nonplenum UL/CSA rated, 30V, 60°C, 20 gauge computer cable
- Auxiliary Switch: UL/CSA rated 300V, 90°C, 18 gauge cable

Controller Type:

- Floating, 3-wire drive open, drive closed, hold. Internal electrically isolated feedback potentiometer provides indication of motor position

Torque Ratings at Rated Voltages:

- Lift and Hold: 25 lb-in. (3 N•m)
- Breakaway Minimum: 25 lb-in. (3 N•m)
- Stall Minimum: 25 lb-in. (3 N•m) spring return
- Stall Driving Maximum: 60 lb-in. (6.5 N•m)

Actuator Stroke:

- 95° Nominal \pm 2°, mechanically limited

Actuator Timing at 90° Stroke:

- 88 \pm 2 seconds synchronous at 60 Hz from 0°F to 140°F;
- 106 \pm 2 seconds at 50 Hz
- Spring Wind Timing Upon Power Restoration Only: 100 seconds nominal at 60 Hz, 120 seconds at 50 Hz
- Spring Return Timing:
 - 30 seconds maximum per 90° at 72°F rated load
 - 5 minute maximum at -30°F rated load

Ambient Temperature Range:

- 30°F to +140°F (-35°C to +60°C)

Storage Temperature:

- 30°F to 150°F (-35°C to 65°C)

Humidity:

- 5 to 95 percent relative humidity, noncondensing

Mounting:

- Mounts directly on horizontal 3/8 in. to 5/8 in. (12 to 16 mm) round or square damper shaft. Minimum shaft length required:
 - 3.5 in. (76 mm) when the shaft attachment is made on the side of the actuator opposite the duct;
 - 0.65 in. (16 mm) when the hub is mounted on the shaft before the actuator is installed.

Most actuators are shipped with specifically sized hubs. Some models contain an assembly with assorted hub inserts. Mounting bracket is included with most models.

Dimensions:

- See Fig. 1

Device Weight:

- 4.0 lb (1.82 kg)

Noise Rating:

- Driving Only: 45 dBA maximum at 0.9m

Spring Rotation:

- Clockwise (cw); counterclockwise (ccw) by reverse mounting

Position Indicator:

- Mounted on actuator hub

Actuator Design Life:

- Full Stroke Cycles: 60,000

Repositions:

- 1,500,000 minimum

Spring Return Cycles:

- 7,500

Approvals:

- UL94-5V Enclosure: Plenum rating
- UL873: Line voltage auxiliary switches
- UL Listed: File Number E4436, Guide Number XAPX
- CSA Listed: File Number LR95329-17

ORDERING INFORMATION

When purchasing replacement and modernization products from your TRADELINE® wholesaler or distributor, refer to the TRADELINE® Catalog or price sheets for complete ordering number, or specify:

1. Model number.
2. Application.

If you have additional questions, need further information, or would like to comment on our products or services, please write or phone:

1. Your local Honeywell Home and Building Control Sales Office (check white pages of your phone directory).
2. Home and Building Control Customer Relations
Honeywell, 1885 Douglas Drive North
Minneapolis, Minnesota 55422-4386

In Canada—Honeywell Limited/Limitée, 35 Dynamic Drive, Scarborough, Ontario M1V 4Z9. International Sales and Service offices in all principal cities of the world.

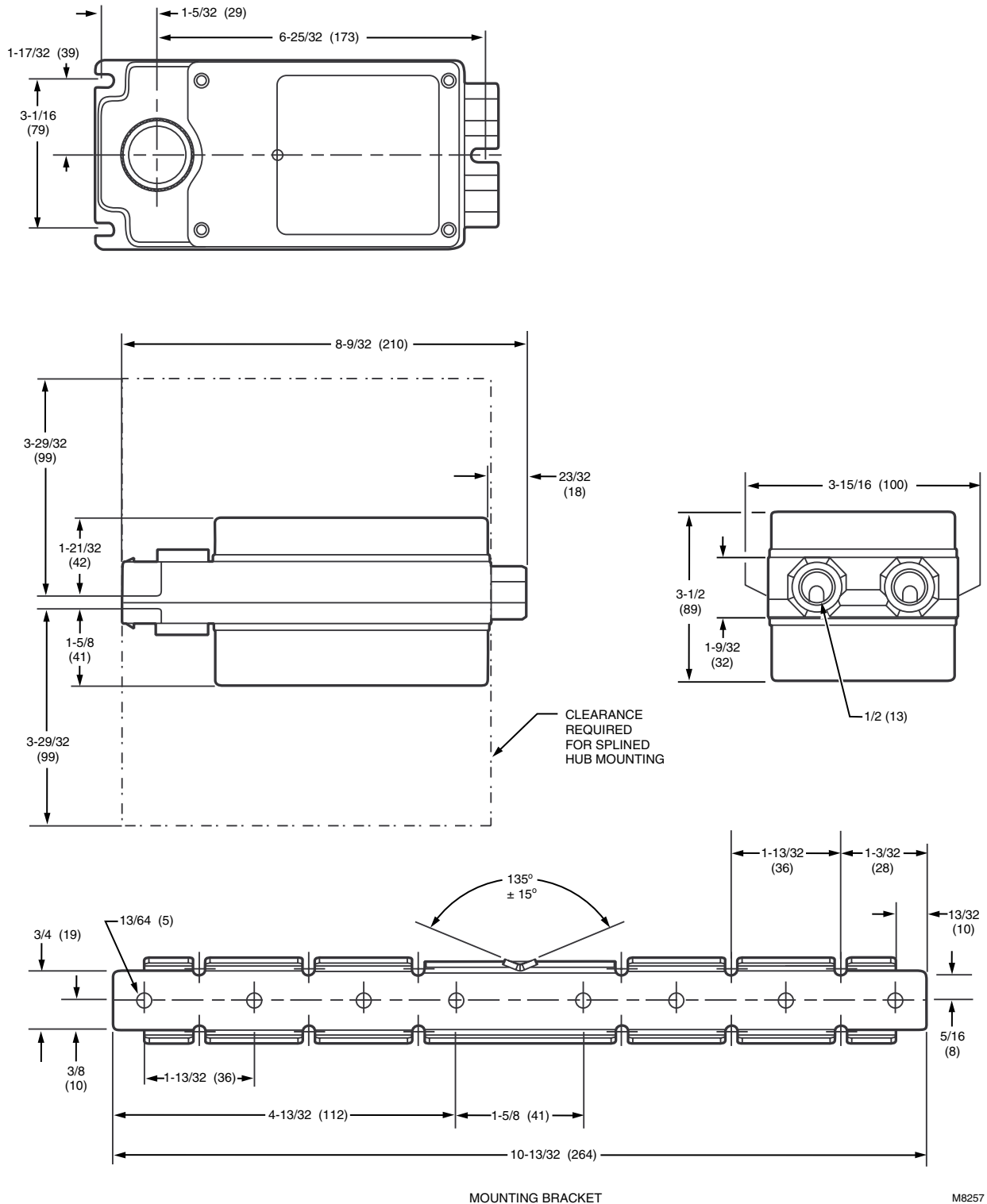


Fig. 1. Approximate dimensions of ML6275 Spring Return Direct Coupled Actuator and mounting bracket in in. (mm).

Environmental Protection Ratings:

NEMA1 standard with damper shaft in horizontal position

Mounting Tab:

For use with Universal mounting bracket

Accessories:

- 205753 Hub Sleeve, 3/8 in
- 205758 Hub Sleeve, 5/8 in
- 205820A 3-Point Mounting Kit
- 205830A Crank-Arm Accessory
- 205840A Tandem Mount Kit
- 205850A End Stop Kit

INSTALLATION

When Installing this Product...

- ❶ Read instructions carefully. Failure to follow them could damage the product or cause a hazardous condition.
- ❷ Check ratings and description given in the specifications to make sure the product is suitable for your application.
- ❸ Installer must be a trained, experienced service technician.
- ❹ After installation is complete, check out product operation as provided in these instructions.

! CAUTION

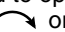

1. Disconnect power before installation to prevent electrical shock or equipment damage.
2. Never turn motor output hub by hand or wrench.
3. Do not install actuator in areas with acid fumes or other deteriorating vapors that might attack the metal parts of the actuator.
4. Do not install actuator in areas with escaping gas or other explosive vapors that could be ignited by a spark from the actuator or attached accessories.

Location

Install the actuator in any location free from acid fumes or other deteriorating vapors that might attack the metal parts of the actuator. Make sure the location is not subject to escaping gas or other explosive vapors that could accidentally be ignited by a spark from the actuator or its attached parts.

Install the actuator in a location that allows enough clearance for mounting accessories and for servicing.

Mounting

The ML6275 Direct Coupled Actuator is designed to operate a damper by driving the damper shaft either cw  or ccw , depending on damper design. All actuators are shipped in the fully closed position.

The ML6275 Direct Coupled Actuator is designed for single-point mounting when using an adapter bracket. Single-point mounting is typically used when the actuator is mounted on the damper frame.

A mounting bracket (see Fig. 1) is provided with some models to aid in installing the actuator. The bracket can be bent to any shape to support the actuator at the correct height.

The ML6275 Direct Coupled Actuator can also be three-point mounted using the two front gear housing slots and the adapter bracket. Two screws are secured through the two front gear housing slots and the adapter bracket positioned to secure the rear of the actuator. Three point mounting is used for foot mounting the actuator or internally mounting the actuator in the duct when direct shaft coupling is not possible.

! CAUTION

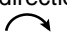
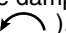
Do not use the actuator as a shaft bearing. The actuator must be used only to supply rotational torque. To prevent damage to the actuator, avoid any side loads to the actuator output coupling bearings.

Preparation

Before installing the ML6275 on the damper shaft, determine the opening direction of the damper shaft to determine the correct spring return rotation and correctly connect the wiring. The ML6275 can be mounted to provide clockwise or counterclockwise spring return. Reverse the actuator if necessary to provide the desired spring action.

Installation

Installing the Actuator and Mounting Bracket (Single Point Mounting)

When the direction of the damper shaft rotation is determined (either cw  or ccw ) , proceed as follows:

- ❶ Place the ML6275 Direct Coupled Actuator over the damper shaft.
- ❷ Position the actuator for best access to the actuator damper shaft locking screw.
- ❸ Install the mounting bracket (see Fig. 2) and adjust it to support the actuator at the correct height. Mark the screw holes for installing the mounting bracket on the damper housing.
- ❹ Remove the mounting bracket and actuator.
- ❺ Drill or center punch the starting holes for the mounting bracket screws (or use no. 10 self-tapping sheet metal screws).
- ❻ Place the actuator and mounting bracket back into position over the damper shaft and install the mounting bracket screws.
- ❼ Tighten the two 8 mm by 12 mm long set screws firmly against the damper shaft (maximum tightening torque is 100 lb-in.).

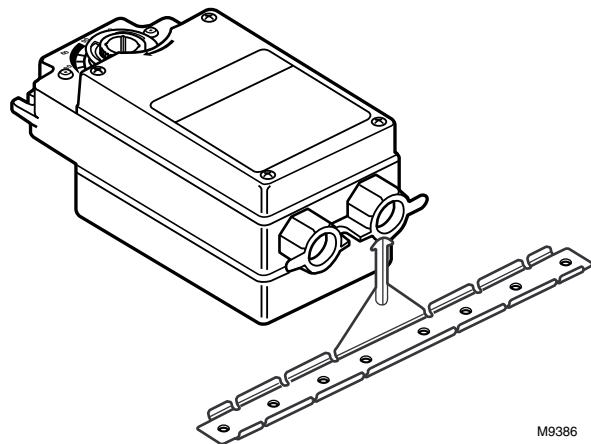


Fig. 2. Installing mounting bracket on ML6275 Direct Coupled Actuator.

Installing the Actuator for Three-Point Mounting

The ML6275 Direct Coupled Actuator is designed with removable hub sleeves to accommodate specific damper shaft sizes. Proper sleeve selection is necessary when three-point mounting is used to avoid excessive strain on the output gear. Most ML6275 Actuators are shipped with a 1/2 in. hub sleeve. For field use, several hub sleeve sizes are available. See the Accessories listing in the Specifications section. Shaft sizes are stamped on the sleeves.

The ML6275 Direct Coupled Actuator can be mounted directly on the motor shaft with the actuator in any position when the actuator housing is parallel with the damper housing or frame. (See Fig. 7.)

The ML6275 Direct Coupled Actuator has a reversible output hub. The hub is factory-mounted on the top of the actuator gear housing. When attaching to damper shafts less than 3.5 in. (76 mm) long, or for ease of mounting, the output hub can be mounted to the inside of the actuator gear housing. See Fig. 3. Be careful when removing the retaining ring that secures the output hub to the actuator housing. Use a flatheaded screwdriver to pry the ring loose.

Other possible mounting configurations and standard connections are shown in Fig. 4 through 7.

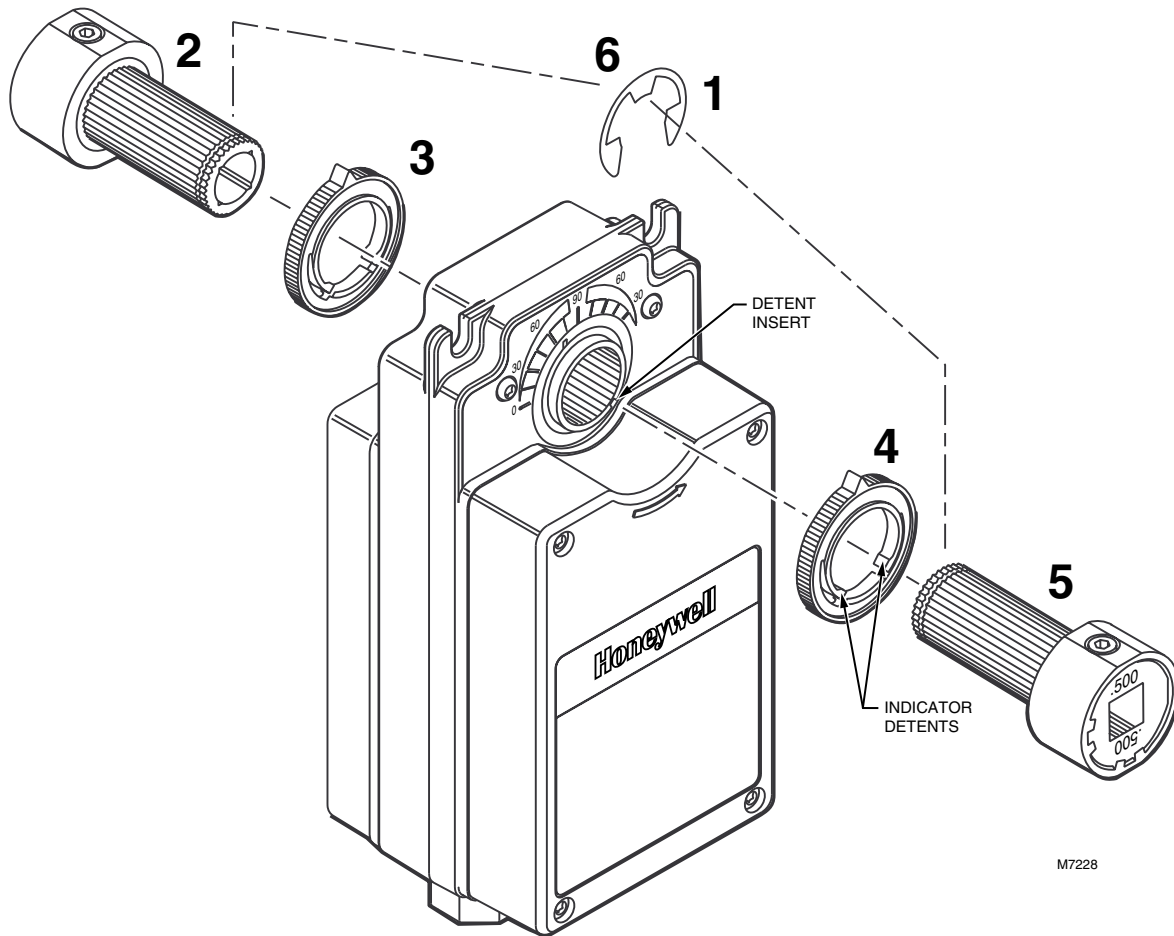


Fig. 3. Mounting hub to inside of actuator.

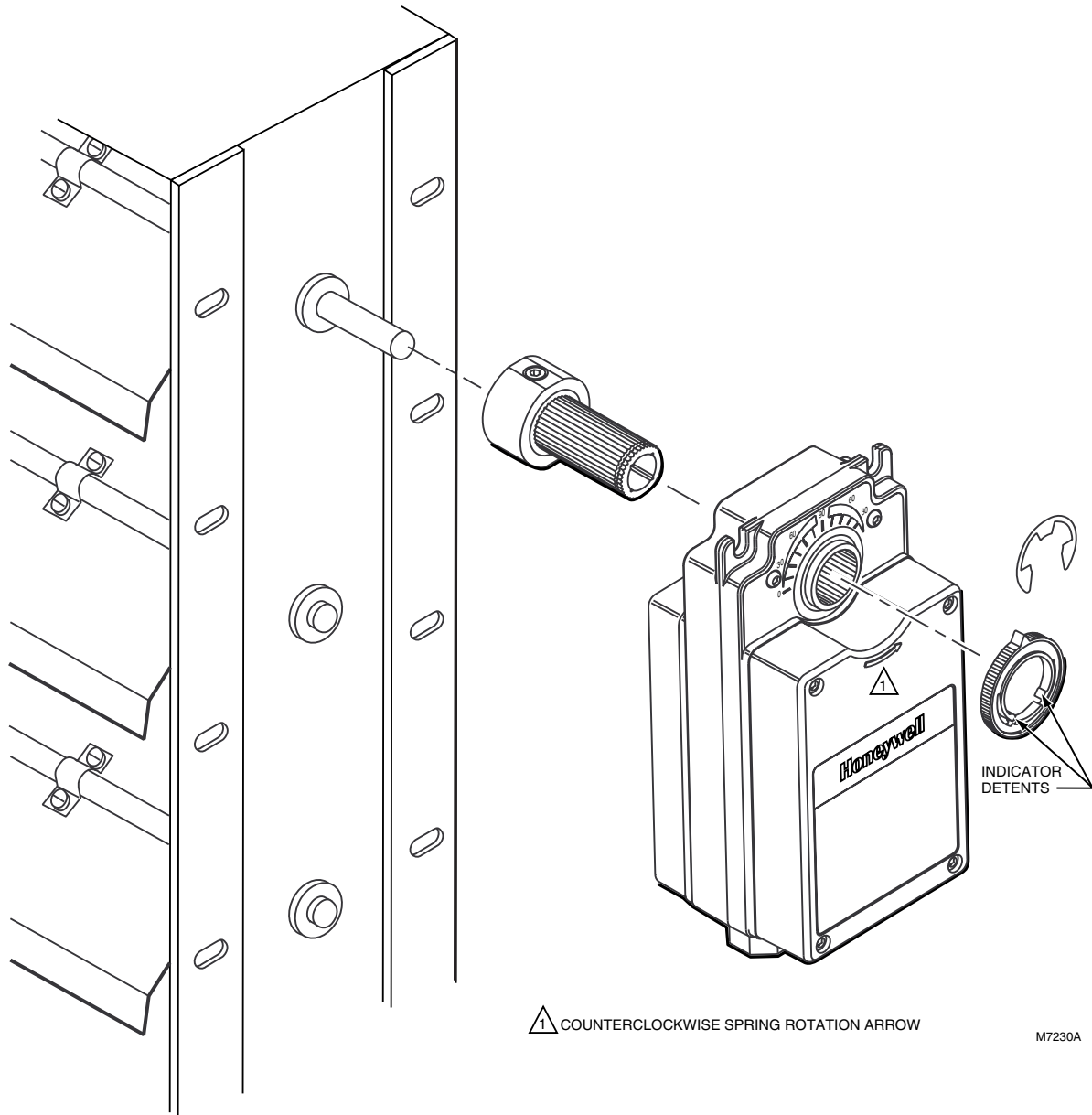
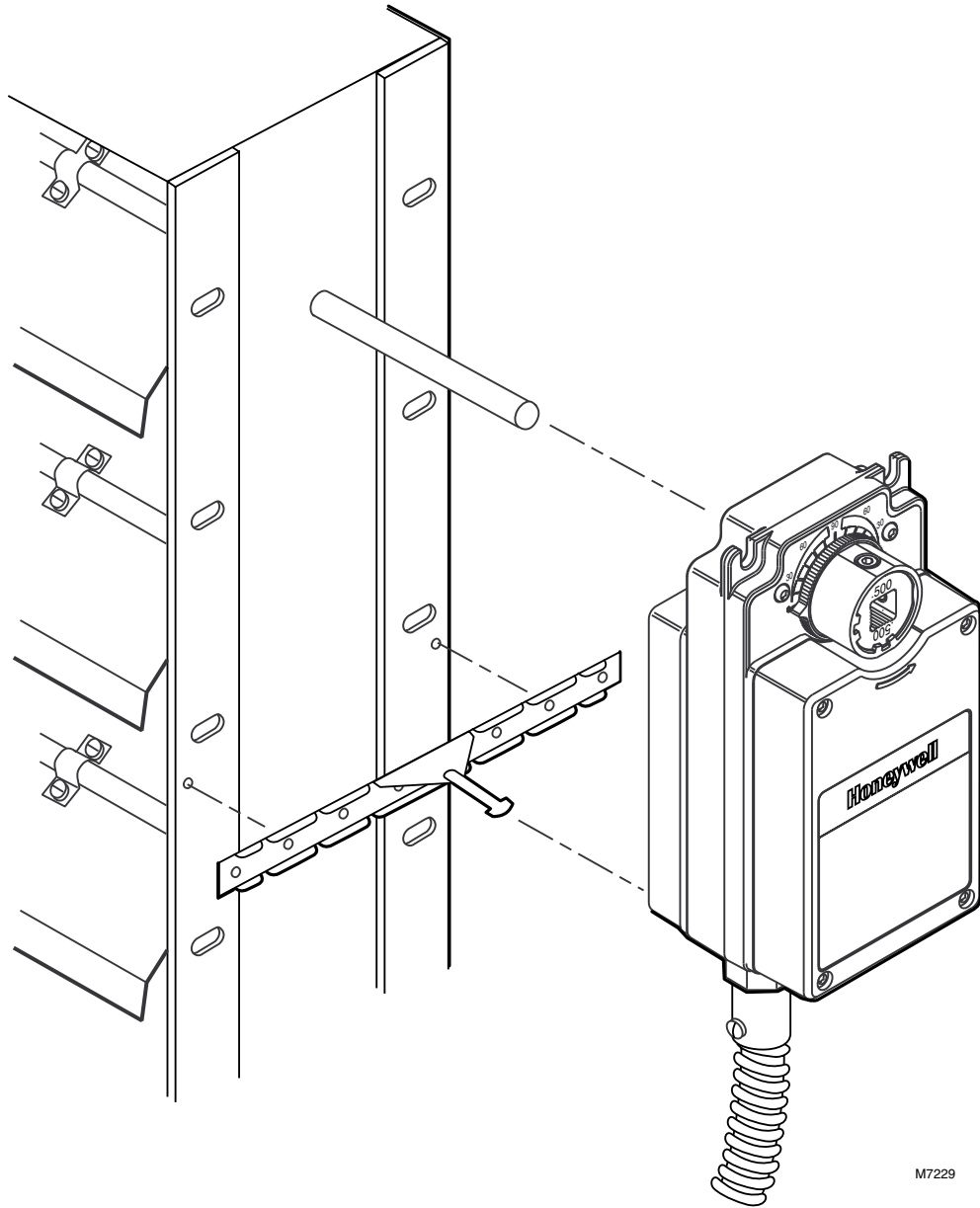


Fig. 4. ML6275 Actuator mounted for counterclockwise spring rotation with output hub inside actuator. (NOTE: NEMA rating applies only with damper shaft in horizontal position.)



M7229

Fig. 5. Standard direct coupled mounting of ML6275 to a damper with counterclockwise spring rotation.

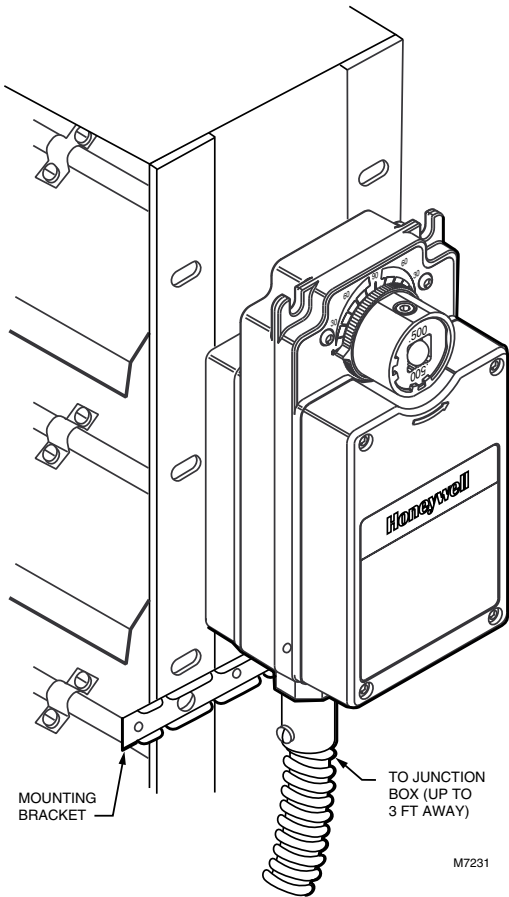


Fig. 6. ML6275 Actuator standard electrical connection.

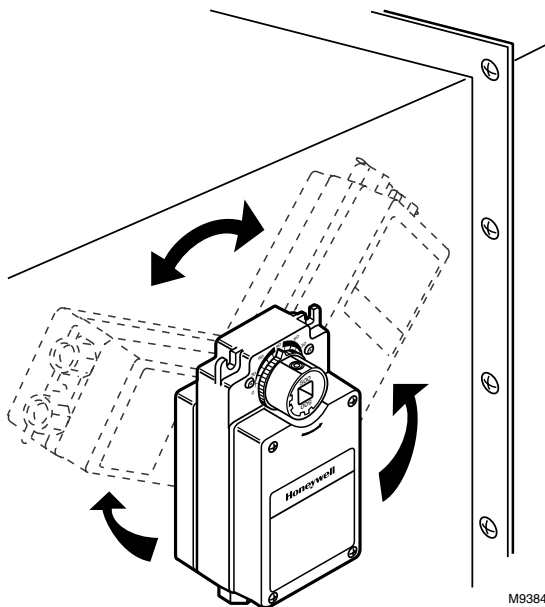


Fig. 7. ML6275 Actuator can be mounted in any position. (NOTE: NEMA rating applies only with damper shaft in horizontal position.)

Wiring

⚠ CAUTION

Disconnect power supply before wiring to prevent electrical shock or equipment damage.

All wiring must comply with local electrical codes, ordinances and regulations. The ML6275 is designed for use with a Class 2 power supply. Voltage and frequency of the transformer used must correspond with the characteristics of the motor and those of the power supply. See Fig. 8 for a typical wiring connection.

The ML6275 has an aluminum die cast housing with two integral cast bosses on the end of the device, tapped for 1/2 in. conduit fittings. Some models are shipped with a water seal in the conduit opening. If conduit is needed, remove the seal before routing the cable.

ML6275 Models with Factory-mounted Auxiliary Switches (See Fig. 9)

ML6275C,F models have two nonadjustable line voltage rated spdt auxiliary switches that are factory set to make common to normally open at 12° and 82° rotation from the counterclockwise stop. See Fig. 9.

IMPORTANT:

Actuators driving in parallel may not be synchronized with each other. In normal operation, when all actuators are driven to the fully open or fully closed position, the actuators are again synchronized.

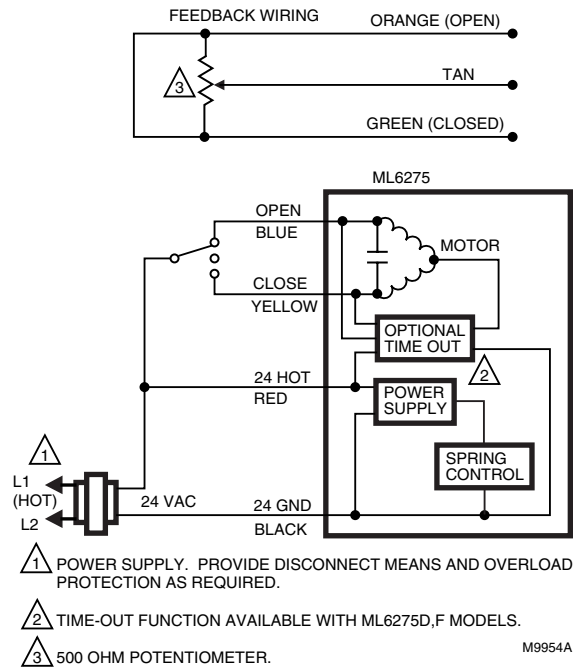


Fig. 8. ML6275 typical wiring diagram.

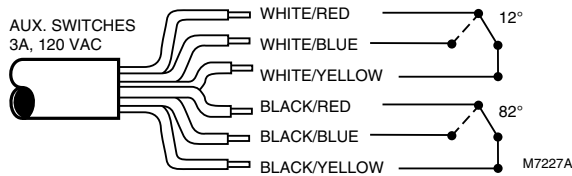


Fig. 9. ML6275C,F wiring for auxiliary switches.

Connecting ML6275 Actuators in Parallel

ML6275 Actuators can be stacked on one damper shaft to increase the output torque required to drive dampers larger than eight square feet.

To make sure proper phasing occurs, connect all four leadwires (red, black, yellow and blue) in parallel. The number of actuators that can be wired in parallel is dependent on the transformer VA rating. Make certain that the connected load does not exceed the current capacity of the controller/thermostat. See Fig. 10 and 11.

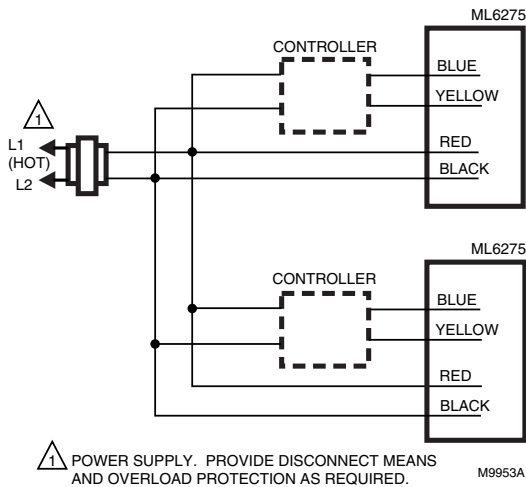


Fig. 10. Common transformer with two controller outputs and two actuators.

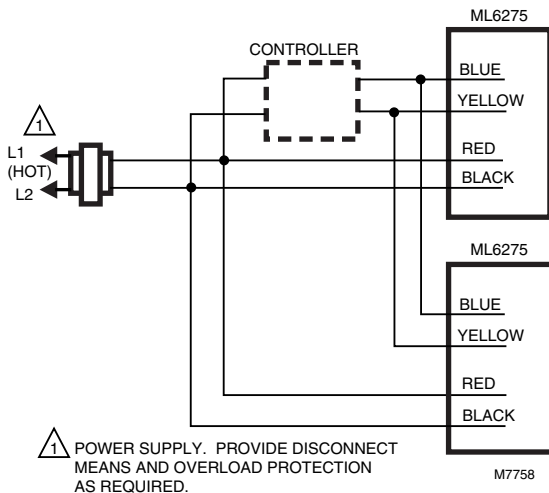


Fig. 11. Common transformer with one controller output and two actuators.

OPERATION

The ML6275 Direct Coupled Actuator is designed to be used in ventilating and air conditioning installations to operate dampers, ventilation flaps and louvers requiring up to 25 lb-in. torque. If the power fails, the actuator will spring return to the starting position. The actuator is designed for reversible mounting. Arrows are molded into the covers to show the spring return direction. The larger cover shows a counterclockwise (ccw) spring rotation; the smaller cover shows a clockwise (cw) spring rotation.

The ML6275 Direct Coupled Actuator is operated by an spdt floating controller. When using an spdt floating controller, the actuator will be driven toward its fully open position when the controller makes R to B and toward the fully closed position when the controller makes R to W. It stops when neither contact is made.

IMPORTANT

The ML6275 is designed to respond to instantaneous contact closures from a DDC Controller. Be careful not to short cycle the actuator. Unstable damper control can cause premature actuator failure.

The actuator has a position indicator to show shaft position. As the indicator moves with the shaft, it gives an angular representation of the damper position. There are four distinct positions where the indicator can be placed. The indicator can be removed (by first removing the output hub) to provide proper damper orientation. The indicator can be indexed to show cw or ccw open or closed, using the detents that are 90° apart. See Fig. 12. If the spring return position is the open position, rotate the indicator until it points to 90 on the scale. If the spring return position is the closed position, rotate the indicator until it points to zero on the scale. A detent can be felt at both stops; the detents maintain the indicator position.

The ML6275D and ML6275F models provide a timeout function that removes power from the actuator submotor if the actuator remains in one position (closed, open, or any intermediate position) for longer than a nominal 100 seconds. This time-out function helps to extend actuator life.

IMPORTANT

The ML6275 was designed to provide 7500 spring returns. Therefore, the actuator can be unpowered daily for night shutdown control. However, rapidly cycling the actuator by removing control voltage will lead to premature spring failure.

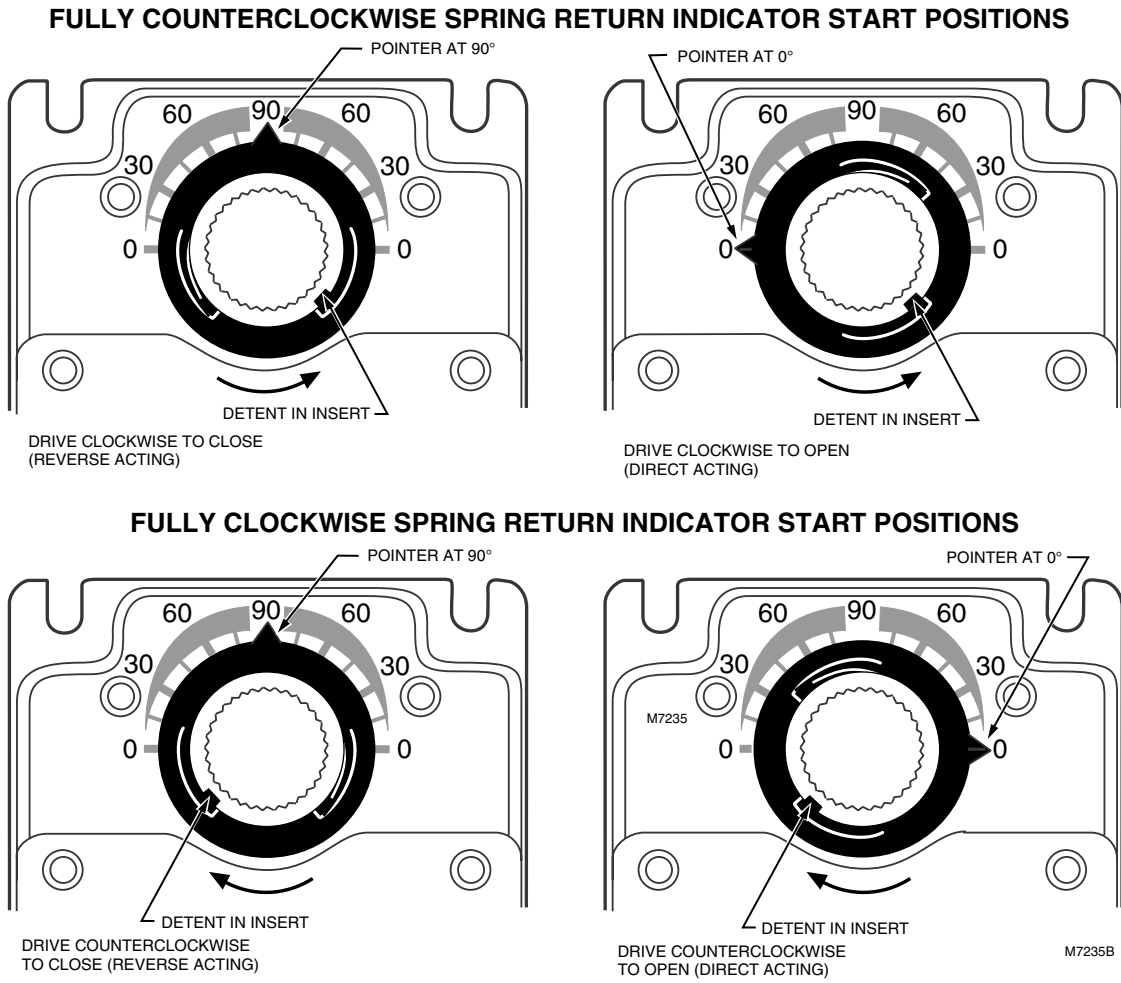


Fig. 12. ML6275 indicator start positions.



CHECKOUT



The ML6275 Direct Coupled Actuator can be checked out either directly or by using a controller.

Important

When power is interrupted, the actuator returns to the normal starting position using the spring mechanism. When power is restored, the controller input will not operate the actuator until the spring is fully wound and locked. The spring winding process takes approximately 100 seconds, depending on the number of degrees of spring return remaining at power interrupt (eg, 10° of spring return remaining takes ten seconds). (If the actuator is not in the closed position, it will run to the closed position while the spring is winding.) Once the spring is locked in its fully wound position, the actuator responds to inputs across the red-to-blue or red-to-yellow leadwires.

Direct Checkout

1. Mount the actuator for the required application (either cw  or ccw  rotation to open the damper).
2. Check the damper position and make sure that 24 Vac is present on the red and black leadwires.
3. Make sure the actuator spring is fully wound and locked by applying power for at least 100 seconds.

4. Connect 24 Vac to the appropriate leadwires (red to blue or red to yellow) to move the damper to the opposite position. The ML6275 should drive the damper.
5. If the actuator does not run, verify that the actuator is properly installed for either cw  or ccw  rotation.
6. If the actuator operates in the opposite direction than desired, reverse the blue and yellow leadwires.
7. If the actuator is correctly installed and still does not run, replace the actuator.

Controller Checkout

1. Adjust the setpoint of the controller to call for cooling. Observe the actuator.
2. If the damper is closed, it should begin to open.
3. If the damper remains closed, move the setpoint of the controller farther below the room temperature.
4. If the damper still does not move, check for the presence of 24 Vac in the input.
5. Make sure the actuator spring is fully wound by applying power for at least 100 seconds.
6. If 24 Vac is present and the actuator does not operate, reverse the controller leadwires to determine if the device was miswired.
7. If the wiring is correct and 24 Vac is present on the input terminals but the actuator does not run, replace the actuator.

Honeywell

Home and Building Control

Honeywell Inc.
1985 Douglas Drive North
Golden Valley, MN 55422

Home and Building Control

Honeywell Limited-Honeywell Limitée
740 Ellesmere Road
Scarborough, Ontario
M1P 2V9

Helping You Control Your World

QUALITY IS KEY

Free Manuals Download Website

<http://myh66.com>

<http://usermanuals.us>

<http://www.somanuals.com>

<http://www.4manuals.cc>

<http://www.manual-lib.com>

<http://www.404manual.com>

<http://www.luxmanual.com>

<http://aubethermostatmanual.com>

Golf course search by state

<http://golfingnear.com>

Email search by domain

<http://emailbydomain.com>

Auto manuals search

<http://auto.somanuals.com>

TV manuals search

<http://tv.somanuals.com>