

Honeywell

F112A,C; F113A,C Portable Air Cleaners

OWNER'S GUIDE



The Honeywell Trademark is used under license from Honeywell Intellectual Properties, Inc. by Air-Pure Systems. Honeywell International Inc. makes no representations or warranties with respect to this product

69-1506-4

HOW YOUR PORTABLE AIR CLEANER WORKS

Your air cleaner is effective at removing airborne particulates like dust mite allergens, pollen, mold spores, bacteria, dust, soot, and tobacco smoke particles. It is also effective at reducing annoying odors like tobacco smoke, chemical odors, and odors from cooking, when equipped with a CPZ canister.

You can choose models with these filters (all have a carbon prefilter that helps reduce odors and extend the HEPA filter life):

- a 99.97% High-Efficiency Particulate Air (HEPA) filter that provides high-efficiency removal of particulates.
- a HEPA filter that removes particulates and a CPZ™ canister that removes volatile organic compounds (VOC) and odor. This high filtration and adsorption efficiency enables the air cleaner to remove many of the troublesome particles, gases and odors from the indoor air.

Your unit is one of these models:

F112A,C: 150 cfm, 120V, 60 Hz, 1.85A. Both models are two-speed. Model A has a HEPA filter and model C has a HEPA filter with a CPZ™ canister.

F113A,C: 300 cfm, 120V, 60 Hz, 1.5A. Both models are three-speed. Model A has a HEPA filter, model C has a HEPA filter with a CPZ™ canister.

OPERATING YOUR AIR CLEANER

IMPORTANT

If you have purchased an F112C or an F113C model, you will need to open the air cleaner and remove the plastic packaging on the CPZ filter. To reassemble the unit, follow the instructions in the Changing Your Filters section.

Your air cleaner has a power cord that plugs into a 120 Vac electrical outlet. Before plugging it in and operating your air cleaner, carefully read all instructions:

WARNING

Electrical Shock Hazard.

Can cause personal injury or equipment damage.

Do not use air cleaner with any solid-state speed control device.

Keep foreign objects from blocking the air outlets or intakes, or from entering the ventilation or exhaust opening.

1. Be sure the unit is fully assembled and in an upright position before plugging it in.
2. Do not use the air cleaner outdoors.
3. Place the air cleaner where the cord and unit are not obstacles to employee and customer traffic flow.
4. Plug the air cleaner polarized plug (one blade is wider than the other) into the polarized outlet as designed. Do not attempt to force the plug into the outlet; reverse the plug and then if it does not fit into the outlet, contact a qualified electrician.
5. If you must use an extension cord, use a heavy duty cord with adequate line size.
6. Do not run the power cord under carpets or rugs.
7. Keep the cord away from hot surfaces.
8. Do not use the air cleaner where combustible gases or vapors are present.
9. Do not expose the air cleaner to rain or operate near water, in a bathroom, or other damp location.
10. Do not sit, stand or place heavy objects on the air cleaner.
11. Always unplug when not in use and before servicing. To disconnect the air cleaner, first turn the speed control to the Off position before removing the plug from the outlet.
12. Do not use the air cleaner with a damaged cord or plug or if the unit was dropped, damaged or is malfunctioning.

MAINTAINING YOUR AIR CLEANER



CAUTION

Filter Washing Hazard.

Washing can damage prefilter, HEPA filter and CPZ canister.

Do not wash filters.

Replace filters according to recommended schedule.

Determining When to Replace Your Filters

With proper maintenance, your air cleaner is designed to provide years of high-efficiency air cleaning. Your air cleaner contains up to three filters, depending on model: a carbon prefilter, a HEPA filter and a CPZ canister on some models.

Replacing Your Prefilter Every Three Months (Quarterly)

The carbon prefilter captures large airborne particles and helps reduce odors.

NOTE: Do not operate the air cleaner without the carbon prefilter.

IMPORTANT:

Replace the prefilter every three months. If the unit is used in a smoking or other persisting unpleasant odor environment, consider purchasing a model with a CPZ canister (F112C or F113C). See Table 1 to select filter part numbers.

Replacing Your Primary HEPA Filter and CPZ Canister

The primary HEPA filter and CPZ canister life expectancy depends on the concentration of contaminants in the environment where the air cleaner is installed. If there are sources of large amounts of particle generation (such as woodworking or heavy smoking), the useful life of the prefilter and HEPA filter and CPZ canister may be reduced.

It is recommended changing the HEPA filter and CPZ canister based on operating conditions—every three years for light usage, two years for normal usage and one year for heavy usage. See Table 1 to select filter part numbers.

Whenever the combined air resistance of the carbon filter and the HEPA filter and CPZ canister becomes excessive due to the amount of contaminants captured, the air cleaner begins to audibly pulsate. Instead of a steady stream of air at the outlets, rapid puffs of air can be felt.

When this occurs:

- The carbon prefilter may be clogged and needs replacing.
- The HEPA filter and CPZ canister need replacing if the unit continues to pulsate after replacing the carbon prefilter.

IMPORTANT

Replace the HEPA filter and CPZ canister every one to three years, depending on the environment where the air cleaner is operating.

Table 1. Selecting Your Replacement Filters.

Air Cleaner Model No.	Prefilter Part No.	HEPA Filter Part No.	CPZ Canister Part No.
F112A6003	38002	21500	N/A
F112C6001	38002	28720	32000232
F113A6001	38002	24000	N/A
F113C6009	38002	28600	32000231

Changing Your Filters



CAUTION

Electrical Shock Hazard.

Can cause personal injury or equipment damage.

Disconnect power before servicing equipment.

NOTE: No tools are required for disassembly or assembly.

1. Disassemble the unit as follows (see Fig.1):
 - a. Loosen the carrying handle by turning it counterclockwise.
 - b. Lift the grille cover from the unit.
 - c. Lift the HEPA filter with carbon prefilter from the base.
 - d. Remove the CPZ canister, if applicable.
 - e. Remove the two velcro strips from the top and bottom of the prefilter and remove it from the HEPA filter.
 - f. Wrap the new prefilter around the HEPA filter and replace the top and bottom velcro strips.
2. Reassemble the unit as follows:
 - a. Place the assembled HEPA filter with carbon prefilter on the base.
 - b. Replace the CPZ canister, if applicable.
 - c. Replace the grille cover.
 - d. Reattach the carrying handle and turn it clockwise until securely tight. Be sure not to over-tighten.

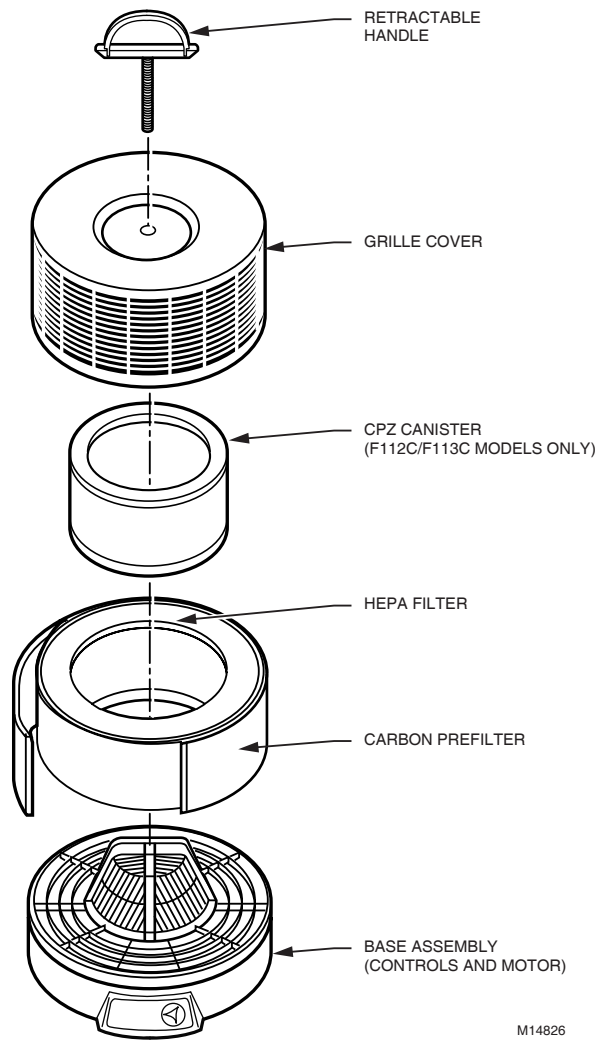


Fig. 1. Air Cleaner components.

Determining What to Do When Your Air Cleaner Does Not Operate

- Check to make sure the power cord is correctly connected in the outlet.
- Test the outlet with another appliance or lamp.
- Check the fuse or circuit breaker; the circuit may be overloaded if other appliances are also in use.
- Check to determine if the thermal overload protection device on the air cleaner motor has engaged to turn off the air cleaner. If it has, turn the air cleaner motor control to Off and wait 30 to 45 minutes before plugging it in and turning to On.

IMPORTANT

Do not attempt to repair the unit yourself.

- If none of the above procedures restores operation, consult your distributor or local authorized Honeywell Commercial Air Cleaner Distributor where the unit was purchased for further information.

FIVE-YEAR LIMITED WARRANTY

Air-Pure Systems warrants its air cleaner products to be free from defects in workmanship or materials under normal use and service, for a period of five (5) years from the date of purchase by the original end-user. If at anytime during the warranty period the product is defective or malfunctions, Air-Pure Systems, through the distributor or dealer, from which the product was purchased, or through an authorized warranty repair station, shall at Air-Pure Systems option, replace or repair the defective product or component.

This warranty does not cover removal or installation costs. This warranty shall not apply if it is shown that the defect or malfunction was caused by damage which occurred during handling or shipment, improper electrical connections, improper use of the product or abuse.

Air-Pure Systems sole responsibility shall be to repair or replace the product within the terms stated above. **AIR-PURE SYSTEMS SHALL NOT BE LIABLE FOR ANY LOSS OR DAMAGE OF ANY KIND, INCLUDING ANY INCIDENTAL OR CONSEQUENTIAL DAMAGES RESULTING, DIRECTLY OR INDIRECTLY, FROM ANY BREACH OF WARRANTY, EXPRESS OR IMPLIED, OR ANY OTHER FAILURE OF THIS PRODUCT.** (Some states do not allow the exclusion or limitation of incidental or consequential damages, so this limitation may not apply to you.) **THE WARRANTIES SET FORTH HEREIN ARE EXCLUSIVE AND AIR-PURE SYSTEMS EXPRESSLY DISCLAIMS ALL OTHER WARRANTIES, WHETHER WRITTEN OR ORAL, IMPLIED OR STATUTORY, INCLUDING BUT NOT LIMITED TO ANY WARRANTIES OF MERCHANTABILITY, WORKMANSHIP, OR FITNESS FOR A PARTICULAR USE.**

This warranty gives you specific legal rights and you may have other rights which vary from state to state.

How to make a warranty claim or have questions answered:

Should you have a warranty claim or questions about the warranty policy, contact the distributor or dealer from which you purchased the product or the authorized warranty repair stations nearest your location.

NOTE: Do not return any products or parts to the factory without a factory issued "Returned Warranty Goods Label" issued by Air-Pure Systems.

In the event you or other persons, have any questions concerning the use and care of this product or this warranty please call or write the factory.

Air-Pure Systems
16873 Fish Point Rd. SE
Prior Lake, MN 55372-1714
Phone: (800) 998-1919
Fax: (800) 221-3248

Air-Pure Systems
16873 Fish Point Rd. SE
Prior Lake, MN 55372-1714
Phone: (800) 998-1919
Fax: (800) 221-3248

Free Manuals Download Website

<http://myh66.com>

<http://usermanuals.us>

<http://www.somanuals.com>

<http://www.4manuals.cc>

<http://www.manual-lib.com>

<http://www.404manual.com>

<http://www.luxmanual.com>

<http://aubethermostatmanual.com>

Golf course search by state

<http://golfingnear.com>

Email search by domain

<http://emailbydomain.com>

Auto manuals search

<http://auto.somanuals.com>

TV manuals search

<http://tv.somanuals.com>