

F100 Media Air Cleaner

PROFESSIONAL INSTALLATION GUIDE
GUIDE D'INSTALLATION PROFESSIONNELLE

GETTING
STARTED

MOUNTING

SPECIFICATIONS



INCLUDED IN THIS BOX



Tools needed to install Enhanced Air Cleaner

- ◆ Standard screwdriver
- ◆ Phillips screwdriver
- ◆ Metal cutter
- ◆ Drill
- ◆ Duct Sealant

Replacement Air Filters

Filter Size (in.)	Part Number
12.5 x 20	FC100A1052
16 x 25	FC100A1029
16 x 20	FC100A1003
20 x 25	FC100A1037
20 x 20	FC100A1011



68-0239EF-05

F100 Media Air Cleaner

What to Expect From Your Honeywell

Media Air Cleaner	2
When Installing this Product.....	2
How it Works.....	2
Application Considerations	3
Models	3
Air Conditioning	3
Humidifiers	3
UV Lights	3
Transitions	4
Turning Vanes	4
Sheetmetal	4
Offsets	4
Important Installation Requirements	5
Personal Safety	5
Before Mounting	5
If Replacing an Old Air Cleaner	5

Choosing a Mounting Position	6
Mounting the F100 Media Air Cleaner	9
Checkout.....	10
Maintenance	10
Specifications	10
FC100A Efficiency	10
Filter Media	10
Capacity And Pressure Drop	11
Temperature Rating	11
Mounting	11
Dimensions.....	11
Approvals	11
Upgrade Path	11
Replacement Media	11
Replacement Filter Table.....	11

GETTING
STARTED

MOUNTING

SPECIFICATIONS



NEED HELP? For assistance with this product please visit <http://yourhome.honeywell.com> or call Honeywell Customer Care toll-free at 1-800-468-1502.

Read and save these instructions.

© U.S. Registered Trademark. Patents pending. Copyright © 2011 Honeywell International Inc. All rights reserved.

What to Expect From Your Honeywell Media Air Cleaner

Congratulations for selecting the Honeywell Media Air Cleaner for your home comfort system! The F100 Media Air Cleaner captures and removes a significant amount of the air-borne particles from the air circulated through the high-efficiency pleated media filter. The Media Air Cleaner easily mounts in any position within the return air duct of any gas, oil, and electric forced warm air furnaces and to compressor cooling up to 5 tons. Additionally, it requires no electrical connections or maintenance beyond periodic media filter replacement.

When Installing this Product...

1. Read these instructions carefully. Failure to follow them could damage the product or cause a hazardous condition.
2. Check the rating given in the instructions and on the product to make sure the product is suitable for your application.
3. Installer must be a trained, experienced service technician.
4. After installation is complete, check out product operation as provided in these instructions.

How it Works

The filter in your F100 Media Air Cleaner is made up of a web of fibers. As air passes through the Media Air Cleaner, particulates such as dust, pollen, dander, mold, and bacteria collide with the fibers in the filter and become trapped. Meanwhile, the clean air is allowed to continue through your heating and cooling system and into your home. The particle removal efficiency of the F100 Media Air Cleaner can be found in the Specification section of this manual.

.....

Application Considerations

The Honeywell F100 Media Air Cleaner is designed to work with gas, oil, and electric forced warm air furnaces and with compressor cooling. It can also be used with heat pumps if the filter is changed regularly to prevent excessive pressure drop. The F100 Media Air Cleaner is not recommended for applications where pressure drop may be critical.

Models

F100F Media Air Cleaner includes cabinet, access door and pleated media filter. F100B Media Air Cleaner includes cabinet and access door.



Air Conditioning

Mount the media air cleaner upstream of the evaporator coil in a cooling system. The filter will help to keep the coil clean and reduce maintenance.

Humidifiers

The media air cleaner is compatible with humidifiers. Avoid applications where water mist will reach the media. If an atomizing humidifier is used, the filter media will require replacement more often because of minerals in the water.

UV Lights

Germicidal UV lights can cause degradation of the media filter. The UV light should be located out of line of sight or a minimum of 3 feet from the filter. Otherwise the filter may need to be replaced more frequently.

Transitions

For most efficient air cleaning, spread airflow evenly across the face of the media. If the duct is a different size than the media air filter cabinet, gradual transitions are required. Follow these guidelines when fabricating:

- Use gradual transitions to reduce air turbulence and increase efficiency.
- Use no more than 20 degrees (about 4 in. per running ft. (100 mm per 300 linear mm)) of expansion on each side of a transition fitting.

Turning Vanes

If the media air cleaner is installed next to an elbow or angle fitting, add turning vanes inside the angle to distribute airflow more evenly across the face of the media. See middle figure.

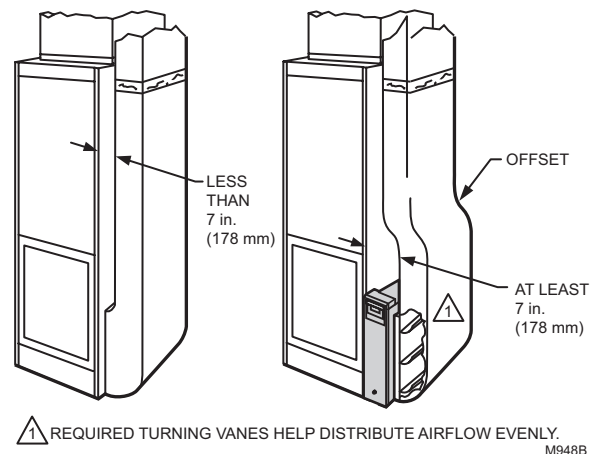
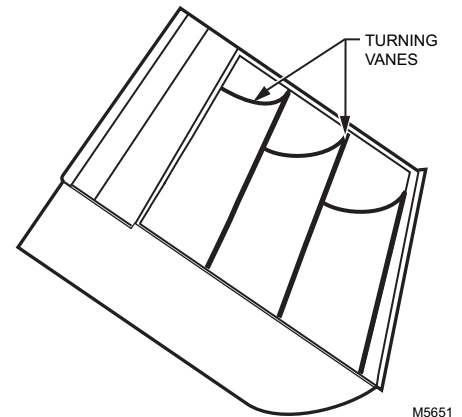
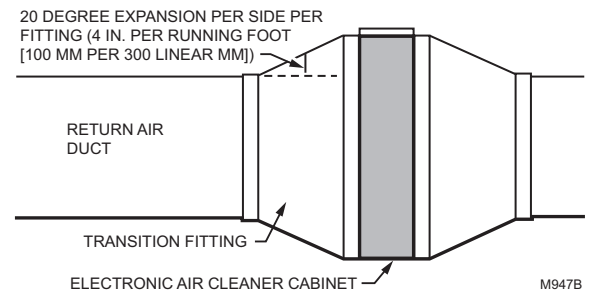
Sheetmetal

The media air cleaner is adaptable to all new or existing forced air heating and cooling systems used in residential applications. Transitions or turning vanes may be required in some applications for effective media air cleaner operation.

Offsets

If the duct connection to the furnace in a side installation allows less than 7 in. (178 mm) for mounting media air cleaner cabinet, attach an offset to the elbow. See bottom figure at right.

DUCT SIZE CHANGED GRADUALLY TO PREVENT TURBULENCE.



Important Installation Requirements

Failure to comply with these requirements will result in voided warranty, improper installation, and service callbacks.

Personal Safety

- Wear safety glasses while installing the unit.
- Do not cut into any air conditioning or electrical line.
- Follow professional safety standards and all local codes for plumbing, electrical, and mechanical considerations.

Before Mounting

- Using the figure on the cover and the lists on the inside cover, make sure that you have all the components for your Honeywell Media Air Cleaner and the tools to install it.
- Ensure airflow direction through the Honeywell Media Air Cleaner matches the arrows on the filter cartridge. The arrows should point in the direction of the airflow.
- Choose a location that is readily accessible for checking and replacing the filter. Allow at least 26 in. (660 mm) clearance in front of the unit for removal of the cartridge.
- Install the media air filter where the temperature will not exceed the ratings in the Specifications.
- Do not mount in the supply air duct.

NOTE: Generally, the best location is in the return air duct next to the blower compartment so the media air cleaner can help to keep the blower motor and evaporator coils clean.

If Replacing an Old Air Cleaner

If the Honeywell Media Air Cleaner is not identical in size and shape to the existing air cleaner, before performing a retrofit installation, you might need to add duct transitions to ensure a smooth air flow.

For optimum system performance, replace the filter every six months (before heating season and before cooling season). Adjust the schedule to your needs, but replace the filter at least once per year.

Choosing a Mounting Position

The Media Air Cleaner mounts in any position within the return air duct, usually next to the furnace blower compartment, but the arrow on the cartridge must point in the same direction as the airflow. See Figs. 3-10 for proper location of the media air cleaner for a variety of furnace installations.

NOTE: The media air cleaner cabinet is sturdy enough to easily support the weight of the furnace and evaporator coil.

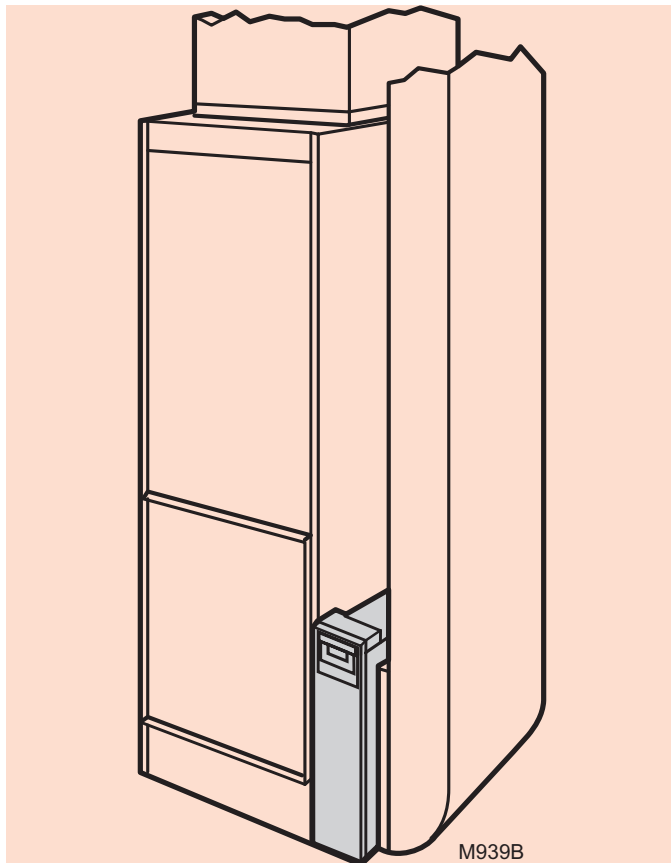


Fig. 1. Highboy furnace with side installation. Media air filter is mounted vertically where return enters side inlet of furnace.

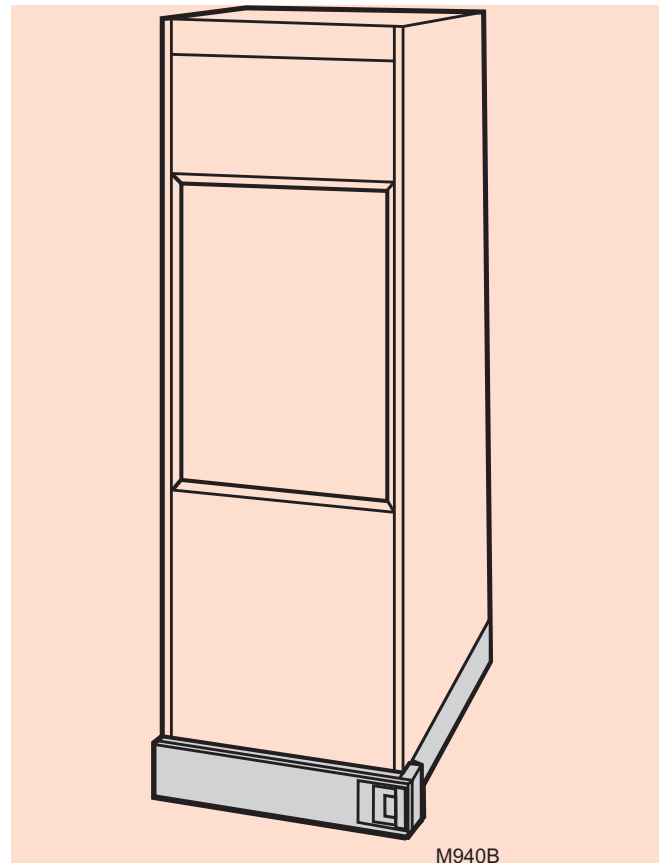


Fig 2. Highboy furnace, with installation beneath furnace. Media air cleaner is mounted horizontally where return enters from below.

Before beginning Mounting:

I have chosen an installation location that meets the requirements on pages 3 through 5.

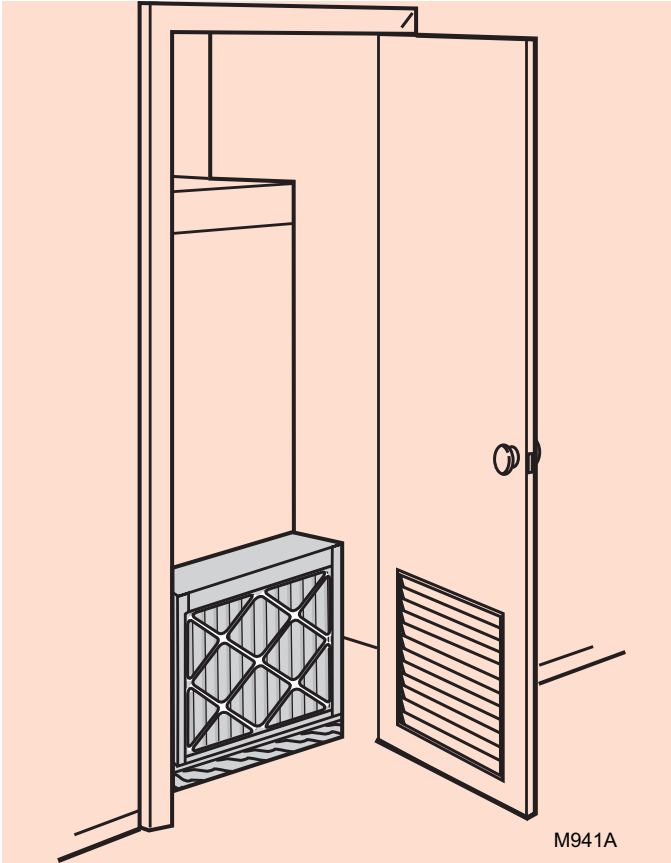


Fig. 3. Highboy furnace, with closet installation. Media air cleaner is mounted vertically on furnace between furnace and louvered return air opening in closet door.

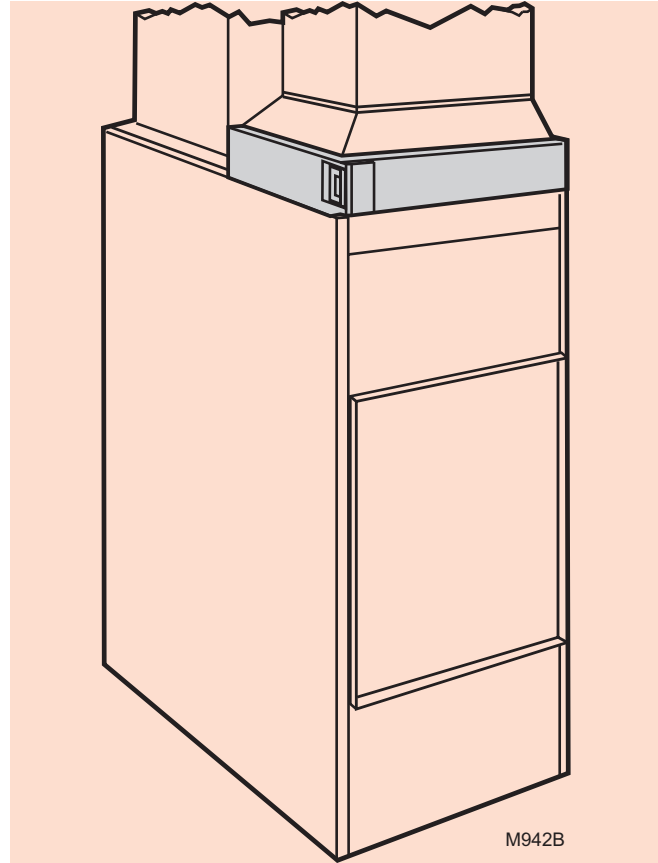


Fig. 4. Lowboy furnace, with media air cleaner mounted horizontally in return plenum just above furnace and opposite heating plenum.

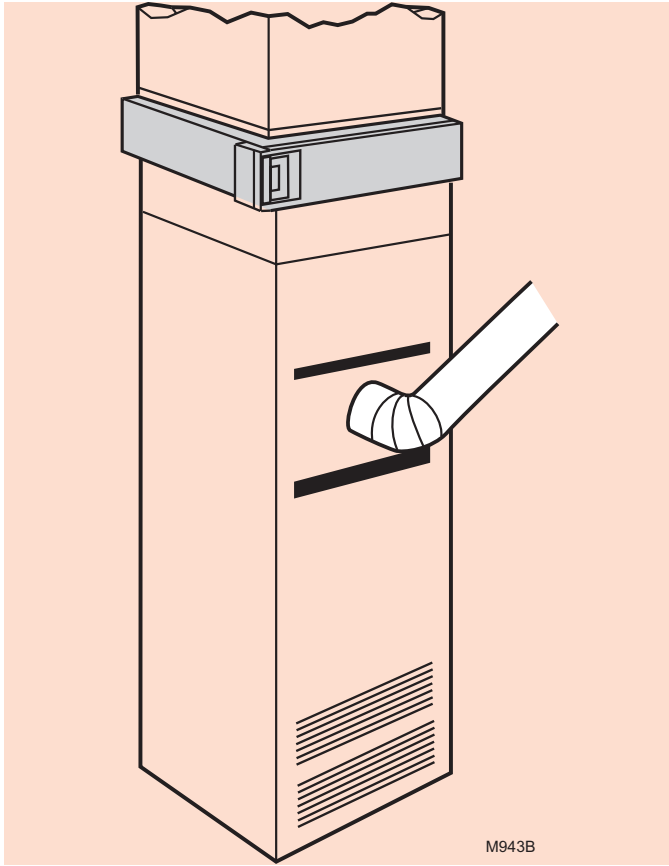


Fig. 5. Counterflow furnace, with media air cleaner mounted horizontally in return duct or plenum just above furnace.

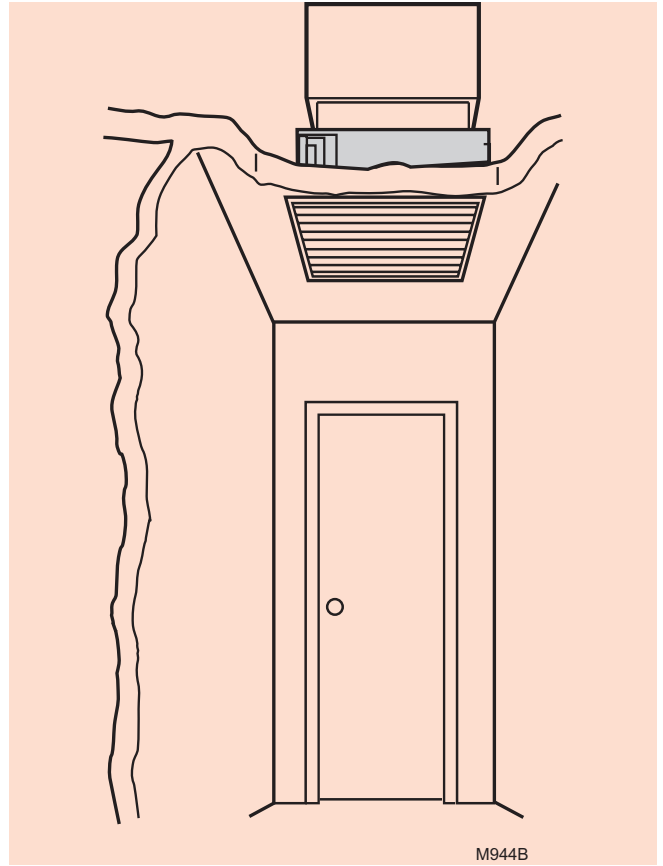


Fig. 6. Central fan installation, with media air cleaner mounted horizontally in central return duct.

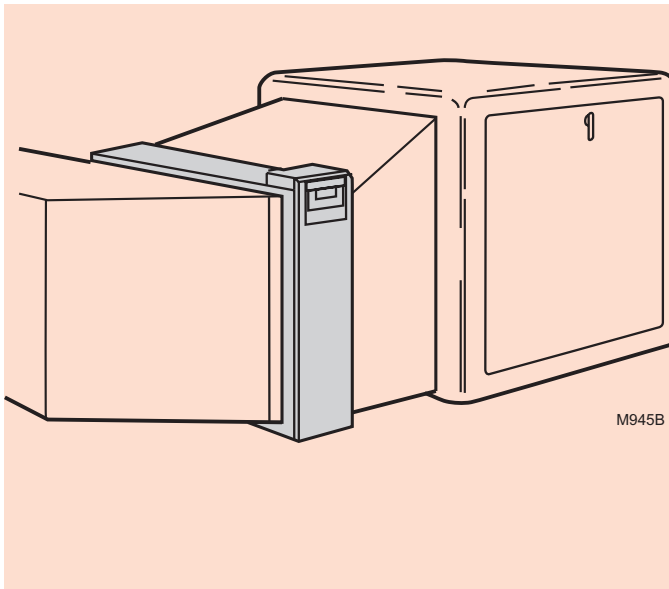


Fig. 7. Horizontal furnace, with media air filter mounted vertically in return duct near furnace.

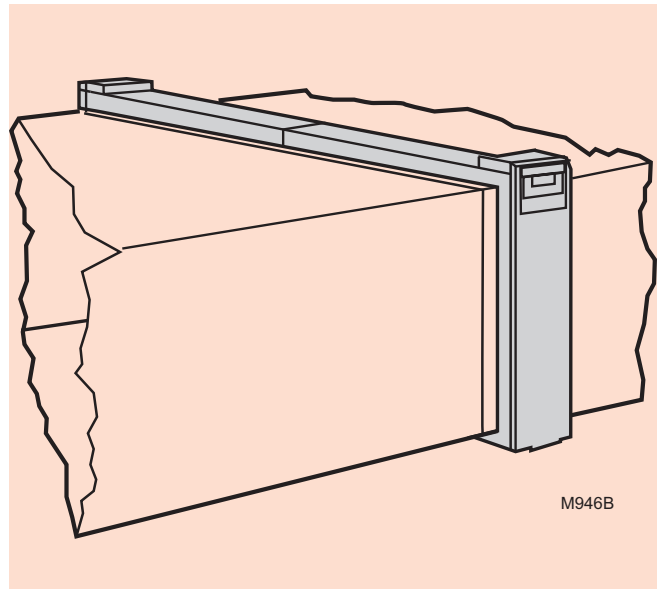


Fig. 8. Two or more media air cleaners used in a high capacity system.

Mounting the F100 Media Air Cleaner

The following procedure describes a typical side installation on an existing highboy furnace (Fig. 1). Alternate procedures are noted as appropriate. Other changes in installation procedures may be necessary to complete your installation.

NOTE: Before starting the installation, remove and discard the existing furnace filter (if used). Thoroughly clean the blower compartment. If possible, power vacuum the ductwork to remove accumulated dust in an occupied home or remove construction dirt in a new home. The media air cleaner cannot remove dirt that has settled in the blower compartment and distribution ducts.

STEP ONE: Review the Installation Plan

Temporarily place the cabinet on the floor, oriented as it will be when installed. Insert and remove the cartridge to make sure the plan allows adequate clearance for easy removal and replacement of the cartridge.

STEP TWO: Fasten the Cabinet to the Furnace

- a. Align the cabinet with the return air opening.
- b. Place blocks under the cabinet, as necessary, to make sure the unit sits securely.
- c. Create an opening in the furnace to match the cabinet opening.
- d. Attach the cabinet securely to the furnace. Attach the unit directly or fit a starting collar in the furnace opening. Either drill holes and fasten with sheetmetal screws or rivets, or use slip joints. If you are drilling holes, use a locking pliers to help hold the unit in place during drilling.

STEP THREE: Install Turning Vanes

Install turning vanes to help distribute air equally over the full surface of the upstream side of the media. Install them whenever an abrupt 90 degree elbow is installed directly against the media air cleaner cabinet.

STEP FOUR: Fasten Cabinet to Ductwork

Fasten side of cabinet to the ductwork using sheet-metal screws, rivets, or slip joints, as appropriate.

STEP FIVE: Connect Ductwork

- a. Connect the vertical duct section to the elbow. If the vertical drop of the duct is less than 7 in. (178 mm) from the side of the furnace, shorten the horizontal trunk or attach an offset fitting to the elbow.
- b. When ductwork is properly aligned, connect the vertical duct to the horizontal trunk.

STEP SIX: Seal Joints

Seal all joints in the return air system between the media air filter and the furnace to prevent dust from entering the clean airstream.

STEP SEVEN: Install Filter Cartridge

Slide the filter cartridge into the cabinet, making sure the arrow on the cartridge points in the direction of air flow. Replace access door. Insert the tab on the bottom of the door into the slot in the cabinet. Swing the door closed and press it into place.

Checkout

Visually check the installation and make sure that:

- Airflow is in the direction of the arrow on the media air filter cartridge.
- Turning vanes and transitions, if used, are properly installed.
- Joints in sheetmetal between media air filter and furnace are sealed.
- All sheetmetal connections are complete.
- Original furnace filter has been removed and blower compartment is cleaned.

When you have verified that checkout has been completed:

- Replace any access doors removed during the Installation or Checkout.
- Run the furnace or cooling system through one complete cycle to make sure the system operates as desired.

Maintenance

The media filter must be replaced when pressure drop across the media filter reaches 0.5 in. w.c. (0.1 kPa), or at least annually. If the media air cleaner is installed downstream from an atomizing humidifier or if the installation includes both heating and cooling, more frequent replacement may be necessary. Clogged media must be replaced promptly to avoid restricting airflow and reducing efficiency of the heating/cooling system. Record the replacement date in the space provided on the replacement media filter.

Specifications

The specifications in this publication do not include normal manufacturing tolerances; therefore, an individual unit may not exactly match the listed specifications. This product is tested and calibrated under closely controlled conditions, and some minor differences in performance can be expected if those conditions are changed.

FC100A Efficiency

Efficiency Ratings: Based on American Society of Heating, Refrigerating and Air-Conditioning Engineers Standard 52.2-1999. Efficiency ranges are defined for small particles, E1 = 0.3 to 1.0 micron; medium particles E2 = 1.0 to 3.0 microns; and large particles, E3 = 3.0 to 10.0 microns.

Initial Efficiency: E1 = 32% at 492 FPM

E2 = 72% at 492 FPM

E3 = 96% at 492 FPM

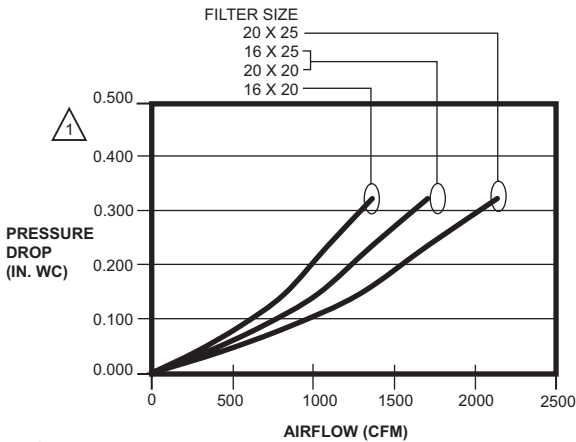
Minimum Efficiency Reporting Valve (MERV): 10 at 492 fpm.

Filter Media

Pleated for greater media capacity.

Capacity And Pressure Drop

Initial Pressure Drop: 0.23 in. wc at 492 fpm.



WHEN FIRST INSTALLED. PRESSURE DROP INCREASES AS FILTER BECOMES LOADED. REPLACE FILTER WHEN PRESSURE DROP REACHES 0.5 IN. WC. (0.1 kPa). M32820

Temperature Rating

-40° to +140°F (-40° to +60°C)

Mounting

Mounts in any position in the return air duct, usually next to the furnace blower compartment. Cabinet is sturdy enough to support weight of a residential furnace and evaporator coil.

Approvals

Underwriters Laboratories, Inc.: Listed to UL 900, Class 2.

Upgrade Path

The F100 uses the same cabinet as the F300 Electronic Air Cleaner. Upgrade may require installing the cell key, electronic cells, protective screens and installation and wiring of the power box, depending on model. (Note that 25 x 20 in. and 25 x 22 in. models cannot be upgraded to an electronic air cleaner.)

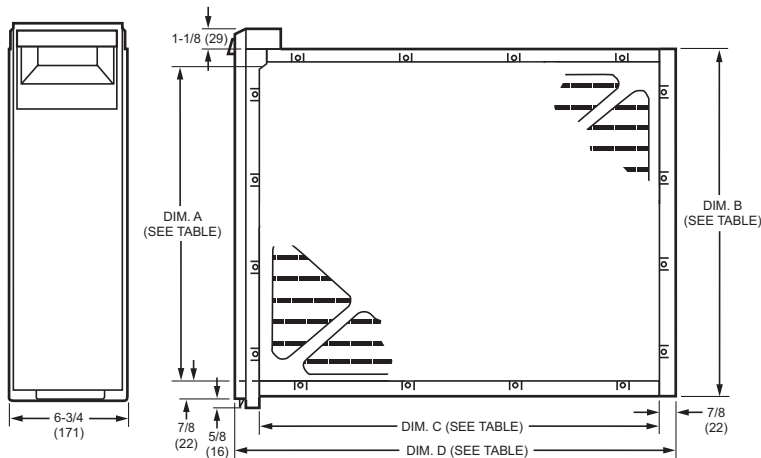
Replacement Media

For optimum system performance, replace the filter every six months (before heating season and before cooling season). Adjust the schedule to your needs, but replace the filter at least annually.

Replacement Filter Table

Filter Size (in.)	Part Number
20 x 12-1/2 x 4-3/8	FC100A1052
16 x 24-7/8 x 4-3/8	FC100A1029
16 x 19-3/4 x 4-3/8	FC100A1003
20 x 24-7/8 x 4-3/8	FC100A1037
20 x 19-3/4 x 4-3/8	FC100A1011

Dimensions



F100 SIZE		DIM. A		DIM. B		DIM. C		DIM. D	
IN.	MM	IN.	MM	IN.	MM	IN.	MM	IN.	MM
16 X 25	406 X 635	14 7/16	367	16 3/16	411	23 1/4	591	25 1/2	648
16 X 20	406 X 508	14 7/16	367	16 3/16	411	18 1/4	457	20 1/2	521
20 X 25	508 X 635	18 7/16	468	20 3/16	513	23 1/4	591	25 1/2	648
20 X 20	508 X 508	18 7/16	468	20 3/16	513	18 1/4	457	20 1/2	521
25 X 20	635 X 508	23 5/16	592	25 1/8	638	18 3/8	467	20 5/8	524
25 X 22	635 X 559	23 5/16	592	25 1/8	638	20 1/4	514	22 1/2	572

M14710E

Automation and Control Solutions

Honeywell International Inc.

1985 Douglas Drive North

Golden Valley, MN 55422

<http://yourhome.honeywell.com>

© U.S. Registered Trademark.
© 2011 Honeywell International Inc.
68-0239EF—05 M.S. 07-11
Printed in U.S.A.

Honeywell

Épurateur d'air à fibres F100

PROFESSIONAL INSTALLATION GUIDE
GUIDE D'INSTALLATION PROFESSIONNELLE

POUR
COMMENCER

MONTAGE

CARACTÉRISTIQUES
TECHNIQUES



INCLUS DANS LA BOÎTE



Outils requis pour installer l'épurateur d'air amélioré

- ▶ Tournevis normal
- ▶ Tournevis cruciforme
- ▶ Cisailles à tôle
- ▶ Perceuse
- ▶ Produit d'étanchéité de gaine

Filtres à air de rechange

Dimension du filtre (po)	Référence de pièce
12,5 x 20	FC100A1052
16 x 25	FC100A1029
16 x 20	FC100A1003
20 x 25	FC100A1037
20 x 20	FC100A1011



68-0239EF-05

Épurateur d'air à fibres F100

À propos de l'épurateur d'air à fibres		Sélection de la position de montage	6
F100 de Honeywell	2	Montage de l'épurateur d'air à fibres F100	9
Lors de l'installation du produit.....	2	Vérification	10
Fonctionnement.....	2	Entretien	10
Considérations relatives à l'application.....	3	Caractéristiques techniques	10
Modèles	3	Efficacité du FC100A.....	10
Climatisation	3	Filtre à fibres.....	10
Humidificateurs.....	3	Capacité et chute de pression.....	11
Lampes UV.....	3	Température nominale.....	11
Transitions	4	Montage	11
Aubes directrices.....	4	Dimensions.....	11
Tôle	4	Homologations	11
Déviations.....	4	Remplacement du filtre	11
Exigences d'installation importantes.....	5	Tableau des filtres de rechange	11
Sécurité personnelle.....	5		
Avant le montage	5		
Pour le remplacement d'un ancien épurateur d'air.....	5		

POUR
COMMENCER

MONTAGE

CARACTÉRISTIQUES
TECHNIQUES



BESOIN D'AIDE? Pour obtenir de l'aide sur ce produit, prière de visiter le site

<http://yourhome.honeywell.com>

ou d'appeler le service d'assistance à la clientèle de Honeywell au 1-800-468-1502.

Lire et conserver ces instructions.

© Marque de commerce déposée américaine. Brevets en instance. Copyright © 2011 Honeywell International Inc. Tous droits réservés.

Épurateur d'air à fibres F100 68-0239EF—05

À propos de l'épurateur d'air à fibres de Honeywell

Félicitations pour votre choix de l'épurateur d'air à fibres Honeywell pour votre système de confort d'intérieur! L'épurateur d'air à fibres F100 capture et retire une quantité considérable de particules contenues dans l'air circulant par le filtre à fibres à plis haute efficacité. L'épurateur d'air à fibres se monte facilement dans toutes les positions dans la gaine d'air de retour de tout appareil de chauffage à gaz, mazout, électrique et air pulsé et les systèmes de refroidissement par compresseur jusqu'à 5 tonnes. En outre, il ne nécessite aucun branchement électrique ni entretien excepté le remplacement périodique du filtre à fibres.

Lors de l'installation du produit...

1. Lire attentivement ces instructions. Le non-respect des instructions peut endommager le produit ou provoquer une situation dangereuse.
2. Vérifier les caractéristiques nominales indiquées dans les instructions et sur le produit pour s'assurer que le produit correspond bien à l'application prévue.
3. L'installateur doit être un technicien expérimenté ayant reçu la formation adéquate.
4. Une fois l'installation terminée, vérifier que le produit fonctionne comme indiqué dans ces instructions.

Fonctionnement

Le filtre de l'épurateur d'air à fibres F100 est constitué d'un réseau de fibres. Lorsque l'air passe par l'épurateur d'air à fibres, les particules comme la poussière, le pollen, les squames animales, les moisissures et les bactéries entrent en collision avec les fibres du filtre et sont piégées. L'air propre filtré est acheminé dans le système de chauffage et de refroidissement et aère la maison. L'efficacité du nettoyage des particules de l'épurateur d'air à fibres F100 est spécifiée dans la section Caractéristiques techniques de ce manuel.

Considérations relatives à l'application

L'épurateur d'air à fibres F100 de Honeywell est conçu pour fonctionner avec les appareils de chauffage à gaz, mazout, électrique et air pulsé et les systèmes de refroidissement par compresseur. Il peut aussi être utilisé avec des thermopompes uniquement si le filtre est remplacé régulièrement pour éviter les chutes de pression excessives. L'épurateur d'air à fibres F100 n'est pas recommandé dans les applications pour lesquelles une chute de pression peut avoir de graves conséquences.

Modèles

L'épurateur d'air à fibres F100F inclut une armoire, une porte d'accès et un filtre à fibres à plis. L'épurateur d'air à fibres F100B inclut une armoire et une porte d'accès.



Climatisation

Monter l'épurateur d'air à fibres en amont du serpentin d'évaporation du système de refroidissement. Le filtre permet de maintenir la propreté du serpentin et de réduire la maintenance.

Humidificateurs

L'épurateur d'air à fibres est compatible avec les humidificateurs. Éviter les applications dans lesquelles de la brume d'eau peut atteindre le filtre. Si un humidificateur à pulvérisation est utilisé, le filtre à fibres doit être remplacé plus souvent en raison des minéraux contenus dans l'eau.

Lampes UV

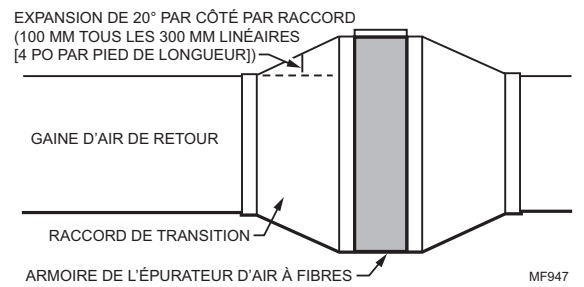
Les lampes UV germicides peuvent endommager le filtre à fibres. Elles doivent être situées hors de l'axe directe ou à un minimum de 3 pieds du filtre. Dans le cas contraire, le filtre doit être remplacé plus fréquemment.

Transitions

Pour un nettoyage de l'air optimal, le débit d'air doit passer uniformément sur la face du filtre. Si la taille de la gaine est différente de l'armoire du filtre à fibres, des transitions graduelles sont requises. Suivre ces instructions lors de la fabrication :

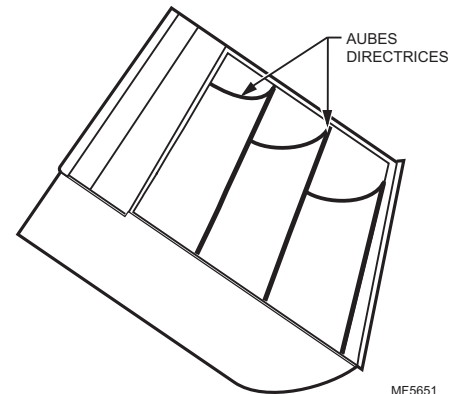
- Utiliser des transitions graduelles pour réduire les turbulences de l'air et augmenter l'efficacité.
- Utiliser des expansions de 20° maximum (environ 100 mm tous les 300 mm linéaires [4 po par pied de longueur]) de chaque côté du raccord de transition.

DIMENSION DE GAINÉ MODIFIÉE GRADUELLEMENT POUR ÉVITER LES TURBULENCES.



Aubes directrices

Si l'épurateur d'air à fibres est installé près d'un coude ou d'un raccord à angle, ajouter des aubes directrices dans le coude pour distribuer le débit de façon plus uniforme sur la face du filtre. Voir la Fig. 12.

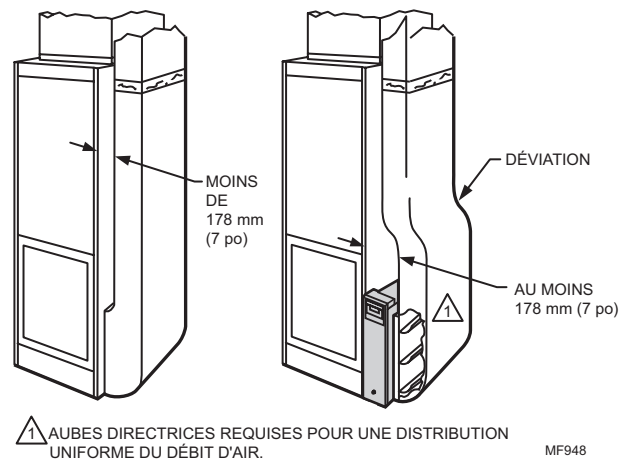


Tôle

L'épurateur d'air à fibres peut être adapté à tous les systèmes de chauffage et de refroidissement à air pulsé neufs ou existants utilisés dans les applications résidentielles. Des transitions ou des aubes directrices peuvent être requises dans certaines applications pour une épuration de l'air plus efficace.

Déviations

Si la connexion de la gaine à l'appareil de chauffage dans une installation latérale alloue un espace inférieur à 178 mm (7 po) pour le montage de l'armoire de l'épurateur d'air à fibres, attacher une déviation au coude.



Exigences d'installation importantes

Le non-respect de ces exigences annulera la garantie, nuira à l'installation et entraînera des appels de service injustifiés.

POUR
COMMENCER

Sécurité personnelle

- Porter des lunettes de protection lors de l'installation de l'unité.
- S'assurer de ne pas entailler les fils électriques ou les gaines de climatisation.
- Respecter les normes de sécurité professionnelles et les codes de plomberie et d'électricité et d'installations mécaniques.

Avant le montage

- En consultant la figure sur le couvercle et les listes dans le couvercle intérieur, s'assurer que tous les composants requis pour le modèle d'épurateur d'air à fibres de Honeywell et tous les outils pour l'installation sont présents.
- S'assurer que la direction du débit d'air par l'épurateur d'air à fibres de Honeywell correspond aux flèches sur la face du filtre. Les flèches doivent pointer dans la direction du débit d'air.
- Choisir un emplacement facilement accessible pour la vérification et le remplacement du filtre. Allouer un dégagement d'au moins 660 mm (26 po) à l'avant de l'unité pour retirer le filtre.
- Installer le filtre à air à fibres à un endroit où la température ne dépasse pas les valeurs indiquées dans la section Caractéristiques techniques.
- Ne pas monter l'appareil dans la gaine d'air d'alimentation.

REMARQUE : De manière générale, le meilleur emplacement est dans la gaine d'air de retour près du compartiment de la soufflante pour favoriser la propreté du moteur de la soufflante et des serpentins d'évaporation.

Pour le remplacement d'un ancien épurateur d'air

Si l'épurateur d'air à fibres de Honeywell n'est pas identique à l'épurateur existant en matière de taille et de forme, avant d'effectuer une installation de modernisation, il peut être nécessaire d'ajouter des transitions de gaine pour assurer un débit d'air régulier.

Pour assurer une performance optimale du système, remplacer le filtre tous les six mois (avant la saison de chauffage et avant la saison de refroidissement). Régler le programme en fonction des besoins, mais remplacer le filtre au moins une fois par an.

Sélection de la position de montage

L'épurateur d'air à fibres se monte dans n'importe quelle position dans la gaine d'air de retour, en général près du compartiment de la soufflante de l'appareil de chauffage, mais la flèche du filtre doit pointer dans la direction du débit d'air. Voir les Fig. 3-10 pour l'emplacement de l'épurateur d'air à fibres pour une variété d'installations d'appareils de chauffage.

REMARQUE : L'armoire de l'épurateur d'air à fibres est suffisamment robuste pour aisément soutenir le poids de l'appareil de chauffage et du serpentin d'évaporation.

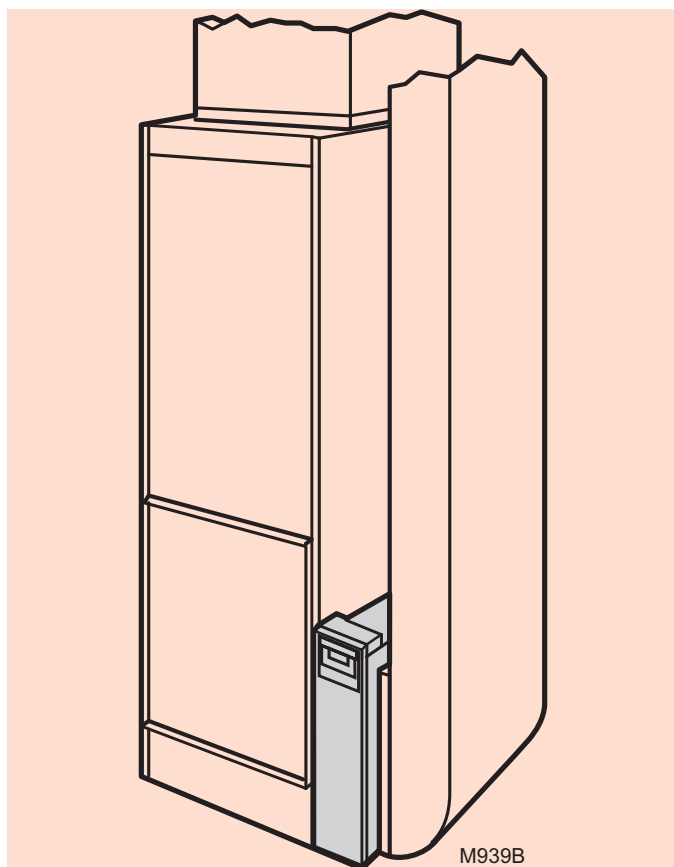


Fig. 1. Appareil de chauffage superposé avec installation latérale. Le filtre à air à fibres se monte verticalement à l'endroit où l'air de retour pénètre dans l'entrée latérale de l'appareil de chauffage.

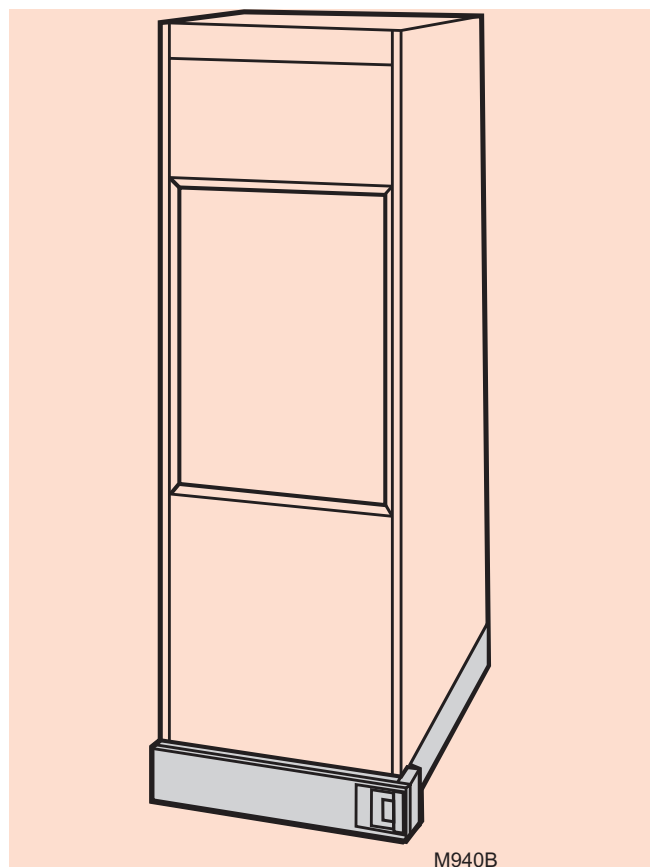


Fig 2. Appareil de chauffage superposé avec installation sous l'appareil de chauffage. L'épurateur d'air à fibres se monte horizontalement à l'endroit où l'air de retour pénètre par en dessous.

Avant de commencer le montage :

J'ai choisi un emplacement d'installation qui répond aux exigences des pages 16 à 18

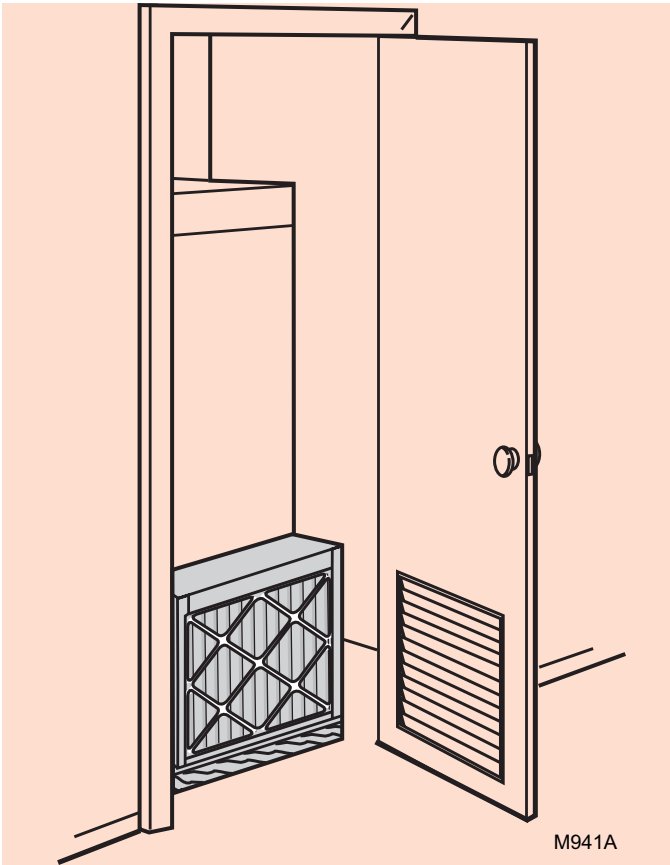


Fig. 3. Appareil de chauffage superposé avec installation dans un placard. L'épurateur d'air à fibres se monte verticalement sur l'appareil de chauffage entre ce dernier et l'ouverture de l'air de retour à volets de la porte du placard.

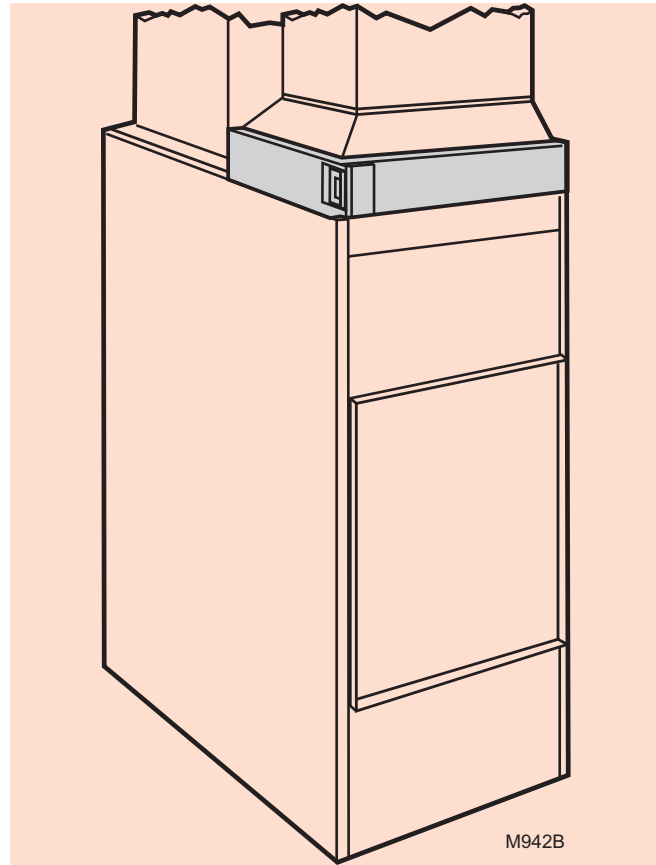
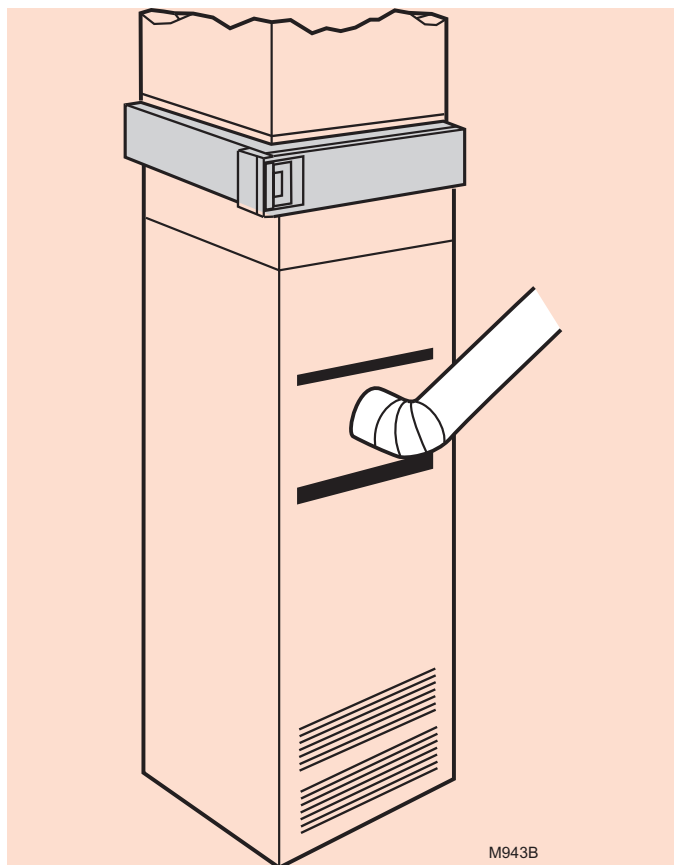
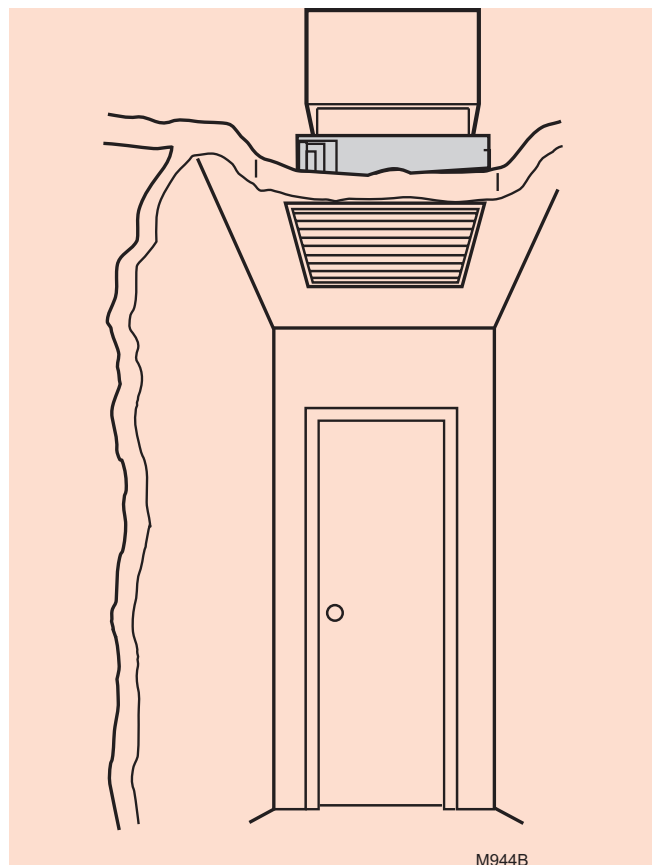


Fig. 4. Appareil de chauffage juxtaposé avec épurateur d'air à fibres monté horizontalement dans le plénum de retour juste au-dessus de l'appareil de chauffage et à l'opposé du plénum de chauffage.



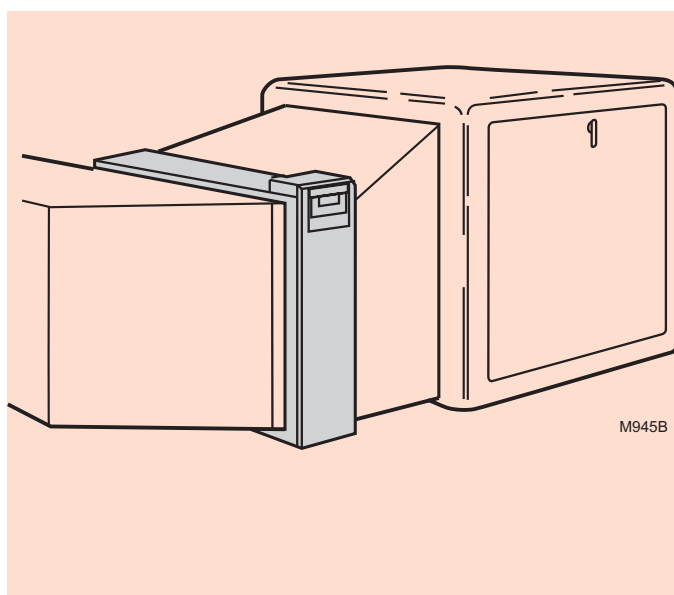
M943B

Fig. 5. Appareil de chauffage à contrecourant avec épurateur d'air à fibres monté horizontalement dans la gaine de retour ou le plénum juste au-dessus de l'appareil de chauffage.



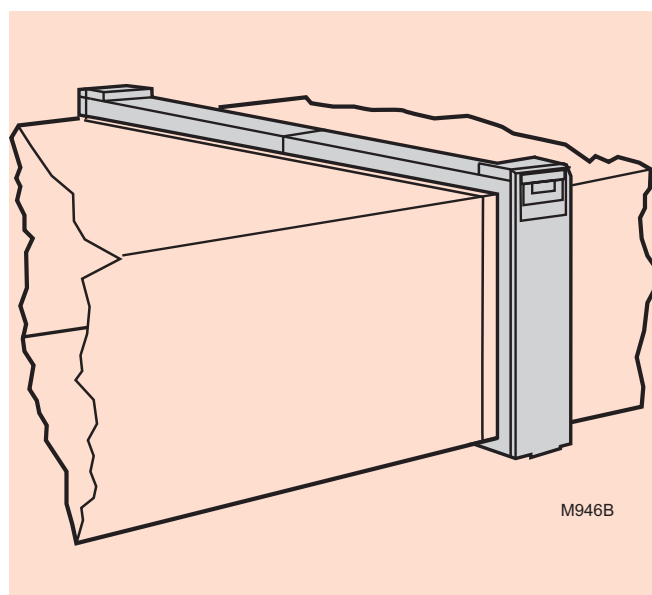
M944B

Fig. 6. Installation de ventilation centrale avec épurateur d'air à fibres monté horizontalement dans la gaine de retour centrale.



M945B

Fig. 7. Appareil de chauffage horizontal avec filtre à air à fibres monté verticalement dans la gaine de retour près de l'appareil de chauffage.



M946B

Fig. 8. Deux épurateurs d'air à fibres ou plus utilisés dans un système haute capacité.

Montage de l'épurateur d'air à fibres F100

La procédure suivante décrit une installation latérale typique sur un appareil de chauffage superposé existant (Fig. 1). Les autres procédures sont indiquées selon le besoin. D'autres modifications des procédures d'installation peuvent être nécessaires pour terminer l'installation.

REMARQUE : Avant de commencer l'installation, retirer et éliminer le filtre de l'appareil de chauffage existant (le cas échéant). Nettoyer intégralement le compartiment de la soufflante. Si possible, nettoyer les gaines à l'aspirateur pour retirer la poussière accumulée dans une maison occupée ou la poussière de construction dans une maison nouvellement construite. L'épurateur d'air à fibres ne peut pas retirer la saleté accumulée dans le compartiment de la soufflante et des gaines de distribution.

ÉTAPE 1 : Révision du plan d'installation

Placer provisoirement l'armoire au sol, orientée dans le sens de l'installation. Insérer et retirer le filtre pour s'assurer que le plan alloue un dégagement suffisant pour un retrait et un remplacement facile du filtre.

ÉTAPE 2 : Fixation de l'armoire à l'appareil de chauffage

- Aligner l'armoire sur l'ouverture de l'air de retour.
- Placer des cales sous l'armoire selon le besoin pour s'assurer que l'unité est bien assise.
- Créer une ouverture dans l'appareil de chauffage correspondant à l'ouverture de l'armoire.
- Attacher fermement l'armoire à l'appareil de chauffage. Attacher l'unité directement ou insérer un collet de départ dans l'ouverture de l'appareil de chauffage. Percer des trous et fixer avec des vis à tôle ou des rivets, ou utiliser des joints coulissants. Si des trous sont percés, utiliser des pinces de verrouillage pour maintenir l'ouverture en place durant le perçage.

ÉTAPE 3 : Installation des aubes directrices

Installer les aubes directrices pour favoriser une distribution égale de l'air sur toute la surface du filtre en amont. Les installer lorsqu'un coude à 90° abrupt est installé directement contre l'armoire de l'épurateur d'air à fibres.

ÉTAPE 4 : Fixation de l'armoire aux gaines

Attacher le côté de l'armoire aux gaines à l'aide de vis à tôle, de rivets ou de joints coulissants, selon le besoin.

ÉTAPE 5 : Connexion des gaines

- Brancher la section de gaine verticale au coude. Si la section verticale est située à moins de 178 mm (7 po) du côté de l'appareil de chauffage, raccourcir la section horizontale ou attacher un raccord de déviation au coude. Voir la Fig. 12.
- Lorsque la gaine est bien alignée, brancher la gaine verticale à la section horizontale.

ÉTAPE 6 : Étanchéification des joints

Étanchéifier tous les joints du système d'air de retour entre le filtre à air à fibres et l'appareil de chauffage pour éviter la poussière de pénétrer dans le flux d'air propre.

ÉTAPE 7 : Installation du filtre

Insérer le filtre dans l'armoire en s'assurant que la flèche du filtre pointe dans la direction du débit d'air. Replacer la porte d'accès. Insérer la languette au bas de la porte dans la fente de l'armoire. Faire pivoter la porte pour la fermer et appuyer dessus pour l'enclencher en position fermée.

Vérification

Vérifier l'installation visuellement et s'assurer que :

- Le débit d'air est dans la direction de la flèche du filtre à air à fibres.
- Les aubes directrices et les transitions, le cas échéant, sont correctement installées.
- Les joints dans la tôle entre le filtre à air à fibres et l'appareil de chauffage sont étanches.
- Les raccords de tôle sont bien en place.
- Le filtre de l'appareil de chauffage d'origine a été retiré et le compartiment de la soufflante est propre.

Une fois les vérifications terminées :

- Remplacer toutes les portes d'accès retirées durant l'installation ou la vérification.
- Mettre l'appareil de chauffage ou le système de refroidissement en marche sur un cycle complet pour s'assurer que le système fonctionne correctement.

Entretien

Le filtre à fibres doit être remplacé lorsque la chute de pression sur le filtre à fibres atteint 0,1 kPa (0,5 po c.e.) ou une fois par an au minimum. Si l'épurateur d'air à fibres est installé en aval d'un humidificateur à pulvérisation ou si l'installation inclut chauffage et refroidissement, un remplacement plus fréquent peut être requis. Un filtre obstrué doit être rapidement remplacé pour éviter les restrictions du débit d'air et une réduction de l'efficacité du système de chauffage/refroidissement. Noter la date de remplacement dans l'espace fourni sur le filtre à fibres de rechange.

Caractéristiques techniques

Les caractéristiques techniques de cette publication n'incluent pas les tolérances de fabrication normales. En conséquence, une unité individuelle peut ne pas correspondre exactement aux caractéristiques techniques indiquées. Ce produit est testé et étalonné dans des conditions strictement contrôlées, et des différences de performance mineures peuvent avoir lieu si ces conditions sont différentes.

Effacité du FC100A

Taux d'efficacité : Les taux d'efficacité sont basés sur la norme 52.2 -1999 de la Société américaine des ingénieurs en chauffage, réfrigération et climatisation (ASHRAE). Ils sont définis pour les petites particules, E1=0,3 à 1 micron; les particules moyennes, E2=1,0 à 3,0 microns; et les grosses particules, E3=3,0 à 10,0 microns.

Efficacité initiale :
E1 = 25 % à 492 pi/min
E2 = 62 % à 492 pi/min
E3 = 85 % à 492 pi/min

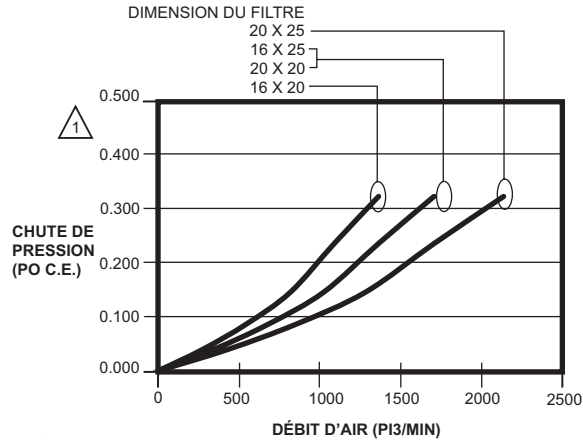
Efficacité minimum (MERV) : 10 à 492 pi/min

Filtre à fibres

Plissé pour une plus grande capacité de filtration.

Capacité et chute de pression

Chute de pression initiale : 0,23 po c.e. à 492 pi/min



À LA PREMIÈRE INSTALLATION, LA CHUTE DE PRESSION AUGMENTE AU FUR ET À MESURE QUE LE FILTRE EST CHARGÉ. REMPLACER LE FILTRE LORSQUE LA CHUTE DE PRESSION ATTEINT 0,5 PO C.E. (0,1 kPa)

MF32820

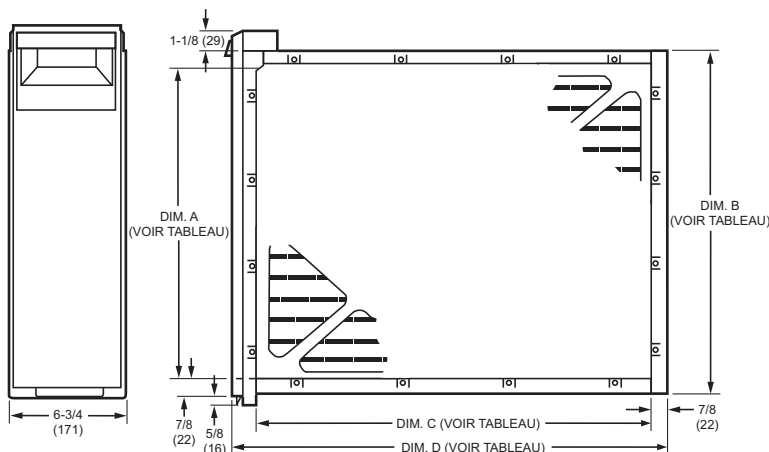
Température nominale

-40 °C à 60 °C (-40 °F à 140 °F)

Montage

Montage dans toutes les positions de la gaine d'air de retour, généralement près du compartiment de la soufflante de l'appareil de chauffage. L'armoire est suffisamment robuste pour soutenir le poids d'un appareil de chauffage résidentiel et d'un serpentin d'évaporation

Dimensions



DIMENSIONS DU F100		DIM. A		DIM. B		DIM. C		DIM. D	
PO	MM	PO	MM	PO	MM	PO	MM	PO	MM
16 X 25	406 X 635	14 7/16	367	16 3/16	411	23 1/4	591	25 1/2	648
16 X 20	406 X 508	14 7/16	367	16 3/16	411	18 1/4	457	20 1/2	521
20 X 25	508 X 635	18 7/16	468	20 3/16	513	23 1/4	591	25 1/2	648
20 X 20	508 X 508	18 7/16	468	20 3/16	513	18 1/4	457	20 1/2	521
25 X 20	635 X 508	23 5/16	592	25 1/8	638	18 3/8	467	20 5/8	524
25 X 22	635 X 559	23 5/16	592	25 1/8	638	20 1/4	514	22 1/2	572

MF14710

Homologations

Underwriters Laboratories Inc. : Répertoire UL 900, Classe 2.

Mise à niveau

Le F100 utilise la même armoire que l'épurateur d'air électronique F300. La mise à niveau peut nécessiter l'installation de la clavette de cellule, des cellules électroniques et des écrans de protection, et l'installation et le câblage du boîtier d'alimentation, en fonction du modèle. (Noter que les modèles de 25 x 20 po et 25 x 22 po ne peuvent pas être mis à niveau pour un épurateur d'air électronique.)

Remplacement du filtre

Pour assurer une performance optimale du système, remplacer le filtre tous les six mois (avant la saison de chauffage et avant la saison de refroidissement). Régler le programme en fonction des besoins, mais remplacer le filtre au moins une fois par an.

Tableau des filtres de rechange

Dimension du filtre (po)	Référence de pièce
20 x 12-1/2 x 4-3/8	FC100A1052
16 x 24-7/8 x 4-3/8	FC100A1029
16 x 19-3/4 x 4-3/8	FC100A1003
20 x 24-7/8 x 4-3/8	FC100A1037
20 x 19-3/4 x 4-3/8	FC100A1011

Solutions de régulation et d'automatisation

Honeywell International Inc.

1985 Douglas Drive North

Golden Valley, MN 55422

<http://yourhome.honeywell.com>

Honeywell

® Marque de commerce déposée aux É.-U.
© 2011 Honeywell International Inc.
68-0239EF—05 M.S. 07-11
Imprimé aux États-Unis.

Free Manuals Download Website

<http://myh66.com>

<http://usermanuals.us>

<http://www.somanuals.com>

<http://www.4manuals.cc>

<http://www.manual-lib.com>

<http://www.404manual.com>

<http://www.luxmanual.com>

<http://aubethermostatmanual.com>

Golf course search by state

<http://golfingnear.com>

Email search by domain

<http://emailbydomain.com>

Auto manuals search

<http://auto.somanuals.com>

TV manuals search

<http://tv.somanuals.com>