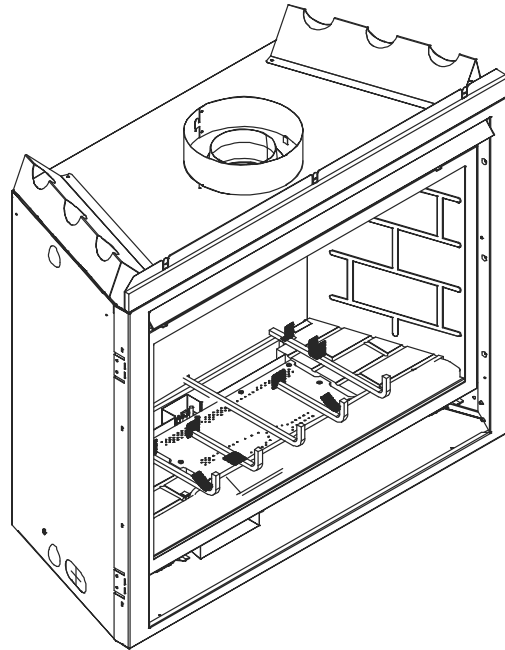


**Model:
8000TVD**

Installers Guide



GAS-FIRED
UL
LISTED
Underwriters
Laboratories Listed

WARNING: IF THE INFORMATION IN THESE INSTRUCTIONS IS NOT FOLLOWED EXACTLY, A FIRE OR EXPLOSION MAY RESULT CAUSING PROPERTY DAMAGE, PERSONAL INJURY, OR DEATH.

- Do not store or use gasoline or other flammable vapors and liquids in the vicinity of this or any other appliance.
- **What to do if you smell gas**
 - Do not try to light any appliance.
 - Do not touch any electrical switch.
 - Do not use any phone in your building.
 - Immediately call your gas supplier from a neighbor's phone. Follow the gas supplier's instructions.
 - If you cannot reach your gas supplier, call the fire department.
- Installation and service must be performed by a qualified installer, service agency, or the gas supplier.

READ THIS MANUAL BEFORE INSTALLING OR OPERATING THIS APPLIANCE. THIS *INSTALLERS GUIDE* MUST BE LEFT WITH APPLIANCE FOR FUTURE REFERENCE.

WARNING: IMPROPER INSTALLATION, ADJUSTMENT, ALTERATION, SERVICE OR MAINTENANCE CAN CAUSE INJURY OR PROPERTY DAMAGE. REFER TO THIS MANUAL. FOR ASSISTANCE OR ADDITIONAL INFORMATION CONSULT A QUALIFIED INSTALLER, SERVICE AGENCY, OR THE GAS SUPPLIER.


Please contact your Heat-N-Glo dealer for any questions or concerns. For the number of your nearest Heat-N-Glo dealer, please call 1-888-427-3973.


Printed in U.S.A. Copyright 2004,

Heat-N-Glo, a brand of Hearth & Home Technologies Inc.
20802 Kensington Boulevard, Lakeville, MN 55044


SAFETY AND WARNING INFORMATION


 **READ** and **UNDERSTAND** all instructions carefully before starting the installation. **FAILURE TO FOLLOW** these installation instructions may result in a possible fire hazard and will void the warranty.


 Prior to the first firing of the fireplace, **READ** the Using Your Fireplace section of the *Owners Guide*.


 **DO NOT USE** this appliance if any part has been under water. Immediately **CALL** a qualified service technician to inspect the unit and to replace any part of the control system and any gas control which has been under water.


 **THIS UNIT IS NOT FOR USE WITH SOLID FUEL.**


 Installation and repair should be **PERFORMED** by a qualified service person. The appliance and venting system should be **INSPECTED** before initial use and at least annually by a professional service person. More frequent cleaning may be required due to excessive lint from carpeting, bedding material, etc. It is **IMPERATIVE** that the unit's control compartment, burners, and circulating air passageways **BE KEPT CLEAN** to provide for adequate combustion and ventilation air.


 Always **KEEP** the appliance clear and free from combustible materials, gasoline, and other flammable vapors and liquids.


 **NEVER OBSTRUCT** the flow of combustion and ventilation air. Keep the front of the appliance **CLEAR** of all obstacles and materials for servicing and proper operations.


 Due to the high temperature, the appliance should be **LOCATED** out of traffic areas and away from furniture and draperies. Clothing or flammable material **SHOULD NOT BE PLACED** on or near the appliance.


 Children and adults should be **ALERTED** to the hazards of high surface temperature and should **STAY AWAY** to avoid burns or clothing ignition. Young children should be **CAREFULLY SUPERVISED** when they are in the same room as the appliance.


 These units **MUST** use one of the vent systems described in the Installing the Fireplace section of the *Installers Guide*. **NO OTHER** vent systems or components **MAY BE USED**.


 This gas fireplace and vent assembly **MUST** be vented directly to the outside and **MUST NEVER** be attached to a chimney serving a separate solid fuel burning appliance. Each gas appliance **MUST USE** a separate vent system. Common vent systems are **PROHIBITED**.


 **INSPECT** the external vent cap on a regular basis to make sure that no debris is interfering with the air flow.


 The glass door assembly **MUST** be in place and sealed, and the trim door assembly **MUST** be in place on the fireplace before the unit can be placed into safe operation.

 **DO NOT OPERATE** this appliance with the glass door removed, cracked, or broken. Replacement of the glass door should be performed by a licensed or qualified service person. **DO NOT** strike or slam the glass door.

 The glass door assembly **SHALL ONLY** be replaced as a complete unit, as supplied by the gas fireplace manufacturer. **NO SUBSTITUTE** material may be used.

 **DO NOT USE** abrasive cleaners on the glass door assembly. **DO NOT ATTEMPT** to clean the glass door when it is hot.

 Turn off the gas before servicing this appliance. It is recommended that a qualified service technician perform an appliance check-up at the beginning of each heating season.

 Any safety screen or guard removed for servicing must be replaced before operating this appliance.


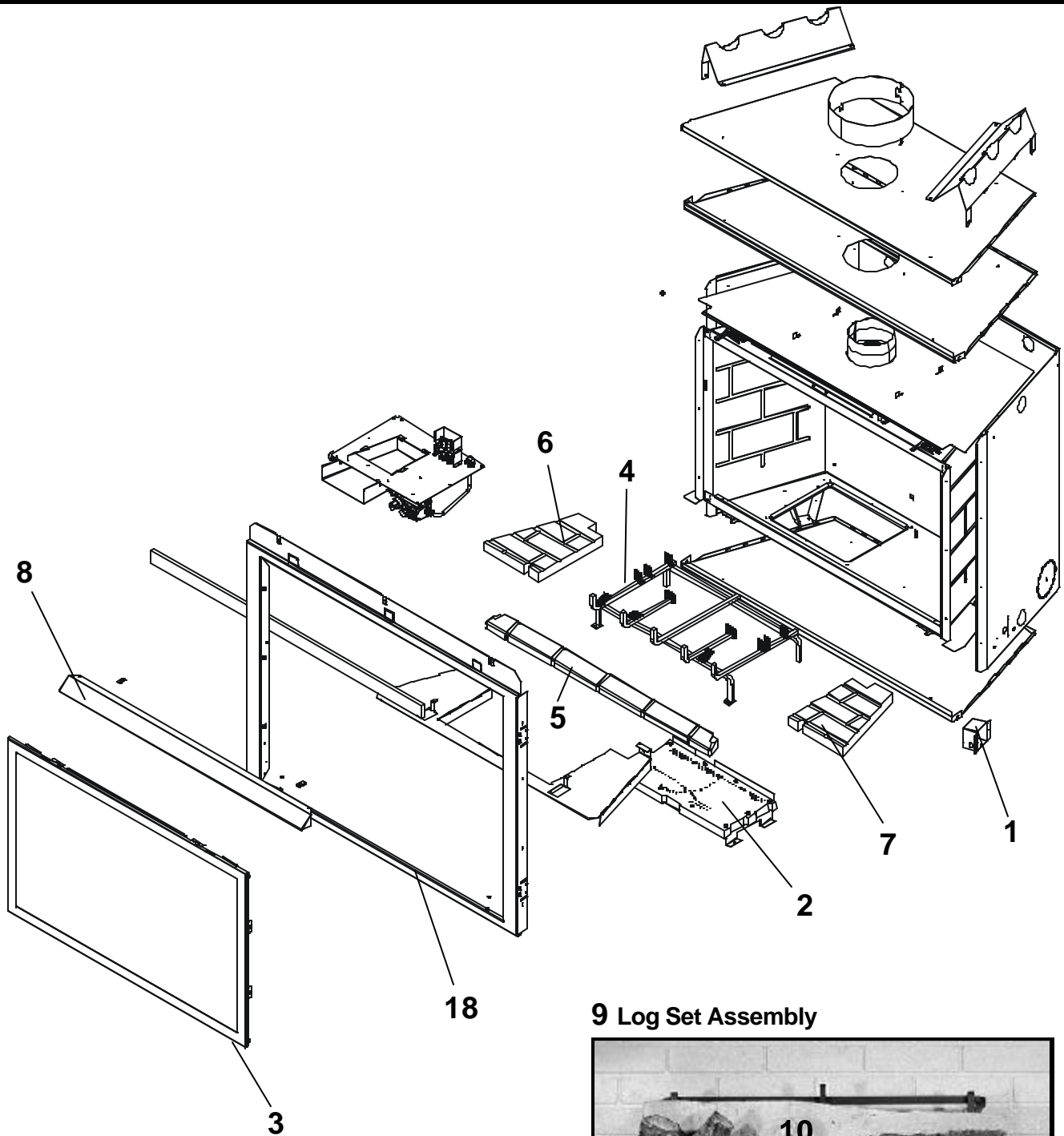
 **DO NOT** place furniture or any other combustible household objects within 36 inches of the fireplace front.

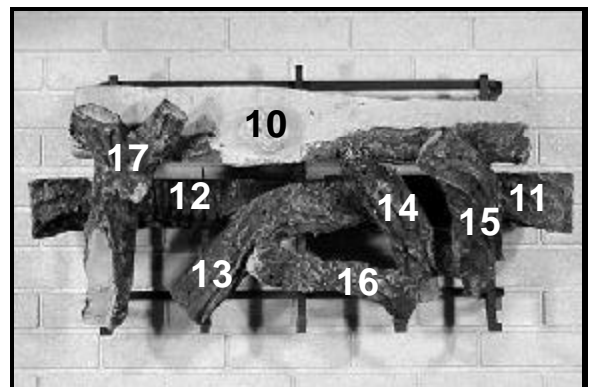
TABLE OF CONTENTS

| | |
|---|----|
| Safety and Warning Information | 2 |
| ◆ Service Parts List | 4 |
| Section 1: Approvals and Codes | 8 |
| Appliance Certification | 8 |
| Installation Codes | 8 |
| High Altitude Installations | 8 |
| Section 2: Getting Started | 9 |
| Introducing the Heat-N-Glo Gas Fireplaces | 9 |
| Pre-installation Preparation | 9 |
| Section 3: Installing the Fireplace | 11 |
| Step 1 Locating the Fireplace | 11 |
| Step 2 Framing the Fireplace | 11 |
| Step 3 Negative Pressure Make-up Air | 12 |
| Step 4 Installing the Vent System | 13 |
| A. Vent System Approvals | 13 |
| B. System Components | 13 |
| C. Bedroom Installation in Canada | 14 |
| D. Vent Termination | 14 |
| Step 5 Positioning, Leveling, and Securing the Fireplace | 14 |
| Step 6 The Gas Control Systems | 14 |
| ◆ Step 7 The Gas Supply Line | 15 |
| Step 8 Gas Pressure Requirements | 15 |
| ◆ Step 9 Wiring the Fireplace | 16 |
| Step 10 Finishing | 18 |
| Step 11 Installing Trim, Logs, and Ember Material | 18 |
| Installing the Trim | 18 |
| Positioning the Logs | 18 |
| Shutter Settings | 18 |
| Placing the Ember Material | 18 |
| Glass Specifications | 19 |
| Step 12 Before Lighting the Fireplace | 19 |
| Step 13 Lighting the Fireplace | 19 |
| After the Installation | 19 |
| Section 4: Maintaining and Servicing Your Fireplace | 20 |

◆ = Contains updated information.



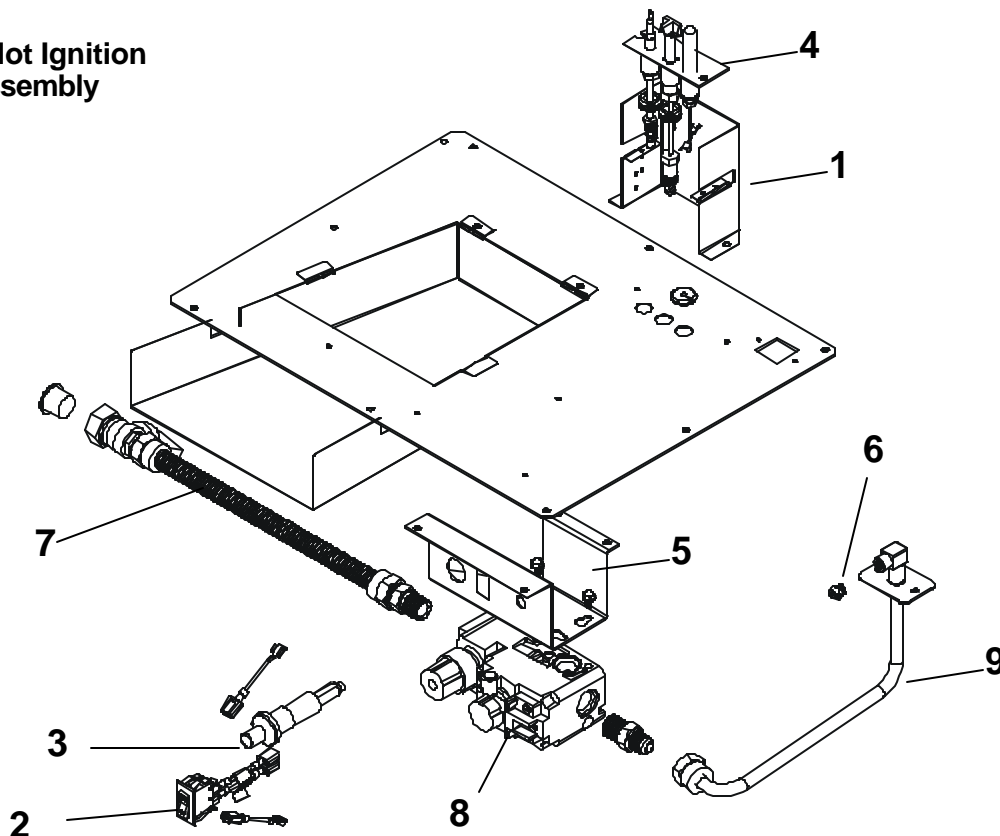
9 Log Set Assembly



- * Part number list on following page.
- * La liste des numéros de pièce se trouve à la page suivante.

| ITEM / PIÈCE | ENGLISH / FRENCH DESCRIPTION | SERIAL # /N° DE SÉRIE | PART NUMBER / N° DE PIÈCE |
|---|---|---------------------------------|------------------------------|
| COMMON PARTS / PIÈCES COMMUNES | | | |
| 1 | Junction Box - Pilot / Boîtier de raccordement - de veilleuse | PRE 002324001 POST 002324001 | 100-250A 4021-013 |
| 2 | Burner / Brûleur | | 380-378A-UM |
| 3 | Glass Door Assembly / Porte en verre | | GLA-8TRD |
| 4 | Grate Assembly / Grille | | 582-360A |
| 5 | Refractory Base / Réfractaire Base | | SRV582-370-UM |
| 6 | Refractory Left Base / Réfractaire | | SRV582-376-UM |
| 7 | Refractory Right Base / Réfractaire | | SRV582-377-UM |
| 8 | Hood / Hotte | | SRV560-175 |
| 9 | Log Set Assembly / Jeu de Bûches | | LOGS-8TRC |
| 10 | Log 1 / Bûche 1 | | SRV582-701 |
| 11 | Log 2 / Bûche 2 | | SRV582-703 |
| 12 | Log 3 / Bûche 3 | | SRV582-702 |
| 13 | Log 4 / Bûche 4 | | SRV582-704 |
| 14 | Log 5 / Bûche 5 | | SRV402-701 |
| 15 | Log 6 / Bûche 6 | | SRV582-706 |
| 16 | Log 7 / Bûche 7 | | SRV582-707 |
| 17 | Log 8 / Bûche 8 | | SRV582-705 |
| 18 | Surround / Entourage | | 380-130 |
| STANDING PILOT IGNITION / D'ALLUMAGE PAR VEILLEUSE | | | |
| | Pilot Orifice NG / Orifice de veilleuse GN | | 446-505 |
| | Pilot Orifice PL / Orifice de veilleuse PL | | 446-517 |
| | Thermocouple / Thermocouple | | 446-511 |
| | Thermopile / Thermopile | | 060-512 |
| | Conversion Kit NG / Module de conversion GN | Pre 1252 Post 1252 | NGK-8TRD NGK-8TVD-A |
| | Conversion Kit LP / Module de conversion PL | Pre 1052 Post 1052 | LPK-8TRD LPK-8TVD-A |
| IPI IGNITION ONLY / ALLUMAGE IPI SEULEMENT | | | |
| | Conversion Kit LP - IPI / Module de conversion PL - IPI | | LPK-8TVD-IPI |
| | Junction Box / Boîtier de dérivation | PRE 002324001 POST 002324001 | 383-250A 4021-013 |

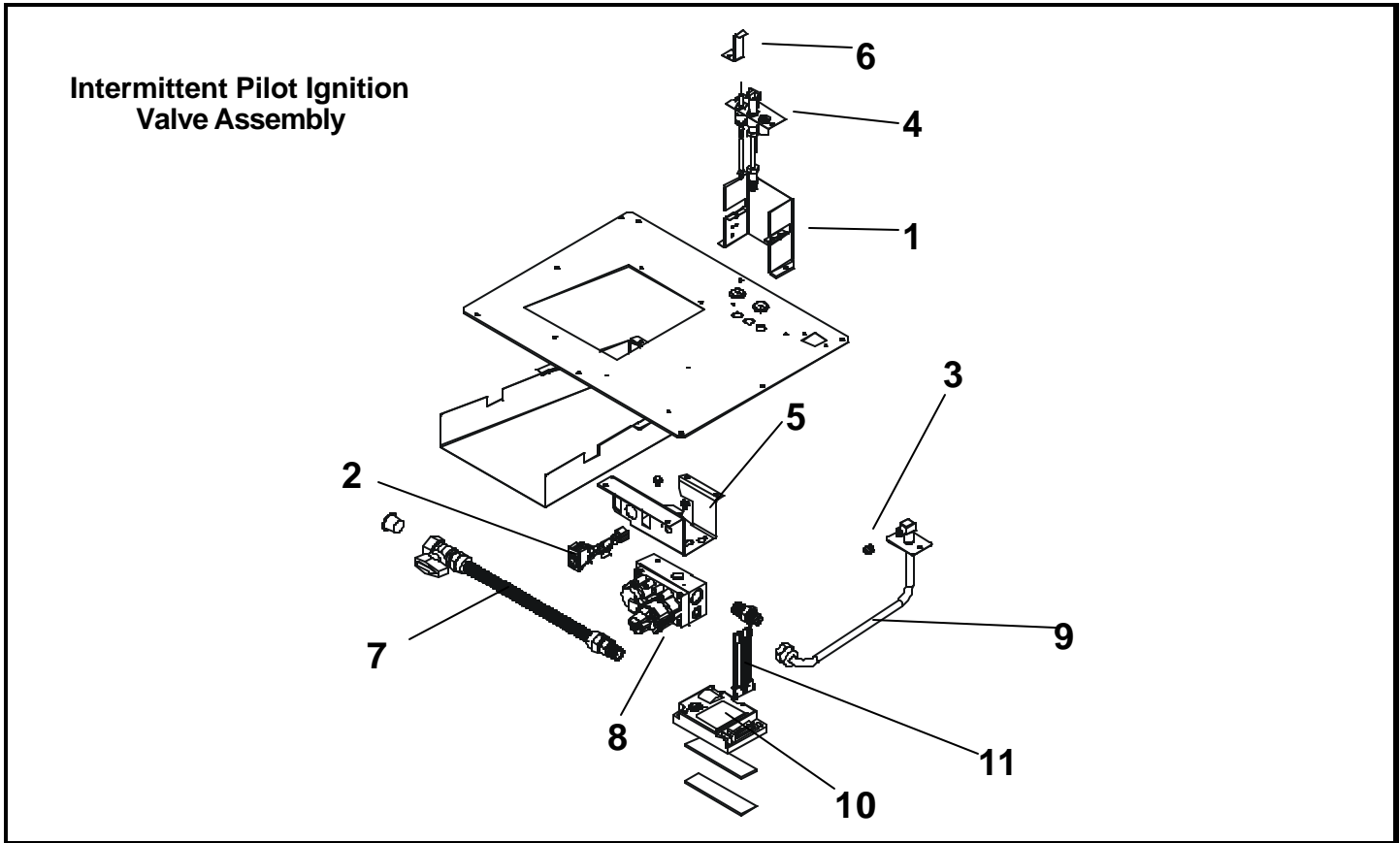
Standing Pilot Ignition Valve Assembly



| ITEM / PIÈCE | DESCRIPTION | SERIAL # / N° DE SÉRIE | PART NUMBER / N° DE PIÈCE |
|--------------|--|------------------------|---------------------------|
| 1 | Pilot Bracket / Parenthèse Pilote | | 530-164 |
| 2 | ON/OFF Rocker Switch / Interrupteur à bascule MARCHÉ/ARRÊT | | 060-521A |
| 3 | Piezo Ignitor / Allumeur piézo | | 291-513 |
| 4 | Pilot Assembly NG / Module de veilleuse GN | | 485-510A |
| 4 | Pilot Assembly LP / Module de veilleuse PL | | 485-511A |
| 5 | Valve Bracket / Parenthèse de Valve | | 550-169 |
| 6 | Orifice NG (#32C) / Assemblée d'Orifice GN (#32C) | | 582-832 |
| 6 | Orifice LP (#50C) / Assemblée d'Orifice PL (#50C) | | 582-850 |
| 7 | Flex Ball Valve Assembly / Fléchir l'Assemblée de Soupape de Balle | | 302-320A |
| 8 | Valve NG / Valve GN | | 060-522 |
| 8 | Valve LP / Valve PL | | 060-523 |
| 9 | Flexible Gas Connector / Tuyau à gaz flexible | | 383-302A |

(NG, LP) Exploded Parts Diagram
(GN, PL) Vue éclatée des pièces

Beginning Manufacturing Date: 9-01_
Ending Manufacturing Date: _____



| ITEM / PIÈCE | DESCRIPTION | SERIAL # / N° DE SÉRIE | PART NUMBER / N° DE PIÈCE |
|--------------|--|---------------------------------|---------------------------|
| 1 | Pilot Bracket / Parenthèse Pilote | | 530-164 |
| 2 | ON/OFF Rocker Switch / Interrupteur à bascule MARCHÉ/ARRÊT | | 060-521A |
| 3 | Orifice NG (#32C) / Orifice GN (#32C) | | 582-832 |
| 3 | Orifice LP (#50C) / Orifice PL (#50C) | | 582-850 |
| 4 | Pilot Assembly NG / Module de veilleuse GN | PRE 002324001 POST 002324001 | 385-510A 4021-025 |
| 4 | Pilot Assembly LP / Module de veilleuse PL | PRE 002324001 POST 002324001 | 385-511A 4021-026 |
| 5 | Valve Bracket / Parenthèse de Valve | PRE 002324001 POST 002324001 | 385-169 2025-101 |
| 6 | Ground Strap / Courroie de Raison(Terre) | | 2025-512 |
| 7 | Flex Ball Valve Assembly / Fléchir l'Assemblée de Soupape de Balle | | 302-320A |
| 8 | Valve NG / Valve GN | | 750-500 |
| 8 | Valve LP / Valve PL | | 750-501 |
| 9 | Flexible Gas Connector / Tuyau à gaz flexible | PRE 002324001 POST 002324001 | 477-301A 383-302A |
| 10 | Module / Module | | 593-592 |
| 11 | Wire Assembly / Module de fil | | 593-590A |
| | Battery Pack / Paquet de Batterie(Pile) | | 593-594A |
| | 3 Volt Transformer / 3 Transformateur de Volt | | 593-593A |

1

Approvals and Codes

Appliance Certification

The Heat-N-Glo fireplace model discussed in this *Installers Guide* has been tested to certification standards and listed by the applicable laboratories.

| Certification |
|--|
| MODELS: 8000TVD |
| LABORATORY: Underwriters Laboratories |
| TYPE: Vented Gas Fireplace |
| STANDARD: ANSI Z21.50•CGA2.2 |

Installation Codes

The fireplace installation must conform to local codes. Before installing the fireplace, consult the local building code agency to ensure that you are in compliance with all applicable codes, including permits and inspections.

In the absence of local codes, the fireplace installation must conform to the National Fuel Gas Code ANSI Z223.1 (in the United States) or the CAN/CGA-B149 Installation Codes (in Canada). The appliance must be electrically grounded in accordance with local codes or, in the absence of local codes with the National Electric Code ANSI/NFPA No. 70 (in the United States), or to the CSA C22.1 Canadian Electric Code (in Canada).

These models (natural gas and propane) can be installed in a bedroom (in the United States) which has a total volume of unconfined space appropriate to the particular installation. Refer to the National Fuel Gas Code ANSI Z223.1/NFPA54

(current edition). The Uniform Mechanical Code - (current edition), and local Building Officials for the options allowed in obtaining an effective bedroom volume of unconfined space.

These models (natural gas and propane) can be installed in a bedroom (in Canada) if a thermostat (Model WH-STAT) is installed with the unit. Consult local code authorities. Detailed installation instructions for Model WH-STAT are included with the kit.

High Altitude Installations

U.L. Listed gas appliances are tested and approved without requiring changes for elevations from 0 to 2,000 feet in the U. S. A. and in Canada.

When installing this appliance at an elevation above 2,000 feet, it may be necessary to decrease the input rating by changing the existing burner orifice to a smaller size. Input rate should be reduced by 4% for each 1000 feet above a 2000 foot elevation in the U.S.A. or 10% for elevations between 2000 and 4500 feet in Canada. If the heating value of the gas has been reduced, these rules do not apply. To identify the proper orifice size, check with the local gas utility.

If installing this appliance at an elevation above 4,500 feet (in Canada), check with local authorities.



Heat-N-Glo Quality
Systems registered
by SGS ICS

2

Getting Started

Introducing the Heat-N-Glo Gas Fireplaces

Heat-N-Glo B-type vent gas fireplaces are designed to operate with all exhaust gases expelled to the outside of the building.

The information contained in this *Installers Guide*, unless noted otherwise, applies to all models and gas control systems. Gas fireplace diagrams, including the dimensions, are shown in this section.

Pre-install Preparation

This gas fireplace and its components are tested and safe when installed in accordance with this *Installers Guide*. Report to your dealer any parts damaged in shipment, particularly the condition of the glass. **Do not install any unit with damaged, incomplete, or substitute parts.**

The vent system components and trim doors are shipped in separate packages. Log installation instructions are provided in the manual bag assembly shipped with the unit.

Read all of the instructions before starting the installation. Follow these instructions carefully during the installation to ensure maximum safety and benefit. Failure to follow these instructions will void the owner's warranty and may present a fire hazard.

The Heat-N-Glo Warranty will be voided by, and Heat-N-Glo disclaims any responsibility for, the following actions:

- Installation of any damaged fireplace or vent system component.
- Modification of the fireplace or vent system.
- Installation other than as instructed by Heat-N-Glo.
- Improper positioning of the gas logs or the glass door.
- Installation and/or use of any component part not manufactured and approved by Heat-N-Glo, notwithstanding any independent testing laboratory or other party approval of such component part or accessory.

ANY SUCH ACTION MAY POSSIBLY CAUSE A FIRE HAZARD.

When planning a fireplace installation, it's necessary to determine:

- Where the unit is to be installed.
- The vent system configuration to be used.
- Gas supply piping.
- Electrical wiring.
- Framing and finishing details.
- Whether optional accessories—devices such as a fan, wall switch, or remote control—are desired.

If the fireplace is to be installed on carpeting or tile, or on any combustible material other than wood flooring, the fireplace should be installed on a metal or wood panel that extends the full width and depth of the fireplace.

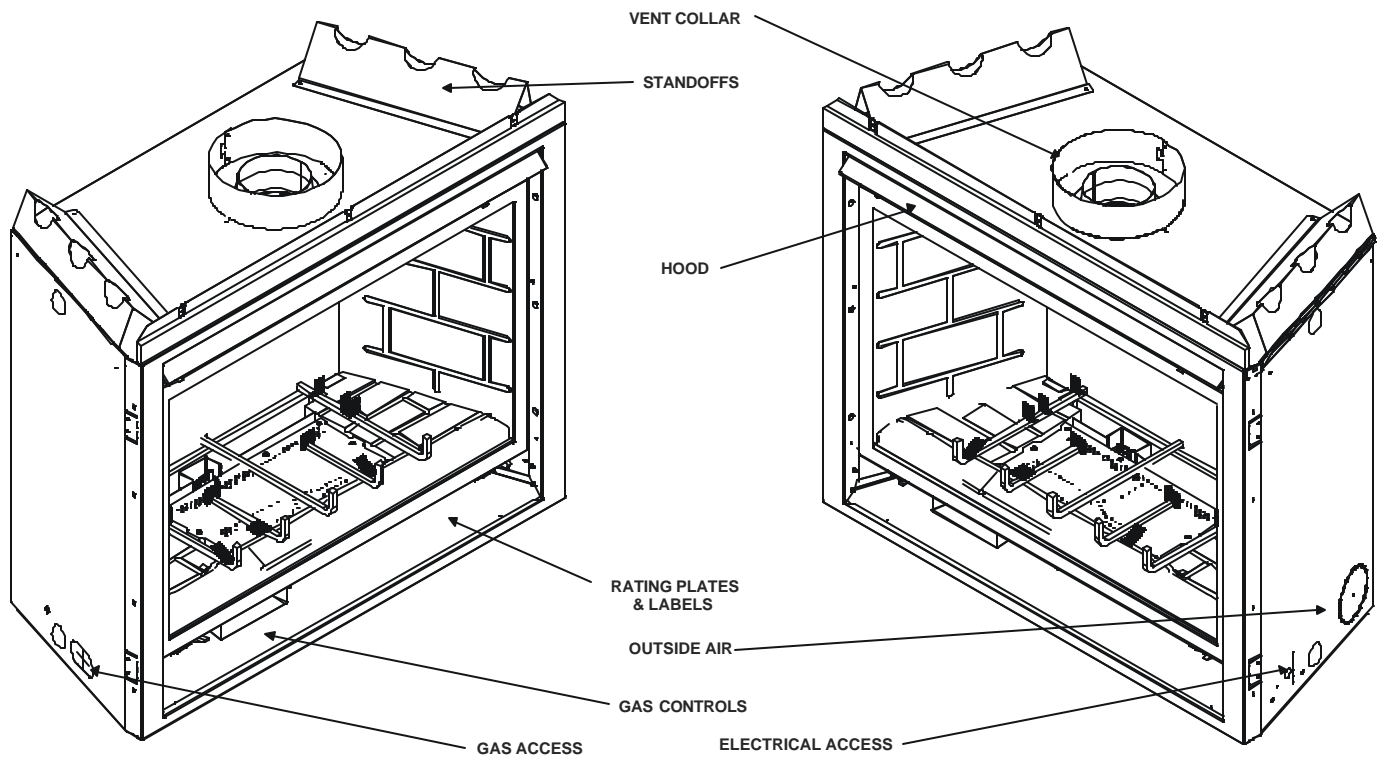
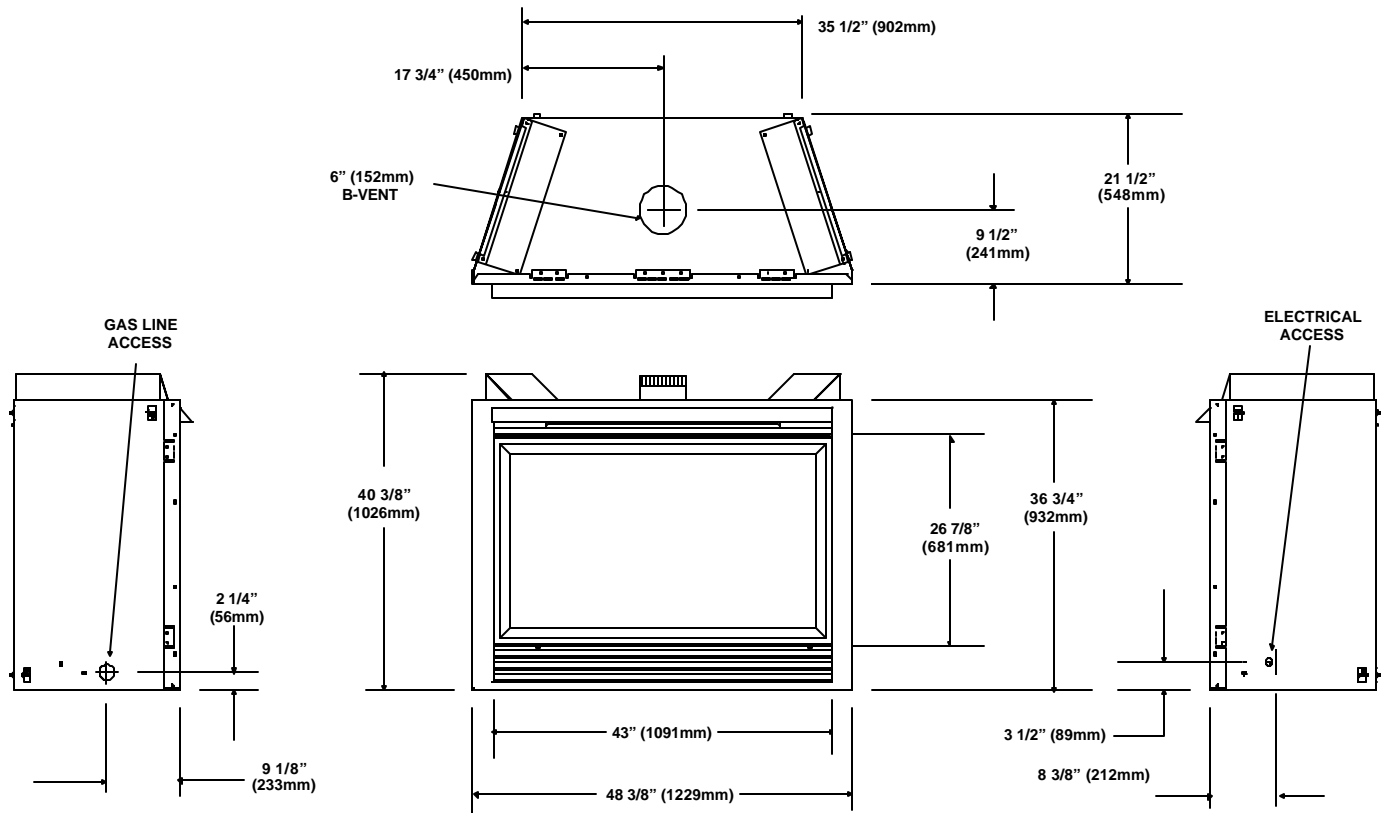


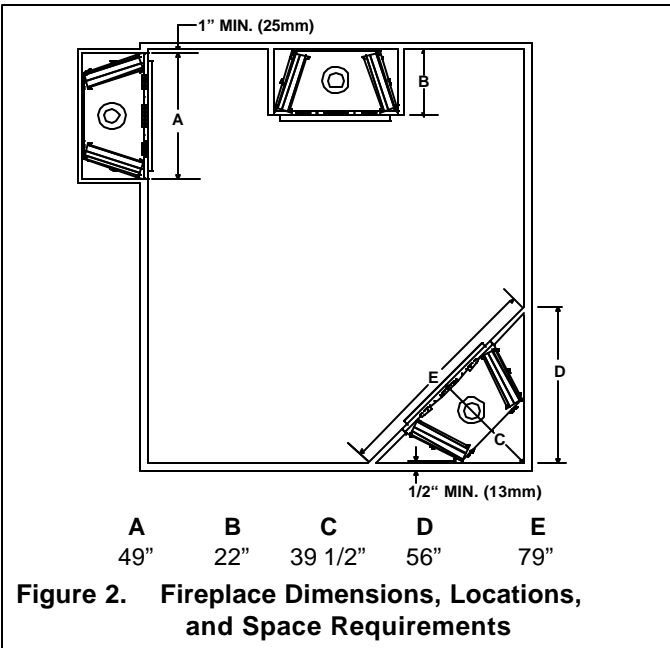
Figure 1. Diagram of 8000TVD

3

Installing the Fireplace

Step 1. Locating the Fireplace

The diagram below shows space and clearance requirements for locating a fireplace within a room.



Clearance Requirements

The top, back, and sides of the fireplace are defined by stand-offs. The minimum clearance to a perpendicular wall extending past the face of the fireplace is one inch (25 mm). The back of the fireplace may be recessed 21 1/2 inches (546 mm) into combustible construction.

The minimum clearance from the top face of the fireplace to combustible finishing materials such as drywall, is 1" (25mm).

The distance from the unit to combustible construction is to be measured from the unit outer wrap surface to the combustible construction, **NOT** from the screw heads that secure the unit together.

| Minimum Clearances from the Fireplace to Combustible Materials | | |
|--|--------|-----|
| | Inches | mm |
| Glass Front | 36 | 914 |
| Floor | 0 | 0 |
| Rear | 1/2 | 13 |
| Sides | 1/2 | 13 |
| Top | 3 1/2 | 89 |
| Ceiling* | 31 | 787 |

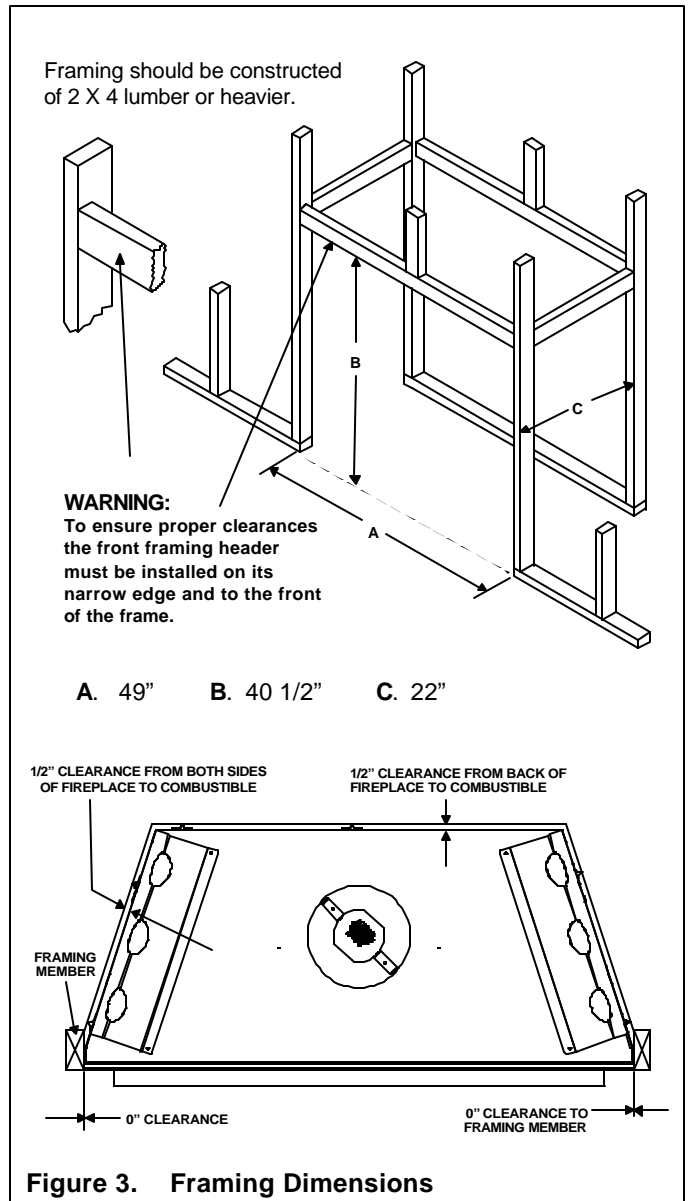
* The clearance to the ceiling is measured from the top of the unit, excluding the standoffs (see Figure 13).

Minimum Clearances from the B-Type Vent Pipe to Combustible Materials is 1" (25mm) all around the pipe.

Step 2. Framing the Fireplace

Fireplace framing can be built before or after the fireplace is set in place. Framing should be positioned to accommodate wall coverings and fireplace facing material. The diagram below shows framing reference dimensions.

CAUTION: MEASURE FIREPLACE DIMENSIONS AND VERIFY FRAMING METHODS AND WALL COVERING DETAILS BEFORE FRAMING.



Step 3. Negative Pressure Make-up Air

Negative Pressure warning: When negative pressure is present, an atmospherically vented fireplace (with a draft hood) may not function properly and it may down draft. In the case of a gas appliance, spillage of the combustion gases may occur. **This may create a dangerous carbon monoxide situation in the house.**

The causes of negative pressure to a house can include the following:

- Stack effect in the building.
- Exhaust only appliances (mechanically and atmospherically vented).
- Inadequate make-up air (which is increasingly more prevalent in new construction).

NOTE: This fireplace will operate correctly only if adequate ventilation is provided to allow proper draft to the fireplace system. Heat-N-Glo assumes no responsibility for the improper performance of the fireplace system caused by inadequate draft due to environmental conditions, down drafts, tight sealing construction of the structure, or mechanical exhausting devices which create a negative air pressure within the structure where the fireplace is located.

It is recommended that all natural venting non-air tight gas fireplaces have outside air connected to them. It is also recommended that the building be mechanically or passively balanced to allow atmospherically vented appliances, such as top vented gas fireplaces with draft hoods, to draft properly. If the home experiences negative pressure or is likely to experience negative pressure, connection to an outside air source is mandatory.

Installing Optional Outside Make-up Air:

This unit is equipped to accept outside air. By using outside make-up air, the amount of room air used for combustion will be reduced. It is recommended that an AK-TV air kit be used with this appliance.



WARNING: IN A NEGATIVE PRESSURE CONDITION (LIKELY TO OCCUR IN NEW HOMES THAT DO NOT HAVE ADEQUATE MAKE-UP AIR) THE OUTSIDE AIR KIT MUST BE INSTALLED TO OBTAIN PROPER PERFORMANCE AND TO HELP PREVENT SPILLAGE OF COMBUSTION GASES.

A 4-inch side collar/damper (found in AK-TV Kit) must be installed on the fireplace by attaching the side collar to the outer wrap of the fireplace at the right-hand rear corner using sheetmetal screws. See Figure 4. Attach one end of a 4-inch flexible air duct (not provided in the AK-TV Kit) to the side collar and the other end of the duct to the make-up air termination cap. Use plastic tie straps to secure the ends of the flex duct to each collar.

Air Damper

Before lighting the burner, open the damper. Close the damper when the burner is off.

Detailed installation instructions for Model AK-TV Outside Air kit are found in the kit.

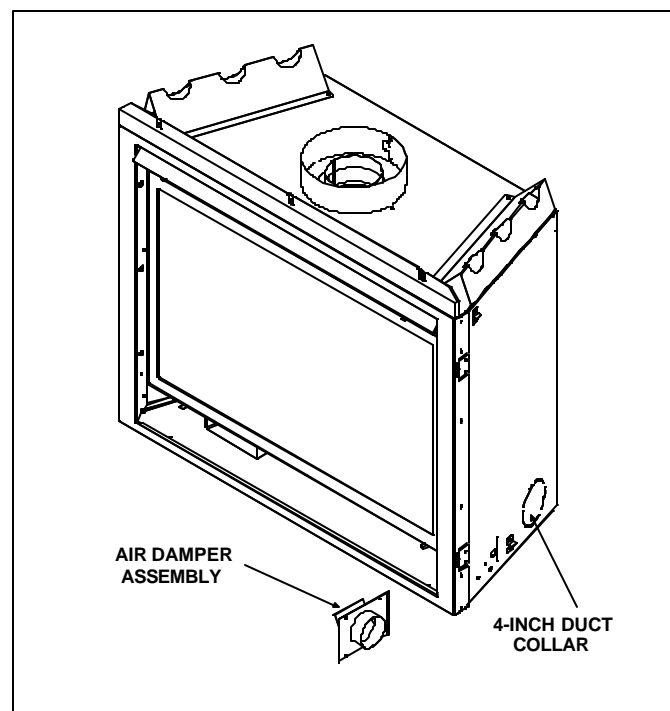


Figure 4. Make-up Air

Step 4. Installing the Vent System

A. Vent System Approvals

Model 8000TVD is approved to use 6-inch (152mm) diameter B-type vent. B-type vent must be used when the vent system is within combustible construction.

These models may also use single wall rigid or flexible gas vent **IF** and **ONLY IF** the vent system is installed within non-combustible construction such as a masonry chimney. The same diameter noted above for B-type vent must be used for single-wall vent. See Figure 5.

For B-type vent the clearance to combustibles is 1-inch. Follow vent manufacturers **REQUIRED** clearances.

The flame and ember appearance may vary based on the type of fuel burned and the venting configuration used.

B. System Components.

Vent System Configuration

RISE TO RUN RATIO = 2:1

MAXIMUM TOTAL HORIZONTAL RUN = 15 FT.

MINIMUM TOTAL VERTICAL RISE = 9 FT.

MAXIMUM NO. OF ELBOWS: 2 - 90° or 4 - 45°

Plan and install the vent system using the parameters shown above.



WARNING: YOU MUST NOT EXCEED THESE PARAMETERS.

Connect a B-Type vent component to the flue outlet collar. Look at the vent pipe through the holes in the 10 5/8" ring to check that the vent pipe is attached.

NOTE: It is always better to first attach a straight section of vent to the unit before attaching an elbow. Avoid using elbows in the vent system if possible.

A 90-degree elbow can be attached directly to the unit. If it is, it can be followed by a **MAXIMUM** 15-foot horizontal run, a second 90-degree elbow ending in a minimum 30 foot vertical.

A minimum of 9 foot vertical rise ending in a listed termination cap is required for the unit.

Continue to add vent components, until the vent run is completed.



WARNING: YOU MUST NOT EXCEED A TOTAL MAXIMUM HORIZONTAL RUN OF 15 FEET FOR THE ENTIRE VENT SYSTEM.

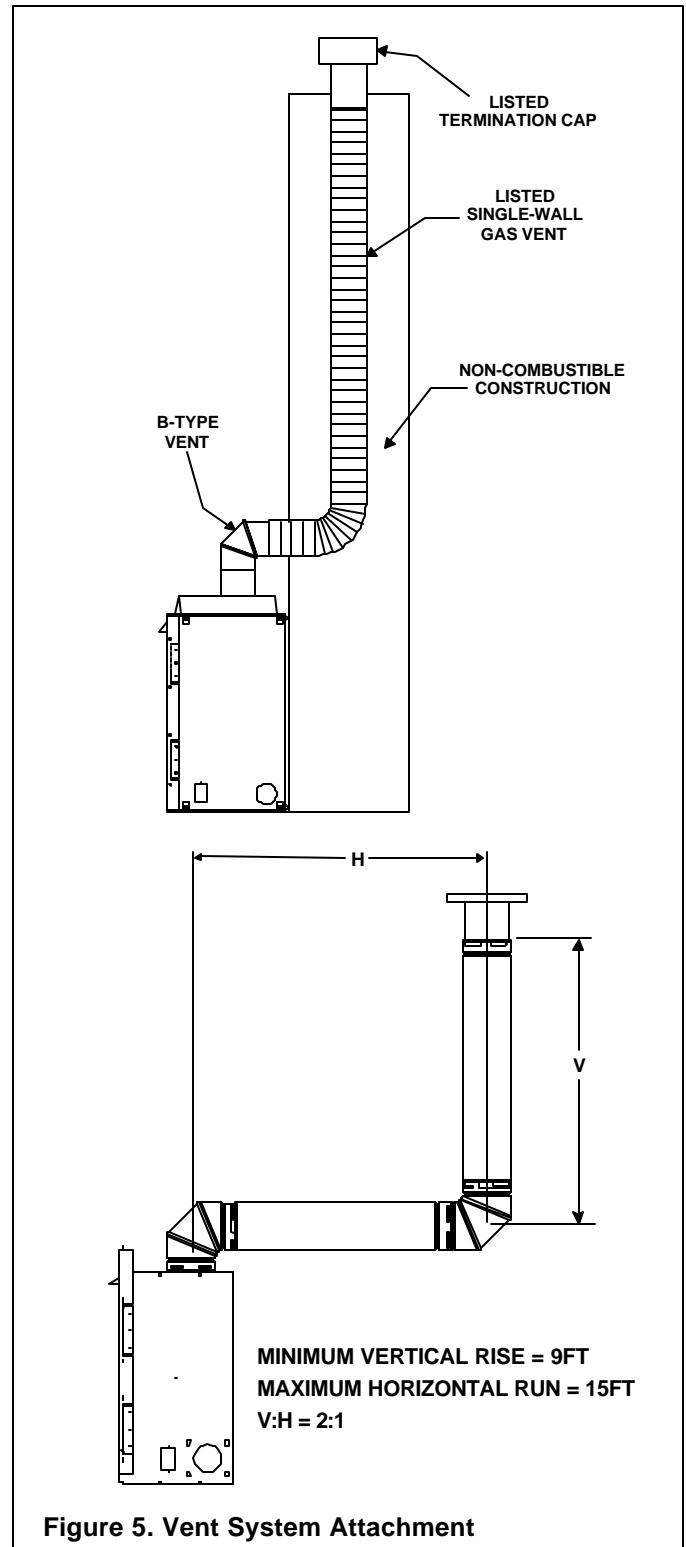


Figure 5. Vent System Attachment

NOTE: The vent termination must be in a vertical position and the termination cap must be listed for the vent pipe used.

Consult Local Building Code Officials and Codes for proper vent system installations.



WARNING: THIS GAS FIREPLACE MUST NEVER BE VENTED BY CONNECTING TO A CHIMNEY FLUE SERVING A SEPARATE SOLID FUEL BURNING APPLIANCE.

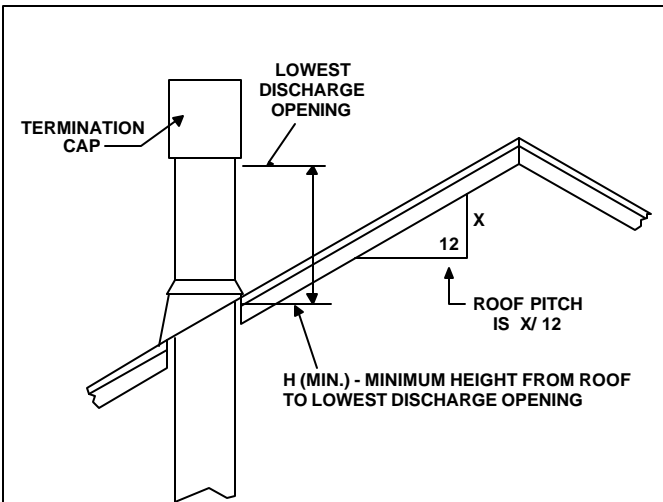
C. Bedroom Installation in Canada

This model **MUST NOT** be vented into a vent system installed exterior to a building. The part of the vent system above the roof line can be exterior to the building.

D. Vent Termination



WARNING: MAJOR U.S. BUILDING CODES SPECIFY MINIMUM CHIMNEY AND/OR VENT HEIGHT ABOVE THE ROOF TOP. THESE MINIMUM HEIGHTS ARE NECESSARY IN THE INTEREST OF SAFETY. FIGURE 6 AND TABLE SHOW MINIMUM HEIGHTS, PROVIDED THE TERMINATION CAP IS AT LEAST 8-FEET FROM A VERTICAL WALL.



| ROOF PITCH | H (MIN.) FT. |
|---------------------|--------------|
| FLAT TO 6/12 | 1.0 |
| 6/12 TO 7/12 | 1.25 |
| OVER 7/12 TO 8/12 | 1.5 |
| OVER 8/12 TO 9/12 | 2.0 |
| OVER 9/12 TO 10/12 | 2.5 |
| OVER 10/12 TO 11/12 | 3.25 |
| OVER 11/12 TO 12/12 | 4.0 |
| OVER 12/12 TO 14/12 | 5.0 |
| OVER 14/12 TO 16/12 | 6.0 |
| OVER 16/12 TO 18/12 | 7.0 |
| OVER 18/12 TO 20/12 | 7.5 |
| OVER 20/12 TO 21/12 | 8.0 |

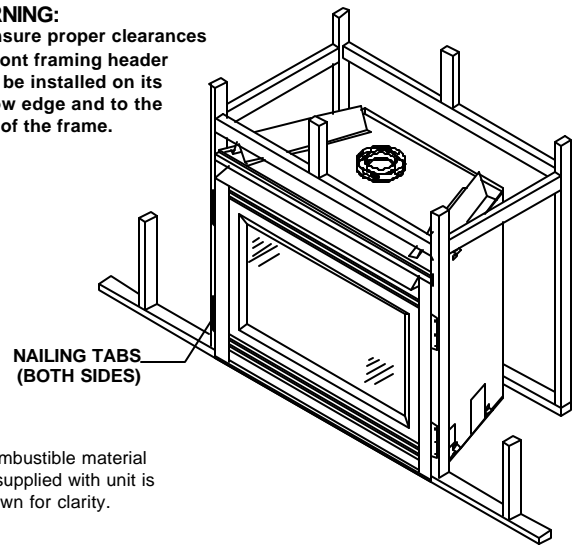
Figure 6. Vent Termination

Step 5. Positioning, Leveling, and Securing the Fireplace

To properly position, level, and secure the fireplace:

- Place the fireplace into position (see Figure 7).
- Level the fireplace from side to side and from front to back.
- Shim the fireplace with non-combustible material, such as sheet metal, as necessary.
- Secure the fireplace to the framing by driving nails or screws through the nailing tabs.

WARNING:
To ensure proper clearances the front framing header must be installed on its narrow edge and to the front of the frame.



NOTE:
Non-combustible material that is supplied with unit is not shown for clarity.

Figure 7. Proper Positioning, Leveling, and Securing of a Fireplace

Step 6. The Gas Control Systems



WARNING: THIS UNIT IS NOT FOR USE WITH SOLID FUEL.

Two types of gas control systems are used with these models: *Standing Pilot Ignition* and *Intermittent Pilot Ignition (IPI)*.

Standing Pilot Ignition System

This system includes millivolt control valve, standing pilot, thermopile/thermocouple flame sensor, and piezo ignitor.



WARNING: 110-120 VAC MUST NEVER BE CONNECTED TO A CONTROL VALVE IN A MILLIVOLT SYSTEM.

Intermittent Pilot Ignition (IPI) System

The IPI system includes a 3V control valve, electronic module, and intermittent pilot.



WARNING: CONTINUOUS 110-120 VAC SERVICE MUST BE WIRED TO THE FIREPLACE JUNCTION BOX.

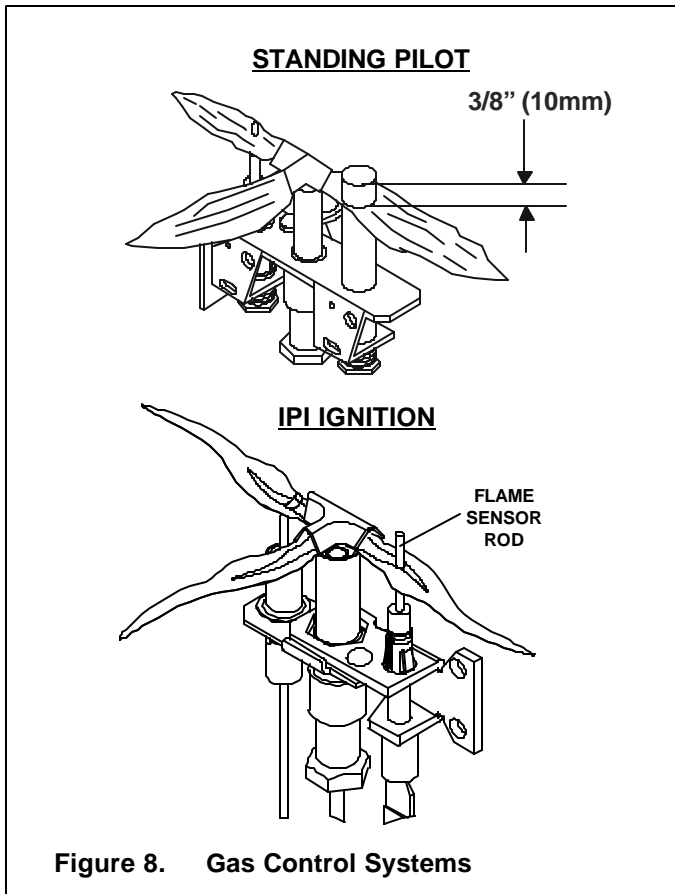


Figure 8. Gas Control Systems

Step 7. The Gas Supply Line

NOTE: Have the gas supply line installed in accordance with local building codes by a qualified installer approved and/or licensed as required by the locality. (In the Commonwealth of Massachusetts installation must be performed by a licensed plumber or gas fitter).

NOTE: Before the first firing of the fireplace, the gas supply line should be purged of any trapped air.

NOTE: Consult local building codes to properly size the gas supply line leading to the 1/2 inch (13 mm) hook-up at the unit.

This gas fireplace is designed to accept a 1/2 inch (13 mm) gas supply line. To install the gas supply line:

- A listed (and Commonwealth of Massachusetts approved) 1/2 inch (13mm) tee-handle manual shut-off valve and a listed flexible gas connector are connected to the 1/2 inch (13mm) inlet of the control valve. **NOTE:** If substituting for these components, please consult local codes for compliance.
- Locate the gas line access hole in the outer casing of the fireplace.
- The gas line may be run from either side of the fireplace provided the hole in the outer wrap does not exceed 2" in diameter and it does not penetrate the actual firebox.
- Open the fireplace lower grille, insert the gas supply line through the gas line hole, and connect it to the shut-off valve.
- When attaching the pipe, support the control so that the lines are not bent or torn.

- After the gas line installation is complete, use a commercially available, non-corrosive leak check solution to carefully check all gas connections for leaks. ◆



WARNING: DO NOT USE AN OPEN FLAME TO CHECK FOR GAS LEAKS.

- Insert insulation from the outside of the fireplace and pack the insulation tightly to totally seal between the pipe and the outer casing.
- At the gas line access hole the gap between the supply piping and gas access hole can be plugged with non-combustible insulation to prevent cold air infiltration.

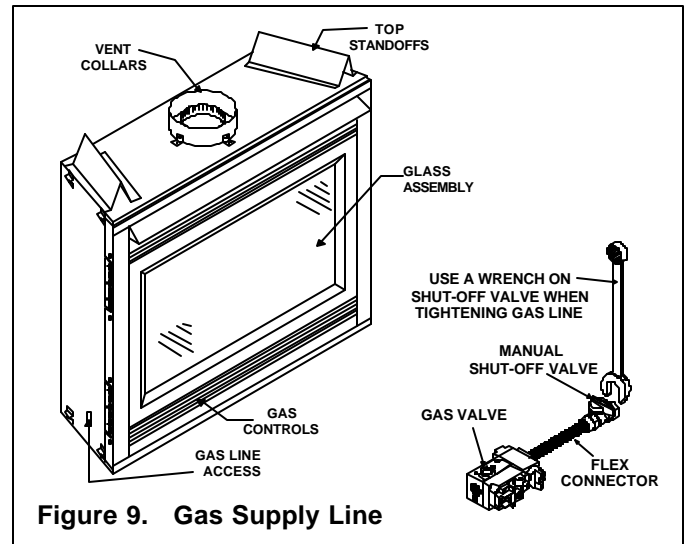


Figure 9. Gas Supply Line

Step 8. Gas Pressure Requirements

Pressure requirements for Heat-N-Glo gas fireplaces are shown in the table below.

| Pressure | Natural Gas | Propane |
|----------------------------|------------------|------------------|
| Minimum Inlet Pressure | 5.0 inches w.c. | 11.0 inches w.c. |
| Maximum Inlet Gas Pressure | 14.0 inches w.c. | 14.0 inches w.c. |
| Manifold Pressure | 3.5 inches w.c. | 10.0 inches w.c. |

The tap for the manifold and inlet pressures are on the face of the gas control valve. Remove the control panel covering the valve. Use a small screwdriver to crack open the screw in the center of the tap. Position a rubber hose over the tap to obtain the pressure reading.

The fireplace and its individual shut-off valve must be disconnected from the gas supply piping system during any pressure testing of the system at test pressures in excess of one-half (1/2) psig (3.5 kPa).

The fireplace must be isolated from the gas supply piping system by closing its individual shut-off valve during any pressure testing of the gas supply piping system at test pressures equal to or less than one-half (1/2) psig (3.5 kPa).

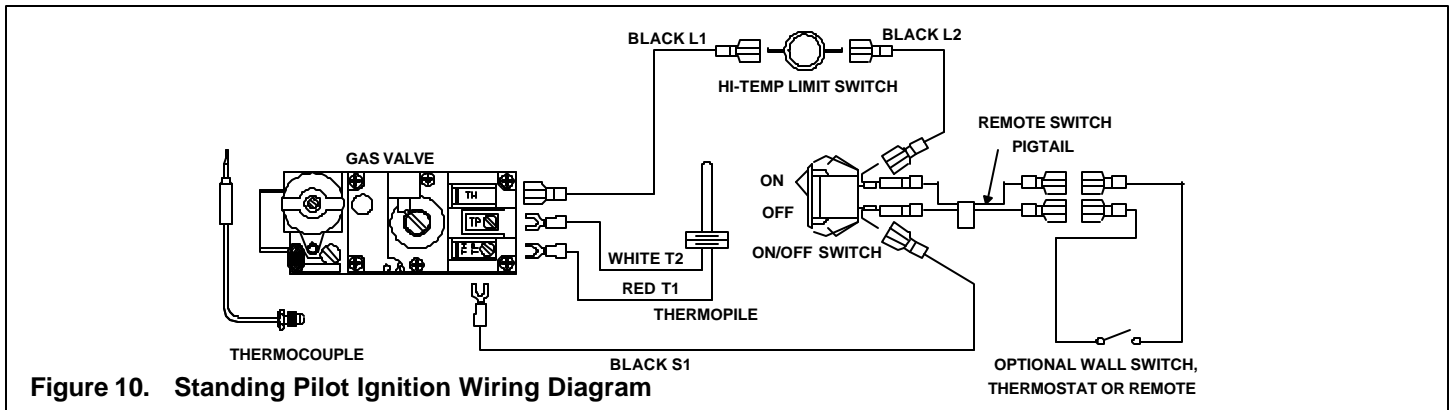


Figure 10. Standing Pilot Ignition Wiring Diagram

Step 9. Wiring the Fireplace

NOTE: Electrical wiring must be installed by a licensed electrician.

CAUTION: DISCONNECT REMOTE CONTROLS IF ABSENT FOR EXTENDED TIME PERIODS. THIS WILL PREVENT ACCIDENTAL FIREPLACE OPERATION.

For Standing Pilot Ignition Wiring Appliance Requirements

- This appliance **DOES NOT** require 110-120 VAC to operate.



WARNING: DO NOT CONNECT 110-120 VAC TO THE GAS CONTROL VALVE OR THE APPLIANCE WILL MALFUNCTION AND THE VALVE WILL BE DESTROYED.

Wall Switch

Position the wall switch in the desired position on a wall. Run a maximum of 25 feet (7.8 m) or less length of 18 A.W.G. minimum wire and connect it to the fireplace ON/OFF switch pigtails.



WARNING: DO NOT CONNECT 110-120 VAC TO THE WALL SWITCH OR THE CONTROL VALVE WILL BE DESTROYED.

CAUTION: LABEL ALL WIRES PRIOR TO DISCONNECTION WHEN SERVICING CONTROLS. WIRING ERRORS CAN CAUSE IMPROPER AND DANGEROUS OPERATION. VERIFY PROPER OPERATION AFTER SERVICING.

Optional Accessories

Optional fan and remote control kits require that 110-120 VAC be wired to the factory installed junction box before the fireplace is permanently installed.

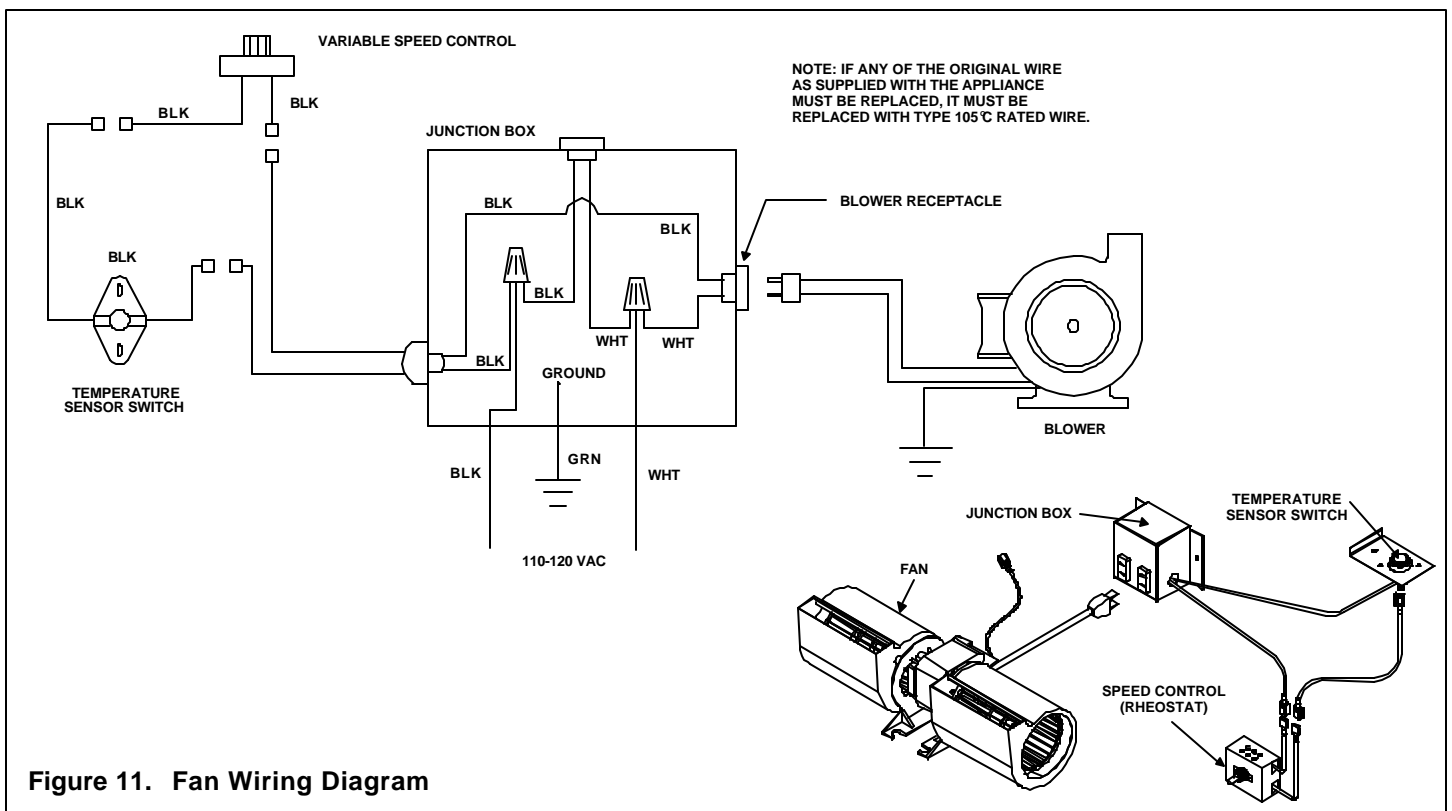


Figure 11. Fan Wiring Diagram

For Intermittent Pilot Ignition (IPI) Wiring

3 Volt Transformer

This appliance comes with a 3 volt transformer found in the manual bag. Plug the transformer leads to the green control module (see Figure 12). Then plug the transformer into the side outlet on the junction box.

Appliance Requirements

This appliance requires that 110-120 VAC be wired to the junction box included in the manual bag assembly. Maintain correct polarity when wiring the junction box.

The junction box is installed by sliding one tab of the box through the slot on the lower right side of the outer wrap and driving a screw through the other tab into the pilot hole on the outer wrap.

Operation using Battery Power

This fireplace has an optional battery operation. The system is fully functional with the use of two "D" size batteries without ordinary 110-120 VAC power.

Wiring to the battery pack should be left disconnected in order to conserve battery life. In the case of a loss of power, simply connect red and black wire leads to activate battery power (connect red to red, black to black). The fireplace can be used as necessary. Once power (110 VAC) is restored, disconnect red and black wire leads to extend battery life.

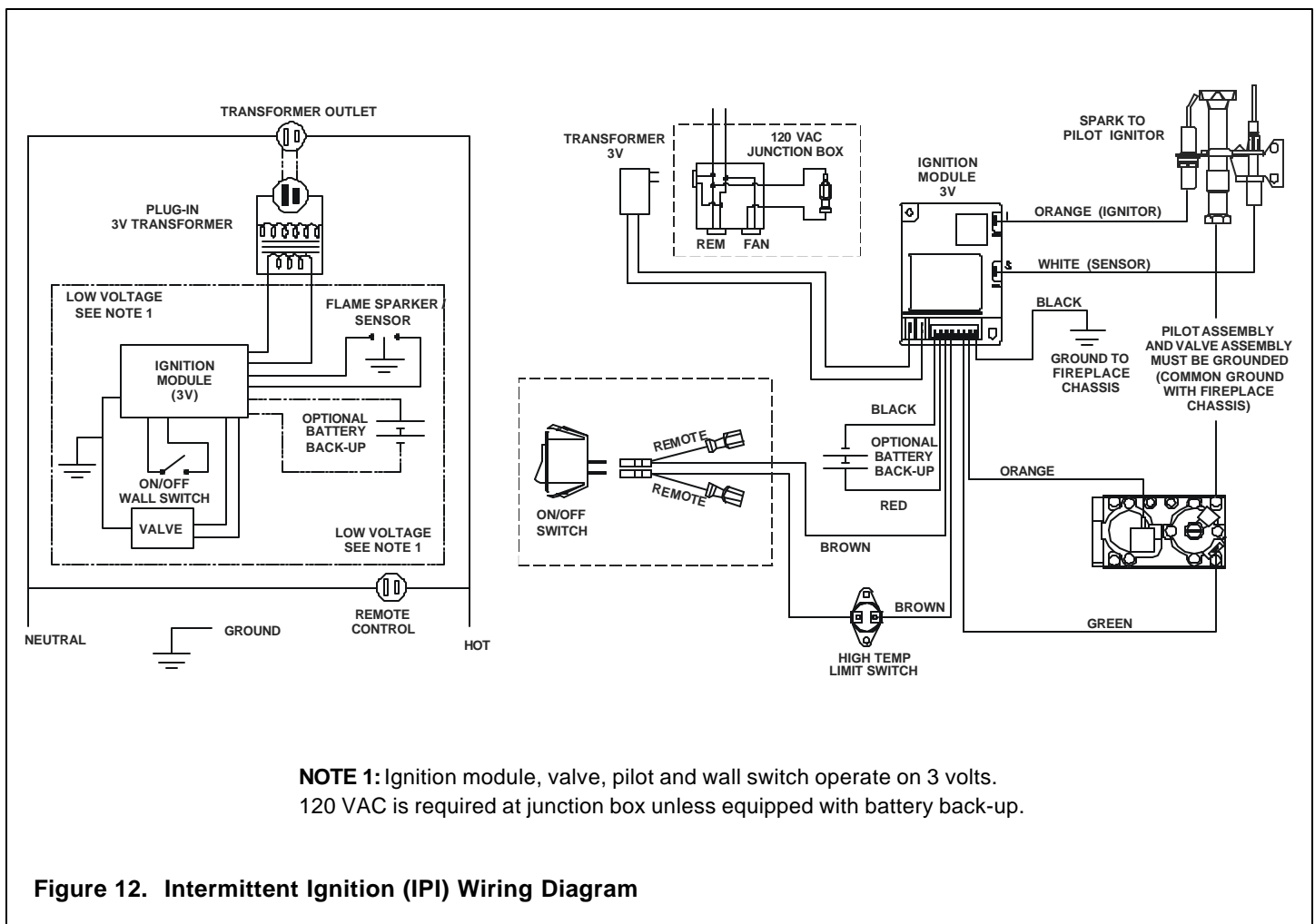
Optional Accessories

Optional fan and remote control kits require that 110-120 VAC be wired to the fireplace junction box.

Wall Switch

Position the switch in the desired position on a wall. Run a maximum of 25 feet (7.8 m) or less of 16 A.W.G. minimum wire and connect it to the fireplace ON/OFF switch pigtails.

CAUTION: LABEL ALL WIRES PRIOR TO DISCONNECTION WHEN SERVICING CONTROLS. WIRING ERRORS CAN CAUSE IMPROPER AND DANGEROUS OPERATION. VERIFY PROPER OPERATION AFTER SERVICING.



Step 10. Finishing

Figure 13 shows the minimum vertical and corresponding maximum horizontal dimensions of fireplace mantels or other combustible projections above the top front edge of the fireplace. See Figures 2 and 3 for other fireplace clearances. Only non-combustible materials may be used to cover the black fireplace front.



WARNING: WHEN FINISHING THE FIREPLACE, NEVER OBSTRUCT OR MODIFY THE AIR INLET/OUTLET GRILLES IN ANY MANNER.

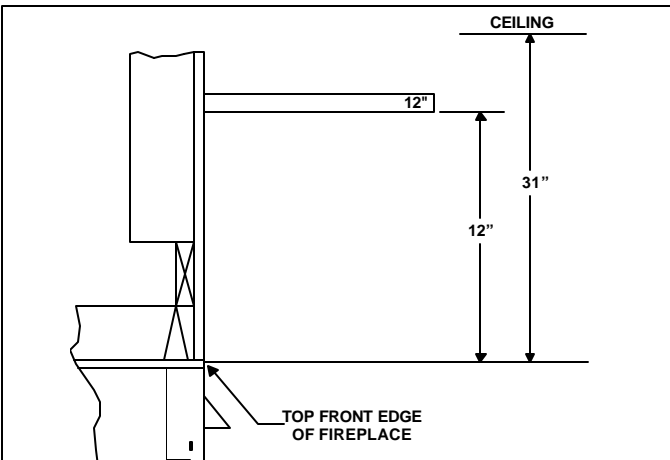


Figure 13.
Minimum Vertical and Maximum Horizontal Dimensions of Combustibles above Fireplace

CAUTION: IF JOINTS BETWEEN THE FINISHED WALLS AND THE FIREPLACE SURROUND (TOP AND SIDES) ARE SEALED, A 300° F. MINIMUM SEALANT MATERIAL MUST BE USED. THESE JOINTS ARE NOT REQUIRED TO BE SEALED. ONLY NON-COMBUSTIBLE MATERIAL (USING 300° F. MINIMUM ADHESIVE, IF NEEDED) CAN BE APPLIED AS FACING TO THE FIREPLACE SURROUND. SEE THE DIAGRAM BELOW.

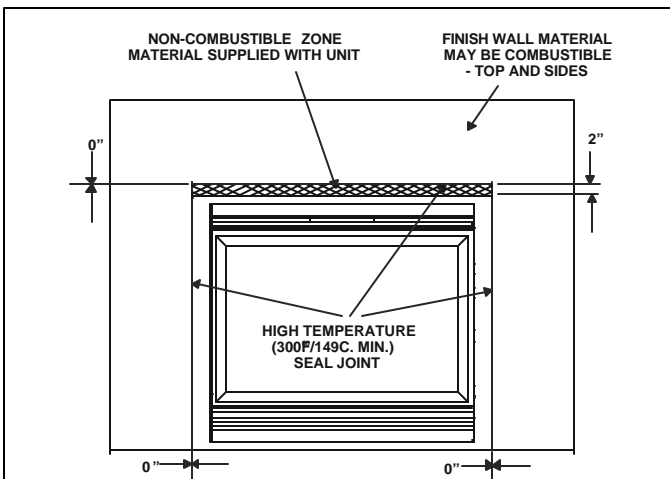


Figure 14. Sealant Material

Hearth Extensions

A hearth extension may be desirable for aesthetic reasons. However, ANSI or CAN/CGA testing standards **do not** require hearth extensions for gas fireplace appliances.

Step 11. Installing Trim, Logs, and Ember Material

Installing the Trim

Combustible materials may be brought up to the specified clearances on the side and top front edges of the fireplace, but **MUST NEVER** overlap onto the front face. The joints between the finished wall and the fireplace top and sides can only be sealed with a 300° F (149° C) minimum sealant.



WARNING: WHEN FINISHING THE FIREPLACE, NEVER OBSTRUCT OR MODIFY THE AIR INLET/OUTLET GRILLES IN ANY MANNER.

Install optional marble and brass trim surround kits as desired. Marble, brass, brick, tile, or other non-combustible materials can be used to cover up the gap between the sheet rock and the fireplace.

Do not obstruct or modify the air inlet/outlet grilles. When overlapping on both sides, leave enough space so that the bottom grille can be lowered and the trim door removed.

Positioning the Logs

If the gas logs have been factory installed they should not need to be positioned. If the logs have been packaged separately, refer to the instructions that accompany the logs. **Save the log instructions with this manual.**

If sooting occurs, the logs might need to be repositioned slightly to avoid excessive flame impingement.

Shutter Setting

| | NG | LP |
|--------|------|------|
| Burner | 3/8" | 1/2" |

Placing the Ember Material

Ember material is shipped with this gas fireplace.

To place the ember material:

- Pull the four glass latches off of the tabs on the glass frame. Remove glass door from the unit (see Figure 15).
- Embers **CANNOT** be placed directly over ports. Care should be taken not to cover the lighting trail of ports (from back to front).
- When placing Glowing embers onto the burner care should be taken so that the ports are not covered. Place the embers along side the port trail, but not on or in between the ports. Failure to follow this procedure will likely cause lighting and sooting problems.
- Save the remaining ember materials for use during fireplace servicing. The bag of embers provided is sufficient for 3 to 5 applications.
- Replace the glass door and a front trim door on the unit.
- Pull out and latch the glass clips onto the tabs on the glass frame.

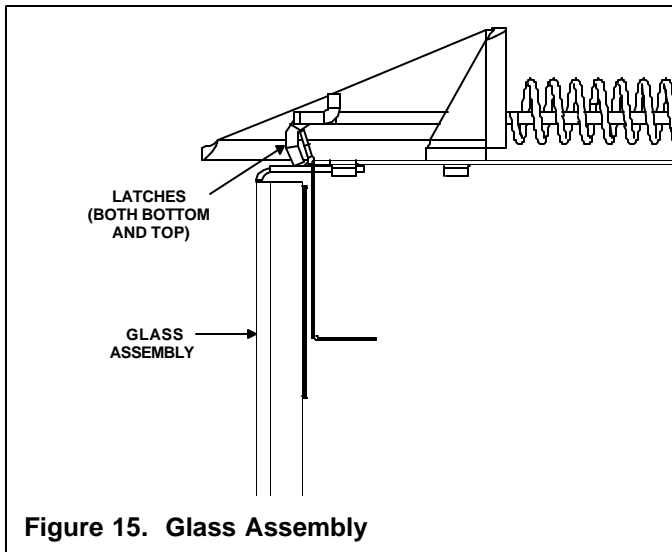


Figure 15. Glass Assembly

Glass Specifications: TEMPERED

Heat-N-Glo fireplaces manufactured with tempered glass may be installed in hazardous locations such as bathtub enclosures as defined by the CPSC. The tempered glass has been tested and certified to the requirements of ANSI Z97.1-1984 and CPSC 16 CFR 1202. (Safety Glazing Certification Council SGCC # 1595 and 1597. Architectural Testing, Inc. Reports 02-31919.01 and 02-31917.01.)

This statement is in compliance with CPSC 16 CFR Section 1201.5 "Certification and labeling requirements" which refers to 15 USC 2063 stating "...Such certificate shall accompany the product or shall otherwise be furnished to any distributor or retailer to whom the product is delivered."

Some local building codes require the use of tempered glass with permanent marking in such locations. Glass meeting this requirement is available from the factory. Please contact your dealer or distributor to order.

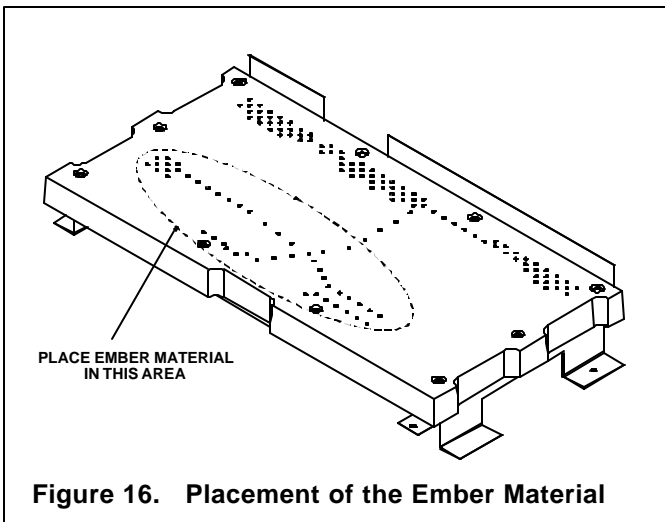


Figure 16. Placement of the Ember Material

Step 12. Before Lighting the Fireplace

Before lighting the fireplace, be sure to do the following:

Remove all paperwork from underneath the fireplace.

Review safety warnings and cautions

- Read the **Safety and Warning Information** section at the beginning of this *Installers Guide*.

Double-check for gas leaks

- Before lighting the fireplace, double-check the unit for possible gas leaks.

Double-check vent terminations and front grilles for obstructions.

- Before lighting the fireplace, double-check the unit for possible obstructions that could be blocking the vent terminations or the front grilles.

Double-check for faulty components

- Any component that is found to be faulty **MUST BE** replaced with an approved component. Tampering with the fireplace components is **DANGEROUS** and voids all warranties.

A small amount of air will be in the gas supply lines. When first lighting the fireplace, it will take a few minutes for the lines to purge themselves of this air. Once the purging is complete, the fireplace will light and will operate normally.

Subsequent lightings of the fireplace will not require this purging of air from the gas supply lines, **unless the gas valve has been turned to the OFF position**, in which case the air would have to be purged.

NOTE: The fireplace should be run 3 to 4 hours on the initial start-up. Turn it off and let it cool completely. Remove and clean the glass. Replace the glass and run the fireplace for an additional 8 hours. This will help to cure the chemicals used in the paint and logs.

During this break-in period it is recommended that some windows in the house be opened for air circulation. This will help avoid setting off smoke detectors, and help eliminate any odors associated with the fireplace's initial burning.

Step 13. Lighting the Fireplace

You've reviewed all safety warnings, you've checked the fireplace for gas leaks, you know the vent system is unobstructed, and you've checked for faulty components. Now you're ready to light the fireplace.

⚠ WARNING: PLEASE REFER TO THE USER'S MANUAL FOR ALL CAUTIONS, SAFETY, AND WARNING INFORMATION PERTAINING TO THE LIGHTING AND OPERATION OF THE FIREPLACE.

After the Installation

⚠ LEAVE THIS INSTALLATION MANUAL WITH THE APPLIANCE FOR FUTURE REFERENCE.

4

Maintaining and Servicing Your Fireplace

Fireplace Maintenance

Although the frequency of your fireplace servicing and maintenance will depend on use and the type of installation, you should have a qualified service technician perform an appliance check-up at the beginning of each heating season. See the table below for specific guidelines regarding each fireplace maintenance task.

IMPORTANT: TURN OFF THE GAS BEFORE SERVICING YOUR FIREPLACE.

Replacing old ember material

Frequency: Once annually, during the checkup.

By: Qualified service technician.

Task: Brush away loose ember material near the burner. Replace old ember material with new dime-size and shape pieces of Golden Ember (GE-93) and Glowing Ember (050-721). New ember material should be placed alternately on top of the burner - a layer of Golden Ember, a layer of Glowing Ember, and so on. Save the remaining ember material and repeat this procedure at your next servicing. For more information, see **Placing Ember Material**.

Cleaning Burner and Controls

Frequency: Once annually.

By: Qualified service technician.

Task: Brush or vacuum the control compartment, fireplace logs and burner areas surrounding the logs.

Cleaning Flame Sensor Rod (IPI Systems)

Frequency: Annually.

By: Qualified service technician.

Task: Make a visual check of the straight flame sensor rod (see Figure 33). Use emery cloth to carefully remove any existing film or white deposits.

Checking Flame Patterns, Flame Height

Frequency: Periodically.

By: Qualified service technician/Home owner.

Task: Make a visual check of your fireplace's flame patterns. Make sure the flames are steady - not lifting or floating. See Figure 17. The flame sensor (DSI) or thermopile/thermocouple (standing pilot) tips should be covered with flame. See Figure 8.

MAKE SURE THE FLAMES ARE STEADY—NOT LIFTING OR FLOATING.

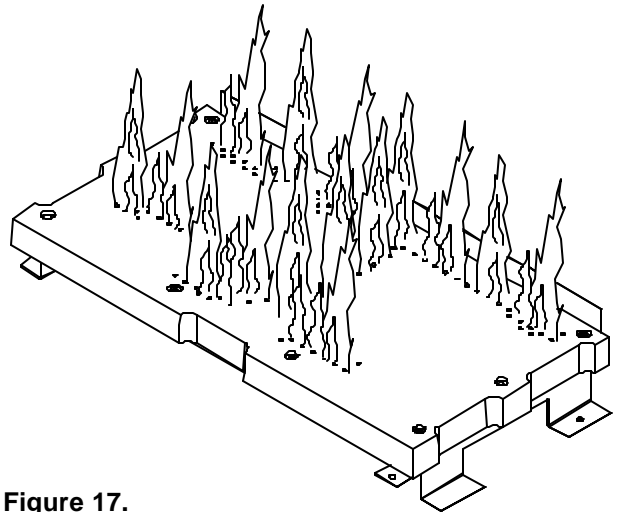


Figure 17.
Burner Flame Patterns

Checking Vent System

Frequency: Before initial use and at least annually thereafter, more frequently if possible.

By: Qualified service technician/Home owner.

Task: Inspect the external vent cap on a regular basis to ensure that no debris is interfering with the flow of air. Inspect entire vent system for proper function.

Cleaning Glass Door

Frequency: After the first 3 to 4 hours of use. As necessary after initial cleaning.

By: Home owner.

Task: Remove and clean glass after the first 3 to 4 hours of use. After the initial cleaning, clean as necessary, particularly after adding new ember (flame colorant) material. Film deposits on the inside of the glass door should be cleaned off using a household glass cleaner. **NOTE: DO NOT handle or attempt to clean the door when it is hot and DO NOT use abrasive cleaners.**

Free Manuals Download Website

<http://myh66.com>

<http://usermanuals.us>

<http://www.somanuals.com>

<http://www.4manuals.cc>

<http://www.manual-lib.com>

<http://www.404manual.com>

<http://www.luxmanual.com>

<http://aubethermostatmanual.com>

Golf course search by state

<http://golfingnear.com>

Email search by domain

<http://emailbydomain.com>

Auto manuals search

<http://auto.somanuals.com>

TV manuals search

<http://tv.somanuals.com>