

User's ▶▶▶▶▶ Manual

**24-Port 10/100 Layer 2 Managed Switch
(Intelligent) + 2-Port Gigabit Module Slot**

HGMS224



Website: www.hawkingtech.com
E-Mail: techsupport@hawkingtech.com
Copyright © 2003 Hawking Technologies, Inc. All rights reserved.

FCC Warning

This equipment has been tested and found to comply with the limits for a Class A digital device, pursuant to Part 15 of the FCC Rules. These limitations are designed to provide reasonable protection against harmful interference in a residential installation. This equipment generates, uses and can radiate radio frequency energy and, if not installed and used in accordance with the instructions, may cause harmful interference to radio communications. However, there is no guarantee that interference will not occur in a particular installation. If this equipment does cause harmful interference to radio or television reception, which can be determined by turning the equipment off and on, the user is encouraged to try to correct the interference by one or more of the following measures:

- Reorient or relocate the receiving antenna.
- Increase the separation between the equipment and receiver.
- Connect the equipment into a different outlet from the one that the receiver is connected to.
- Consult your local distributors or an experienced radio/TV technician for help.
- Shielded interface cables must be used in order to comply with emission limits.

Changes or modifications to the equipment, which are not approved by the party responsible for compliance, could affect the user's authority to operate the equipment.

CE Mark Warning

This equipment complies with the requirements relating to electromagnetic compatibility, EN 55022 class A for ITE, the essential protection requirement of Council Directive 89/336/EEC on the approximation of the laws of the Member States relating to electromagnetic compatibility.

LIMITED WARRANTY

Hawking Technology guarantees that every HGMS224 24-Port 10/100M Layer 2 Managed Switch (Intelligent) + 2-Port Gigabit Module Slot is free from physical defects in material and workmanship under normal use for two (2) years from the date of purchase. If the product proves defective during this two-year warranty period, call Hawking Customer Service in order to obtain a Return Authorization number. The warranty is for repair or replacement only. Hawking Technology does not issue any refunds. BE SURE TO HAVE YOUR PROOF OF PURCHASE. RETURN REQUESTS CANNOT BE PROCESSED WITHOUT PROOF OF PURCHASE. When returning a product, mark the Return Authorization number clearly on the outside of the package and include your original proof of purchase.

IN NO EVENT SHALL HAWKING TECHNOLOGY'S LIABILITY EXCEED THE PRICE PAID FOR THE PRODUCT FROM DIRECT, INDIRECT, SPECIAL, INCIDENTAL OR CONSEQUENTIAL DAMAGES RESULTING FROM THE USE OF THE PRODUCT, ITS ACCOMPANYING SOFTWARE OR ITS DOCUMENTATION. Hawking Technology makes

no warranty or representation, expressed, implied or statutory, with respect to its products or the contents or use of this documentation and all accompanying software, and specifically disclaims its quality, performance, merchantability, or fitness for any particular purpose. Hawking Technology reserves the right to revise or update its products, software, or documentation without obligation to notify any individual or entity. Please direct all inquiries to: techsupport@hawkingtech.com.



Table of Contents

HGMS224 24-Port 10/100 + 2-Port Gigabit Module Managed Switch

1. Introduction	7
2. Package Contents	8
3. Hardware Installation	9
4. Initial Setup for Management	11
4.1 Out-of-band Terminal Mode Configuration	11
4.2 In-band Management through Ethernet	12
4.3 Telnet Management	14
5. Web Management	16
5.1 Web Management Home Page Overview	16
5.2 Port Status	17
5.3 Port Statistics	19
5.4 Administrator	20
5.4.1 IP Address/Subnet Mask/Gateway	20
5.4.2 Switch Settings	21
5.4.2.1 Basic	21
5.4.2.2 Module Info	22
5.4.2.3 Advanced	22
5.4.3 Console Port Information	25
5.4.4 Port Controls	26
5.4.5 Trunking	28
5.4.5.1 Aggregator Setting	28
5.4.5.2 Aggregator Information	29
5.4.5.3 State Activity	31
5.4.6 Filter Database	32
5.4.6.1 IGMP Snooping	32
5.4.6.2 Static MAC Address	34
5.4.6.3 MAC Filtering	35
5.4.7 VLAN Configuration	36
5.4.7.1 Port-based VLAN	38
5.4.7.2 802.1Q VLAN	39
5.4.8 Spanning Tree	43
5.4.9 Port Sniffer	46



Table of Contents

HGMS224 24-Port 10/100 + 2-Port Gigabit Module Managed Switch

5.4.10 SNMP/Trap Manager	48
5.4.11 Security Manager	49
5.4.12 802.1x Configuration	50
5.4.13 Web Cluster	53
5.5 TFTP Firmware Update	55
5.6 Configuration Backup	56
5.6.1 TFTP Restore Configuration	56
5.6.2 TFTP Backup Configuration	56
5.7 Reset System	57
5.8 Reboot	57
6. Console – Firmware Update	58
7. Out-of-band Management	61
7.1 Main Menu	62
7.2 Switch Static Configuration	63
7.2.1 Port Configuration	64
7.2.2 Trunk Configuration	66
7.2.3 VLAN Configuration	68
7.2.3.1 Create a VLAN Group	70
7.2.3.2 Edit/Delete a VLAN Group	72
7.2.3.3 Group Sorted Mode	73
7.2.4 Miscellaneous Configuration	75
7.2.4.1 MAC Age Interval	76
7.2.4.2 Broadcast Storm Filtering	77
7.2.4.3 Max Bridge Transmit Delay Bound	77
7.2.4.4 Port Security	78
7.2.4.5 Collisions Retry Forever	79
7.2.5 Administration Configuration	81
7.2.5.1 Change Username	82
7.2.5.2 Change Password	82
7.2.5.3 Device Information	83
7.2.5.4 IP Configuration	83
7.2.6 Port Mirroring Configuration	84
7.2.7 Priority Configuration	85
7.2.7.1 Port Static Priority	85
7.2.7.2 802.1p Priority Configuration	86



Table of Contents

HGMS224 24-Port 10/100 + 2-Port Gigabit Module Managed Switch

7.2.8 MAC Address Configuration	87
7.2.8.1 Static MAC Address	87
7.2.8.2 Filtering MAC Address	91
7.3 Protocol Related Configuration	95
7.3.1 Spanning-Tree Protocol	95
7.3.1.1 Enabling STP	96
7.3.1.2 STP System Configuration	97
7.3.1.3 Per Port Configuration	98
7.3.2 SNMP	99
7.3.2.1 System Options	100
7.3.2.2 Community Strings	101
7.3.2.3 Trap Managers	104
7.3.3 GVRP	107
7.3.4 IGMP	108
7.3.4.1 LACP (Link Aggregation Control Protocol)	109
7.3.4.2 Working Port Setting	109
7.3.4.3 State Activity	110
7.3.4.4 LACP Status	111
7.3.5 802.1x Protocol	112
7.3.5.1 Enable 802.1x	113
7.3.5.2 802.1x System Configuration	113
7.3.5.3 802.1x Miscellaneous Configuration	114
7.4 Status and Counters	115
7.4.1 Port Status	116
7.4.2 Port Counters	117
7.4.3 System Information	118
7.5 Reboot Switch	119
7.5.1 Default	119
7.5.2 Restart	119
7.6 TFTP Firmware Update	120
7.6.1 TFTP Firmware Update	121
7.6.2 Restore Configure File	121
7.6.3 Backup Configure File	123
8. Application Examples	125
8.1 VLAN Application Used with Switch	125
8.2 Trunking Application Used with Switch	128



Introduction

HGMS224 24-Port 10/100 + 2-Port Gigabit Module Managed Switch

Hawking Technologies' HGMS224 24-Port 10/100 Layer 2 Managed Switch (*Intelligent*) + 2-Port Gigabit Module Slot is a high performance, web-managed SNMP (simple network management protocol) Layer 2 switch that provides users with (24) 10/100Mbps Ethernet ports and (2) 1000Mbps gigabit ports. The switch features SNMP management and remote control capabilities such as "Web Cluster". The gigabit module (available in copper media or fiber media by special order) supports the 1000BASE-SX, 1000BASE-LX or 1000BASE-T standards, thus allowing you to increase your network response times to gigabit speeds, as well as improve flexibility. In addition, an RS-232 serial port provides an easy medium for installation and initial set-up.

All ports are capable of non-blocking and maximum wire speed performance. The HGMS224 supports auto-negotiation and auto-MDIX technology on all 24 switched RJ-45 ports and both gigabit copper ports in both half and full duplex modes. The auto-MDIX function enables the use of either standard or crossover cables for connection with other devices.

The switch provides a convenient way to control Layer 2 management via a web browser. The user-friendly drop-down menu allows you to easily learn, control and monitor the switch. It supports not only traditional SNMP function, but also RMON (remote monitoring) 1,2,3,9 groups for advanced network analysis. A new tool called "Web Cluster" can also be used to manage the switch easily and efficiently. Using this tool, all switches can be managed via a single master switch.

The HGMS224 also supports both port-based and tag-based VLANs. To increase bandwidth, the switch supports 7 groups with up to 4-port trunking capabilities. These trunk ports utilize the fair-over function to provide back up when one or more ports malfunction.

Complete front access design and a full LED status display simplify your installation, inspection, and maintenance efforts within rack mount environments. Two extra LEDs display fan status for quick diagnosis of over-heating issues.



Package Contents

HGMS224 24-Port 10/100 + 2-Port Gigabit Module Managed Switch

The complete HGMS224 package consists of:

- One HGMS224 24-Port 10/100 Layer 2 Managed Switch (*Intelligent*) + 2-Port Gigabit Module Slot
- Rack mount kit: 2 mounting brackets and screws
- Four rubber feet with adhesive backing
- One AC power cord
- One RS-232 cable
- One user's manual
- One CD

Check to make sure that the unit was not damaged during shipping and that no items are missing. If you encounter a problem, please contact your dealer.

Please read this user's manual thoroughly, and follow the installation and operation procedures in the following pages.



Hardware Installation

HGMS224 24-Port 10/100 + 2-Port Gigabit Module Managed Switch

Please follow the guidelines below when choosing a location to install the switch:

- The surface must support at least 3 kg. Do not place heavy objects on the switch.
- Visually inspect the power cord and AC power connector.
- Make sure that there is proper heat dissipation from and adequate ventilation around the switch.

Desktop or Shelf Installation:

When installing the switch on a desktop or shelf, it is recommended that you secure to the unit the four rubber feet that are included with the package. Attach these cushioning feet to each of the four corners at the bottom of the device. Allow adequate space for ventilation between the device and the objects around it.

Rack Installation:

The switch can be mounted on a standard-sized, 19-inch rack that can be placed in a wiring closet with other equipment. To install, attach the mounting brackets to the side panels of the switch and secure them with the screws provided. Then, use the screws provided with the *equipment rack* to mount the switch on the rack.

Power on:

The switch features a built-in AC power supply and operates within the following range: 90-260V AC, 50-60Hz. The AC power connector is located at the rear of the unit. The switch's power supply will adjust to the local power source automatically and may be turned on without having any or all LAN segment cables connected.

After the power switch is turned on, the LED indicators should respond as follows:

- All LED indicators will blink for a few moments. The blinking LEDs indicate a reset of the system.
- The "Power" LED indicator will blink while the switch loads its onboard software and performs a self-test. After approximately 20 seconds, the LED will light up again to indicate that the switch is ready for use.
- The "100M" and "Link/Activity" LED indicators will remain lit or unlit depending on the status of connection and activity of each port.



Hardware Installation

HGMS224 24-Port 10/100 + 2-Port Gigabit Module Managed Switch

- If the fans are working properly, the “Fan” LEDs will remain unlit. If either or both of the fans stop or fail, the corresponding “Fan” LED(s) will be lit red.

LED Indicators

LED	Color	Status		
		Solid	Blinking	
Power	Green	The device is powered on	N/A	
Diagnostic	Green	Self diagnostic successful	Performing self diagnostic (after power on)	
Cooling Fans	FAN1	Red	Left cooling fan failed	N/A
	FAN2	Red	Right cooling fan failed	N/A
100M (Port 1-24)	Green	100Mbps Fast Ethernet connection speed	N/A	
	Off	10Mbps connection speed	N/A	
10/100/1000Mbps Copper Gigabit Port (Optional Module)				
Top LED	Orange	100Mbps Fast Ethernet connection speed (with Middle LED off)	N/A	
Middle LED	Green	10Mbps Ethernet connection. (with Top LED off)	N/A	
Bottom LED	Green	N/A	TX/RX activity or collision	
Top + Middle LEDs	Orange+Green	1000Mbps Gigabit connection speed	N/A	



Initial Setup for Management

HGMS224 24-Port 10/100 + 2-Port Gigabit Module Managed Switch

There are two ways to perform the initial setup for the Switch:

- a. “Out-of-Band Configuration” - connect your PC’s serial port to the switch’s console port with the included RS-232 serial cable and run the terminal communication program
- b. “In-Band Configuration”- network a PC to the switch and run a web browser or telnet.

The sections below show the instructions on how to perform both operations.

4.1 Out-of-band Terminal-mode Configuration

If you are using Microsoft Windows: boot up the computer, go to “Start”, “Programs”, “Accessories”, “Communications”, and open the “HyperTerminal”. After that follow the instructions below to set up a new terminal connection for the switch. If you are using other communication software, please select the correct COM port and set up the connection properties according to step #3 below.

1. Type in a name for the connection (e.g. SNMP Switch), select an icon for the connection, and click “OK”.
2. Select the COM port that you are using for this connection and click “OK”.
3. Set up the COM port properties by using the information below and click “OK”.
 - Bits Rate per Second = 9600
 - Data Bits = 8
 - Parity = None
 - Stop Bit = 1
 - Flow Control = None
4. Connect the included serial cable from the computer’s COM port to the switch’s console port.
5. Power on the switch and you will see messages displayed on the “HyperTerminal”. The switch’s Power On Self Diagnostic (POSD) takes about 90 seconds. After that, you will see the login screen. If the switch is already powered on and has finished its self-diagnostic, run the terminal communication program and then hit “Enter” to get to the login screen.
6. In the **User name** field, type in “admin” and hit **Enter**.
7. In the **Password** field, type in “123” and hit **Enter**. You are now logged in to the switch’s configuration program.
8. In the lower portion of the screen, you will see descriptions of the navigation keys (e.g., **Tab**, **Spacebar**, and **Enter**). Use these keys to navigate through the configuration program.



Initial Setup for Management

HGMS224 24-Port 10/100 + 2-Port Gigabit Module Managed Switch

```
User Interface
Intelligent 24 + 2 Switch

username :
password :
```

4.2 In-band Configuration through Ethernet

In addition to terminal mode configuration, the switch also supports in-band configuration via a web browser. Web browser configuration is easier than terminal mode configuration because the user can simply connect the network-ready PC to the switch, open the web browser, go to the switch's configuration page (by typing the switch's IP address), and configure the switch by clicking on the subject on the menu.

Before you can access the switch via in-band tools, you must make sure the computer that is connected to the switch has a web browser and the TCP/IP protocol (with valid IP address) is bound to the network adapter. After that, you can either change your computer's IP address to the same class as the switch's IP address, or you can log into the Switch with the "out-of-band" method described in the previous section and configure the Switch's IP address to the same class as your computer's IP address.

Below, is the Switch's *default* IP information:

IP Address: 192.168.223.100

Subnet Mask: 255.255.248.0

Gateway: 192.168.223.254



Initial Setup for Management

HGMS224 24-Port 10/100 + 2-Port Gigabit Module Managed Switch

Modify the Switch's IP Address via the Out-of-Band Method

1. Log into the console (default username: admin, default password: 123).
2. Use the **Tab** key to select (highlight) "Switch Static Configuration" and hit **Enter**.
3. Use the **Tab** key to select "Administration Configuration" and hit **Enter**.
4. Use the **Tab** key to select "IP Configuration" and hit **Enter**.
5. Use the **Tab** key to select "Edit" and hit **Enter**.
6. Use the **Tab** key to highlight "IP Address", enter the desired IP address (e.g., 192.168.1.100), and hit **Enter**.
7. The "Subnet Mask" is now highlighted. Enter the correct subnet mask, and hit **Enter**.
8. Input the gateway address and hit **Enter**.
9. Press and hold the **Ctrl** key and then hit "A" to go to the "Action Menu".
10. Use the **Tab** key to select "Save" and hit **Enter**.
11. The screen will prompt you to "Restart the system..." Turn off the switch, wait for 10 seconds, and then turn the switch's power back on.

After the switch finishes the self-diagnostic, open your computer's web browser and enter the switch's IP address (e.g. <http://192.168.1.100>) in the "Address" field. Then hit **Enter** or click on **Go**, and the switch's configuration page will prompt you to enter a "User Name" and Password" to login.

(Note that the default user name is "admin" and the default password is "123".)

Modify the Network Adapter's IP Address

You can change the network adapter's IP address in the "Properties" section for this device. We suggest that you change the network adapter's IP settings to the following:

IP Address: 192.168.223.101
Subnet Mask: 255.255.248.0

(Note: You do not need to enter the "Gateway" address at this time.)

If necessary, reboot the computer. After the computer finishes rebooting, open the web browser and in the "Address" field, enter <http://192.168.223.100>. Then hit **Enter** or click on **Go**, and the switch's configuration page will prompt you to enter a "User Name" and Password" to log in.

(Note that the default user name is "admin", and the default password is "123".)



Initial Setup for Management

HGMS224 24-Port 10/100 + 2-Port Gigabit Module Managed Switch



4.3 Telnet Management

In addition to local terminal mode operation, the switch supports remote management through Telnet over the network or even over the Internet for browser-less environments. In this mode, before executing the Telnet program, you will again be asked to modify the IP Configuration settings as required for management via a web browser. Again, after changing the settings, save them and connect your Ethernet cable from your PC to any port on the switch. Then, to access the switch, simply follow the prompts in the command lines:

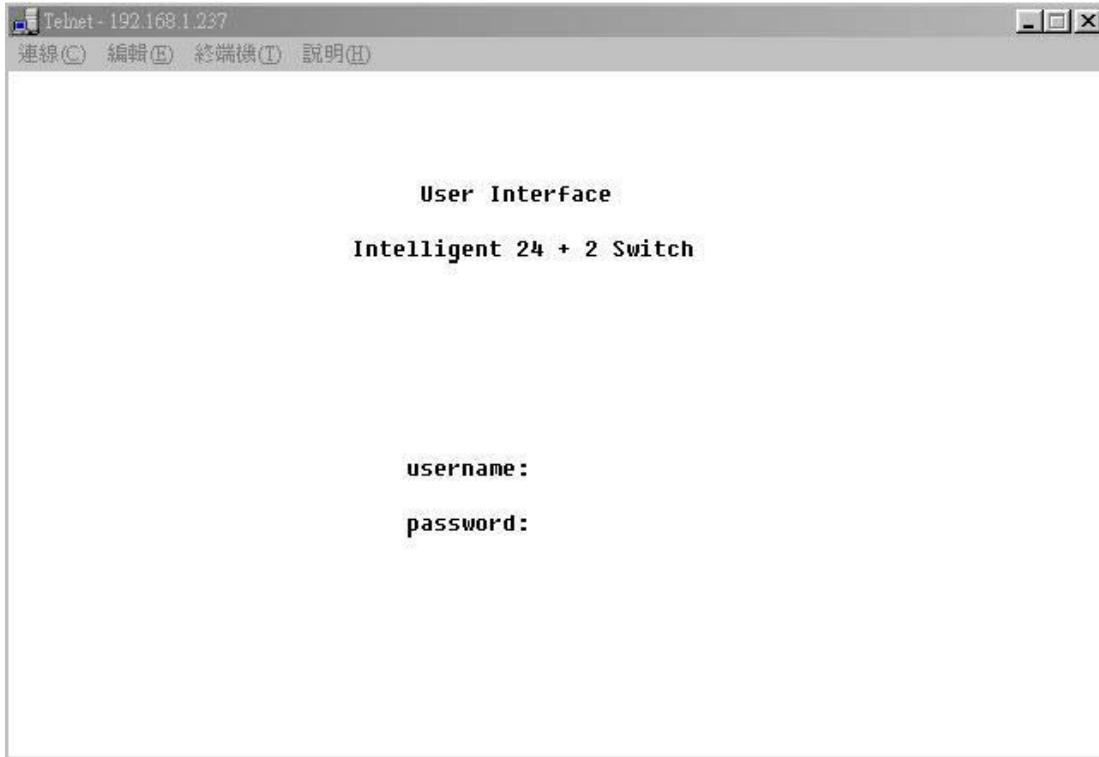
Telnet: IP Address for the Switch

The following dialogue below appears. Input the user name and password to proceed. Please refer to chapter 3 of this manual to for instructions on operation in this mode.



Initial Setup for Management

HGMS224 24-Port 10/100 + 2-Port Gigabit Module Managed Switch





Web Management

HGMS224 24-Port 10/100 + 2-Port Gigabit Module Managed Switch

5.1 Web Management Home Page Overview



From this page, you can view the link status of every port on the switch. If a given port is linked, it will be represented by a **connection icon** (see figure above) within the switch diagram/diagnostic at the top of the page. In the column on the left side of the page, you can click on the function names to monitor and manage the switch. The functions are listed below and their corresponding overviews are provided in the sections immediately following the list:

1. **Port status**
2. **Port Statistics**
3. **Administrator**
4. **TFTP Update Firmware**
5. **Configuration Backup**
6. **Reset System**
7. **Reboot**



5.2 Port Status

This page provides a display of the current status of every port on the switch. The status depends on the user settings and the negotiation results.

Port Status

The following information provides a view of the current status of the unit.

Port	State		Link	Negotiation		Speed		Duplex		Flow Control			Rate Control(100K)		Priority	Security
	Config	Atual		Config	Atual	Config	Atual	Config	Atual	Config		Atual	Ingr	Egr		
										Full	Half					
PORT1	On	On	Down	Auto	Auto	100	100	Full	Full	On	On	On	Off	Off	Disable	Off
PORT2	On	On	Down	Auto	Auto	100	100	Full	Full	On	On	On	Off	Off	Disable	Off
PORT3	On	On	Down	Auto	Auto	100	100	Full	Full	On	On	On	Off	Off	Disable	Off
PORT4	On	On	Down	Auto	Auto	100	100	Full	Full	On	On	On	Off	Off	Disable	Off
PORT5	On	On	Down	Auto	Auto	100	100	Full	Full	On	On	On	Off	Off	Disable	Off
PORT6	On	On	Up	Auto	Auto	100	100	Full	Full	On	On	On	Off	Off	Disable	Off
PORT7	On	On	Down	Auto	Auto	100	100	Full	Full	On	On	On	Off	Off	Disable	Off
PORT8	On	On	Down	Auto	Auto	100	100	Full	Full	On	On	On	Off	Off	Disable	Off
PORT9	On	On	Down	Auto	Auto	100	100	Full	Full	On	On	On	Off	Off	Disable	Off
PORT10	On	On	Down	Auto	Auto	100	100	Full	Full	On	On	On	Off	Off	Disable	Off
PORT11	On	On	Down	Auto	Auto	100	100	Full	Full	On	On	On	Off	Off	Disable	Off
PORT12	On	On	Down	Auto	Auto	100	100	Full	Full	On	On	On	Off	Off	Disable	Off
PORT13	On	On	Down	Auto	Auto	100	100	Full	Full	On	On	On	Off	Off	Disable	Off
PORT14	On	On	Down	Auto	Auto	100	100	Full	Full	On	On	On	Off	Off	Disable	Off
PORT15	On	On	Down	Auto	Auto	100	100	Full	Full	On	On	On	Off	Off	Disable	Off
PORT16	On	On	Down	Auto	Auto	100	100	Full	Full	On	On	On	Off	Off	Disable	Off
PORT17	On	On	Down	Auto	Auto	100	100	Full	Full	On	On	On	Off	Off	Disable	Off
PORT18	On	On	Down	Auto	Auto	100	100	Full	Full	On	On	On	Off	Off	Disable	Off
PORT19	On	On	Down	Auto	Auto	100	100	Full	Full	On	On	On	Off	Off	Disable	Off
PORT20	On	On	Down	Auto	Auto	100	100	Full	Full	On	On	On	Off	Off	Disable	Off

1. **State:** Displays port status: either **disabled or enabled**. “Unlink” will be treated as “off”.
2. **Link Status:** “Down” indicates that the port is not linked, “Up” indicates that the port is linked. (In the figure above, refer to the “Link” column for “PORT6”.)
3. **[Auto]-Negotiation:** Displays the auto-negotiation mode: auto/force/n-way force.
4. **Speed [Status]:** Displays “1000”, “100”, or “10” as corresponding to the speed. Ports 1- 24 are 10/100Mbps; ports 25-26 are 10/100/1000Mbps.
5. **Duplex [Status]:** Displays full-duplex or half-duplex mode.
6. **Flow Control:** “Full”: Displays whether flow control is enabled in full-duplex mode.
“Half”: Displays whether back pressure is enabled in half-duplex mode.



7. **Rate Control (100K):** Displays the rate control setting.
“Ingr”: Displays the port’s effective ingress rate.
“Egr”: Display the port’s effective egress rate.
8. **Port Security:** Display the port security is enabled or disabled.
9. **Config (located beneath the “Flow Control” category) :** Displays the state of the user settings.
10. **Actual:** Displays the negotiation results.

Single Port Counter and Status as Flows

You can also click on any port directly using the diagnostic of the unit’s front panel, located at the top of the page. By doing this, you can view the status of each port individually (see figure below).

Port	6
State	On
Link	Up
Trunking	None
VLAN	DEFAULT
TxGoodPkt	1429
TxBadPkt	0
RxGoodPkt	1701
RxBadPkt	0
TxAbort	0
Collision	0
DropPkt	475



5.3 Port Statistics

This page provides a display of the current status of the entire unit. Press the **Reset** button to clear all counters on this page.

Port Statistics

The following information provides a view of the current status of the unit.

Port	State	Link	TxGoodPkt	TxBadPkt	RxGoodPkt	RxBadPkt	TxAbrt	Collision	DropPkt
PORT1	On	Down	0	0	0	0	0	0	0
PORT2	On	Down	0	0	0	0	0	0	0
PORT3	On	Down	0	0	0	0	0	0	0
PORT4	On	Down	0	0	0	0	0	0	0
PORT5	On	Down	0	0	0	0	0	0	0
PORT6	On	Up	11639	0	13896	0	0	0	4078
PORT7	On	Down	0	0	0	0	0	0	0
PORT8	On	Down	0	0	0	0	0	0	0
PORT9	On	Down	0	0	0	0	0	0	0
PORT10	On	Down	0	0	0	0	0	0	0
PORT11	On	Down	0	0	0	0	0	0	0
PORT12	On	Down	0	0	0	0	0	0	0
PORT13	On	Down	0	0	0	0	0	0	0
PORT14	On	Down	0	0	0	0	0	0	0



5.4 Administrator

Many of the management functions can be set or performed by clicking on **Administrator** in the left column of the page. Once you have clicked on **Administrator**, you will see a menu that includes the following categories:

- ◆ IP Address
- ◆ Switch Settings
- ◆ Console Port Info
- ◆ Port Controls
- ◆ Trunking
- ◆ Filter Database
- ◆ VLAN Configuration
- ◆ Spanning Tree
- ◆ Port Sniffer
- ◆ SNMP
- ◆ Security Manager
- ◆ 802.1x Configuration

5.4.1 IP Address/Subnet Mask/Gateway

You can modify the IP settings by filling in a new value, and then clicking **Apply** to confirm (save) the new settings. You must reboot the switch in order for the new IP settings to be activated. **(Please note that if any of the value are changed in this field, you must reboot the switch.)**

Set IP Addresses

DHCP:

IP Address	192.168.223.100
Subnet_Mask	255.255.255.0
Gateway	192.168.223.254



Web Management

HGMS224 24-Port 10/100 + 2-Port Gigabit Module Managed Switch

5.4.2 Switch Settings

5.4.2.1 Basic

All information in the **Basic** section is read-only. Therefore, you will not be able to modify its contents.

Description: Displays what type of device you are using.


MAC Address: The unique hardware address assigned by the manufacturer (default).

Firmware Version: Displays the firmware version of the switch.

Hardware Version: Displays the hardware version of the switch.

Default Configuration Value Version: Displays the default EEPROM (Electrically Erasable Programmable Read-Only Memory) value version.

Switch Settings



Basic Module Info Advanced

Description	Intelligent 24+2 Switch
MAC Address	004063809988
Firmware version	v2.3
ASIC version	A07.00
PCBA version	v01.00
Serial number	



5.4.2.2 Module Info

All information in the **Module Info** section is read only. Therefore, you will not be able to modify its contents. Its purpose is to display the module card information.

Switch Settings

Basic | **Module Info** | Advanced

	TYPE	DESCRIPTION
Module1	100TX	100TX-approve
Module2	100TX	N/A

5.4.2.3 Advanced

◆ Miscellaneous Settings:

MAC Table Address Entry: Age-out Time: Type in the number of seconds that an inactive MAC address remains in the switch's address table. The valid range is 300-765 seconds. The default is 300 seconds.

Max bridge transit delay bound control: You can limit the queuing time of the packets in the switch. If enabled, and the packets queued exceed the time value that has been set, they will be dropped. The valid values are 1sec, 2 sec, 4 sec and "Off". The default value is 1 second.

NOTE: Make sure that **Max bridge transit delay bound control** is enabled before enabling **Low Queue Delay Bound** because this function is only operable when **Max bridge transit delay bound control** is enabled.



Web Management

HGMS224 24-Port 10/100 + 2-Port Gigabit Module Managed Switch

Broadcast Storm Filter Mode: To configure broadcast storm control, enable it and set the upper threshold for individual ports. The threshold is the percentage of the port's total bandwidth used by broadcast traffic. When broadcast traffic for a port rises above the threshold you set, broadcast storm control becomes active. The valid threshold value are 5%, 10%, 15%, 20%, 25% and "Off".

Switch Settings

Basic Module Info **Advanced**

Enter the settings, then click Submit to apply the changes on this page.

MAC Table Address Entry
Age-Out Time: seconds (300~765, must multiple of 3)

Max bridge transmit delay bound control: ▾

Enable Low Queue Delay Bound ----- Max Delay Time: (1~255, 2ms/unit)

Broadcast Storm Filter Mode: ▾

◆ Priority Queue Service Settings:

First Come First Serve: The sequence of packets sent depends on the order in which they are received.

All High before Low: The high priority packets are sent before low priority packets.

WRR: (Weighted Round Robin). Select the preference given to packets in the switch's high-priority queue. These options represent the number of high-priority packets sent before one low-priority packet is sent. For example, 5 High/2 Low means that the switch sends 5 high priority packets before sending 2 low-priority packets.



Enable Delay Bound: Limit the queuing time of low priority packets in the switch. The default “Max Delay Time” is 255ms. If the low priority packet stays in the switch longer than the “Max Delay Time”, it will be sent. The valid range is 1-255ms.

QoS Policy: High Priority Levels – Priority levels from 0-7 can be mapped to high or low queues.

Collisions Retry Forever:

Disable – In half-duplex, the collision-retry maximum is 48 times, after which the packet will be dropped if collisions continue.

Enable – In half-duplex, collisions will retry forever.

802.1x Protocol: You can enable or disable the 802.1x protocol.

Priority Queue Service:

802.1p Priority

First Come First Service

All High before Low

WRR ----- High weight: Low weight:

Qos Policy: High Priority Levels

Level0 Level1 Level2 Level3 Level4 Level5 Level6 Level7

Collisions Retry Forever : ▼

802.1x Protocol : ▼



Web Management

HGMS224 24-Port 10/100 + 2-Port Gigabit Module Managed Switch

5.4.3 Console Port Information

The Console has a standard UART interface to communicate with the serial port.

You can use the Windows HyperTerminal program to establish a link to the switch.
Connect To -> Configure:

Bits per seconds: 9600

Data bits: 8

Parity: none

Stop Bits: 1

Flow control: none

Console Information	
Baurate(bits/sec)	9600
Data Bits	8
Parity Check	none
Stop Bits	1
Flow Control	none



5.4.4 Port Controls

User may modify or change mode operation in this page.

1. **State:** You can enable or disable the port control for each port.

Port Controls

Port	State	Negotiation		Speed		Duplex		Flow Control			Rate Control (100K)		Priority	Security
		Full	Half	Ingress	Egress									
<div style="border: 1px solid gray; padding: 2px;"> PORT3 ▲ PORT4 ▲ PORT5 ▲ PORT6 ▼ </div>	Enable ▼	Auto ▼	100 ▼	Full ▼	Enable ▼	Enable ▼	0	0	Disable ▼	<input type="checkbox"/>				
<input type="button" value="Apply"/>														

Port	State		Link	Negotiation		Speed		Duplex		Flow Control			Rate Control(100K)		Priority	Security
	Config	Atual		Config	Atual	Config	Atual	Config	Atual	Config			Atual			
				Full	Half			Ingr	Egr							
PORT6	On	On	Up	Auto	Auto	100	100	Full	Full	On	On	On	Off	Off	Disable	Off

2. **Auto Negotiation:** You can set the auto negotiation mode to Auto, N-way (specify the speed/duplex on a specific port and enable auto-negotiation), or Force for each port.
3. **Speed:** You can set the speed at 100Mbps or 10Mbps for Ports 1-24. You can set the speed at 1000Mbps, 100Mbps or 10Mbps for Ports 25& 26 (depending on the module card mode).
4. **Duplex:** You can set each port to either full-duplex or half-duplex mode.
5. **Flow control:**
 - Full:** You can enable or disable the flow control function in full-duplex mode.
 - Half:** You can enable or disable the backpressure function in half-duplex mode.



6. **Rate Control:** Ports 1-24 support ingress and egress rate control for each port. For example, assume that Port 1 is set at 10Mbps. You can set its effective egress rate at 1Mbps and ingress rate at 500Kbps. The device will perform flow control or backpressure to confine the ingress rate to the specified rate.

Ingress: Type the effective ingress rate for a specific port. The valid range is 0 - 1000. The units are 100K.

- i. 0: disables rate control.
- ii. 1 - 1000: valid rate value

Egress: Type the effective egress rate for a specific port. The valid range is 0 - 1000. The units are 100K.

- iii. 0: disable rate control.
- iv. 1 - 1000: valid rate value.

7. **Port Priority:** This field is set at “Disable”, by default. You can set the priority of a specific port to either “High” or “Low”.
8. **Port Security:** A port in security mode will be “locked” without permission of the address learning. Only the incoming packets with SMAC already existing in the address table can be forwarded normally. You can disable the port from learning any new MAC addresses, then use the static MAC addresses screen to define a list of MAC addresses that can use the secure port. Enter the settings, and then click the **Apply** button.



5.4.5 Trunking

The Link Aggregation Control Protocol (LACP) provides a standardized means for:

- exchanging information between partner systems on a link, to allow their Link Aggregation Control instances to reach agreement on the identity of the Link Aggregation Group to which the link belongs,
- moving the link to that Link Aggregation Group, and
- enabling its transmission and reception functions in an orderly manner.

Link aggregation allows you to group up to eight consecutive ports into a single dedicated connection. This feature can expand bandwidth for other devices on the network. **LACP operation requires full-duplex mode.** Please refer to the **IEEE 802.3ad** specifications for more details.

5.4.5.1 Aggregator Setting

Trunking

Aggregator Setting Aggregator information State Activity

System Priority
1

Group ID	Group1	<< Get
Lacp	Enable	
Work Ports	4	
PORT1 PORT2 PORT3 PORT4	<< Add << Remove >>	PORT5 PORT6 PORT7 PORT8 PORT9 PORT10 PORT11 PORT12 PORT13

- System Priority:** A value used to identify the active LACP. The switch with the *lowest* value has the *highest* priority and is selected as the active LACP.



2. **Group ID:** You can configure up to seven trunk groups. Choose the "Group ID" and click "Get".
3. **LACP:** If enabled, the group is an LACP static trunking group. If disabled, the group is a local static trunking group. All ports support LACP dynamic trunking groups. If connecting to a device that also supports LACP, the LACP dynamic trunking group will be created automatically.
4. **Work ports:** Allows a maximum of four ports to be aggregated into each group. If the group is LACP static trunking, the excess ports are standby and able to aggregate if work ports fail. If the group is local static trunking, the number of ports must be the same as the group member ports.
5. Select the desired ports for the trunking group. (Again, the maximum number of ports per group is four.)
6. If LACP is enabled, you can configure LACP Active/Passive status for each port. This can be done in the "State Activity" section.
7. Click Apply.

5.4.5.2 Aggregator Information

When you are configuring LACP aggregator, you can view the vital, corresponding information in this section.

1. The page shown below is displayed when there are no active groups.





Web Management

HGMS224 24-Port 10/100 + 2-Port Gigabit Module Managed Switch

2. The page shown below displays the static trunking groups.

Trunking

[Aggregator Setting](#) | **Aggregator information** | [State Activity](#)

The following information provides a view of LACP current status.

Static Trunking Group	
Group Key	1
Port_No	1 2 3 4

Static Trunking Group	
Group Key	2
Port_No	9 10 11 12

3. The page shown below displays “Actor” and “Partner” trunking.

Trunking

[Aggregator Setting](#) | **Aggregator information** | [State Activity](#)

The following information provides a view of LACP current status.

Group2						
Actor				Partner		
Priority	1			1		
MAC	004063809988			004063808899		
PortNo	Key	Priority	Active	PortNo	Key	Priority
PORT5	514	1	selected	PORT5	514	1
PORT6	514	1	selected	PORT6	514	1
PORT7	514	1	selected	PORT7	514	1
PORT8	514	1	selected	PORT8	514	1



5.4.5.3 State Activity

Active (select): The port automatically sends LACP protocol packets.

N/A (not selected): The port does not automatically send LACP protocol packets, and responds only if it receives LACP protocol packets from the opposite device.

1. A link that either has two active LACP ports, or one active port can perform dynamic LACP trunking. A link that has two “N/A” LACP ports will not perform dynamic LACP trunking because both ports are waiting for an LACP protocol packet from the opposite device.
2. If the port is an active LACP actor, the active status will be created automatically when you select port trunking.

Port	LACP State Activity	Port	LACP State Activity
1	<input checked="" type="checkbox"/> Active	2	<input checked="" type="checkbox"/> Active
3	<input checked="" type="checkbox"/> Active	4	<input checked="" type="checkbox"/> Active
5	N/A	6	N/A
7	N/A	8	N/A
9	<input checked="" type="checkbox"/> Active	10	<input checked="" type="checkbox"/> Active
11	<input checked="" type="checkbox"/> Active	12	<input checked="" type="checkbox"/> Active
13	N/A	14	N/A
15	N/A	16	N/A
17	N/A	18	N/A
19	N/A	20	N/A
21	N/A	22	N/A
23	N/A	24	N/A
25	N/A	26	N/A



5.4.6 Filter Database

5.4.6.1 IGMP Snooping

The switch supports IP multicasting. You can enable the IGMP protocol in the “IGMP Snooping” section. IGMP snooping information is displayed on this page. You can view different multicast groups, VLANs and member ports in this section. IP multicast addresses range from 224.0.0.0 to 239.255.255.255.

Forwarding and Filtering

IGMP Snooping Static MAC Addresses MAC Filtering

Multicast Group

Ip_Address VID MemberPort

224.001.001.002	0	*****g*****
224.001.001.003	0	*****g*****
224.001.001.004	0	*****g*****
224.001.001.005	0	*****g*****
224.001.001.006	0	*****g*****
224.001.001.007	0	*****g*****
224.001.001.008	0	*****g*****
224.001.001.009	0	*****g*****
224.001.001.010	0	*****g*****
224.001.001.011	0	*****g*****

IGMP Protocol:



Web Management

HGMS224 24-Port 10/100 + 2-Port Gigabit Module Managed Switch

The Internet Group Management Protocol (IGMP) is an internal protocol within the Internet Protocol (IP) suite. The IP suite manages multicast traffic by using switches, routers, and hosts that support IGMP. Enabling IGMP allows the ports to detect IGMP queries and report packets, and manage IP multicast traffic through the switch. IGMP has three fundamental types of messages, shown below:

Message	Description
Query	A message sent from the queries (IGMP router or switch) asking for a response from each host belonging to the multicast group.
Report	A message sent by a host to the queries to indicate that the host wants to be or already is a member of a given group cited in the report message.
Leave Group	A message sent by a host to the queries to indicate that the host is no longer a member of a specific multicast group.



5.4.6.2 Static MAC Address

When you add a static MAC address, it remains in the switch's address table, regardless of whether or not the device is physically connected to the switch. This saves the switch from having to re-learn a device's MAC address when the disconnected or powered-off device is active on the network again.

Forwarding and Filtering

IGMP Snooping **Static MAC Addresses** **MAC Filtering**

Static addresses currently defined on the switch are listed below.
Click Add to add a new static entry to the address table.

MAC Address	PORT	VID
-------------	------	-----

Mac Address

Port num

Vlan ID

1. Click on the "Static MAC Addresses" tab.
2. In the MAC address box, enter the MAC address to and from which the port should permanently forward traffic, regardless of the device's network activity.
3. In the "Port num" box, enter a port number.



Web Management

HGMS224 24-Port 10/100 + 2-Port Gigabit Module Managed Switch

4. If tag-based (IEEE 802.1Q) VLANs are set up on the switch, static addresses are associated with individual VLANs. Type in the VID (tag-based VLAN ID) to associate with the MAC address.
5. Click the **Add** button.

5.4.6.3 MAC Filtering

MAC address filtering allows the switch to drop unwanted traffic. Traffic is filtered based on the destination addresses.

MAC Address	Vlan ID
000000000001	1
000000000002	2
000000000003	3

Mac Address

Vlan ID

1. In the MAC Address box, enter the MAC address that you want to filter.
2. If a tag-based (802.1Q) VLAN is set up on the switch, type the VID in the VLAN ID box to associate with the MAC address.
3. Click the **Add** button.
4. Choose any MAC addresses that you want to delete and then click the **Delete** button.



5.4.7 VLAN Configuration

A Virtual LAN (VLAN) is a logical network grouping that limits the broadcast domain. It allows you to isolate network traffic so only members of the VLAN receive traffic from the same VLAN members. Basically, creating a VLAN from a switch is logically equivalent to reconnecting a group of network devices to another Layer 2 switch. However, all the network devices are still physically plugged into the same switch.

The switch supports port-based, 802.1Q (tag-based) and protocol-based VLAN through web management. In the default configuration, VLAN support is disabled.

VLAN Operation Mode:

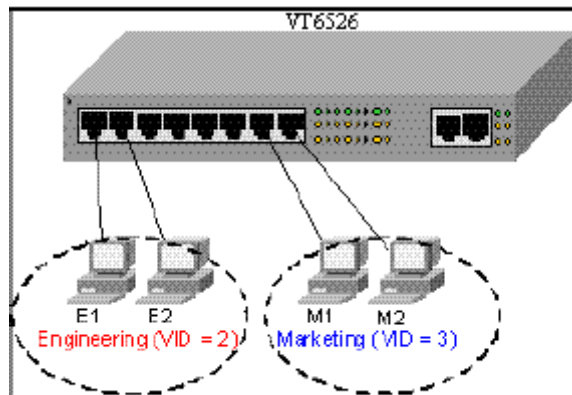
Enable GVRP Protocol

VLAN NOT ENABLE



◆ Port-based VLAN

Packets can only be broadcast among members of the same VLAN group. Note that all unselected ports are treated as belonging to another single VLAN. If the port-based VLAN is enabled, the VLAN-tagging is ignored.





◆ **Tag-based VLAN (IEEE 802.1Q VLAN)**

Tag-based VLAN is an IEEE 802.1Q specification standard. Therefore, it is possible to create a VLAN across devices from different switch vendors. IEEE 802.1Q VLAN uses a technique to insert a “tag” into the Ethernet frames. Tags contain a VLAN Identifier (VID) that indicates the VLAN numbers.

◆ **Protocol-based VLAN**

In order for an end station to send packets to different VLANs, it must either itself be capable of tagging packets it sends with VLAN tags or be attached to a VLAN-aware bridge that is capable of classifying and tagging the packet with different VLAN IDs based not only on default PVID but also on other information about the packet, such as the protocol. The switch will support protocol-based VLAN classification by means of both, built-in knowledge of Layer 2 packet formats used by selected popular protocols, such as Novell IPX and AppleTalk’s EtherTalk, and some degree of programmable protocol matching capability.



5.4.7.1 Port-Based VLAN

VLAN Configuration

VLAN Operation Mode:

Enable GVRP Protocol

VLAN Information

vlan1__1

1. Click **Add** to create a new VLAN group.
2. Enter the VLAN name and group ID, and select the members for the new VLAN.
3. Click **Apply**.
4. If there are more groups than the viewable box can display, you can click **Next Page** to view other VLAN groups.

NOTE:

If the trunk groups already exist, you can view them (ex: TRK1, TRK2...) in the menu of ports (see the section titled, "Basic" in the pages that follow), and you can configure them as the members of a VLAN.



5.4.7.2 Tag-based (IEEE 802.1Q) VLAN

This page, user can create Tag-based VLAN, and enable or disable GVRP protocol. There are 256 VLAN groups to provide configure. Enable 802.1Q VLAN, the all ports on the switch belong to default VLAN, VID is 1. The default VLAN can't be delete.

VLAN Configuration

VLAN Operation Mode: 802.1Q

Enable GVRP Protocol

Basic | [Port VID](#)

VLAN Information

DEFAULT__1

Add Edit Delete PrePage NextPage Help

GVRP (GARP [Generic Attribute Registration Protocol] VLAN Registration Protocol)

GVRP allows automatic VLAN configuration between the switch and corresponding nodes. If the switch is connected to a device with GVRP enabled, you can send a GVRP request using the VID of a VLAN defined on the switch. The switch will automatically add the device to the existing VLAN.



◆ *Basic*

Create a VLAN and add tagged member ports to it.

1. Click on the “Basic” tab, and then click **Add** to reach the page shown below.

The screenshot displays the 'Basic' configuration page for a VLAN. At the top, there are two tabs: 'Basic' (selected) and 'Port VID'. Below the tabs, there are three input fields: 'VLAN Name' (empty), 'VID' (containing '1'), and 'Protocol Vlan' (a dropdown menu set to 'NONE'). To the left of the main configuration area is a scrollable list of ports from PORT1 to PORT12. In the center, there are two buttons: 'Add >>' and '<< Remove'. At the bottom of the form, there are 'Next' and 'Help' buttons.

2. Type a name for the new VLAN.
3. Type a VID (between 2-4094). The default is 1.
4. Choose the protocol type.
5. From the column box on the left that displays the available ports, select the ports you would like to add click **Add >>**. If the trunk groups already exist, you can view them here (ex: TRK1, TRK2...) and configure them as the members of a VLAN.



6. Click **Next**. Then you can view the page as follows:

VLAN Name:	v1			
VLAN ID:	2			
Tag Member				
PORT1	Tag ▼	PORT2	Tag ▼	
PORT3	Tag ▼	PORT4	Untag ▼	
PORT5	Untag ▼			
<input type="button" value="Apply"/>				

7. Use this page to set the outgoing frames as VLAN-tagged frames, if necessary. Then click **Apply**.

Tag: outgoing frames that are VLAN-tagged.

Untag: outgoing frames that are not VLAN-tagged.



◆ *Port VID*

Configure Port VID Settings

From the main tag-based (IEEE 802.1Q) VLAN page, click the “Port VID” tab.

BasicPort VID

Assign a Port VLAN ID (1~255) for untagged traffic on each port, then click Submit to apply the changes on this page.

Ingress Filtering Rule 1
(Forward only packets with VID matching this port's configured VID)

Ingress Filtering Rule 2
(Drop Untagged Frame)

NO	PVID	Ingress Filtering 1	Ingress Filtering 2
PORT1 ▲ PORT2 ▲ PORT3 ▲ PORT4 ▼	<input style="width: 50px;" type="text" value="1"/>	Enable ▼	Disable ▼
PORT1	1	ENABLE	DISABLE
PORT2	1	ENABLE	DISABLE
PORT3	1	ENABLE	DISABLE
PORT4	1	ENABLE	DISABLE

ApplyDefaultHelp

Port VID (PVID)

Set the port VLAN ID that will be assigned to untagged traffic on a given port. This feature is useful for accommodating devices that you want to participate in the VLAN but that don't support tagging. Each port allows you to set one PVID; the range is 1-255 and the default PVID is 1. The PVID must be the same as the VLAN ID of the port that belongs to the VLAN group, or the untagged traffic will be dropped.



Ingress Filtering

Ingress filtering allows frames that belong to a specific VLAN to be forwarded if the port belongs to that VLAN. The switch has two ingress filtering rules. They are as follows:

Ingress Filtering Rule 1: Only forward packets with VIDs matching this port's configured VID.

Ingress Filtering Rule 2: Drop untagged frames.

5.4.8 Spanning Tree

The spanning-tree protocol (STP) is a standardized method (IEEE 802.1D) for avoiding loops in switched networks. Enabling STP will ensure that only one path at a time is active between any two nodes on the network. You can enable the spanning-tree protocol on the "Switch Settings" page in the "Advanced" section. Select "Enable Spanning-Tree protocol". We recommend that you enable STP on all switches to ensure a single active path on the network.

1. You can view spanning tree information about the Root Bridge. A sample is shown below.

Priority	32768
Mac Address	004063809988
Root_Path_Cost	0
Root Port	0
Max Age	20
Hello Time	2
Forward Delay	15



Web Management

HGMS224 24-Port 10/100 + 2-Port Gigabit Module Managed Switch

2. You can also view the spanning tree status of the switch. A sample is shown below.

PortNum	PathCost	Priority	PortState
PORT1	10	128	FORWARDING
PORT2	10	128	FORWARDING
PORT3	10	128	FORWARDING
PORT4	10	128	FORWARDING
PORT5	10	128	FORWARDING
PORT6	10	128	FORWARDING
PORT7	10	128	FORWARDING
PORT8	10	128	FORWARDING
PORT9	10	128	FORWARDING
PORT10	10	128	FORWARDING
PORT11	10	128	FORWARDING
PORT12	10	128	FORWARDING
PORT13	10	128	FORWARDING
PORT14	10	128	FORWARDING
PORT15	10	128	FORWARDING



3. You can change the settings for the STP parameters. Then click **Apply**.

Set Spanning Tree

Configure Spanning Tree Parameters

STP State	<input checked="" type="checkbox"/>
Priority (0-65535)	<input type="text" value="32768"/>
Max Age (6-40)	<input type="text" value="20"/>
Hello Time (1-10)	<input type="text" value="2"/>
Forward_Delay_Time(4-30)	<input type="text" value="15"/>

Parameter	Description
Priority	You can change the priority value, which is a value used to identify the root bridge. The bridge with the lowest value has the highest priority and is selected as the root. Enter a number between 1 and 65535.
Max Age	You can change the max age value, which is the number of second bridge waits without receiving spanning-tree protocol configuration messages before attempting a reconfiguration. Enter a number between 6 and 40.
Hello Time	You can change the Hello Time value, which is the number of seconds between the transmissions of spanning-tree protocol configuration messages. Enter a number between 1 and 10.
Forward Delay Time	You can change the forward delay time, which is the number of seconds a port waits before changing from its spanning-tree protocol learning and listening states to the forwarding state. Enter a number between 4 and 30.



Web Management

HGMS224 24-Port 10/100 + 2-Port Gigabit Module Managed Switch

- The following parameters can be configured on each port. Click Apply after you have made the appropriate changes.

Configure Spanning Tree Port Parameters		
Port Number	Path Cost (1 - 65535; Default 10)	Priority (0 - 255; Default 128)
PORT1 PORT2 PORT3 PORT4 PORT5	10	128
<input type="button" value="Apply"/> <input type="button" value="Help"/>		

Parameter	Description
Port Priority	You can increase the priority level for a port to become the root port. The range is 0-255, and the default setting is 128. The <i>lowest</i> number has the <i>highest</i> priority.
Path Cost	This parameter specifies the path costs of the ports that the switch uses to determine which ports are the forwarding ports. The ports with the <i>lowest</i> numbers are the forwarding ports. The range is 1-65535, and the default value is based on the IEEE 802.1D specifications: 10Mb/s = 50-600, 100Mb/s = 10-60, 1000Mb/s = 3-10

5.4.9 Port Sniffer

The port sniffer is a tool for monitoring traffic in switched networks. Traffic through ports can be monitored via one designated port. Traffic going in or out of monitored ports will be duplicated into a sniffer port.

- Sniffer Mode:** Press **Spacebar** to set the sniffer mode to: Disable \Rx \Tx \Both.
- Monitoring Port:** The sniffer port can be used to monitor port traffic. You can connect the sniffer port to a LAN analyzer or NetXRay.



Web Management

HGMS224 24-Port 10/100 + 2-Port Gigabit Module Managed Switch

3. **Monitored Port:** The ports you want to monitor. All monitor port traffic will be copied to sniffer port. You can select max 25 monitor ports in the switch. User can choose which port that they want to monitor in only one sniffer mode.

If you want to disable the function, you must select “None” in the “Analysis Port” category.

Port Sniffer

Roving Analysis State:		DISABLE ▾	
Analysis Port:		None	
		DISABLE	
		RX	
		TX	
		BOTH	
Port	Monitor		Monitor
PORT1	<input type="checkbox"/>	2	<input type="checkbox"/>
PORT3	<input type="checkbox"/>	PORT4	<input type="checkbox"/>
PORT5	<input type="checkbox"/>	PORT6	<input type="checkbox"/>
PORT7	<input type="checkbox"/>	PORT8	<input type="checkbox"/>
PORT9	<input type="checkbox"/>	PORT10	<input type="checkbox"/>
PORT11	<input type="checkbox"/>	PORT12	<input type="checkbox"/>
PORT13	<input type="checkbox"/>	PORT14	<input type="checkbox"/>
PORT15	<input type="checkbox"/>	PORT16	<input type="checkbox"/>
PORT17	<input type="checkbox"/>	PORT18	<input type="checkbox"/>
PORT19	<input type="checkbox"/>	PORT20	<input type="checkbox"/>
PORT21	<input type="checkbox"/>	PORT22	<input type="checkbox"/>
PORT23	<input type="checkbox"/>	PORT24	<input type="checkbox"/>

Apply Default Help



5.4.10 SNMP/Trap Manager

Any network management platform that is running the Simple Network Management Protocol (SNMP) can manage the switch, provided the Management Information Base (MIB) is installed correctly on the management station. SNMP is a protocol that governs the transfer of information between management station and agent.

1. System Options: You can define a name, location, and contact person for the switch. Fill in the system options data, and then click **Apply** to update the changes on this page.

Name: Enter a name to be used for the switch.

Location: Enter the location of the switch.

Contact: Enter the name of a person or organization.

System Options

Name : 24+2 Intelligent switch

Location : Lab

Contact : Local

Apply Help

2. Community sStrings: serve as passwords and can be entered as one of the following:

RO: Read-only - enables requests accompanied by this string to display MIB-object information.

RW: Read-write - enables requests accompanied by this string to display MIB-object information and to set MIB objects.

Community Strings

Current Strings : public__RO
private__RW

<< Add <<

Remove

New Community String :

String :

RO RW



Web Management

HGMS224 24-Port 10/100 + 2-Port Gigabit Module Managed Switch

3. Trap Managers: A trap manager is a management station that receives traps, which are the system alerts generated by the switch. If no trap manager is defined, no traps are issued. Create a trap manager by entering the IP address of the station and a community string.

Trap Managers

Current Managers : <div style="border: 1px solid gray; padding: 5px; min-height: 40px;">(none)</div>	New Manager : <div style="display: flex; justify-content: space-between; align-items: flex-start;"><div style="text-align: center;"><input type="button" value=" << Add <<"/> <input type="button" value=" Remove"/></div><div style="width: 80%;">IP Address : <input style="width: 100%;" type="text"/> Community : <input style="width: 100%;" type="text"/></div></div>
--	---

5.4.11 Security Manager

On this page, you can change the user name and password as follows:

1. User name: Type the new user name.
2. Password: Type the new password.
3. Reconfirm password: Retype the new password.
4. Click **Apply**.

Security Manager

User Name:	<input style="width: 100%;" type="text" value="admin"/>
Assign/Change password:	<input style="width: 100%;" type="password" value="***"/>
Reconfirm pssword:	<input style="width: 100%;" type="password" value="***"/>
	<input type="button" value="Apply"/>



5.4.12 802.1x Configuration

System Configuration

802.1x makes use of the physical access characteristics of IEEE 802 LAN infrastructures in order to provide a means of authenticating and authorizing devices attached to a LAN port that has point-to-point connection characteristics, and of preventing access to that port in cases in which the authentication and authorization process fails.

To enable 802.1x, go to **Administrator > Switch Settings > Advanced**. You can enable 802.1x at the bottom of the page. After enabling 802.1x, proceed to the “802.1x Configuration” section to fill in the authentication server information.

Configure 802.1x Parameters	
Radius Server IP :	<input type="text" value="192.168.221.72"/>
Server Port:	<input type="text" value="1812"/>
Accounting Port:	<input type="text" value="1813"/>
Shared Key :	<input type="text" value="12345678"/>
NAS,Identifier:	<input type="text" value="NAS_L2_SWITCH"/>

Radius Server IP Address: The IP address of the authentication server.

Server Port: The UDP port number used by the authentication server to authenticate.

Accounting Port: The UDP port number used by the authentication server to retrieve accounting information.

Shared Key: A key shared between this switch and the authentication server.

NAS, Identifier: A string used to identify this switch.



Per Port Configuration

In this page, you can select a specific port and configure the authorization state. You can select from a list of four authorization states for each port:

Port Number	Port State
PORT2 PORT4 PORT5	Au

Apply Help

Fu: Forces a specific port to be unauthorized.

Fa: Forces a specific port to be authorized.

Au: The state of a specific port is determined by the outcome of the authentication.

No: The selected port is not 802.1x enabled.



Misc Configuration

In this page, you can change the default configuration for the 802.1x standard:

802.1x Configuration

[System Configuration](#) | [PerPort Configuration](#) | [Misc Configuration](#)

Configure 802.1x misc configuration

Quiet period:	<input type="text" value="60"/>
Tx period:	<input type="text" value="30"/>
Supplicant timeout:	<input type="text" value="30"/>
Server timeout:	<input type="text" value="30"/>
Max requests:	<input type="text" value="2"/>
Reauth period:	<input type="text" value="3600"/>

Quiet Period: Used to define periods of time during which it will not attempt to acquire a supplicant (default time is 60 seconds).

Tx Period: Used to determine when an EAPOL PDU is to be transmitted (default value is 30 seconds).

Supplicant Timeout: Used to determine timeout conditions in the exchanges between the supplicant and authentication server (default value is 30 seconds).

Server Timeout: Used to determine timeout conditions in the exchanges between the authenticator and authentication server (default value is 30 seconds).

Re-Auth Max: Used to determine the number of re-authentication attempts that are permitted before a specific port becomes unauthorized (default value is 2 times).

Re-Auth Period: Used to determine a non-zero number of seconds between periodic re-authentication of the supplications (default value is 3600 seconds).



Web Management

HGMS224 24-Port 10/100 + 2-Port Gigabit Module Managed Switch

5.4.13 Web Cluster

This switch provides a new management tool for you to manage a group of LAN switches through a master switch. It is called the “Web Cluster” function. This function allows the manager switch (also called “master switch”) to fetch the web pages from the managed switches to the user’s browser. The MIS can store information about up to 16 sets of other switches in one master switch, and easily switch to the web page of the desired Ethernet switch without remembering the IP of the host. Moreover, the switch has no exclusiveness, meaning that the MIS can group switches of any brand and the web cluster switch will not reject any other switch from any other brand.

Web Cluster Menu

A pop-up menu will be displayed after clicking the “Web Cluster” item in the main menu.

Web Cluster

- * Master (192.168.1.85)
- Switch 01 (192.168.1.113)
- Switch 02 (192.168.1.114)
- * Switch 03 (192.168.1.115)
- * Switch 04 (192.168.1.116)
- * Switch 05 (192.168.1.117)

Web Cluster Setting

IP : 192 . 168 . 1 . 117

Name : Switch 05 Web Cluster Support

Add

Web Cluster Status

Name	IP	Del
Switch 01	192.168.1.113	<input type="checkbox"/>
Switch 02	192.168.1.114	<input checked="" type="checkbox"/>
Switch 03	192.168.1.115	<input checked="" type="checkbox"/>
Switch 04	192.168.1.116	<input type="checkbox"/>
Switch 05	192.168.1.117	<input type="checkbox"/>

Delete

Apply Help



Web Management

HGMS224 24-Port 10/100 + 2-Port Gigabit Module Managed Switch

There are 16+1 rows in the web cluster menu. The top row, with the deep blue background, indicates the master switch IP and cannot be modified. The other 16 rows, in a lighter blue background, can be added with managed switches by clicking **Add/Del Switches**.

In the row, there is specific information about the managed switch: host names and their IPs. If the host is a Web Cluster-supported switch, an asterisk (*) will appear before the host name. The current managed switch will be highlighted in red on the menu. You can switch to another host by clicking on it and the browser window will jump to its homepage.

Web Cluster setting

In this page, you can add or delete web cluster group members. There is a list in the “Web Cluster Status” section, indicating the current group setting. Hosts in blue font are Web Cluster-supported.

Add: Enter the IP and name of the switch to be added. If the switch is Web Cluster-supported, click the checkbox “Web Cluster Support”. The default setting is “Off”. After clicking **Add**, the input host will be added to the “Web Cluster Status” list.

Delete: In the “Web Cluster Status” list, click the **Del** checkbox for items to be removed. After that, click **Delete** to refresh the list.

Apply: When the list is confirmed, click **Apply** to submit. The web cluster menu list will be updated. The group information will be stored in the master switch.

Note:

“Web Cluster-supported” indicates that, if the managed host is also a Web Cluster switch, the master switch will bypass the password authentication and suppress the “Web Cluster” item in the managed host’s main menu.



5.5 TFTP Firmware Update

The following menu options provide some system control functions to allow you to update the firmware and remote boot switch system:

- Install the TFTP program (such as Turbo98, or Cisco TFTP) and then execute.
- Copy updated firmware **image.bin** into the TFTP server's directory.
- Using the web management tool, select "TFTP Update Firmware".
- Download the new **image.bin** file by clicking **Apply**.
- After the update is completed, click **Reboot** to restart the switch.

TFTP Download New Image

TFTP Server IP Address	<input type="text" value="192.168.223.99"/>
Firmware File Name	<input type="text" value="image.bin"/>

**Image download complete.
Would you make sure to update firmware?**

Reboot Switch System



5.6 Configuration Backup

5.6.1 TFTP Restore Configuration

Use this page to set the FTP server address. You can restore the EEPROM value from here, but you must put the image back in the FTP server; the switch will download back the flash image.

TFTP Configuration

TFTP Restore Configuration | **TFTP Backup Configuration**

TFTP Server IP Address	192.168.223.99
Backup File Name	flash.dat

Apply Help

5.6.2 TFTP Backup Configuration

Use this page to set the TFTP server IP address. You can save the current EEPROM value from here, and then go to the “TFTP Restore Configuration” page to restore the EEPROM value.

TFTP Configuration

TFTP Restore Configuration | **TFTP Backup Configuration**

TFTP Server IP Address	192.168.223.99
Backup File Name	flash.dat

Apply Help

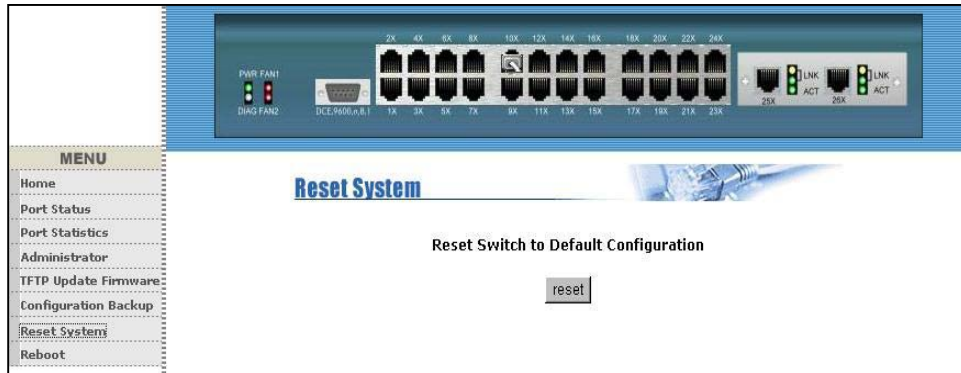


Web Management

HGMS224 24-Port 10/100 + 2-Port Gigabit Module Managed Switch

5.7 Reset System

In this page, you can reset the switch to its default configuration. The default value is shown below.



5.8 Reboot

In this page, you can reboot the switch in software reset.





Console - Firmware Update

HGMS224 24-Port 10/100 + 2-Port Gigabit Module Managed Switch

Console - 1K Xmodem Firmware Update

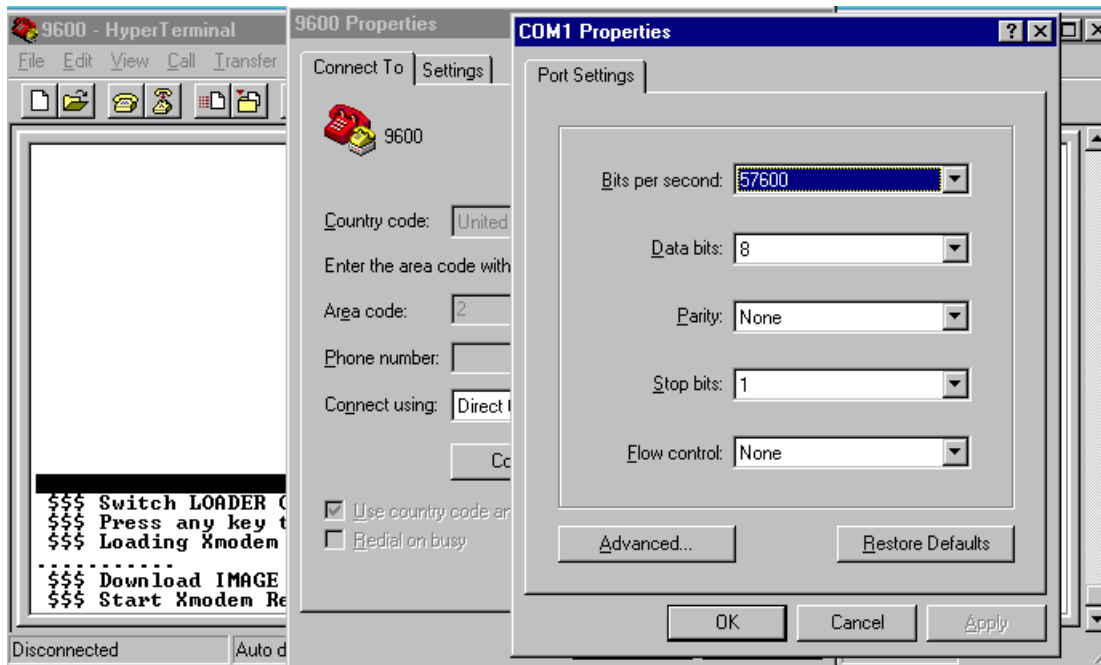
We provide a 1k Xmodem to update the firmware via the console. The X modem only works in 57600bps mode. So you must change the baud rate to 57600bps to download the firmware.

There are two situations in which to use the 1K X modem to update the firmware:

1. You can enter "1K X modem receiver mode" by pressing any key within 5 seconds of the system power being turned on.
2. The system automatically enters "1K X modem receiver mode" if it detects the firmware checksum failed while booting.

1. Press the "Disconnect" button when you start 1K X modem modes.

Go to **File -> Properties**, change the baud rate to 57600bps, and then click **OK**.

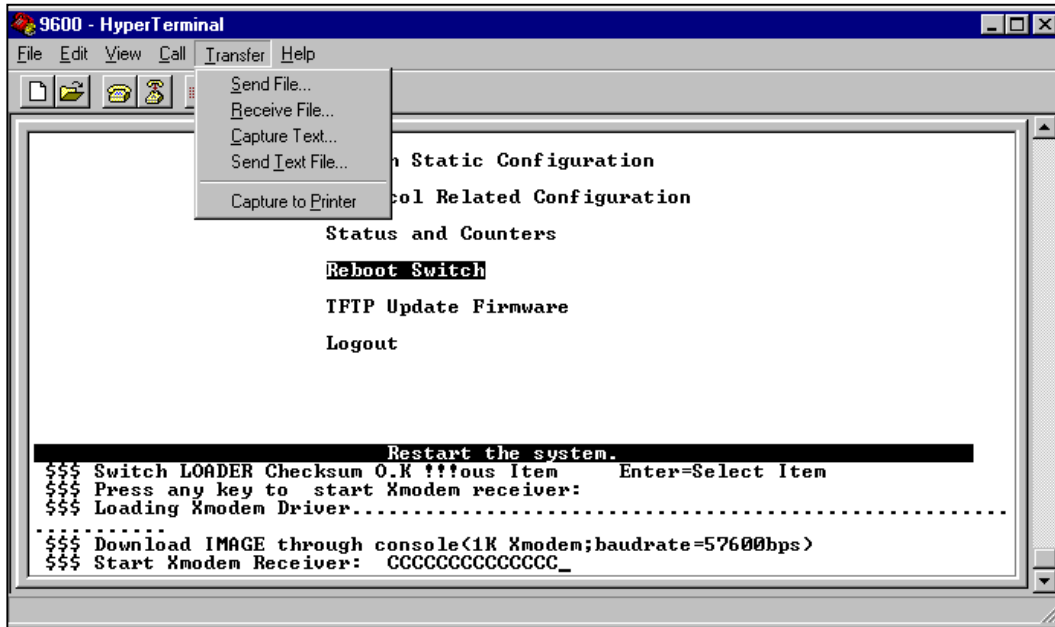




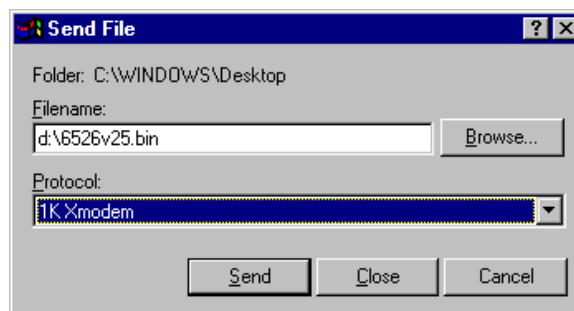
Console - Firmware Update

HGMS224 24-Port 10/100 + 2-Port Gigabit Module Managed Switch

2. Press the “Connect” button and you will see “CCCC...” displayed on the console. Then go to **Transfer > Send File**.



3. Select **1K Xmodem** under the **Protocol** item, and list the directory for the image file folder. Then click **Send**.

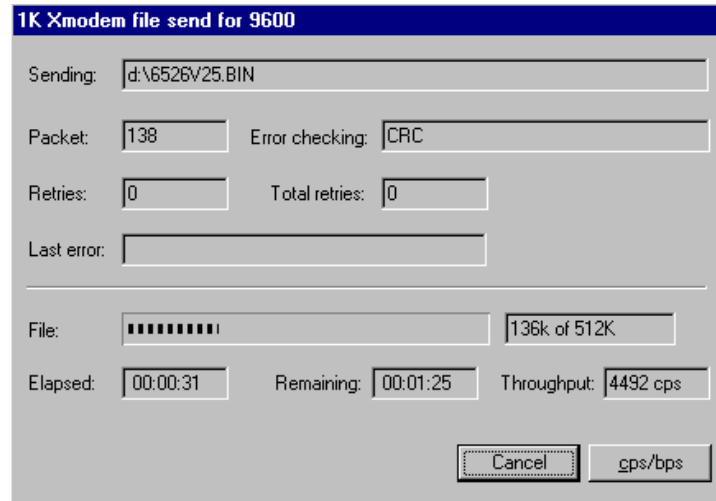




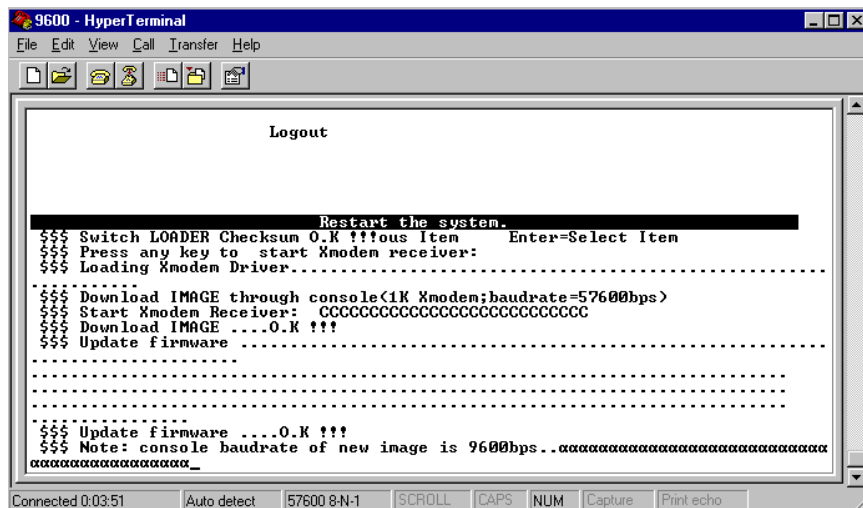
Console - Firmware Update

HGMS224 24-Port 10/100 + 2-Port Gigabit Module Managed Switch

4. Start downloading the image file.



5. Finish downloading the file and the switch system will update the firmware automatically. If the message "Update firmware...ok..." appears, the switch will reboot. Please change the baud rate to 9600bps.





Out-of-band Management

HGMS224 24-Port 10/100 + 2-Port Gigabit Module Managed Switch

Out-of-band Terminal Mode Management

1. The switch also provides a serial interface to manage and monitor the switch. You can follow the steps outlined in the “Console Port Info” section of the web interface for using the Windows HyperTerminal program to link the switch.
2. You can type a user name and password to login. The default user name is “admin” and the default password is “123”.

```
User Interface
Intelligent 24 + 2 Switch

username:
password:
```



Out-of-band Management

HGMS224 24-Port 10/100 + 2-Port Gigabit Module Managed Switch

7.1 Main Menu

There are six selectable items, as shown below:

```
Main Menu
=====

Switch Static Configuration
Protocol Related Configuration
Status and Counters
Reboot Switch
TFTP Update Firmware
Logout

Configure the switch.
Tab=Next Item      BackSpace=Previous Item      Enter=Select Item
```

Switch Static Configuration: Allows you to configure the switch.

Protocol Related Configuration: Allows you to configure the protocol function.

Status and Counters: Displays the status of the switch.

Reboot Switch: Allows you to restart the system or reset switch to its default configuration.

TFTP Update Firmware: Uses TFTP to download the updated firmware.

Logout: Exits the menu line program.

The **control key** can be used as follows for this mode of operation:

Tab: Moves to the next item.

Backspace: Moves to the previous item.

Enter: Selects the item.

Spacebar: Toggles between the selectable items.



7.2 Switch Static Configuration

```
Intelligent Switch : Switch Configuration
=====
Port Configuration
Trunk Configuration
VLAN Configuration
Misc Configuration
Administration Configuration
Port Mirroring Configuration
Priority Configuration
MAC Address Configuration
Main Menu
Display or change port configuration.
Tab=Next Item      BackSpace=Previous Item      Enter=Select Item
```

You can press the **Tab** or **Backspace** keys to choose an item, and then press **Enter** to select the item. The action menu, shown below, applies for configuration in this section.

<Quit>: Allows you to exit the current page and return to previous menu.

<Edit>: Configures all of the items. Once you have completed making the appropriate changes, press **Ctrl + A** to return to the action menu line.

<Save>: Saves all of the configured values.

<Previous Page>: Allows you to return to the previous page.

<Next page>: Allows you to proceed to the next page.



Out-of-band Management

HGMS224 24-Port 10/100 + 2-Port Gigabit Module Managed Switch

7.2.1 Port Configuration

From this page, you can manipulate the status of every port.

Press **Spacebar** to toggle between items.

```
Intelligent Switch : Port Configuration
=====
```

Port	Type	InRate (100K)	OutRate (100K)	Enable	Auto	Spd/Dpx	FlowControl Full	Half
PORT1	100Tx	0	0	Yes	AUTO	100 Full	On	On
PORT2	100Tx	0	0	Yes	AUTO	100 Full	On	On
PORT3	100Tx	0	0	Yes	AUTO	100 Full	On	On
PORT4	100Tx	0	0	Yes	AUTO	100 Full	On	On
PORT5	100Tx	0	0	Yes	AUTO	100 Full	On	On
PORT6	100Tx	0	0	Yes	AUTO	100 Full	On	On
PORT7	100Tx	0	0	Yes	AUTO	100 Full	On	On
PORT8	100Tx	0	0	Yes	AUTO	100 Full	On	On

```
actions-> <Quit> <Edit> <Save> <Previous Page> <Next Page>
Select the Action menu.
Tab=Next Item BackSpace=Previous Item Quit=Previous menu Enter=Select Item
```

1. **InRate (100K/unit):**
You can adjust the input rate (100K per unit). The valid range is 0-1000.
0: disables rate control.
1-1000: valid range of rate values.
2. **OutRate (100K/unit):**
You can adjust the input rate (100K per unit). The valid range is 0-1000.
0: disables rate control.
1-1000: valid range of rate values.



Out-of-band Management

HGMS224 24-Port 10/100 + 2-Port Gigabit Module Managed Switch

3. Enabled:
You can enable or disable the ports.
“Yes” indicates that the port is enabled.
“No” indicates that the port is disabled.
4. Auto:
You can set the auto-negotiation mode to either “Auto”, “N-way Force” or “Force” for each port.
5. Spd/Dpx:
You can set the speed of ports 1-24 to either 100Mbps or 10Mbps. You can set the speed of ports 25 & 26 at either 1000Mbps, 100Mbps or 10Mbps (depending on the module card mode). You can set all of the ports at either full-duplex or half-duplex mode.
6. Flow Control:
Full: You can enable the flow control (pause) function for full-duplex mode.
Half: You can enable the flow control (backpressure) function for half-duplex mode.

NOTE:

Pressing <Save> only can save one page configuration. If the static trunk groups exist, you can see them listed (ex: TRK1, TRK2...) after port 26, and you can configure all of the items as above.



Out-of-band Management

HGMS224 24-Port 10/100 + 2-Port Gigabit Module Managed Switch

7.2.2 Trunk Configuration

This page will allow you to create a maximum of seven trunk groups. You can arbitrarily select up to four ports from ports 1-26 to build a trunk group.

```
Intelligent Switch : Trunk Configuration
=====
 01 02 03 04 05 06 07 08 09 10 11 12 13 14 15 16 17 18 19 20 21 22 23 24 M1 M2
1 v v v v - - - - - - - - - - - - - - - - - - - - - - - - - - - -
2 - - - - v v v v - - - - - - - - - - - - - - - - - - - - - - - - - -
3 - - - - - - - - - - - - - - - - - - - - - - - - - - - - - - - - - -
4 - - - - - - - - - - - - - - - - - - - - - - - - - - - - - - - - - -
5 - - - - - - - - - - - - - - - - - - - - - - - - - - - - - - - - - -
6 - - - - - - - - - - - - - - - - - - - - - - - - - - - - - - - - - -
7 - - - - - - - - - - - - - - - - v - v - - - - - - - - - - - - - - -

TRK1 Static
TRK2 LACP
TRK3 Disable
TRK4 Disable
TRK5 Disable
TRK6 Disable
TRK7 Static

actions->      <Edit>          <Save>          <Quit>
Select the action menu.
Tab=Next Item  BackSpace=Previous Item  Quit=Previous menu  Enter=Select Item
```

1. Select **<Edit>** on the “actions” menu
2. Press the **spacebar** to configure the member ports of a trunk group. You will also have to set the corresponding trunk groups between TRK1 and TRK7 to “Static” or “LACP”.
 - “Static” – the standard/normal method of trunking.
 - “LACP” – this method of trunking utilized the link aggregation control protocol (LACP).
3. Press **Ctrl + A** to go back to the action menu line.
4. Select **<Save>** to save all configured values.
5. If the items of TRK1-TRK7 are set to “Disable”, then the corresponding the trunk group will be deleted.



Out-of-band Management

HGMS224 24-Port 10/100 + 2-Port Gigabit Module Managed Switch

6. All ports in the same static trunk group will be treated as a single port. So when you set the VLAN members and port configuration, they will be toggled on or off simultaneously.

NOTE:

If VLAN groups exist, all of the members of a static trunk group **must** be in the same VLAN group.



Out-of-band Management

HGMS224 24-Port 10/100 + 2-Port Gigabit Module Managed Switch

7.2.3 VLAN Configuration

```
Intelligent Switch : VLAN Configuration
=====

VLAN Configure

Create a VLAN Group

Edit/Delete a VLAN Group

Group Sorted Mode

Previous Menu

Configure the VLAN pvid and ingress, egress Rule.
Tab=Next Item BackSpace=Previous Item Quit=Previous menu Enter=Select Item
```

The page below allows you to set the VLAN mode to port-based VLAN, 802.1Q VLAN, or “Disable”.

```
Intelligent Switch : VLAN Support Configuraton
=====

VLAN Mode : PortBased

actions-> <Quit> <Edit> <Save> <Previous Page> <Next Page>
Select the Action menu.
Tab=Next Item BackSpace=Previous Item Space=Toggle Ctrl+A=Action menu
```



Out-of-band Management

HGMS224 24-Port 10/100 + 2-Port Gigabit Module Managed Switch

NOTE: Whenever you change the VLAN settings, you will need to restart the switch.

If the VLAN mode is set to 802.1Q VLAN, you can set PVIDs, as well as ingress filtering 1 and ingress filtering 2 in this section.

```
Intelligent Switch : VLAN Support Configuraton
=====

VLAN Mode :802.1Q

Port          PVID          IngressFilter1      IngressFilter2
              NonMember Pkt      Untagged Pkt
-----
PORT1         1              Forward             Drop
PORT2         3              Forward             Forward
PORT3         1              Drop                Forward
PORT4         1              Drop                Forward
PORT5         1              Drop                Forward
PORT6         1              Drop                Forward
PORT7         1              Drop                Forward
PORT8         1              Drop                Forward

actions->      <Quit>      <Edit>      <Save>      <Previous Page>      <Next Page>
Select the Action menu.
Tab=Next Item BackSpace=Previous Item Quit=Previous menu Enter=Select Item
```

1. **PVID (Port VID: 1-255):** Type in the PVID.
2. **Non-Member Drop:**
Same as Ingress Filtering Rule #1 on the web interface.
Only forwards packets with a VID that matches a corresponding port's configured VID.
Press **Spacebar** to choose to "forward" or "drop" a frame whose VID does not match the port's configured VID.
3. **Untagged Drop:**
Same as Ingress Filtering Rule #2 on the web interface.
Drops untagged frames.
Press **Spacebar** to choose to "forward" or "drop" the untagged frame.



7.2.3.1 Create a VLAN Group

◆ Create a Port-Based VLAN

Create a port-based VLAN and add member/nonmember ports to it.

1. Select **<Edit>**.
2. **VLAN Name:** Type in a name for the new VLAN.
3. **Grp ID:** Type in the VLAN group ID. The group ID range is 1-4094.
4. **Member:** Press **Spacebar** to choose the VLAN members. There are two options:
 - i. Member: the port is a member port.
 - ii. No: the port is NOT a member port.
5. Press **Ctrl + A** go back to the action menu.
6. Select **<Save>** to save all configured values.

```

                                Add an VLAN Group
                                -----
VLAN Name: [vlan2          ] Grp ID: [2    ] (1~4094)

Port      Member
-----
PORT1     Member
PORT2     Member
PORT3     No
PORT4     Member
PORT5     No
PORT6     No
PORT7     No
PORT8     No

actions->  <Quit>      <Edit>      <Save>      <Previous Page>  <Next Page>
                                Select the Action menu.
Tab=Next Item  BackSpace=Previous Item  Quit=Previous menu  Enter=Select Item

```

NOTE:

If the trunk groups already exist, you can view them (ex: TRK1, TRK2...) after port 26 in the menu of ports and configure them as the members of a VLAN.



Out-of-band Management

HGMS224 24-Port 10/100 + 2-Port Gigabit Module Managed Switch

◆ Create an 802.1Q VLAN

Create an 802.1Q VLAN and add tagged /untagged member ports to it.

1. Select **<Edit>**.
2. **VLAN Name:** Type in a name for the new VLAN.
3. **VLAN ID:** Type in a VID between 1-4094. The default is 1. You can configure up to 256 VLAN groups.
4. **Protocol VLAN:** Press **Spacebar** to choose protocol types.
5. **Member:** Press **Spacebar** to choose VLAN members. There are three options:
 - a. UnTagged: the port is a member of this VLAN group and outgoing frames are NOT VLAN-tagged frames.
 - b. Tagged: the port is a member of this VLAN group and outgoing frames are VLAN-tagged frames.
 - c. NO: The port is NOT a member of this VLAN group.
6. Press **Ctrl + A** to go back to the action menu.
7. Select **<Save>** to save all configured values.

```

                                Add an VLAN Group
                                -----
VLAN Name: [vlan2          ] VLAN ID: [2    ] (1~4094)

Protocol VLAN : None

Port          Member
-----
PORT1         UnTagged
PORT2         Tagged
PORT3         UnTagged
PORT4         No
PORT5         No
PORT6         No
PORT7         No
PORT8         No

actions->  <Quit>      <Edit>      <Save>      <Previous Page>  <Next Page>
Select the Action menu.
Tab=Next Item  BackSpace=Previous Item  Quit=Previous menu  Enter=Select Item

```




Out-of-band Management

HGMS224 24-Port 10/100 + 2-Port Gigabit Module Managed Switch

NOTE:

If the trunk groups already exist, you can view them (ex: TRK1, TRK2...) after port 26 in the menu of ports and configure them as the members of a VLAN.

7.2.3.2 Edit/Delete a VLAN Group

In this page, you can edit or delete a VLAN group.

1. Press **<Edit>** or **<Delete>**.
2. Choose the VLAN group that you want to edit or delete and then press **Enter**.
3. You can modify the VLAN items - the member ports are tagged or un-tagged - and remove member ports from the VLAN group.
4. After editing the VLAN, press **<Save>** to save all configured values.

```
NAME:          VID:          NAME:          VID:
-----          -----          -----          -----
DEFAULT        1
vlan2          2

actions-> <quit> <Edit> <Delete> <Previous Page> <Next Page>
          Edit/Delete a VLAN Group.
Tab=Next Item BackSpace=Previous Item CTRL+A=Action menu Enter=Select Item
```



Out-of-band Management

HGMS224 24-Port 10/100 + 2-Port Gigabit Module Managed Switch

```
-----
                        Edit an VLAN Group
-----
VLAN Name: [vlan2          ] VLAN ID: [2    ](1~4094)
Protocol VLAN : AppleTalk/NetBIOS

Port          Member
-----
PORT1         UnTagged
PORT2         Tagged
PORT3         UnTagged
PORT4         No
PORT5         No
PORT6         No
PORT7         No
PORT8         No

actions->      <Quit>      <Edit>      <Save>      <Previous Page>      <Next Page>
                Select the Action menu.
Tab=Next Item  BackSpace=Previous Item  Quit=Previous menu  Enter=Select Item
```

NOTE:

1. Pressing **<Enter>** once will complete deletion when in delete mode.
2. The VLAN Name and VLAN ID cannot be modified.
3. The default VLAN cannot be deleted.

7.2.3.3 Groups Sorted Mode

In this page, you can sort the VLAN groups by:

1. Name
2. VID



Out-of-band Management

HGMS224 24-Port 10/100 + 2-Port Gigabit Module Managed Switch

The *Edit/Delete a VLAN group* page will display the result.

```
Intelligent Switch : Group Sorted Selection
=====

Group Sorted :Sorted_By_Name

actions->      <Edit>          <Save>          <Quit>
                Select the action menu.
Tab=Next Item  BackSpace=Previous Item  Quit=Previous menu  Enter=Select Item
```

Shown below is the page if sorted by name.

```
NAME:          VID:          NAME:          VID:
-----          -----          -----          -----
DEFAULT        1
A1             56
B1             33
vlan2          2

actions->      <Quit>      <Edit>      <Delete>      <Previous Page>      <Next Page>
                Edit/Delete a VLAN Group.
Tab=Next Item  BackSpace=Previous Item  Quit=Previous menu  Enter=Select Item
```



Out-of-band Management

HGMS224 24-Port 10/100 + 2-Port Gigabit Module Managed Switch

Shown below is the page if sorted by VID.

NAME:	VID:	NAME:	VID:
-----	-----	-----	-----
DEFAULT	1		
vlan2	2		
E1	33		
A1	56		

actions-> **<Quit>** <Edit> <Delete> <Previous Page> <Next Page>
Edit/Delete a VLAN Group.
Tab=Next Item BackSpace=Previous Item Quit=Previous menu Enter=Select Item

7.2.4 Miscellaneous Configuration

Intelligent Switch : Misc Configuration =====
MAC Age Interval
Broadcast Storm Filtering
Max bridge transmit delay bound
Port Security
Previous Menu
Configure the MAC aging time.
Tab=Next Item BackSpace=Previous Item Enter=Select Item



Out-of-band Management

HGMS224 24-Port 10/100 + 2-Port Gigabit Module Managed Switch

7.2.4.1 MAC Age Interval

Type the number of seconds that an inactive MAC address remains in the switch's address table. The valid range is 300-765 seconds. The default value is 300 seconds.

```
Intelligent Switch : MAC Aging Time
=====

MAC Age Interval (sec) [600] : 600
(disable:0,valid value:300~765)

actions->      <Edit>          <Save>          <Quit>
Select the action menu.
Tab=Next Item BackSpace=Previous Item Quit=Previous menu Enter=Select Item
```



7.2.4.2 Broadcast Storm Filtering

This page will allow you to configure broadcast storm control.

1. Press **<Edit>** to configure the broadcast storm filter mode.
2. Press **Spacebar** to choose the threshold value.

The valid threshold values are 5%, 10%, 15%, 20%, 25% and NO. The default value is 5%.

```
Intelligent Switch : Broadcast Storm Filter Mode
=====

Broadcast Storm Filter Mode :5

actions->  <Edit>          <Save>          <Quit>
           Select the action menu.
Tab=Next Item  BackSpace=Previous Item  Quit=Previous menu  Enter=Select Item
```

7.2.4.3 Max Bridge Transmit Delay Bound

1. **Max bridge transmit delay bound:** Limits the queuing time of the packets in the switch. If enabled, the queued packets that exceed the limit will be dropped. Press **Spacebar** to set the time. The valid values are 1sec, 2sec, 4sec and “Off”. The default setting is “Off”.
2. **Low Queue Delay Bound:** Limits the queuing time of the low priority packets in the switch. If enabled, the low priority packets that exceed the “Low Queue Max Delay Time” will be sent. Press **Spacebar** to enable or disable this function. The default setting is “Disabled”.
3. **Low Queue Max Delay Time:** Allows you to set the time that low priority packets can queue in the switch. The valid range is 1-255ms. The default “Max Delay Time” is 255ms.



Out-of-band Management

HGMS224 24-Port 10/100 + 2-Port Gigabit Module Managed Switch

```
Intelligent Switch : Max Bridge Transmit Delay Bound
=====

Max bridge transmit delay bound :OFF
Low Queue Delay Bound :Disabled
Low Queue Max Delay Time :255

actions->      <Edit>          <Save>          <Quit>
                Select the action menu.
Tab=Next Item  BackSpace=Previous Item  Quit=Previous menu  Enter=Select Item
```

NOTE: Make sure “Max bridge transit delay bound control” is enabled before enabling “Low Queue Delay Bound” because “Low Queue Delay Bound” can only work when “Max bridge transit delay bound control” is enabled.

7.2.4.4 Port Security

A port in security mode will be “locked” without permission of the address learning. Normally only the incoming packets with SMAC already existing in the address table can be forwarded. You can disable the port from learning any new MAC addresses, then use the static MAC addresses screen to define a list of MAC addresses that can use the secure port.



Out-of-band Management

HGMS224 24-Port 10/100 + 2-Port Gigabit Module Managed Switch

```
Intelligent Switch : Port Security
=====

Port          Enable Security
              (disable for MAC Learning)
-----
PORT1         enabled
PORT2         enabled
PORT3         enabled
PORT4         Disabled
PORT5         Disabled
PORT6         Disabled
PORT7         Disabled
PORT8         Disabled

actions->    <Quit>    <Edit>    <Save>    <Previous Page>    <Next Page>
              Select the Action menu.
Tab=Next Item BackSpace=Previous Item Quit=Previous menu Enter=Select Item
```

1. Select **<Edit>**.
2. Press **Spacebar** to choose whether to enable or disable the item.
3. Press **Ctrl + A** to go back to the action menu.
4. Select **<Save>** to save all configured values.
5. You can press **<Next Page>** to configure the remaining ports; you can press **<Previous Page>** to return to the last page.

7.2.4.5 Collision s Retry Forever

Collisions Retry Forever: **Disable** – In half-duplex, if collisions occur, the system will retry 48 times before dropping the frame.
Enable – In half-duplex, if collisions occur, the system will retry forever (default).



Out-of-band Management

HGMS224 24-Port 10/100 + 2-Port Gigabit Module Managed Switch

```
Intelligent Switch : Collisions Retry Forever
=====

Collisions Retry Forever : Enable

actions->      <Edit>          <Save>          <Quit>
Select the action menu.
Tab=Next Item  BackSpace=Previous Item  Quit=Previous menu  Enter=Select Item
```



Out-of-band Management

HGMS224 24-Port 10/100 + 2-Port Gigabit Module Managed Switch

7.2.5 Administration Configuration

```
Intelligent Switch : Device Configuration
=====

Change Username
Change Password
Device Information
IP Configuration
Previous Menu

Configure the username.
Tab=Next Item      BackSpace=Previous Item      Enter=Select Item
```



7.2.5.1 Change Username

From this page, you can change the web management username. Type in the new username, and then press <Save>.

```
Intelligent Switch : UserName Configuration
=====

UserName : admin

actions->  <Edit>          <Save>          <Quit>
Select the action menu.
Tab=Next Item BackSpace=Previous Item Quit=Previous menu Enter=Select Item
```

7.2.5.2 Change Password

Use this page; user can change web management login password.

```
Intelligent Switch : Password Configuration
=====

Old Password:***
new password:***
enter again :***

Entering new password.
Esc=Previous menu
```



Out-of-band Management

HGMS224 24-Port 10/100 + 2-Port Gigabit Module Managed Switch

7.2.5.3 Device Information

From this page, you can configure the device information.

```
Intelligent Switch : Device Information
=====

Name      : Intelligent 24+2 Switch
Description : Intelligent 24+2 Switch
Location  : LAB
Content   : 24 + 2 PORTS

actions->  <Edit>          <Save>          <Quit>
Select the action menu.
Tab=Next Item BackSpace=Previous Item Quit=Previous menu Enter=Select Item
```

7.2.5.4 IP Configuration

From this page, you can configure the IP settings.

```
Intelligent Switch : IP Configuration
=====

DHCP      : Disabled
IP Address : 192.168.223.38
Subnet Mask : 255.255.248.0
Gateway   : 192.168.223.254

actions->  <Edit>          <Save>          <Quit>
Select the action menu.
Tab=Next Item BackSpace=Previous Item Quit=Previous menu Enter=Select Item
```



Out-of-band Management

HGMS224 24-Port 10/100 + 2-Port Gigabit Module Managed Switch

7.2.6 Port Mirroring Configuration

Port mirroring is a method of monitoring traffic in switched networks. Traffic through ports can be monitored via one designated port. Traffic through ports can be monitored by one specific port. That is, traffic going in or out of monitored ports will be duplicated into the monitoring port.

Press **Spacebar** to change the configuration of each item.

1. Select **<Edit>**.
2. **Sniffer Mode:** Press **Spacebar** to set the Sniffer mode to: Disable \Rx \Tx \Both.
3. **Monitoring Port:** This means that the sniffer port can be used to see traffic of all monitored ports. Press **Spacebar** to select it.
4. **Monitored Ports:** The ports you want to monitor. All monitored port traffic will be copied to the sniffer port. You can select up to 25 ports to monitor on the switch. You can choose which port to monitor in only one sniffer mode. Press **Spacebar** to choose a member port, “V” – is the member, “—” – not the member.
5. Press **Ctrl + A** go back to the action menu.
6. Select **<Save>** to save all configured values.
7. On the action menu line you can press **<Next Page>** to configure ports 9-26, and **<Previous Page>** to return to the last page.

```
Intelligent Switch : Port Sniffer
=====

Sniffer Mode: Rx
Monitoring Port : PORT1
Monitored Port :

Port      member
-----
PORT1     -
PORT2     v
PORT3     -
PORT4     v
PORT5     -
PORT6     -
PORT7     v
PORT8     -

actions->  <Quit>    <Edit>    <Save>    <Previous Page>  <Next Page>
Select the Action menu.
Tab=Next Item BackSpace=Previous Item Quit=Previous menu Enter=Select Item
```

NOTE: You can only operate in one sniffer mode at any given time.



Out-of-band Management

HGMS224 24-Port 10/100 + 2-Port Gigabit Module Managed Switch

7.2.7 Priority Configuration

```
Intelligent Switch : The Priority configuration
=====

Port Static Priority

802.1p priority

Previous Menu

Configure port static priority.
Tab=Next Item BackSpace=Previous Item Enter=Select Item
```

7.2.7.1 Port Static Priority

The static priority is based on the port: if you set the port priority to high, incoming frames from this port will always be high priority frames.

```
Intelligent Switch : Port Priority
=====

Port          Priority
-----
PORT1         Low
PORT2         High
PORT3         Low
PORT4         High
PORT5         High
PORT6         Low
PORT7         High
PORT8         Low

actions->  <Quit>  <Edit>  <Save>  <Previous Page>  <Next Page>
Select the Action menu.
Tab=Next Item BackSpace=Previous Item Quit=Previous menu Enter=Select Item
```



7.2.7.2 802.1p Priority Configuration

Queues are assigned high/low priority levels from 0-7.

1. Select **<Edit>**.
2. Press **Spacebar** to select the priority level mapping to high or low queue.
3. **High/Low Queue Service Ratio H/L:** You can select the ratio of high priority packets and low priority packets.
4. Press **Ctrl + A** to go back to the action menu.
5. Select **<Save>** to save all configured values.

```
Intelligent Switch : 802.1p Priority Configuration
=====
    Will be overwritten by port-priority!!

Priority 0   : Low
Priority 1   : Low
Priority 2   : Low
Priority 3   : Low
Priority 4   : High
Priority 5   : High
Priority 6   : High
Priority 7   : High

QosMode : High/Low Queue Service Ratio
=>  H:[2] L:[1]

actions->  <Edit>          <Save>          <Quit>
          Select the action menu.
Tab=Next Item BackSpace=Previous Item Quit=Previous menu Enter=Select Item
```



Out-of-band Management

HGMS224 24-Port 10/100 + 2-Port Gigabit Module Managed Switch

7.2.8 MAC Address Configuration

```
Intelligent Switch : MAC Address Configuration
=====

Static MAC Address
Filtering MAC Address
Previous Menu

Configure the MAC address.
Tab=Next Item      BackSpace=Previous Item      Enter=Select Item
```

7.2.8.1 Static MAC Address

When you add a static MAC address, it remains in the switch's address table, regardless of whether the device is physically connected to the switch. This saves the switch from having to re-learn a device's MAC address when the disconnected or powered-off device is active on the network again. In this page, you can add/modify/delete a static MAC address.



Out-of-band Management

HGMS224 24-Port 10/100 + 2-Port Gigabit Module Managed Switch

```
Intelligent Switch : Static MAC Address Configuration
=====
Mac Address  Port num  Vlan ID      Mac Address  Port num  Vlan ID
-----
actions->  <Quit>  <Add>  <Edit>  <Delete>  <Previous Page>  <Next Page>
Add/Edit/Delete a Mac.
Tab=Next Item  BackSpace=Previous Item  Quit=Previous menu  Enter=Select Item
```

Add static MAC address

1. Press the **<Add>**, **<Edit>** keys to add static MAC addresses.
2. **MAC Address:** Enter the MAC address to and from which the port should permanently forward traffic, regardless of the device's network activity.
3. **Port num:** Press **Spacebar** to select the port number.
4. **VLAN ID:** If tag-based (802.1Q) VLANs are set up on the switch, static addresses are associated with individual VLANs. Type the VID to associate with the MAC address.
5. Press **Ctrl + A** to go back to the action menu.
6. Then press **<Save>** to save all configured values.

```
Intelligent Switch : Add Static MAC Address
=====

Mac Address :0090CC26BBAA
Port num    :PORT3
Vlan ID     :2

actions->  <edit>  <Save>  <quit>
Select the action menu.
Tab=Next Item  BackSpace=Previous Item  Quit=Previous menu  Enter=Select Item
```

Edit Static MAC Addresses

1. Press the **<Edit>** key.
2. Choose the MAC address that you want to modify and then press enter.

```

Intelligent Switch : Filter MAC Address Configuration
=====
Mac Address      Vlan ID          Mac Address      Vlan ID
-----
000000000001    1
000000000002    2
000000000003    3

actions-> <Quit> <Add> <Edit> <Delete> <Previous Page> <Next Page>
          Add/Edit/Delete a Mac.
Tab=Next Item BackSpace=Previous Item Space=Toggle Ctrl+A=Action menu

```

3. Press the **<Edit>** key to modify all the items.
4. Press **Ctrl + A** to go back to the action menu, and then select **<Save>** to save all configured values.

```

Intelligent Switch : Edit Filter MAC Address
=====

Mac Address :000000000001
Vlan ID     :1

actions-> <Edit> <Save> <Quit>
          Can not modify for Read Only item.
Tab=Next Item BackSpace=Previous Item Space=Toggle Ctrl+A=Action menu

```



Out-of-band Management

HGMS224 24-Port 10/100 + 2-Port Gigabit Module Managed Switch

Delete Static MAC Address

1. Press **<Delete>** key to delete a filter MAC address.
2. Choose the MAC address that you want to delete and then press enter.
3. When pressing **<Enter>** once will complete deletion on delete mode.

```
Intelligent Switch : Filter MAC Address Configuration
=====
Mac Address      Vlan ID          Mac Address      Vlan ID
-----
0000000000001   1
0000000000002   2
0000000000003   3

actions-> <Quit> <Add> <Edit> <Delete> <Previous Page> <Next Page>
Add/Edit/Delete a Mac.
Tab=Next Item BackSpace=Previous Item Quit=Previous menu Enter=Select Item
```



7.2.8.2 Filtering MAC Address

MAC address filtering allows the switch to drop unwanted traffic. Traffic is filtered based on the destination addresses. In this page, you can add /modify /delete filter MAC addresses.

```
Intelligent Switch : Filter MAC Address Configuration
=====
Mac Address      Vlan ID          Mac Address      Vlan ID
-----
actions->  <Quit>  <Add>  <Edit>  <Delete>  <Previous Page>  <Next Page>
Add/Edit/Delete a Mac.
Tab=Next Item  BackSpace=Previous Item  Quit=Previous menu  Enter=Select Item
```

Add filter MAC address

1. Press **<Add>**, **<Edit>** to add a filter MAC address.
2. **MAC Address:** Type the MAC address to filter.
3. **VLAN ID:** If tag-based (802.1Q) VLANs are set up on the switch, type the VID to associate with the MAC address.
4. Press **Ctrl + A** to go back to the action menu, and then select **<Save>** to save all configured values.



Out-of-band Management

HGMS224 24-Port 10/100 + 2-Port Gigabit Module Managed Switch

```
Intelligent Switch : Add Filter MAC Address
=====

Mac Address :000000001A01

Vlan ID      :2

actions->      <Edit>          <Save>          <Quit>
Save successfully!press any key to return!
Tab=Next Item  BackSpace=Previous Item  Quit=Previous menu  Enter=Select Item
```

Edit filter MAC address

1. Press the **<Edit>** key.
2. Choose the MAC address that you want to modify and then press enter.

```
Intelligent Switch : Filter MAC Address Configuration
=====

Mac Address      Vlan ID      Mac Address      Vlan ID
-----
000000000001    1
000000000002    2
000000000003    3

actions->  <Quit>  <Add>  <Edit>  <Delete>  <Previous Page>  <Next Page>
Add/Edit/Delete a Mac.
Tab=Next Item  BackSpace=Previous Item  Space=Toggle  Ctrl+A=Action menu
```



Out-of-band Management

HGMS224 24-Port 10/100 + 2-Port Gigabit Module Managed Switch

3. Press **<Edit>** to modify all the items.
4. Press **Ctrl + A** to go back to the action menu, and then select **<Save>** to save all configured values.

```
Intelligent Switch : Edit Filter MAC Address
=====

Mac Address :000000000001
Vlan ID    :1

actions->      <Edit>          <Save>          <Quit>
Can not modify for Read Only item.
Tab=Next Item  BackSpace=Previous Item  Space=Toggle  Ctrl+A=Action menu
```

Delete filter MAC address

1. Press **<Delete>** to delete a filter MAC address.
2. Choose the MAC address that you want to delete and then press enter.
3. Pressing **<Enter>** once will complete the deletion.



Out-of-band Management

HGMS224 24-Port 10/100 + 2-Port Gigabit Module Managed Switch

```
Intelligent Switch : Filter MAC Address Configuration
=====
Mac Address      Vlan ID          Mac Address      Vlan ID
-----
0000000000001   1
0000000000002   2
0000000000003   3

actions-> <Quit> <Add> <Edit> <Delete> <Previous Page> <Next Page>
Add/Edit/Delete a Mac.
Tab=Next Item BackSpace=Previous Item Quit=Previous menu Enter=Select Item
```



7.3 Protocol Related Configuration

```
Intelligent Switch : The Protocol Related configuration
=====

  STP

  SNMP

  GVRP

  IGMP

  DHCP

  LACP

  802.1X

  Previous Menu

Configure the Spanning Tree Protocol.
Tab=Next Item      BackSpace=Previous Item      Enter=Select Item
```

7.3.1 Spanning-Tree Protocol

The Spanning-Tree Protocol (STP) is a standardized method (IEEE 802.1D) for avoiding loops in switched networks. When STP is enabled, it ensures that only one path at a time is active between any two nodes on the network.

```
Intelligent Switch : Spanning Tree Protocol
=====

  STP Enable

  System Configuration

  Perport Configuration

  Previous Menu

Enabled or disabled the Spanning Tree Protocol.
Tab=Next Item      BackSpace=Previous Item      Enter=Select Item
```




Out-of-band Management

HGMS224 24-Port 10/100 + 2-Port Gigabit Module Managed Switch

7.3.1.1 Enabling STP

This page allows you to enable or disable the Spanning Tree function. Press **Spacebar** to select “Enabled” or “Disabled”.

```
Intelligent Switch : STP Enabled/Disabled Configuration
=====

STP :Enabled

actions->      <Edit>          <Save>          <Quit>
                Select the action menu.
Tab=Next Item  BackSpace=Previous Item  Quit=Previous menu  Enter=Select Item
```



7.3.1.2 STP System Configuration

```
Intelligent Switch : STP System Configuration
=====

Root Bridge Information          Configure Spanning Tree Parameters
-----
Priority       : 32768           Priority (0-65535) : 32768
Mac Address   : 000A17000001    Max Age (6-40)    : 20
Root_Path_Cost : 0              Hello Time (1-10) : 2
Root Port     : Root            Forward_Delay_Time(4-30) : 15
Max Age       : 20
Hello Time    : 2
Forward Delay : 15

actions->      <Edit>          <Save>          <Quit>
Select the action menu.
Tab=Next Item BackSpace=Previous Item Quit=Previous menu Enter=Select Item
```

1. You can view the spanning tree information about the Root Bridge on the left.
2. On the right, you can set new values for the STP parameters.

NOTE: For parameter descriptions, please see *Section 2-4-8*.



Out-of-band Management

HGMS224 24-Port 10/100 + 2-Port Gigabit Module Managed Switch

7.3.1.3 Per Port Configuration

```
Intelligent Switch : STP Port Configuration
=====
```

Port	PortState	PathCost	Priority
PORT1	Forwarding	10	128
PORT2	Forwarding	10	128
PORT3	Forwarding	10	128
PORT4	Forwarding	10	128
PORT5	Forwarding	10	128
PORT6	Forwarding	10	128
PORT7	Forwarding	10	128
PORT8	Forwarding	10	128

```
actions->  <Quit>      <Edit>      <Save>      <Previous Page>  <Next Page>
Select the Action menu.
Tab=Next Item  BackSpace=Previous Item  CTRL+A=Action menu  Enter=Select Item
```

1. **PortState:** Displays the spanning tree status for each port – whether the port is forwarding or blocking.
2. Select **<Edit>**.
3. **PathCost:** Specifies the path cost of the port that the switch uses to determine which ports are the forwarding ports.
4. **Priority:** This specifies the priority of port; you can make it more or less likely to become the root port.
5. Press **Ctrl +A** to go back to the action menu.
6. Select **<Save>** to save all configured values.
7. On the action menu line you can press **<Next Page>** to configure ports 9-26; press **<Previous Page>** to return to the last page.

NOTE: For parameter descriptions, please see *Section 2-4-8*.



Out-of-band Management

HGMS224 24-Port 10/100 + 2-Port Gigabit Module Managed Switch

7.3.2 SNMP

Any network management running the Simple Network Management Protocol (SNMP) can be used to manage the switch. Use this page to define management stations as trap managers and to enter SNMP community strings. You can also define a name, location, and contact person for the switch.

```
Intelligent Switch : SNMP Configuration
=====

System Options
Community Strings
Trap Managers
Previous Menu

Configure the system information.
Tab=Next Item      BackSpace=Previous Item      Enter=Select Item
```



7.3.2.1 System Options

```
Intelligent switch : System Options Configuration
=====

System Name :
  Intelligent 24+2 switch

System Contact :
  Root

System Location :
  Local

actions->      <Edit>          <Save>          <quit>
                Select the action menu.
Tab=Next Item  BackSpace=Previous Item  CTRL+A=Action menu  Enter=Select Item
```

1. Press **<Edit>**.
2. **System Name:** Type a name to be used for the switch.
3. **System Contact:** Type the name of contact person or organization.
4. **System Location:** Type the location of the switch.
5. Press **Ctrl + A** to go back to the action menu.
6. Press **<Save>** to save the configured values.



Out-of-band Management

HGMS224 24-Port 10/100 + 2-Port Gigabit Module Managed Switch

7.3.2.2 Community Strings

Use this page to Add/ Edit/ Delete SNMP community strings.

1. **Community Name:** The name of current strings.
2. **Write Access:** Indicates if the rights are read-only or read-write.
 - Restricted:** Read-only - enables requests accompanied by this string to display MIB-object information.
 - Unrestricted:** Read-write - enables requests accompanied by this string to display MIB-object information and to set MIB objects.

```
Intelligent Switch : SNMP Community Configuration
=====
Community Name      Write Access
-----
public              Restricted
private             Unrestricted

actions->          <Add>          <Edit>          <Delete>          <Quit>
Add/Edit/Delete community strings.
Tab=Next Item  BackSpace=Previous Item  CTRL+A=Action menu  Enter=Select Item
```



Out-of-band Management

HGMS224 24-Port 10/100 + 2-Port Gigabit Module Managed Switch

Add Community Name

1. Press **<Add>** --> **<Edit>** key.
2. **Community Name:** Type the community name.
3. **Write Access:** Press **Space** key to select the right is restricted or unrestricted.

```
Intelligent Switch : Add SNMP Community
=====

Community Name :Command1
Write Access   :Restricted

actions->      <Edit>          <Save>          <Quit>
Select the action menu.
Tab=Next Item BackSpace=Previous Item Space=Toggle Ctrl+A=Action menu
```

Edit Community Name

1. Press **<Edit>**, choose the item that you want to modify, and then press **Enter**.
2. **Community Name:** Type the new name.
3. **Write Access:** Press **Spacebar** to set the rights to “Restricted” or “Unrestricted”.

```
Intelligent Switch : Edit SNMP Community
=====

Community Name :public
Write Access   :Restricted

actions->      <Edit>          <Save>          <Quit>
Select the action menu.
Tab=Next Item BackSpace=Previous Item Quit=Previous menu Enter=Select Item
```



Out-of-band Management

HGMS224 24-Port 10/100 + 2-Port Gigabit Module Managed Switch

Delete Community Name

1. Press **<Delete>** key.
2. Choose the community name that you want to delete and then press enter.
3. When pressing **<Enter>** once will complete deletion in delete mode.

```
Intelligent Switch : SNMP Community Configuration
=====
Community Name      Write Access
-----
public              Restricted
private             Unrestricted
Command1           Restricted

actions->          <Add>          <Edit>          <Delete>          <Quit>
Delete SNMP community strings.
Tab=Next Item  BackSpace=Previous Item  CTRL+A=Action menu  Enter=Select Item
```




Out-of-band Management

HGMS224 24-Port 10/100 + 2-Port Gigabit Module Managed Switch

7.3.2.3 Trap Managers

A trap manager is a management station that receives traps, the system alerts generated by the switch. If no trap manager is defined, no traps are issued. Create a trap manager by entering the IP address of the station and a community string.

```
Intelligent Switch : Trap Managers Configuration
=====
IP                      Community Name
-----
actions->  <Add>      <Edit>      <Delete>      <Quit>
Add/Edit/Delete trap managers.
Tab=Next Item BackSpace=Previous Item Quit=Previous menu Enter=Select Item
```

Add SNMP trap manager

1. Press **<Add>**, **<Edit>** to add the trap manager.
2. **IP:** Type the IP address.
3. **Community Name:** Type the community name.
4. Press **Ctrl +A** to go to the actions menu. Press **<Save>** key to save all configured values.



Out-of-band Management

HGMS224 24-Port 10/100 + 2-Port Gigabit Module Managed Switch

```
Intelligent Switch : Add SNMP Trap Manager
=====

IP :192.168.1.234

Community Name :public

actions->          <Edit>          <Save>          <Quit>
                  Select the action menu.
Tab=Next Item  BackSpace=Previous Item  CTRL+A=Action menu  Enter=Select Item
```

Edit trap managers

1. Press **<Edit>** key, and then choose the item that you want to modify.
2. **IP:** Type the new IP address
3. **Community Name:** Type the community name.
4. Press **Ctrl +A** go to actions line, press **<Save>** key to save all configure.

```
Intelligent Switch : Edit Trap Managers
=====

IP :192.168.1.234

Community Name :public

actions->          <Edit>          <Save>          <Quit>
                  Select the action menu.
Tab=Next Item  BackSpace=Previous Item  Quit=Previous menu  Enter=Select Item
```



Out-of-band Management

HGMS224 24-Port 10/100 + 2-Port Gigabit Module Managed Switch

Delete trap manager

1. Press the **<Delete>** key.
2. Choose the trap manager that you want to delete and then press **Enter**.
3. Pressing **<Enter>** once will complete deletion in delete mode.

```
Intelligent Switch : Trap Managers Configuration
=====
IP                      Community Name
-----
192.168.1.234          public

actions->      <Add>          <Edit>          <Delete>          <Quit>
Delete SNMP trap managers.
Tab=Next Item  BackSpace=Previous Item  Quit=Previous menu  Enter=Select Item
```



Out-of-band Management

HGMS224 24-Port 10/100 + 2-Port Gigabit Module Managed Switch

7.3.3 GVRP

GVRP (GARP [Generic Attribute Registration Protocol] VLAN Registration Protocol)

GVRP allows automatic VLAN configuration between the switch and corresponding nodes. For example, if the switch is connected to a device with GVRP enabled, you can activate this setting to allow dynamic VLAN configuration information to be processed by the switch. If a device sends a GVRP request using the VID of a VLAN defined on the switch, the switch will automatically add that device to the existing VLAN.

From this page, you can enable/disable the GVRP (GARP VLAN Registration Protocol) support.

```
Intelligent Switch : GVRP Configuration
=====

GVRP : Enabled

actions->      <Edit>          <Save>          <Quit>
Select the action menu.
Tab=Next Item BackSpace=Previous Item Space=Toggle Ctrl+A=Action menu
```

1. Select **<Edit>**.
2. Press **Spacebar** to choose enable/disable.
3. Press **Ctrl + A** to go back to the action menu.
4. Select **<Save>** to save configured values.

Note: GVRP must also be enabled on participating network nodes.



Out-of-band Management

HGMS224 24-Port 10/100 + 2-Port Gigabit Module Managed Switch

7.3.4 IGMP

The Internet Group Management Protocol (IGMP) is an internal protocol of the Internet Protocol (IP) suite.

This page you can enable / disable the IGMP support.

```
Intelligent Switch : IGMP Configuration
=====

IGMP : Enabled

actions->      <Edit>          <Save>          <Quit>
              select the action menu.
Tab=Next Item  BackSpace=Previous Item  Space=Toggle  Ctrl+A=Action menu
```

1. Select **<Edit>**.
2. Press **Spacebar** to choose enabled / disabled.
3. Press **Ctrl + A** to go back to the action menu.
4. Select **<Save>** to save configured values.



Out-of-band Management

HGMS224 24-Port 10/100 + 2-Port Gigabit Module Managed Switch

7.3.4.1 LACP (Link Aggregation Control Protocol)

This page can configure and view the LACP status.

```
Intelligent Switch : LACP Configuration
=====

Working Ports Setting

State Activity
LACP Status
Previous Menu

LACP setting.
Tab=Next Item      BackSpace=Previous Item      Enter=Select Item
```

Note: All ports support LACP dynamic trunking groups. If connecting to a device that also supports LACP, the LACP dynamic trunking group will be created automatically.

7.3.4.2 Working Port Setting

This page can set the actual work ports within the trunk group.

```
Intelligent Switch : LACP Group Configuration
=====

Group      LACP Work Port Num
-----
TRK2      2

<Edit>          <Save>          <Quit>
Select the action menu.
m BackSpace=Previous Item  Space=Toggle  Ctrl+A=Action menu
```



Out-of-band Management

HGMS224 24-Port 10/100 + 2-Port Gigabit Module Managed Switch

1. Select **<Edit>**.
2. **Group:** Displays the trunk group ID.
3. **LACP:** Displays the trunk group's LACP status.
4. **LACP Work Port Num:** The maximum number of ports that can be aggregated at the same time. If the group is LACP static trunking, the excess ports are standby and able to aggregate if work ports fail. If the group is local static trunking, the number of ports must be the same as the group member ports.

NOTE: Before setting this page, you first have to set trunk groups on the *Trunk Configuration* page.

7.3.4.3 State Activity

```
Intelligent Switch : LACP Port State Active Configuration
=====
Port          State Activity          Port          State Activity
-----
5             Active
6             Active
7             Passive
8             Passive

tions->      <Edit>          <Save>          <Quit>
Save successfully!press any key to return!
=Next Item BackSpace=Previous Item Quit=Previous menu Enter=Select Item
```

1. Select **<Edit>**.
2. Press **Space** key to choose the item.
Active: The port automatically sends LACP protocol packets.
Passive: The port does not automatically send LACP protocol packets, and responds only if it receives LACP protocol packets from the opposite device.
3. Press **Ctrl + A** go back action menu line.
4. Select **<Save>** to save configure value.

NOTE: If you set a trunk group to LACP mode, all of the member ports of this trunk group will automatically be set to "Active".



Out-of-band Management

HGMS224 24-Port 10/100 + 2-Port Gigabit Module Managed Switch

7.3.4.4 LACP Status

When you're setting trunking group, you can see the relational information here.

Static trunk group

```
Intelligent Switch : LACP Group Status
=====

                Static Trunking Group

Group Key : 1
Port_No   : 1 2 3 4

<Quit>      <Previous Page>   <Next Page>
Select the action menu.
m BackSpace=Previous Item Quit=Previous menu Enter=Select Item
```

LACP trunk group

```
Intelligent Switch : LACP Group Status
=====

                Group

[Actor]                [Partner]

Priority: 1                1
MAC : 004063809988        004063808899

Port_No  Key  Priority  Active  Port_No  Key  Priority
5        514  1        selected  5        514  1
6        514  1        selected  6        514  1
7        514  1        selected  7        514  1
8        514  1        selected  8        514  1

actions-> <Quit>      <Previous Page>   <Next Page>
Select the action menu.
ab=Next Item BackSpace=Previous Item Quit=Previous menu Enter=Select Item
```




Out-of-band Management

HGMS224 24-Port 10/100 + 2-Port Gigabit Module Managed Switch

<Quit>: Exit this page and return to previous menu.

<Previous Page>: Return to previous page to view.

<Next page>: Go to next page to view.

7.3.5 802.1x Protocol

From this page, you can configure and view the 802.1x status.

```
Intelligent Switch : 802.1x protocol
=====

      802.1x Enable
      System Configuration
      Misc Configuration
      Previous Menu

Enabled or disabled the 802.1x Protocol.
Tab=Next Item      BackSpace=Previous Item      Enter=Select Item
```



Out-of-band Management

HGMS224 24-Port 10/100 + 2-Port Gigabit Module Managed Switch

7.3.5.1 Enable 802.1x

```
Intelligent Switch : 802.1x Enabled/Disabled Configuration
=====

802.1x : Enabled

actions->      <Edit>          <Save>          <Quit>
                Select the action menu.
Tab=Next Item BackSpace=Previous Item Quit=Previous menu Enter=Select Item
```

1. Select **<Edit>**.
2. Press **Spacebar** to choose enabled/disabled.
3. Press **Ctrl + A** go back to the action menu.
4. Select **<Save>** to save configure value.

7.3.5.2 802.1x System Configuration

```
Intelligent Switch : 802.1x System Configuration
=====

Radius Server IP : 192.168.221.72
Shared Key : 12345678
NAS,Identifier: NAS_L2_SWITCH
Server Port: 1812
Accounting Port: 1813

(Force Unauth=Fu, Force Auth=Fa, Auto=Au, None=No):
01 02 03 04 05 06 07 08 09 10 11 12 13 14 15 16 17 18 19 20 21 22 23 24 M1 M2
No No Au Au Au No No No No No No No No No No No No No No No No No No

actions->      <Edit>          <Save>          <Quit>
                Select the action menu.
Tab=Next Item BackSpace=Previous Item Quit=Previous menu Enter=Select Item
```



Out-of-band Management

HGMS224 24-Port 10/100 + 2-Port Gigabit Module Managed Switch

1. Press **<Edit>**.
2. **Radius Server IP Address:** the IP address of the authentication server.
3. **Shared Key:** A key shared between this switch and the authentication server.
4. **NAS, Identifier:** A string used to identify this switch.
5. **Server Port:** The UDP port number used by the authentication server to authenticate.
6. **Accounting Port:** The UDP port number used by the authentication server to retrieve accounting information.
7. Press **Ctrl + A** to go back to the action menu.
8. Press **<Save>** to save configured values.

Note:

Fu: Forces a specific port to be unauthorized.

Fa: Forces a specific port to be authorized.

Au: The state of the specific port is determined by the outcome of the authentication.

No: The specific port doesn't support the 802.1x function.

7.3.5.3 802.1x Misc Configuration

```
Intelligent Switch : 802.1x Misc Configuration
=====

Quiet-period <0..65535,default=60>      : 60
Tx-period <0..65535,default=30>          : 30
Supplicant-timeout <1..300,default=30>   : 30
Server-timeout <1..300,default=30>       : 30
ReAuthMax <1..10,default=2>              : 2
Reauth-period <1..999999,default=3600>   :3600

actions->      <Edit>          <Save>          <Quit>
                Select the action menu.
Tab=Next Item BackSpace=Previous Item Quit=Previous menu Enter=Select Item
```

1. Press **<Edit>**.
2. **Quiet Period:** Used to define periods of time during which it will not attempt to acquire a supplicant (default time is 60 seconds).



Out-of-band Management

HGMS224 24-Port 10/100 + 2-Port Gigabit Module Managed Switch

3. **Tx Period:** Used to determine when an EAPOL PDU is to be transmitted (default value is 30 seconds).
4. **Supplicant Timeout:** Used to determine timeout conditions in the exchanges between the supplicant and authentication server (default value is 30 seconds).
5. **Server Timeout:** Used to determine timeout conditions in the exchanges between the authenticator and authentication server (default value is 30 seconds).
6. **Re-AuthMax:** Used to determine the number of re-authentication attempts that are permitted before a specific port becomes unauthorized (default value is 2 times).
7. **Re-Auth Period:** Used to determine a non-zero number of seconds between periodic re-authentication of the supplications (default value is 3600 seconds).
8. Press **Ctrl + A** to go back to the action menu.
9. Press **<Save>** to save configured values.

7.4 Status and Counters

```
Intelligent Switch : Status and Counters
=====

Port Status
Port Counters
System Information
Main Menu

Display current status of all the switch ports.
Tab=Next Item      BackSpace=Previous Item      Enter=Select Item
```

You can press the **Tab** or **Backspace** key to choose an item, and then press **Enter** to select the item.



Out-of-band Management

HGMS224 24-Port 10/100 + 2-Port Gigabit Module Managed Switch

7.4.1 Port Status

This page displays the status of every port.

```
Intelligent Switch : Port Status
=====
```

Port	Link Status	InRate (100K)	OutRate (100K)	Enable	Auto	Spd/Dpx	Flow Control
PORT1	Down	0	0	Yes	AUTO	10 Half	off
PORT2	Down	0	0	Yes	AUTO	10 Half	off
PORT3	Down	0	0	Yes	AUTO	10 Half	off
PORT4	Down	0	0	Yes	AUTO	10 Half	off
PORT5	Down	0	0	Yes	AUTO	10 Half	off
PORT6	Down	0	0	Yes	AUTO	10 Half	off
PORT7	Down	0	0	Yes	AUTO	10 Half	off
PORT8	Down	0	0	Yes	AUTO	10 Half	off

```
actions-> <Quit> <Previous Page> <Next Page>
Select the action menu.
Tab=Next Item BackSpace=Previous Item Quit=Previous menu Enter=Select Item
```

Link Status: Indicates whether the port is linked or not linked.

InRate: Displays the input rate control (100K/unit) setting value.

OutRate: Displays the output rate control (100K/unit) setting value.

Enabled: Indicates whether the port is enabled or disabled. This depends on the user setting. “Enabled” will be displayed as “Yes”, “disabled” will be displayed as “No”. If the port is unlinked, it will be listed as “No”.

Auto: Indicates the port’s setting in N-way mode: Auto , Nway_Force , Force.

Spd/Dpx: Displays the port speed and duplex.

FlowCtrl: Displays whether the flow control status is enabled or disabled (in auto/N-way force mode) after negotiation. In force mode, the flow control status is displayed (enabled or disabled), depending on the user setting.



Out-of-band Management

HGMS224 24-Port 10/100 + 2-Port Gigabit Module Managed Switch

<Quit>: Exit the “Port Status” page, and then return to the previous menu.

<Previous Page>: Displays the previous page.

<Next page>: Displays the next page.

7.4.2 Port Counters

The following information provides a view of the current status of the unit.

```
Intelligent Switch : Port Counters
=====
```

Port	TxGoodPkt	TxBadPkt	RxGoodPkt	RxBadPkt	TxAbort	Collision	DropPkt
PORT1	0	0	0	0	0	0	0
PORT2	0	0	0	0	0	0	0
PORT3	0	0	0	0	0	0	0
PORT4	0	0	0	0	0	0	0
PORT5	0	0	0	0	0	0	0
PORT6	0	0	0	0	0	0	0
PORT7	0	0	0	0	0	0	0
PORT8	0	0	0	0	0	0	0

```
actions-> <Quit> <Reset All> <Previous Page> <Next Page>
          Configure the action menu.
Tab=Next Item BackSpace=Previous Item Quit=Previous menu Enter=Select Item
```

<Quit>: Exit the “Port Status” page and return to the previous menu.

<Reset All>: Set all counters to 0.

<Previous Page>: Displays the previous page.

<Next page>: Displays the next page.



Out-of-band Management

HGMS224 24-Port 10/100 + 2-Port Gigabit Module Managed Switch

7.4.3 System Information

MAC Address: The unique hardware address assigned by the manufacturer.

Firmware Version: Displays the switch's firmware version.

ASIC Version: Displays the switch's hardware version.

PCBA version: Displays the board number.

Serial number: Displays the serial number assigned by the manufacturer.

Module 1 Type: Displays the module 1 type: 1000Tx or 100Fx ext. Depends on module card mode.

Module 1 information: Displays the information saved in EEPROM of module 1.

Module 2 Type: Displays the module 2 type: 1000Tx or 100Fx ext. Depends on module card mode.

Module 2 information: Displays the information saved in EEPROM of module 2.

```
Intelligent Switch : System Information
=====

MAC Address           : 004063809988
Firmware version      : 2.5
ASIC version          : A7.0
PCBA version          : 1.0
Serial number         :
Module 1 Type         : 1000Tx
Module 1 information  : N/A
Module 2 Type         : 1000Tx
Module 2 information  : N/A

Display the switch system.
Esc=Previous menu
```



7.5 Reboot Switch

```
Intelligent Switch : Restart Configuration
=====

Default
Restart
Previous Menu

Recovering to default.
Tab=Next Item      BackSpace=Previous Item      Enter=Select Item
```

7.5.1 Default

Resets the switch to its default configuration. For default settings, please see *Section 2-4-14*.

```
Resetting to the default will restart the system automatically!
Do you want to continue? (y/n)
```

7.5.2 Restart

Reboot the switch in software reset.



Out-of-band Management

HGMS224 24-Port 10/100 + 2-Port Gigabit Module Managed Switch

7.6 TFTP Firmware Update

This page provides you with the option to update the firmware, restore the EEPROM values, or upload current EEPROM values.

```
Intelligent Switch : TFTP Update firmware Configuration
=====

TFTP Update Firmware
TFTP Restore configuration
TFTP Backup configuration
Previous Menu

Use TFTP to update firmware.
Tab=Next Item   BackSpace=Previous Item   Enter=Select Item
```



Out-of-band Management

HGMS224 24-Port 10/100 + 2-Port Gigabit Module Managed Switch

7.6.1 TFTP Firmware Update

This page allows you to use TFTP to update the firmware.

```
Intelligent Switch : TFTP Update Firmware
=====

TFTP Server       : 192.168.223.99
Remote File Name  : image.bin

actions-> <Edit> <Save> <Quit>
          Select the action menu.
Tab=Next Item BackSpace=Previous Item Quit=Previous menu Enter=Select Item
```

1. Start the TFTP server, and copy the firmware update version image file to the TFTP server.
2. Press **<Edit>** on this page.
3. **TFTP Server:** Type the IP of the TFTP server.
4. **Remote File Name:** Type the image file name.
5. Press **Ctrl + A** to go to the action menu.
6. Press **<Save>**, and the image file will begin to download.
7. When saved successfully, the image file will have finished downloading as well.
8. Restart the switch.

7.6.2 Restore Configure File

From this page, you can restore the EEPROM values, save the image file from before, and form the TFTP server.



Out-of-band Management

HGMS224 24-Port 10/100 + 2-Port Gigabit Module Managed Switch

```
Intelligent Switch : Restore Configuration File
=====

TFTP Server       : 192.168.223.99
Remote File Name  : data.dat

actions->         <Edit>           <Save>           <Quit>
                  Select the action menu.
Tab=Next Item  BackSpace=Previous Item  Quit=Previous menu  Enter=select Item
```

1. Start the TFTP server.
2. Press <Edit> on this page.
3. **TFTP Server:** Type the IP of TFTP server.
4. **Remote File Name:** Type the image file name.
5. Press **Ctrl + A** go to action line.
6. Press <Save>, and the image file will begin to download.
7. When saved successfully, the image file will have finished downloading as well.
8. Restart the switch.



Out-of-band Management

HGMS224 24-Port 10/100 + 2-Port Gigabit Module Managed Switch

7.6.3 Backup Configure File

In this page, you can save the current EEPROM value to the image file. Then go to the update configure page to restore the EEPROM value.

```
Intelligent Switch : Backup Configuration File
=====

TFTP Server       : 192.168.223.99
Remote File Name  : data.dat

actions->         <Edit>           <Save>           <Quit>
Select the action menu.
Tab=Next Item  BackSpace=Previous Item  Quit=Previous menu  Enter=Select Item
```

1. Start the TFTP server.
2. Press **<Edit>** on this page.
3. **TFTP Server:** Type the IP of the TFTP server.
4. **Remote File Name:** Type the image file name.
5. Press **Ctrl + A** to go back to the action menu line.
6. Press **<Save>**, and the image file will begin to download.
7. When saved successfully, the image file will have finished downloading as well.
8. Restart the switch.



Application Examples

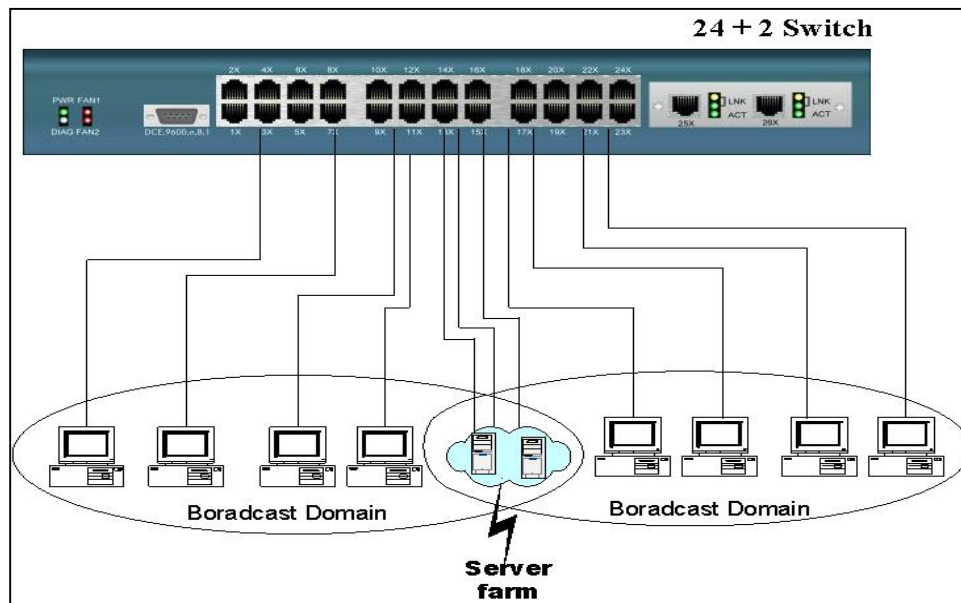
HGMS224 24-Port 10/100 + 2-Port Gigabit Module Managed Switch

5.1 VLAN Application Used with Switch

VLANs provide a simple solution for protecting your network against broadcast storming by creating segments based on Layer 2 Ethernet information and avoiding the complexity and heavy processing requirements of Layer 3 IP based routers.

As a result, each group of stations connected to separate segmented ports forms a different isolated broadcast domain. The broadcast sharing ports should be used to connect servers and other common services, such as Internet access, that are used by all the stations connected to the different segmented ports.

A Virtual LAN, or VLAN, is generally defined as a broadcast domain. It can be viewed as a group of end nodes, possibly on different physical network segments, which can communicate with each other.





Benefits of VLANs:

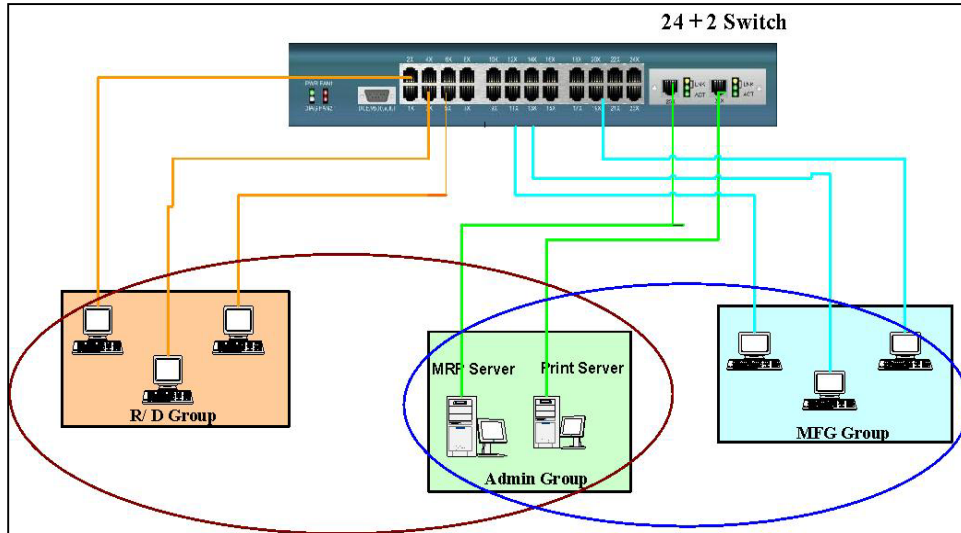
- Grouping users into logical networks for performance enhancement.
- Provide effective broadcast containment between segmented ports, which prevents flooding of a network.
- Offers security by completely isolating from each other the different broadcast domains connected on separate segmented ports.
- Preserving current investment in equipment and cabling.
- Providing an easy, flexible, and economic way to modify logical groups when needed.
- Network administrators can easily "fine tune" the network.
- Keeping network structure from the physical topology of the cabling.
- Making large networks more manageable.

You can group users according to some shared characteristic, such as a common business function or a common protocol. A single switch may have several independent VLANs within it. On the following page is an example in which an R&D, Manufacturing and Administration group can be partitioned into two different VLAN groups. Even members in different groups cannot talk directly, but they still share the same server, such as an MRP server, printer server in the Administration group, etc.



Application Examples

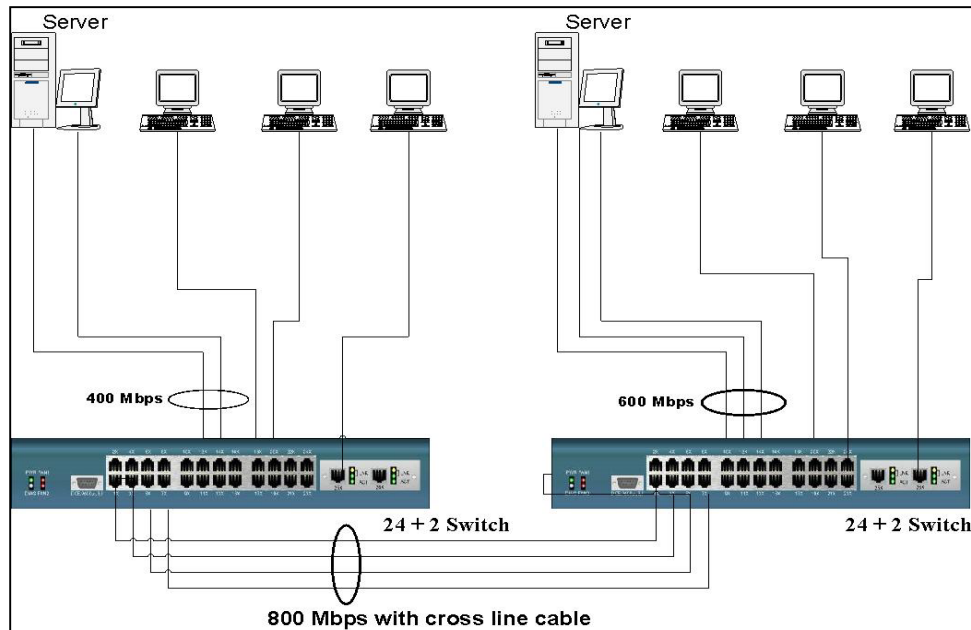
HGMS224 24-Port 10/100 + 2-Port Gigabit Module Managed Switch





5.2 Trunking Application Used with Switch

Trunking allows you to increase the available bandwidth between switches by grouping ports into a trunk. Trunking can also be used to connect a server to switches if higher bandwidth service is required. You can use trunking to improve the throughput between segments. Moreover, this switch provides trunking with a fail-over function. When one of the links of a trunk fails or breaks, the traffic originally moving through that link will automatically be re-directed to other links of the trunk. This gives the trunk redundancy and greatly increases the value of trunking.



Free Manuals Download Website

<http://myh66.com>

<http://usermanuals.us>

<http://www.somanuals.com>

<http://www.4manuals.cc>

<http://www.manual-lib.com>

<http://www.404manual.com>

<http://www.luxmanual.com>

<http://aubethermostatmanual.com>

Golf course search by state

<http://golfingnear.com>

Email search by domain

<http://emailbydomain.com>

Auto manuals search

<http://auto.somanuals.com>

TV manuals search

<http://tv.somanuals.com>