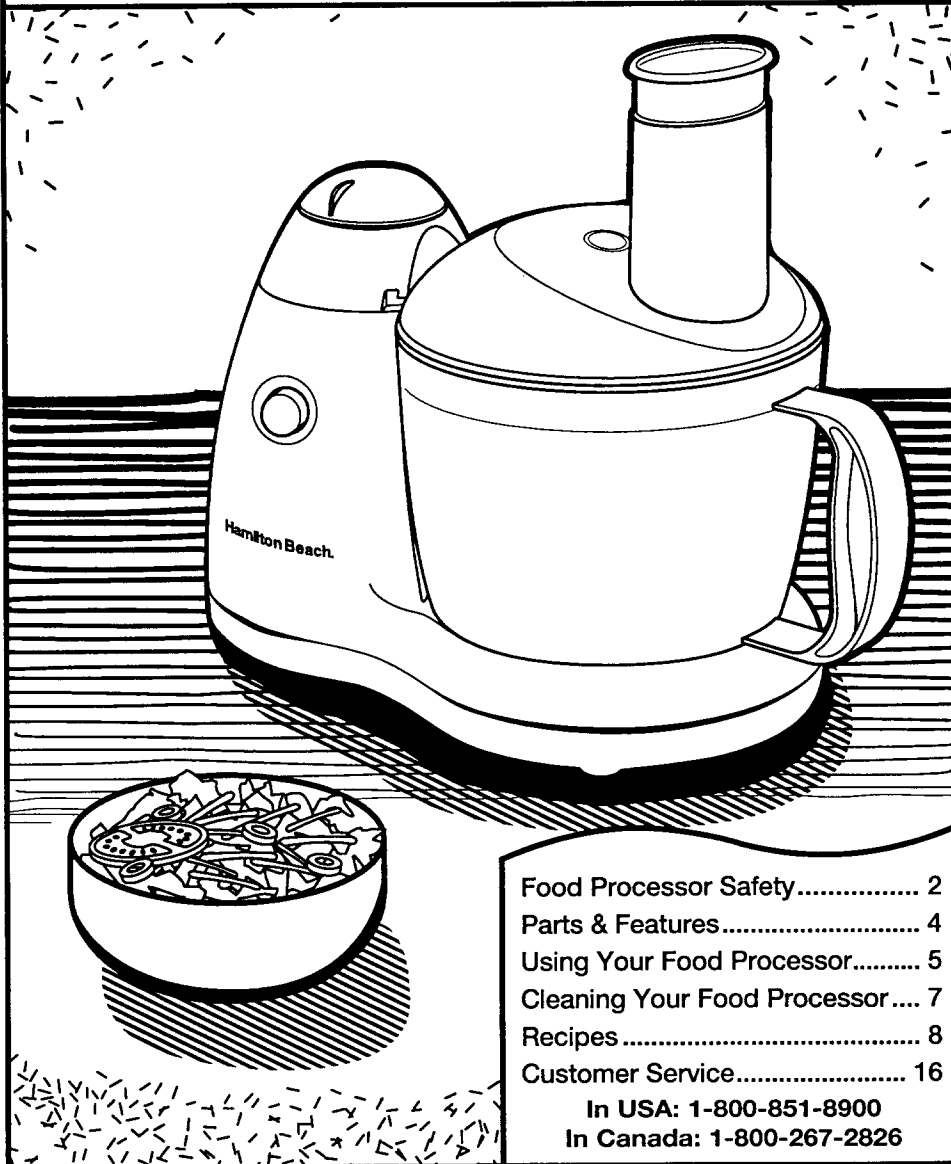


ac

11/14/00

Hamilton Beach. *Food Processor*



Food Processor Safety.....	2
Parts & Features.....	4
Using Your Food Processor.....	5
Cleaning Your Food Processor	7
Recipes.....	8
Customer Service.....	16
In USA: 1-800-851-8900	
In Canada: 1-800-267-2826	

5 1/2" X 8 1/2"
 32 PAGES
 ENGLISH
 FRENCH
 BLACK INK
 NO BLEEDS
 FLIP
 SADDLE

840075900

RECORD PRINT
Issued On

NOV 14 2000

150
SD

Food Processor Safety

IMPORTANT SAFEGUARDS

When using electrical appliances, basic safety precautions should always be followed, including the following:

1. Read and save all instructions.
2. To protect against risk of electrical shock, do not immerse base, motor, cord, or plug in water or other liquid.
3. Close supervision is necessary when using this appliance near children.
4. This appliance should not be used by children.
5. Unplug cord from outlet when not in use, before putting on or taking off parts, and before cleaning.
6. Avoid contacting moving parts. Keep fingers out of discharge opening.
7. Do not operate any appliance with a damaged cord or plug or after the appliance malfunctions or is dropped or damaged in any manner. Call our toll-free customer service number for information on examination, repair or electrical or mechanical adjustment.
8. The use of attachments not recommended or sold by Hamilton Beach/Proctor-Silex, Inc. may cause fire, electric shock, or injury.
9. Do not use your food processor if any part is broken.
10. Do not use appliance outdoors.
11. Do not let cord hang over edge of table or counter, or touch hot surfaces.
12. Never feed food into food chute by hand when slicing or shredding food. Always use food pusher.
13. The blade and disc are sharp. Handle carefully. Store out of reach of children.
14. Make sure the blade or disc has come to a full stop before removing cover.
15. Be certain cover is securely locked in place before operating appliance.
16. To reduce the risk of injury, never place cutting blade or disc on base without first putting bowl properly in place.
17. Keep hands and utensils away from moving blade and disc while processing food to reduce the risk of severe personal injury and/or damage to the food processor. A rubber scraper may be used but **ONLY** when the food processor is not running.
18. Do not attempt to defeat the cover interlock mechanism.
19. To reduce the risk of injury, be sure to insert or remove blade and disc using hubs provided for this purpose. Use caution when removing blade and disc from the bowl, when emptying the bowl, and when cleaning.
20. Be sure to turn switch to OFF position after each use. Always use the pusher to clear the food chute. When this method is not possible, turn the motor off and disassemble unit to remove the remaining food.
21. The appliance is not intended for commercial, professional or industrial use. It is designed and built exclusively for domestic use only.
22. Never use appliance for a longer period or with a larger amount of ingredients other than that recommended by Hamilton Beach/Proctor-Silex, Inc.
23. The maximum rating of this unit is based on using the S-Blade. Using the Slicing/Shredding Disc may draw significantly less power.
24. Do not place on or near a hot gas or electric burner or in a heated oven.
25. Do not use appliance for other than intended use.

SAVE THESE INSTRUCTIONS!

Consumer Safety Information

This appliance is intended for household use only.

This appliance is equipped with a polarized plug. This type of plug has one blade wider than the other. The plug will fit into an electrical outlet only one way. This is a safety feature intended to help reduce the risk of electrical shock. If you are unable to insert the plug into the outlet, try reversing the plug. If the plug should still fail to fit, contact a qualified electrician to replace the obsolete outlet. Do not attempt to defeat the safety purpose of the polarized plug by modifying the plug in any way.

To avoid an electrical circuit overload, do not use another high wattage appliance on the same circuit with your food processor.

The length of the cord used on this appliance was selected to reduce the hazards of becoming tangled in, or tripping over a longer cord. If a longer cord is necessary, an approved extension cord may be used. The electrical rating of the extension cord must be equal to or greater than the rating of the food processor. Care must be taken to arrange the extension cord so that it will not drape over the countertop or tabletop where it can be pulled on by children or accidentally tripped over.

Before First Use

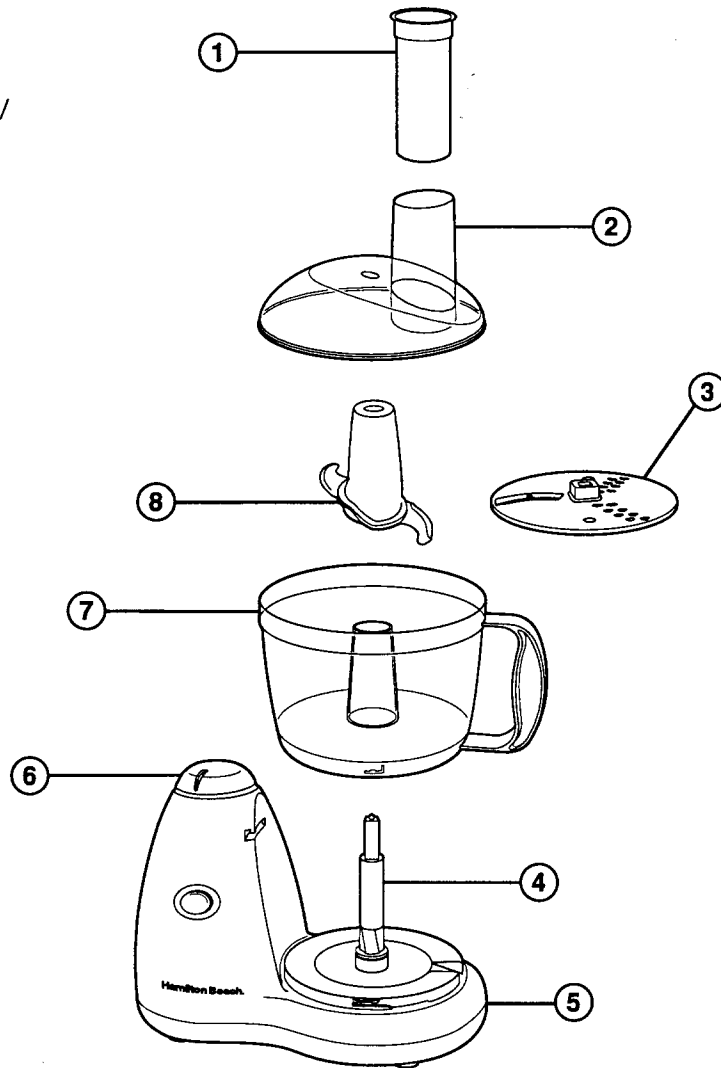
Unpack processor. Handle the S-Blade and Slicing/Shredding Disc carefully; they are very sharp. Wash all parts except the base in hot, soapy water. Rinse then dry. These parts can also be placed in the dishwasher.

Processing Tips and Techniques

- For a uniform consistency when chopping, leave room in the bowl for the food to be tossed around.
- Also for a more uniform consistency, start with pieces of food that are similar in size. Carrots, for example, should all be cut in 1-inch chunks. Do not process 4-inch pieces with ½-inch pieces.
- This food processor is excellent to chop, mix, slice, or shred most foods. However, to maintain peak performance, we do not recommend the following: grinding grain, coffee beans or spices; slicing frozen meat; or crushing ice.
- Do not puree or mash starchy vegetables like potatoes. They will be over-processed in a second and turn gummy.
- Operating time will depend on quantity of food being processed. Most foods can be sliced, chopped, or shredded in seconds. Do not operate processor for more than 1 minute at a time. If processing large quantities, let the processor rest about 1 minute before continuing.

Parts & Features

1. Food Pusher
2. Food Chute
3. Reversible Slicing/
Shredding Disc
4. Motor Shaft
5. Base
6. Control Panel
7. Bowl
8. S-Blade

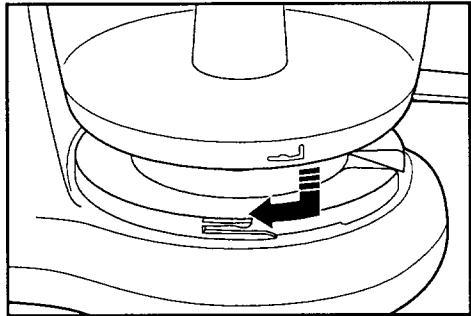


Hints!

- The bowl will hold 8 cups of dry ingredients or 2 cups of liquid. Do not overfill.
- Do not use your food processor to crush ice.
- For consistent texture, foods should be cut into 1-inch cubes before mincing or chopping with the S-Blade.

Using Your Food Processor

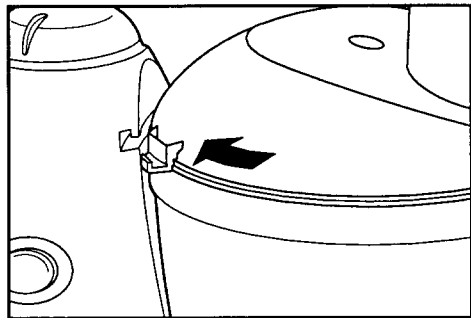
How to Lock the Bowl



Align base and bowl as illustrated. Turn bowl clockwise until it locks into place.

NOTE: The food processor will not work unless the bowl is locked.

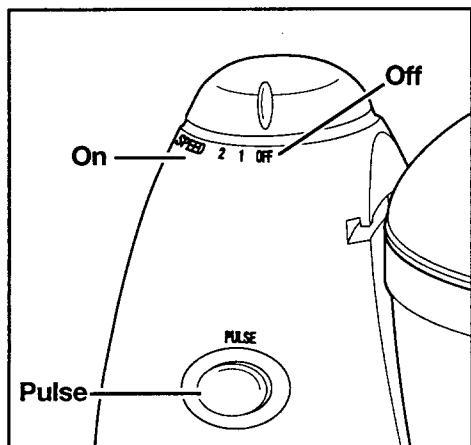
How to Lock the Cover



Align cover as illustrated. Place cover on bowl and turn clockwise until it locks into place.

NOTE: The food processor will not work unless the cover is locked.

How to Operate the Controls

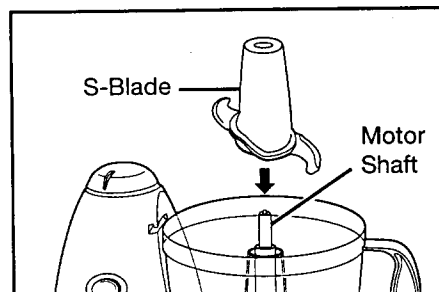


The controls are conveniently located on top of the base. Rotate the knob to select a speed: 1 (Low) or 2 (High). The processor will run continuously. For instant on and off control, use the PULSE button.

Processing Using S-Blade

The S-Blade can be used to coarsely chop, finely mince, mix, or puree food to a smooth consistency.

1. Make sure the Control Switch is turned to OFF and the unit is unplugged.
2. Lock the bowl onto base. (See "How to Lock the Bowl" on page 5.)
3. Place the S-blade onto motor shaft of food processor in center of bowl. Turn slowly until blade drops into place. **Handle carefully; the blade is sharp.**
4. Lock cover onto bowl. (See "How to Lock the Cover" on page 5.) Insert food pusher into food chute.

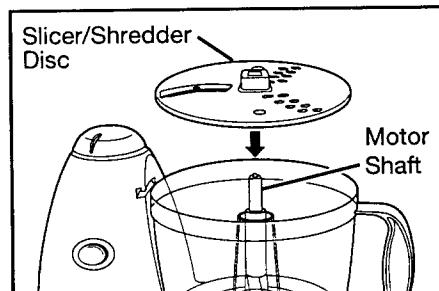


5. Plug in unit and process food. The processing speed and time will determine the finished consistency of the food. The Pulse button can help you avoid overprocessing.

Processing Using Slicer/Shredder




- To slice or shred cheese, select firm cheese like cheddar, monterey jack, or swiss. Place cheese in freezer for 30 minutes before processing.
- The Reversible Slicer/Shredder Disc has a slicing blade on one side and shredding teeth on the other. Place on motor shaft with desired cutting edge facing up.
- To julienne vegetables, slice then remove from bowl and restack the vegetables. Pack into food chute with slices vertical. Slice again to make match-stick cut vegetables.

1. Make sure the Control Switch is turned to OFF and the unit is unplugged.
2. Lock the bowl onto base. (See "How to Lock the Bowl" on page 5.)
3. Put Slicer/Shredder Disc on motor shaft with the desired side facing up for either slicing or shredding. Lock cover onto bowl. (See "How to Lock the Cover" on page 5.)



4. Cut food to fit food chute. Pack food chute tightly with food. Insert food pusher in chute. **Always use the food pusher to feed food into the chute. NEVER PUSH FOOD THROUGH CHUTE WITH HANDS.**
5. Plug in unit and process food.
6. Select speed. While pressing on food pusher, select 1 or 2 for high or low speed or PULSE to process food.
7. When food chute is empty, select OFF or release from PULSE position. **Wait until blade has stopped rotating before removing cover.**

Processing Charts

ATTACHMENT	SPEED	FOODS
Slicer disc (slicing blade facing up) 	Low (1)	Cucumbers, apples, mushrooms
	High (2)	Julienne vegetables
S-Blade 	Low (1)	Chop nuts, mince vegetables
	High (2)	Chop meat, puree food, knead bread dough
Shredder disc (shredding teeth facing up) 	Low (1)	Cabbage
	High (2)	Firm cheeses

For best results do not exceed the following amounts when chopping, mincing, or pureeing with the **S-blade**.

FOOD	MAXIMUM AMOUNT
Fruits and vegetables	1 pound or 2 to 3 cups
Meats	12 ounces or 1½ cups, cubed
Parmesan or Romano cheese	5 ounces, cubed
Cheddar, Jack, or Mozzarella cheese	8 ounces, cubed

Cleaning Your Food Processor

1. Wash the bowl, cover, blade, discs, food gate, and food pusher in hot, soapy water. Rinse and dry thoroughly. These parts may also be washed in a dishwasher.
NOTE: Do not store the food processor with the cover in the locked position, as this may put strain on the interlock tab.
2. Wipe the base, control panel, and cord with a damp cloth or sponge. To remove stubborn soil, use a mild non-abrasive cleanser.
NEVER IMMERSE THE BASE IN WATER OR OTHER LIQUID.
3. To store, place bowl on base. Then place onto the motor shaft, the S-blade and slicing/shredding disc. Place cover on bowl but do not lock.

Recipes

Blue Cheese Dressing

2 cloves garlic	½ cup sour cream
4 ounces blue cheese	¼ cup fresh lemon juice
2 cups mayonnaise	2 tablespoons sugar

Using S-blade, with processor running, drop the garlic cloves into the food chute and mince. Add cheese and process for 10 seconds. Add mayonnaise, sour cream, lemon juice, and sugar. Process until smooth. Keep refrigerated.

Makes 3 cups.

Hummus

2 cloves garlic	2 teaspoons olive oil
2 green onions, white portion and half of green top	¼ teaspoon cumin
15 ounce garbanzo beans (chick peas), drained	dash cayenne
¼ cup tahini (sesame paste), stirred	salt and pepper to taste
3 to 4 tablespoons lemon or lime juice	dash paprika
	pita bread or cut up vegetables, optional

Using S-blade and with processor running, drop garlic cloves and onion into food chute. Then add garbanzo beans, tahini, lemon or lime juice, olive oil, cumin, cayenne, salt, and pepper. Continue to process until smooth, scraping bowl as needed. Place into serving bowl and garnish with paprika. Serve with pita bread and/or vegetables. To store, refrigerate. **Makes about 2 cups.**

Salsa

1 onion, peeled and quartered	¼ cup cilantro, packed
1 clove garlic	½ teaspoon cumin
1 hot pepper (jalapeno or finger hot), cored, seeded and quartered	1 tablespoon lime juice
4 tomatoes, quartered	salt and pepper to taste
	hot sauce, optional

Using S-blade and with processor running, drop onion, garlic cloves, and hot pepper through the food chute and chop until finely minced. Stop processor. Add tomatoes, cilantro, cumin, lime juice, salt, and pepper. Pulse until desired texture. Add hot sauce if desired. **Makes 2 to 3 cups.**

Cranberry Orange Relish

12 ounces fresh cranberries, stems removed or frozen	3 tablespoons Grand Marnier liqueur or orange juice
1 cup sugar	dash ground cloves
1 small navel orange, washed, cut into wedges	

Using S-blade, place cranberries, sugar, orange, Grand Marnier, and cloves into the work bowl. Process until cranberries are almost smooth, yet a bit chunky. Cover and refrigerate overnight. This will thicken as it sits. **Makes about 2½ cups.**

Chicken Puffs

1 lb. cooked chicken, (1½ cups finely chopped chicken)	½ teaspoon each, salt and celery seed
¼ cup packed parsley sprigs	¼ teaspoon each, dry mustard and onion powder
1 cup chicken broth	1 cup flour
½ cup vegetable oil	4 eggs
1 tablespoon Worcestershire sauce	

Cut chicken in large chunks and using S-blade place chicken and parsley in work bowl and pulse until finely chopped. Remove and set aside. In a large saucepan over high heat, mix chicken broth, oil, and Worcestershire sauce. Bring to a boil. Stir the 4 seasonings into flour. When broth reaches a boil, dump in flour all at once. Stir until the dough forms a ball. Place dough into mixing bowl. Add eggs one at a time, mixing well after each egg. Stir in chicken and parsley. Drop by spoonfuls, size of golf ball, onto baking sheet. Bake at 450°F for 12 to 15 minutes. **Makes 4 dozen.**

Potato Leek Soup

3 pounds potatoes, peeled	1½ teaspoons salt
3 to 4 leeks, both root and leaf ends trimmed	¼ teaspoon pepper
8 ounces bacon	½ cup milk
2 quarts water	3 tablespoons flour

Using slicer/shredder disc, slicing side up, slice potatoes. Remove to large mixing bowl and cover with cold water. Set aside. Slice leeks. To clean leeks, place in a colander and toss gently under running water. In a soup pot or Dutch oven, cook bacon until crisp. Remove bacon and set aside. Add the leeks to the bacon grease in the pot. Cook and stir occasionally over medium heat for about 10 minutes. Increase heat to high and add water, potatoes, salt, and pepper. Bring soup to a boil then reduce heat and simmer, uncovered, for 15 to 20 minutes. In a small bowl, whisk together milk with flour. Slowly stir milk mixture into simmering soup and simmer for 5 minutes. Garnish with crumbled bacon bits. **Makes 6 to 8 servings.**

Lentil Soup

½ pound bacon	16 ounce bag lentils
1 large onion	2 quarts water
6 parsnips, peeled, ends removed, cut into 1-inch pieces	1 bay leaf
8 celery ribs with leaves	1 teaspoon salt
6 carrots, ends removed	sour cream, optional

In a soup pot or Dutch oven, cook bacon until crisp. Remove and reserve 4 slices of bacon to be used as garnish. Leave bacon drippings in pot. Using S-blade, chop onions and parsnips. Add chopped onions and parsnips to bacon drippings in pot and cook over medium heat until softened, about 7 minutes. Using slicer/shredder disc, slicing side up, slice celery and carrots. Add the celery, carrots, lentils, water, bay leaf, and salt to onion mixture. Bring to boil then reduce heat and simmer, covered, for 40 minutes. At serving time, garnish with sour cream and crumbled bacon. **Makes 8 servings.**

NOTE: Lentils do not need to be soaked overnight.

Cashew Chicken

2 lbs. boneless skinless chicken breasts	¼ cup pineapple juice
4 cloves garlic	3 tablespoons soy sauce
1-inch piece of ginger root, peeled	1 teaspoon dry mustard
1 bunch green onions, roots trimmed	8-ounce can sliced water chestnuts, drained
2 tablespoons vegetable oil	1 cup roasted cashews
1 tablespoon flour	Cooked rice
¾ cup chicken stock or broth	

Using S-blade, place chicken in bowl. Pulse until chicken is very coarsely chopped. Remove chicken and set aside. Do not wash work bowl. Place garlic and ginger in work bowl and pulse until minced. Add green onions, white part and 2-inches of green top, and pulse until chopped. Heat oil in skillet over medium high heat. Add the chopped vegetables and chicken to the skillet. Stir and cook about 7 minutes, or until chicken is done. Stir occasionally. Use a slotted spoon and remove chicken and vegetables. Sprinkle flour into skillet. Stir and cook until just beginning to turn brown, about 1 minute. Add chicken broth, pineapple juice, soy, and mustard. Stirring frequently, bring to a boil and cook until thickened, about 5 minutes. Return chicken/vegetables to skillet, add cashews and water chestnuts. Heat through. Serve over rice. **Makes 6 servings.**

Vegetable Lasagna

8 ounces reduced-fat mozzarella cheese	8-ounce package light cream cheese, cut into chunks
1 medium onion, peeled, cut into chunks	
4 garlic cloves	¾ cup skim milk ricotta cheese
4-6 ounces fresh mushrooms	½ cup light sour cream
1 teaspoon vegetable oil	1 egg
2 zucchini, approximately 6 inches each, cut into chunks	2 teaspoons dried Italian seasoning
2 ounces Parmesan cheese, cut into ½-inch chunks (about ⅓ cup grated)	26 ounce can spaghetti sauce
	6 lasagna noodles, cooked

Using slicer/shredder disc, shredding side up, shred mozzarella. Place in a small bowl and set aside. Using S-blade, place onion and garlic cloves into work bowl. Pulse until coarsely chopped. Add mushrooms to bowl. Continue to pulse until mushrooms are coarsely chopped. Place chopped vegetables in a large skillet with oil, over medium heat. Using S-blade, place zucchini in work bowl. Pulse until coarsely chopped. Add zucchini to skillet. Cook until tender, about 10 minutes; set aside. Without washing the work bowl, using S-blade, place Parmesan cheese chunks in bowl and process on High until coarsely chopped. Add the cream cheese, ricotta cheese, sour cream, egg, and Italian seasonings and process until creamy, about 30 to 40 seconds. Grease a 9X13 inch baking dish. Layer half each of noodles, cream cheese mixture, chopped vegetable mixture, and spaghetti sauce. Repeat layers once. Sprinkle with mozzarella. Bake, covered, at 350°F for 25 minutes. Uncover and cook an additional 10 minutes. Let stand 10 minutes before serving. **Makes 8 servings.**

NOTE: Mozzarella cheese will shred easier if placed in freezer for one hour before shredding.

Roasted Sweet Peppers & Sausage

1 red bell pepper, cored and seeded	1 teaspoon dried oregano
1 yellow bell pepper, cored and seeded	2 tablespoons olive oil
2 green bell peppers, cored and seeded	2 pounds Italian sausage
2 medium onions, peeled and cut to fit in food chute	

Using a fork, pierce sausage casings several times. In a skillet over medium high heat, brown sausages, turning frequently, about 8 minutes. Set aside. Using the slicer/shredder disc, slicing side up, slice peppers and onion. Place in 2 quart baking dish. Add oregano and oil; stir to mix. Place sausage on peppers. Bake at 350°F for 45 minutes. Serve peppers and sausage with noodles or spoon onto toasted sub rolls. **Makes 6 servings.**

Crispy Catfish Fillets

2½ ounces Parmesan cheese (½ cup, grated)	⅓ cup fresh parsley sprigs
20 buttery crackers, like Ritz or Townhouse	¼ cup melted butter
	4 catfish fillets, about 8 ounces each

Cut cheese into ½-inch cubes. Using S-blade, place cheese cubes, crackers and parsley in work bowl. Process until finely ground. Place cracker mixture in large shallow bowl. Dip fillets in butter then place in cracker mixture to coat. Lay fillets on nonstick or aluminum foil-lined baking sheet. Bake at 400°F for 15-20 minutes.

Makes 4 servings.

Creamed Potatoes

4 pounds all-purpose white potatoes, about 15 medium	1½ teaspoons salt
3 cups half-n-half cream	¼ teaspoon pepper
3 tablespoons finely minced onion	4 tablespoons butter, melted

Scrub the potatoes but do not peel. Place in a large pot and cover with water. Bring to boil then reduce heat and simmer for 45 minutes or until done.

Refrigerate overnight. Using slicer/shredder disc, shredding side up, grate the potatoes. It is not necessary to peel them. Place grated potatoes, half-n-half, onion, salt, and pepper in a large bowl and stir to mix. Put butter in a 9x13-inch baking dish and rotate dish to coat. Spoon in potato mixture. Bake at 375°F for 1 hour. **Makes 10 servings.**

Sweet Potato Pudding

1 to 1¼ lb. sweet potatoes, scrubbed but not peeled, and cut to fit food chute (3 cups grated)	1 cup milk
½ cup sugar	1 egg
¼ cup maple syrup	¼ cup butter
	1 teaspoon vanilla

Using slicer/shredder disc, shredding side up, grate sweet potatoes. Remove from work bowl and place in medium mixing bowl. Set aside. Using S-blade, place sugar, syrup, milk, egg, butter, and vanilla into work bowl. Process until smooth. Pour over shredded sweet potatoes. Mix thoroughly. Pour into greased 1½ quart casserole dish. Place casserole dish into a larger pan or dish. Add hot water to larger pan, so water will be 1 to 2-inches up side of casserole dish. This will prevent the edges from burning. Bake at 350°F for 1½ hours. **Makes 6 servings.**

Good Morning Muffins

4 medium carrots (2 cups grated), washed, ends removed	1 tablespoon vanilla
1 large apple (1 cup grated), cored and cut into wedges	2 cups flour
3 eggs	2 teaspoons cinnamon
½ cup apple butter	1 teaspoon baking soda
¼ cup vegetable oil	½ teaspoon baking powder
1¼ cups sugar	½ teaspoon salt
	1 cup raisins

Using slicer/shredder disc, shredding side up, shred carrots and apple into work bowl. Remove from bowl; put into a large mixing bowl. Set aside. Using S-blade, place eggs, apple butter, oil, sugar, and vanilla into work bowl. Process until mixed and smooth. Add flour, cinnamon, baking powder, baking soda, salt, and raisins. Pulse until JUST mixed. Pour batter into mixing bowl with grated carrots/apple mixture. Spoon into greased or paper lined muffin tin, filling about ¾ full. Bake at 375°F for 15 to 20 minutes. **Makes 24 muffins.**

Cheddar Onion Cornbread

4 ounces cheddar cheese (1 cup grated)	½ cup milk
1 small onion, peeled and cut in quarters	8-ounce package corn muffin mix
1 tablespoon butter	8-ounce can cream style corn
1 egg	8-ounce container sour cream

Using slicer/shredder disc, shredding side up, shred cheddar and set aside. Using S-blade, place onion in work bowl and process until finely chopped. Place chopped onion and butter in a skillet and cook over medium high heat until onions are soft. Set aside and cool. Do not wash work bowl. Using S-blade, place egg, milk, muffin mix, and corn into work bowl. Pulse until JUST mixed. Pour batter into greased 8-inch square baking pan. Combine onions, cheese, and sour cream. Place small spoonfuls of sour cream mixture on top of batter. Bake at 425°F for 30 to 35 minutes. **Makes 6-8 servings.**

Baked Pineapple Bread Pudding

12 slices of white bread, torn into strips to fit food chute	1 teaspoon vanilla
20 ounce can pineapple chunks, drained	1 tablespoon melted butter or margarine
2 eggs	1½ cups sugar
1 cup half and half cream	3 pineapple slices, drained

Insert S-blade into food processor bowl and, with processor running, drop bread through food chute to make soft breadcrumbs. Pour into a greased 2-quart casserole dish. Place pineapple chunks in food processor bowl with S-blade. Process pineapple for 20 seconds. Add eggs, cream, vanilla, melted butter or margarine, and sugar. Process until mixed. Pour pineapple mixture over soft breadcrumbs. Garnish with three pineapple rings overlapping in center. Bake at 350°F for 1 hour or until golden. **Makes 8 servings.**

Chocolate Chip Cheesecake

Filling:

3 8-ounce packages cream cheese, cut into chunks
1 cup sugar
2 tablespoons flour
4 eggs
¼ cup milk
1 teaspoon vanilla
½ cup chocolate chips

Crust:

1 teaspoon butter, softened
22 chocolate chip cookies
3 to 4 tablespoons unsalted butter, melted

Crust: Use 1 teaspoon butter to grease a 9 to 9½-inch springform pan and set aside. Using S-blade and with processor running, drop cookies through food chute and process until an even crumb is formed. Continue processing, adding melted butter through the food chute until mixed. Pour crumbs into prepared springform pan and press crumbs evenly on bottom of pan. Bake in 425 degree oven for 10 minutes. Remove from the oven and cool on rack.

Filling: Using S-blade, add cream cheese, sugar, flour, eggs, milk, and vanilla to work bowl. Process until smooth. Pour filling over cooled crust and sprinkle with chocolate chips. Bake 15 minutes at 425°F. Reduce heat to 250°F and continue to bake (without opening the oven door) for 45 minutes more or until cheesecake is set. When cooled, cover and refrigerate several hours or overnight.

Makes 16 servings.

Cooking Tip: For a creamy smooth-textured cheesecake, bake it in a water bath. Tear off a sheet of aluminum foil that extends about 6 inches larger than the springform pan. Place springform pan in center of foil and form foil up around the sides. This prevents water from leaking into the pan. Place the springform pan in a larger pan and fill larger pan with about 1½ inches of hot tap water. Bake as directed.

Marissa's Apple Crisp

6 large Golden Delicious apples,
peeled and cored and cut to fit in
food chute (6 cups sliced)
1 tablespoon lemon juice
½ cup sugar
1 tablespoon flour
1 teaspoon cinnamon
¼ teaspoon nutmeg

Topping:

½ cup butter, melted
1 cup flour
1 cup sugar
1 teaspoon cinnamon

Using slicer/shredder disc, slicing side up, slice apples. Put apples in a large bowl. Drizzle lemon juice over apples. Sprinkle apples with sugar, flour, cinnamon, and nutmeg. Stir to mix, then put apples in ungreased 2 quart baking dish. Using S-blade, place topping ingredients in work bowl and pulse until mixed. Crumble topping over apples. Bake at 375°F for 30 minutes. Serve topped with vanilla ice cream. **Makes 6 servings.**

Customer Service

If you have a question about your food processor, call our toll-free customer service number. Before calling, please note the model, type, and series numbers and fill in that information below. These numbers can be found on the bottom of your food processor. This information will help us answer your question much more quickly.

MODEL: _____ **TYPE:** _____ **SERIES:** _____

LIMITED WARRANTY

This product is warranted to be free from defects in material and workmanship for a period of one (1) year from the date of original purchase, except as noted below. During this period, we will repair or replace this product, at our option, at no cost. THE FOREGOING WARRANTY IS IN LIEU OF ANY OTHER WARRANTY, WHETHER EXPRESS OR IMPLIED, WRITTEN OR ORAL INCLUDING ANY WARRANTY OF MERCHANTABILITY OR FITNESS FOR A PARTICULAR PURPOSE. ANY LIABILITY IS EXPRESSLY LIMITED TO AN AMOUNT EQUAL TO THE PURCHASE PRICE PAID, AND ALL CLAIMS FOR SPECIAL, INCIDENTAL AND CONSEQUENTIAL DAMAGES ARE HEREBY EXCLUDED. There is no warranty with respect to the following, which may be supplied with this product: glass parts, glass containers, cutter/strainer, blades, and/or agitators. This warranty extends only to the original consumer purchaser and does not cover a defect resulting from abuse, misuse, neglect, use for commercial purposes, or any use not in conformity with the printed directions. This warranty gives you specific legal rights, and you may also have other legal rights which vary from state to state, or province to province. Some states or provinces do not allow limitations on implied warranties or special, incidental or consequential damages, so the foregoing limitations may not apply to you.

If you have a claim under this warranty, **DO NOT RETURN THE APPLIANCE TO THE STORE!** Please call our **CUSTOMER SERVICE NUMBER**. (For faster service please have model, series, and type numbers ready for operator to assist you.)

CUSTOMER SERVICE NUMBERS

In the U.S. 1-800-851-8900

In Canada 1-800-267-2826

Web site address: www.hamiltonbeach.com

KEEP THESE NUMBERS FOR FUTURE REFERENCE!

HAMILTON BEACH ♦ PROCTOR-SILEX, INC.

Washington, North Carolina 27889

PROCTOR-SILEX CANADA, INC.

Picton, Ontario K0K 2T0

Web site address: www.hamiltonbeach.com

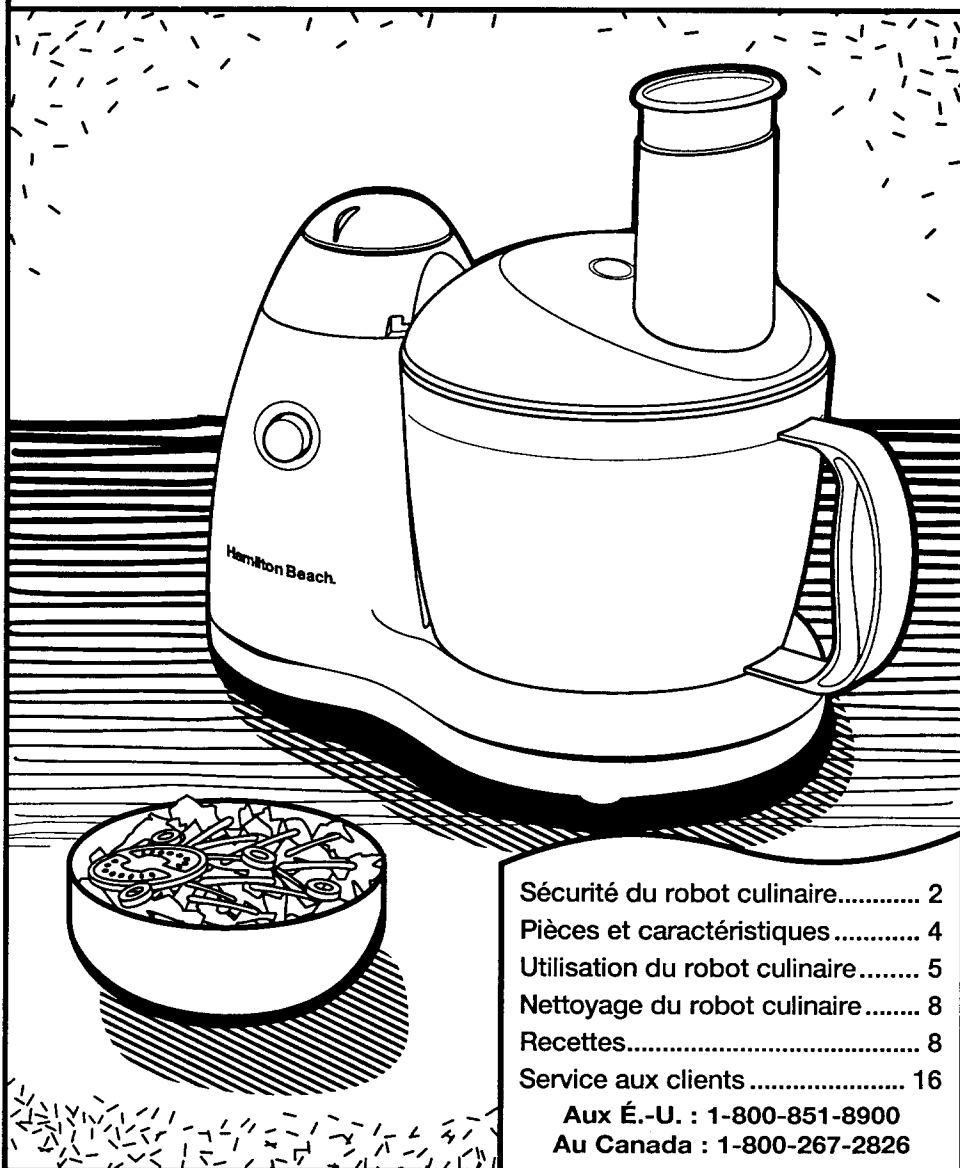
840075900

11/00

16

Hamilton Beach.

Robot culinaire



Sécurité du robot culinaire.....	2
Pièces et caractéristiques	4
Utilisation du robot culinaire.....	5
Nettoyage du robot culinaire	8
Recettes.....	8
Service aux clients	16

Aux É.-U. : 1-800-851-8900
Au Canada : 1-800-267-2826

840075900

Sécurité du robot culinaire

IMPORTANTES INSTRUCTIONS

Lors de l'utilisation d'appareils électroménagers, des précautions fondamentales de sécurité doivent toujours être observées, y compris ce qui suit :

1. Lire et conserver toutes les instructions.
2. Pour protéger contre le risque de choc électrique, ne pas immerger la base, le moteur, le cordon ou la fiche dans l'eau ou autre liquide.
3. Une bonne surveillance est nécessaire pour tout appareil utilisé par des enfants ou près d'eux.
4. Cet appareil ne doit pas être utilisé par des enfants.
5. Débrancher l'appareil de la prise de courant électrique lorsqu'il n'est pas utilisé, avant d'y placer ou d'en enlever des pièces, ou avant un nettoyage.
6. Éviter le contact avec les pièces en mouvement. Garder les doigts hors de l'ouverture de décharge.
7. Ne pas faire fonctionner un appareil électroménager avec une fiche ou un cordon endommagé, ou lorsque l'appareil ne fonctionne pas bien ou a été échappé ou endommagé d'une manière quelconque. Composer notre numéro de service aux clients sans frais d'interurbain pour renseignements concernant l'examen, la réparation ou l'ajustement électrique ou mécanique.
8. L'utilisation d'accessoires non recommandés ni vendus par Hamilton Beach/Proctor-Silex, Inc. peut causer un incendie, un choc électrique ou des blessures.
9. Ne pas utiliser votre robot culinaire si une pièce quelconque est brisée.
10. Ne pas utiliser l'appareil à l'extérieur.
11. Ne pas laisser le cordon pendre au bord d'une table ou d'un comptoir, ni venir en contact avec des surfaces chaudes.
12. Ne jamais introduire d'aliments dans la trémie à la main pour les couper ou les hacher. Toujours utiliser le poussoir.
13. Le couteau et le disque sont coupants. Les manipuler avec soin. Les ranger hors de portée des enfants.
14. S'assurer que le couteau ou le disque sont complètement arrêtés avant d'enlever le couvercle.
15. S'assurer que le couvercle est bien verrouillé en place avant de mettre l'appareil en marche.
16. Pour réduire le risque de blessures, ne jamais mettre le couteau ou le disque tranchants sur la base avant d'avoir d'abord bien mis le bol en place.
17. Garder les mains et ustensiles à l'écart du couteau et du disque mobiles durant le traitement des aliments, pour réduire le risque de blessure corporelle grave et/ou d'endommagement du robot culinaire. On peut se servir d'un racloir en caoutchouc, mais SEULEMENT lorsque le robot culinaire ne fonctionne pas.
18. Ne pas essayer de contourner le mécanisme de verrouillage du couvercle.
19. Pour réduire le risque de blessure, veiller à insérer et retirer le couteau et le disque en se servant des trous de doigts prévus à cette fin. Faire attention lorsqu'on enlève le couteau et le disque du bol, lorsqu'on vide le bol et durant le nettoyage.
20. S'assurer de régler le commutateur à la position OFF (arrêt) après chaque utilisation. Toujours utiliser le poussoir pour dégager les aliments de la trémie. Lorsque cette méthode n'est pas possible, arrêter le moteur et démonter l'unité pour enlever le reste d'aliments.
21. L'appareil n'est pas destiné à l'usage commercial, professionnel ou industriel. Il est conçu et construit seulement pour l'utilisation domestique exclusivement.
22. Ne jamais utiliser un appareil ménager pendant une période plus longue ou avec une plus grande quantité d'ingrédients que celles recommandées par Hamilton Beach/Proctor-Silex, Inc.
23. L'évaluation maximale de cet appareil est basée sur l'utilisation d'un couteau en S. L'utilisation du disque pour couper/hacher peut exiger beaucoup moins d'énergie.
24. Ne pas placer sur ou près d'un brûleur à gaz ou électrique ou dans un four chauffé.
25. Ne pas utiliser cet appareil pour d'autres fins que celles déterminées.

CONSERVEZ CES INSTRUCTIONS!

Renseignements de sécurité aux consommateurs

Cet appareil est destiné à l'utilisation domestique seulement.

Cet appareil est muni d'une fiche polarisée. Ce type de fiche présente une broche plus large que l'autre. Par mesure de sécurité, la fiche peut être introduite dans une prise dans un sens seulement. Il s'agit d'une caractéristique de sécurité visant à réduire le risque de choc électrique. Si la fiche ne peut pas être insérée dans la prise, la tourner dans l'autre sens. Si elle ne peut toujours pas être insérée dans la prise, contacter un électricien pour qu'il remplace la prise défectueuse. Ne pas essayer de contourner l'objectif de sécurité de la fiche polarisée en la modifiant de quelque manière que ce soit.

Pour éviter une surcharge du circuit électrique, ne pas utiliser un autre appareil électroménager à forte consommation sur le même circuit que le robot culinaire.

La longueur du cordon de cet appareil a été choisie de façon à ce que l'on ne risque pas de trébucher dessus. Si un cordon plus long est nécessaire, utiliser une rallonge appropriée. Le calibre de la rallonge doit être le même que celui de l'appareil ou supérieur. Lorsqu'on utilise une rallonge, s'assurer qu'elle ne traverse pas la zone de travail, que des enfants ne puissent pas tirer dessus par inadvertance et qu'on ne puisse pas trébucher dessus.

Avant l'utilisation la première fois

Retirer le robot culinaire de l'emballage. Manipuler soigneusement le couteau en S et le disque pour trancher/hacher; ces articles sont très coupants. Laver toutes les pièces excepté la base dans l'eau

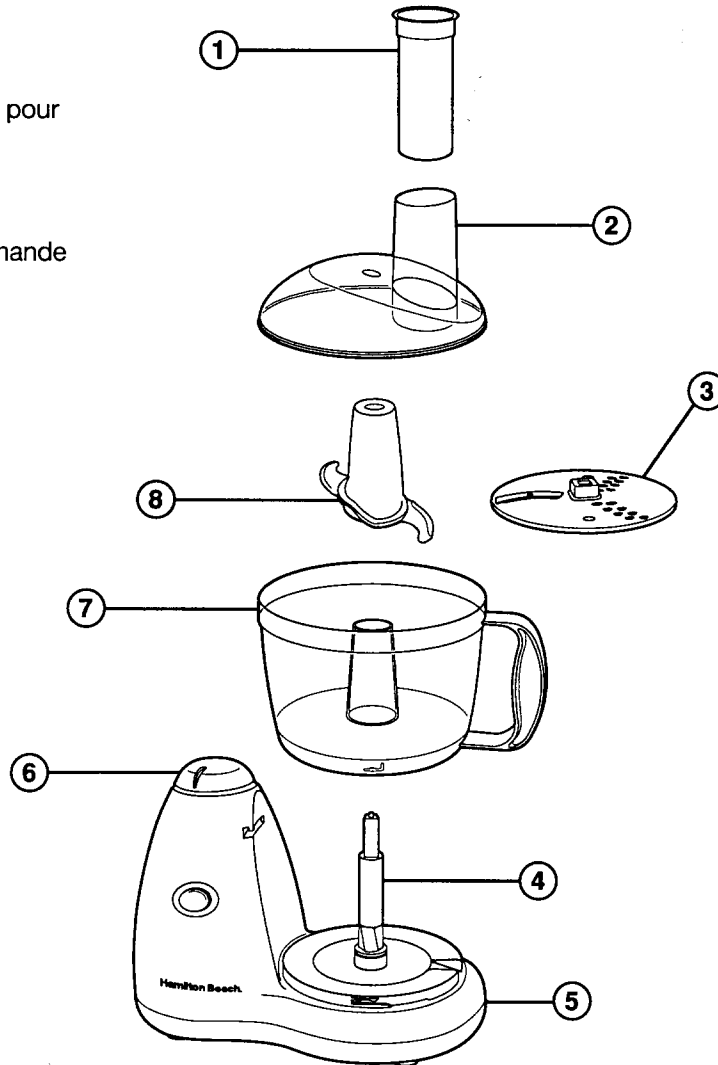
savonneuse chaude. Bien rincer et sécher. Ces pièces peuvent aussi être lavées au lave-vaisselle.

Conseils et techniques d'opération

- Pour une consistance uniforme lorsqu'on coupe des aliments, laisser de l'espace dans le bol pour que l'aliment puisse être déplacé autour du bol.
- Pour une consistance plus uniforme aussi, commencer avec des morceaux d'aliments de même grosseur. Les carottes par exemple doivent toutes être coupées en morceaux de 1 po. Ne pas traiter des morceaux de 4 po avec des morceaux de 1/2 po.
- Ce robot alimentaire est excellent pour hacher, mélanger, trancher ou déchiqueter la plupart des aliments. Toutefois, pour maintenir un haut rendement, nous ne recommandons pas ce qui suit : écraser des grains, fèves de café ou d'épices; trancher des viandes surgelées ou broyer des glaçons.
- Ne pas préparer des purées ou écraser des légumes féculents comme des pommes de terre. Ces aliments seront trop traités en une seconde et deviendront gommeux.
- Le temps de traitement dépendra de la quantité d'aliments à traiter. La plupart des aliments peuvent être tranchés, hachés ou déchiquetés en quelques secondes. Ne pas faire fonctionner l'appareil pendant plus de 1 minute à la fois. S'il s'agit de traiter de grandes quantités, laisser l'appareil se reposer environ 1 minute avant de continuer à l'utiliser.

Pièces et caractéristiques

1. Poussoir
2. Trémie
3. Disque réversible pour trancher/hacher
4. Arbre moteur
5. Base
6. Tableau de commande
7. Bol
8. Couteau en S

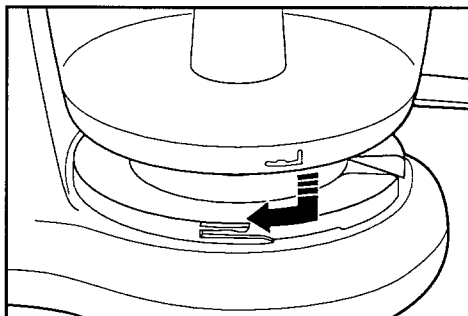


Conseils!

- Le bol peut contenir 8 tasses d'ingrédients secs ou 2 tasses de liquide. Veiller à ne pas trop le remplir.
- Ne pas utiliser le robot culinaire pour broyer de la glace.
- Pour l'obtention d'une texture constante, couper les aliments en cubes de 1 po avant de les émincer ou de les couper avec le couteau.

Utilisation du robot culinaire

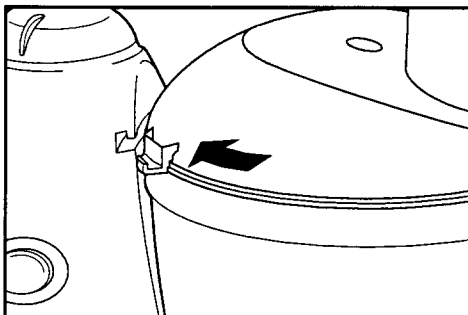
Blocage du bol



Aligner la base et le bol tel qu'illustré. Tourner le bol dans le sens horaire jusqu'à ce qu'il se verrouille en place.

REMARQUE : Le robot culinaire ne fonctionnera pas si le bol n'est pas verrouillé en place.

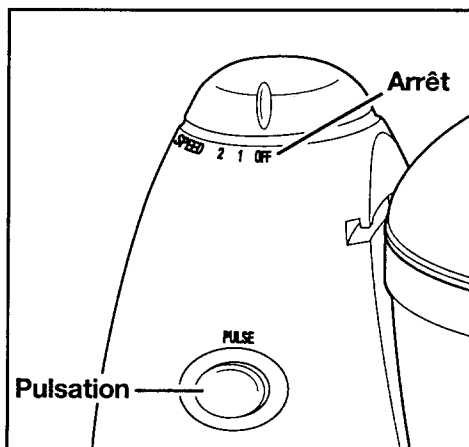
Verrouillage du couvercle



Aligner le couvercle tel qu'illustré. Placer le couvercle sur le bol et le tourner dans le sens horaire jusqu'à ce qu'il se verrouille en place.

REMARQUE : Le robot culinaire ne fonctionnera pas si le couvercle n'est pas verrouillé en place.

Utilisation des commandes

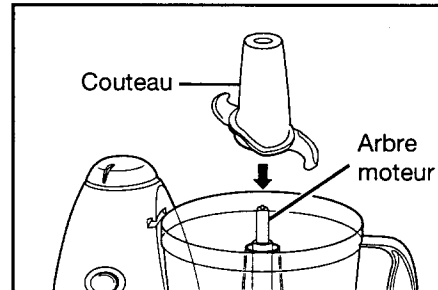


Les commandes sont bien situées au sommet de la base. Tourner le bouton central pour choisir une vitesse : 1 ((Basse) ou 2 (Haute). Le robot fonctionnera sans interruption. Pour une commande marche/arrêt instantanée, utiliser le bouton PULSE (pulsation).

Opération avec le couteau en S

Utiliser le couteau en S pour hacher grossièrement ou émincer, pour mélanger les ingrédients ou pour transformer un mélange en purée lisse.

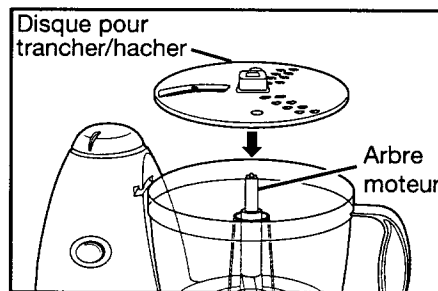
1. Vérifier que l'appareil est débranché, et que le bouton de commande est à la position d'arrêt.
2. Bloquer le bol sur la base (voir « Blocage du bol », page 5).
3. Placer le couteau en S sur l'arbre moteur du robot culinaire au centre du bol. Le tourner lentement jusqu'à ce que le couteau tombe en place. **Manipuler prudemment; le couteau est coupant.**
4. Bloquer le couvercle sur le bol. (Voir « Verrouillage du couvercle », page 5.) Insérer le poussoir dans la trémie.



5. Brancher l'appareil et préparer les aliments. La vitesse et le temps de traitement détermineront la consistance finale d'aliments. Le bouton Pulse peut vous aider à éviter le traitement excessif.

Opération utilisant le disque pour trancher/hacher




- Pour trancher ou hacher du fromage, choisir un fromage ferme comme le cheddar, le monterey jack ou le gruyère. Placer le fromage au congélateur pendant 30 minutes avant d'effectuer l'opération.
 - Le disque pour trancher/hacher comporte une lame de tranchage d'un côté, et des dents de hachage sur l'autre face. Placer le disque sur l'arbre moteur en l'orientant correctement, selon l'opération désirée.
 - Pour trancher des légumes en julienne, effectuer un premier tranchage des légumes; placer ensuite les tranches obtenues dans la trémie, verticalement et effectuer un deuxième tranchage.
1. Vérifier que l'appareil est débranché, et que le bouton de commande est à la position d'arrêt.
 2. Bloquer le bol sur la base (voir « Blocage du bol », page 5).
 3. Placer le disque pour trancher/hacher sur l'arbre moteur avec le côté désiré vers le haut soit pour trancher soit pour hacher. Verrouiller le couvercle sur le bol. (Voir « Verrouillage du couvercle », page 5.)



Opération utilisant le disque pour trancher/hacher (suite)

4. Couper les aliments pour qu'ils conviennent dans la trémie. Bien tasser les aliments dans la trémie. Insérer le poussoir dans la trémie. **Toujours utiliser le poussoir pour faire passer les aliments dans la trémie. NE JAMAIS POUSSER LES ALIMENTS DANS LA TRÉMIE AVEC LES MAINS.**
5. Brancher l'appareil et traiter les aliments.
6. Choisir la vitesse. Tout en appuyant sur le poussoir, choisir 1 ou 2 pour vitesse HAUTE ou BASSE ou PULSE (pulsation) pour traiter les aliments.
7. Lorsque la trémie est vide, appuyer sur le bouton OFF (arrêt) ou dégager de la position PULSE. **Attendre jusqu'à la fin de la rotation du couteau avant d'enlever le couvercle.**

Tableaux des opérations

ACCESSOIRE	VITESSE	ALIMENTS
Disque pour trancher (côté pour trancher vers le haut) 	Basse (1)	Concombres, pommes, champignons
	Haute (2)	Légumes en julienne
Couteau en S 	Basse (1)	Pour couper noix et légumes
	Haute (2)	Pour couper la viande, mettre en purée, pétrir la pâte à pains
Disque pour hacher (côté pour hacher vers le haut) 	Basse (1)	Chou
	Haute (2)	Fromages fermes

Pour obtenir les meilleurs résultats, ne pas dépasser les quantités suivantes lorsqu'il s'agit de hacher, émincer ou rendre en purée les aliments avec le couteau en S.

ALIMENTS	QUANTITÉ MAXIMALE
Fruits et légumes	1 livre ou 2 à 3 tasses
Viandes	12 oz ou 1½ tasse, en cubes
Fromage parmesan ou romano	5 onces en cubes
Fromage cheddar, Jack ou mozzarella	8 onces en cubes

Nettoyage du robot culinaire

1. Laver le bol, le couvercle, le couteau, les disques, le volet de fermeture et le poussoir dans de l'eau chaude et savonneuse. Rincer parfaitement et laisser sécher. Ces pièces peuvent aussi être lavées au lave-vaisselle.
REMARQUE : Ne pas remiser le robot culinaire alors que le couvercle est à la position de verrouillage; ceci peut soumettre l'onglet d'interverrouillage à des efforts.
 2. Essuyer la base, le tableau de commande et le cordon
 3. Pour le remisage, placer le bol sur la base. Ensuite, placer sur l'arbre moteur, le couteau en S, le disque d'alimentation continue et le disque pour trancher/hacher. Placer le couvercle sur le bol mais ne pas le verrouiller.
- d'alimentation avec un linge ou une éponge humide. Pour éliminer des souillures tenaces, utiliser un produit de nettoyage doux, non abrasif.
NE JAMAIS IMMERGER LE MODULE DE LA BASE DANS DE L'EAU OU UN AUTRE LIQUIDE.

Recettes

Vinaigrette au fromage bleu

2 gousses d'ail	½ tasse de crème sure
4 oz de fromage bleu	¼ tasse de jus de citron frais
2 tasses de mayonnaise	2 c. à soupe de sucre

Avec le couteau en S en place et le robot en marche, mettre les gousses d'ail dans la trémie et les émincer. Ajouter le fromage et laisser tourner le robot pendant 10 secondes. Ajouter la mayonnaise, la crème sure, le jus de citron et le sucre. Mélanger jusqu'à consistance lisse. Garder au réfrigérateur. **Quantité : 3 tasses.**

Hoummos

2 gousses d'ail	2 c. à thé d'huile d'olive
2 oignons verts, blanc et moitié de l'extrémité verte	¼ c. à thé de cumin
15 oz de pois chiches, égouttés,	Pincée de cayenne
¼ tasse de tahini (pâte de sésame), mélangé	Sel et poivre au goût
3 à 4 c. à soupe de jus de citron ou lime	Pincée de paprika
	Pain pita ou légumes coupés en morceaux, facultatif

Avec le couteau en S en place et le robot en marche, mettre les gousses d'ail et les oignons dans la trémie. Ajouter les pois chiches, le tahini, le jus de citron ou lime, l'huile d'olive, le cumin, le poivre de cayenne, le sel et le poivre. Continuer de mélanger jusqu'à consistance lisse, en raclant les bords du bol au besoin. Verser dans un plat et garnir de paprika. Servir avec du pain pita et/ou des légumes. Conserver au réfrigérateur. **Quantité : environ 2 tasses.**

Salsa

1 oignon, pelé et coupé en quartiers	¼ tasse feuilles de coriandre, tassé
1 gousse d'ail	½ c. à thé de cumin
1 piment (jalapeno ou autre piment fort) vidé, égrainé et coupé en quartiers	1 c. à soupe de jus de lime
4 tomates, coupées en quartiers	Sel et poivre au goût
	Sauce piquante, facultatif

Avec le couteau en S en place et le robot en marche, mettre l'oignon, l'ail et le piment dans la trémie et émincer finement. Arrêter le robot, ajouter les tomates, la coriandre, le cumin, le jus de lime, le sel et le poivre. Régler au fonctionnement par impulsions (Pulse) et émincer jusqu'à la consistance désirée. Ajouter de la sauce piquante, si désiré. **Quantité : 2 à 3 tasses.**

Relish aux canneberges et à l'orange

12 oz de canneberges fraîches, équeutées ou congelées	3 c. à soupe de Grand Marnier ou jus d'orange
1 tasse de sucre	Pincée de clous de girofle moulus
1 petite orange, lavée, coupée en quartiers	

Avec le couteau en S en place, mettre les canneberges, le sucre, l'orange, le Grand Marnier ou jus d'orange et les clous de girofle dans le bol. Mélanger jusqu'à ce que les canneberges soient presque complètement écrasées. Couvrir et réfrigérer toute la nuit. Le mélange épaissira. **Quantité : environ 2½ tasses.**

Pâtés de poulet

1 lb de poulet cuit, (1½ tasse de poulet coupé finement)	½ c. à thé de sel et de graines de céleri
¼ tasse de persil tassé	¼ c. à thé de moutarde sèche et de poudre d'oignon
1 tasse de bouillon de poulet	1 tasse de farine
½ tasse d'huile végétale	4 oeufs
1 c. à soupe de sauce Worcestershire	

Couper le poulet en gros morceaux et, avec le couteau en S en place, mettre le poulet et le persil dans le bol et couper finement au réglage par impulsions (Pulse). Vider le bol et mettre les ingrédients de côté. Dans un gros poêlon, à feu élevé, mélanger le bouillon de poulet, l'huile et la sauce Worcestershire. Porter à ébullition. Ajouter les 4 assaisonnements dans la farine. Une fois le bouillon à ébullition, y verser toute la farine. Mélanger jusqu'à ce que la pâte forme une boule. Mettre la pâte dans le bol mélangeur. Ajouter les oeufs, un à la fois, en mélangeant bien après chaque oeuf. Ajouter le poulet et le persil. Verser par cuillères pleines, de la taille d'une balle de golf, sur une tôle à biscuits. Cuire à 450°F pendant 12 à 15 minutes. **Quantité : 4 douzaines.**

Soupe aux pommes de terre et poireaux

3 lb de pommes de terre, pelées	1½ c. à thé de sel
3 à 4 poireaux, racine et feuilles coupées	¼ c. à thé de poivre
8 oz de bacon	½ tasse de lait
2 pintes d'eau	3 c. à soupe de farine

Avec le disque pour trancher/hacher, côté pour trancher vers le haut, trancher les pommes de terre. Les verser dans le gros bol mélangeur et les recouvrir d'eau froide. Mettre de côté. Trancher les poireaux. Pour nettoyer les poireaux, les verser dans une passoire et les passer sous l'eau courante froide en secouant délicatement. Dans une casserole à soupe ou un faitout, griller le bacon. Retirer le bacon et le mettre de côté. Verser les poireaux dans la graisse de bacon. Cuire et remuer occasionnellement à feu moyen pendant environ 10 minutes. Régler à feu élevé et ajouter l'eau, les pommes de terre, le sel et le poivre. Porter la soupe à ébullition, puis réduire la chaleur et laisser mijoter, à découvert, pendant 15 à 20 minutes. Dans un petit bol, battre le lait et la farine. Incorporer lentement le mélange de lait et de farine dans la soupe mijotante et laisser mijoter 5 minutes. Garnir de petits morceaux de bacon. **Quantité : 6 à 8 portions.**

Soupe aux lentilles

½ lb de bacon	Sachet de 16 oz de lentilles
1 gros oignon	2 pintes d'eau
6 panais, pelés, extrémités coupées, coupés en morceaux de 1 po	1 feuille de laurier
8 branches de céleri avec les feuilles	1 c. à thé de sel
6 carottes, extrémités coupées	Crème sure, facultatif -

Dans une casserole ou un faitout, griller le bacon. Sortir et mettre de côté 4 tranches de bacon pour la garniture. Laisser la graisse de bacon dans la casserole. Avec le couteau en S en place, couper les oignons et les panais. Verser les oignons et les panais coupés dans la graisse de bacon et cuire à feu moyen jusqu'à ce que les légumes soient ramollis, soit environ 7 minutes. Avec le disque pour trancher/hacher, côté pour trancher vers le haut, trancher le céleri et les carottes. Ajouter le céleri, les carottes, les lentilles, l'eau, la feuille de laurier et le sel au mélange d'oignons et de panais. Porter à ébullition, puis baisser le feu et laisser mijoter, couvert, pendant 40 minutes. Au moment de servir, garnir de crème sure et de bacon émietté. **Quantité : 8 portions.**

REMARQUE : Il n'est pas nécessaire de faire tremper les lentilles pendant la nuit.

Poulet aux noix d'acajou

2 lb de poitrines de poulet sans peau et désossé	¾ tasse de bouillon de poulet
4 gousses d'ail	¼ tasse de jus d'ananas
1 morceau de 1 po de racine de gingembre, pelée	3 c. à soupe de sauce soja
1 botte d'oignons verts, racines coupées	1 c. à thé de moutarde sèche
2 c. à soupe d'huile végétale	1 boîte de 8 oz de châtaignes d'eau tranchées, égouttées
1 c. à soupe de farine	1 tasse de noix d'acajou grillées
	Riz cuit

Avec le couteau en S en place, mettre le poulet dans le bol. Régler au fonctionnement par impulsions et couper très grossièrement le poulet. Sortir le poulet et le mettre de côté. Ne pas laver le bol. Mettre l'ail et le gingembre dans le bol et émincer au réglage par impulsions. Ajouter les oignons verts (tout le blanc et 2 po des feuilles) et couper au réglage par impulsions. Chauffer l'huile dans le poêlon à feu moyen à vif. Ajouter les légumes coupés et le poulet dans le poêlon. Mélanger et cuire pendant environ 7 minutes ou jusqu'à ce que le poulet soit cuit. Remuer occasionnellement. À l'aide d'une cuillère à rainures, sortir le poulet et les légumes. Saupoudrer le poêlon de farine. Mélanger et cuire jusqu'à ce que la farine commence à brunir, soit environ 1 minute. Ajouter le bouillon de poulet, la sauce soja, le jus d'ananas, et la moutarde. En remuant fréquemment, porter à ébullition et cuire jusqu'à épaississement, soit environ 5 minutes. Remettre le poulet et les légumes dans le poêlon, ajouter les noix d'acajou et les châtaignes d'eau. Bien réchauffer. Servir sur du riz. **Quantité : 6 portions.**

Lasagne végétarienne

8 oz de mozzarella allégée	Emballage de 8 oz de fromage à la crème, coupé en morceaux
1 oignon moyen, pelé et coupé en morceaux	$\frac{3}{4}$ tasse de fromage ricotta au lait écrémé
4 gousses d'ail	$\frac{1}{2}$ tasse de crème sure légère
4 à 6 oz de champignons frais	1 oeuf
1 c. à thé d'huile végétale	2 c. à thé d'assaisonnement italien séché
2 courgettes, d'environ 6 po de long, coupées en morceaux	Boîte de 26 oz de sauce à spaghetti
2 oz de parmesan, coupé en morceaux de $\frac{1}{2}$ po (environ $\frac{1}{3}$ tasse râpé)	6 pâtes à lasagne, cuites

Avec le disque pour trancher/hacher, côté pour hacher vers le haut, hacher la mozzarella. Déposer dans un petit bol et mettre de côté. Avec le couteau en S en place, mettre l'oignon et les gousses d'ail dans le bol. Couper grossièrement le mélange au réglage PULSE (fonctionnement par impulsions). Ajouter les champignons. Continuer avec le robot au réglage par impulsions jusqu'à ce que les champignons soient grossièrement coupés. Verser les légumes coupés dans un gros poêlon avec l'huile, à feu moyen. Avec le couteau en S en place, mettre les courgettes dans le bol. Couper grossièrement au réglage par impulsions. Verser les courgettes dans le poêlon. Cuire jusqu'à ce qu'elles soient tendres, soit environ 10 minutes, puis mettre de côté. Sans laver le bol, avec le couteau en S en place, mettre les morceaux de parmesan dans le bol et couper grossièrement à réglage élevé. Ajouter le fromage à la crème, le ricotta, la crème sure, l'oeuf et les assaisonnements italiens et mélanger jusqu'à consistance crémeuse, soit environ 30 à 40 secondes. Graisser un plat de cuisson de 9 x 13 po. Mettre en couches pâtes, mélange de fromage en crème, mélange de légumes hachés et sauce spaghetti. Répéter une fois. Saupoudrer de mozzarella. Cuire, couvert, à 350°F pendant 25 minutes. Découvrir et cuire 10 minutes de plus. Laisser reposer pendant 10 minutes avant de servir. **Quantité : 8 portions.**

REMARQUE : La mozzarella est plus facile à râper si on la met au congélateur pendant une heure avant de la râper.

Poivrons doux et saucisses rôtis

1 poivron rouge, vidé et égrainé	1 c. à thé d'origan séché
1 poivron jaune, vidé et égrainé	2 c. à soupe d'huile d'olive
2 poivrons verts, vidés et égrainés	2 lb de saucisses italiennes
2 oignons moyens, pelés et coupés pour entrer dans la trémie	

Avec une fourchette, percer le boyau des saucisses plusieurs fois. Dans un poêlon, à feu moyen à élevé, griller les saucisses, en les retournant fréquemment, pendant environ 8 minutes. Mettre de côté. Avec le disque pour trancher/hacher, côté pour trancher vers le haut, trancher les poivrons et les oignons. Verser dans un plat de cuisson de 2 pintes. Ajouter l'origan, l'huile et bien mélanger. Verser les saucisses sur les poivrons. Cuire à 350°F pendant 45 minutes. Servir le mélange de poivrons et saucisses sur des nouilles ou sur des petits pains longs grillés.

Quantité : 6 portions.

Filets de barbotte croustillants

2½ oz de parmesan (½ tasse râpé)	¼ tasse beurre fondu
20 craquelins (Ritz ou Townhouse)	4 filets de barbotte, d'environ 8 oz chaque
½ tasse de bouquets de persil frais	

Couper le fromage en cubes de ½ po. Avec le couteau en S en place, mettre les cubes de fromage, les craquelins et le persil dans le bol. Couper le tout finement. Mettre le mélange de craquelins dans un gros plat peu profond. Tremper les filets dans le beurre puis dans le mélange de craquelins. Déposer les filets sur une tôle à biscuits non adhésive ou recouverte de papier d'aluminium. Cuire à 400°F pendant 15 à 20 minutes. **Quantité : 4 portions.**

Pommes de terre à la crème

4 lb de pommes de terre blanches, environ 15 moyennes	1½ c. à thé de sel
3 tasses de crème moitié-moitié	¼ c. à thé de poivre
3 c. à soupe d'oignons finement émincés	4 c. à soupe de beurre, fondu

Frotter les pommes de terre. Ne pas les peler. Les mettre dans une grosse casserole et les recouvrir d'eau. Porter à ébullition, puis baisser le feu et laisser mijoter pendant 45 minutes ou jusqu'à ce qu'elles soient cuites. Mettre au réfrigérateur pour la nuit. Avec le disque pour trancher/hacher, côté pour hacher vers le haut, hacher les pommes de terre. Il n'est pas nécessaire de les peler. Verser les pommes de terre hachées, la crème moitié-moitié, les oignons, le sel et le poivre dans un grand bol et mélanger. Mettre le beurre dans un plat de cuisson de 9 x 13 po et bien en recouvrir le fond. Avec une cuillère, ajouter le mélange de pommes de terre. Cuire à 375°F pendant 1 heure. **Quantité : 10 portions.**

Pouding aux patates douces

1 à 1¼ lb de patates douces, frottées mais pas pelées, et coupées pour pouvoir entrer dans la trémie (3 tasses râpées)	¼ tasse de sirop d'érable
½ tasse de sucre	1 tasse de lait
	1 oeuf
	¼ tasse de beurre
	1 c. à thé de vanille

Avec le disque pour trancher/hacher, côté pour hacher vers le haut, hacher les patates douces. Les sortir du bol et les verser dans un bol mélangeur moyen. Mettre de côté. Avec le couteau en S en place, mettre le sucre, le sirop, le lait, l'oeuf, le beurre et la vanille dans le bol. Mélanger jusqu'à consistance lisse. Verser sur les patates douces râpées. Bien mélanger. Verser dans une cocotte de 1½ pinte graissée. Mettre la cocotte dans une marmite ou dans un plat plus grand. Ajouter de l'eau chaude dans le grand plat, de façon à ce que la cocotte trempe dans 1 à 2 po d'eau. Ceci pour que les bords ne brûlent pas. Cuire à 350°F pendant 1½ heure. **Quantité : 6 portions.**

Muffins de déjeuner

4 carottes moyennes (2 tasses râpées), lavées, extrémités coupées	1 c. à soupe de vanille
1 grosse pomme (1 tasse râpée), évidée et coupée en quartiers	2 tasses de farine
3 oeufs	2 c. à thé de cannelle
½ tasse de beurre de pomme	1 c. à thé de bicarbonate de soude
¼ tasse d'huile végétale	½ c. à thé de levure chimique
1¼ tasse de sucre	½ c. à thé de sel
	1 tasse de raisins secs

Avec le disque pour trancher/hacher, côté pour hacher vers le haut, hacher les carottes et la pomme dans le bol. Les transférer dans un gros bol mélangeur. Mettre de côté. Couteau en S en place sur le robot, mettre les oeufs, le beurre de pomme, l'huile, le sucre et la vanille dans le bol. Mélanger jusqu'à consistance lisse. Ajouter la farine, la cannelle, la levure chimique, le bicarbonate de soude, le sel et les raisins secs. Régler au fonctionnement par impulsions et mélanger. Verser le mélange dans le bol mélangeur contenant le mélange de carottes et pomme hachées. Verser à l'aide d'une cuillère dans un moule à muffins recouvert de papier ou graissé, en remplissant environ aux ¾. Cuire à 375°F pendant 15 à 20 minutes. **Quantité : 24 muffins.**

Pain de maïs au cheddar et à l'oignon

4 oz de cheddar (1 tasse râpé)	1 emballage de 8 oz de mélange à muffins au maïs
1 petit oignon, pelé et coupé en quartiers	1 boîte de 8 oz de maïs en crème
1 c. à soupe de beurre	1 récipient de 8 oz de crème sure
1 oeuf	
½ tasse de lait	

Avec le disque pour trancher/hacher, côté pour hacher vers le haut, hacher le cheddar et le mettre de côté. Avec le couteau en S en place, mettre l'oignon dans le bol et le couper finement. Mettre l'oignon coupé et le beurre dans un poêlon et cuire à feu moyen à élevé jusqu'à ce que les oignons soient mous. Mettre de côté et refroidir. Ne pas laver le bol. Avec le couteau en S en place, mettre l'oeuf, le lait, le mélange à muffins et le maïs dans le bol. Régler au fonctionnement par impulsions et mélanger. Verser le mélange sur une plaque à pâtisserie carrée de 8 po. Mélanger l'oignon, le fromage et la crème sure. Garnir le mélange de petites cuillères pleines de mélange à la crème sure. Cuire à 425°F pendant 30 à 35 minutes. **Quantité : 6 à 8 portions.**

Pouding au pain à l'ananas au four

12 tranches de pain blanc, déchiré en languettes pour passer dans la trémie	1 c. à thé de vanille
1 boîte de 20 oz de morceaux d'ananas, égouttés	1 c. à soupe de beurre fondu ou de margarine
2 oeufs	1½ tasse de sucre
1 tasse de crème moitié-moitié	3 tranches d'ananas, égouttées

Insérer le couteau en S dans le plat du robot culinaire et, robot en marche, laisser tomber le pain dans la trémie pour l'émietter. Verser dans une cocotte de 2 pintes graissée. Mettre les morceaux d'ananas dans le bol du robot avec le couteau en S en place. Couper les ananas pendant 20 secondes. Ajouter les oeufs, la crème, la vanille, le beurre fondu ou la margarine et le sucre. Bien mélanger. Verser le mélange sur le pain mou émietté. Garnir des trois rondelles d'ananas en les chevauchant au centre. Cuire à 350°F au four pendant 1 heure ou jusqu'à ce que le dessus soit doré. **Quantité : 8 portions.**

Gâteau au fromage aux copeaux de chocolat

Garniture :

3 emballages de 8 oz de fromage à la crème, coupé en morceaux
1 tasse de sucre
2 c. à soupe de farine
4 oeufs
¼ tasse de lait
1 c. à thé de vanille
½ tasse de copeaux de chocolat

Croûte :

1 c. à thé de beurre, ramolli
22 biscuits aux copeaux de chocolat
3 à 4 c. à soupe de beurre non salé, fondu

Croûte : Utiliser 1 c. à thé de beurre pour graisser un moule à charnière de 9 po ou 9½ po et mettre de côté. Avec le couteau en S en place et le robot en marche, verser les biscuits dans la trémie et mélanger jusqu'à ce qu'ils soient tous bien émiettés. Ajouter le beurre fondu dans la trémie et bien mélanger. Verser les miettes dans le moule à charnière et les tasser uniformément contre le fond du moule. Cuire à 425°F pendant 10 minutes. Sortir du four et laisser refroidir sur une grille.

Garniture : Avec le couteau en S en place, verser le fromage à la crème, le sucre, la farine, les oeufs, le lait et la vanille dans le bol. Mélanger jusqu'à consistance lisse. Verser la garniture sur la croûte refroidie et saupoudrer de copeaux de chocolat. Cuire pendant 15 minutes à 425°F. Réduire la chaleur à 250°F et continuer la cuisson (sans ouvrir la porte du four) pendant 45 minutes ou davantage ou jusqu'à ce que le gâteau au fromage soit pris. Une fois refroidi, couvrir et réfrigérer plusieurs heures ou toute la nuit. **Quantité : 16 portions.**

Conseil de cuisson : Pour obtenir un gâteau au fromage plus crémeux, le cuire dans un bain d'eau. Couper une feuille de papier d'aluminium environ 6 po plus grande que le moule à charnière. Déposer le moule au centre de la feuille d'aluminium et en envelopper le moule. Ceci pour éviter que l'eau ne s'infilte dans le moule. Placer ensuite le moule à charnière dans une plaque plus grande contenant environ 1½ po d'eau chaude du robinet. Cuire tel qu'indiqué.

Croustade aux pommes Marissa

6 grosses pommes Golden Delicious, pelées et évidées et coupées pour passer dans la trémie (6 tasses tranchées)
1 c. à soupe de jus de citron
½ tasse de sucre
1 c. à soupe de farine
1 c. à thé de cannelle
¼ c. à thé de noix de muscade

Garniture :

½ tasse de beurre fondu
1 tasse de farine
1 tasse de sucre
1 c. à thé de cannelle

Avec le disque pour trancher/hacher, côté pour trancher vers le haut, trancher les pommes. Mettre les pommes dans un grand bol. Les arroser de jus de citron. Les saupoudrer de sucre, farine, cannelle et noix de muscade. Bien mélanger, puis mettre les pommes dans un plat de cuisson de 2 pintes non graissé. Avec le couteau en S en place, verser les ingrédients de la garniture dans le bol et régler le robot au fonctionnement par impulsions jusqu'à ce que le tout soit bien mélangé. Saupoudrer la garniture sur les pommes. Cuire à 375°F pendant 30 minutes. Servir accompagné de crème glacée à la vanille. **Quantité : 6 portions.**

15

Service aux clients

Si vous avez une question au sujet du robot culinaire, composer notre numéro sans frais d'interurbain de service aux clients. Avant de faire un appel, veuillez noter les numéros, de modèle, de type et de série ci-dessous. Ces numéros se trouvent sous le robot culinaire. Ces renseignements nous aideront à répondre beaucoup plus vite à toute question.

MODÈLE : _____ **TYPE :** _____ **SÉRIE :** _____

GARANTIE LIMITÉE

Ce produit est garanti exempt de vices de matériaux et de fabrication pendant une période de un (1) an à compter de la date de l'achat original, excepté ce qui est noté ci-dessous. Au cours de cette période, nous réparerons ou remplacerons ce produit sans frais, à notre discrétion. LA GARANTIE QUI PRÉCÈDE REMPLACE TOUTE AUTRE GARANTIE, EXPRESSE OU IMPLICITE, ÉCRITE OU ORALE, Y COMPRIS TOUTE GARANTIE DE QUALITÉ MARCHANDE ET DE CONFORMITÉ À UNE FIN PARTICULIÈRE. TOUTE RESPONSABILITÉ EN VERTU DES PRÉSENTES EST EXPRESSÉMENT LIMITÉE À UN MONTANT ÉGAL AU PRIX D'ACHAT PAYÉ ET TOUTES LES RÉCLAMATIONS POUR DOMMAGES SPÉCIAUX ET INDIRECTS SONT PAR LES PRÉSENTES EXCLUES. La garantie ne s'applique pas aux accessoires suivants qui pourraient être vendus avec l'appareil : pièces en verre, récipients en verre, passoire/tamis, lames et/ou agitateurs. Cette garantie s'étend seulement à l'acheteur consommateur original et ne couvre pas les dommages provenant des abus, mésusage, négligence, usage à des fins commerciales ou tout autre usage non indiqué dans les instructions imprimées. Cette garantie vous confère des droits juridiques spécifiques; vous pouvez également jouir d'autres droits, variables d'un État à un autre ou d'une province à une autre. Certains États ou provinces ne permettent pas les limitations sur les garanties implicites ou les dommages spéciaux et indirects, de telle sorte que les limitations précédentes peuvent ne pas vous être applicables.

Si vous avez une réclamation en vertu de cette garantie, NE PAS RETOURNER L'APPAREIL AU MAGASIN! Veuillez composer notre NUMÉRO DU SERVICE AUX CLIENTS. (Pour un service plus rapide, ayez sous la main les numéros du modèle, de la série et du type pour que l'opérateur puisse vous aider).

NUMÉROS DU SERVICE AUX CLIENTS

Aux É.-U. 1-800-851-8900

Au Canada 1-800-267-2826

Adresse du site web : www.hamiltonbeach.com

CONSERVER CES NUMÉROS POUR RÉFÉRENCE ULTÉRIEURE!

HAMILTON BEACH ♦ PROCTOR-SILEX, INC.

Washington, North Carolina 27889

PROCTOR-SILEX CANADA, INC.

Picton, Ontario K0K 2T0

Adresse du site web : www.hamiltonbeach.com

840075900

11/00

16

Free Manuals Download Website

<http://myh66.com>

<http://usermanuals.us>

<http://www.somanuals.com>

<http://www.4manuals.cc>

<http://www.manual-lib.com>

<http://www.404manual.com>

<http://www.luxmanual.com>

<http://aubethermostatmanual.com>

Golf course search by state

<http://golfingnear.com>

Email search by domain

<http://emailbydomain.com>

Auto manuals search

<http://auto.somanuals.com>

TV manuals search

<http://tv.somanuals.com>