

READ BEFORE USE
LIRE AVANT UTILISATION
LEA ANTES DE USAR

Visit hamiltonbeach.com for delicious recipes, tips, and to register your product online!



Consultez hamiltonbeach.ca pour de délicieuses recettes, des conseils pratiques et pour enregistrer votre produit !

¡Visite hamiltonbeach.com.mx para recetas deliciosas, consejos, y para registrar su producto en línea!

Questions?

Please call us – our friendly associates are ready to help.
USA: 1.800.851.8900

Questions ?

N'hésitez pas à nous appeler – nos associés s'empresseront de vous aider.
CAN: 1.800.267.2826

¿Preguntas?

Por favor llámenos – nuestros amables representantes están listos para ayudar.
MEX: 01.800.71.16.100

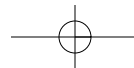
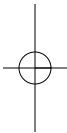
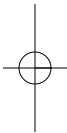
Le invitamos a leer cuidadosamente este instructivo antes de usar su aparato.



**Hamilton
Beach®**

Food Processor
Robot culinaire
Procesador de alimentos

English	2
Français	13
Español	24



IMPORTANT SAFEGUARDS

When using electrical appliances, basic safety precautions should always be followed, including the following:

1. Read and save all instructions.
2. To protect against risk of electrical shock, do not immerse base, motor, cord, or plug in water or other liquid.
3. Close supervision is necessary when any appliance is used by or near children.
4. This appliance should not be used by children.
5. Unplug cord from outlet when not in use, before putting on or taking off parts, and before cleaning.
6. Avoid contacting moving parts.
7. Do not operate any appliance with a damaged cord or plug or after the appliance malfunctions or is dropped or damaged in any manner. Call our toll-free customer service number for information on examination, repair, or electrical or mechanical adjustment.
8. The use of attachments not recommended or sold by the appliance manufacturer, may cause fire, electric shock, or injury.
9. Do not use your food processor if any part is broken.
10. Do not use appliance outdoors.
11. Do not let cord hang over edge of table or counter, or touch hot surfaces.
12. Keep hands and utensils away from moving blade and disc while processing food to reduce the risk of severe personal injury and/or damage to the food processor. A rubber scraper may be used but **ONLY** when the food processor is not running.
13. The blade and disc are sharp. Handle carefully. Store out of reach of children.
14. To reduce the risk of injury, never place cutting blade or disc on base without first putting bowl properly in place.
15. Be certain lid is securely locked in place before operating appliance.
16. Never feed food into food chute by hand. Always use the food pushers.
17. Do not attempt to defeat the lid interlock mechanism.
18. Make sure the blade or disc has come to a full stop before removing lid.
19. To reduce the risk of injury, be sure to insert or remove blade and disc using hubs provided for this purpose. Use caution when removing blade and disc from the bowl, when emptying the bowl, and when cleaning.
20. Be sure to turn switch to OFF position after each use. Always use the pushers to clear the food chute. When this method is not possible, turn the motor off and disassemble unit to remove the remaining food.
21. The appliance is not intended for commercial, professional, or industrial use. It is designed and built exclusively for household use only.
22. Never use appliance for a longer period or with a larger amount of ingredients other than that recommended by appliance manufacturer.
23. The maximum rating of this unit is based on using the chopping/mixing blade. Using the slicing/shredding disc may draw significantly less power.
24. Do not place on or near a hot gas or electric burner or in a heated oven.
25. Do not use appliance for other than intended use.

SAVE THESE INSTRUCTIONS!

OTHER CONSUMER SAFETY INFORMATION

This appliance is intended for household use only.

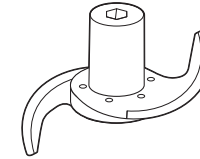
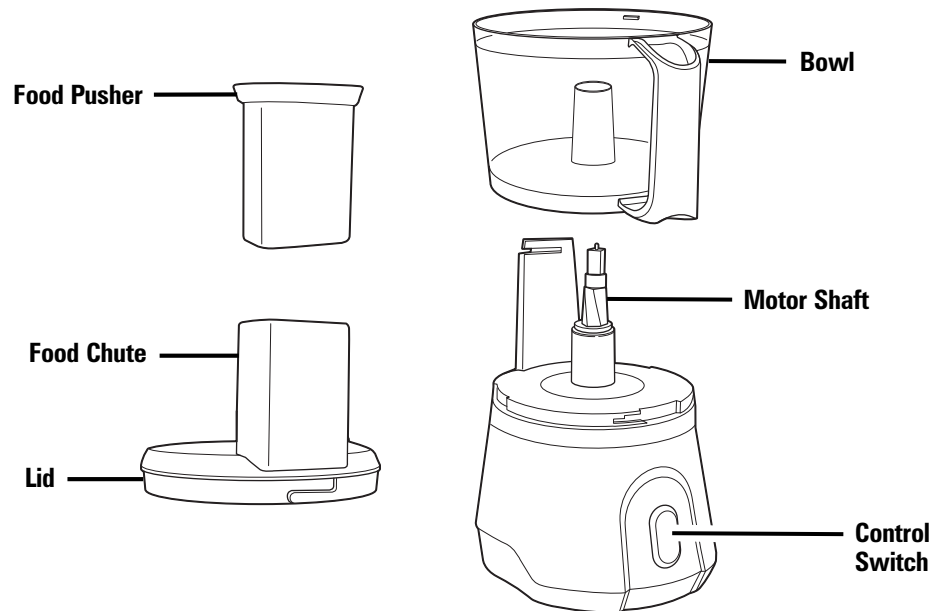
WARNING! Shock Hazard: This appliance has a polarized plug (one wide blade) that reduces the risk of electric shock. The plug fits only one way into a polarized outlet. Do not defeat the safety purpose of the plug by modifying the plug in any way or by using an adapter. If the plug does not fit, reverse the plug. If it still does not fit, have an electrician replace the outlet.

The length of the cord used on this appliance was selected to reduce the hazards of becoming tangled in or tripping over a longer cord. If a longer cord is necessary, an approved extension cord may be used. The electrical rating of the extension cord must be equal to or greater than the rating of the appliance. Care must be taken to arrange the extension cord so that it will not drape over the countertop or table-top where it can be pulled on by children or accidentally tripped over.

To avoid an electrical circuit overload, do not use another high-wattage appliance on the same circuit with your food processor.

Parts and Features

Before First Use: Unpack processor. Handle blade and disc(s) carefully; they are very sharp. Wash all parts except base in hot, soapy water. Rinse, then dry. These parts can also be placed in the top rack of a dishwasher.



Chopping/Mixing Blade
Use to coarsely chop, mince, knead, mix, or puree food.



Reversible Slicing/Shredding Disc
Use to shred cheese or to slice or shred a variety of foods (such as potatoes, pepperoni, carrots, or celery).

OPTIONAL ACCESSORIES

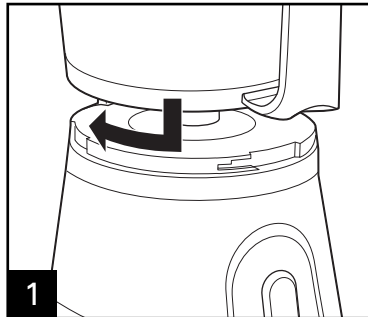
French Fry Disc
Crinkle Cut/Fine Shred Disc

To order:
1.800.851.8900 (US)
hamiltonbeach.com
1.800.267.2826 (Canada)
hamiltonbeach.ca

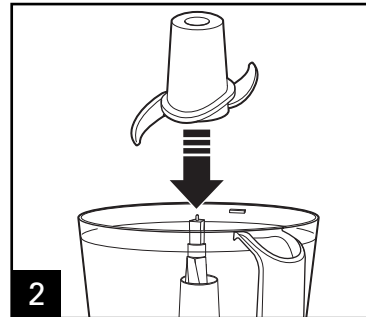
How to Use Chopping/Mixing Blade

⚠ WARNING Laceration Hazard. Handle blade carefully; it is very sharp.

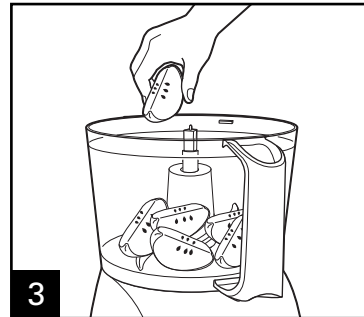
Make sure control switch is turned to **OFF** and unit is unplugged. **NOTE:** Operate using only one blade or disc at a time.



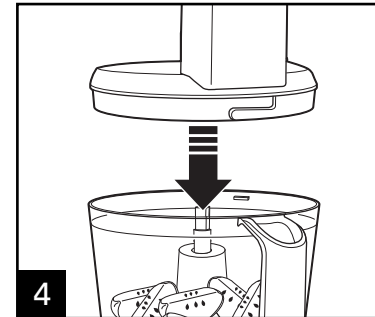
1 Align bowl and base. Turn bowl clockwise to lock into place. **NOTE:** Unit will not work unless bowl is locked.



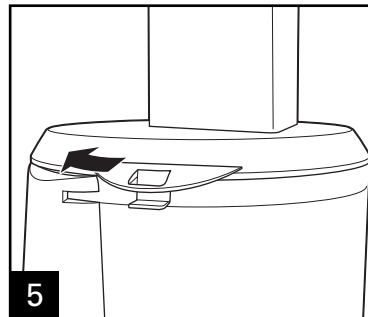
2 Carefully place blade onto motor shaft.



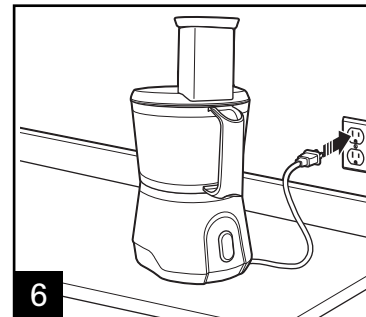
3



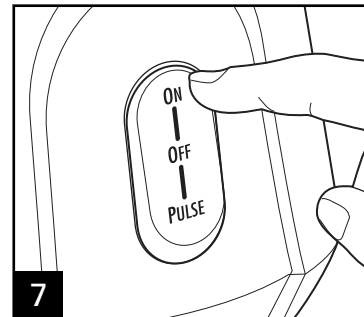
4 Align lid and bowl.



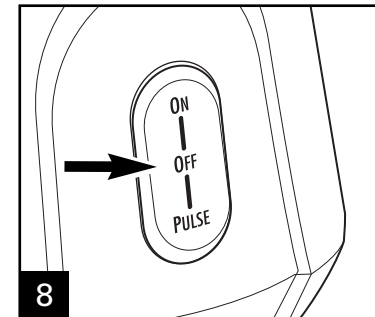
5 Turn lid clockwise to lock into place. **NOTE:** Unit will not work unless lid is locked.



6 Place food pusher in food chute. **Always use food pusher to feed food into the chute. NEVER PUSH FOOD THROUGH CHUTE WITH HANDS.**

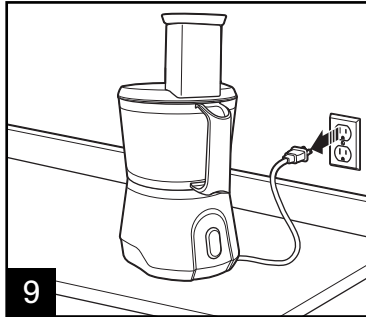


7 Select **ON** or **PULSE** on control switch. **ON:** Processor will run continuously. **PULSE:** For instant on and off control.

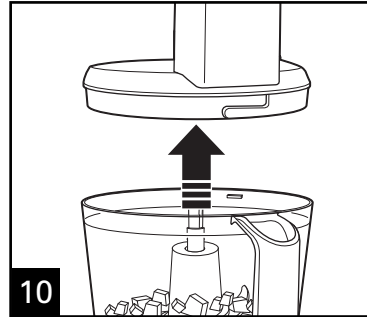


8 When finished, turn to **OFF** and unplug.

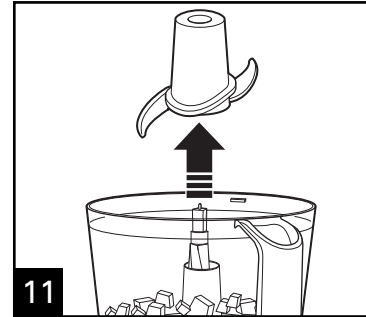
How to Use Chopping/Mixing Blade (cont.)



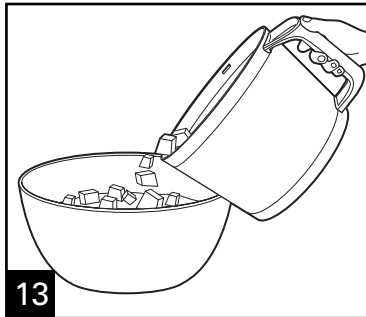
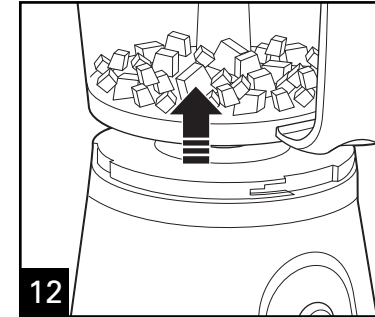
WARNING! Laceration Hazard:
Always wait until blade has
stopped moving before removing
lid.



Always remove the lid before
removing bowl to avoid possible
damage to the appliance.



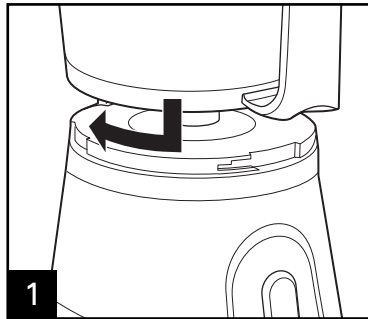
Carefully remove blade from
motor shaft.



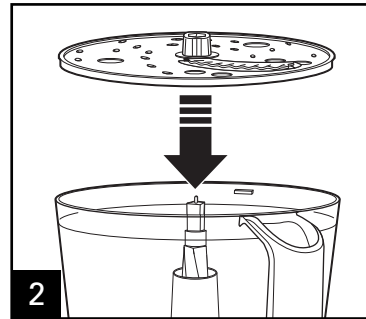
How to Use Slicing/Shredding Disc

⚠ WARNING Laceration Hazard. Handle blade carefully; it is very sharp.

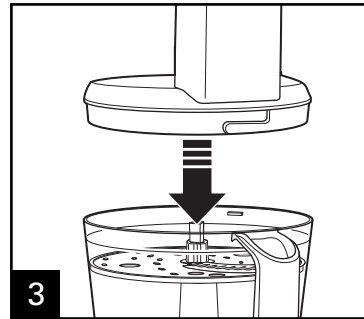
Make sure control switch is turned to **OFF** and unit is unplugged. **NOTE:** Operate using only one blade or disc at a time.



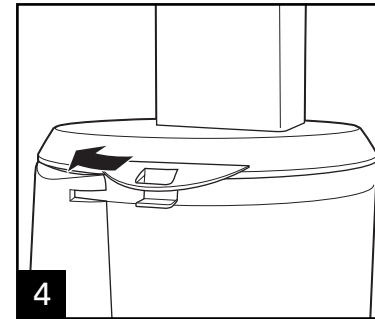
1 Align bowl and base. Turn bowl clockwise to lock into place. **NOTE:** Unit will not work unless bowl is locked.



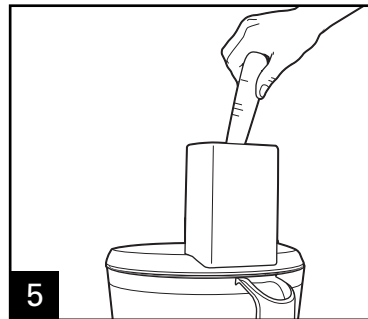
2 Carefully place disc onto motor shaft with desired side (Slice or Shred is stamped on each side of the blade) facing UP.



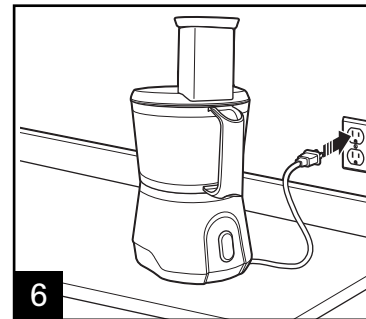
3 Align lid and bowl.



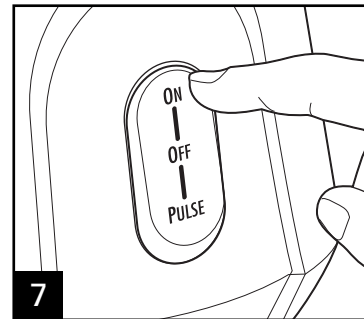
4 Turn lid clockwise to lock into place. **NOTE:** Unit will not work unless lid is locked.



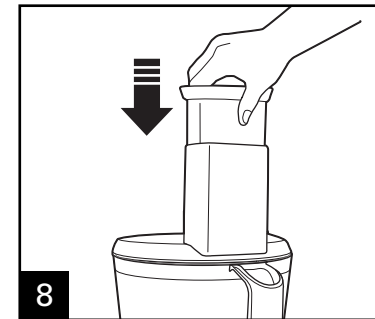
5 Cut food to fit food chute. Fill chute with food.



6 Select **ON** or **PULSE** on control switch. **ON:** Processor will run continuously. **PULSE:** For instant on and off control.

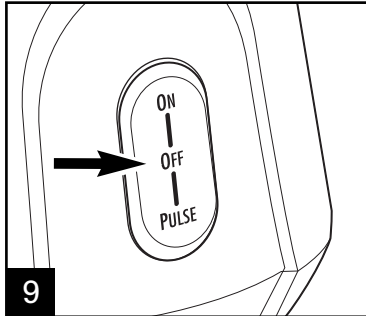


7 Always use food pusher to feed food into the chute. **NEVER PUSH FOOD THROUGH CHUTE WITH HANDS.**

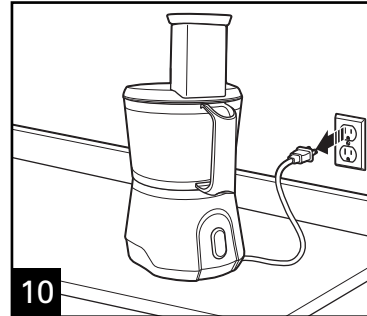


8 **NEVER PUSH FOOD THROUGH CHUTE WITH HANDS.**

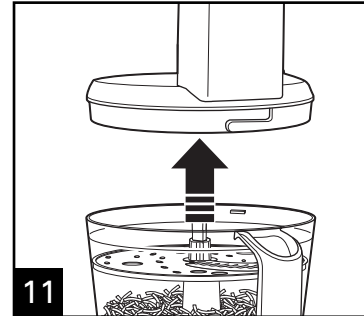
How to Use Slicer/Shredder Disc (cont.)



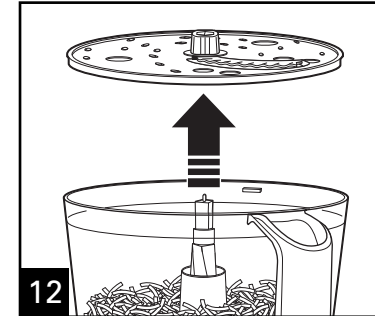
When finished, turn to **OFF** and unplug.



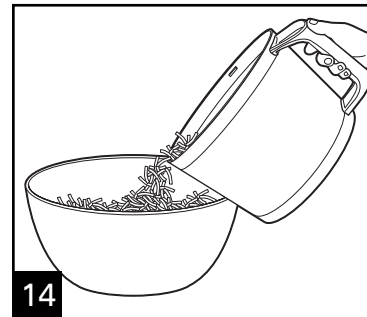
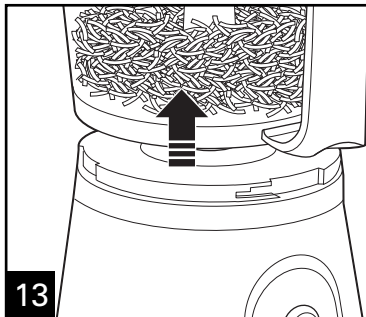
WARNING! Laceration Hazard:
Always wait until blade has stopped moving before removing lid.



Always remove the lid before removing bowl to avoid possible damage to the appliance.



Carefully remove blade from motor shaft.



Tips and Techniques

- For a more uniform consistency, start with pieces of food that are similar in size. Cut food into 1-inch (2.5-cm) pieces before processing with chopping/mixing blade and leave room in the bowl for the food to be tossed around.
- This food processor is excellent to chop, mix, slice, or shred most foods. However, to maintain peak performance, do not use your food processor for the following: grinding grain, coffee beans, or spices; slicing frozen meat; or crushing ice.
- When chopping foods, pulsing on and off will produce the best results.
- Operating time will depend on quantity of food being processed. Most foods can be sliced, chopped, or shredded in seconds. If unit is operated for 2 minutes continuously, let the processor rest about 4 minutes before continuing.
- Do not puree or mash starchy vegetables like potatoes as they are easily overprocessed and will turn gummy.
- To slice or shred cheese, select firm cheese like cheddar, Monterey Jack, or Swiss. For best results, process cheese that is well-chilled.
- The reversible slicing/shredding disc has a slicing blade on one side and shredding teeth on the other. The name stamped on the blade, facing up, is the function selected. Place on motor shaft with desired cutting edge facing up.
- To julienne vegetables, slice and then remove from bowl. Restack the vegetables. Pack into food chute with slices vertical. Slice again to make matchstick-cut vegetables.

Processing Charts

Disc attachments are reversible and labeled. This label should face UP for the desired function. When using disc attachments, do not process past the MAX LEVEL on the bowl.

ATTACHMENT	FOODS
Chopping/Mixing Blade	Chop: nuts, meat, garlic, onions, peppers, celery, herbs, bread (for crumbs), crackers Mince/Puree: vegetables, fruit Mix: salad dressings Puree: soups, sauces Grate: cheese such as Parmesan (chilled)
Slicing Disc (slicing side facing UP)	Cucumbers, apples, mushrooms, carrots, potatoes, cabbage, tomatoes, pepperoni, peppers, radishes, firm cheeses (chilled)
Shredding Disc (shredding side facing UP)	Cabbage, potatoes, carrots, cheese (chilled)

For best results do not exceed the following amounts when chopping, mincing, or pureeing with the chopping/mixing blade.

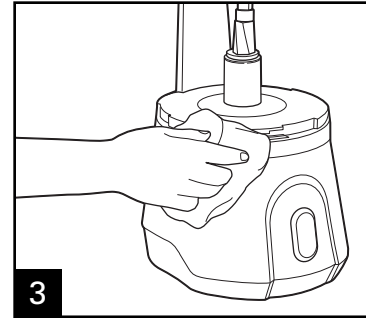
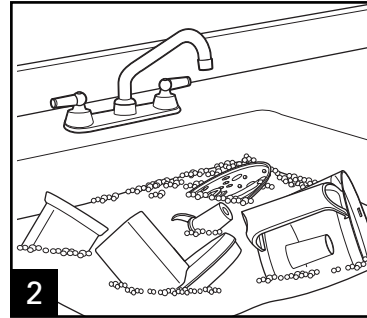
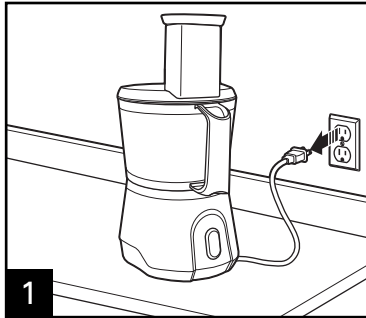
FOOD	MAXIMUM AMOUNT
Fruits and Vegetables	2 to 3 cups (500 ml to 750 ml) (cut in 1" [2.5-cm] cubes)
Meats	1 lb. (450 g) (cut in 1" [2.5-cm] cubes)
Parmesan or Romano	5 ounces (140 g) (cut in 1" [2.5-cm] cubes)
Cheddar, Jack, Mozzarella	8 ounces (226 g) (cut in 1" [2.5-cm] cubes)
Crackers	10 cups (2.3 L) (can fill bowl and lid up into chute)

Cleaning and Care

⚠ WARNING

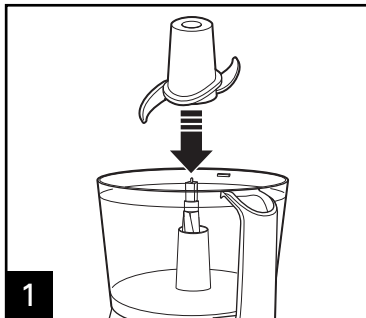
Electrical Shock Hazard.

Disconnect power before cleaning. Do not immerse cord, plug, or base in any liquid.

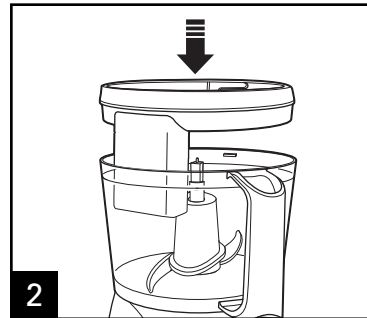


Wipe base, control switch, and cord with a damp cloth or sponge. To remove stubborn soil, use a mild nonabrasive cleanser.

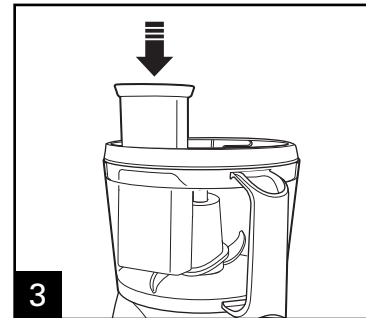
Space-Saving Storage



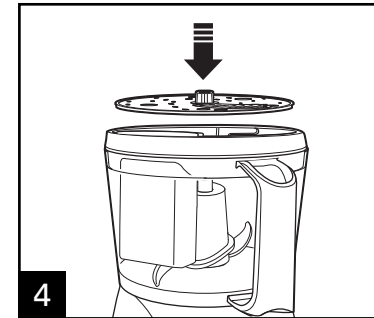
Place chopping/mixing blade on motor shaft.



Flip lid upside down and place in bowl.



Place food pusher in food chute.



Slide slicing/shredding disc onto motor shaft.
CAUTION! Laceration Hazard. Store sliding/shredding disc with slicing side down. Handle carefully.

Troubleshooting

POTENTIAL PROBLEM

PROBABLE CAUSE

Unit does not operate on any speed or Pulse.

- Is the unit plugged in? Does the outlet work?
- Are the bowl and lid locked in place? See How to Use sections.

Food is not sliced or shredded uniformly.

- Packing too much food in the food chute or pushing too hard on the food pushers may cause the processed food to be irregularly sliced or shredded. Refer to the food processing charts for recommended sizes and quantities.

Unit stops and will not come back on.

- Are the bowl and lid locked in place? They may have moved slightly during processing. See How to Use section.
- Is the outlet still working? Check it by plugging in a working lamp or other appliance. You may have overloaded the circuit and blown a fuse or tripped the circuit breaker.
- Turn unit OFF, allow to stand for 3 to 4 minutes, and then turn back ON. If none of these suggestions correct the problem, DO NOT attempt to repair the unit. Call the Customer Service number to get the name of your nearest Authorized Service Center.

Unit has a burning smell.

- There may be a residue left on the motor from the manufacturing process, causing a slight odor during initial use. This will go away. If a strong odor or any visible smoke appears, unplug unit and IMMEDIATELY call the Customer Service number.

Motor seems weak.

- Are you using the recommended food size and quantity to be processed? Refer to the Processing Charts for recommended food sizes and speeds.

Limited Warranty

This warranty applies to products purchased in the U.S. and Canada. This is the only express warranty for this product and is in lieu of any other warranty or condition.

This product is warranted to be free from defects in material and workmanship for a period of one (1) year from the date of original purchase. During this period, your exclusive remedy is repair or replacement of this product or any component found to be defective, at our option; however, you are responsible for all costs associated with returning the product to us and our returning a product or component under this warranty to you. If the product or component is no longer available, we will replace with a similar one of equal or greater value.

This warranty does not cover glass, filters, wear from normal use, use not in conformity with the printed directions, or damage to the product resulting from accident, alteration, abuse, or misuse. This warranty extends only to the original consumer purchaser or gift recipient. Keep the original sales receipt, as proof of purchase is required to make a warranty claim. This warranty is void if the product is used for other than single-family household use.

We exclude all claims for special, incidental, and consequential damages caused by breach of express or implied warranty. All liability is limited to the amount of the purchase price. **Every implied warranty, including any statutory warranty or condition of merchantability or fitness for a particular purpose, is disclaimed except to the extent prohibited by law, in which case such warranty or condition is limited to the duration of this written warranty.** This warranty gives you specific legal rights. You may have other legal rights that vary depending on where you live. Some states or provinces do not allow limitations on implied warranties or special, incidental, or consequential damages, so the foregoing limitations may not apply to you.

To make a warranty claim, do not return this appliance to the store. Please call 1.800.851.8900 in the U.S. or 1.800.267.2826 in Canada or visit hamiltonbeach.com in the U.S. or hamiltonbeach.ca in Canada. For faster service, locate the model, type, and series numbers on your appliance.

CONSEILS DE SÉCURITÉ IMPORTANTS

Pendant l'utilisation d'appareils électriques, des mesures de sécurité élémentaires doivent toujours être respectées, incluant les suivantes :

1. Lire et conserver toutes les instructions.
2. Pour éviter les risques d'électrocution, ne pas immerger la base, le moteur, le cordon et la fiche dans l'eau ou tout autre liquide.
3. L'utilisation de tout appareil par ou près des enfants requiert une surveillance accrue.
4. Cet appareil ne doit pas être utilisé par un enfant.
5. Débrancher le cordon de la prise dès la fin de l'utilisation, avant d'installer ou de retirer des pièces et avant le nettoyage.
6. Éviter de toucher des pièces mobiles.
7. Ne pas utiliser quelconque appareil dont le cordon ou la prise est endommagé ou dans le cas de dysfonctionnement de l'appareil, d'une chute ou de tout autre dommage. Appeler le numéro sans frais du service à la clientèle pour plus d'information à propos d'une vérification, d'une réparation ou d'un réglage électrique ou mécanique.
8. L'utilisation d'accessoires non recommandés par le fabricant ou vendus par le fabricant de l'appareil peut provoquer un incendie, une électrocution ou des blessures.
9. Ne pas utiliser votre robot culinaire si des pièces sont brisées.
10. Ne pas utiliser cet appareil à l'extérieur.
11. Ne pas laisser pendre le cordon de la table ou du comptoir et éviter tout contact entre le cordon et les surfaces chaudes.
12. Tenir les mains et les ustensiles éloignés de la lame et du disque en mouvement pendant la transformation des aliments pour éviter les blessures graves et les dommages au robot culinaire. Un racloir en plastique peut être utilisé, mais **UNIQUEMENT** pendant l'arrêt du robot culinaire.
13. La lame et le disque sont coupants. Manipuler avec soin. Ranger hors de la portée des enfants.
14. Pour éviter les risques de blessures, ne jamais placer la lame de coupe ou un disque sur le socle sans avoir préalablement installé le récipient correctement.
15. S'assurer que le couvercle est en place et bien verrouillé avant de faire fonctionner l'appareil.
16. Ne jamais introduire d'aliments dans l'entonnoir avec les mains. Toujours utiliser les poussoirs.
17. Ne pas tenter de démonter le mécanisme de verrouillage.
18. S'assurer que la lame ou le disque cesse de fonctionner avant de retirer le couvercle.
19. Pour éviter les risques de blessures, s'assurer d'installer ou de retirer la lame et le disque en utilisant les embouts fournis à cet effet. Faire preuve de prudence au moment de retirer la lame ou le disque du récipient, pendant le vidage du récipient et lors du nettoyage.
20. S'assurer que le commutateur est en position d'arrêt (O) après chaque utilisation. Toujours utiliser les poussoirs pour désobstruer l'entonnoir. Lorsque cette méthode est impossible, arrêter le moteur et démonter le récipient pour retirer les aliments coincés.
21. Cet appareil n'est pas conçu pour une utilisation commerciale, professionnelle ou industrielle. Cet appareil est conçu uniquement pour une utilisation domestique.
22. Ne jamais prolonger le temps de fonctionnement de cet appareil ou utiliser des quantités d'aliments supérieures aux recommandations du fabricant.
23. La valeur nominale de cet appareil repose uniquement sur l'utilisation de la lame à hacher/mélanger. L'utilisation du disque à trancher/râper exige est moins énergivore.
24. Ne pas placer sur une cuisinière électrique ou à gaz ou dans un four chaud ou à proximité de ces appareils.
25. N'utiliser cet appareil que pour les fonctions auxquelles il est destiné.

CONSERVER CES INSTRUCTIONS!

AUTRES CONSIGNES DE SÉCURITÉ POUR LE CONSOMMATEUR

Cet appareil est conçu pour une utilisation domestique seulement.

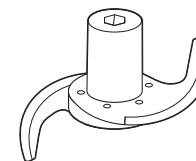
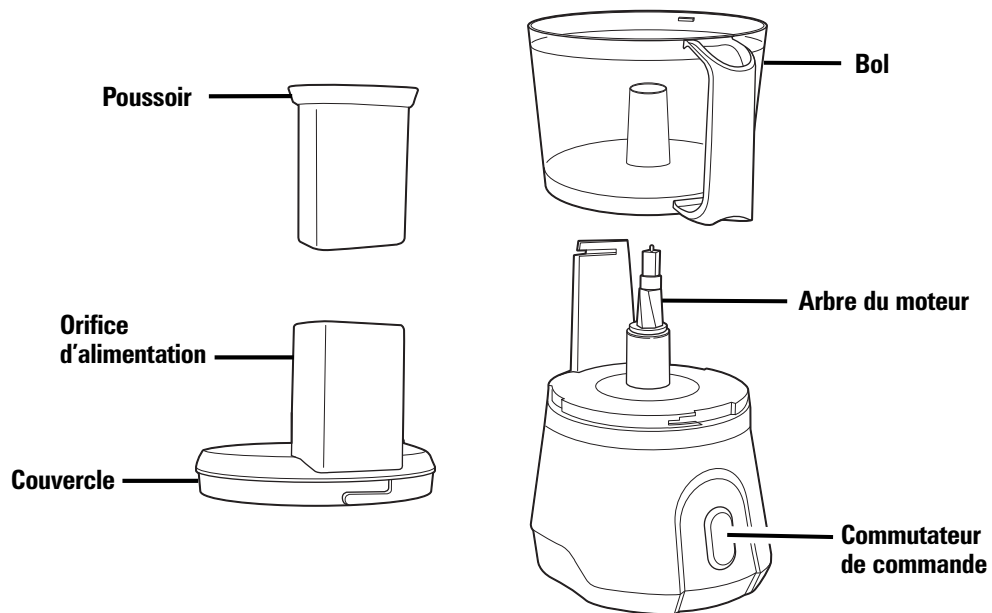
AVERTISSEMENT ! Risque d'électrocution : Cet appareil est doté d'une fiche polarisée (lame large) qui réduit le risque d'électrocution. Cette fiche s'insère d'une seule manière dans une prise polarisée. Ne pas modifier d'aucune manière le dispositif de sécurité de la fiche et ne pas utiliser d'adaptateur. Inverser la fiche si elle refuse de s'insérer. Si elle refuse toujours de s'insérer, faire remplacer la prise par un électricien.

La longueur du cordon installé sur cet appareil a été déterminée en vue de réduire les risques d'enchevêtrement ou de trébuchement causés par un fil trop long. L'utilisation d'une rallonge approuvée est permise si le cordon est trop court. Les caractéristiques électriques de la rallonge doivent être équivalentes ou supérieures aux caractéristiques de l'appareil. Prendre toutes les précautions nécessaires pour installer la rallonge de manière à ne pas la faire courir sur le comptoir ou sur une table et pour éviter qu'un enfant ne tire sur le cordon ou trébuche accidentellement.

Pour éviter une surcharge du circuit électrique, ne pas faire fonctionner d'autre appareil à grande puissance sur le même circuit que le robot culinaire.

Pièces et caractéristiques

Avant la première utilisation : Déballage du robot culinaire. Manipuler la lame et les disques avec soin; elles sont très coupantes. Laver toutes les pièces, sauf le socle, à l'eau chaude savonneuse. Rincer et assécher. Ces pièces peuvent être déposées dans le bac supérieure du lave-vaisselle.



Lame à hacher/mélanger

Utiliser pour hacher grossièrement les aliments, pour les ciseler, pour les pétrir, pour les mélanger ou pour les purer.



Disque réversible à trancher/râper

Utiliser pour effilocheur le fromage ou pour trancher ou hacher divers types d'aliments (pommes de terre, saucissons, carottes ou céleri).

ACCESSOIRES FACULTATIFS

Disque à frites

Disque pour frites ondulées/ disque déchiqueteur fin

Pour commander :

1.800.851.8900 (É.-U.)

hamiltonbeach.com

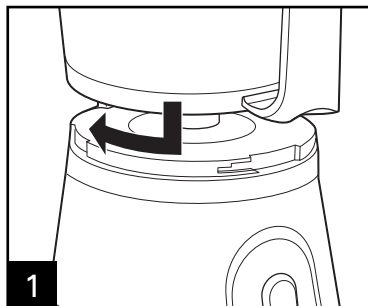
1.800.267.2826 (Canada)

hamiltonbeach.ca

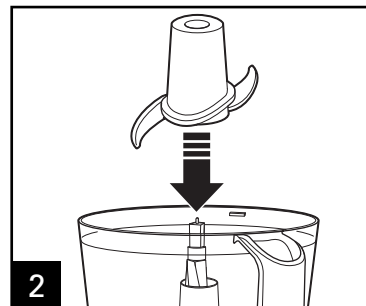
Utilisation de la lame à hacher/mélanger

⚠ AVERTISSEMENT Risque de lacérations. Tenir la lame avec soin, elle est très coupante.

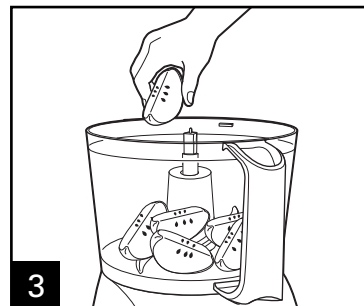
S'assurer que le commutateur de commande est fermé (**OFF**) et que l'appareil est débranché. **NOTE** : N'utiliser qu'une seule lame ou qu'un seul disque à la fois.



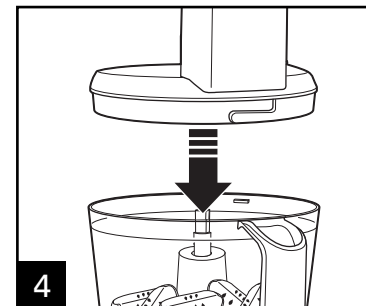
1 Aligner le récipient au socle. Tourner le récipient dans le sens des aiguilles d'une montre pour le verrouiller en place.
NOTE : L'appareil ne fonctionne pas tant que le récipient n'est pas verrouillé.



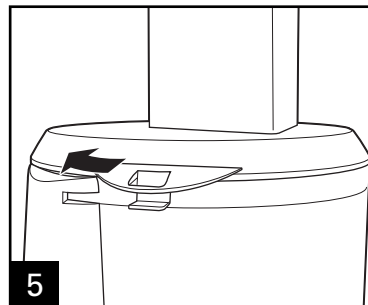
2 Placer soigneusement la lame sur l'arbre du moteur.



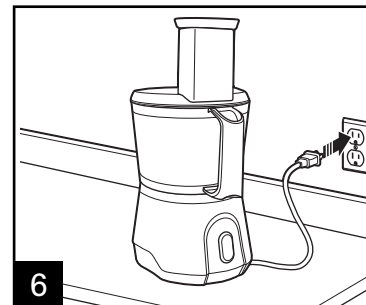
3



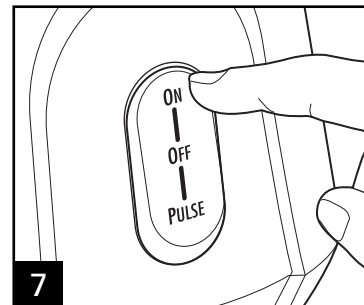
4 Aligner le couvercle au récipient.



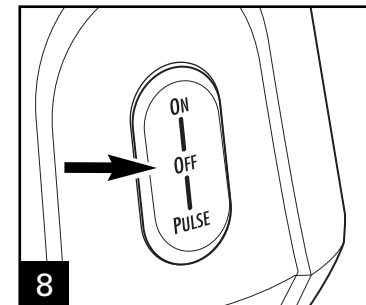
5 Tourner le couvercle dans le sens des aiguilles d'une montre pour verrouiller en place.
NOTE : L'appareil ne fonctionne pas tant que le couvercle n'est pas verrouillé.



6 Insérer le poussoir dans l'entonnoir. **Utiliser toujours le poussoir pour charger les aliments dans l'entonnoir. NE JAMAIS INTRODUIRE D'ALIMENTS DANS L'ENTONNOIR AVEC LES MAINS.**

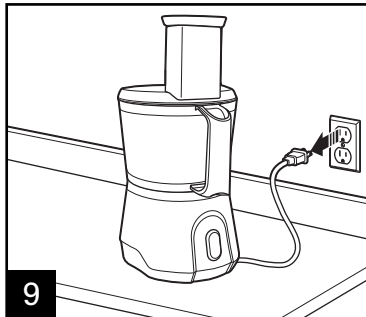


7 Choisir **ON** ou **PULSE** sur le commutateur de commande.
ON : Le robot fonctionnera de façon continue.
PULSE : Pour contrôler le fonctionnement ou l'arrêt instantané.

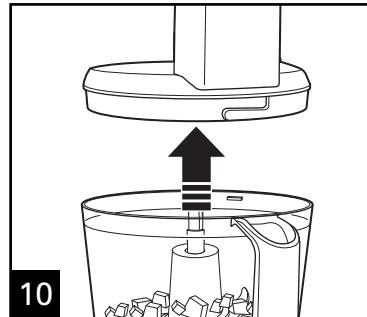


8 Une fois le travail terminé, éteindre l'appareil et débrancher la base.

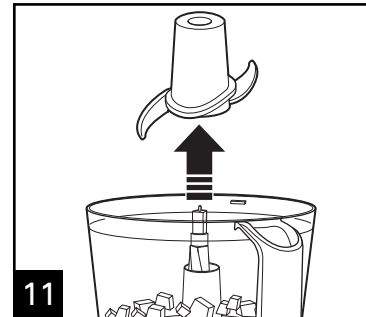
Utilisation de la lame à hacher/mélanger (suite)



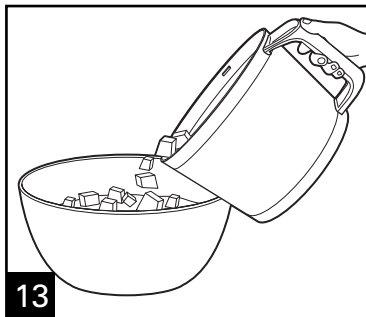
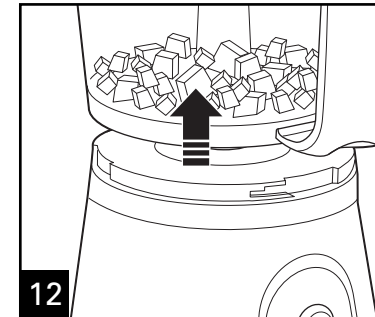
AVERTISSEMENT! Risque de lacérations : Attendre la fin de la rotation de la lame avant de retirer le couvercle.



Pour éviter tout risque de dommage à l'appareil, toujours retirer le couvercle avant de retirer le récipient.



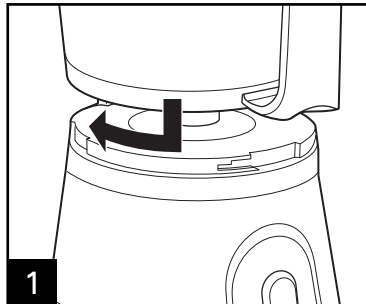
Retirer soigneusement la lame de l'arbre du moteur.



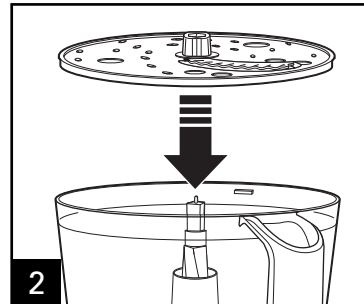
Utilisation du disque à trancher/déchiQUETER

⚠ AVERTISSEMENT Risque de lacérations.
Tenir la lame avec soin,
elle est très coupante.

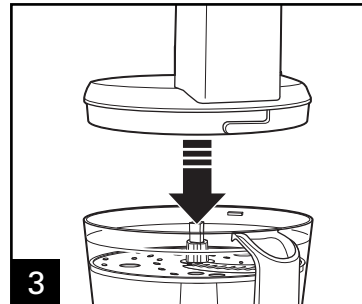
S'assurer que le commutateur de commande est fermé (**OFF**) et que l'appareil est débranché. **NOTE** : N'utiliser qu'une seule lame ou qu'un seul disque à la fois.



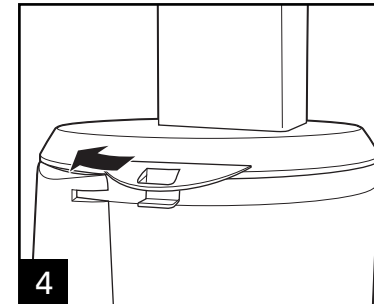
1 Aligner le récipient au socle. Tourner le récipient dans le sens des aiguilles d'une montre pour le verrouiller en place.
NOTE: L'appareil ne fonctionne pas tant que le récipient n'est pas verrouillé.



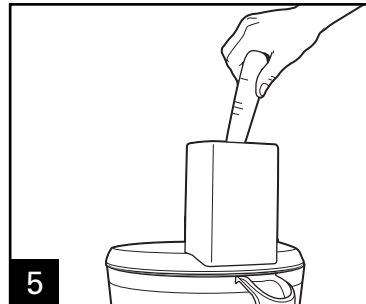
2 Déposer soigneusement le disque sur l'arbre du moteur en s'assurant que la face désirée soit tournée vers le HAUT (les mots trancher ou déchiQUETER sont inscrits sur chaque côté de la lame).



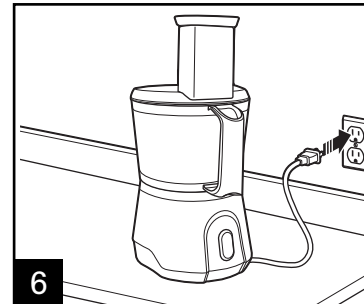
3 Aligner le couvercle au récipient.



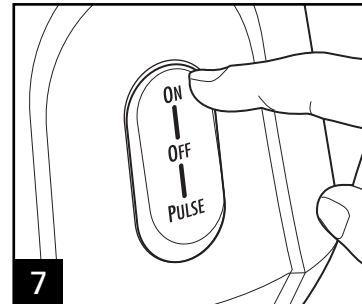
4 Tourner le couvercle dans le sens des aiguilles d'une montre pour verrouiller en place.
NOTE : L'appareil ne fonctionne pas tant que le couvercle n'est pas verrouillé.



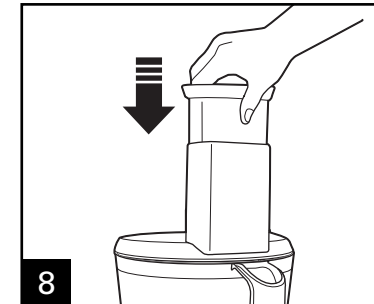
5 Tailler les aliments pour qu'ils s'insèrent dans l'entonnoir. Remplir l'entonnoir d'aliments.



6

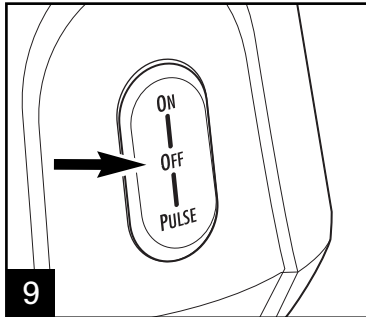


7 Choisir **ON** ou **PULSE** sur le commutateur de commande. **ON** : Le robot fonctionnera de façon continue. **PULSE** : Pour contrôler le fonctionnement ou l'arrêt instantané.

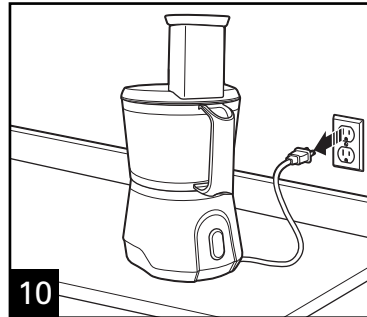


8 Utiliser toujours le poussoir pour charger les aliments dans l'entonnoir. **NE JAMAIS INTRODUIRE D'ALIMENTS DANS L'ENTONNOIR AVEC LES MAINS.**

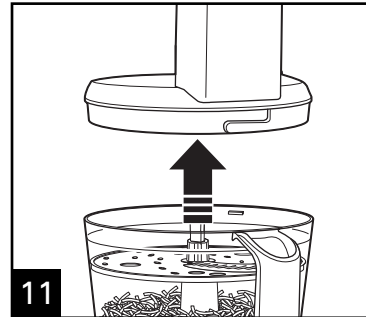
Utilisation du disque à trancher/déchiqúeter (suite)



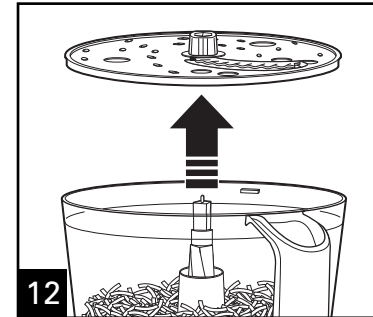
Une fois le travail terminé, éteindre l'appareil et débrancher la base.



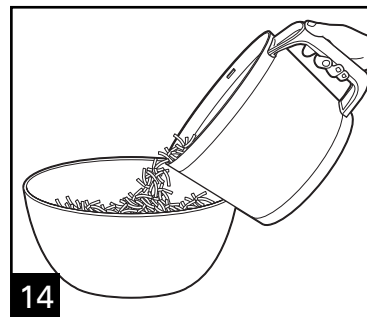
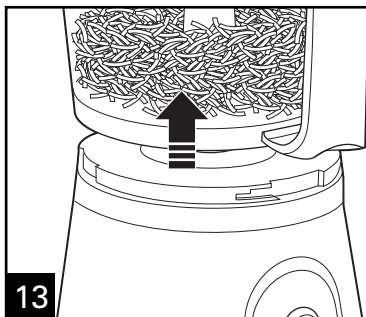
AVERTISSEMENT! Risque de lacérations : Attendre la fin de la rotation de la lame avant de retirer le couvercle.



Pour éviter tout risque de dommage à l'appareil, toujours retirer le couvercle avant de retirer le récipient.



Retirer soigneusement le disque de l'arbre du moteur.



Conseils et méthodes

- Pour obtenir une consistance uniforme, commencer par les morceaux d'aliments de même taille. Couper les aliments en morceaux de 1 pouce (2,5 cm) avant de les passer à la lame à hacher/mélanger; laisser suffisamment d'espace dans l'entonnoir pour que les aliments circulent.
- Ce robot culinaire est idéal pour hacher, mélanger, trancher ou râper la plupart des aliments. Toutefois, pour assurer un rendement optimal, ne pas utiliser le robot culinaire pour les tâches suivantes : mouler le grain, moulin les grains de café ou les épices; trancher de la viande congelée ou concasser de la glace.
- Pour hacher les aliments et obtenir des résultats optimaux, utiliser le mode d'impulsion en alternant la marche/arrêt.
- Le temps de fonctionnement dépend de la quantité d'aliments à transformer. La plupart des aliments peuvent être tranchés, hachés ou déchiquetés en quelques secondes. Si l'appareil est utilisé de manière continue pendant 2 minutes, laisser reposer le robot culinaire pendant 4 minutes approximativement avant de poursuivre.
- Ne pas mettre en purée ou piler des légumes tels que les pommes de terre, car leur surtransformation est rapide et la texture sera collante.
- Pour trancher ou râper du fromage, choisir des fromages fermes comme le cheddar, Monterrey Jack ou le suisse. Pour des résultats optimaux, le fromage doit être bien refroidi avant de le transformer.
- Le disque à trancher/râper réversible possède une face avec une lame pour trancher et une autre avec des dents pour déchiqueter. Le nom gravé sur la lame, face vers le haut, est la fonction choisie. Placer la lame sur l'arbre du moteur en plaçant la face de coupe désirée vers le haut.
- Pour tailler les légumes en julienne, les trancher et ensuite les retirer de l'entonnoir. Les empiler à nouveau. Remettre les légumes taillés dans l'entonnoir en plaçant les tranches à la verticale. Trancher à nouveau pour obtenir des légumes taillés en julienne fine.

Tableaux de transformation

Les disques accessoires sont réversibles et identifiés. Cette étiquette doit se retrouver vers le HAUT pour obtenir la fonction désirée. Ne pas dépasser le niveau de remplissage maximal (MAX LEVEL) indiqué sur le récipient lors de l'utilisation des disques accessoires.

ACCESSOIRES	ALIMENTS
Lame à hacher/mélanger	Couper en morceaux : les noix, la viande, l'ail, les oignons, les poivrons, le céleri, les fines herbes, le pain (pour des miettes) et des craquelins Émincer/passer en purée : les légumes et les fruits Mélanger : les vinaigrettes Passer en purée : les soupes et les sauces Râper : le fromage tel que le Parmesan (refroidi)
Disque à trancher (face à trancher vers le HAUT)	Les concombres, les pommes, les champignons, les carottes, les pommes de terre, le chou, les tomates, les saucissons, les poivrons, les radis, les fromages à pâte ferme (refroidis)
Disque à râper (face à râper vers le HAUT)	Le chou, les pommes de terre, les carottes, le fromage (refroidi)

Pour des résultats optimaux, ne pas excéder les quantités suivantes pour hacher, émincer ou mettre en purée à l'aide de la lame à hacher/mélanger.

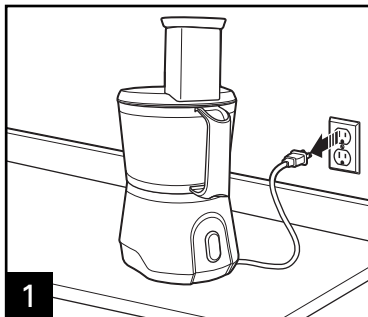
ALIMENT	QUANTITÉ MAXIMALE
Fruits et légumes	2 à 3 tasses (500 ml à 750 ml) (couper en cubes de 1 po [2,5-cm])
Vianades	1 lb. (450 g) (couper en cubes de 1 po [2,5-cm])
Parmesan ou Romano	5 oz. (140 g) (couper en cubes de 1 po [2,5-cm])
Cheddar, Monterey Jack, Mozarella	8 oz. (226 g) (couper en cubes de 1 po [2,5-cm])
Craquelins	10 tasses (2,3 L) remplissage du récipient jusqu'au niveau de l'entonnoir

Nettoyage et entretien

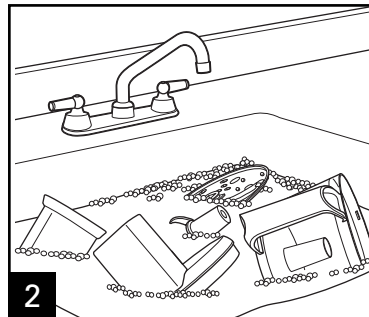
⚠ AVERTISSEMENT

Risque d'électrocution.

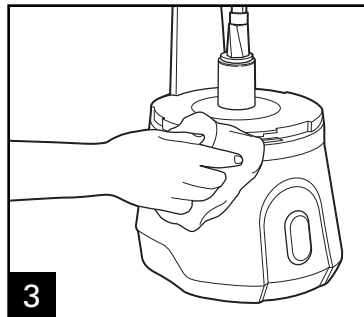
Débrancher l'appareil avant le nettoyage. Ne pas immerger le cordon, la fiche ou la base dans l'eau.



1



2



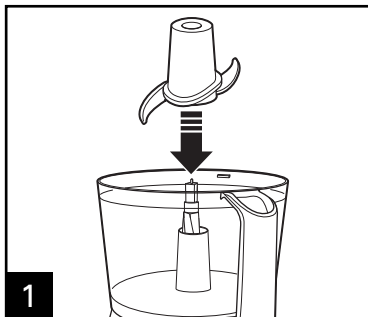
3



LAVABLE AU LAVE-VAISSELLE

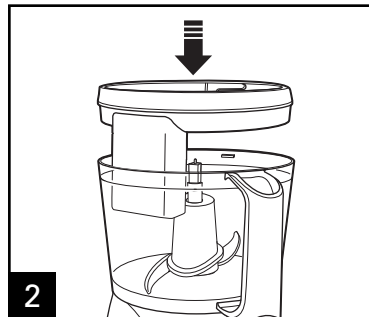
Rangement à faible encombrement

Essuyer le socle, le commutateur de commande et le cordon avec un linge humide ou une éponge. Pour enlever les taches rebelles, utiliser un nettoyant doux non abrasif.



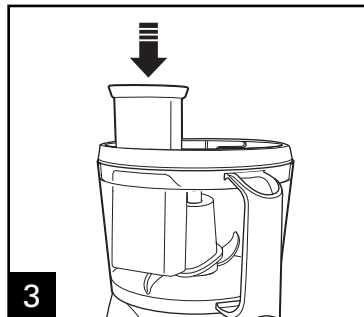
1

Fixer la lame à hacher/mélanger sur l'arbre du moteur.



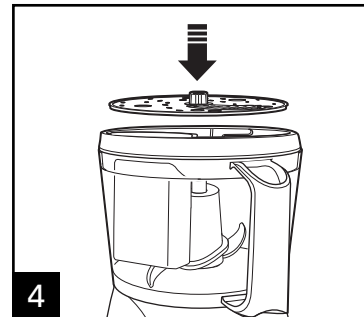
2

Basculer le couvercle à l'envers et le placer dans le récipient.



3

Insérer le poussoir dans l'entonnoir.



4

Glisser la lame à trancher/déchiqeter sur l'arbre du moteur. **MISE EN GARDE!** Risque de lacérations. Ranger la lame à trancher/déchiqeter avec la face de trancher vers le bas. Manipuler avec soin.

21

Dépannage

PROBLÈME POSSIBLE

Les vitesses et le mode d'impulsion de l'appareil ne fonctionnent pas.

Les aliments ne sont pas tranchés ou déchiquetés uniformément.

L'appareil s'arrête et refuse de fonctionner.

L'appareil dégage une odeur de brûlé.

Le régime du moteur semble faible.

CAUSE POSSIBLE

- L'appareil est-il branché? La prise fonctionne-t-elle?
- Le récipient et le couvercle sont-ils verrouillés? Voir le chapitre « Utilisation ».

- Le bourrage excessif d'aliments dans l'entonnoir ou l'enfonçage trop fort des poussoirs risque de produire des aliments tranchés ou déchiquetés irrégulièrement. Consultez le tableau de transformation des aliments qui indiquent les grosseurs et quantités suggérées.

- Le récipient et le couvercle sont-ils verrouillés? Ces éléments peuvent avoir été déplacés légèrement pendant la transformation. Voir le chapitre « Utilisation ».
- Est-ce que la prise est fonctionnelle? Vérifier son fonctionnement avec une lampe ou un autre appareil. Le circuit a probablement été surchargé et fait sauter un fusible ou déclenché un disjoncteur.
- Mettre l'appareil hors tension (OFF); attendre 3 à 4 minutes, puis remettre sous tension (ON). Si aucune de ces solutions ne corrige le problème, NE PAS tenter de réparer l'appareil. Composer le numéro sans frais du service à la clientèle pour obtenir les coordonnées du centre de service autorisé le plus près de chez vous.

- Un résidu de fabrication peut se trouver sur le moteur et peut occasionner une légère odeur de brûlé au cours de la première utilisation. Ceci ne se reproduira plus. Si une forte odeur et une fumée se dégagent de l'appareil, débrancher l'appareil et appeler IMMÉDIATEMENT le numéro sans frais du service à la clientèle.

- Est-ce que la grosseur et la quantité d'aliments transformés sont respectées? Consulter les tableaux de transformation pour obtenir les grosseurs d'aliments et les vitesses recommandées.

Garantie limitée

Cette garantie s'applique aux produits achetés aux É.-U. et au Canada. C'est la seule garantie expresse pour ce produit et est en lieu et place de tout autre garantie ou condition.

Ce produit est garanti contre tout défaut de matériaux et de main-d'oeuvre pour une période de un (1) an à compter de la date d'achat d'origine. Au cours de cette période, votre seul recours est la réparation ou le remplacement de ce produit ou tout composant s'avérant défectueux, à notre gré, mais vous êtes responsable de tous les coûts liés à l'expédition du produit et le retour d'un produit ou d'un composant dans le cadre de cette garantie. Si le produit ou un composant n'est plus offert, nous le remplacerons par un produit similaire de valeur égale ou supérieure.

Cette garantie ne couvre pas le verre, les filtres, l'usure d'un usage normal, l'utilisation non conforme aux directives imprimées, ou des dommages au produit résultant d'un accident, modification, utilisation abusive ou incorrecte. Cette garantie s'applique seulement à l'acheteur original ou à la personne l'ayant reçu en cadeau. La présentation du reçu de vente d'origine comme preuve d'achat est nécessaire pour faire une réclamation au titre de cette garantie. Cette garantie ne s'applique pas si le produit est utilisé à d'autres fins qu'une utilisation domiciliaire familiale.

Nous excluons toutes les réclamations au titre de cette garantie pour les dommages spéciaux, consécutifs et indirects causés par la violation de garantie expresse ou implicite. Toute responsabilité est limitée au prix d'achat. **Chaque garantie implicite, y compris toute garantie ou condition de qualité marchande ou d'adéquation à un usage particulier, est exonérée, sauf dans la mesure interdite par la loi, auquel cas la garantie ou condition est limitée à la durée de cette garantie écrite.** Cette garantie vous donne des droits légaux précis. Vous pouvez avoir d'autres droits qui varient selon l'endroit où vous habitez. Certaines provinces ne permettent pas les limitations sur les garanties implicites ou les dommages spéciaux ou indirects de telle sorte que les limitations ci-dessus ne s'appliquent peut-être pas à votre cas.

Ne pas retourner cet appareil au magasin lors d'une réclamation au titre de cette garantie. Téléphoner au 1.800.851.8900 aux É.-U. ou au 1.800.267.2826 au Canada ou visiter le site internet www.hamiltonbeach.com aux É.-U. ou www.hamiltonbeach.ca au Canada. Pour un service plus rapide, trouvez le numéro de modèle, le type d'appareil et les numéros de série sur votre appareil.

SALVAGUARDIAS IMPORTANTES

Cuando use aparatos eléctricos, siempre se deben seguir las precauciones básicas de seguridad, incluyendo las siguientes:

1. Lea y guarde todas las instrucciones.
2. Verifique que el voltaje de su instalación corresponda con el del producto.
3. Para protegerse contra riesgos de descarga eléctrica, no sumerja la base, motor, cable o enchufe en agua u otro líquido.
4. Se requiere de una supervisión estrecha cuando cualquier aparato es usado por o cerca de niños.
5. El aparato no debe ser usado por niños.
6. Desconecte el cable de la toma cuando no esté en uso, antes de poner o quitar partes y antes de limpiar.
7. Evite contactar partes móviles.
8. No opere ningún aparato con cables o enchufe dañados o después de que el aparato funcione mal o se caiga o dañe de cualquier manera. Llame a nuestro número de servicio al cliente sin costo para información sobre examinación, reparación o ajuste eléctrico o mecánico.
9. El uso de aditamentos no recomendados o vendidos por el fabricante del aparato, puede causar fuego, descarga eléctrica o lesión.
10. No use su procesador de alimentos si alguna pieza está quebrada.
11. No use el aparato en exteriores.
12. No deje que el cable cuelgue sobre el borde de una mesa o barra, o toque superficies calientes.
13. Mantenga las manos y utensilios lejos de la cuchilla móvil y del disco mientras se procesa alimento para reducir el riesgo de lesiones personales severas y/o daño al procesador de alimentos. Se puede usar un raspador de plástico SOLAMENTE cuando el procesador de alimento no funcione.
14. La cuchilla y el disco están afilados. Manéjelo con cuidado. Almacene lejos del alcance de los niños.
15. Para reducir el riesgo de lesiones, nunca coloque la cuchilla cortante o disco en la base sin primero poner el tazón adecuadamente en su lugar.
16. Asegúrese de que la tapa esté abrochada de manera segura en su lugar antes de usar el aparato.
17. Nunca meta el alimento en el ducto con la mano. Siempre use los empujadores de alimento.
18. No intente eliminar el mecanismo de entrebloqueo de la tapa.
19. Asegúrese que la cuchilla o disco se hayan detenido completamente antes de remover la tapa.
20. Para reducir el riesgo de una lesión, asegúrese de insertar o remover la cuchilla y disco usando los concentradores provisto para tal propósito. Tenga cuidado cuando remueva la cuchilla y disco del tazón, cuando vacíe el tazón y cuando limpie.
21. Asegúrese de poner el interruptor en posición de APAGADO (**O**) después de cada uso. Siempre use los empujadores para vaciar el ducto de alimentos. Cuando este método no sea posible, apague el motor y desensamble la unidad para remover el resto del alimento.
22. El aparato no fue hecho para uso comercial, profesional o industrial. Fue diseñado y construido exclusivamente para uso casero solamente.
23. Nunca use el aparato por un periodo más largo o con una cantidad mayor de ingredientes de los recomendados por el fabricante del aparato.
24. La clasificación máxima de esta unidad está basada en el uso de la Cuchilla Cortadora/Mezcladora. Usando el Disco para Rebanar/Deshebrar puede requerir menos energía.
25. No coloque sobre o cerca de un quemador de gas o eléctrico caliente o en un horno caliente.
26. No use el aparato para otros usos mas que para el que fue planeado.

¡GUARDE ESTAS INSTRUCCIONES!

OTRA INFORMACIÓN DE SEGURIDAD PARA EL CLIENTE

Este aparato está planeado para uso doméstico.

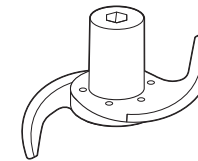
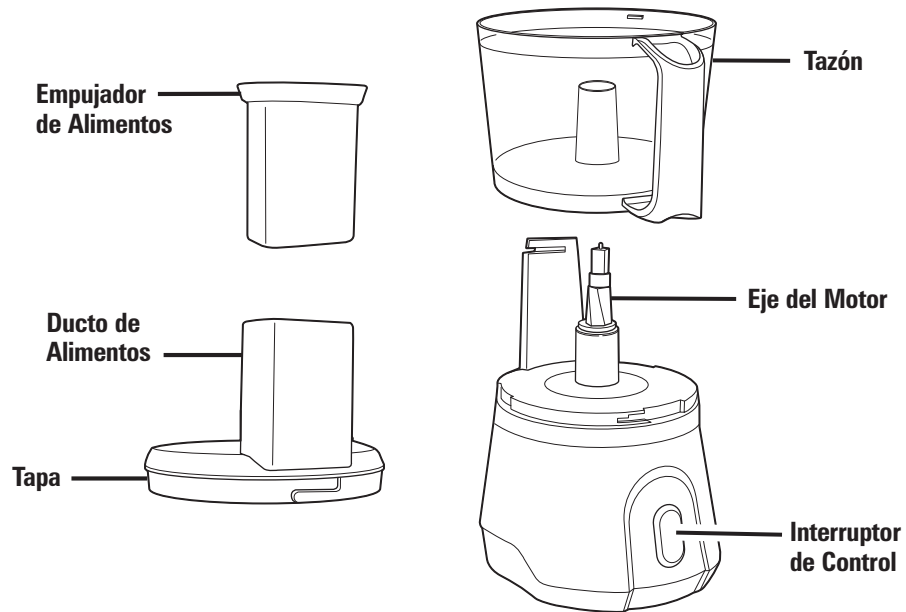
¡ADVERTENCIA! Peligro de Descarga: Este aparato tiene un enchufe polarizado (una clavija ancha) que reduce el riesgo de descarga eléctrica. El enchufe se ajusta sólo de un manera en una toma polarizada. No elimine el propósito de seguridad del enchufe modificando el enchufe de ninguna manera o usando un adaptador. Si el enchufe no entra, invierta el enchufe. Si aún no entra, haga que un eléctrico reemplace la toma.

La longitud del cable usado para este aparato fue seleccionado para reducir los peligros de enredarse o tropezarse con un cable más largo. Si se necesita un cable más largo, se puede usar un cable extensión aprobado. La clasificación eléctrica de la cable extensión debe ser igual o mayor que la clasificación del aparato. Se debe de tener cuidado de acomodar el cable extensión de manera que no cuelgue de una cubierta o mesa y que pueda ser jalado por un niño o pueda provocar un tropiezo accidental.

Para evitar una sobrecarga del circuito eléctrico, no use otro aparato de alto voltaje en el mismo circuito junto con su procesador de alimentos.

Partes y Características

Antes de usar por primera vez: Desempaque el procesador. Maneje la Cuchilla y el(los) Disco(s) cuidadosamente; están muy afilados. Lave todas las partes excepto la base en agua caliente y jabonosa. Enjuague, luego seque. Estas piezas también pueden colocarse en el estante superior de un lavavajillas.



Cuchilla Cortadora/Mezcladora

Use para cortar trozos gruesos, picar, amasar, mezclar o hacer pure el alimento.



Disco para Rebanar/ Deshebrar Reversible

Use para deshebrar de queso o para rebanar o deshebrar una variedad de alimentos (tales como papas, peperoni, zanahorias o apio).

ACCESORIOS OPCIONALES

Disco para Papas a la Francesa
Disco para Corte Plisado/Deshebrado Fino

Para ordenar:

1.800.851.8900 (EUA)

hamiltonbeach.com

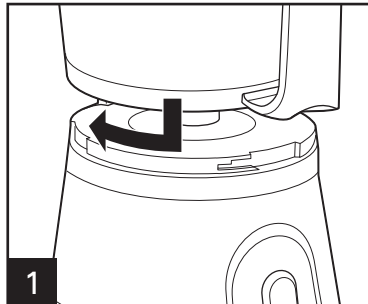
01.800.71.16.100 (México)

hamiltonbeach.com.mx

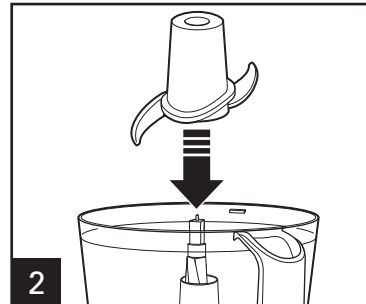
Cómo Usar la Cuchilla Cortadora/Mezcladora

⚠ADVERTENCIA Peligro de Laceración.
Maneje la cuchilla cuidadosamente; está muy afilada.

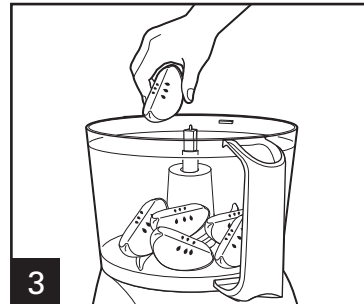
Asegúrese que el interruptor de control está en APAGADO y la unidad esté desconectada. **NOTA:** Use sólo con una cuchilla o disco a la vez.



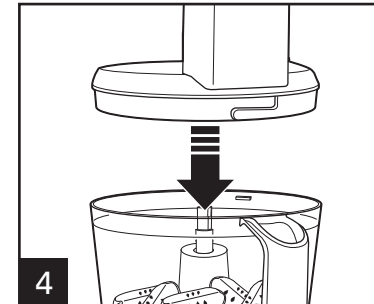
1 Alinee el tazón y la base. Gire el tazón en el sentido de las manecillas del reloj para ajustarlo en su lugar. **NOTA:** La unidad no funcionará a menos que el tazón esté ajustado.



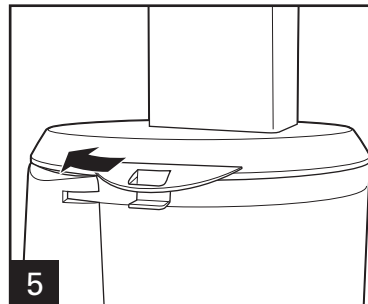
2 Coloque cuidadosamente la cuchilla en el eje del motor.



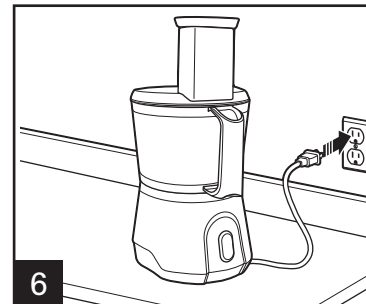
3



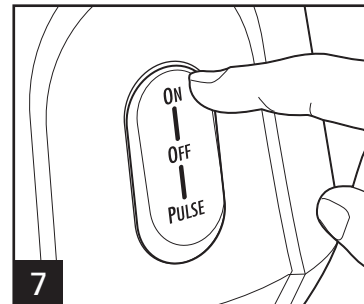
4 Alinee la tapa y el tazón.



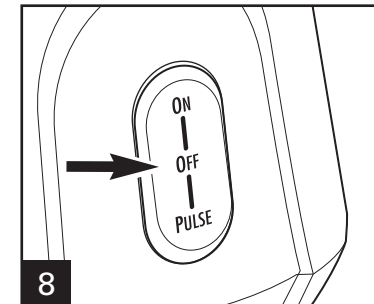
5 Gire la tapa en el sentido de las manecillas del reloj para ajustarla en su lugar. **NOTA:** La unidad no funcionará a menos que la tapa esté ajustada.



6 Coloque el empujador de alimento en el ducto de alimento. **Siempre use el empujador de alimento para ingresar alimento en el ducto. NUNCA EMPUJE EL ALIMENTO POR EL DUCTO USANDO LAS MANOS.**

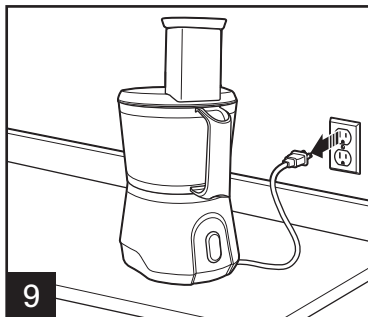


7 Seleccione ENCENDIDO (**ON**) o PULSO (**PULSE**) en el interruptor de control. **ON** : El procesador funcionará continuamente. **PULSE** : Para un control de encendido y apagado al instante.

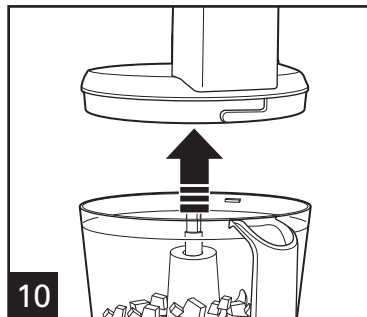


8 Cuando termine, apague y desconecte.

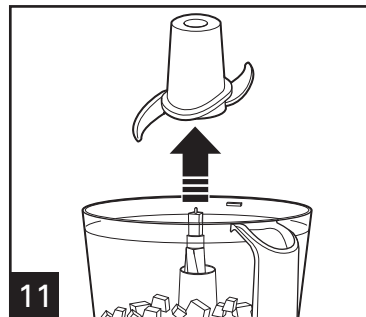
Cómo Usar la Cuchilla Cortadora/Mezcladora (cont.)



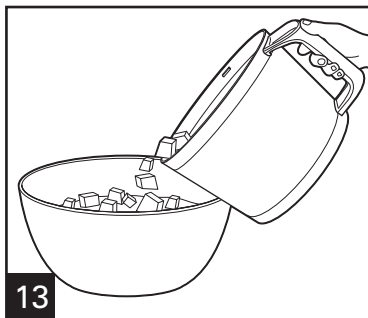
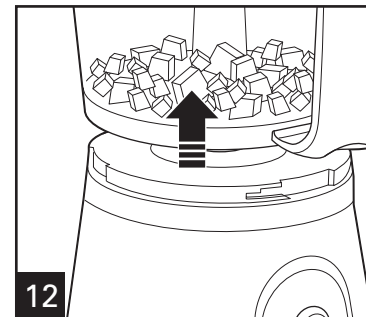
¡ADVERTENCIA! Peligro de Laceración: Siempre espere hasta que la cuchilla se detenga antes de remover la tapa.



Siempre remueva la tapa antes de remover el tazón para evitar posibles daños al aparato.



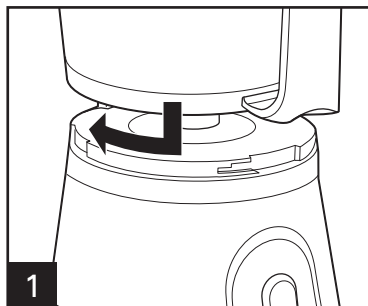
Remueva cuidadosamente la cuchilla del eje del motor.



Cómo Usar el Disco para Rebanar/Deshebrar

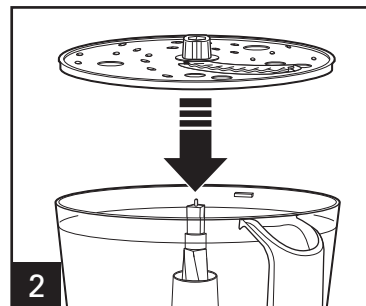
ADVERTENCIA Peligro de Laceración.
Maneje la cuchilla cuidadosamente; está muy afilada.

Asegúrese que el interruptor de control está en APAGADO y la unidad esté desconectada. **NOTA:** Use sólo con una cuchilla o disco a la vez.

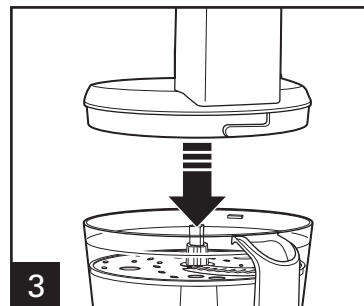


1 Alinee el tazón y la base. Gire el tazón en el sentido de las manecillas del reloj para ajustar en su lugar.

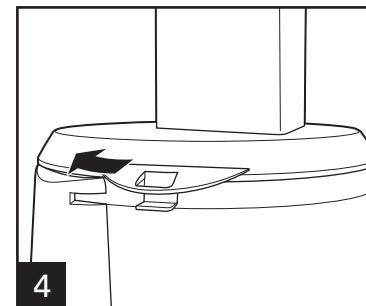
NOTA: La unidad no funcionará a menos que el tazón esté ajustado.



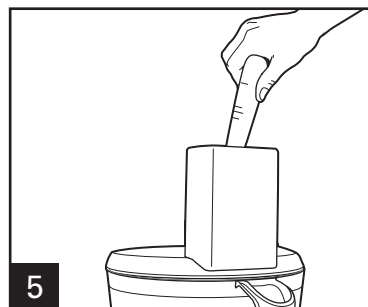
2 Coloque cuidadosamente el disco en el eje del motor con el lado deseado (está marcado Rebanar o Deshebrado en cada lado de la cuchilla) viendo hacia ARRIBA.



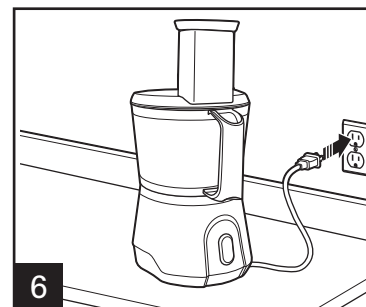
3 Alinee la tapa y el tazón.



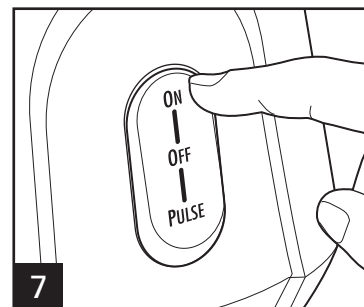
4 Gire la tapa en el sentido de las manecillas del reloj para ajustar en su lugar. **NOTA:** La unidad no funcionará a menos que la tapa esté ajustada.



5 Corte el alimento para que quepa en el ducto de alimentos. Llene el ducto con alimento.



6

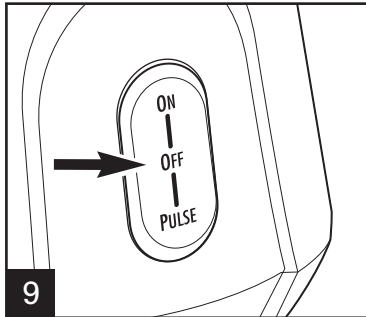


7 Seleccione ENCENDIDO (ON) o PULSO (PULSE) en el interruptor de control. ON : El procesador funcionará continuamente. PULSE : Para un control de encendido y apagado al instante.

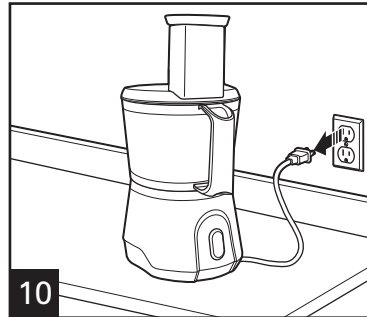


8 Siempre use el empujador de alimento para ingresar alimento en el ducto. **NUNCA EMPUJE EL ALIMENTO POR EL DUCTO USANDO LAS MANOS.**

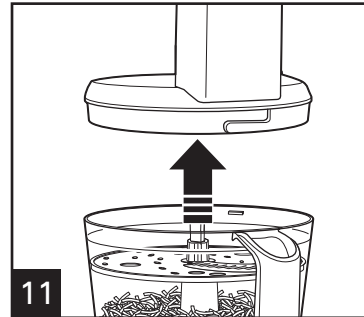
Cómo Usar el Disco para Rebanar/Deshebrar (cont.)



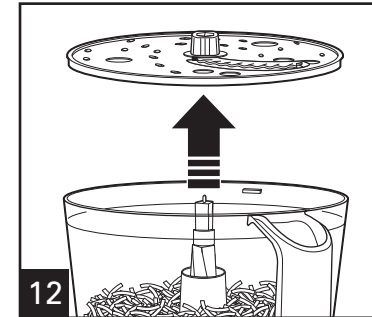
9 Cuando termine, apague y desconecte.



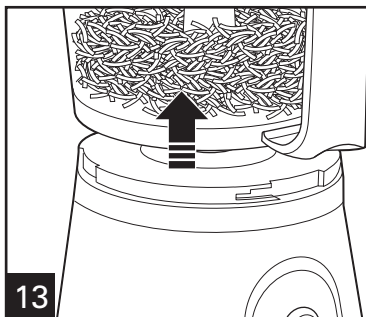
10 **¡ADVERTENCIA!** Peligro de Laceración: Siempre espere hasta que la cuchilla se detenga antes de remover la tapa.



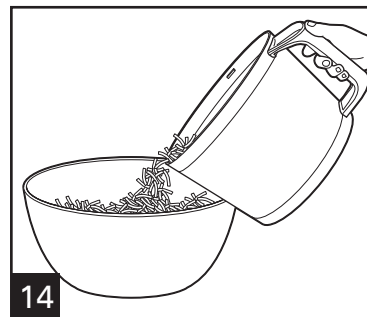
11 Siempre remueva la tapa antes de remover el tazón para evitar posibles daños al aparato.



12 Remueva cuidadosamente la cuchilla del eje del motor.



13



14

Consejos y Técnicas

- Para una consistencia más uniforme, comience con pedazos de alimento que sean similares en tamaño. Corte el alimento en pedazos de 1 pulgada (2.5 cm) antes de procesar con la cuchilla de cortado/mezclado y deje espacio en el tazón para que se mueva el alimento.
- Este procesador de alimentos es excelente para cortar, mezclar, rebanar o deshebrar la mayoría de los alimentos. Sin embargo, para mantener un desempeño máximo, no use su procesador de alimentos para lo siguiente: moler granos, granos de café o especias; rebanar carne congelada; o triturar hielo.
- Cuando corte alimentos, empujando poco a poco producirá mejores resultados.
- El tiempo de funcionamiento dependerá de la cantidad de alimento a ser procesada. La mayoría de los alimentos pueden ser rebanados, cortados o deshebrados en segundos. Si la unidad es usada por 2 minutos continuamente, deje que el procesador descanse por unos 4 minutos antes de continuar.
- No haga puré o masa vegetales almidonados como papas ya que pueden ser fácilmente sobre-procesadas y se volverán gomosas.
- Para rebanar o deshebrar queso, seleccione quesos firmes como Cheddar, Monterey Jack o Suizo. Para mejores resultados, procese el queso que esté bien refrigerado.
- El Disco para Rebanar/Deshebrar Reversible tiene una cuchilla rebanadora en un lado y dientes para deshebrar en el otr. El nombre grabado en la cuchilla, viendo hacia arriba, es la función seleccionada. Colóquelo en el eje del motor con el borde de corte deseado viendo hacia arriba.
- Para preparar vegetales tipo juliana, rebane y luego remueva del tazón. Vuelva a colocar las verduras. Empaque en ducto de alimento con las rebanadas en vertical. Rebane de nuevo para hacer vegetales de corte tipo cerillo.

Tablas de Procesamiento

Los aditamentos de disco son reversibles y marcados. Esta marca debe ver hacia arriba para la función deseada. Cuando use aditamentos de disco, no procese más allá del NIVEL MAX. en el Tazón.

ADITAMENTO	ALIMENTOS
Cuchilla Cortadora/Mezcladora	Cortar: Nueces, carne, ajo, cebollas, pimientos, apio, hierbas, pan (para migajas), galletas Picar/Puré: Verduras, frutas Mezclar: Aderezos de ensalada Puré: Sopas, salsas Rallar: Queso como el parmesano (refrigerado)
Disco Rebanador (lado de rebanado viendo hacia ARRIBA)	Pepinos, manzanas, champiñones, zanahorias, papas, repollo, tomates, peperoni, pimientos, rábanos, quesos duros (refrigerados)
Disco para Deshebrar (lado de deshebrar viendo hacia ARRIBA)	Repollo, papas, zanahorias, queso (refrigerado)

Para mejores resultados no exceda las cantidades siguientes cuando corte, pique, o haga puré con la Cuchilla Cortadora/Mezcladora.

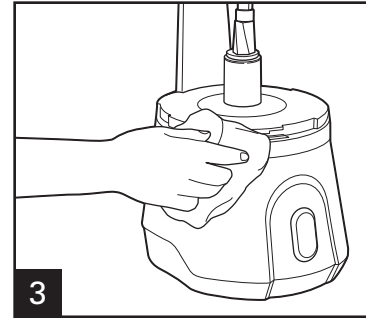
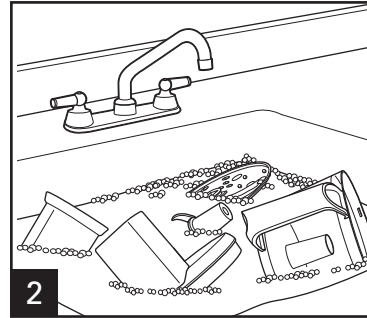
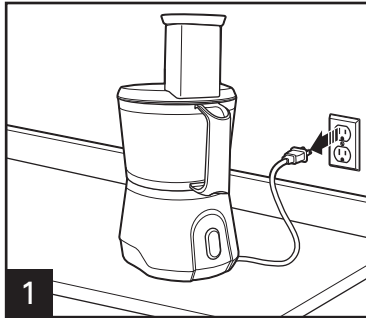
ALIMENTO	CANTIDADES MÁXIMAS
Frutas y Vegetales	2 a 3 tazas (500 ml a 750 ml) (corte en cubos de 1" [2.5 cm])
Carnes	1 libra (450 g) (corte en cubos de 1" [2.5 cm])
Parmesano o Romano	5 onzas (140 g)(corte en cubos de 1" [2.5 cm])
Cheddar, Monterey Jack, Mozzarella	8 onzas (226 g)(corte en cubos de 1" [2.5 cm])
Galletas	10 tazas (2.3 L)(puede llenar el tazón y tapa hasta el ducto)

Limpieza y Cuidado

⚠ADVERTENCIA

Peligro de Descarga Eléctrica.

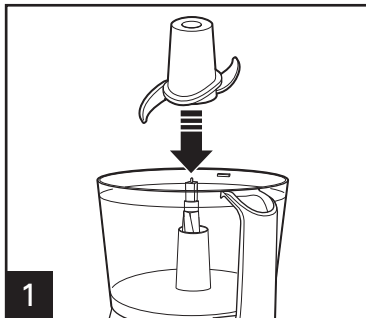
Desconecte la energía antes de limpiar. No sumerja el cable, enchufe o base en ningún líquido.



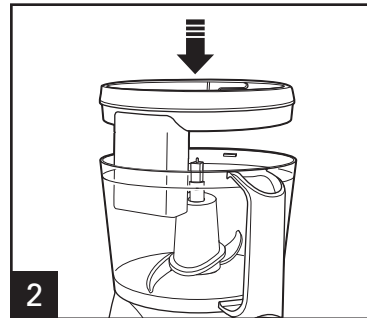
SEGURIDAD DEL LAVAVAJILLAS

Limpie la base, interruptor de control, y cable con un trapo o esponja húmeda. Para remover las manchas tercas, use un limpiador suave no abrasivo.

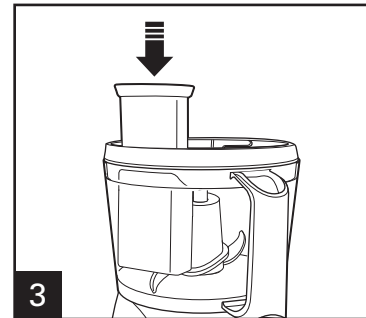
Almacenaje Ahorrador de Espacio



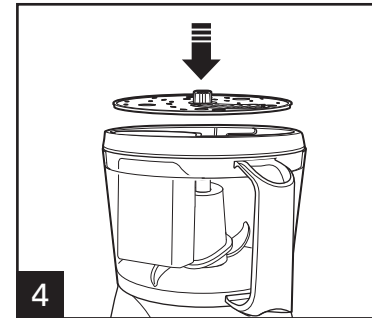
Coloque la cuchilla de corte/mezclado en el eje del motor.



Gire la tapa con la parte de arriba hacia abajo y coloque en el tazón.



Coloque el empujador de alimento en el ducto de alimento.



Deslice el disco para rebanar/deshebrar en el eje del motor. **¡PRECAUCIÓN!** Peligro de Laceración. Almacene el disco de rebanado/deshebrado con el lado de rebanado hacia abajo. Manéjelo con cuidado.

DetECCIÓN DE PROBLEMAS

PROBLEMA POTENCIAL

PROBABLE CAUSA

La unidad no funciona a ninguna velocidad o Pulso.

- ¿Está conectada la unidad? ¿Funciona la toma?
- ¿Están el tazón y la tapa asegurados en su lugar? Vea las secciones de Cómo Usar.

El alimento no es rebanado o deshebrado uniformemente.

- El empaquetar mucho alimento en el ducto de alimentos o empujar demasiado duro con el empujador de alimentos puede causar que el alimento procesado sea rebanado o deshebrado irregularmente. Consulte las tablas de procesamiento de alimento por tamaños y cantidades recomendadas.

La unidad se detiene y no se vuelve a encender.

- ¿Están el tazón y la tapa asegurados en su lugar? Se pueden haber movido un poco durante el procesamiento. Vea la sección de Cómo Usar.
- ¿Está aún funcionando la toma? Revísela conectando una lámpara u otro aparato que funcione. Puede que haya sobrecargado el circuito y volado un fusible o botado el interruptor de circuito.
- APAGUE la unidad, déjela descansar por 3 a 4 minutos, luego vuelva a ENCENDERLA. Si ninguna de estas sugerencias corrigen el problema, NO intente reparar la unidad. Llame al número de Servicio al Cliente para obtener el nombre de su Centro de Servicio Autorizado más cercano.

La unidad huele a quemado.

- Puede haber un residuo del proceso de fabricación aún en el motor, causando un ligero olor durante el uso inicial. Esto desaparecerá. Si aparece un fuerte olor o un humo visible, desconecte la unidad INMEDIATAMENTE y llame al número de Servicio al Cliente.

El motor parece débil.

- ¿Está usando el tamaño y cantidad de alimento recomendado a ser procesado? Consulte las Tablas de Procesamiento para tamaños de alimento y velocidades recomendados.

Hamilton Beach®

Grupo HB PS, S.A. de C.V.
 Monte Elbruz No. 124 Int. 601
 Col. Palmitas Polanco
 México, D.F. C.P. 11560
 01-800-71-16-100

PÓLIZA DE GARANTÍA

PRODUCTO:	MARCA:	MODELO:
<p>Grupo HB PS, S.A. de C.V. cuenta con una Red de Centros de Servicio Autorizada, por favor consulte en la lista anexa el nombre y dirección de los establecimientos en la República Mexicana en donde usted podrá hacer efectiva la garantía, obtener partes, componentes, consumibles y accesorios; así como también obtener servicio para productos fuera de garantía. Para mayor información llame sin costo: Centro de Atención al consumidor: 01 800 71 16 100</p>		
<p>Grupo HB PS, S.A. de C.V. le otorga a partir de la fecha de compra: GARANTÍA DE 1 AÑO.</p>		
COBERTURA		
<ul style="list-style-type: none"> • Esta garantía ampara, todas las piezas y componentes del producto que resulten con defecto de fabricación incluyendo la mano de obra. • Grupo HB PS, S.A. de C.V. se obliga a reemplazar, reparar o reponer, cualquier pieza o componente defectuoso; proporcionar la mano de obra necesaria para su diagnóstico y reparación, todo lo anterior sin costo adicional para el consumidor. • Esta garantía incluye los gastos de transportación del producto que deriven de su cumplimiento dentro de su red de servicio. 		
LIMITACIONES		
<ul style="list-style-type: none"> • Esta garantía no ampara el reemplazo de piezas deterioradas por uso o por desgaste normal, como son: cuchillas, vasos, jarras, filtros, etc. • Grupo HB PS, S.A. de C.V. no se hace responsable por los accidentes producidos a consecuencia de una instalación eléctrica defectuosa, ausencia de toma de tierra, clavija de enchufe en mal estado, etc. 		
EXCEPCIONES		
<p>Esta garantía no será efectiva en los siguientes casos:</p> <ol style="list-style-type: none"> a) Cuando el producto se hubiese utilizado en condiciones distintas a las normales. (Uso industrial, semi-industrial o comercial.) b) Cuando el producto no hubiese sido operado de acuerdo con el instructivo de uso. c) Cuando el producto hubiese sido alterado o reparado por personas no autorizadas por Grupo HB PS, S.A. de C.V. el fabricante nacional, importador o comercializador responsable respectivo. <p>El consumidor puede solicitar que se haga efectiva la garantía ante la propia casa comercial donde adquirió su producto, siempre y cuando Grupo HB PS, S.A. de C.V. no cuente con talleres de servicio.</p>		

PROCEDIMIENTO PARA HACER EFECTIVA LA GARANTÍA

- Para hacer efectiva la garantía no deben exigirse mayores requisitos que la presentación del producto y la póliza correspondiente, debidamente sellada por el establecimiento que lo vendió.
- Para hacer efectiva la garantía, lleve su aparato al Centro de Servicio Autorizado más cercano a su domicilio (consulte la lista anexa).
- Si no existe Centro de Servicio Autorizado en su localidad llame a nuestro Centro de Atención al Consumidor para recibir instrucciones de como hacer efectiva su garantía.
- El tiempo de reparación, en ningún caso será mayor de 30 días naturales contados a partir de la fecha de recepción del producto en nuestros Centros de Servicio Autorizados.
- En caso de que el producto haya sido reparado o sometido a mantenimiento y el mismo presente deficiencias imputables al autor de la reparación o del mantenimiento dentro de los treinta días naturales posteriores a la entrega del producto al consumidor, éste tendrá derecho a que sea reparado o mantenido de nuevo sin costo alguno. Si el plazo de la garantía es superior a los treinta días naturales, se estará a dicho plazo.
- El tiempo que duren las reparaciones efectuadas al amparo de la garantía no es computable dentro del plazo de la misma. Cuando el bien haya sido reparado se iniciará la garantía respecto de las piezas repuestas y continuará con relación al resto. En el caso de reposición del bien deberá renovarse el plazo de la garantía.

DÍA__ MES__ AÑO__

Si desea hacer comentarios o sugerencias con respecto a nuestro servicio o tiene alguna queja derivada de la atención recibida en alguno de nuestros Centros de Servicio Autorizados, por favor dirigirse a:

GERENCIA INTERNACIONAL DE SERVICIO

01 800 71 16 100

Email: mexico.service@hamiltonbeach.com.mx

RED DE CENTROS DE SERVICIO AUTORIZADA GRUPO HB PS, S.A. DE C.V.**Distrito Federal****ELECTRODOMÉSTICOS**

Av. Plutarco Elias Cailles No. 1499

Zacahuitzco MEXICO 09490 D.F.

Tel: 01 55 5235 2323 • Fax: 01 55 5243 1397

CASA GARCIA

Av. Patriotismo No. 875-B

Mixcoac MEXICO 03910 D.F.

Tel: 01 55 5563 8723 • Fax: 01 55 5615 1856

Nuevo Leon**FERNANDO SEPULVEDA REFACCIONES**

Ruperto Martínez No. 238 Ote.

Centro MONTERREY, 64000 N.L.

Tel: 01 81 8343 6700 • Fax: 01 81 8344 0486

Jalisco**SERVICIOS DE MANTENIMIENTO CASTILLO**

Garibaldi No. 1450

Ladrón de Guevara

GUADALAJARA 44660 Jal.

Tel: 01 33 3825 3480 • Fax: 01 33 3826 1914

Chihuahua**DISTRIBUIDORA TURMIX**

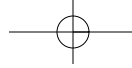
Av. Paseo Triunfo de la Rep. No. 5289 Local 2 A.

Int. Hipermart

Alamos de San Lorenzo

CD. JUAREZ 32340 Chih.

Tel: 01 656 617 8030 • Fax: 01 656 617 8030

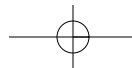
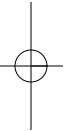
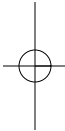


Modelos:
70750, 70760

Tipo:
FP19

Características Eléctricas:
120 V~ 60 Hz 500W

Los números de modelo también pueden estar seguidos del sufijo "MX".



Free Manuals Download Website

<http://myh66.com>

<http://usermanuals.us>

<http://www.somanuals.com>

<http://www.4manuals.cc>

<http://www.manual-lib.com>

<http://www.404manual.com>

<http://www.luxmanual.com>

<http://aubethermostatmanual.com>

Golf course search by state

<http://golfingnear.com>

Email search by domain

<http://emailbydomain.com>

Auto manuals search

<http://auto.somanuals.com>

TV manuals search

<http://tv.somanuals.com>