



RV GENERATORS - QUIETPACT

QP-40

Air-Cooled Gasoline & LP RV Generator Sets

APPLICATIONS:

- Class B & C Motorhomes with a single roof A/C
- Travel Trailers
- Sport Utility Trailers
- Fifth Wheels
- Horse Trailers

Model 04709 - 3.6 kW 60Hz, Gas

Model 04701 - 3.4 kW 60Hz, LP



FEATURES

- **INNOVATIVE DESIGN & PROTOTYPE TESTING** are key components of GENERAC'S success in "IMPROVING POWER BY DESIGN." But it doesn't stop there. Total commitment to component testing, reliability testing, environmental testing, destruction and life testing, plus testing to applicable CSA, RVIA, and other standards, allows you to choose GENERAC POWER SYSTEMS with the confidence that these systems will provide superior performance.
- **FULL PRESSURE LUBRICATION:** Superior lubrication to all vital bearings means better performance, less maintenance, and significantly longer engine life.
- **SINGLE SOURCE SERVICE RESPONSE** from Generac's dealer network provides parts and service know-how for the entire unit, from the engine to the smallest electronic component. You are never on your own when you own a GENERAC POWER SYSTEM.
- **SOLID-STATE, FREQUENCY COMPENSATED VOLTAGE REGULATION.** This state-of-the-art power maximizing regulation system is standard on all Generac models. It provides optimized FAST RESPONSE to changing load conditions and MAXIMUM MOTOR STARTING CAPABILITY by electronically torque-matching the surge loads to the engine.
- **SUPERIOR FUEL ECONOMY:** Optimized engine performance resulting in the best fuel economy in it's class.
- **SINGLE SIDE SERVICEABILITY:** Easy access to all maintenance items including the automotive style spin-on oil filter.



ENGINE	<ul style="list-style-type: none"> •Generac (OHVI) Design •"Spiny-lok" cast iron cylinder walls •Solid-state ignition •Automatic, electronic choke •Full pressure lubrication system •Low oil pressure shutdown system •High temperature shutdown •Certifications •Evaporative port available 	<p>Maximizes engine "breathing" for increased fuel efficiency. Plateau honed cylinder walls and plasma moly rings help engine run cooler, reducing oil consumption. Because heat is the primary cause of engine wear, the OHVI has a significantly longer life than competitive engines.</p> <p>Rigid construction and added durability provide long engine life.</p> <p>Provides reliable starting every time.</p> <p>Automatically assures quick and reliable starting everytime.</p> <p>Superior lubrication to all vital bearings means better performance, less maintenance and significantly longer engine life.</p> <p>Superior shutdown protection prevents catastrophic engine damage due to low oil.</p> <p>Prevents damage due to overheating.</p> <p>RVIA, CARB, EPA, U.S. Forest Service</p> <p>CARB compliant in trailer applications.</p>		
	GENERATOR	<ul style="list-style-type: none"> •Displaced phase excitation •Automatic voltage regulation •RVIA Listed 	<p>Maximizes motor starting capability.</p> <p>Regulates the output voltage to $\pm 2\%$ prevents damaging voltage spikes.</p> <p>For your safety</p>	
		CONTROLS	<ul style="list-style-type: none"> •Remote Start/Stop option •Battery charger •Main Line Circuit Breaker •Mechanical governor 	<p>Allows for remote starting from any selected location inside the vehicle.</p> <p>2 Amp "trickle charger" maintains battery when generator is in use.</p> <p>Protects generator from overload.</p> <p>Reacts quickly to changing loads.</p>
			UNIT	<ul style="list-style-type: none"> •Durable, Rhino-coated enclosure •Enclosed critical grade muffler •Spark arrested exhaust •Small, compact, attractive •Enhanced serviceability •Application specific mounting trays available

SPECIFICATIONS



GENERATOR	Model 4709	Model 4701
Rated Maximum Continuous Power Capacity	3600 Watts	3400 Watts
Rated Voltage	120	120
Rated Maximum Continuous Load Current 120 Volts	30 Amps	28.3 Amps
240 Volt Configurable	No	No
Main Line Circuit Breakers	30 Amp	30 Amp
Phase	1	1
Number of Rotor Poles	2	2
Rated AC Frequency	60Hz	60Hz
Power Factor	1	1
Engine RPM	3600	3600
Rotor RPM	3600	3600
Unit Weight	170 Pounds	170 Pounds
Dimensions (L" x W" x H")	29.5 x 19 x 13.5	29.5 x 19 x 13.5
ENGINE	Model 4709	Model 4701
Type of Engine	GENERAC OHVI	GENERAC OHVI
Number of Cylinders	1	1
Rated Horsepower	7.8	7.8
Displacement	220cc	220cc
Cylinder Block	Aluminum w/Cast Iron Sleeve	Aluminum w/Cast Iron Sleeve
Valve Arrangement	Overhead Valve	Overhead Valve
Ignition System	Solid-state w/Magneto	Solid-state w/Magneto
Governor System	Mechanical Fixed Speed	Mechanical Fixed Speed
Compression Ratio	8.5:1	8.5:1
Starter	12 Vdc	12 Vdc
Oil Capacity Including Filter	Approx. 1.5 Qts.	Approx. 1.5 Qts.
Fuel Consumption		
Gallons per hour	Gasoline	LPG
10% Load	0.24	0.32
50% Load	0.35	0.55
100% Load	0.55	0.73

Service After the Sale

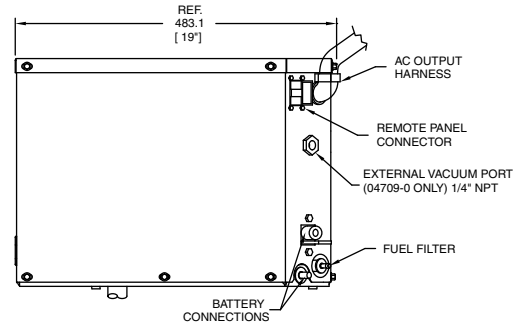
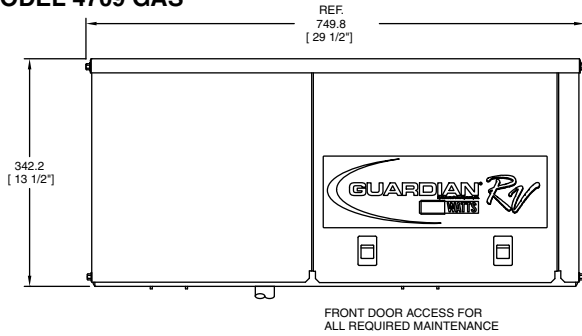
Generac's certified service organization, the largest in the industry, provides unsurpassed installation, reliable ongoing maintenance, and large inventories of parts, components, and accessories.

For RV product support please call 888-GENERAC or visit our dealer locator at www.guardiangenerators.com.

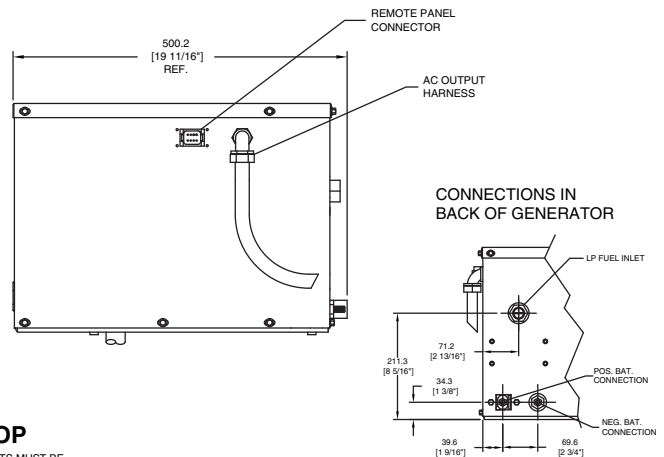
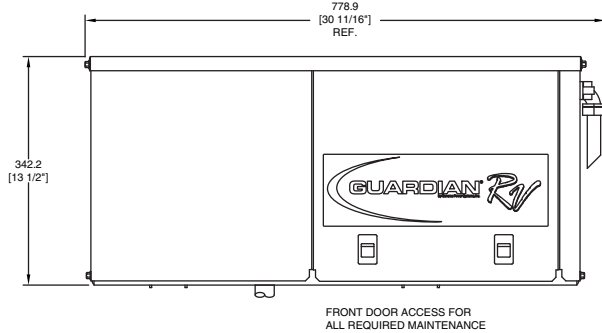
Owner's manuals (including installation, operation, maintenance and support information) are shipped with every Guardian RV generator. Additional copies can be downloaded from www.guardiangenerators.com.

Guardian RV Generator - QP-40

MODEL 4709 GAS



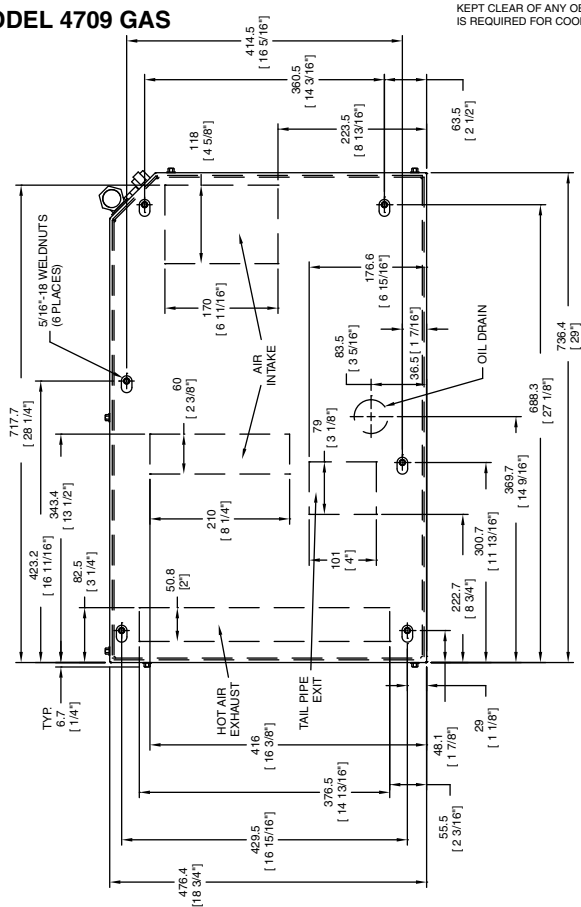
MODEL 4701 LPG



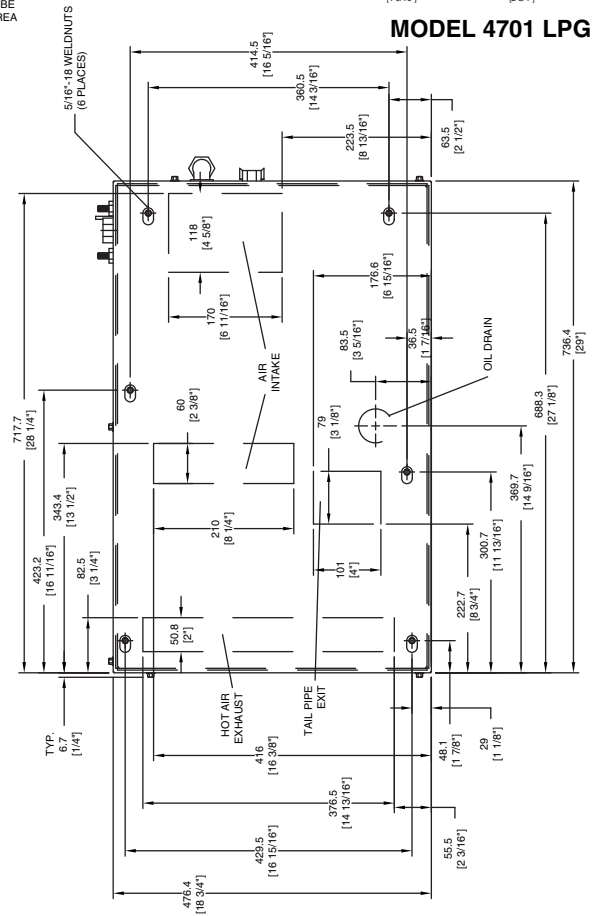
VIEW FROM TOP

NOTE: ALL AIR INTAKES AND EXHAUST OUTLETS MUST BE KEPT CLEAR OF ANY OBSTRUCTIONS. ALL OPEN AREA IS REQUIRED FOR COOLING.

MODEL 4709 GAS



MODEL 4701 LPG



Generac Power Systems, Inc. • P.O. Box 297, Whitewater, WI 53190 • guardiangenerators.com

©2008 Generac Power Systems, Inc. All rights reserved. All specifications are subject to change without notice. Bulletin 0179030SBY/Printed in U.S.A. 08.08

Free Manuals Download Website

<http://myh66.com>

<http://usermanuals.us>

<http://www.somanuals.com>

<http://www.4manuals.cc>

<http://www.manual-lib.com>

<http://www.404manual.com>

<http://www.luxmanual.com>

<http://aubethermostatmanual.com>

Golf course search by state

<http://golfingnear.com>

Email search by domain

<http://emailbydomain.com>

Auto manuals search

<http://auto.somanuals.com>

TV manuals search

<http://tv.somanuals.com>