



MODEL H8027 Heavy-Duty Bar Clamp Heads INSTRUCTION SHEET

To assemble:

1. Select a dry, straight wooden board of the dimensions shown in **Figure 1**.
2. Drill as many $\frac{7}{16}$ in. holes as desired along the length of the board, at least 3 in. apart and $\frac{3}{4}$ in. on center from the top of the board (see **Figure 2**).

Note: Make sure holes are at least 3 in. from the ends of the board so that the board will not split when stressed.

3. Using the hex bolts and nuts provided, mount the two bar clamp heads (see **Figure 3**).

If you need help with your new bar clamp heads, call our Tech Support at: (570) 546-9663.

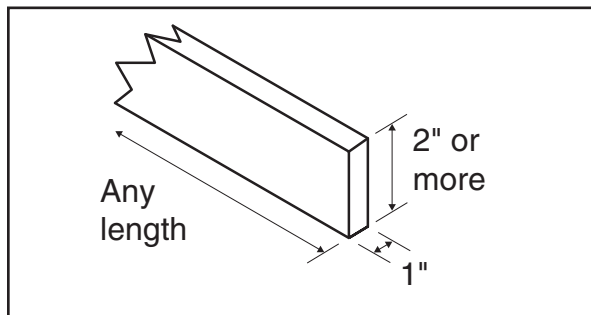


Figure 1. Wood dimensions.

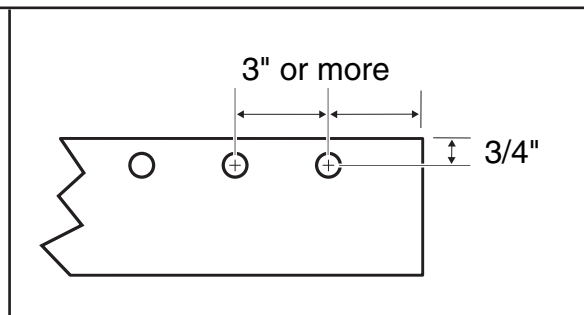


Figure 2. Drilled hole dimensions.

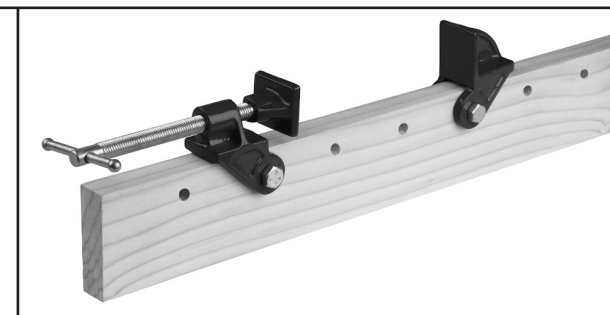


Figure 3. Bar clamp heads mounted.

COPYRIGHT © AUGUST, 2006 BY GRIZZLY INDUSTRIAL, INC.
**WARNING: NO PORTION OF THIS MANUAL MAY BE REPRODUCED IN ANY SHAPE
OR FORM WITHOUT THE WRITTEN APPROVAL OF GRIZZLY INDUSTRIAL, INC.**
#TS8466 PRINTED IN CHINA

Free Manuals Download Website

<http://myh66.com>

<http://usermanuals.us>

<http://www.somanuals.com>

<http://www.4manuals.cc>

<http://www.manual-lib.com>

<http://www.404manual.com>

<http://www.luxmanual.com>

<http://aubethermostatmanual.com>

Golf course search by state

<http://golfingnear.com>

Email search by domain

<http://emailbydomain.com>

Auto manuals search

<http://auto.somanuals.com>

TV manuals search

<http://tv.somanuals.com>