



# MODEL H6440/H6441 HALOGEN LAMP INSTRUCTIONS

## ⚠ WARNING

1. Only connect this lamp to a properly grounded 110V power source.
2. Halogen lamps can become very hot. Securely mount this lamp to a stable surface that is safely away from combustible materials of any kind. Never place combustible materials, such as cloth or paper items, volatile liquids, or explosive gases, etc., near the lamp at any time.
3. DO NOT replace the halogen bulb with a wattage higher than what this lamp is rated for.
4. To avoid electrical fires or electrocution, DO NOT allow any liquid to come in contact with the lamp.
5. To avoid burns or electrocution, turn the lamp OFF, unplug it from the power source, and allow it to cool before making adjustments or performing maintenance.
6. Children or pets are unaware of the hazards of a hot halogen lamp. DO NOT allow children or pets near the lamp.
7. To avoid burns or a fire, never handle the hot lamp or discard a hot halogen bulb.
8. For safe operation, never operate this lamp with missing or broken parts.

## Specifications

Power Requirements .....	Grounded 110V
Transformer .....	24V
Halogen Bulb (H6440).....	70 Watt
Halogen Bulb (H6441) .....	50 Watt

## Inventory

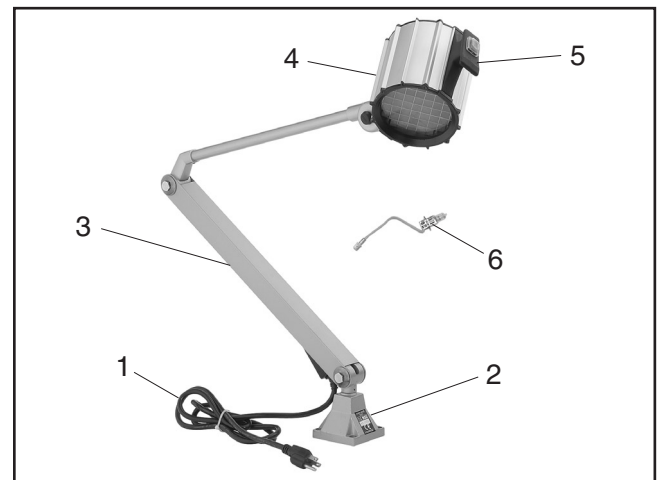


Figure 1. Inventory and identification (Model H6440 shown).

### REF PART # DESCRIPTION

#### Model H6440:

1	PH6440001	POWER CORD & TRANSFORMER ASSY
2	PH6440002	MOUNTING BASE
3	PH6440003	SUPPORTING ARM ASSEMBLY
4	PH6440004	LAMP HOUSING ASSEMBLY
5	PH6440005	SWITCH ASSEMBLY
6	H3250	HALOGEN BULB ASSY 70 WATT

#### Model H6441:

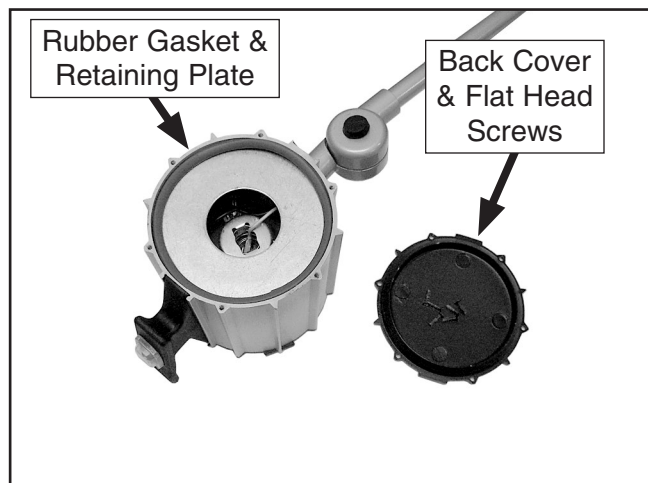
1	PH6441001	POWER CORD & TRANSFORMER ASSY
2	PH6441002	MOUNTING BASE
3	PH6441003	SUPPORTING ARM ASSEMBLY
4	PH6441004	LAMP HOUSING ASSEMBLY
5	PH6441005	SWITCH ASSEMBLY
6	H3252	HALOGEN BULB ASSY 50 WATT

COPYRIGHT © SEPTEMBER, 2008 BY GRIZZLY INDUSTRIAL, INC.  
**WARNING: NO PORTION OF THIS MANUAL MAY BE REPRODUCED IN ANY SHAPE  
 OR FORM WITHOUT THE WRITTEN APPROVAL OF GRIZZLY INDUSTRIAL, INC.**

#TS11149 PRINTED IN CHINA

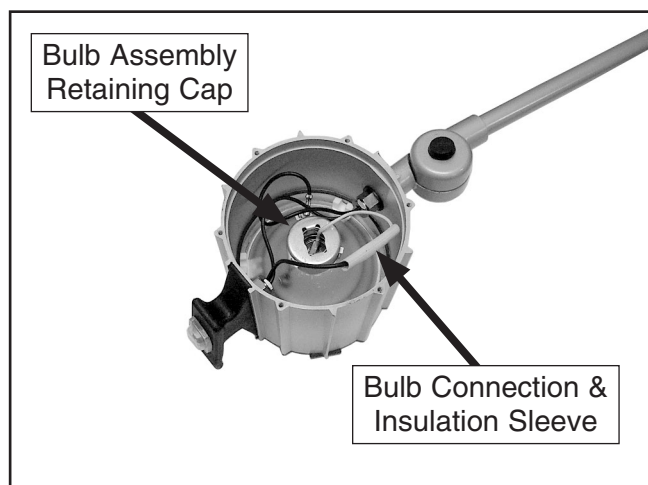
## Replacing Bulb

1. Turn the lamp **OFF**, unplug it from the power source, then allow it to cool.
2. Remove the six flat head screws from the cover plate on the *back* of the lamp housing, as shown in **Figure 2**.



**Figure 2.** Back cover plate removed from the lamp housing.

3. Carefully remove the back cover, rubber gasket, and the retaining plate from the lamp housing.
4. Identify the bulb assembly connection and retaining cap inside the lamp housing, as shown in **Figure 3**.

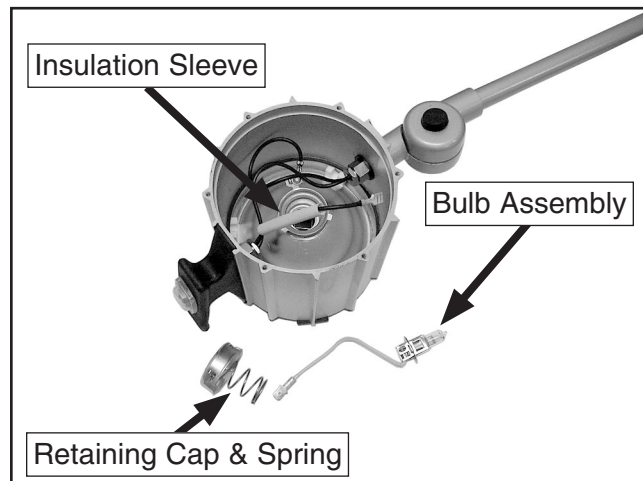


**Figure 3.** Bulb assembly connection and retaining cap.

5. To remove the retaining cap and bulb assembly from the reflective cone, push the cap down as you twist it counterclockwise.

**Note:** Notice how the compression spring is mounted on the inside flanges of the retaining cap.

6. Slide the insulation sleeve surrounding the bulb assembly connection down the wire, then carefully pull the connection apart, as shown in **Figure 4**.



**Figure 4.** Bulb assembly and retaining cap removed from the lamp housing.

7. Re-connect the new bulb assembly, slide the insulation over the connection area, then re-install the parts in the reverse order they were removed.

## **⚠️ WARNING**

Like all high intensity lamps there is potential danger when operating this lamp. Accidents are frequently caused by lack of familiarity or failure to pay attention. Use this lamp with respect and caution to decrease the risk of operator injury. If normal safety precautions are overlooked or ignored, serious personal injury may occur.

If you need help with your new halogen lamp, call our Tech Support at: (570) 546-9663.



## Free Manuals Download Website

<http://myh66.com>

<http://usermanuals.us>

<http://www.somanuals.com>

<http://www.4manuals.cc>

<http://www.manual-lib.com>

<http://www.404manual.com>

<http://www.luxmanual.com>

<http://aubethermostatmanual.com>

Golf course search by state

<http://golfingnear.com>

Email search by domain

<http://emailbydomain.com>

Auto manuals search

<http://auto.somanuals.com>

TV manuals search

<http://tv.somanuals.com>