



MODEL H0614/H0615 HAND CRANK HOSE REEL INSTRUCTIONS

⚠️ WARNING

To reduce the risk of injury when using this tool:

- Make sure the incoming air pressure does not exceed the maximum rating of 300 PSI. Otherwise the fittings could crack or explode.
- Protect your eyes by wearing safety glasses or a face shield when assembling and using this hose reel.
- Pressurized air may cause injury to exposed body parts. Never expose any part of your body to pressurized air.
- Make sure the hose reel is firmly mounted to a stable surface before pressurizing.

Specifications

Max. Incoming Air Pressure 300 PSI
 Max. Hose Length on Reel for H0614..... 100 ft.
 Max. Hose Length on Reel for H0615..... 50 ft.
 Air Fitting Size 3/8" NPT

Inventory

Use the list below and **Figure 1** to inventory the contents of the shipping box.

Description	Qty
A. Hose Reel Assembly (not shown)	1
B. Swivel Connector 3/8" x 3/8" NPT.....	1
C. Handle	1
D. Handle Shaft	1
E. Lock Nut 5/16"-18.....	1
F. Flat Washer 5/16"	1

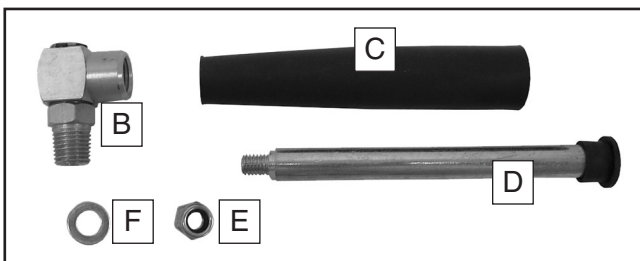


Figure 1. Model H0614/H0615 small item inventory.

Mounting

Use 3/8" hardware through the four holes of the hose reel base to firmly secure the assembly to a convenient and stable location.

Assembly

1. Insert the handle shaft through the handle, then secure the assembly to the crank with the lock nut and flat washer, as shown in **Figure 2**.

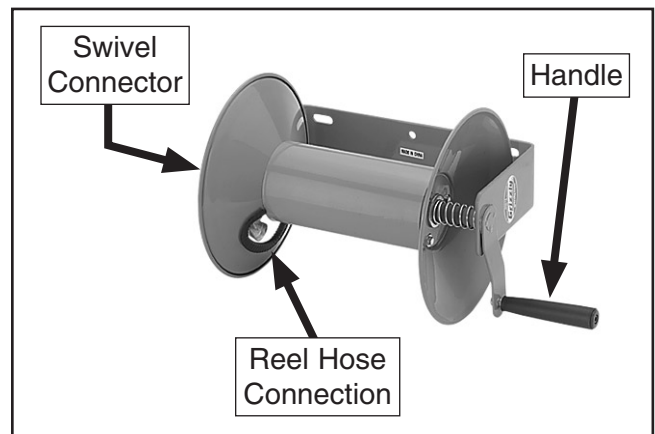


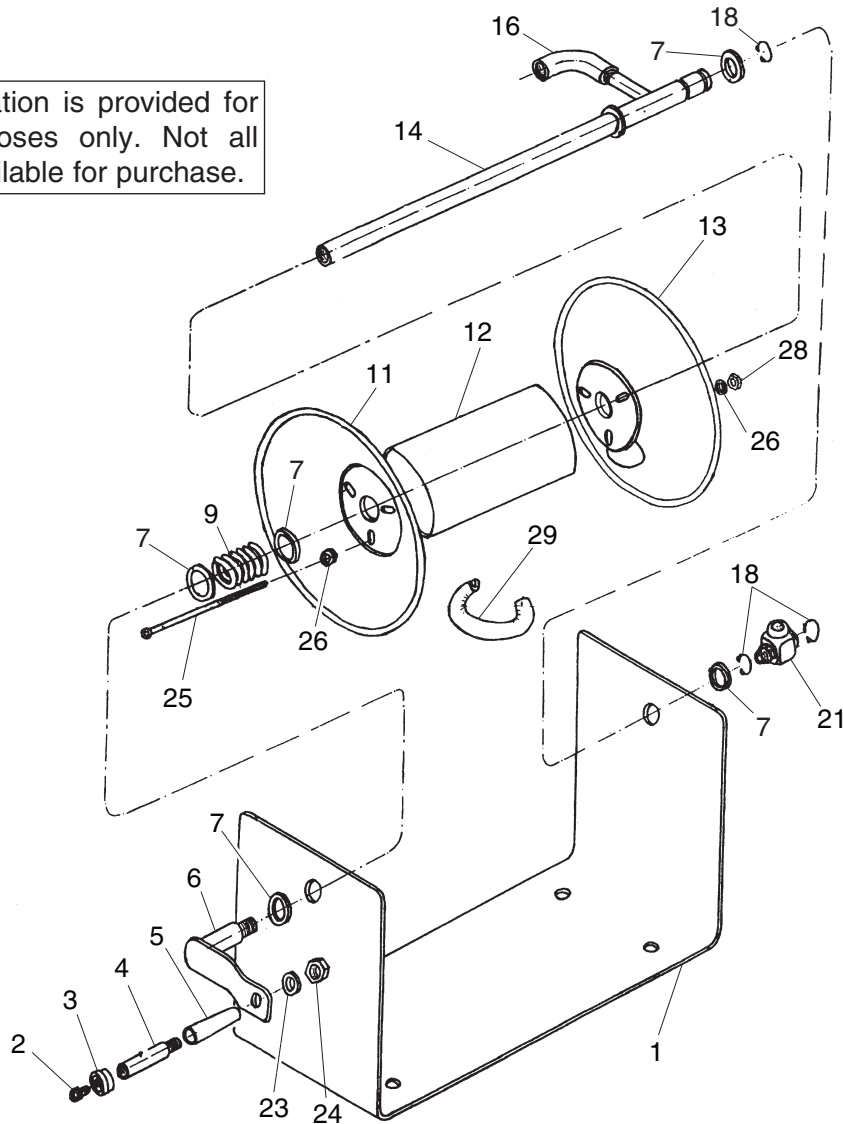
Figure 2. Assembly components (Model H0614 shown).

Note: Use Teflon pipe tape or thread sealant on all threaded connections. Also, do not overtighten the connections or you may damage the threads, resulting in leaks.

2. Install the swivel connector into the center axle on the opposite side from handle (see **Figure 2**), then connect the incoming air supply to it.
3. Connect the reel hose to the 3/8" reel hose connection shown in **Figure 2**.
4. Turn the air pressure **ON**, then use soapy water to test for leaks. If any are found, turn the air pressure **OFF**, relieve the pressure from the hose, then repair the leaks before putting the hose reel into operation.

Model H0614/H0615 Parts

Parts information is provided for service purposes only. Not all parts are available for purchase.



REF	PART #	DESCRIPTION
1	PH0614001	BASE (H0614)
1	PH0615001	BASE (H0615)
2	PH0614002	CAP SCREW
3	PH0614003	RUBBER SLEEVE
4	PH0614004	HANDLE SHAFT
5	PH0614005	HANDLE
6	PH0614006	CRANK
7	PH0614007	FLAT WASHER 22
9	PH0614009	COMPRESSION SPRING
11	PH0614011	FLANGE A
12	PH0614012	REEL TUBE (H0614)
12	PH0615012	REEL TUBE (H0615)
13	PH0614013	FLANGE B

REF	PART #	DESCRIPTION
14	PH0614014	AXLE (H0614)
14	PH0615014	AXLE (H0615)
16	PH0614016	PIPE ELBOW 3/8 NPT
18	PH0614018	EXT RETAINING RING 22
21	PH0614021	SWIVEL CONNECTER 3/8 X 3/8 NPT
23	PH0614023	FLAT WASHER 8MM
24	PH0614024	LOCK NUT M8-1.25
25	PH0614025	SPECIAL HEX BOLT (H0614)
25	PH0615025	SPECIAL HEX BOLT (H0615)
26	PH0614026	FLAT WASHER 6MM
28	PH0614028	LOCK NUT M6-1
29	PH0614029	GROMMET

If you need help with your new hose reel, call our Tech Support at: (570) 546-9663.

COPYRIGHT © JUNE, 2009 BY GRIZZLY INDUSTRIAL, INC.
WARNING: NO PORTION OF THIS MANUAL MAY BE REPRODUCED IN ANY SHAPE OR FORM WITHOUT THE WRITTEN APPROVAL OF GRIZZLY INDUSTRIAL, INC.
 #TS11887 PRINTED IN CHINA

Free Manuals Download Website

<http://myh66.com>

<http://usermanuals.us>

<http://www.somanuals.com>

<http://www.4manuals.cc>

<http://www.manual-lib.com>

<http://www.404manual.com>

<http://www.luxmanual.com>

<http://aubethermostatmanual.com>

Golf course search by state

<http://golfingnear.com>

Email search by domain

<http://emailbydomain.com>

Auto manuals search

<http://auto.somanuals.com>

TV manuals search

<http://tv.somanuals.com>