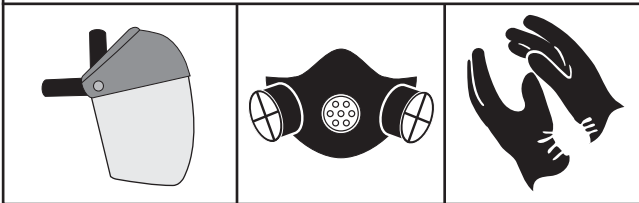




MODEL G4013 20 GALLON PARTS WASHER INSTRUCTIONS

⚠ WARNING

Damage to your eyes, lungs, and skin could result from using this item without proper protective gear, such as face shield, a respirator, and rubber gloves.



Specifications

Overall Size 30" L x 21" W x 35" H
 Tub Depth 10" Deep
 Maximum Liquid Level..... 10-Gallons or 5" Deep
 Minimum Liquid Level..... 6-Gallons or 3" Deep
 Nozzle Diameter 5.5mm
 Pump Motor 110V, 0.7 Amp, 60 Hz
 Pump Output 50 GPH
 Net Weight..... 57 lbs.

Inventory (Figure 1)

Qty

Work Basket	1
Pump Box	1
Work Shelf	1
Tub	1
Shelf	1
Legs.....	4
Bolt Bag.....	1
—Phillips Head Screws M6-1 X 12 (Legs)	25
—Hex Nuts M6-1 (Legs).....	25
—Lock Washers 6mm (Legs).....	25
—Phillips Head Screws M4-.7 X 10 (Switch Box)	2
—Hex Nuts M4-.7 (Switch Box).....	2
—Lock Washers 4mm (Switch Box).....	2

If you need help with your new item, call our Tech Support at: (570) 546-9663.

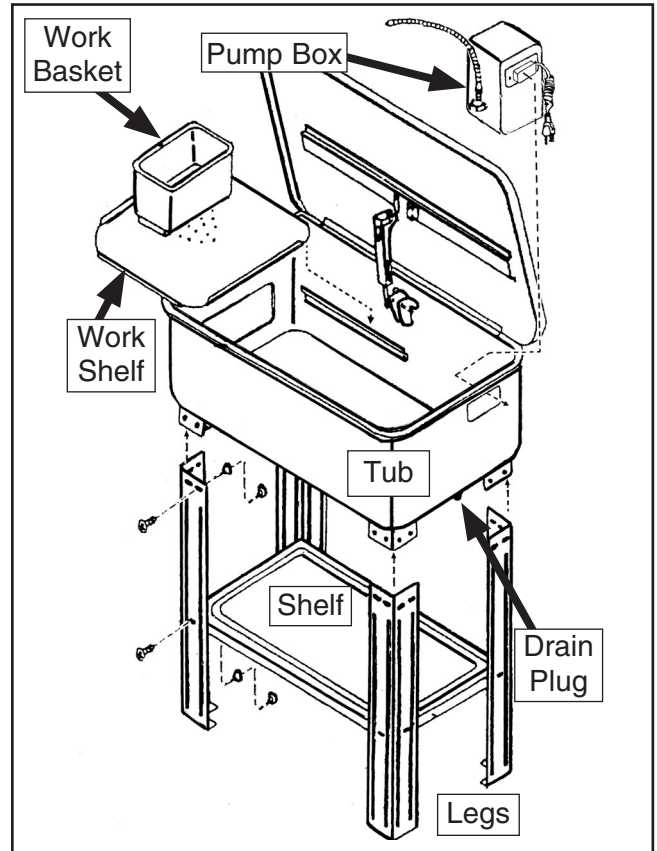


Figure 1. Assembly diagram.

Power Supply Circuit Requirements

Only connect this parts washer to a power supply circuit that is protected with a GFCI (Ground Fault Circuit Interrupt) device. **If you are unsure about the wiring codes in your area or you plan to connect your machine to a shared circuit, consult a qualified electrician.**

Power Supply Voltage 110 Volts
 Minimum Circuit Size..... 10 Amps

COPYRIGHT © AUGUST, 2009 BY GRIZZLY INDUSTRIAL, INC.

WARNING: NO PORTION OF THIS MANUAL MAY BE REPRODUCED IN ANY SHAPE OR FORM WITHOUT THE WRITTEN APPROVAL OF GRIZZLY INDUSTRIAL, INC.

#CR12088 PRINTED IN CHINA

Assembly

1. Layout the parts and use **Figure 1** to inventory them.
2. Using a #2 screwdriver and a 10mm wrench, secure the legs to the storage shelf with eight M6-1 x 12 screws, 6mm lock washers, and M6-1 hex nuts.
3. With the help of an assistant, place the tub onto the legs and secure it in place with the remaining 16 M6-1 x 12 screws, 6mm lock washers, and M6-1 hex nuts.
4. Use a 19mm wrench to install the spout and tube onto the pump outlet (**Figure 1**).
5. Using a #2 screwdriver and a 7mm wrench, loosely mount the switch box to the side of the pump box with the two M4-.7 X 10 Phillips head screws, 4mm lock washers, and M4-.7 hex nuts.
6. Hang the switch box so the tub wall lip slips under the switch box support flange as shown in **Figure 2**.

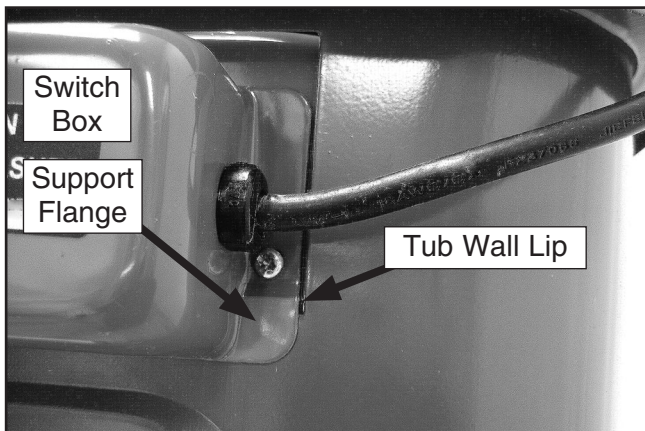


Figure 2. Pump and switch box support flange.

7. Use a #2 screwdriver and a 7mm wrench to tighten the switch box mounting screws.
8. Place the work table and parts bin into the tub.
9. Use a 13mm wrench to make sure the tank drain plug is tight, and after filling, make sure the plug does not leak.

Safety

- **SAFE STORAGE.** Keep away from children and animals. Close the lid when not using the parts washer.
- **PLUG MODIFICATION HAZARD.** To avoid electrical shock, this machine must be grounded. Never modify the included plug to connect it to a two prong receptacle or extension cord.
- **PREVENTING ELECTRICAL SHOCK.** Only connect this parts washer to a properly grounded GFCI (Ground Fault Circuit Interrupt) receptacle. Test the GFCI receptacle operation according to switch manufacturer recommended intervals.
- **PREVENTING FIRE.** Do not fill this parts washer with gasoline, kerosene, fuel, or flammable solvents. Do not disconnect or modify the lid support lever in any way. The lid lever is specially designed to automatically close in the event of a fire. Keep an appropriate class fire extinguisher close at hand.
- **SAFE USAGE.** Never smoke or use a drop light, or any other ignition source, near the parts washer. An ignition source or electrical device that falls into the cleaning solution can cause fire or electrocution.
- **PERSONAL PROTECTION.** To prevent personal toxic exposure, always wear gloves, goggles, an apron, and a respirator when using or changing the parts washer liquid. Wash your hands with soap and water after every use.
- **LOCATION.** Make sure that the parts washer is located in an area with adequate ventilation to prevent a buildup of vapors, and always keep the parts washer away from all ignition sources.
- **MAINTENANCE.** Clean or replace tank filter before it becomes clogged, and inspect for leaks. Follow OSHA, EPA, and the manufacturer's solution replacement schedules and disposal regulations.



Power Connection Device

This machine comes with a 5-15 style plug. For improved electrical safety against fire or electrical shock, only connect this power cord to a GFCI protected circuit or receptacle (**Figure 3**).

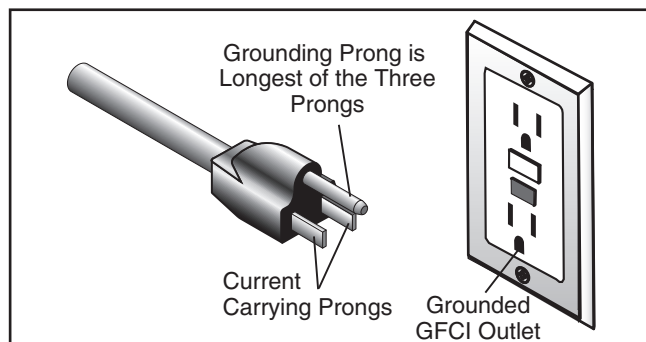


Figure 3. Typical 5-15 plug and GFCI receptacle.

Extension Cords

We do not recommend using extension cords, but if you find it absolutely necessary:

- Use at least a 16 gauge cord that does not exceed 50 feet in length!
- The extension cord must have a ground wire and plug pin.
- A qualified electrician **MUST** size cords over 50 feet long to prevent pump motor damage.

Selecting a Solvent

This heavy-duty welded steel parts washer has a 20 gallon work-space volume, but is designed to hold a maximum of 10 gallons of liquid. Do not overfill. Not every cleaning solution is safe to use in your parts washer. **NEVER USE GASOLINE, KEROSENE, FUELS, STRIPPERS, OR ACIDS OF ANY KIND IN THIS PARTS WASHER.**

We recommend non-flammable cleaning solutions with a PH between 6 and 8, but due to the changing formulas of cleaning solutions and changing laws and regulations, we cannot name a specific solution for you.

Some solutions can be highly flammable and may damage pump and motor seals, and others can react with what you may be cleaning and produce harmful fumes.

If you are in doubt about any aspect of your selected solution, contact the solution manufacturer or refer to its Materials Safety Data Sheet



(MSDS) information, which often can be found on the internet also. It is your responsibility to select a safe solution.

Never run this parts washer if the tank is empty or if the filter is clogged. If you do, pump damage will occur.

Operation

Use the switch to turn on the pump and spray fluid from the nozzle. Parts may also be dunked or soaked in the solvent and cleaned with a brush.

⚠ WARNING
**BIOLOGICAL and POISON
HAZARD!**



This parts washer is designed to store cleaning solutions. During storage, some liquids can grow dangerous microbes, or due to the collection of toxic metal and contaminants from the items being washed, the fluid can become a very poisonous solution to humans and animals.

USE the correct personal protection equipment when handling sharp workpieces to prevent cuts, infections, and poisoning.

FOLLOW OSHA, EPA, and the fluid manufacturer's requirements to properly dispose of cleaning liquids when it becomes time to change the liquid.

⚠ WARNING

USE this parts washer with caution and respect. Always consider safety first, as it applies to your individual working conditions. No list of safety guidelines can be complete—every shop environment is different. Failure to follow safety guidelines could result in serious personal injury or death.



Wiring Safety

These pages are current at the time of printing. However, in the spirit of improvement, we may make changes to the electrical systems of future machines. Study this section carefully. If there are differences between your machine and what is shown in this section, call Technical Support at (570) 546-9663 for assistance BEFORE making any changes to the wiring on your machine.

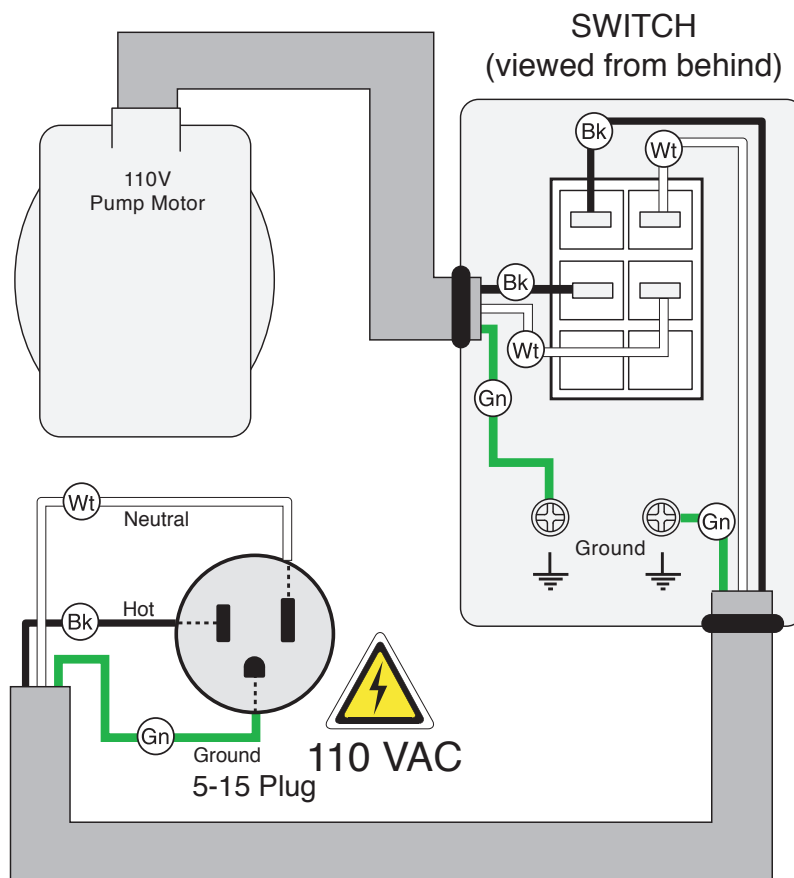
- **SHOCK HAZARD.** Working on wiring that is connected to a power source is extremely dangerous. Touching electrified parts will result in personal injury including but not limited to severe burns, electrocution, or death. Disconnect the power from the machine before servicing electrical components!
- **QUALIFIED ELECTRICIAN.** Due to the inherent hazards of electricity, only a qualified electrician should perform wiring tasks on this machine. If you are not a qualified electrician, get help from one before attempting any kind of wiring job.
- **WIRE CONNECTIONS.** All connections must be tight to prevent wires from loosening during machine operation. Double-check all wires disconnected or connected during any wiring task to ensure tight connections.
- **WIRE/COMPONENT DAMAGE.** Damaged wires or components increase the risk of serious personal injury, fire, or machine damage. If you notice that any wires or components are damaged while performing a wiring task, replace those wires or components before completing the task.
- **MODIFICATIONS.** Using aftermarket parts or modifying the wiring beyond what is shown in the diagram may lead to unpredictable results, including serious injury or fire.
- **MOTOR WIRING.** The motor wiring shown in these diagrams is current at the time of printing, but it may not match your machine. Always use the wiring diagram inside the motor junction box.
- **CAPACITORS/INVERTERS.** Some capacitors and power inverters store an electrical charge for up to 10 minutes after being disconnected from the power source. To reduce the risk of being shocked, wait at least this long before working on capacitors.
- **CIRCUIT REQUIREMENTS.** You MUST follow the requirements at the beginning of this manual when connecting your machine to a power source.
- **EXPERIENCING DIFFICULTIES.** If you are experiencing difficulties understanding the information included in this section, contact our Technical Support at (570) 546-9663.



Wiring Diagram

⚠ WARNING!
 Only connect this parts washer to a properly grounded GFCI (Ground Fault Circuit Interrupt) receptacle. Test the GFCI receptacle operation according to switch at the manufacturers recommended intervals.

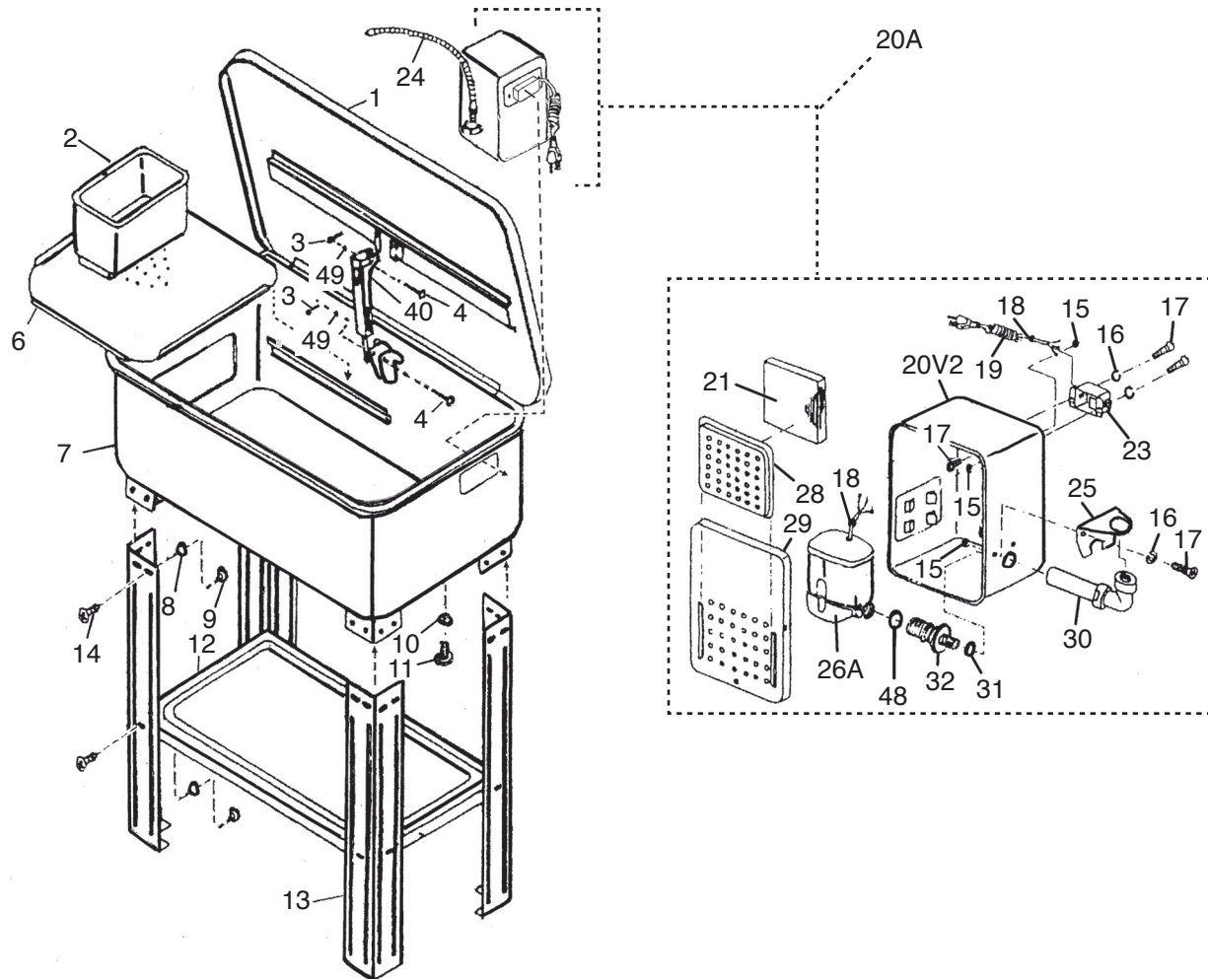
⚠ WARNING!
SHOCK HAZARD!
 Disconnect power before working on wiring.

NOTICE	COLOR KEY
<p>The photos and diagrams included in this section are best viewed in color. You can view these pages in color at www.grizzly.com.</p>	<p>BLACK — (Bk) —</p> <p>WHITE — (Wt) —</p> <p>GREEN — (Gn) —</p>



Parts

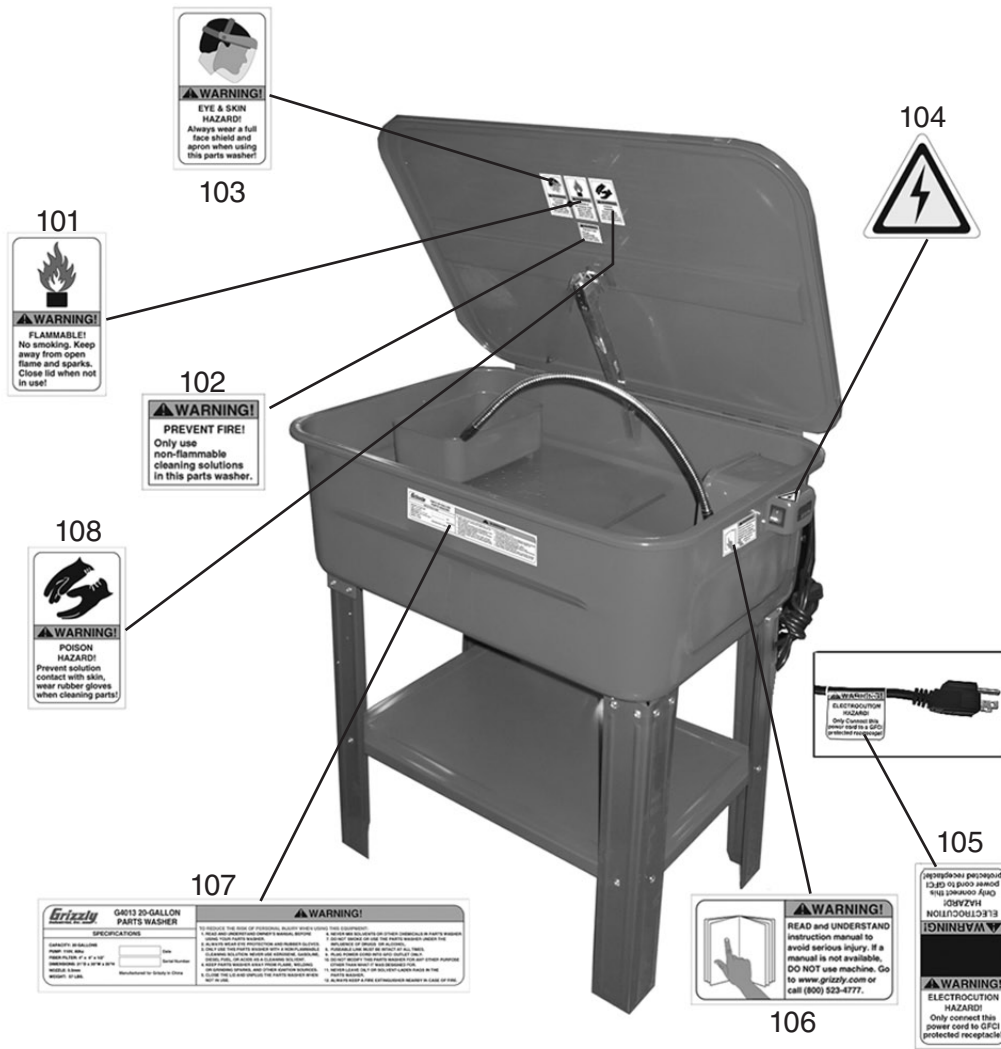


REF	PART #	DESCRIPTION
1	P4013001	COVER
2	P4013002	WORK BASKET
3	P4013003	COTTER PIN 1.5 X 16
4	P4013004	CLEVIS PIN 5 X 30
6	P4013006	WORK SHELF
7	P4013007	TUB
8	PLW03M	LOCK WASHER 6MM
9	PN01M	HEX NUT M6-1
10	P4013010	RUBBER WASHER
11	P4013011	DRAIN PLUG
12	P4013012	SHELF
13	P4013013	LEG
14	PS14M	PHLP HD SCR M6-1 X 12
15	PN04M	HEX NUT M4-.7
16	PW05M	FLAT WASHER 4MM
17	PS38M	PHLP HD SCR M4-.7 X 10
18	P4013018	STRAIN RELIEF

REF	PART #	DESCRIPTION
19	P4013019	POWER CORD W/PLUG
20V2	P4013020V2	PUMP HOUSING V2.04.04
20A	P4013020A	COMPLETE PUMP BOX W/ELECTRICAL
21	P4013021	SCREEN
23	P4013023	SWITCH BOX W/SWITCH
24	P4013024	FLEX HOSE W/NOZZLE
25	P4013025	MOUNTING PLATE
26A	P4013026A	PUMP ASSEMBLY V2.07.04
28	P4013028	FILTER COVER
29	P4013029	PUMP BOX COVER
30	P4013030	ELBOW
31	PORP015	O-RING 14.8 X 2.4 P15
32	P4013032	SPIGOT
40	P4013040	FIRE FUSE LINK LEVER
48	PORP021	O-RING 20.8 X 2.4 P21
49	PW02M	FLAT WASHER 5MM



Label Placement



REF	PART #	DESCRIPTION
101	P4013101	NO SMOKING LABEL
102	P4013102	SOLVENT TYPE WARNING LABEL
103	P4013103	FACE SHIELD WARNING LABEL
104	PLABEL-14B	ELECTRICITY WARNING LABEL

REF	PART #	DESCRIPTION
105	P4013105	GFCI WARNING LABEL
106	PLABEL-12B	READ MANUAL LABEL
107	P4013107	DATA LABEL
108	P4013108	RUBBER GLOVES WARNING LABEL



grizzly.com[®]

TOOL WEBSITE

Buy Direct and Save with Grizzly[®] – Trusted, Proven and a Great Value!
~Since 1983~

*Visit Our Website Today For
Current Specials!*

**ORDER
24 HOURS A DAY!
1-800-523-4777**



Free Manuals Download Website

<http://myh66.com>

<http://usermanuals.us>

<http://www.somanuals.com>

<http://www.4manuals.cc>

<http://www.manual-lib.com>

<http://www.404manual.com>

<http://www.luxmanual.com>

<http://aubethermostatmanual.com>

Golf course search by state

<http://golfingnear.com>

Email search by domain

<http://emailbydomain.com>

Auto manuals search

<http://auto.somanuals.com>

TV manuals search

<http://tv.somanuals.com>