



MODEL H6241 TRAILER DOLLY INSTRUCTION SHEET

⚠️ WARNING

To reduce the risk of property damage, serious personal injury, or death when using this trailer dolly, take the following precautions:

- Refer to your trailer owner's manual to verify the *Trailer Net Weight* does not exceed the maximum trailer dolly load rating of 600 lbs.
- Never attempt to tow or park a trailer with this dolly on any kind of hill, ramp, or incline.
- Only use this trailer dolly on a hard level surface capable of sustaining the combined load.
- Only use this trailer dolly to move an empty trailer.
- Always block trailer wheels and dolly wheels when not in use or in motion.
- Do not modify this trailer dolly.
- Never allow children to play with or near the trailer dolly while in use or in storage.
- Never work under a trailer that is supported by a trailer dolly.
- Periodically inspect the ball hitch, fasteners, frame, wheels, and welds for looseness, cracks, or other damage. Do not use the dolly if there is a problem.
- Do not over-inflate the dolly tires.
- This trailer dolly is not designed for use on the open road or highway.
- Always make sure that the trailer hitch receiver is fully connected and properly locked to the ball hitch before using this trailer dolly.



Specifications

- Maximum Load: 600 lbs.
- Ball Hitch Diameter: 1 $\frac{3}{4}$ ".
- Wheel Diameter: 10".
- Handle Length: 48".
- Unit Weight: 31lbs.

Operation

1. Read all required safety precautions listed.
2. On a level surface, correctly shut down and park the towing vehicle. Then block the trailer wheels.
3. Disconnect the safety chains and the electrical plug from the towing vehicle. Then move the dolly next to the trailer receiver.
4. Adjust the wheel blocks so with the help of an assistant you can connect the trailer receiver to the dolly ball hitch and lock it in place.
5. Remove wheel blocks and use the dolly.

If you have any questions with your new trailer dolly, call our Tech Support at: (570) 546-9663.

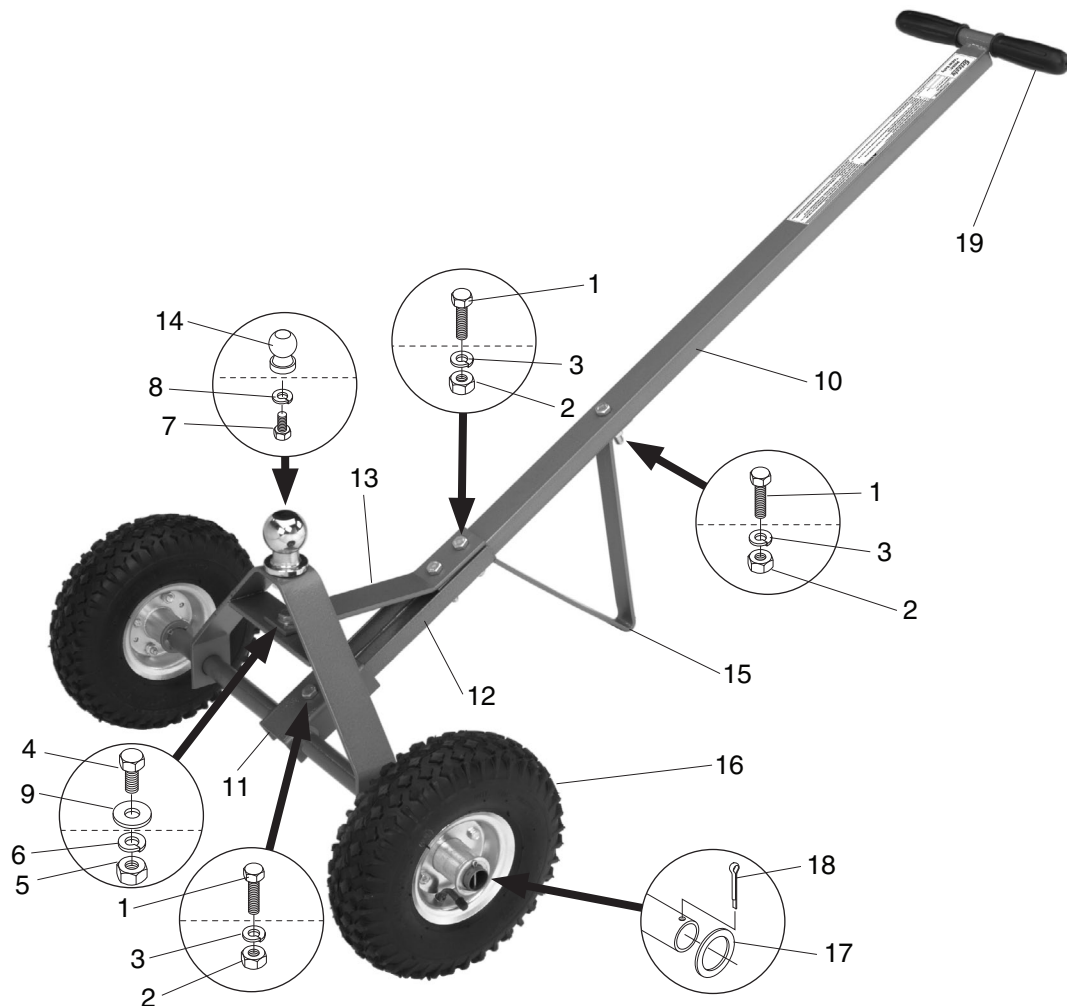
COPYRIGHT © OCTOBER, 2008 BY GRIZZLY INDUSTRIAL, INC. REVISED MARCH 2011 (JB)

**WARNING: NO PORTION OF THIS MANUAL MAY BE REPRODUCED IN ANY SHAPE
OR FORM WITHOUT THE WRITTEN APPROVAL OF GRIZZLY INDUSTRIAL, INC.**

#CR11236 PRINTED IN CHINA

Parts

The illustration and list below are provided for assembly and orientation purposes. Not all parts may be available for purchase.



REF	PART #	DESCRIPTION
1	PB34M	HEX BOLT M10-1.5 X 60
2	PN02M	HEX NUT M10-1.5
3	PLW06M	LOCK WASHER 10MM
4	PB27M	HEX BOLT M12-1.75 X 30
5	PN09M	HEX NUT M12-1.75
6	PLW05M	LOCK WASHER 12MM
7	PH6241007	HEX BOLT M18-2.5 X 40
8	PLW12M	LOCK WASHER 18MM
9	PW06M	FLAT WASHER 12MM
10	PH6241010	T-BAR HANDLE

REF	PART #	DESCRIPTION
11	PH6241011	AXLE ASSEMBLY
12	PH6241012	HANDLE MOUNT
13	PH6241013	SUPPORT BRACE
14	PH6241014	HITCH BALL
15	PH6241015	SUPPORT LEG
16	PH6241016	WHEEL
17	PH6241017	AXLE WASHER
18	PH6241018	COTTER PIN
19	PH6241019	RUBBER GRIP

Free Manuals Download Website

<http://myh66.com>

<http://usermanuals.us>

<http://www.somanuals.com>

<http://www.4manuals.cc>

<http://www.manual-lib.com>

<http://www.404manual.com>

<http://www.luxmanual.com>

<http://aubethermostatmanual.com>

Golf course search by state

<http://golfingnear.com>

Email search by domain

<http://emailbydomain.com>

Auto manuals search

<http://auto.somanuals.com>

TV manuals search

<http://tv.somanuals.com>