



MODEL T26903

52½" 14-DRAWER TOOL CABINET

INSTRUCTIONS

For questions or help with this product contact Tech Support at (570) 546-9663 or techsupport@grizzly.com

Introduction

The Model T26903 14-Drawer Tool Cabinet requires some assembly. Follow instructions below for assembly, operation, and maintenance.



Figure 1. Model T26903.

Inventory

Qty

- Tool Cabinet with Drawers..... 1
- Handle 1
- Hex Bolts M8-1.25 x 25 28
- Flat Washers 8mm 24
- Lock Washers 8mm..... 24
- Fixed Casters 2
- Swivel Casters 2
- Swivel Casters with Brakes 2
- Keys..... 2

Assembly

1. Attach handle on preferred side of tool cabinet using four M8-1.25 x 25 hex bolts (see Figure 2). **Do not over-tighten!**

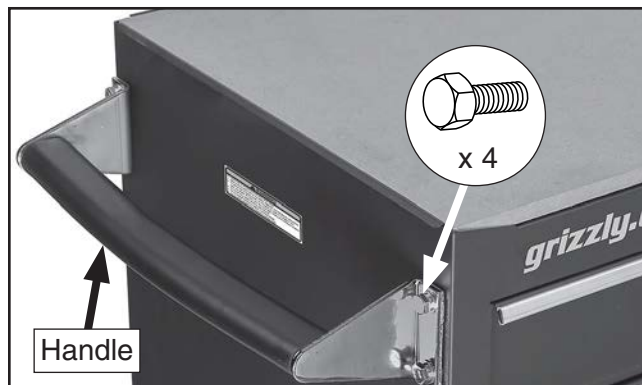


Figure 2. Handle installed.

! WARNING

- To reduce risk of crushing injuries from tool cabinet tipping over on you:
 - Do not stand on cabinet or in drawers.
 - Push cabinet only. Do not pull it.
 - Only open one drawer at a time.
 - Only move or transport cabinet with all drawers closed and locked.
- Do not exceed weight capacities:
 - Max individual drawer weight limit is 50 lbs.
 - Max tool cabinet weight limit (including contents) is 1000 lbs.
- To prevent accidental rolling, always lock brakes after moving cabinet.
- Do not allow children to have unsupervised access to cabinet.

COPYRIGHT © AUGUST, 2014 BY GRIZZLY INDUSTRIAL, INC.
NO PORTION OF THIS MANUAL MAY BE REPRODUCED IN ANY SHAPE
OR FORM WITHOUT THE WRITTEN APPROVAL OF GRIZZLY INDUSTRIAL, INC.
FOR MODELS MANUFACTURED SINCE 08/2014 #WK16750 PRINTED IN CHINA

V1.08.14

2. Remove casters and hardware from bottom drawer.
3. Remove bottom drawer (refer to **Operation** for instructions).
4. Place unit on its top or side.

Tip: Use packaging material to protect paint finish.

5. Attach each caster using four M8-1.25 x 25 hex bolts, 8mm lock washers, and 8mm flat washers (see **Figure 3**).

Be sure swivel casters with brakes are mounted on same side as handle, and fixed casters are mounted in middle of unit, parallel with long sides of cabinet.

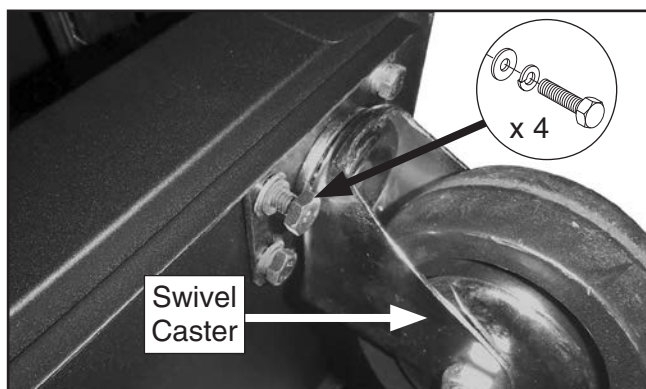


Figure 3. Caster installed.

6. Return tool cabinet to upright position.

Locking Drawers

Use the included key to lock the drawers. Only completely closed drawers will lock.

Removing & Installing Drawers

The drawers can be removed and re-installed if an object inside causes them not to fully close.

To remove and install drawers:

1. Fully extend drawer and remove contents.
2. Push left locking tab down and hold, then pull right locking tab up and hold (see **Figure 4**).

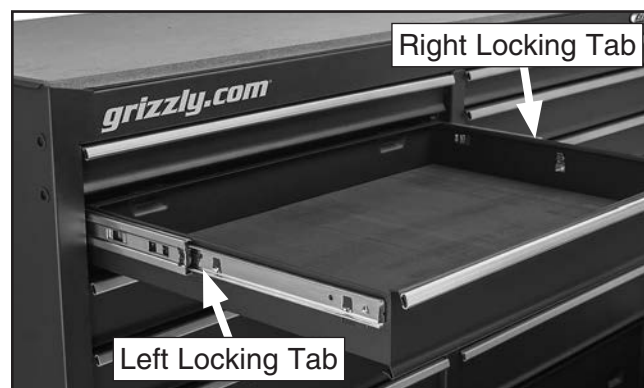


Figure 4. Location of drawer locking tabs.

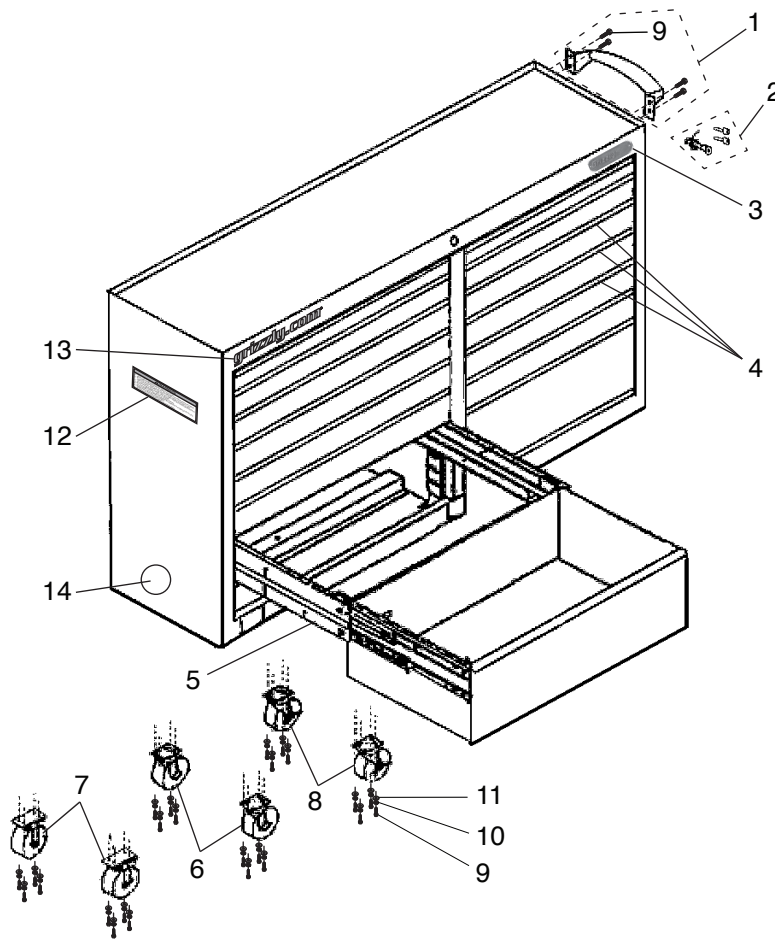
3. Pull drawer out to remove.
4. To re-install, insert drawer runners into slides and push drawer in until it stops. The locking tabs will automatically snap into place to secure the drawer in the slides.

Maintenance

- Use soft, clean cloth, and standard cleaning solution to remove grease, dirt, or oil. Do not use solvents or flammable cleaning liquids.
- Lubricate drawer slides as needed with dry lubricant.
- Use graphite to lubricate lock annually.



T26903 Parts Breakdown and List



REF	PART #	DESCRIPTION
1	PT26903001	HANDLE SET W/HARDWARE
2	PT26903002	LOCK SET W/2 KEYS
3	PT26903003	GRIZZLY NAMEPLATE-MINI
4	PT26903004	DRAWER TRIM 23-5/8"
5	PT26903005	DRAWER SLIDE SET
6	PT26903006	FIXED CASTER SET
7	PT26903007	SWIVEL CASTER SET
8	PT26903008	SWIVEL CASTER SET WITH BRAKE
9	PT26903009	HEX BOLT M8-1.25 X 25
10	PT26903010	LOCK WASHER 8MM
11	PT26903011	FLAT WASHER 8MM
12	PT26903012	WARNING LABEL FOR TOOLBOXES
13	PT26903013	GRIZZLY.COM GOLD LOGO
14	PT26903014	BLACK TOUCH-UP PAINT

Please Note: We do our best to stock replacement parts whenever possible, but we cannot guarantee that all parts shown here are available for purchase. Call (800) 523-4777 or visit our online parts store at www.grizzly.com to check for availability.



grizzly.com[®]

TOOL WEBSITE

Buy Direct and Save with Grizzly[®] – Trusted, Proven and a Great Value!
~Since 1983~

*Visit Our Website Today For
Current Specials!*

**ORDER
24 HOURS A DAY!
1-800-523-4777**



Free Manuals Download Website

<http://myh66.com>

<http://usermanuals.us>

<http://www.somanuals.com>

<http://www.4manuals.cc>

<http://www.manual-lib.com>

<http://www.404manual.com>

<http://www.luxmanual.com>

<http://aubethermostatmanual.com>

Golf course search by state

<http://golfingnear.com>

Email search by domain

<http://emailbydomain.com>

Auto manuals search

<http://auto.somanuals.com>

TV manuals search

<http://tv.somanuals.com>