



MODEL T26900 52" 10-DRAWER TOOL CHEST INSTRUCTIONS

For questions or help with this product contact Tech Support at (570) 546-9663 or techsupport@grizzly.com

Introduction

The Model T26900 10-Drawer Tool Chest (see **Figure 1**) comes fully assembled except for two side handles. Follow instructions below for assembly, operation, and maintenance.



Figure 1. Model T26900.

⚠ WARNING

- To reduce risk of crushing injuries from tool chest tipping over on you:
 - Do not stand on tool chest or in drawers.
 - Only open one drawer at a time.
 - Only move or transport tool chest with all drawers closed and locked.
- Do not exceed weight capacities:
 - Max individual drawer weight limit is 50 lbs.
 - Max tool chest weight limit (including contents) is 400 lbs.
- Do not allow children to have unsupervised access to tool chest.

Inventory

Description	Qty
A. Tool Box w/Drawers.....	1
B. Keys.....	2
C. Side Handles.....	2
D. Hex Bolts M8-1.25 x 16	4

Assembly

1. Place chest on flat, level surface capable of supporting weight when fully loaded.
2. Attach each side handle using two M8-1.25 x 16 hex bolts (see **Figure 2**).

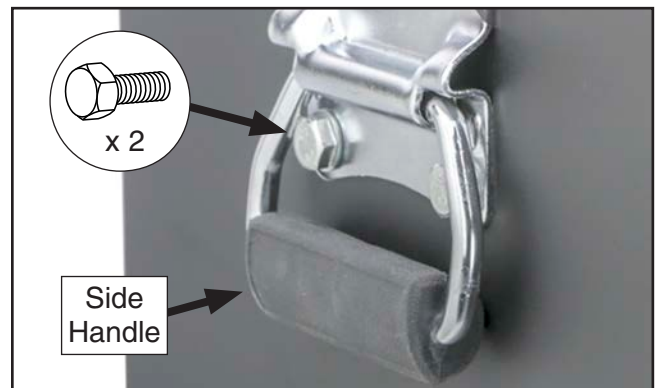


Figure 2. Side handle installed.

Locking & Unlocking Chest

To lock chest, close all drawers and top, then lock top with key.

To unlock chest, unlock top with key, then open top first to access drawers.

Removing & Installing Drawers

The drawers can be removed and re-installed if an object inside causes them to not close fully.

To remove and install drawers:

1. Open top.
2. Fully extend drawer and remove contents.
3. Push left locking tab down and hold, then pull right locking tab up and hold (see **Figure 3**).

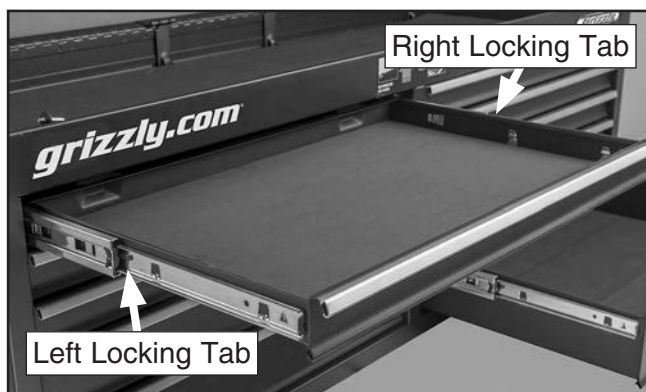


Figure 3. Location of drawer locking tabs.

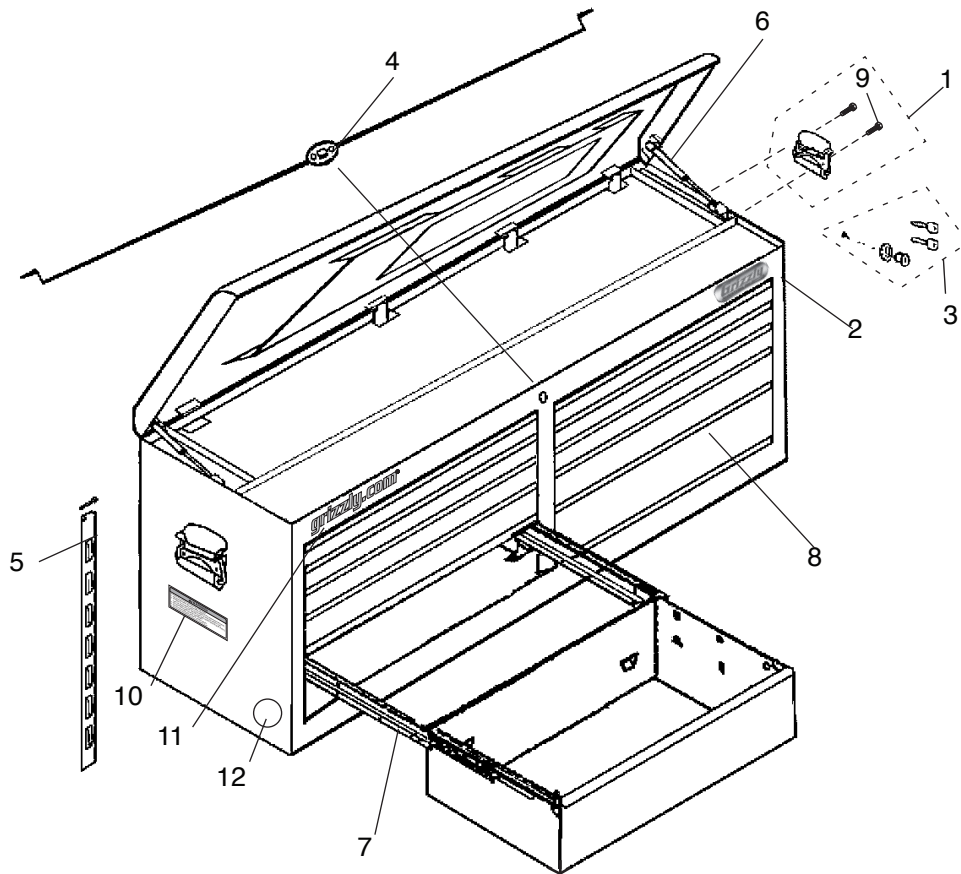
4. Pull drawer out.
5. Apply a thin layer of dry lubricant to drawer slides.
6. To re-install, insert drawer runners into slides and push drawer in until it stops. The locking tabs will automatically snap into place to secure the drawer in the slides.

Maintenance

- Use soft, clean cloth, and standard cleaning solution to remove grease, dirt, or oil. Do not use solvents or flammable cleaning liquids.
- Lubricate drawer slides as needed with dry lubricant.
- Use graphite to lubricate lock annually.



T26900 Parts Breakdown and List



REF	PART #	DESCRIPTION
1	PT26900001	SIDE HANDLE SET W/HARDWARE
2	PT26900002	GRIZZLY NAMEPLATE-MINI
3	PT26900003	LOCK SET W/2 KEYS
4	PT26900004	ACTUATOR ASSEMBLY
5	PT26900005	LOCKING BAR AND PIN
6	PT26900006	LID LIFT SET
7	PT26900007	DRAWER SLIDE SET
8	PT26900008	DRAWER TRIM 23-3/4"
9	PT26900009	HEX BOLT M8-1.25 X 16
10	PT26900010	WARNING LABEL FOR TOOLBOXES
11	PT26900011	GRIZZLY.COM GOLD LOGO
12	PT26900012	BLACK TOUCH-UP PAINT

Please Note: We do our best to stock replacement parts whenever possible, but we cannot guarantee that all parts shown here are available for purchase. Call (800) 523-4777 or visit our online parts store at www.grizzly.com to check for availability.



grizzly.com[®]

TOOL WEBSITE

Buy Direct and Save with Grizzly[®] – Trusted, Proven and a Great Value!
~Since 1983~

*Visit Our Website Today For
Current Specials!*

**ORDER
24 HOURS A DAY!
1-800-523-4777**



Free Manuals Download Website

<http://myh66.com>

<http://usermanuals.us>

<http://www.somanuals.com>

<http://www.4manuals.cc>

<http://www.manual-lib.com>

<http://www.404manual.com>

<http://www.luxmanual.com>

<http://aubethermostatmanual.com>

Golf course search by state

<http://golfingnear.com>

Email search by domain

<http://emailbydomain.com>

Auto manuals search

<http://auto.somanuals.com>

TV manuals search

<http://tv.somanuals.com>