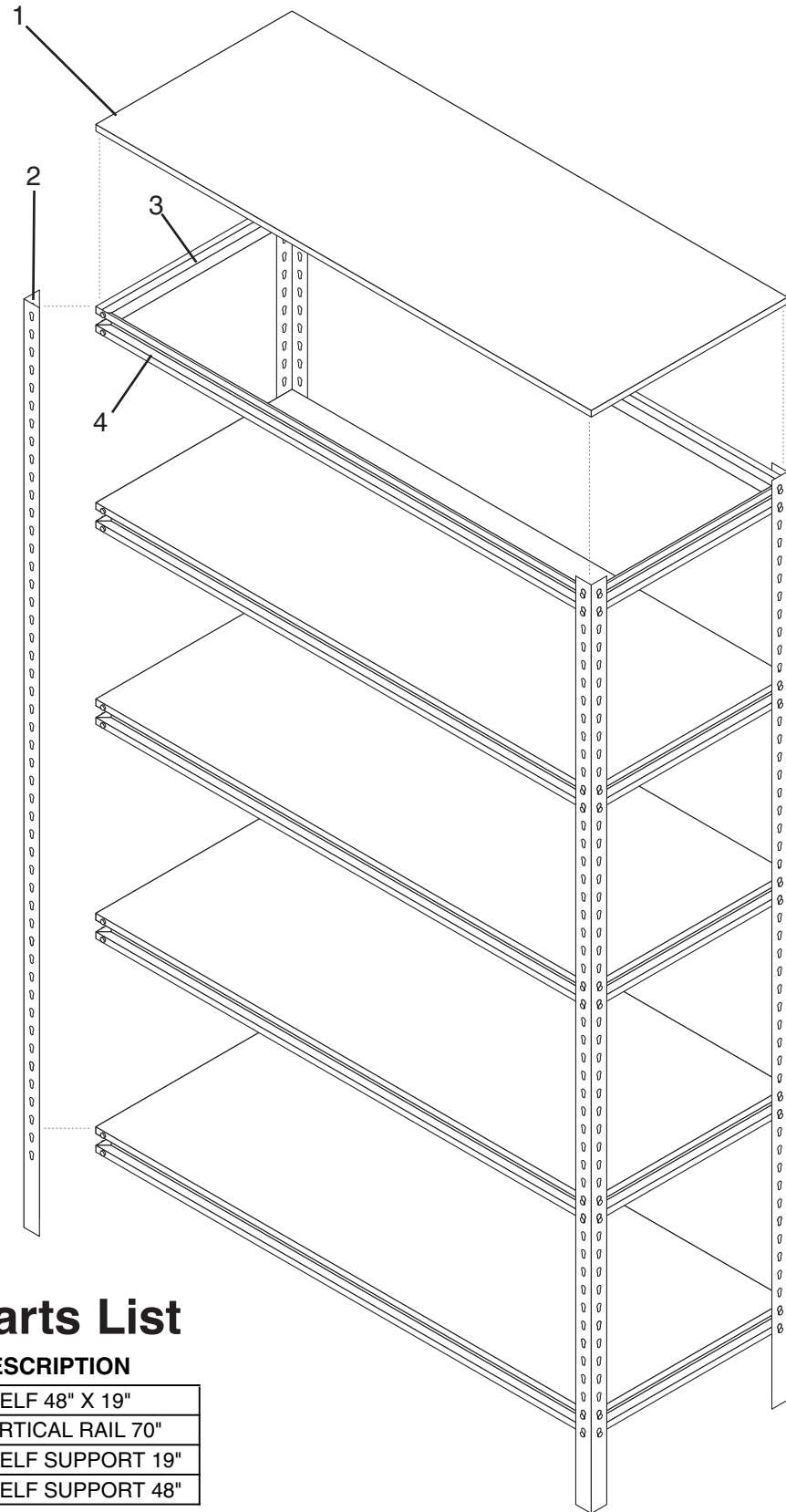


T10003 Parts List



T10003 Parts List

REF PART #	DESCRIPTION
1	PT10002001 SHELF 48" X 19"
2	PT10003002 VERTICAL RAIL 70"
3	PT10002003 SHELF SUPPORT 19"
4	PT10002004 SHELF SUPPORT 48"

COPYRIGHT © SEPTEMBER, 2007 BY GRIZZLY INDUSTRIAL, INC.
WARNING: NO PORTION OF THIS MANUAL MAY BE REPRODUCED IN ANY SHAPE OR FORM WITHOUT THE WRITTEN APPROVAL OF GRIZZLY INDUSTRIAL, INC.
 #TJ10001 PRINTED IN CHINA



MODEL T10002 & T10003 SHELF UNITS INSTRUCTION SHEET



Figure 1. T10002 4 Shelf Unit & T10003 5 Shelf Unit.

T10002 Specifications

Overall Size 48½"W x 19½"D x 60"T
 Shelf Size 48"W x 19"D
 Number of Shelves..... 4

T10003 Specifications

Overall Size 48½"W x 19½"D x 70"T
 Shelf Size 48"W x 19"D
 Number of Shelves..... 4

Inventory	Qty: T1002	T1003
A. 48" Shelf Support	8	10
B. 19" Shelf Support	8	10
C. Vertical Rail	4	4
D. Shelf	4	5

Assembly

After unpacking your shelving unit, inventory the parts. You will need a large bench or open floor area to assemble the shelves.

1. Begin by attaching a 48" shelf support to the bottom of two vertical rails as shown in **Figure 2**. This is done by inserting the two T-shaped circular pins, at both ends of all shelf supports, into the keyhole shaped slots on the rails and sliding them down into place.

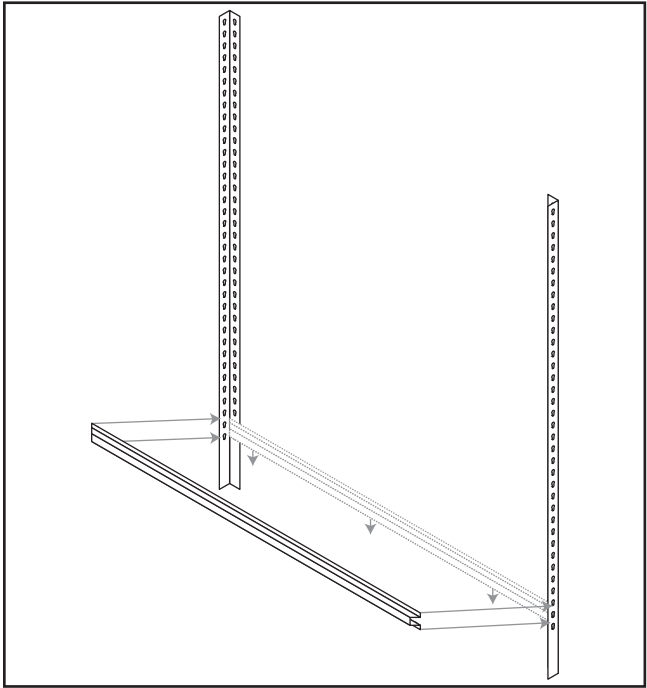


Figure 2. Attaching long shelf support.

2. Next, attach a 19" shelf support to the adjacent slots on the rail as shown in **Figure 3**.

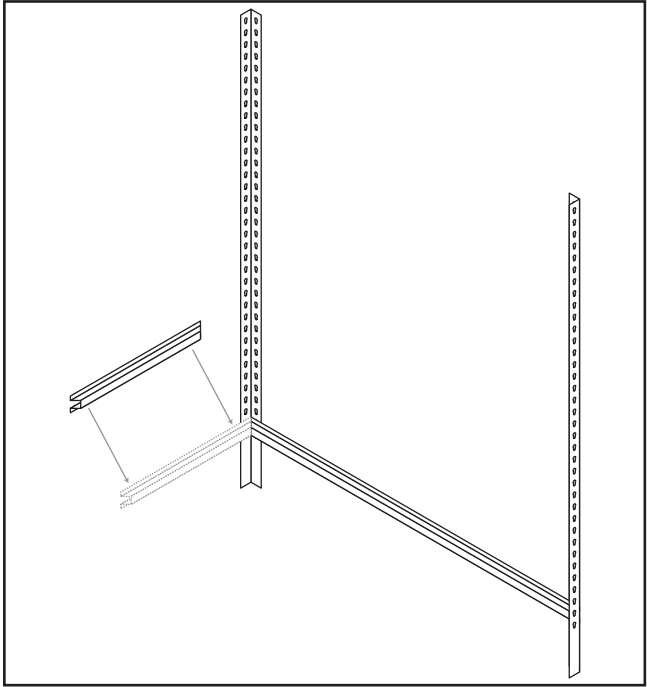


Figure 3. Attaching short shelf support.



- Now attach a third vertical rail to the opposite side of the 19" shelf support installed in **Step 2**, as shown in **Figure 4**.

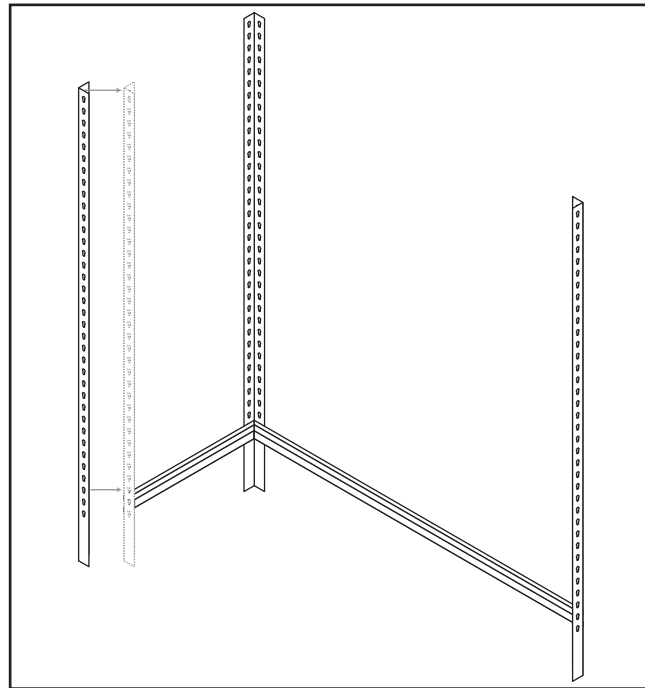


Figure 4. Attaching a third rail.

- Repeat **Steps 2** and **3** for the opposite side.
- Attach a fourth 48" shelf support as shown in **Figure 5**.

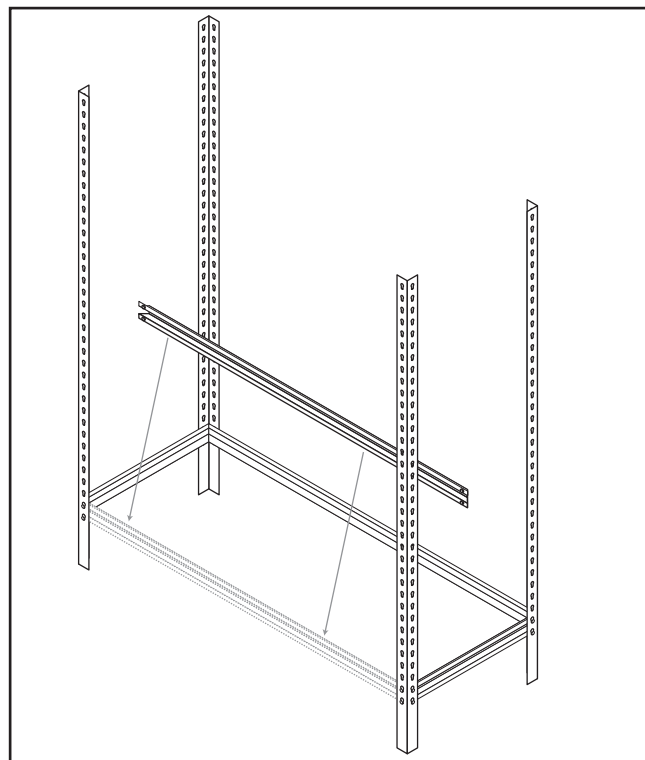


Figure 5. Attaching fourth shelf support.

- Repeat this process for the remaining shelf supports, placing them at the desired height, making sure that the shelf supports for a given shelf are all at the same height (**Figure 6**).

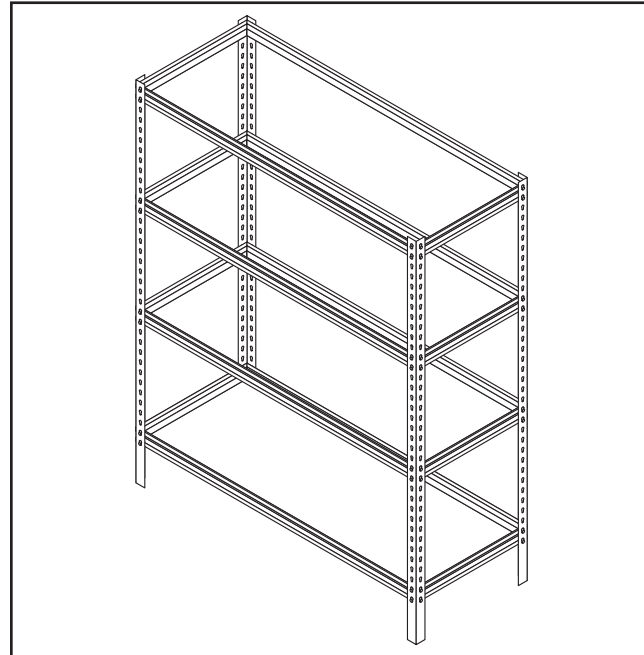


Figure 6. Repeating steps 1-5.

- Finally, place the shelves on the shelf supports from the bottom up as shown in **Figure 7**.

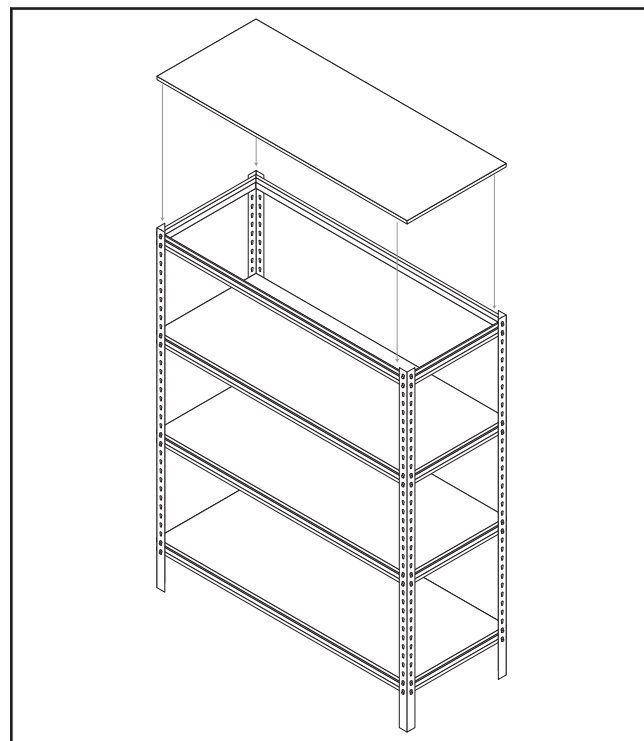
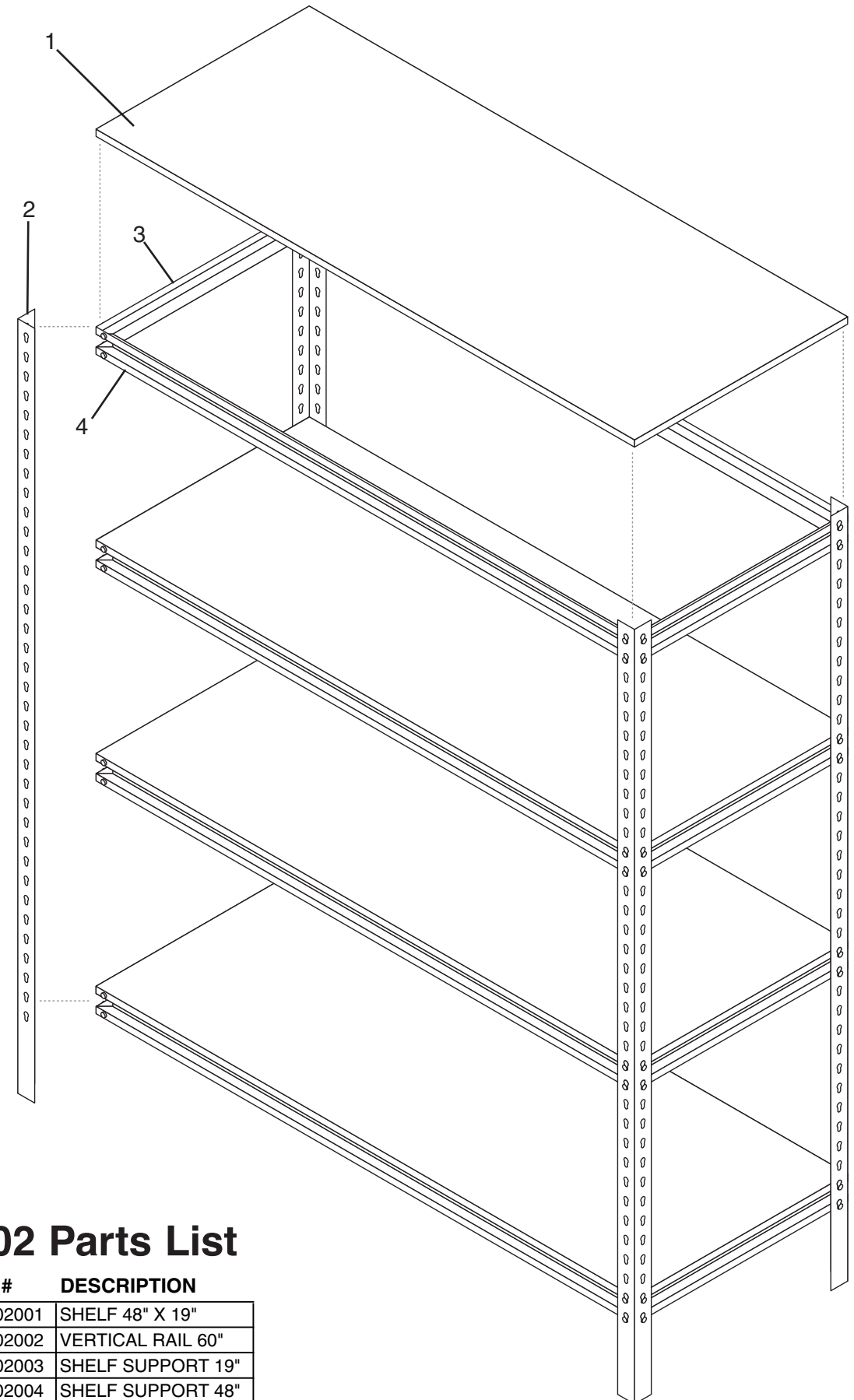


Figure 7. Placing the shelves

If you need help with your new item, call our Tech Support at: (570) 546-9663.

T10002 Parts Breakdown



T10002 Parts List

REF PART #	DESCRIPTION
1	PT10002001 SHELF 48" X 19"
2	PT10002002 VERTICAL RAIL 60"
3	PT10002003 SHELF SUPPORT 19"
4	PT10002004 SHELF SUPPORT 48"



Free Manuals Download Website

<http://myh66.com>

<http://usermanuals.us>

<http://www.somanuals.com>

<http://www.4manuals.cc>

<http://www.manual-lib.com>

<http://www.404manual.com>

<http://www.luxmanual.com>

<http://aubethermostatmanual.com>

Golf course search by state

<http://golfingnear.com>

Email search by domain

<http://emailbydomain.com>

Auto manuals search

<http://auto.somanuals.com>

TV manuals search

<http://tv.somanuals.com>