

### Introduction

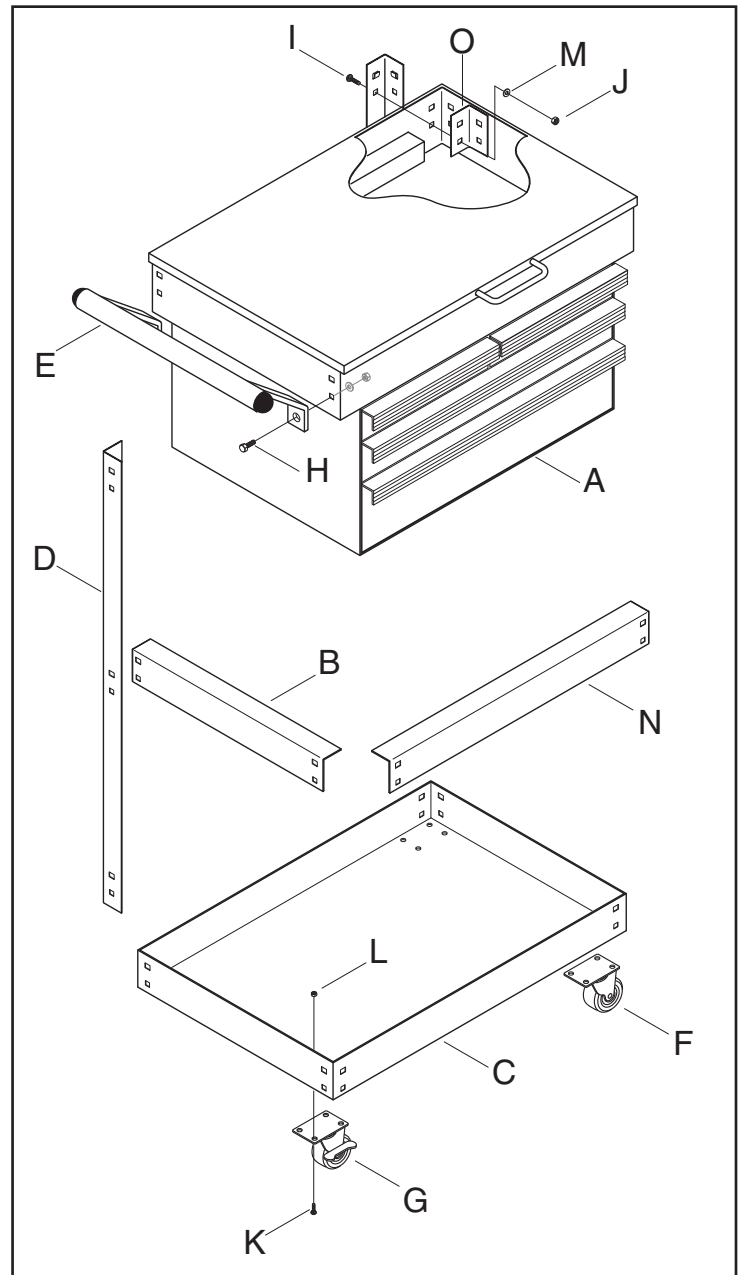
This rolling tool cart with tool box requires some assembly. Follow the instructions under each **Figure** on the following page.

To begin, lay out all of the parts and compare quantities to the inventory list given below.

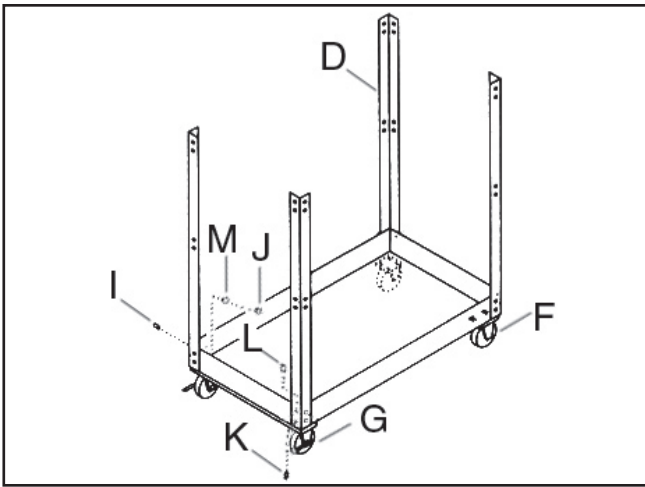
*If you need additional help with these instructions, call our service department at: (570) 546-9663.*

### Inventory (Figure 1)

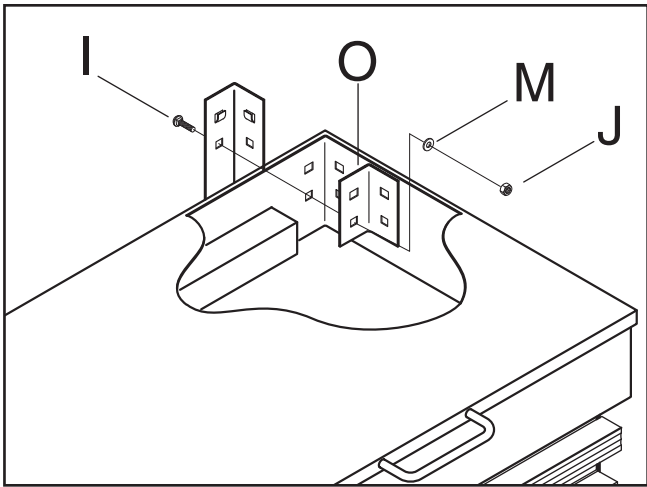
<b>A.</b>	Tool Box w/ Upper Shelf .....	1
<b>B.</b>	Side Support.....	2
<b>C.</b>	Bottom Shelf.....	1
<b>D.</b>	Vertical Support.....	4
<b>E.</b>	Handle .....	1
<b>F.</b>	Plain Caster.....	2
<b>G.</b>	Pivoting Caster.....	2
<b>H.</b>	8mm Hex Bolt.....	2
<b>I.</b>	8mm Carriage Bolt .....	22
<b>J.</b>	8mm Hex Nut .....	24
<b>K.</b>	6mm Phlps. Head Screw.....	16
<b>L.</b>	6mm Hex Nut .....	16
<b>M.</b>	8mm Flat Washer.....	24
<b>N.</b>	Front/Back Support .....	2
<b>O.</b>	Angle Bracket.....	4



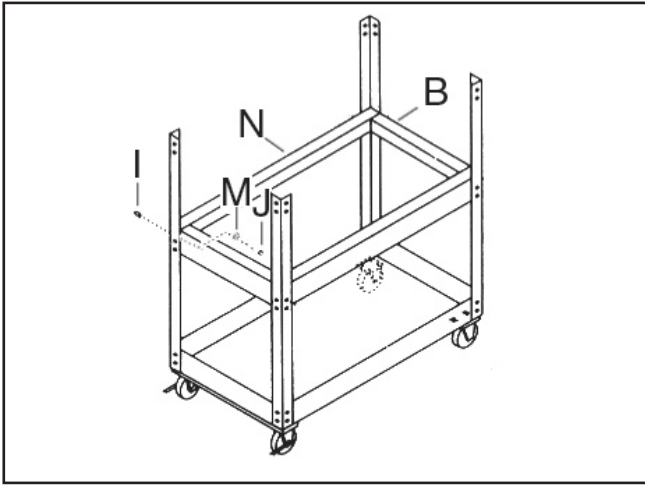
**Figure 1.** Inventory of parts.



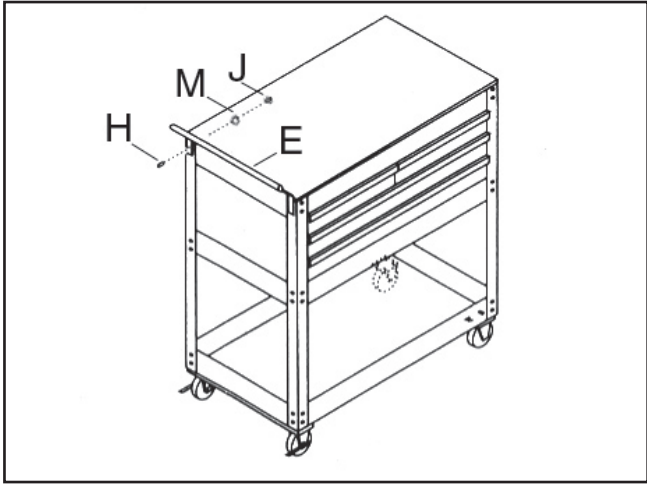
**Figure 2.** Assemble casters and vertical supports to bottom shelf.



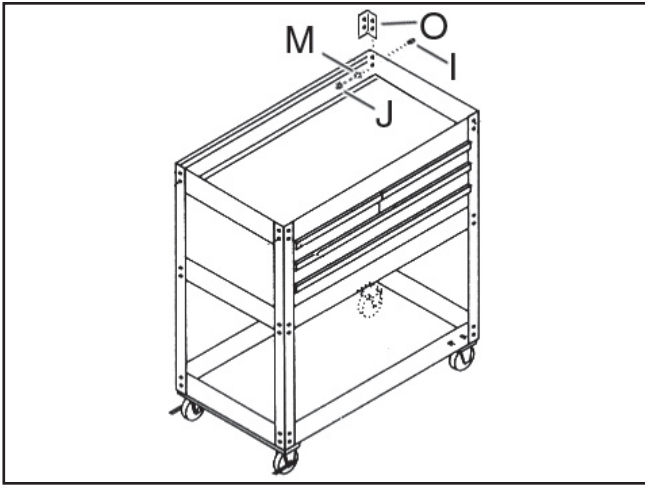
**Figure 5.** Details for assembly of the vertical support, the upper tray and the angle bracket.



**Figure 3.** Assemble the side supports to the vertical supports.



**Figure 6.** Assemble the handle onto the side of the tool box.



**Figure 4.** Set the tool box on top of the side supports and secure with screws, washers and nuts.

## Free Manuals Download Website

<http://myh66.com>

<http://usermanuals.us>

<http://www.somanuals.com>

<http://www.4manuals.cc>

<http://www.manual-lib.com>

<http://www.404manual.com>

<http://www.luxmanual.com>

<http://aubethermostatmanual.com>

Golf course search by state

<http://golfingnear.com>

Email search by domain

<http://emailbydomain.com>

Auto manuals search

<http://auto.somanuals.com>

TV manuals search

<http://tv.somanuals.com>