



MODEL H0613 HAND CRANK HOSE REEL INSTRUCTIONS

⚠️ WARNING

To reduce the risk of injury when using this tool:

- Make sure the incoming air pressure does not exceed the maximum rating of 250 PSI. Otherwise the fittings could crack or explode.
- Protect your eyes by wearing safety glasses or a face shield when assembling and using this hose reel.
- Pressurized air may cause injury to exposed body parts. Never expose any part of your body to pressurized air.
- Make sure the hose reel is firmly mounted to a stable surface before pressurizing.

Specifications

Max. Incoming Air Pressure 300 PSI
 Max. Hose Length on Reel 50 ft.
 Air Fitting Size 1/4" NPT

Inventory

Use the list below and **Figure 1** to inventory the contents of the shipping box.

Description	Qty
A. Hose Reel Assembly (not shown)	1
B. Swivel Valve 1/4" NPT.....	1
C. Threaded Plug 1/4".....	1
D. Handle.....	1
E. Handle Shaft	1
F. Lock Nut 5/16"-18.....	1
G. Flat Washer 5/16"	1

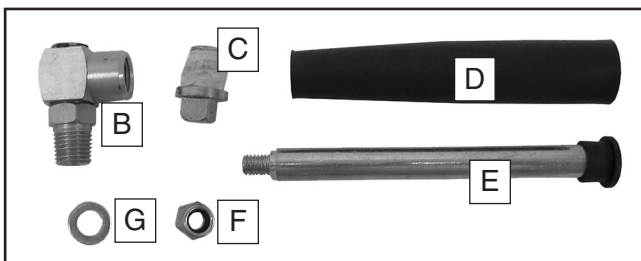


Figure 1. Model H0613 small item inventory.

Mounting

Use 3/8" hardware through the four holes of the hose reel base to firmly secure the assembly to a convenient and stable location.

Assembly

1. Insert the handle shaft through the handle, then secure the assembly to the crank with the lock nut and flat washer, as shown in **Figure 2**.

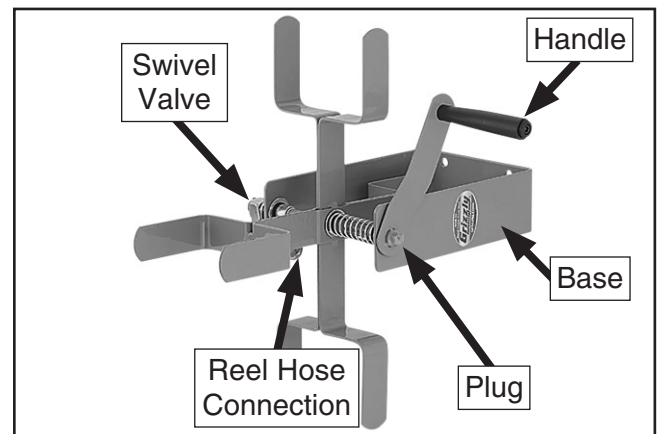
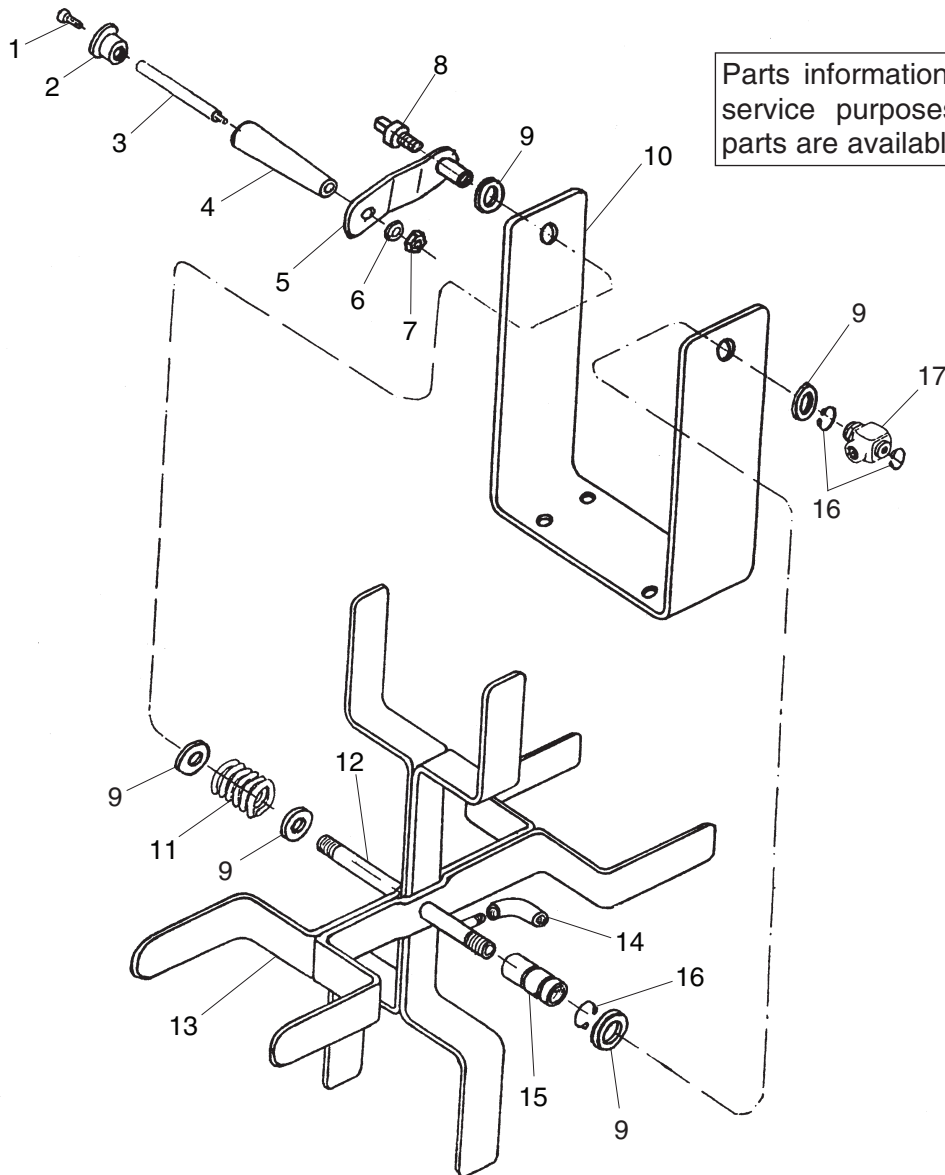


Figure 2. Model H0613 assembly components.

Note: Use Teflon pipe tape or thread sealant on all threaded connections. Also, do not overtighten the connections or you may damage the threads, resulting in leaks.

2. Install the threaded plug into the hole in the crank, as shown in **Figure 2**.
3. Install the swivel valve on the other end of the center axle, then connect the incoming air supply to it.
4. Connect the reel hose to the elbow connection shown in **Figure 2**.
5. Turn the air pressure **ON**, then use soapy water to test for leaks. If any are found, turn the air pressure **OFF** and repair the leaks before putting the hose reel into operation.

Model H0613 Parts



Parts information is provided for service purposes only. Not all parts are available for purchase.

REF	PART #	DESCRIPTION
1	PH0613001	CAP SCREW
2	PH0613002	RUBBER SLEEVE
3	PH0613003	HANDLE SHAFT
4	PH0613004	HANDLE
5	PH0613005	CRANK
6	PW07	FLAT WASHER 5/16
7	PLN03	LOCK NUT 5/16-18
8	PH0613008	THREADED PLUG 1/4 NPT
9	PW13	FLAT WASHER 3/4

REF	PART #	DESCRIPTION
10	PH0613010	BASE
11	PH0613011	COMPRESSION SPRING
12	PH0613012	AXLE
13	PH0613013	REEL FRAME
14	PH0613014	PIPE ELBOW 1/4 NPT
15	PH0613015	AXLE SLEEVE
16	PR02	EXT RETAINING RING 3/4
17	PH0613017	SWIVEL CONNECTOR 1/4 X 1/4 NPT

If you need help with your new hose reel, call our Tech Support at: (570) 546-9663.

COPYRIGHT © JUNE, 2009 BY GRIZZLY INDUSTRIAL, INC.
WARNING: NO PORTION OF THIS MANUAL MAY BE REPRODUCED IN ANY SHAPE OR FORM WITHOUT THE WRITTEN APPROVAL OF GRIZZLY INDUSTRIAL, INC.
 #TS11886 PRINTED IN CHINA

Free Manuals Download Website

<http://myh66.com>

<http://usermanuals.us>

<http://www.somanuals.com>

<http://www.4manuals.cc>

<http://www.manual-lib.com>

<http://www.404manual.com>

<http://www.luxmanual.com>

<http://aubethermostatmanual.com>

Golf course search by state

<http://golfingnear.com>

Email search by domain

<http://emailbydomain.com>

Auto manuals search

<http://auto.somanuals.com>

TV manuals search

<http://tv.somanuals.com>