

Grizzly *Industrial, Inc.*®

MODEL H8233 3-PIECE FRAMING/BRAD NAILER & STAPLER KIT OWNER'S MANUAL



COPYRIGHT © SEPTEMBER, 2007 BY GRIZZLY INDUSTRIAL, INC., REVISED FEBRUARY, 2008 (TS)
**WARNING: NO PORTION OF THIS MANUAL MAY BE REPRODUCED IN ANY SHAPE
OR FORM WITHOUT THE WRITTEN APPROVAL OF GRIZZLY INDUSTRIAL, INC.**
#TS9928 PRINTED IN CHINA

WARNING!

This manual provides critical safety instructions on the proper setup, operation, maintenance and service of this machine/equipment.

Failure to read, understand and follow the instructions given in this manual may result in serious personal injury, including amputation, electrocution or death.

The owner of this machine/equipment is solely responsible for its safe use. This responsibility includes but is not limited to proper installation in a safe environment, personnel training and usage authorization, proper inspection and maintenance, manual availability and comprehension, application of safety devices, blade/cutter integrity, and the usage of personal protective equipment.

The manufacturer will not be held liable for injury or property damage from negligence, improper training, machine modifications or misuse.

WARNING!

Some dust created by power sanding, sawing, grinding, drilling, and other construction activities contains chemicals known to the State of California to cause cancer, birth defects or other reproductive harm. Some examples of these chemicals are:

- **Lead from lead-based paints.**
- **Crystalline silica from bricks, cement and other masonry products.**
- **Arsenic and chromium from chemically-treated lumber.**

Your risk from these exposures varies, depending on how often you do this type of work. To reduce your exposure to these chemicals: Work in a well ventilated area, and work with approved safety equipment, such as those dust masks that are specially designed to filter out microscopic particles.

SAFETY

WARNING

For Your Own Safety Read Instruction Manual Before Operating This Equipment

The purpose of safety symbols is to attract your attention to possible hazardous conditions. This manual uses a series of symbols and signal words which are intended to convey the level of importance of the safety messages. The progression of symbols is described below. Remember that safety messages by themselves do not eliminate danger and are not a substitute for proper accident prevention measures.



Indicates an imminently hazardous situation which, if not avoided, **WILL** result in death or serious injury.



Indicates a potentially hazardous situation which, if not avoided, **COULD** result in death or serious injury.



Indicates a potentially hazardous situation which, if not avoided, **MAY** result in minor or moderate injury. It may also be used to alert against unsafe practices.

NOTICE

This symbol is used to alert the user to useful information about proper operation of the equipment.

WARNING

Safety Instructions for Pneumatic Tools

- KEEP ALL SAFETY DEVICES IN PLACE** and in working order.
- REMOVE ADJUSTING KEYS AND WRENCHES.** Form habit of checking to see that keys and adjusting wrenches are removed from tool before operation.
- KEEP WORK AREA CLEAN.** Cluttered areas and benches invite accidents.
- DO NOT USE IN DANGEROUS ENVIRONMENT.** Do not use pneumatic tools in damp or wet locations, or where any flammable or noxious fumes may exist. Keep work area well lighted.
- KEEP CHILDREN AND VISITORS AWAY.** All children and visitors should be kept at a safe distance from work area.
- MAKE WORKSHOP CHILD PROOF** by locking your shop and shutting off air valves.
- DO NOT FORCE TOOL.** It will do the job better and safer at the rate for which it was designed.
- USE THE RIGHT TOOL.** Do not force tool or attachment to do a job for which it was not designed.
- DO NOT USE UNDER THE INFLUENCE OF DRUGS OR ALCOHOL.**

WARNING

Safety Instructions for Pneumatic Tools

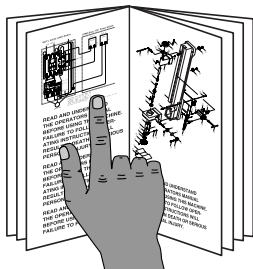
10. **USE PROPER AIR HOSE** for the tool. Make sure your air hose is in good condition and is long enough to reach your work without stretching.
11. **WEAR PROPER APPAREL.** Do not wear loose clothing, gloves, neckties, rings, bracelets, or other jewelry which may get caught in moving parts. Non-slip footwear is recommended. Wear a protective hair covering to contain long hair.
12. **ALWAYS USE SAFETY GLASSES.** Also use a face or dust mask if cutting operation is dusty. Everyday eyeglasses only have impact resistant lenses, they are NOT safety glasses.
13. **WEAR APPROVED HEARING PROTECTION.** Air escaping from pneumatic tools can exceed safe exposure limits and may cause hearing damage with prolonged exposure.
14. **SECURE WORK.** Use clamps or a vise to hold work when practical. It is safer than using your hand and frees both hands to operate tool.
15. **MAINTAIN TOOLS WITH CARE.** Keep tools lubricated and clean for best and safest performance. Follow instructions for lubricating and changing accessories.
16. **REDUCE THE RISK OF UNINTENTIONAL FIRING.** Do not carry tool with hand on trigger and always disconnect from air when not in use.
17. **DISCONNECT TOOLS** before servicing, changing accessories, or moving to another location.
18. **DO NOT OVERREACH.** Keep proper footing/balance at all times.
19. **USE THE RECOMMENDED ACCESSORIES.** Consult owner's manual for recommended accessories. The use of improper accessories may cause risk of injury.
20. **CHECK FOR DAMAGED PARTS BEFORE USING.** Check for binding and alignment of parts, broken parts, part mounting, loose bolts, and any other conditions that may affect machine operation. Repair or replace damaged parts.
21. **NEVER LEAVE UNATTENDED TOOL CONNECTED TO AIR.** Disconnect the air hose and do not leave tool until it is relieved of any built up pressure.
22. **NEVER ALLOW UNTRAINED USERS TO USE THIS TOOL WHILE UNSUPERVISED.**
23. **IF YOU ARE UNSURE OF THE INTENDED OPERATION, STOP USING TOOL.** Seek formal training or research books or magazines that specialize in pneumatic tools.
24. **BE AWARE OF HOSE LOCATION WHEN USING PNEUMATIC TOOLS.** Hoses can easily become a tripping hazard when laid across the floor or spread out in a disorganized fashion.

WARNING

Additional Safety Instructions for Nailers/ Staplers

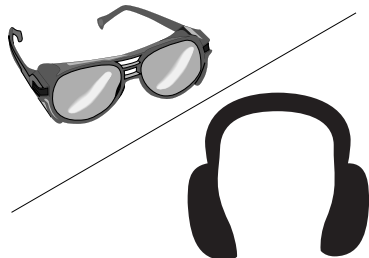
- 1. HAND INJURIES:** Do not place your hands near the nail/staple point of entry. A nail/staple can deflect and tear through the surface of the workpiece, puncturing your hand or fingers.
- 2. COMBUSTIBLE GASES:** Never connect the nailer/stapler to pressurized oxygen or other combustible gases as an air source. Only use filtered, lubricated, and regulated compressed air.
- 3. SAFE HANDLING:** Never point the nailer/stapler at others! Do not keep the trigger pulled when loading fasteners, carrying, or holding tool. Carry the tool only by the handle, never by any other part. Do not carry the tool by the air hose. Disconnect the nailer/stapler from the air hose when going up and down ladders.
- 4. MODIFICATIONS:** DO NOT modify this tool or bypass the safety nose mechanism.
- 5. COMPRESSED AIR RATING:** Do not connect the nailer/stapler to compressed air that exceeds 120 PSI.
- 6. HOSE USAGE:** Make sure your air hose is designed for the tool in use, is in good condition, and is long enough to reach your work without stretching. However, an overly long air hose in the work area may be a tripping hazard.
- 7. OPERATING QUESTIONS:** If you are not sure about the intended operation, stop using the nailer/stapler. Seek formal training.
- 8. CLEANING:** Never use gasoline or other flammable liquids to clean the nailer; vapors in the nailer/stapler will ignite by a spark and cause it to explode.
- 9. MAINTENANCE:** Always disconnect air from the nailer/stapler when servicing or installing nails. During maintenance, a nailer/stapler connected to air may fire accidentally, causing serious personal injury.
- 10. CHECK VALVE:** Do not use a check valve or any other fitting that allows air to remain in the tool after it is disconnected from the air source.

!WARNING



Read the manual before operation. Become familiar with this nailer/stapler, its safety instructions, and its operation before beginning any work. Serious personal injury may result if safety or operational information is not understood or followed.

!WARNING



Operating this nailer/stapler can propel objects into the air, causing immediate eye damage. To protect yourself, always wear American National Standards Institute (ANSI) approved safety glasses or goggles when operating this equipment. In addition, this nailer/stapler discharges at up to 85-90 decibels. To protect your hearing, always wear ANSI approved ear protection when operating this tool.

!WARNING

Never point this nailer/stapler at yourself or another person! Always pay attention to the direction this nailer/stapler is pointed. Use these tools with respect and caution to lessen the possibility of operator or bystander injury. Ignoring this warning may result in serious personal injury.

!CAUTION

Nailer/stapler accidents routinely happen while moving the gun to another location, such as up ladders, to another room, or even another job site. Always disconnect the gun immediately after use and never transport the gun while connected to the air—even if the air compressor is disconnected from its power source!

!CAUTION

No list of safety guidelines can be complete. Every shop environment is different. Always consider safety first, as it applies to your individual working conditions. Use this and other tools with caution and respect. Failure to do so could result in serious personal injury, damage to equipment or poor work results.

INTRODUCTION

Foreword

The specifications, details, and photographs in this manual represent the Model H8233 as supplied when the manual was prepared. However, owing to Grizzly's policy of continuous improvement, changes may be made at any time with no obligation on the part of Grizzly.

If you have any comments regarding this manual, please write to us at the following address:

Grizzly Industrial, Inc.
C/O Technical Documentation
P.O. Box 2069
Bellingham, WA 98227-2069
E-Mail: manuals@grizzly.com

Most importantly, we stand behind our tools. If you have any service questions or parts requests, please call or write us at the location listed below.

Grizzly Industrial, Inc.
1203 Lycoming Mall Circle
Muncy, PA 17756
Phone: (570) 546-9663
Fax: (800) 438-5901
E-Mail: techsupport@grizzly.com
Web Site: <http://www.grizzly.com>

Tool Data

Framing Nailer

Nail Size 1/8" Shank Diameter
Nail Strip Angle..... 34° Clipped Head
Nail Length 2"-3 1/2"
Magazine Capacity..... 60 Nails
Air Inlet Fitting 1/4" NPT
Weight 8 1/2 lbs.
Operating Air Pressure..... 80-110 PSI
Maximum Air Pressure 120 PSI

Brad Nailer

Nail Size 18 Gauge
Nail Length 1 1/4"
Magazine Capacity..... 100 Nails
Air Inlet Fitting 1/4" NPT
Weight 2 1/2 lbs.
Operating Air Pressure..... 60-100 PSI
Maximum Air Pressure 120 PSI

Stapler

Staple Size 21 Gauge
Staple Length 1/4"-5/8"
Magazine Capacity..... 120 Staples
Air Inlet Fitting 1/4" NPT
Weight 1 7/8 lbs.
Operating Air Pressure..... 60-100 PSI
Maximum Air Pressure 120 PSI

SETUP

Unpacking

Your new nailer/stapler kit was carefully packaged for safe shipping. If you discover any damage after you have signed for delivery, *immediately call Customer Service at (570) 546-9663 for advice.*

Save the containers and all packing materials for possible inspection by the carrier or its agent. *Otherwise, filing a freight claim can be difficult.*

When you are completely satisfied with the condition of the shipment, you should inventory the contents.

Inventory

After you open the nailer case, you should find the following.

Model H8233 Inventory (Figure 1)	Qty
A. Tool Oil Bottle	1
B. Hex Wrenches 3,4,5,7mm	1Each
C. Safety Goggles	1
D. 34° Framing Nailer.....	1
E. 18 Gauge Brad Nailer	1
F. 21 Gauge Stapler.....	1
G. Carrying Case.....	1



Figure 1. Model H8233 inventory.

Compressed Air System

The Model H8233 is designed to be operated at the following air pressures using clean, dry, regulated, compressed air:

Tool	Operating Air Pressure
Framing Nailer.....	80–110 PSI
Brad Nailer	60–100 PSI
Stapler	60–100 PSI

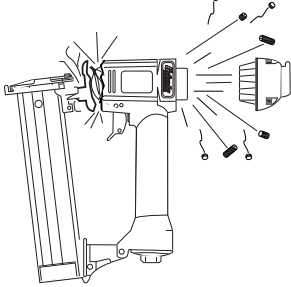
DO NOT exceed the 120 PSI maximum operating pressure for your nailer/stapler.

Before using your new nailer/stapler, regulate the air pressure to find the optimum setting within the specified operating range. Start by testing the nailer/stapler at a low setting, then increase the air pressure as needed for satisfactory results.

An in-line filter/lubricator/regulator unit can be installed, as depicted in **Figure 2**.

This filter/lubricator/regulator unit will protect your tool from damaging water build-up, allow you to adjust and maintain constant air pressure to your tool, and save you the inconvenience of having to manually lubricate your tool every time you use it.

⚠ WARNING



Exceeding the maximum permissible operating pressure may damage the nailer/stapler and cause it to malfunction. To protect yourself from personal injury, DO NOT allow the air pressure to exceed the recommended pressure for these tools!

Check the current Grizzly catalog for availability of this unit. If you plan on installing a filter/lubricator/regulator unit in your compressed air system, always follow the connection instructions that come with the unit.

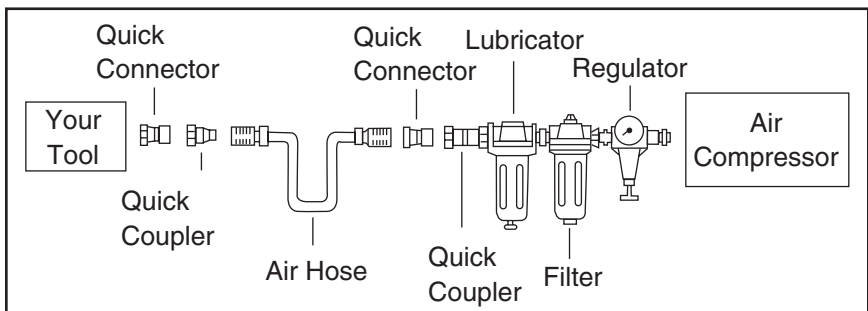


Figure 2. Typical filter/lubricator/regulator installation order.

Framing/Brad Nailer Safety Nose Mechanism

A safety mechanism on the nose of the framing/brad nailer protects against accidental firing. When the trigger is pressed, the nailer will not fire until the safety nose mechanism is depressed.

Before you use your nailers for the first time, perform these safety checks to ensure the safety nose mechanisms are operating properly.

Safety Check #1

1. DISCONNECT NAILER FROM THE AIR SUPPLY!
2. Make sure the magazine is empty and contains no nails.
3. Make sure the trigger and the safety nose mechanism move up and down without sticking.
4. Connect the nailer to the air supply.
5. **Without pressing the trigger**, depress the safety nose mechanism against a scrap piece of wood that is clean and free of any knots, nails, or other foreign objects.
 - If the nailer **does not fire**, then the safety nose mechanism is working correctly. Proceed to **Safety Check #2**.
 - If the nailer **does fire** when you do this, immediately disconnect the nailer from the air supply and call Grizzly Technical Support at (570) 546-9663 for help.

Note: If you find that the safety nose mechanism is not moving up and down properly, check the lubrication of its sliding components.

Safety Check #2

1. Lift the nailer from the scrap piece of wood so that the safety nose is **not** depressed, point the nailer down and away from yourself and others, then pull the trigger.
 - If the nailer **does not fire** when the trigger is pulled **without** the safety nose mechanism being depressed, then the nailer is working properly.
 - If the nailer **does fire** when you do this, immediately disconnect the nailer from the air supply and call Grizzly Technical Support at (570) 546-9663 for help.

WARNING

The safety mechanism is a mechanical device that can fail. Never rely on this mechanism as an excuse to point the framing/brad nailer at yourself or any bystanders. Serious injury may occur.

WARNING

DO NOT attempt to modify or bypass the safety nose mechanism to make the framing/brad nailer fire without pushing the safety nose down.

OPERATIONS

Loading

Framing Nailer

Nail Size 1/8" Shank Diameter
Nail Strip Angle..... 34° Clipped Head
Length..... 2"-3 1/2"
Magazine Capacity 60 Nails

To load your framing nailer:

1. DISCONNECT NAILER FROM THE AIR SUPPLY!
2. Grip the nailer firmly and point the nose down, then pull the magazine pusher back until the catch lever engages, as shown in **Figure 3**.

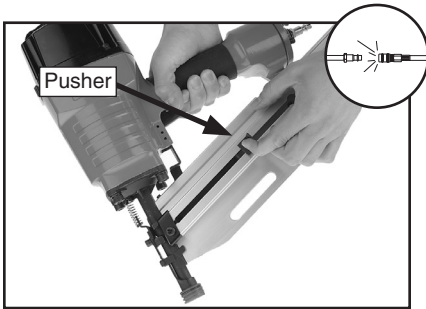


Figure 3. Sliding magazine pusher back and engaging catch lever.

3. Insert a strip or two of nails, pointed-end down, into the magazine as shown in **Figure 4**.



Figure 4. Loading nails into the magazine.

4. Tilt the nailer to slide the nails all the way down to the nose.
5. With one hand on the magazine pusher for control, release the magazine catch and slowly allow the pusher to press against the nails.

Brad Nailer

Nail Size 18 Gauge
Nail Length 1 1/4"
Magazine Capacity 100 Nails

To load your brad nailer:

1. DISCONNECT NAILER FROM THE AIR SUPPLY!
2. Press the magazine latch, as shown in **Figure 5**, and pull the magazine cover back.

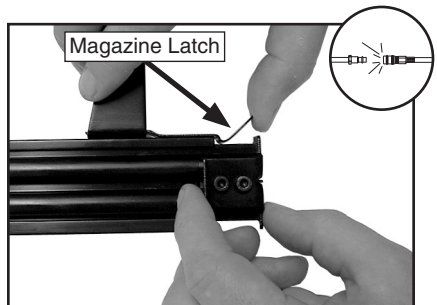


Figure 5. Pressing the magazine latch.

3. Insert a strip of nails, pointed-end down, into the magazine as shown in **Figure 6**.

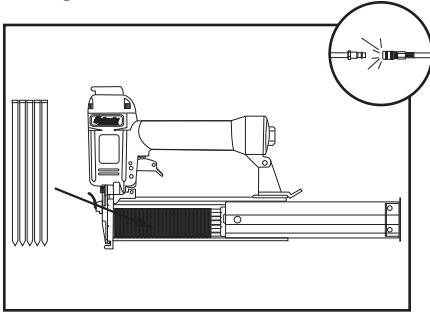


Figure 6. Loading nails into brad magazine.

4. Slide the nails all the way to the nose of the nailer.
5. Push the magazine cover forward until the magazine latch locks it in place.

Stapler

Staple Size 21 Gauge
 Staple Length 1/4"–5/8"
 Magazine Capacity 120 Staples

To load your stapler:

1. DISCONNECT STAPLER FROM THE AIR SUPPLY!
2. Depress the magazine latch lever and slide the magazine pusher back (see **Figure 7**).

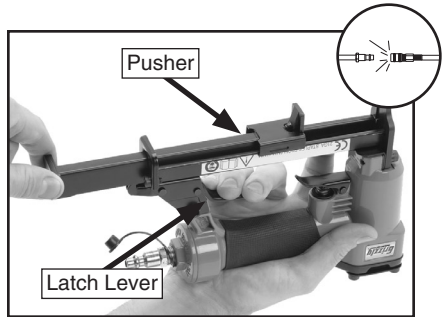


Figure 7. Opening stapler magazine.

3. Insert a strip of staples into the magazine, as shown in **Figure 8**, and slide the magazine pusher all the way forward.

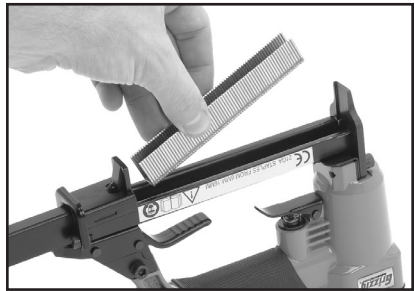


Figure 8. Loading staples.

4. Release the magazine latch lever to lock the magazine pusher in place.

Operating

If you have not read the safety instructions in this manual, do not operate the nailer/stapler.

Before you operate your nailer/stapler, place five to six drops of the included oil into the quick connect fitting where the nailer/stapler connects to the air supply.

Framing & Brad Nailer

1. Connect the air supply to the quick connect fitting.
2. To test for proper nail penetration, hold the nailer perpendicular to the surface of a piece of clean scrap wood that is thick enough for the length of nails you have loaded.
3. Depress the safety nose mechanism against your workpiece.
4. Before pulling the trigger, make sure your free hand and other body parts are positioned out of the way of a potential path of a nail in case of deflection.

Deflection is caused when grain irregularities, knots, or foreign objects inside the wood cause the nail to change its path, resulting in the nail puncturing the surface of the workpiece, as shown in **Figure 9**.

Besides damaging your workpiece, deflection can cause injury if your free hand is in the path of the deflecting nail.

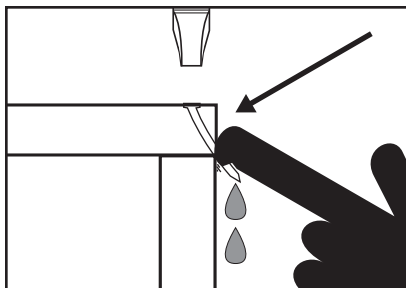


Figure 9. Example of nail deflection.

5. Pull the trigger.

Stapler

1. Connect the air supply to the quick connect fitting.
2. Place the nose of the stapler firmly against the workpiece.
3. Before pulling the trigger, make sure your free hand and other body parts are positioned out of the way of a potential path of a staple in case of deflection.
4. Pull the trigger.

Adjusting Framing Nailer Depth

Depending on the type of stock and nails you are using, it may be necessary to adjust the depth of nail penetration for your framing nailer.

To adjust the depth for your framing nailer:

1. DISCONNECT NAILER FROM THE AIR SUPPLY!
2. Use a 4mm hex wrench to loosen the cap screw shown in **Figure 10**.
3. Move the safety nose away from the nailer body to decrease nail depth, and toward the nailer body to increase nail depth.

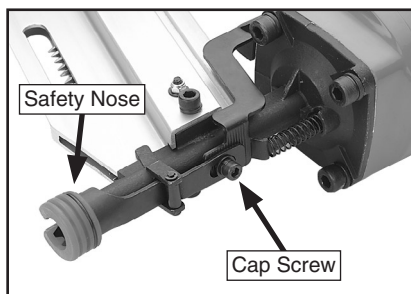


Figure 10. Loosening cap screw for depth adjustment.

4. Re-tighten the cap screw, then connect the nailer to the air supply and test the nail depth.
5. Repeat **Steps 2–4**, if necessary, until the nail depth is satisfactory.

⚠ CAUTION

DO NOT attempt to adjust the depth on your brad nailer. The nose of the brad nailer is not designed to be adjusted. Doing so could cause the safety nose mechanism to malfunction and cause personal injury.

Clearing Jammed Nails/Staples

A jammed nail/staple must be cleared before using the tool again.

Framing Nailer

To clear a jammed nail from the discharge area:

1. DISCONNECT NAILER FROM THE AIR SUPPLY!
2. Pull back and latch the magazine pusher.
3. Remove the nail stick from the magazine.
4. Locate the opening in the underside of the nailer safety nose (see **Figure 11**).

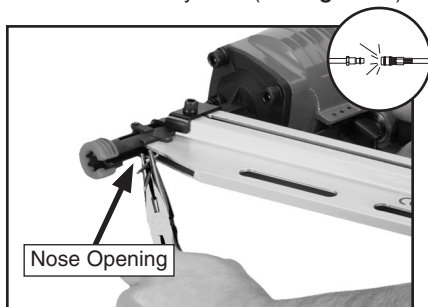


Figure 11. Nose opening for clearing a jammed nail.

- Remove the jammed nail with a tool that will fit in the slot on the underside of the nose.
- Throw the damaged nail away and insert a new nail stick that only contains clean, undamaged nails. DO NOT use dirty or damaged nails!
- Release the catch lever and slowly let the pusher slide to the front of the magazine.

Brad Nailer

To clear a jammed nail from the discharge area:

- DISCONNECT NAILER FROM THE AIR SUPPLY!
- Pull the magazine back and remove the nail stick.
- Push the latch on the nose guide cover down towards the nose until the catch releases; then remove the nose guide from the nailer, as shown in **Figure 12**.

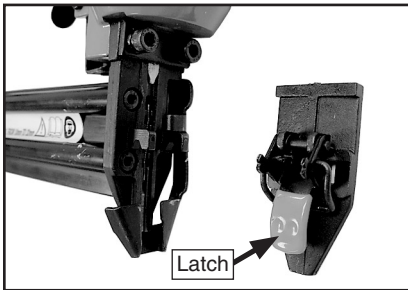


Figure 12. Nose guide cover removed from brad nailer.

- Use needle nose pliers to remove the jammed nail.
- Replace the nose guide cover, as shown in **Figure 13**.

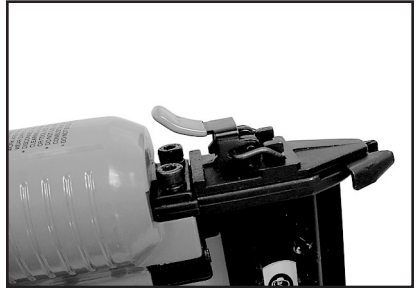


Figure 13. Brad nailer nose guide cover installed.

- Throw the damaged nail away and insert a new nail stick that only contains clean, undamaged nails. DO NOT use dirty or damaged nails!

Stapler

To clear a jammed staple from the discharge area:

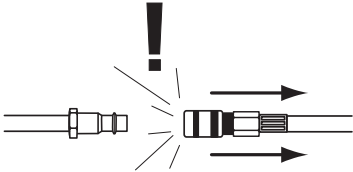
- DISCONNECT STAPLER FROM THE AIR SUPPLY!
- Unlatch and pull back the magazine pusher, then remove the remaining staples.
- Remove the jammed staple with needle nose pliers.
- Throw the damaged staple away and insert a new stick of staples that contains only clean, undamaged staples. DO NOT use dirty or damaged staples.

Replacing Pistons/ O-Rings

Under heavy use, a piston, piston shaft, or O-ring may wear out. Replacement is quick and easy. Contact Grizzly Customer Service at (800) 523-4777 to obtain the following Piston Repair Kits or the complete O-Ring Repair Kits.

Repair Kit	Part Number
Framing Nailer:	
Piston Repair Kit.....	PH8233092
O-Ring Repair Kit.....	PH8233093
Brad Nailer:	
Piston Repair Kit.....	PH8233159
O-Ring Repair Kit.....	PH8233160
Stapler:	
Piston Repair Kit.....	PH8236151
O-Ring Repair Kit.....	PH8236152

! WARNING



Always disconnect air from nailer/stapler whenever servicing! During maintenance, a nailer/stapler connected to air may fire accidentally, causing serious personal injury!

To replace a piston for your nailer or stapler:

1. DISCONNECT NAILER/STAPLER FROM THE AIR SUPPLY!
2. Remove all nails/staples from the magazine cartridge, and clean the exterior of the tool.

3. Remove the four cap screws on the back of the tool, near the exhaust port.
4. Remove the cap.
5. The top of the piston should now be visible inside the cylinder, which is housed in the head of the tool.
6. Watch the discharge area and push the top of the piston with your finger. You will see the piston shaft slide down the discharge area.
7. Taking care not to scratch or dent the nailer/stapler parts, use a wooden dowel or similarly shaped tool to push the piston shaft back inside the tool until you can grip the piston head and remove it from the cylinder. Clean and inspect the parts for cracks, wear, or burrs.
8. Apply a thin film of tool oil on the new O-ring and place it on the new piston.
9. Insert the new piston in the cylinder. Make sure that the grooves on the piston shaft line up with those on the guide at the bottom of the cylinder. The new piston should easily slide into the cylinder. **DO NOT force the piston into the cylinder!** If the piston is not easily inserted, double-check the alignment of the piston shaft with the grooves on the guide.
10. After the piston is inserted correctly, close the magazine. Replace the rear cap assembly and secure it with the four cap screws removed in **Step 3**.

Note: For more assistance, or to install a complete O-ring set, refer to the appropriate breakdown diagram in the back of this manual for component locations.

CLEANING & LUBRICATION

Cleaning

Use non-flammable solvent to clean the nose assembly of the nailer/stapler. Always be sure that the tool is dry before using it again.

Do not allow dust, chips, sand, etc. into the air connectors or into the body of the nailer/stapler; this may result in leaks and damage to the nailer and the air couplings.

⚠ WARNING



Never clean this tool with gasoline or other flammable liquids. Vapors in the tool may ignite, causing the tool to explode. Ignoring this warning may lead to serious personal injury or even death!

Lubricating

Standard pneumatic tool oil has been included with your new Grizzly nailer/stapler to help maintain its useful life. Place two to six drops of oil in the tool air inlet (as shown in **Figure 14**) before every use, or after 2 hours of continuous use.

Wipe off any excess oil near the exhaust port to avoid dust build-up. When the oil that was included with the nailer/stapler has been completely used, replace with Grizzly Model G2820 Pneumatic Tool Oil.

Another option to manual oiling would be to install a lubricator in your air compressor line. If your air compressor line already has a lubricator, then regular lubrication of your nailer/stapler will not be necessary. Just make sure there is always oil in the lubricator.

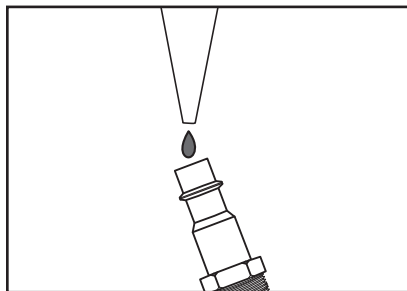
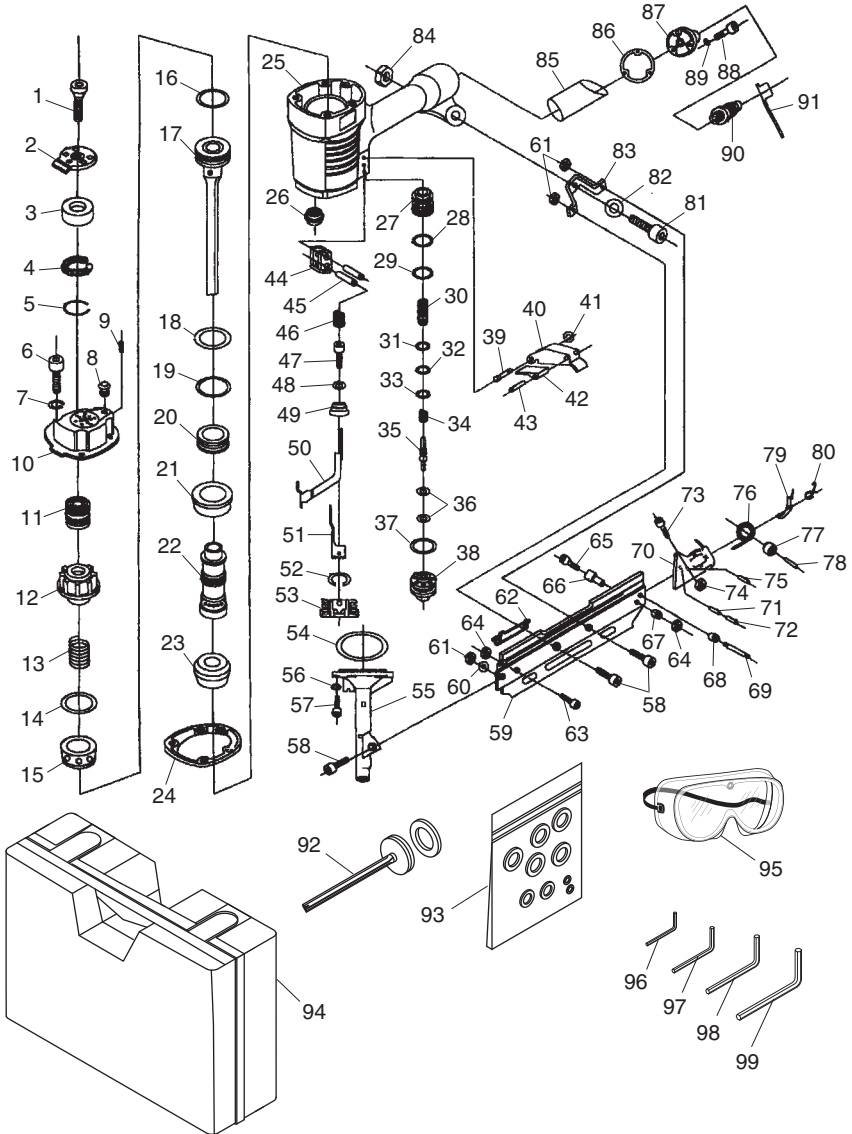


Figure 14. Lubricating nailer/stapler via air inlet.

H8233 PARTS

Framing Nailer Parts Breakdown

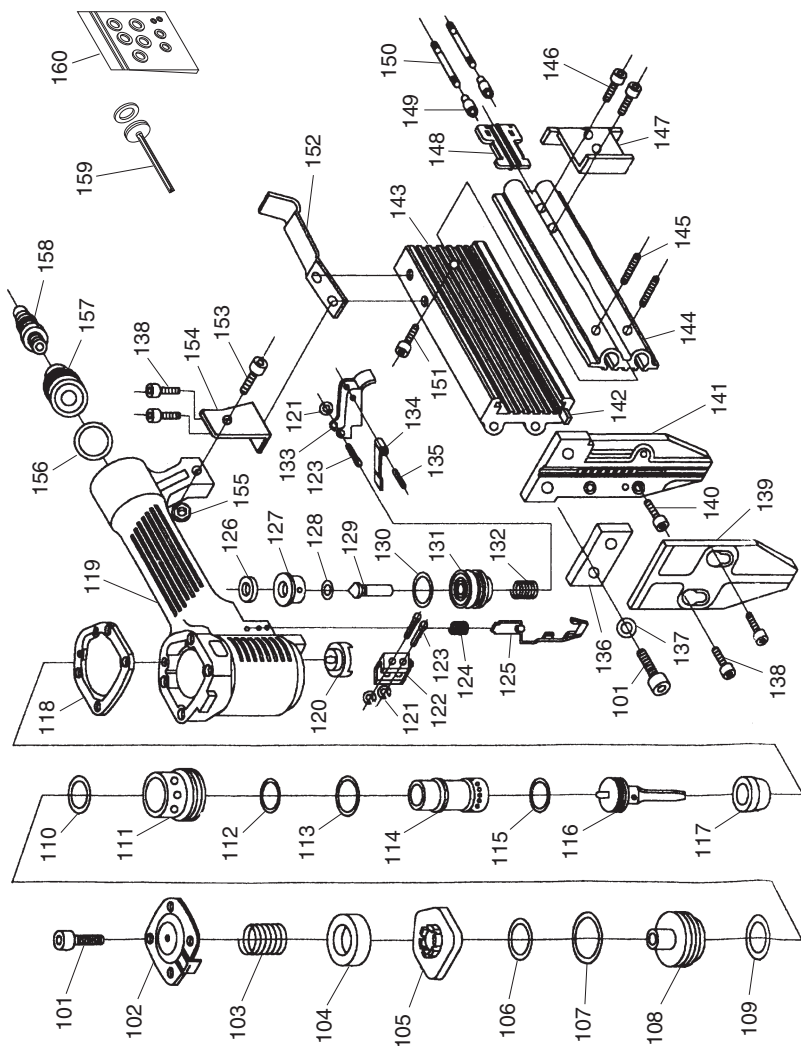


Framing Nailer Parts List

REF PART #	DESCRIPTION
1	PSB31M CAP SCREW M8-1.25 X 25
2	PH8233002 EXHAUST PORT
3	PH8233003 SPACER
4	PH8233004 CIRCULAR SPRING
5	PH8233005 RETAINING RING
6	PSB06M CAP SCREW M6-1 X 25
7	PLW03M LOCK WASHER 6MM
8	PH8233008 CYLINDER PLUG
9	PSS07M SET SCREW M5-.8 X 5
10	PH8233010 CYLINDER COVER
11	PH8233011 PISTON STOP
12	PH8233012 SPRING SEAT
13	PH8233013 COMPRESSION SPRING
14	PH8233014 SPECIAL WASHER
15	PH8233015 PISTON COLLAR
16	POR0079 O-RING 42.3 X 5
17	PH8233017 PISTON
18	PORG055 O-RING 54.4 X 3.1 G55
19	POR0080 O-RING 88 X 3
20	PH8233020 THREADED RETAINING RING
21	PH8233021 SEALING RING
22	PH8233022 CYLINDER
23	PH8233023 BUMPER
24	PH8233024 GASKET
25	PH8233025 NAILER BODY
26	PH8233026 SPACER
27	PH8233027 PISTON VALVE SEAT
28	PORP015 O-RING 14.8 X 2.4 P15
29	PORS018 O-RING 17.5 X 1.5 S18
30	PH8233030 PISTON VALVE
31	PORP006 O-RING 5.8 X 1.9 P6
32	PORP007 O-RING 6.8 X 1.9 P7
33	PORP009 O-RING 8.8 X 1.9 P9
34	PH8233034 COMPRESSION SPRING
35	PH8233035 TRIGGER SHAFT
36	PORS003 O-RING 2.5 X 1.5 S3
37	PORP020 O-RING 19.8 X 2.4 P20
38	PH8233038 TRIGGER SEAT
39	PH8233039 TRIGGER PIN
40	PH8233040 TRIGGER
41	PH8233041 RUBBER RETAINING RING
42	PH8233042 SAFETY CATCH
43	PRP02M ROLL PIN 3 X 16
44	PH8233044 SLIDING BRACKET
45	PRP16M ROLL PIN 3 X 25
46	PH8233046 COMPRESSION SPRING
47	PSB03M CAP SCREW M5-.8 X 8
48	PW02M FLAT WASHER 5MM
49	PH8233049 ADJUSTING NUT
50	PH8233050 SAFETY YOKE

REF PART #	DESCRIPTION
51	PH8233051 SAFETY NOSE
52	PH8233052 COPPER COLLAR
53	PH8233053 SAFETY NOSE CASE
54	PORS060 O-RING 59.5 X 2.0 S60
55	PH8233055 DRIVE GUIDE
56	PLW04M LOCK WASHER 8MM
57	PSB13M CAP SCREW M8-1.25 X 30
58	PSB26M CAP SCREW M6-1 X 12
59	PH8233059 MAGAZINE
60	PW03M FLAT WASHER 6MM
61	PN01M HEX NUT M6-1
62	PH8233062 PUSHER
63	PSB18M CAP SCREW M4-.7 X 8
64	PN04M HEX NUT M4-.7
65	PSB46M CAP SCREW M4-.7 X 40
66	PH8233066 SAFETY SHAFT
67	PH8233067 SAFETY SHAFT CASING
68	PH8233068 PIN CASING
69	PH8233069 PIN
70	PH8233070 PUSHER CATCH
71	PRP42M ROLL PIN 3 X 20
72	PRP03M ROLL PIN 5 X 20
73	PSB93M CAP SCREW M3-.5 X 14
74	PN07M HEX NUT M3-.5
75	PH8233075 PIN B4 X 30
76	PH8233076 TORSION SPRING
77	PH8233077 SPRING CORE
78	PH8233078 PIN B5 X 12
79	PH8233079 RELEASE LATCH
80	PH8233080 LATCH SPRING
81	PSB38M CAP SCREW M5-.8 X 25
82	PW02M FLAT WASHER 5MM
83	PH8233083 LATCH BRACKET
84	PN06M HEX NUT M5-.8
85	PH8233085 RUBBER GRIP
86	PH8233086 GASKET
87	PH8233087 END CAP
88	PSB15M CAP SCREW M5-.8 X 20
89	PLW01M LOCK WASHER 5MM
90	PH8233090 AIR FITTING 1/4 NPT
91	PH8233091 AIR FITTING DUST CAP
92	PH8233092 PISTON REPAIR KIT
93	PH8233093 O-RING REPAIR KIT
94	PH8233094 CARRYING CASE
95	PH8233095 SAFETY GOGGLES
96	PAW03M HEX WRENCH 3MM
97	PAW04M HEX WRENCH 4MM
98	PAW05M HEX WRENCH 5MM
99	PAW06M HEX WRENCH 6MM

Brad Nailer Parts Breakdown

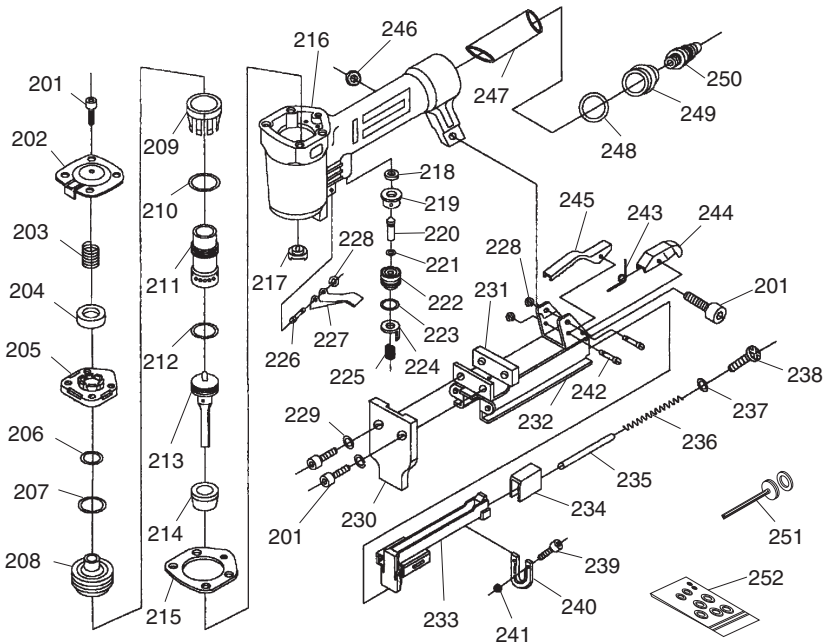


Brad Nailer Parts List

REF	PART #	DESCRIPTION
101	PSB15M	CAP SCREW M5-.8 X 20
102	PH8233102	EXHAUST PORT
103	PH8233103	COMPRESSION SPRING
104	PH8233104	SEAL
105	PH8233105	CYLINDER CAP
106	PORP014	O-RING 13.8 X 2.4 P14
107	PORS031-5	O-RING 31.0 X 2.0 S31.5
108	PH8233108	HEAD VALVE PISTON
109	PH8233109	PISTON STOP
110	PORS042	O-RING 2.0 X 41.5 S42
111	PH8233111	COLLAR
112	PORP025	O-RING 24.7 X 3.5 P25
113	PORS030	O-RING 29.5 X 2.0 S30
114	PH8233114	CYLINDER
115	PORP022-A	O-RING 21.7 X 3.5 P22A
116	PH8233116	MAIN PISTON
117	PH8233117	BUMPER
118	PH8233118	GASKET
119	PH8233119	GUN BODY
120	PH8233120	BUSHING
121	PEC16M	E-CLIP 2.5MM
122	PH8233122	BRACKET
123	PH8233123	STEP PIN
124	PH8233124	COMPRESSION SPRING
125	PH8233125	SAFETY NOSE
126	PH8233126	SEAL
127	PH8233127	TRIGGER VALVE HEAD
128	PORP003	O-RING 2.8 X 1.9 P3
129	PH8233129	TRIGGER VALVE STEM
130	PORP011-2	O-RING 11 X 2.4 P11.2

REF	PART #	DESCRIPTION
131	PH8233131	TRIGGER VALVE GUIDE
132	PH8233132	COMPRESSION SPRING
133	PH8233133	TRIGGER
134	PH8233134	SAFETY PLATE
135	PH8233135	ROLL PIN
136	PH8233136	SPACER
137	PLW01M	LOCK WASHER 5MM
138	PSB18M	CAP SCREW M4-.7 X 8
139	PH8233139	NOSE GUIDE COVER
140	PSB41M	CAP SCREW M4-.7 X 14
141	PH8233141	NOSE GUIDE
142	PH8233142	MAGAZINE SEAT
143	PH8233143	NAIL GUIDE LINER
144	PH8233144	MAGAZINE COVER
145	PSS23M	SET SCREW M4-.7 X 10
146	PSB23M	CAP SCREW M4-.7 X 12
147	PH8233146	BRACKET
148	PH8233148	PUSHER
149	PH8233149	PUSHER SHAFT
150	PH8233150	COMPRESSION SPRING
151	PSB23M	CAP SCREW M4-.7 X 12
152	PH8233152	MAGAZINE LATCH
153	PSB16M	CAP SCREW M4-.7 X 16
154	PH8233154	BRACKET
155	PN04M	HEX NUT M4-.7
156	PORP036	O-RING 35.7 X 3.5 P36
157	PH8233157	END CAP
158	PH8233158	AIR FITTING 1/4 NPT
159	PH8233159	PISTON REPAIR KIT
160	PH8233160	O-RING REPAIR KIT

Stapler Breakdown and Parts List



REF PART #	DESCRIPTION
201	PSB15M CAP SCREW M5-.8 X 20
202	PH8236102 EXHAUST PORT
203	PH8236103 COMPRESSION SPRING
204	PH8236104 SPACER
205	PH8236105 CYLINDER COVER
206	PORP011-2 O-RING 11 X 2.4 P11.2
207	PORP016 O-RING 15.8 X 2.4 P16
208	PH8236108 HEAD VALVE PISTON
209	PH8236109 COLLAR
210	POR0030 O-RING 30 X 3.1
211	PH8236111 CYLINDER
212	PORP018 O-RING 17.8 X 2.4 P18
213	PH8236113 MAIN PISTON
214	PH8236114 BUMPER
215	PH8236115 SEALING WASHER
216	PH8236116 GUN BODY
217	PH8236117 RUBBER WASHER
218	PH8236118 SPACER
219	PH8236119 TRIGGER VALVE RING
220	PH8236120 TRIGGER VALVE STEM
221	PORP003 O-RING 2.8 X 1.9 P3
222	PH8236122 TRIGGER VALVE GUIDE
223	PORP011-2 O-RING 11 X 2.4 P11.2
224	PH8236124 SAFETY RING
225	PH8236125 COMPRESSION SPRING
226	PH8236126 GROOVED CLEVIS PIN

REF PART #	DESCRIPTION
227	PH8236127 TRIGGER
228	PEC16M E-CLIP 2.5MM
229	PLW01M LOCK WASHER 5MM
230	PH8236130 DRIVER GUIDE
231	PH8236131 SPACER
232	PH8236132 MAGAZINE
233	PH8236133 MAGAZINE SLIDER
234	PH8236134 MAGAZINE PUSHER
235	PH8236135 SHAFT
236	PH8236136 COMPRESSION SPRING
237	PW05M FLAT WASHER 4MM
238	PS110M PHLIP HD SCR M4-.7 X 4
239	PSB18M CAP SCREW M4-.7 X 8
240	PH8236140 BRACKET
241	PN04M HEX NUT M4-.7
242	PH8236142 GROOVED CLEVIS PIN
243	PH8236143 TORSION SPRING
244	PH8236144 MAGAZINE LATCH
245	PH8236145 MAGAZINE LATCH LEVER
246	PN06M HEX NUT M5-.8
247	PH8236147 RUBBER HAND GRIP
248	PORS035-5 O-RING 35.0 X 2.0 S35.5
249	PH8236149 END CAP
250	PH8236150 AIR INLET QUICK CONNECT
251	PH8236151 PISTON REPAIR KIT
252	PH8236152 O-RING REPAIR KIT

TROUBLESHOOTING

Symptom	Possible Cause	Solution
Air leaking at trigger valve area.	1. O-rings in trigger valve housing are damaged.	1. O-rings must be replaced & operation of safety nose must be checked.
Air leaking.	1. Loose screws in housing. 2. Damaged O-ring(s). 3. Loose air fitting. 4. Damaged housing gasket(s).	1. Tighten screws. 2. Replace O-ring(s). 3. Tighten air fitting & use teflon tape. 4. Replace gasket(s).
Tool skips nails/staples while discharging.	1. Excessive air pressure. 2. Air leaks. 3. Dirt in nose. 4. Dirt or damage prevents nails /staples from moving freely in magazine. 5. Inadequate air flow to tool. 6. Worn O-ring on piston or lack of lubrication. 7. Damaged O-rings on trigger valve. 8. Worn bumper. 9. Cap seal leaking.	1. Reduce air pressure to tool. 2. Tighten screws and fittings. 3. Clean nose. 4. Clean magazine and inspect/repair damage. 5. Check air fitting, hose, compressor & air pressure. 6. Replace piston O-ring. Lubricate. 7. Replace trigger valve O-rings. 8. Replace bumper. 9. Replace cap seal.
Tool runs slowly or has a loss of power.	1. Undersized air hose. 2. Nailerstapler is not lubricated. 3. Broken spring in cap assembly. 4. Exhaust port in cap is blocked. 5. Air pressure too low.	1. Use a larger air hose. 2. Lubricate tool. 3. Replace spring. 4. Clean or replace damaged internal parts. 5. Increase air pressure.
Fasteners frequently jam the nailer/stapler.	1. Nails/staples are the wrong size. 2. Nails/staples are bent or dirty. 3. Magazine or nose screws are loose. 4. Driver or driver guide are worn or damaged.	1. Use correct nails/staples. 2. Use undamaged, clean nails/staples. 3. Tighten magazine. 4. Replace worn or damaged parts.
Tool does not fire.	1. Tool is not lubricated. 2. Nail/staple is jammed in magazine or discharge area. 3. Piston shaft is damaged. 4. Air pressure too low.	1. Lubricate tool. 2. Clear nail/staple from magazine or discharge area. 3. Replace piston shaft. 4. Check/increase air pressure.

WARRANTY AND RETURNS

Grizzly Industrial, Inc. warrants every product it sells for a period of **1 year** to the original purchaser from the date of purchase. This warranty does not apply to defects due directly or indirectly to misuse, abuse, negligence, accidents, repairs or alterations or lack of maintenance. This is Grizzly's sole written warranty and any and all warranties that may be implied by law, including any merchantability or fitness, for any particular purpose, are hereby limited to the duration of this written warranty. We do not warrant or represent that the merchandise complies with the provisions of any law or acts unless the manufacturer so warrants. In no event shall Grizzly's liability under this warranty exceed the purchase price paid for the product and any legal actions brought against Grizzly shall be tried in the State of Washington, County of Whatcom.

We shall in no event be liable for death, injuries to persons or property or for incidental, contingent, special, or consequential damages arising from the use of our products.

To take advantage of this warranty, contact us by mail or phone and give us all the details. We will then issue you a "Return Authorization Number," which must be clearly posted on the outside as well as the inside of the carton. We will not accept any item back without this number. Proof of purchase must accompany the merchandise.

The manufacturers reserve the right to change specifications at any time because they constantly strive to achieve better quality equipment. We make every effort to ensure that our products meet high quality and durability standards and we hope you never need to use this warranty.

Please feel free to write or call us if you have any questions about the machine or the manual.

Grizzly Industrial, Inc.
1203 Lycoming Mall Circle
Muncy, PA 17756
Phone: (570) 546-9663
Fax: (800) 438-5901

E-Mail:
techsupport@grizzly.com

Web Site: <http://www.grizzly.com>

Thank you again for your business and continued support. We hope to serve you again soon!

Free Manuals Download Website

<http://myh66.com>

<http://usermanuals.us>

<http://www.somanuals.com>

<http://www.4manuals.cc>

<http://www.manual-lib.com>

<http://www.404manual.com>

<http://www.luxmanual.com>

<http://aubethermostatmanual.com>

Golf course search by state

<http://golfingnear.com>

Email search by domain

<http://emailbydomain.com>

Auto manuals search

<http://auto.somanuals.com>

TV manuals search

<http://tv.somanuals.com>