

Grizzly **Industrial, Inc.**®

18 GAUGE STAPLER KIT

MODEL H7677

INSTRUCTION MANUAL



COPYRIGHT © AUGUST, 2005 BY GRIZZLY INDUSTRIAL, INC.
**WARNING: NO PORTION OF THIS MANUAL MAY BE REPRODUCED IN ANY SHAPE
OR FORM WITHOUT THE WRITTEN APPROVAL OF GRIZZLY INDUSTRIAL, INC.**
#BL7292 PRINTED IN CHINA

SECTION 1: SAFETY

WARNING

For Your Own Safety Read Instruction Manual Before Operating This Equipment

The purpose of safety symbols is to attract your attention to possible hazardous conditions. This manual uses a series of symbols and signal words which are intended to convey the level of importance of the safety messages. The progression of symbols is described below. Remember that safety messages by themselves do not eliminate danger and are not a substitute for proper accident prevention measures.



Indicates an imminently hazardous situation which, if not avoided, WILL result in death or serious injury.



Indicates a potentially hazardous situation which, if not avoided, COULD result in death or serious injury.



Indicates a potentially hazardous situation which, if not avoided, MAY result in minor or moderate injury. It may also be used to alert against unsafe practices.

NOTICE

This symbol is used to alert the user to useful information about proper operation of the equipment.

WARNING

Safety Instructions for Pneumatic Tools

1. **KEEP ALL SAFETY DEVICES IN PLACE** and in working order.
2. **REMOVE ADJUSTING KEYS AND WRENCHES.** Form habit of checking to see that keys and adjusting wrenches are removed from tool before operation.
3. **KEEP WORK AREA CLEAN.** Cluttered areas and benches invite accidents.
4. **DO NOT USE IN DANGEROUS ENVIRONMENT.** Do not use pneumatic tools in damp or wet locations, or where any flammable or noxious fumes may exist. Keep work area well lighted.
5. **KEEP CHILDREN AND VISITORS AWAY.** All children and visitors should be kept at a safe distance from work area.
6. **MAKE WORKSHOP CHILD PROOF** by locking your shop and shutting off air valves.
7. **DO NOT FORCE TOOL.** It will do the job better and safer at the rate for which it was designed.
8. **USE THE RIGHT TOOL.** Do not force tool or attachment to do a job for which it was not designed.
9. **DO NOT USE UNDER THE INFLUENCE OF DRUGS OR ALCOHOL.**

WARNING

Safety Instructions for Pneumatic Tools

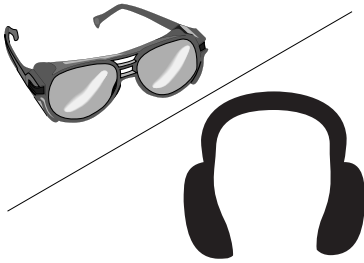
10. **USE PROPER AIR HOSE** for the tool. Make sure your air hose is in good condition and is long enough to reach your work without stretching.
11. **WEAR PROPER APPAREL.** Do not wear loose clothing, gloves, neckties, rings, bracelets, or other jewelry which may get caught in moving parts. Non-slip footwear is recommended. Wear a protective hair covering to contain long hair.
12. **ALWAYS USE SAFETY GLASSES.** Also use a face or dust mask if cutting operation is dusty. Everyday eyeglasses only have impact resistant lenses, they are NOT safety glasses.
13. **WEAR APPROVED HEARING PROTECTION.** Air escaping from pneumatic tools can exceed safe exposure limits and may cause hearing damage with prolonged exposure.
14. **SECURE WORK.** Use clamps or a vise to hold work when practical. It is safer than using your hand and frees both hands to operate tool.
15. **MAINTAIN TOOLS WITH CARE.** Keep tools lubricated and clean for best and safest performance. Follow instructions for lubricating and changing accessories.
16. **REDUCE THE RISK OF UNINTENTIONAL FIRING.** Do not carry tool with hand on trigger and always disconnect from air when not in use.
17. **DISCONNECT TOOLS** before servicing, changing accessories, or moving to another location.
18. **DO NOT OVERREACH.** Keep proper footing/balance at all times.
19. **USE THE RECOMMENDED ACCESSORIES.** Consult owner's manual for recommended accessories. The use of improper accessories may cause risk of injury.
20. **CHECK FOR DAMAGED PARTS BEFORE USING.** Check for binding and alignment of parts, broken parts, part mounting, loose bolts, and any other conditions that may affect machine operation. Repair or replace damaged parts.
21. **NEVER LEAVE UNATTENDED TOOL CONNECTED TO AIR.** Disconnect the air hose and do not leave tool until it is relieved of any built up pressure.
22. **NEVER ALLOW UNTRAINED USERS TO USE THIS TOOL WHILE UNSUPERVISED.**
23. **IF YOU ARE UNSURE OF THE INTENDED OPERATION, STOP USING TOOL.** Seek formal training or research books or magazines that specialize in pneumatic tools.
24. **BE AWARE OF HOSE LOCATION WHEN USING PNEUMATIC TOOLS.** Hoses can easily become a tripping hazard when laid across the floor or spread out in a disorganized fashion.

WARNING

Additional Safety Instructions for Staplers

- 1. HAND INJURIES.** Do not place your hands near the staple point of entry. A staple can deflect and tear through the surface of the workpiece, puncturing your hand or fingers.
- 2. COMBUSTIBLE GASES.** Never connect the stapler to pressurized oxygen or other combustible gases as a power source. Only use filtered, lubricated, and regulated compressed air.
- 3. SAFE HANDLING.** Never point the stapler at others! Do not keep the trigger pulled when loading fasteners, carrying, or holding tool. Carry the stapler only by the handle, never by any other part. Do not carry the stapler by the air hose. Disconnect the stapler from the air hose when going up and down ladders.
- 4. CLEANING.** Never use gasoline or other flammable liquids to clean the stapler; vapors in the stapler will ignite by a spark and cause it to explode.
- 5. HOSE USAGE.** Make sure your air hose is designed for the tool in use, is in good condition, and is long enough to reach your work without stretching. However, an overly long air hose in the work area may be a tripping hazard.
- 6. OPERATING QUESTIONS.** If you are not sure about the intended operation, stop using the stapler. Seek formal training or research books or magazines that specialize in pneumatic tools.
- 7. MAINTENANCE.** Always disconnect air from the stapler when servicing or installing staples. During maintenance, a stapler connected to air may fire accidentally, causing serious personal injury.
- 8. COMPRESSED AIR RATING.** Do not connect the stapler to compressed air that exceeds 120 PSI.
- 9. CHECK VALVE.** Do not use a check valve or any other fitting that allows air to remain in the tool.

⚠️ WARNING



Operating this stapler can propel objects into the air, causing immediate eye damage. To protect yourself, always wear American National Standards Institute (ANSI) approved safety glasses or goggles when operating this equipment. In addition, this stapler discharges at 82 decibels. To protect your hearing, always wear ANSI approved ear protection when operating this stapler.

⚠️ WARNING

Never point this stapler at yourself or another person! Always pay attention to the direction this stapler is pointed. Use this tool with respect and caution to lessen the possibility of operator or bystander injury. Ignoring this warning may result in serious personal injury.

⚠️ CAUTION

Stapler accidents routinely happen while moving the gun to another location, such as up ladders, to another room, or even another job site. Always disconnect the gun immediately after use and never transport the gun while connected to the air—even if the air compressor is disconnected from its power source!

⚠️ CAUTION

No list of safety guidelines can be complete. Every shop environment is different. Always consider safety first, as it applies to your individual working conditions. Use this and other tools with caution and respect. Failure to do so could result in serious personal injury, damage to equipment or poor work results.

SECTION 2: INTRODUCTION

Foreword

We are proud to offer the Grizzly Model H7677 18 Gauge Stapler Kit. This model is part of a growing Grizzly family of fine pneumatic tools. When used according to the guidelines set forth in this manual, you can expect years of trouble-free, enjoyable operation and proof of Grizzly's commitment to customer satisfaction.

This stapler features 360° adjustable exhaust, a top-loading magazine, a safety trigger and a durable plastic carrying case.

The specifications, details, and photographs in this manual represent the Model H7677 as supplied when the manual was prepared. However, owing to Grizzly's policy of continuous improvement, changes may be made at any time with no obligation on the part of Grizzly.

Tool Data

Staple Size 18 Gauge
Staple Length 1/2"-1"
Staple Crown 1/4"
Magazine Capacity 100 Staples
Air Inlet 1/4" NPT
Weight 2 lbs.
Operating Pressure 60-100 PSI

Contact Info

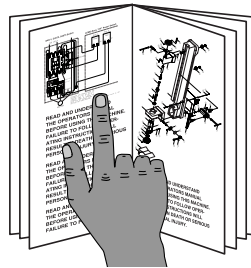
If you have any comments regarding this manual, please write to us at the following address:

Grizzly Industrial, Inc.
C/O Technical Documentation Manager
P.O. Box 2069
Bellingham, WA 98227-2069

Most importantly, we stand behind our tools. If you have any service questions or parts requests, please call or write us at the location listed below.

Grizzly Industrial, Inc.
1203 Lycoming Mall Circle
Muncy, PA 17756
Phone: (570) 546-9663
Fax: (800) 438-5901
E-Mail: techsupport@grizzly.com
Web Site: <http://www.grizzly.com>

WARNING



Read the manual before operation. Become familiar with this stapler, its safety instructions, and its operation before beginning any work. Serious personal injury may result if safety or operational information is not understood or followed.

SECTION 3: SET UP

Unpacking

Your Model H7677 stapler kit left our warehouse in a carefully packed box. If you discover the stapler is damaged after you have signed for delivery, *please immediately call Customer Service at (570) 546-9663 for advice.*

Save the containers and all packing materials for possible inspection by the carrier or its agent. *Otherwise, filing a freight claim can be difficult.*

When you are completely satisfied with the condition of the shipment, you should inventory the equipment.

Inventory

After you open the stapler box, you should find the following.

Model H7677 Inventory (Figure 1)

A.	H7677 18 Gauge Stapler	1
B.	Safety Goggles	1
C.	Pneumatic Tool Oil	1
D.	Hex Wrench 3mm	1
E.	Hex Wrench 4mm	1
F.	$\frac{3}{4}$ " Staple Sticks	2
G.	Carrying Case	1

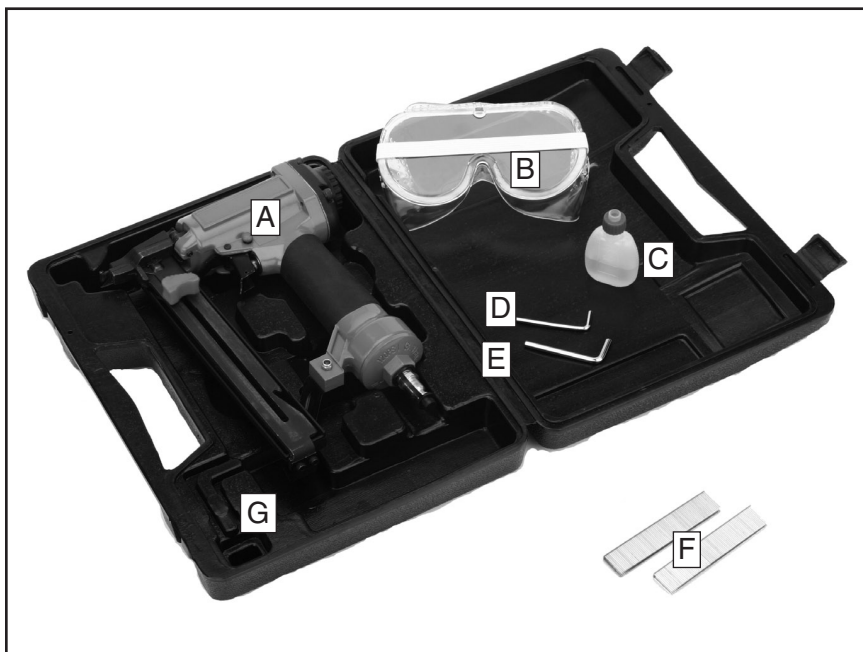


Figure 1. Model H7677 inventory.

Compressed Air System

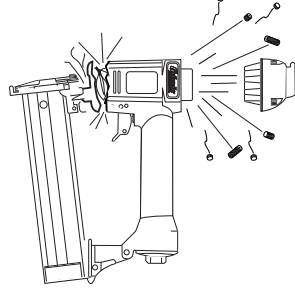
The Model H7677 is designed to be operated at 60-100 PSI using clean, dry, regulated, compressed air. **DO NOT exceed the 120 PSI maximum operating pressure for your model.**

Before using your new stapler, regulate the air pressure on your air compressor to the minimum PSI for your model.

An in-line filter/lubricator/regulator unit, depicted in **Figure 2**, can be installed and should be located as close to the stapler as possible.

This filter/lubricator/regulator unit will protect your tool from damaging water build-up, allow you to adjust and maintain constant air pressure to your tool, and save you the inconvenience of having to manually lubricate your tool every time you use it.

⚠ WARNING



Exceeding the maximum permissible operating pressure may cause the stapler to explode, blowing metal fragments in all directions. To protect yourself from serious personal injury, DO NOT allow your air compressor to exceed the recommended pressure when connected to this stapler!

Check the current Grizzly catalog for availability of this unit. If you plan on installing a filter/lubricator/regulator unit in your compressed air system, always follow the connection instructions that come with the unit.

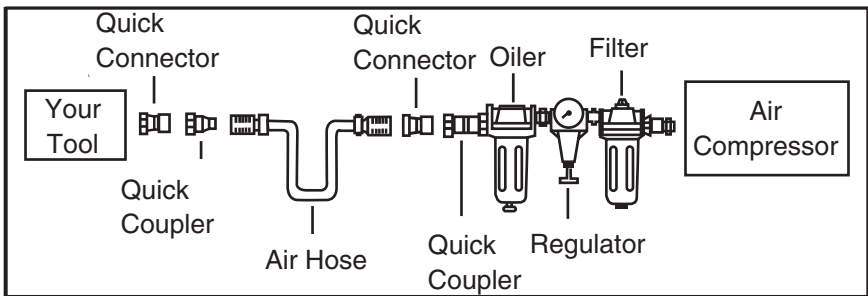


Figure 2. Typical filter/lubricator/regulator installation order.

Safety Yoke

A safety yoke mechanism (bump fire) on the nose of the stapler acts as a safety device. When the trigger is pulled, the stapler will not fire until the safety yoke mechanism is depressed.

Before you use your stapler for the first time, check the safety yoke mechanism to ensure proper function. To do this:

1. **DISCONNECT STAPLER FROM THE AIR SUPPLY!**
2. Make sure the magazine is empty and contains no staples.
3. Make sure the trigger and the safety yoke mechanism move up and down without sticking.
4. Connect the stapler to the air supply.

WARNING

The safety yoke is a mechanical device that can fail. Never rely on the safety yoke mechanism as an excuse to point the stapler at yourself or any bystanders. Serious injury may occur.

5. **Without pulling the trigger**, depress the safety yoke mechanism against a scrap piece of wood that is clean and free of any knots, nails, or other foreign objects.

- If the stapler does not fire, then the safety yoke mechanism is working correctly.
- If the stapler **does fire** when you do this, immediately disconnect the stapler from the air supply and call Grizzly Technical Support at (570) 546-9663 for help.
- If the stapler fires when the trigger is pulled, without the safety yoke mechanism being depressed, disconnect the stapler from the air supply and call Grizzly Technical Support at (570) 546-9663 for help.
- If the stapler is not working properly, check the lubrication of the sliding mechanisms of the safety yoke, and immediately discontinue using the stapler.

SECTION 4: OPERATIONS

Loading

When replacing staples in your Model H7677, follow these guidelines:

Gauge: 18
Length: ½"-1"
Capacity: 100
Crown: ¼"

To load your stapler:

1. **DISCONNECT STAPLER FROM THE AIR SUPPLY!**
2. Grip the stapler firmly, and pull the magazine pusher back until it latches in the groove as shown in **Figure 3**.

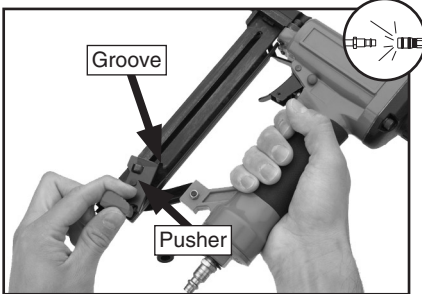


Figure 3. Latching pusher in groove.

3. Insert a stick of staples, pointed-end down, into the magazine as shown in **Figure 4**.

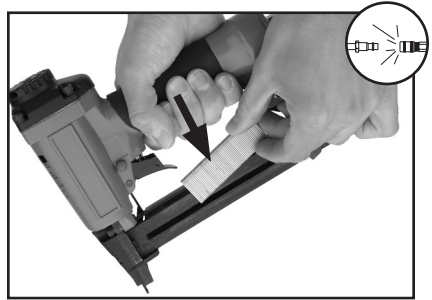


Figure 4. Loading staples into magazine.

4. Slide the staples all the way down to the nose of the stapler.
5. Release the magazine pusher by pulling back and up. Gently slide the pusher forward; do not let the pusher snap against the staple stick.

Operating

If you have not read the safety instructions in this manual, do not operate the stapler.

Before you operate your stapler, place two to three drops of the included pneumatic tool oil into the quick connect fitting where the stapler connects to the air supply. Fire the EMPTY stapler 3-4 times before beginning, so oil does not come out onto the project during regular operation.

To operate your stapler:

1. Connect the air supply to the quick connect fitting.
2. To test for proper staple penetration, hold the stapler perpendicular to the surface of a piece of clean scrap wood that is thick enough for the length of staples you have loaded.

H7677 18 Gauge Stapler Kit

3. Depress the safety yoke mechanism on your workpiece.
4. Before pulling the trigger, make sure your free hand and other body parts are positioned out of the way of a potential path of a staple in case of deflection.

Deflection is caused when grain irregularities, knots or foreign objects inside the wood cause the staple to change its path, resulting in the staple puncturing the surface of the workpiece, as shown in **Figure 5**.

Besides damaging your workpiece, deflection can cause injury if your free hand is securing the workpiece in the location that the staple deflects.

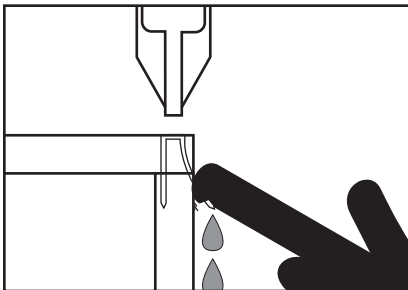


Figure 5. Example of staple deflection.

5. Pull the trigger.

- If the staple drove into the wood far enough, continue with your intended operations.
- If the staple either went too far or not far enough, then adjust the air pressure. More air pressure will make the staple go deeper and less air pressure will decrease the staple penetration.

Single/Bump Fire Operation

The stapler is designed to fire one staple at a time, or one after another, using the trigger switch. This is known as "bump fire."

To operate your stapler in single fire mode:

1. Push the trigger switch **OUT**, as shown in **Figure 6**.



Figure 6. Trigger switch, single fire mode.

2. Depress the safety yoke mechanism against the workpiece.
3. Pull the trigger, then remove your finger from the trigger after the staple is driven.

To operate your stapler in bump fire mode:

1. Push the trigger switch IN (**Figure 7**).



Figure 7. Trigger switch, bump fire mode.

2. Pull the trigger.
3. Press the safety yoke mechanism against your workpiece and raise it after the staple is driven.
4. Hold the trigger and repeat **Step 3** to drive more staples.

Clearing Jammed Staples

A jammed staple must be cleared before using the stapler again. The two places where a staple can get jammed are the magazine and the discharge area.

To clear a jammed staple from the discharge area:

1. **DISCONNECT STAPLER FROM THE AIR SUPPLY!**
2. Pull back and latch the magazine.
3. Remove the staple from the magazine.

4. Loosen the cap screws shown in **Figure 8** and remove the nose cover.

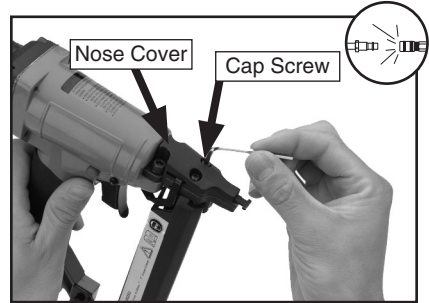


Figure 8. Loosening cap screws on cover.

5. Remove the jammed staple with needle nose pliers.
6. Secure the safety cover with the cap screws removed in **Step 4**.
7. Throw the damaged staple away.
8. Inspect the staple stick. If it is bent or damaged, insert a new staple stick that only contains clean, undamaged staples. **DO NOT** use dirty or damaged staples!
9. Latch the magazine closed.

Replacing Pistons/O-Rings

If you use your stapler day in and day out, repair pistons are cheap insurance against wasted down time and lost profits, in the event that a piston or piston shaft becomes worn out. A replacement piston and O-ring kit, part PH7677069, may be purchased for the Model H7677.



To replace a piston:

1. **DISCONNECT STAPLER FROM THE AIR SUPPLY!**
2. Remove all staples from the magazine.
3. Remove the four cap screws on the head of the stapler, near the exhaust port, and remove the cap.
5. The top of the piston should now be visible inside the cylinder, which is housed in the head of the stapler.

6. Open the nose cover as if to clear a jammed staple.
7. Watch the discharge area and push the top of the piston with your finger. You will see the piston shaft slide down the discharge area.
8. With a long flathead screwdriver or similarly shaped tool, push the piston shaft back inside the stapler until you can grip the piston head and remove it from the cylinder. (Be careful not to scratch the discharge area when pushing the piston shaft with the screwdriver.)
9. Place a new O-ring on the new piston and apply a thin film of the stapler lubricating oil on the O-ring.
10. Insert the new piston in the cylinder. Make sure that the grooves on the piston shaft line up with those on the guide at the bottom of the cylinder. The new piston should easily slide into the cylinder. **DO NOT force the piston into the cylinder!** If the piston is not easily inserted, double-check the alignment of the piston shaft with the grooves on the guide.
11. After the piston is inserted correctly, close the magazine pusher. Replace the rear cap assembly and tighten the 4 cap screws.
12. For more assistance, or to install a complete O-ring set, refer to the appropriate breakdown diagram in the back of this manual for component locations.

SECTION 5: MAINTENANCE

Cleaning

Use a good solvent to clean the nose assembly of the stapler. Always be sure that the stapler is dry before using it again.

Do not allow dust, chips, sand, etc. into the air connectors or into the body of the stapler; this may result in leaks and damage to the stapler and the air couplings.

! WARNING



GAS

Never use gasoline or other flammable liquids to clean this tool. Vapors in the tool may ignite, causing the tool to explode. Ignoring this warning may lead to serious personal injury or even death!

Lubricating

Special oil has been included with your new Grizzly stapler to help maintain its useful life. Place two to three drops of oil in the stapler air inlet (as shown in **Figure 9**) before every use, or after 2 hours of continuous use.

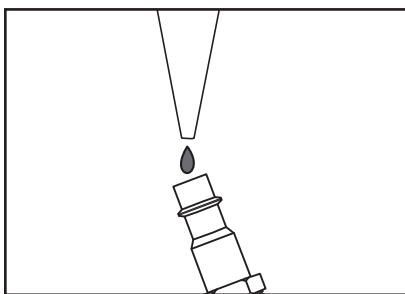
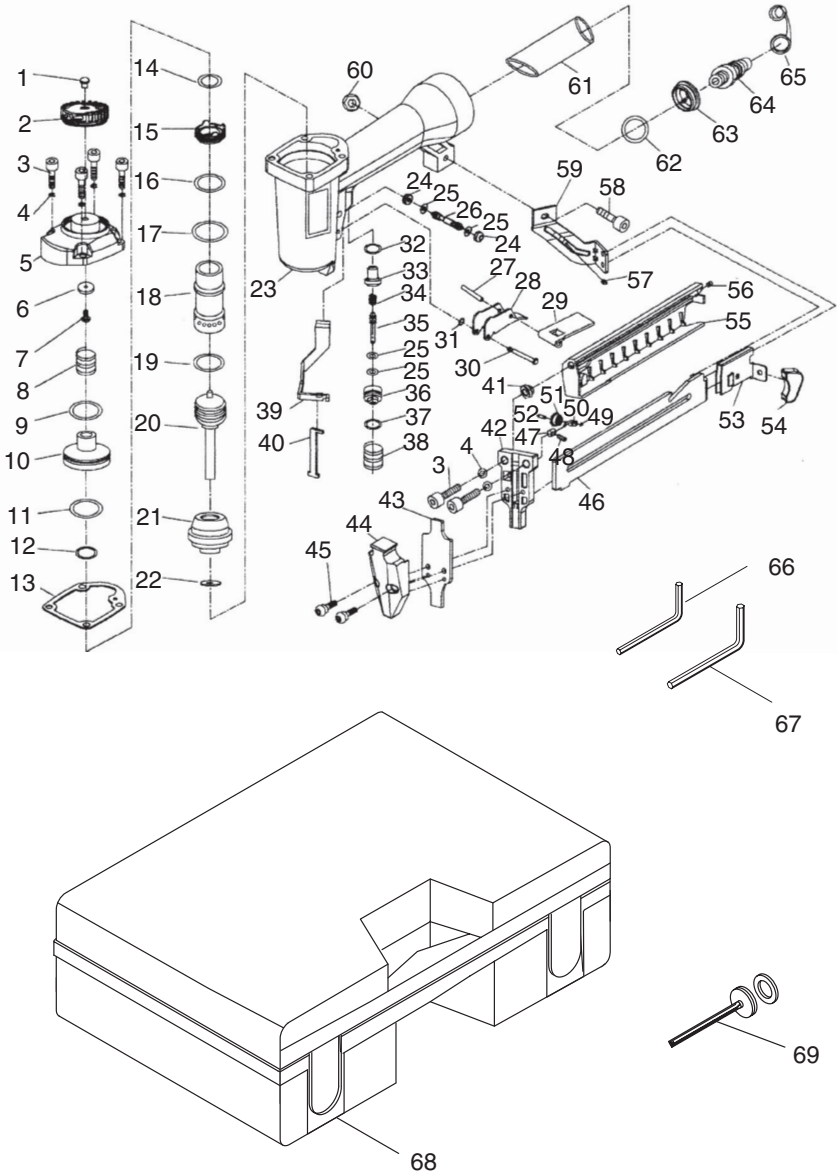


Figure 9. Lubricating stapler via air inlet.

Wipe off any excess oil near the stapler exhaust to avoid dust build-up. When the oil that was included with the stapler has been completely used, replace with Grizzly Model G2820 Pneumatic Tool Oil.

Another option to manual oiling would be to install a lubricator in your air compressor line. If your air compressor line already has a lubricator, then regular lubrication of your stapler will not be necessary. Just make sure there is always oil in the lubricator.

H7677 Parts Breakdown



H7677 Parts List

REF PART #	DESCRIPTION	REF PART #	DESCRIPTION		
1	PH7677001	SPECIAL SCREW	36	PH7677036	TRIGGER VALVE GUIDE
2	PH7677002	AIR DEFLECTOR	37	PH7677037	O-RING 11.2 X 2
3	PSB15M	CAP SCREW M5-.8 X 20	38	PH7677038	COMPRESSION SPRING
4	PLW01M	LOCK WASHER 5MM	39	PH7677039	SAFETY STAND
5	PH7677005	CYLINDER COVER	40	PH7677040	SAFETY NOSE
6	PH7677006	BUMPER WASHER	41	PH7677041	FIXED RING
7	PS12M	PHLP HD SCR M3-.5 X 6	42	PH7677042	DRIVE GUIDE
8	PH7677008	COMPRESSION SPRING	43	PH7677043	COVER PLATE
9	PH7677009	O-RING 14.7 X 2.4	44	PH7677044	SAFETY COVER
10	PH7677010	SWITCH VALVE	45	PH7677045	SPCL CAP SCR M4-.7 X 8
11	PH7677011	O-RING 33 X 2.1	46	PH7677046	MAGAZINE
12	PH7677012	BUMPER WASHER	47	PH7677047	TALL STOPPER
13	PH7677013	SEALING GASKET	48	PH7677048	SET SCREW M3-.5 X 8
14	PH7677014	O-RING 44 X 1.8	49	PH7677049	SNAP RETAINER
15	PH7677015	COLLAR	50	PH7677050	COMPRESSION SPRING
16	PH7677016	O-RING 30 X 1.8	51	PH7677051	SPRING SEAT
17	PH7677017	O-RING 29.7 X 3.55	52	PH7677052	SPRING PIN
18	PH7677018	CYLINDER	53	PH7677053	PUSHER
19	PH7677019	O-RING 21 X 3	54	PH7677054	LEVER
20	PH7677020	MAIN PISTON	55	PH7677055	DRIVE NAIL PLATE
21	PH7677021	BUMPER	56	PSB110M	CAP SCREW M4-.7 X 6
22	PH7677022	SEALING WASHER	57	PH7677057	COMPRESSION SPRING
23	PH7677023	GUN BODY	58	PSB16M	CAP SCREW M4-.7 X 16
24	PH7677024	SHIFT CAP	59	PH7677059	TALL STOPPER
25	PH7677025	O-RING 2 X 1.5	60	PLN01M	LOCK NUT M4-.7
26	PH7677026	SHIFT LEVER	61	PH7677061	RUBBER HANDLE CASE
27	PRP02M	ROLL PIN 3 X 16	62	PH7677062	O-RING
28	PH7677028	TRIGGER	63	PH7677063	END CAP
29	PH7677029	SAFETY SPACE	64	PH7677064	1/4" NPT MALE CONNECT
30	PH7677030	STEP PIN	65	PH7677065	AIR PLUG COVER
31	PH7677031	O-RING 2 X 2.5	66	PAW03M	HEX WRENCH 3MM
32	PH7677032	O-RING 9 X 1.8	67	PAW04M	HEX WRENCH 4MM
33	PH7677033	TRIGGER VALVE SEAT	68	PH7677068	CARRYING CASE
34	PH7677034	COMPRESSED SPRING	69	PH7677069	PISTON REPAIR KIT
35	PH7677035	TRIGGER VALVE STEM			

TROUBLESHOOTING

Symptom	Possible Cause	Solution
Air leaking at trigger valve area.	1. O-rings in trigger valve housing are damaged.	1. O-rings must be replaced & operation of safety yoke must be checked.
Air leaking between housing and hose.	1. Loose screws in housing. 2. Damaged O-ring. 3. Loose air fitting.	1. Tighten screws. 2. Replace O-ring. 3. Tighten air fitting & use teflon tape.
Air leaking between housing and cap assembly.	1. Damaged seal.	1. Replace damaged seals.
Tool skips staples while discharging.	1. Air leaks. 2. Dirt in nose. 3. Dirt or damage prevents staples from moving freely in magazine. 4. Inadequate air flow to tool. 5. Worn O-ring on piston or lack of lubrication. 6. Damaged O-rings on trigger valve. 7. Worn bumper. 8. Cap seal leaking.	1. Tighten screws and fittings. 2. Clean nose. 3. Clean magazine and inspect/repair damage. 4. Check fitting, hose, compressor & air pressure. 5. Replace piston O-ring. Lubricate. 6. Replace trigger valve O-rings. 7. Replace bumper. 8. Replace cap seal.
Tool runs slowly or has a loss of power.	1. Stapler is not sufficiently lubricated. 2. Broken spring in cap assembly. 3. Exhaust port in cap is blocked.	1. Lubricate stapler. 2. Replace spring. 3. Clean or replace damaged internal parts.
Fasteners frequently jam the stapler.	1. Staples are the wrong size. 2. Stapler is not sufficiently lubricated. 3. Staples are bent or dirty. 4. Magazine or nose screws are loose. 5. Driver or driver guide are worn or damaged.	1. Use correct staples. 2. Lubricate stapler. 3. Use undamaged, clean staples. 4. Tighten magazine. 5. Replace worn or damaged parts.
Stapler does not fire.	1. Staple is jammed in magazine or discharge area. 2. Piston shaft is damaged. 3. Air pressure too low.	1. Clear stapler magazine or discharge area. 2. Replace piston shaft. 3. Check/increase air pressure.

WARRANTY AND RETURNS

Grizzly Industrial, Inc. warrants every product it sells for a period of **1 year** to the original purchaser from the date of purchase. This warranty does not apply to defects due directly or indirectly to misuse, abuse, negligence, accidents, repairs or alterations or lack of maintenance. This is Grizzly's sole written warranty and any and all warranties that may be implied by law, including any merchantability or fitness, for any particular purpose, are hereby limited to the duration of this written warranty. We do not warrant or represent that the merchandise complies with the provisions of any law or acts unless the manufacturer so warrants. In no event shall Grizzly's liability under this warranty exceed the purchase price paid for the product and any legal actions brought against Grizzly shall be tried in the State of Washington, County of Whatcom.

We shall in no event be liable for death, injuries to persons or property or for incidental, contingent, special, or consequential damages arising from the use of our products.

To take advantage of this warranty, contact us by mail or phone and give us all the details. We will then issue you a "Return Authorization Number," which must be clearly posted on the outside as well as the inside of the carton. We will not accept any item back without this number. Proof of purchase must accompany the merchandise.

The manufacturers reserve the right to change specifications at any time because they constantly strive to achieve better quality equipment. We make every effort to ensure that our products meet high quality and durability standards and we hope you never need to use this warranty.

Please feel free to write or call us if you have any questions about the machine or the manual.

Grizzly Industrial, Inc.
1203 Lycoming Mall Circle
Muncy, PA 17756
Phone: (570) 546-9663
Fax: (800) 438-5901

E-Mail:
techsupport@grizzly.com

Web Site: <http://www.grizzly.com>

Thank you again for your business and continued support. We hope to serve you again soon!



WARRANTY CARD

Name _____

Street _____

City _____ State _____ Zip _____

Phone # _____ Email _____ Invoice # _____

Model # _____ Order # _____ Serial # _____

*The following information is given on a voluntary basis. It will be used for marketing purposes to help us develop better products and services. **All information is strictly confidential.***

1. How did you learn about us?

Advertisement Friend Catalog
 Card Deck Website Other: _____

2. Which of the following magazines do you subscribe to?

Cabinet Maker Popular Mechanics Today's Homeowner
 Family Handyman Popular Science Wood
 Hand Loader Popular Woodworking Wooden Boat
 Handy Practical Homeowner Woodshop News
 Home Shop Machinist Precision Shooter Woodsmith
 Journal of Light Cont. Projects in Metal Woodwork
 Live Steam RC Modeler Woodworker West
 Model Airplane News Rifle Woodworker's Journal
 Modeltec Shop Notes Other:
 Old House Journal Shotgun News

3. What is your annual household income?

\$20,000-\$29,000 \$30,000-\$39,000 \$40,000-\$49,000
 \$50,000-\$59,000 \$60,000-\$69,000 \$70,000+

4. What is your age group?

20-29 30-39 40-49
 50-59 60-69 70+

5. How long have you been a woodworker/metalworker?

0-2 Years 2-8 Years 8-20 Years 20+ Years

6. How many of your machines or tools are Grizzly?

0-2 3-5 6-9 10+

7. Do you think your machine represents a good value? Yes No

8. Would you recommend Grizzly Industrial to a friend? Yes No

9. Would you allow us to use your name as a reference for our customers in your area?

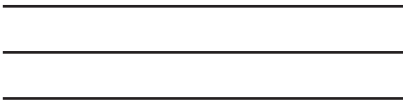
Note: *We never use names more than 3 times.* Yes No

10. Comments: _____

Send a Grizzly Catalog to a friend:

Name _____
Street _____
City _____ State _____ Zip _____

FOLD ALONG DOTTED LINE



Place
Stamp
Here



GRIZZLY INDUSTRIAL, INC.
P.O. BOX 2069
BELLINGHAM, WA 98227-2069



TAPE ALONG EDGES--PLEASE DO NOT STAPLE

Free Manuals Download Website

<http://myh66.com>

<http://usermanuals.us>

<http://www.somanuals.com>

<http://www.4manuals.cc>

<http://www.manual-lib.com>

<http://www.404manual.com>

<http://www.luxmanual.com>

<http://aubethermostatmanual.com>

Golf course search by state

<http://golfingnear.com>

Email search by domain

<http://emailbydomain.com>

Auto manuals search

<http://auto.somanuals.com>

TV manuals search

<http://tv.somanuals.com>