



# MODEL T10044 80 LB SEED/FERTILIZER SPREADER INSTRUCTION SHEET

## ⚠ CAUTION

To reduce the risk of injury when using this equipment:

- Do not allow anyone to operate the spreader without proper training.
- Do not allow children to use spreader.
- Always wear proper protective gear when using the spreader.
- If an object becomes lodged in the hopper, do not attempt to remove it while the impeller is moving.
- Keep all hardware tightened to be sure the spreader is in safe working order.

### Inventory (Figures 1, 2 & 3)

A.	Hopper Assembly (not shown)	1
B.	Catch Tray (not shown)	1
C.	Left Wheel Frame	1
D.	Right Wheel Frame	1
E.	Handle Assembly	1
F.	Support Leg	1
G.	Connecting Rod	1
H.	Gear Box & Axle Assembly	1
I.	Wheels	2
J.	Impeller	1
K.	Hairpin Cotter Pin	1
L.	Lock Nut M5-.8	1
M.	Hex Bolt M5-.8 X 45	1
N.	Phillips Head Screw M4-.7 X 20	1
O.	Hex Bolts M6-1 X 45	2
P.	Inner Axle Bushings	2
Q.	Hex Bolts M6-1 X 40	4
R.	Axle End Covers	2
S.	Hex Bolts M6-1 X 65	4
T.	Lock Nuts M6-1	8
U.	Flat Washers 6mm	4

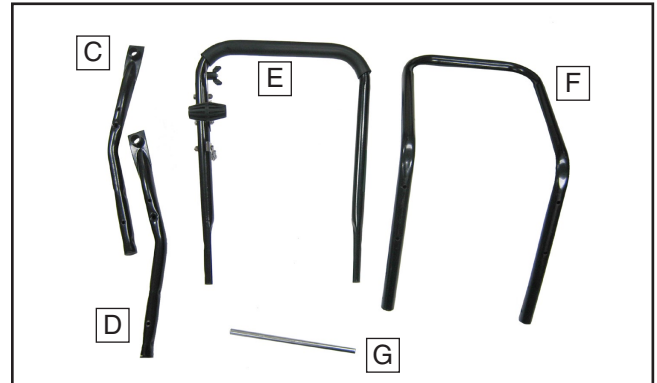


Figure 1. Inventory 1.

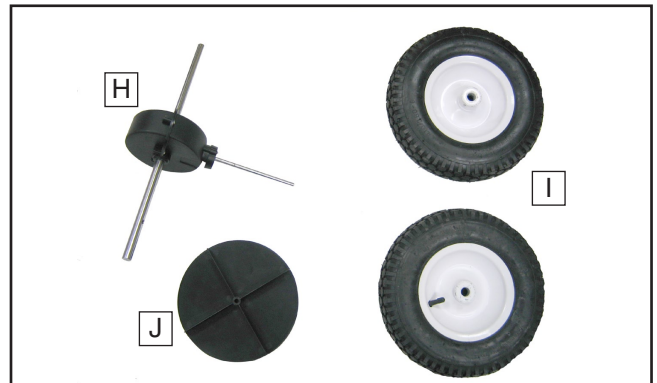


Figure 2. Inventory 2.

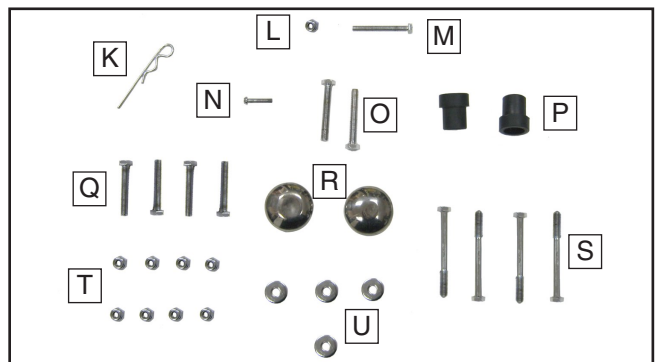


Figure 3. Inventory 3.

COPYRIGHT © DECEMBER, 2007 BY GRIZZLY INDUSTRIAL, INC.

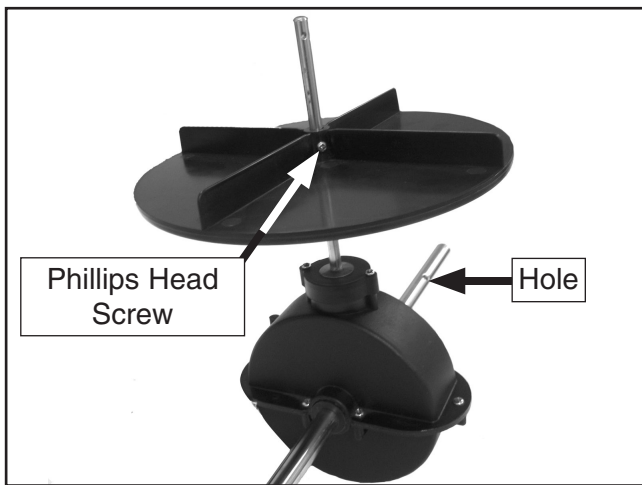
**WARNING: NO PORTION OF THIS MANUAL MAY BE REPRODUCED IN ANY SHAPE OR FORM WITHOUT THE WRITTEN APPROVAL OF GRIZZLY INDUSTRIAL, INC.**

#JM10162 PRINTED IN CHINA



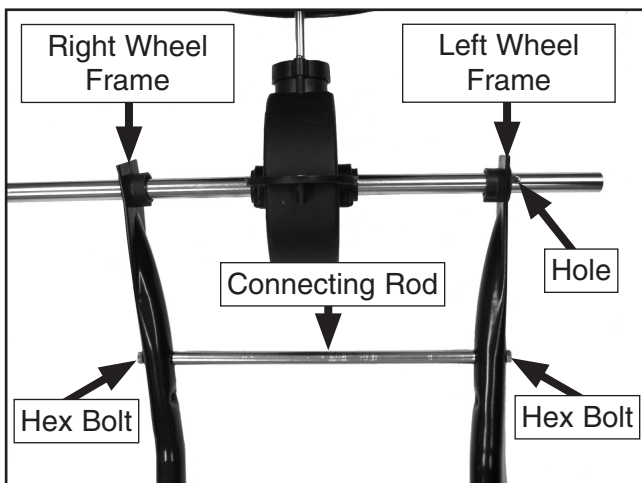
## Assembly

1. Attach the impeller to the gear box and axle assembly with the Phillips head screw, as shown in **Figure 3**.



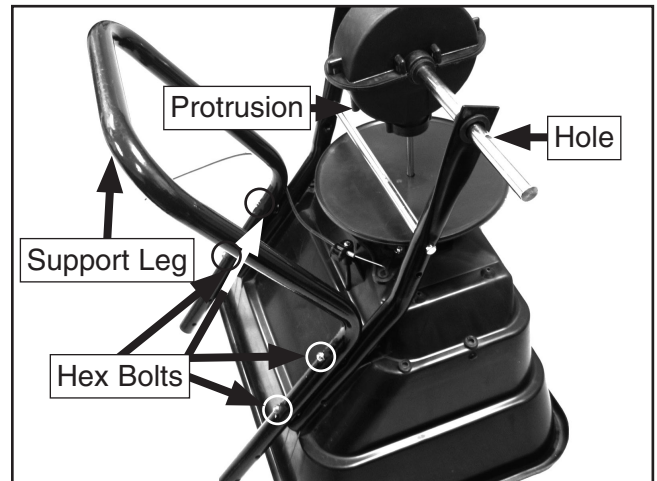
**Figure 3.** Impeller attached to gearbox assembly.

2. Slide the left and right wheel frames onto the gear box axle. Attach the connecting rod to the wheel frames using the M6-1 X 45 hex bolts, as shown in **Figure 4**. Make sure that the hole in the gear box axle is on the right hand side, so the impeller will spin in the proper direction (clockwise) after assembly.



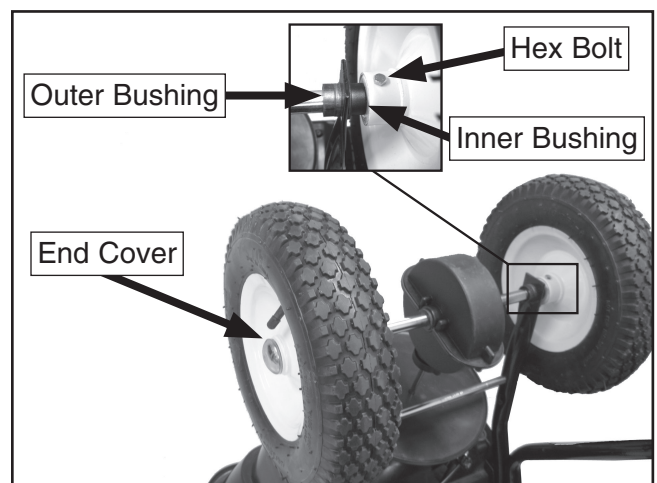
**Figure 4.** Frame assembly.

3. Slide the impeller rod into the base of the hopper making sure that the small protrusion in the gear box is facing towards the back. Attach the wheel assembly frames and the support leg to the hopper assembly using the M6-1 X 65 hex bolts, 6mm flat washers, and four of the M6-1 lock nuts, as shown in **Figure 5**.



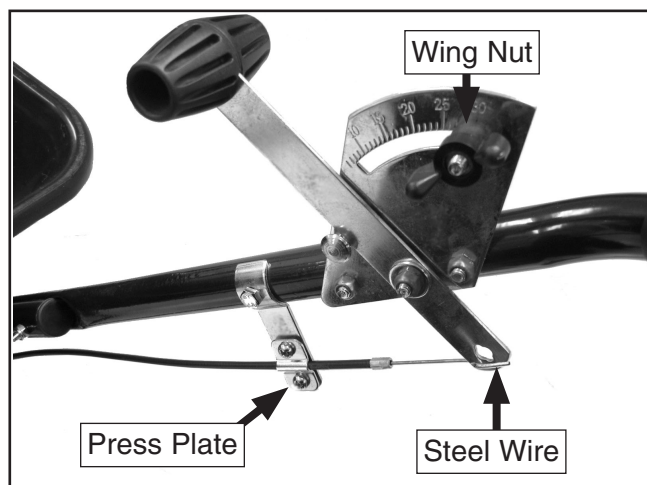
**Figure 5.** Lower hopper assembly.

4. Insert the inner axle bushings onto the gear box axle so that they are snug inside the outer axle bushing of the wheel assembly frames. Slide the wheels onto the gear box axle. Secure the left wheel to the axle using the M5-.8 X 45 hex bolt and M5-.8 lock nut. Using a wooden or rubber hammer, install the axle end covers.



**Figure 6.** Wheel assembly.

5. Insert the hairpin cotter pin into the shaft located inside the bottom of the hopper.
6. Attach the handle assembly to the support leg using the M6-1 X 40 hex bolts and the remaining M6-1 lock nuts.
7. Insert the steel wire head of the control cable into the small hole located at the end of the lever assembly. To make sure that the holes in the bottom of the hopper align with the holes in the adjustable plate; fully push the lever down and check the inside of the hopper to make sure that the adjustable plate is closed. Clamp the control cable into the press plates by removing and re-installing the two Phillips head screws and lock nuts, as shown in **Figure 7**.



**Figure 7.** Control lever assembly.

## Operation

The Model T10044 can be used for spreading fertilizers or seed. If the product has large clumps, place the catch tray on the inner lip of the hopper to separate out particles that could clog the impeller during operation.

The impeller should move in a clockwise rotation. If it does not, disassemble and make sure that the hole in the gearbox axle is on the right hand side as stated in **Step 2**, and the protrusion on the gearbox is facing towards the back as stated in **Step 3**. To evenly distribute product, the spreader should be walked at a brisk pace.

During operation, push the handle downwards to lessen the amount of product being distributed and pull up to increase. The wing nut on the lever assembly, as shown in **Figure 7**, can be adjusted to facilitate a maximum product distribution for the current spreading task.

## Maintenance

To prevent unnecessary wear, the Model T10044 should be regularly maintained. Thoroughly clean the inside of the hopper, adjustable plate and the impeller after every use. Product that is left over and not removed can impede the impeller during future uses. Clean with warm soapy water and rinse thoroughly.

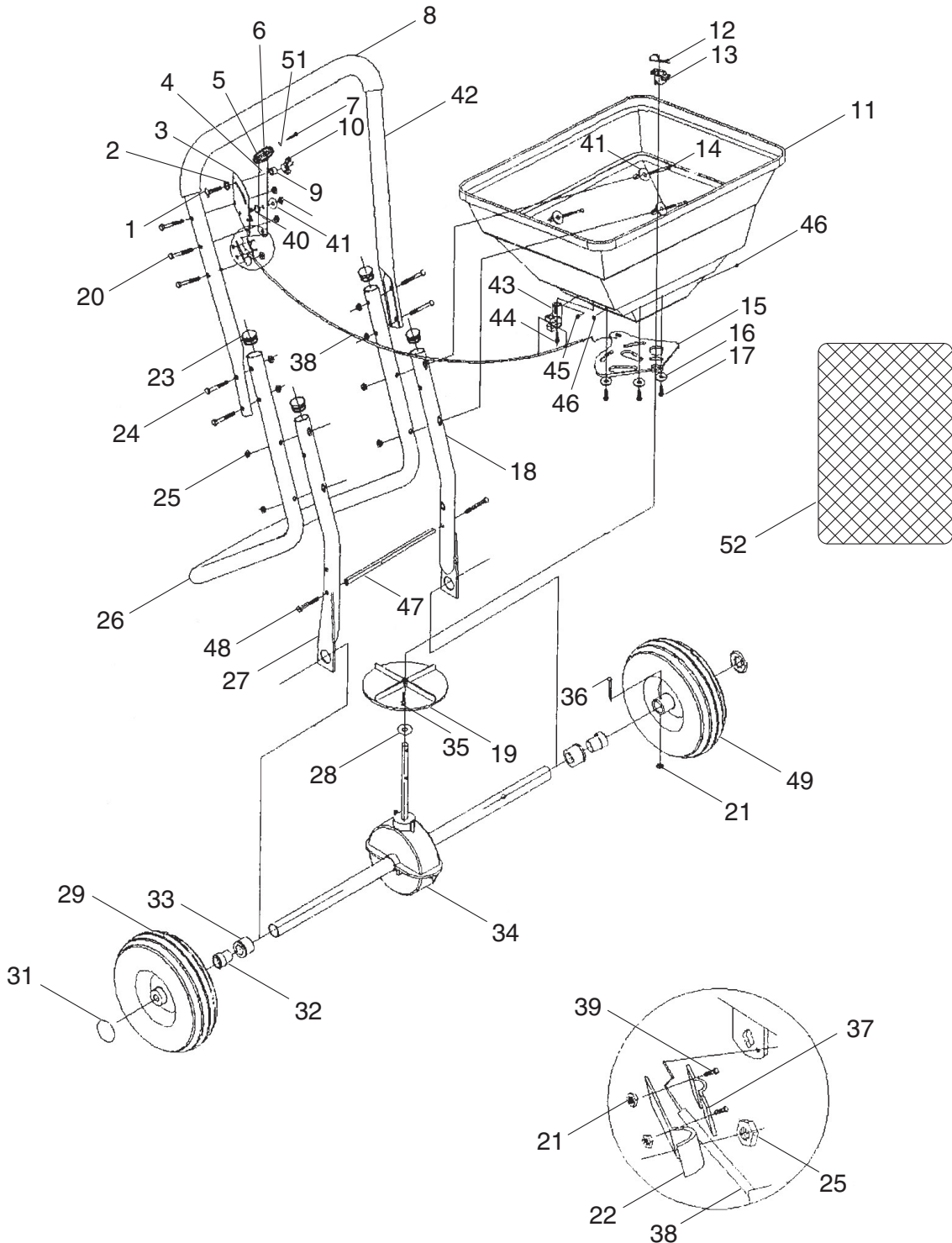
Check the pressure level of the tires before use. The maximum pressure for the tires is 24 PSI.

The gears in the gear box assembly were lubricated at the factory. Do not open the gear box or dirt may enter and clog the gears.



# T10044 Parts Breakdown

grizzly.com



# T10044 Parts List

REF PART #	DESCRIPTION
1	PCB27M CARRIAGE BOLT M6-1 X 25
2	PTLW05M EXT TOOTH WASHER 6MM
3	PT10044003 SCALE PLATE
4	PT10044004 ADJUSTMENT LEVER
5	PT10044005 RIGHT HALF HANDLE
6	PT10044006 LEFT HALF HANDLE
7	PS01M PHLP HD SCR M4-.7 X 18
8	PT10044008 HANDLE GRIP
9	PT10044009 SPACER
10	PWN01M WING NUT M6-1.0
11	PT10044011 HOPPER
12	PT10044012 HAIRPIN COTTER PIN
13	PT10044013 CENTER COVER
14	PB171M HEX BOLT M6-1 X 65
15	PT10044015 ADJUSTABLE PLATE
16	PW05M FLAT WASHER 4MM
17	PS02M PHLP HD SCR M4-.7 X 12
18	PT10044018 LEFT WHEEL ASSEMBLY FRAME
19	PT10044019 IMPELLER
20	PB52M HEX BOLT M6-1 X 35
21	PLN02M LOCK NUT M5-.8
22	PT10044022 BOTTOM LINE CLAMP PLATE
23	PT10044023 TUBE END CAP
24	PB47M HEX BOLT M6-1 X 40
25	PLN03M LOCK NUT M6-1
26	PT10044026 SUPPORT LEG

REF PART #	DESCRIPTION
27	PT10044027 RIGHT WHEEL ASSEMBLY FRAME
28	PT10044028 SPECIAL DISC
29	PT10044029 RIGHT WHEEL
31	PT10044031 AXLE END COVER
32	PT10044032 INNER AXLE BUSHING
33	PT10044033 OUTER AXLE BUSHING
34	PT10044034 GEAR BOX AND AXLE ASSEMBLY
35	PS52M PHLP HD SCR M4-.7 20
36	PB172M HEX BOLT M5-.8 X 45
37	PT10044037 TOP LINE CLAMP PLATE
38	PT10044038 CONTROL CABLE
39	PS09M PHLP HD SCR M5-.8 X 10
40	PT10044040 SPECIAL WASHER
41	PW03M FLAT WASHER 6MM
42	PT10044042 HANDLE
43	PT10044043 HOPPER LINE CLAMP
44	PS20M PHLP HD SCR M5-.8 X 15
45	PT10044045 LARGE END CAP
46	PT10044046 SMALL END CAP
47	PT10044047 CONNECTING ROD
48	PB71M HEX BOLT M6-1 X 45
49	PT10044049 LEFT WHEEL
50	PT10044050 GRIZZLY.COM LABEL
51	PW05M FLAT WASHER 4MM
52	PT10044052 CATCH TRAY

# *grizzly.com*

**TOOL WEBSITE**

Buy Direct and Save with Grizzly® – Trusted, Proven and a Great Value!

*Visit Our Website Today And Discover  
Why Grizzly® Is The Industry Leader!*

- SECURE ORDERING
- ORDERS SHIPPED WITHIN 24 HOURS
- E-MAIL RESPONSE WITHIN ONE HOUR

-OR-

Call Today For A **FREE**  
Full Color Catalog

**1-800-523-4777**



## Free Manuals Download Website

<http://myh66.com>

<http://usermanuals.us>

<http://www.somanuals.com>

<http://www.4manuals.cc>

<http://www.manual-lib.com>

<http://www.404manual.com>

<http://www.luxmanual.com>

<http://aubethermostatmanual.com>

Golf course search by state

<http://golfingnear.com>

Email search by domain

<http://emailbydomain.com>

Auto manuals search

<http://auto.somanuals.com>

TV manuals search

<http://tv.somanuals.com>