



# MODEL T10131 BANDSAW EXTENSION TABLE INSTRUCTIONS

The Model T10131 Bandsaw Extension Table provides additional support for longer workpieces and installs onto the Grizzly bandsaw Models G0531B, G0566B, and G0636XB.

## Recommended Tools

Hex Wrench 6mm.....	1 EA
Wrench/Socket 13mm .....	1 EA
Precision Straightedge .....	1
Assistant for Lifting.....	1
Degreaser (Figure 6) .....	As Needed
Shop Rag .....	1

## Specifications

Size .....	20 <sup>3</sup> / <sub>4</sub> " x 18 <sup>1</sup> / <sub>8</sub> " x 2"
Weight .....	63 lbs.

## Inventory (Figure 1)

A. Extension Table.....	1
B. Support.....	1
C. Hardware Bag (not shown) .....	1
—Cap Screws M8-1.25 x 40 .....	4
—Hex Bolts M8-1.25 x 12.....	4
—Flat Washers 8mm .....	8
—Lock Washers 8mm.....	4

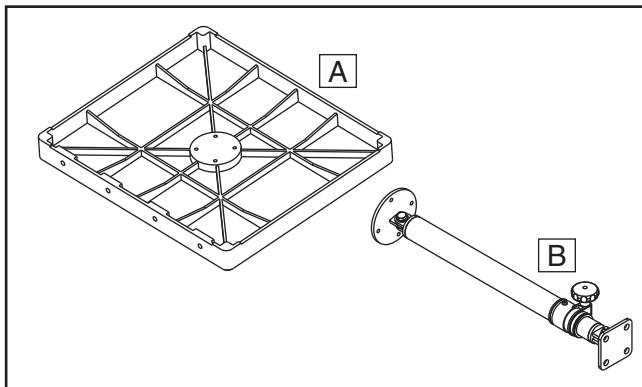


Figure 1. Model T10131 inventory.

## Assembly

1. Remove the protective waxy oil coating from the top of the extension table with a solvent cleaner or degreaser, such as shown in **Accessories** on **Page 2**. Avoid chlorine-based solvents, such as acetone or brake parts cleaner that may damage painted surfaces. Always follow the manufacturer's instructions when using any type of cleaning product.



2. Have another person hold the extension wing in place and mount it to the main bandsaw table with the four M8-1.25 x 40 cap screws, lock washers and flat washers, as shown in **Figure 2**.

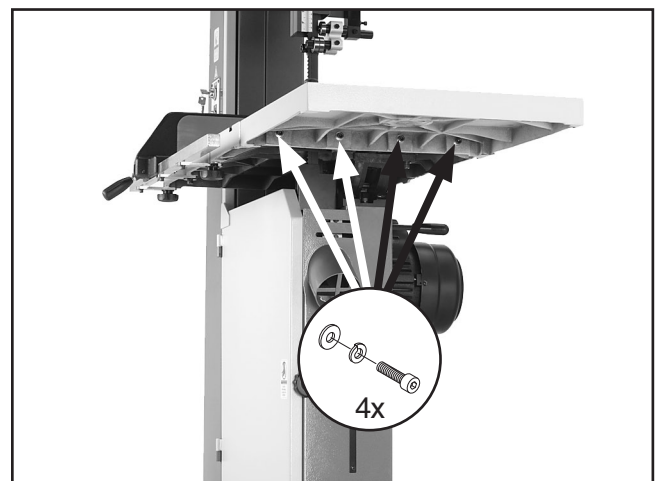


Figure 2. Extension table installed.

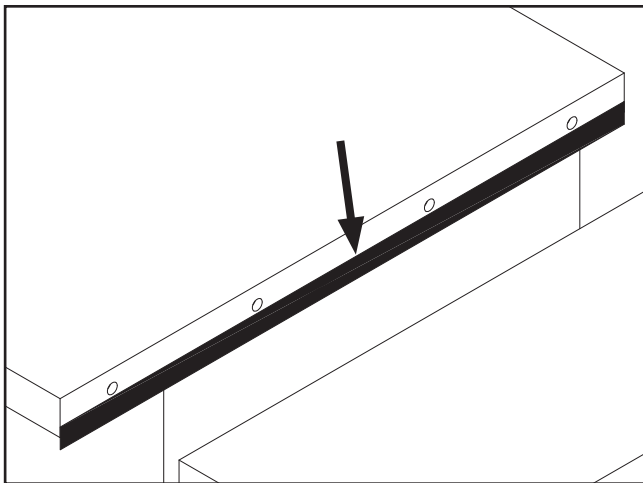
COPYRIGHT © AUGUST, 2008 BY GRIZZLY INDUSTRIAL, INC.

**WARNING: NO PORTION OF THIS MANUAL MAY BE REPRODUCED IN ANY SHAPE OR FORM WITHOUT THE WRITTEN APPROVAL OF GRIZZLY INDUSTRIAL, INC.**

#BL10994 PRINTED IN TAIWAN

- Use a straightedge as a gauge and adjust the extension wing up/down until it is flush with the main table above each cap screw, then completely tighten the cap screws.
- Place the straightedge across the extension wing and main table to make sure that the combined table surface is flat.

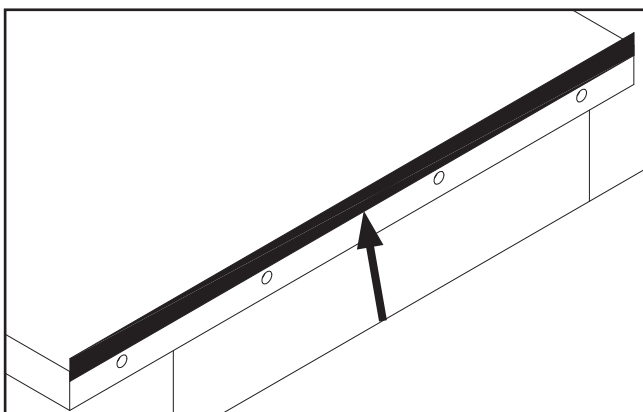
— If the outside end of the extension wing tilts down, use a strip of masking tape along the bottom edge of the main table to shim the extension wing up (see **Figure 3**).



**Figure 3.** Masking tape location for tilting the extension table up.

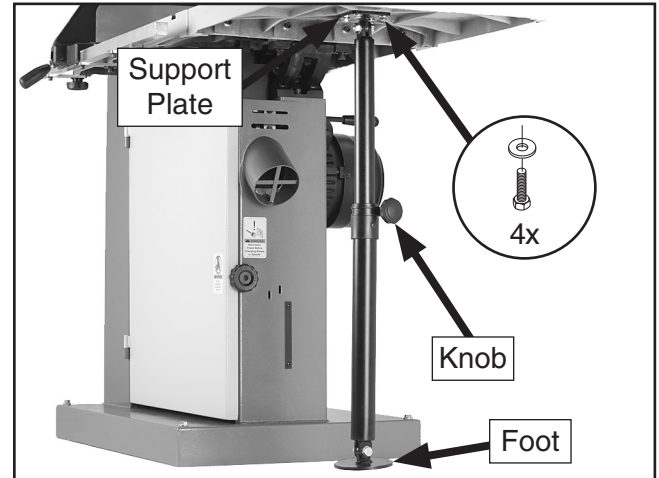
— If the outside end of the extension wing tilts up, use a strip of masking tape along the top edge of the main table to shim the extension wing down (see **Figure 4**).

**Note:** After reinstalling the wing, remove all excess masking tape with a razor blade.



**Figure 4.** Masking tape location for adjusting the extension wing down.

- Align the mounting holes on the support plate and the bottom of the extension table, then fasten with four M8-1.25 x 12 hex bolts and flat washers, as shown in **Figure 5**.



**Figure 5.** Support installed.

- Loosen the knob, slide the lower section of the support down and tilt the foot so it is flush with the floor, then tighten the knob.

## ! WARNING

**Do not place workpieces heavier than 100 lbs. on this extension table! Doing so may cause the table to fail, increasing your risk of serious personal injury.**

*If you need help with your new extension table, call our Tech Support at: (570) 546-9663.*

## Accessories

### G2544—Solvent Cleaner & Degreaser

A great product for removing the waxy shipping grease from your machine during clean up.



**Figure 6.** Cleaner/degreaser available from Grizzly.

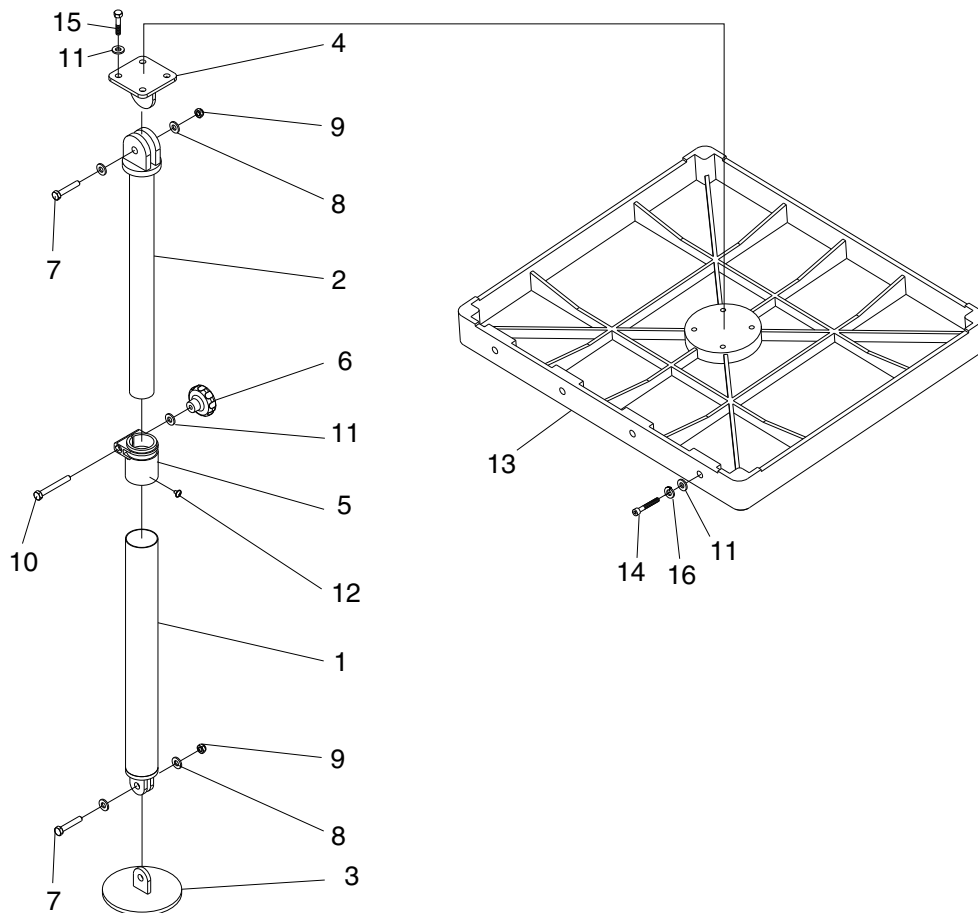


**G9644—12" Precision Straightedge**

**H2675—16" Precision Straightedge**

Is your straightedge really straight? These grade 00 heavy-duty stainless steel straightedges are manufactured to DIN874 standards for professional results in setup and inspection work.

## T10131 Parts Breakdown and List



REF	PART #	DESCRIPTION
1	PT10131001	LOWER SUPPORT LEG
2	PT10131002	UPPER SUPPORT LEG
3	PT10131003	FOOT
4	PT10131004	SUPPORT PLATE
5	PT10131005	CONNECTING SLEEVE
6	PT10131006	KNOB M8-1.25
7	PB14M	HEX BOLT M10-1.5 X 35
8	PW04M	FLAT WASHER 10MM

REF	PART #	DESCRIPTION
9	PLN05M	LOCK NUT M10-1.5
10	PB28M	HEX BOLT M8-1.25 X 60
11	PW01M	FLAT WASHER 8MM
12	PS05M	PHLP HD SCR M5-.8 X 8
13	PT10131013	EXTENSION TABLE
14	PSB12M	CAP SCREW M8-1.25 X 40
15	PB06M	HEX BOLT M8-1.25 X 12
16	PLW04M	LOCK WASHER 8MM



# *grizzly.com*

**TOOL WEBSITE**

Buy Direct and Save with Grizzly® – Trusted, Proven and a Great Value!

*Visit Our Website Today And Discover  
Why Grizzly® Is The Industry Leader!*

- SECURE ORDERING
- ORDERS SHIPPED WITHIN 24 HOURS
- E-MAIL RESPONSE WITHIN ONE HOUR

-OR-

Call Today For A **FREE**  
Full Color Catalog

**1-800-523-4777**



## Free Manuals Download Website

<http://myh66.com>

<http://usermanuals.us>

<http://www.somanuals.com>

<http://www.4manuals.cc>

<http://www.manual-lib.com>

<http://www.404manual.com>

<http://www.luxmanual.com>

<http://aubethermostatmanual.com>

Golf course search by state

<http://golfingnear.com>

Email search by domain

<http://emailbydomain.com>

Auto manuals search

<http://auto.somanuals.com>

TV manuals search

<http://tv.somanuals.com>