



MODEL T10113 UNIVERSAL OVERARM BLADE GUARD INSTRUCTIONS

⚠️ WARNING

To reduce the risk of serious injury when using this blade guard:

1. **RIVING KNIFE.** Before using this blade guard, your table saw MUST have the riving knife properly installed.
2. **BLADE GUARD HEIGHT.** Always properly adjust the blade guard height so that the guard wheels rest on the table and the guard will not interfere with the workpiece as it passes underneath.
3. **TABLE SAW OWNER'S MANUAL.** Read and understand the table saw owner's manual and always follow all safety precautions and instructions for your table saw during operation.
4. **DUST COLLECTION SYSTEM.** Always use a dust collection system with this blade guard that is adequate for your operation.
5. **ADJUSTMENTS, MAINTENANCE, OR SERVICE.** Always disconnect the table saw from power before you perform any adjustments, maintenance, or service to this blade guard or your table saw.
6. **TABLE SAW ATTACHMENT.** Always make sure the blade guard assembly is firmly attached to the table saw so that the blade guard will not move away from its correct and safe position during operation.

Introduction

The Model T10113 Universal Overarm Blade Guard is designed to fit most table saws with a stable adjustable base and a 3" dust collection boom that can rotate 90° and extend from 39" to 68" over the saw blade.

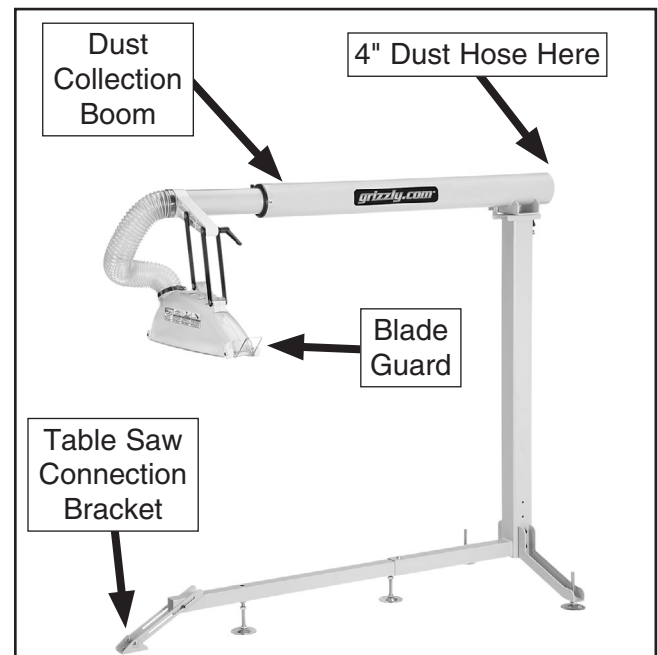


Figure 1. Model T10113 identification.

Inventory

After removing the contents of the shipping package, lay them out and refer to the **Parts Breakdown** and listing on **Page 3** to inventory the components.

If you need help with your new Universal Overarm Blade Guard, call our Tech Support at: (570) 546-9663.

COPYRIGHT © NOVEMBER, 2008 BY GRIZZLY INDUSTRIAL, INC.
**WARNING: NO PORTION OF THIS MANUAL MAY BE REPRODUCED IN ANY SHAPE
OR FORM WITHOUT THE WRITTEN APPROVAL OF GRIZZLY INDUSTRIAL, INC.**

#TS11340 PRINTED IN TAIWAN

Assembly

Refer to **Figure 1** on the front page and the **Parts Breakdown** illustration on **Page 3** to aid you with the following assembly procedure.

| Tools Needed | Qty |
|--------------------------------|--------|
| Standard Screwdriver #2..... | 1 |
| Hex Wrenches 5, 6mm..... | 1 Each |
| Wrenches 10, 12, 14, 19mm..... | 1 Each |

To assemble your overarm blade guard:

1. Thread the ½"-13 hex nuts onto the four threaded feet, then thread the correct foot assembly into each of the two side support legs.
2. Attach the two side support legs to the main vertical support with the 5/16"-18 x 4" cap screws, flat washers, and hex nuts.

Note: Choose one of the three height mounting positions for the side support legs that will best fit the height of your table saw.

3. Thread the remaining two foot assemblies into the extension tube, then slide the extension tube into the bottom of the vertical support. Secure it in place with the 5/16"-18 x ½ flange bolt.
4. Adjust the feet so that the support assembly sits level, then tighten the hex nuts on the feet upward to secure the setting.

Note: The adjustable threaded feet can also be used to vary the height of the blade guard over the table saw.

5. With assistance, insert the shaft of the boom assembly into the top of the vertical support. Make sure it is fully seated.
6. To keep the boom from unexpectedly rotating, flip the stop bracket on top of the vertical support up and secure it with the lock lever
7. Slide the blade guard assembly onto the end of the boom, then secure it in place by tightening the cap screw.

Note: The blade guard assembly rotates on the boom assembly to make further adjustments to the blade guard height above the blade.

8. Securely clamp the 3" flexible dust hose between the blade guard assembly and the end of the dust collection boom. Tug on it to make sure it is secure.
9. Move the guard assembly against your table saw in the position that best fits your operation, then make height and boom adjustments so that:
 - The guard is centered over the saw blade.
 - There is equal clearance between the blade and the guard on either side.
 - The guard wheels rest on the table when the blade guard pivot arms are fully extended down.

WARNING

To avoid the risk of the blade guard coming in contact with the saw blade during operation, always securely attach the blade guard assembly to the table saw and properly position the guard above the blade. Otherwise, the blade guard could break apart and cause serious personal injury or property damage.

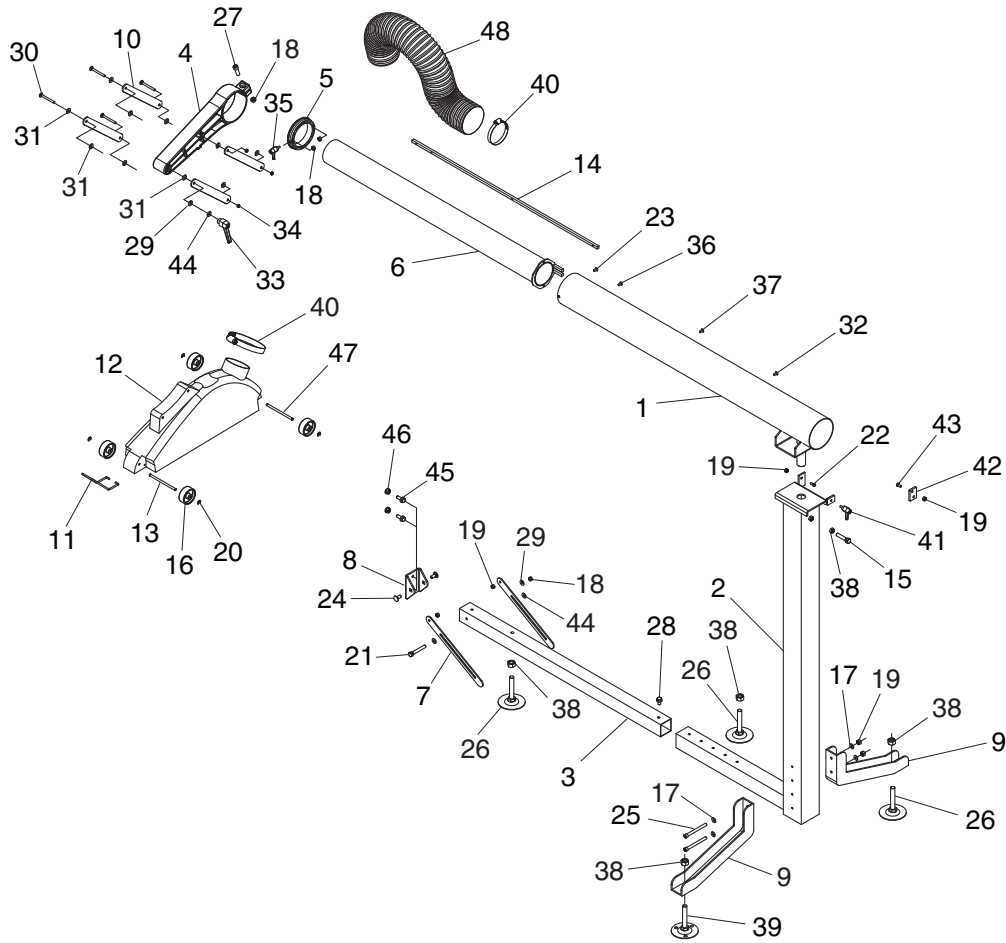
10. Make marks through the two holes of the bottom connecting bracket onto the side of your table saw.
11. Drill holes into your table saw that will accommodate ¼" fasteners (not included), then securely attach the blade guard assembly to the table saw.
12. Attach an adequate dust collection system to the 4" open end of the dust collection boom.

Boom Rotation

To rotate the dust collection boom, loosen the lock lever on top of the vertical support and move the pivoting stop bracket out of the way. Rotate the boom as needed, then tighten the hex nut on the side of the vertical support and lock it in place with the jam nut.



Parts Breakdown



| REF PART # | DESCRIPTION | QTY | |
|------------|-------------|-----------------------------|---|
| 1 | PT10113001 | OUTER BOOM | 1 |
| 2 | PT10113002 | VERTICAL SUPPORT | 1 |
| 3 | PT10113003 | EXTENSION TUBE | 1 |
| 4 | PT10113004 | PIVOT ARM | 1 |
| 5 | PT10113005 | BOOM END CAP | 1 |
| 6 | PT10113006 | INNER BOOM | 1 |
| 7 | PT10113007 | SLIDING BRACE | 2 |
| 8 | PT10113008 | CONNECTING BRACKET | 1 |
| 9 | PT10113009 | SIDE SUPPORT LEG | 2 |
| 10 | PT10113010 | PIVOT SHAFT | 4 |
| 11 | PT10113011 | GUARD HANDLE | 1 |
| 12 | PT10113012 | BLADE GUARD | 1 |
| 13 | PT10113013 | FRONT THREADED AXLE | 1 |
| 14 | PT10113014 | BOOM KEY | 1 |
| 15 | PB99 | HEX BOLT 1/2-13 X 2-1/4 | 1 |
| 16 | PT10113016 | GUARD WHEEL | 4 |
| 17 | PW07 | FLAT WASHER 5/16 | 4 |
| 18 | PN05 | HEX NUT 1/4-20 | 4 |
| 19 | PN02 | HEX NUT 5/16-18 | 6 |
| 20 | PT10113020 | AXLE CLIP | 4 |
| 21 | PB98 | HEX BOLT 1/4-20 X 2-1/2 | 1 |
| 22 | PB03 | HEX BOLT 5/16-18 X 1 | 1 |
| 23 | PS07 | PHLP HD SCR 1/4-20 X 3/8 | 1 |
| 24 | PCB05 | CARRIAGE BOLT 5/16-18 X 3/4 | 2 |

| REF PART # | DESCRIPTION | QTY | |
|------------|-------------|------------------------------|---|
| 25 | PSB106 | CAP SCREW 5/16-18 X 4 | 2 |
| 26 | PT10113026 | THREADED FOOT 1/2-13 X 3 | 3 |
| 27 | PSB05 | CAP SCREW 1/4-20 X 3/4 | 1 |
| 28 | PFB01 | FLANGE BOLT 5/16-18 X 1/2 | 1 |
| 29 | PLW02 | LOCK WASHER 1/4 | 2 |
| 30 | PCB23 | CARRIAGE BOLT 1/4-20 X 2-1/4 | 4 |
| 31 | PT10113031 | PLASTIC FLAT WASHER 1/4 | 8 |
| 32 | PSBS34M | BUTTON HD CAP SCR M5-.8 X 25 | 1 |
| 33 | PT10113033 | LOCK LEVER 1/4-20 | 1 |
| 34 | PLN02 | LOCK NUT 1/4-20 | 3 |
| 35 | PT10113035 | LOCK LEVER 1/4-20 X 1/2 | 1 |
| 36 | PSBS06M | BUTTON HD CAP SCR M5-.8 X 12 | 1 |
| 37 | PSBS35M | BUTTON HD CAP SCR M5-.8 X 10 | 1 |
| 38 | PN06 | HEX NUT 1/2-13 | 5 |
| 39 | PT10113039 | THREADED FOOT 1/2-13 X 4 | 1 |
| 40 | PT10113040 | HOSE CLAMP 3" | 2 |
| 41 | PT10113041 | LOCK LEVER 5/16-18 X 5/8 | 1 |
| 42 | PT10113042 | CONNECTING PLATE | 1 |
| 43 | PB32 | HEX BOLT 5/16-18 X 5/8 | 1 |
| 44 | PW06 | FLAT WASHER 1/4 | 3 |
| 45 | PFB16 | FLANGE BOLT 5/16-18 X 1 | 2 |
| 46 | PFN02 | FLANGE NUT 5/16-18 | 2 |
| 47 | PT10113047 | REAR THREADED AXLE | 1 |
| 48 | PT10113048 | DUST HOSE 3" X 24" | 1 |



Customize Your Table Saw Even More!

G1317—37" Wide Outfeed Roller System H8875—26" Wide Outfeed Roller System

These unique roller systems fold down easily without tools and snap up in place quickly when needed. Both units have a double level system which lets you set the rollers either in line with the table or slightly below it.



Figure 2. Outfeed roller system.

G7314—Heavy-Duty Mobile Base G8684—Extension Kit for Mobile Base

This heavy duty mobile base is rated for up to a 600 lb. capacity.

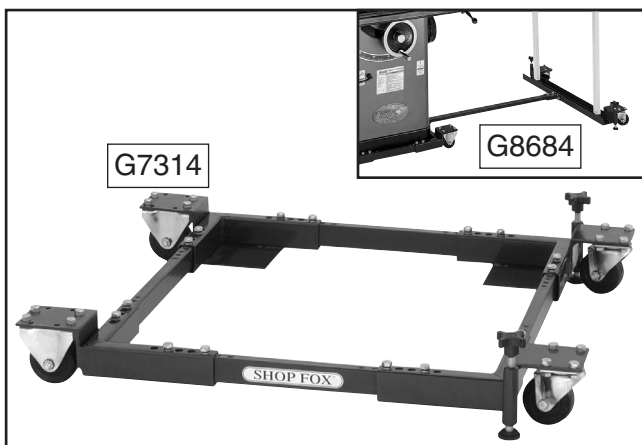


Figure 3. G7314 mobile base and extension kit.

H4332—T4 Silencer for Saw Blades

Woodworkers across the country swear by these blade silencers.

Power Twist® V-Belts

H9815—A 1/2" x 4'

H9817—B 5/8" x 6'

Works with multi-sheave pulleys. Reduces noise!

G4227—Sliding Table for 10" Table Saws G8010—Sliding Table for 14" Table Saws

Perfect for cutting large sheet stock! The table glides effortlessly on five ball bearing rollers, attaches directly to your saw or shaper table and can be adjusted for precision results. Model G4227 fits our G1023 Series (except G1023SL & G1023SLX), G1035, G1026 and most other cabinet saws and full size shapers. Model G8010 fits our G7209/G7210 14" table saws.

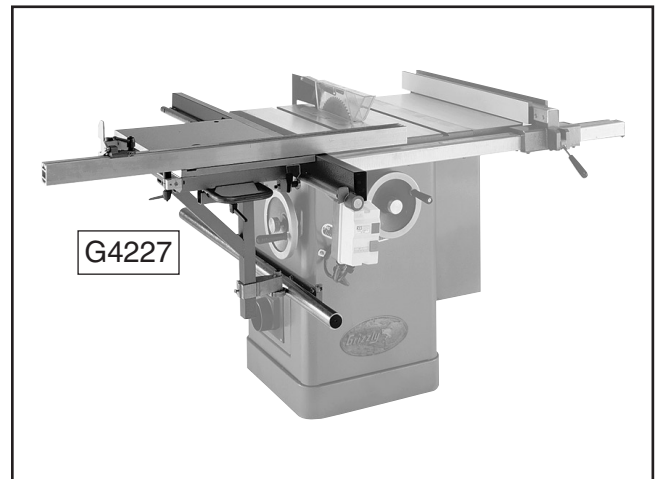


Figure 4. G4227 sliding table attachment.

G4173—1/8 HP Power Feeder

G4173—1/4 HP Power Feeder

G4179—1/2 HP Power Feeder

Installing a power feeder on your table saw will make repetitive cuts much easier and safer. Can be installed on nearly any table saw. Easy to adjust wherever needed, including out of the way when not needed! A must for any production shop.

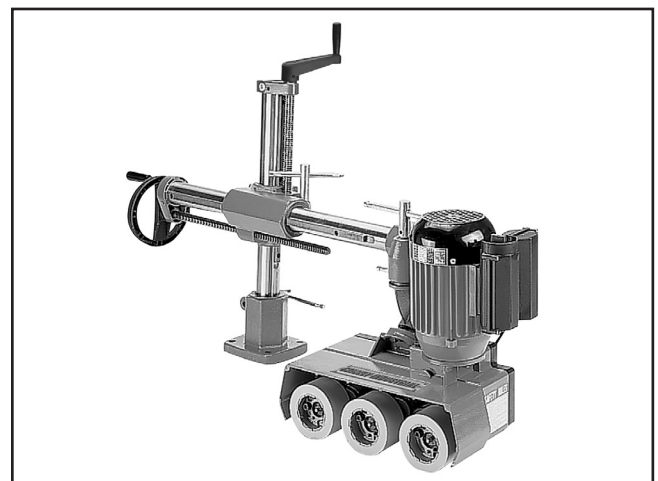


Figure 5. G4179 Power Feeder.

Free Manuals Download Website

<http://myh66.com>

<http://usermanuals.us>

<http://www.somanuals.com>

<http://www.4manuals.cc>

<http://www.manual-lib.com>

<http://www.404manual.com>

<http://www.luxmanual.com>

<http://aubethermostatmanual.com>

Golf course search by state

<http://golfingnear.com>

Email search by domain

<http://emailbydomain.com>

Auto manuals search

<http://auto.somanuals.com>

TV manuals search

<http://tv.somanuals.com>