

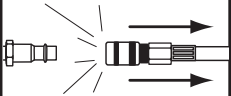


MODEL G8122 AIR CUT-OFF SAW INSTRUCTIONS

⚠️ WARNING



EYE INJURY HAZARD!
Always wear safety glasses or a face shield during use to prevent injury.



INJURY HAZARD!
When servicing, always disconnect tool from air to prevent unexpected operation.



**90 PSI
MAX AIR PRESSURE!**
Exceeding this PSI may result in injury/tool damage.



Figure 1. Model G8122.

Specifications

No-Load Speed 18,000 RPM
 Wheel Size 3" Dia. x 3/8" Arbor
 Air Inlet 1/4" NPT
 Average Air Consumption 4 cfm
 Weight 2 lbs.

Operation

Connect to air and press the trigger to operate. To reduce the risk of injury, always keep the safety guard installed for all operations.

Replacing Wheels

Use the included wrenches to replace the cut-off wheels. Do not use cracked wheels or they might fly apart during operation. Only use wheels rated for 18,000 rpm or higher. Make sure wheels are installed so the rotation direction on the wheel and saw match. Make sure the washer is reinstalled between the cut-off wheel and the cap screw.

Lubrication

To improve tool lifespan, use a filter/lubricator/regulator setup as shown in **Figure 2**. Otherwise, lubricate multiple times daily with 2–3 drops of pneumatic tool oil. Place the oil directly into the air fitting as shown in **Figure 3**.

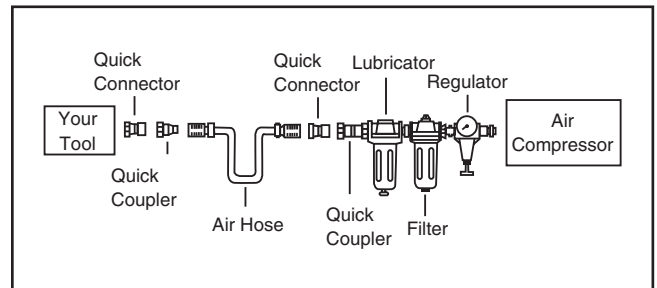


Figure 2. Installing a filter/lubricator/regulator to improve the lifespan of your tool.

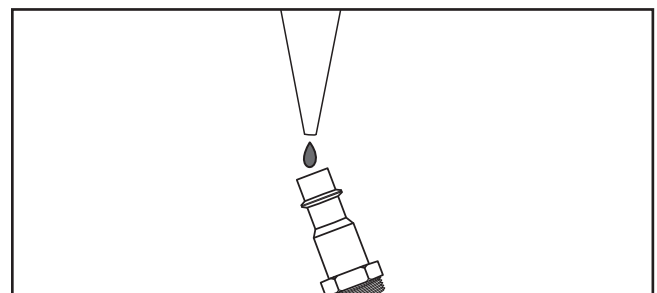
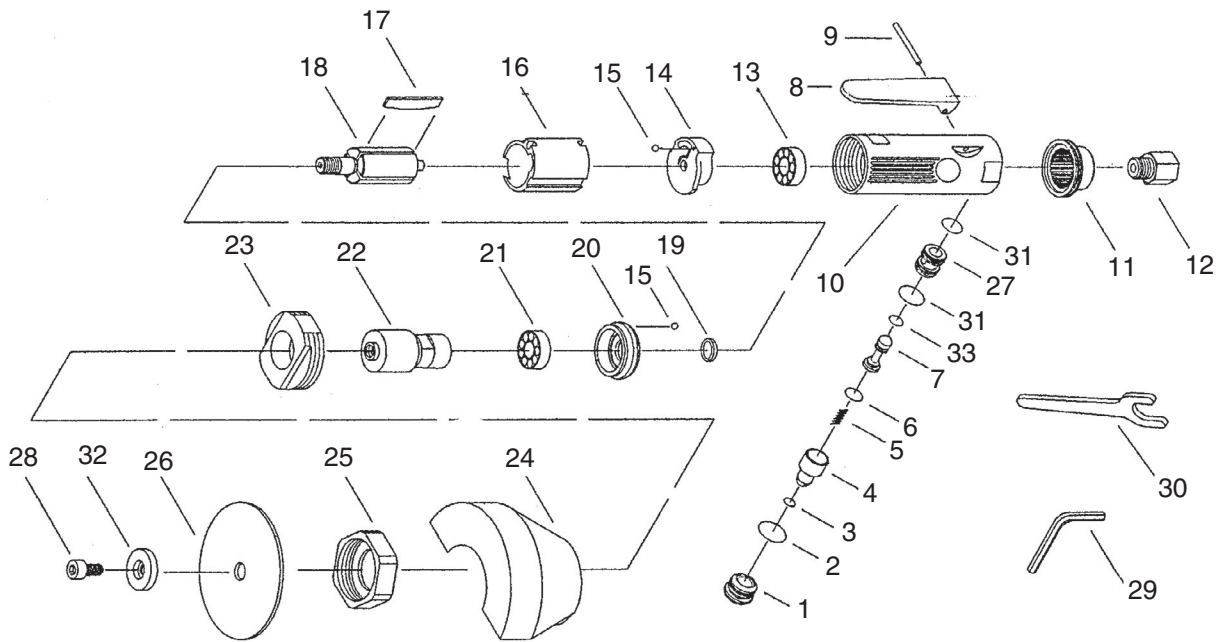


Figure 3. Lubricating directly into air fitting.

If you need help with your new pneumatic tool, call our Tech Support at: (570) 546-9663.

G8122 Parts Breakdown and List



REF	PART #	DESCRIPTION
1	P8122001	VALVE SCREW
2	P8122002	O-RING
3	P8122003	O-RING
4	P8122004	AIR REGULATOR
5	P8122005	SPRING
6	P8122006	O-RING
7	P8122007	VALVE STEM
8	P8122008	THROTTLE LEVER
9	P8122009	LEVER PIN
10	P8122010	MOTOR HOUSING
11	P8122011	EXHAUST SLEEVE
12	P8122012	AIR INLET
13	P626	BALL BEARING 626ZZ
14	P8122014	REAR END PLATE
15	P8122015	BALL
16	P8122016	CYLINDER
17	P8122017	ROTOR BLADE

REF	PART #	DESCRIPTION
18	P8122018	ROTOR
19	P8122019	ROTOR COLLAR
20	P8122020	FRONT END PLATE
21	P6000	BALL BEARING 6000ZZ
22	P8122022	SPINDLE
23	P8122023	CLAMP NUT
24	P8122024	SAFETY GUARD
25	P8122025	NUT
26	P8122026	CUTTING WHEEL
27	P8122027	VALVE BUSHING
28	P8122028	HEX SCREW
29	P8122029	HEX WRENCH
30	P8122030	WRENCH
31	P8122031	O-RING
32	P8122032	WASHER
33	P8122033	O-RING

COPYRIGHT © APRIL, 2007 BY GRIZZLY INDUSTRIAL, INC.

WARNING: NO PORTION OF THIS MANUAL MAY BE REPRODUCED IN ANY SHAPE OR FORM WITHOUT THE WRITTEN APPROVAL OF GRIZZLY INDUSTRIAL, INC.

#TR9247 PRINTED IN TAIWAN

Free Manuals Download Website

<http://myh66.com>

<http://usermanuals.us>

<http://www.somanuals.com>

<http://www.4manuals.cc>

<http://www.manual-lib.com>

<http://www.404manual.com>

<http://www.luxmanual.com>

<http://aubethermostatmanual.com>

Golf course search by state

<http://golfingnear.com>

Email search by domain

<http://emailbydomain.com>

Auto manuals search

<http://auto.somanuals.com>

TV manuals search

<http://tv.somanuals.com>