



22" SCROLL SAW
MODEL G1060
INSTRUCTION MANUAL



COPYRIGHT © 1992 BY GRIZZLY IMPORTS, INC. REG.# TX 3 300 229
**WARNING: NO PORTION OF THIS MANUAL MAY BE REPRODUCED IN ANY SHAPE
OR FORM WITHOUT THE WRITTEN APPROVAL OF GRIZZLY IMPORTS, INC.**
REVISED JULY 1997 PRINTED IN TAIWAN



WARNING!

Some dust created by power sanding, sawing, grinding, drilling, and other construction activities contains chemicals known to the State of California to cause cancer, birth defects or other reproductive harm. Some examples of these chemical are:

- Lead from lead-based paints.**
- Crystalline silica from bricks, cement and other masonry products.**
- Arsenic and chromium from chemically-treated lumber.**

Your risk from these exposures varies, depending on how often you do this type of work. To reduce your exposure to these chemicals: Work in a well ventilated area, and work with approved safety equipment, such as those dust masks that are specially designed to filter out microscopic particles.

Table Of Contents

	PAGE
1. SAFETY	2
SAFETY RULES FOR ALL TOOLS	2
ADDITIONAL SAFETY INSTRUCTIONS FOR SCROLL SAWS	3
2. CIRCUIT REQUIREMENTS	4
110V OPERATION	4
GROUNDING	4
3. GENERAL INFORMATION	5
UNPACKING	6
PIECE INVENTORY	6
CLEAN UP.....	7
SITE CONSIDERATIONS	7
4. ASSEMBLY	8
SAFETY SHIELD.....	8
5. ADJUSTMENTS	9
BLADE INSTALLATION	9
BLADE TENSION	10
TABLE TILT	10-11
SAFETY SHIELD.....	11
6. OPERATIONS	12
TEST RUN.....	12
STRAIGHT CUTS	12
CURVED CUTS.....	13
BEVEL CUTS	13
INSIDE CUTS	14
7. MAINTENANCE	15
GENERAL	15
WORKING TABLE.....	15
LUBRICATION	15
8. CLOSURE	16
MACHINE DATA	17
PARTS BREAKDOWN AND PARTS LISTS	18-19
WARRANTY AND RETURNS.....	20

SECTION 1: SAFETY

WARNING: For Your Own Safety, Read Instruction Manual Before Operating Scroll Saw

- a) Always wear eye protection.
- b) Always keep guards in place and in proper operating condition.
- c) Do not cut pieces too small to hold by hand.
- d) Make sure the blade teeth point downward toward the table.

Safety Instructions For Power Tools

These safety rules cannot cover every situation in a work shop. Consider your conditions when setting up or operating your scroll saw.

1. **KEEP GUARDS IN PLACE** and in working order.
2. **REMOVE ADJUSTING KEYS AND WRENCHES.** Form habit of checking to see that keys and adjusting wrenches are removed from tool before turning on.
3. **KEEP WORK AREA CLEAN.** Cluttered areas and benches invite accidents.
4. **DON'T USE IN DANGEROUS ENVIRONMENT.** Don't use power tools in damp or wet locations, or expose them to rain. Keep work area well lighted.
5. **KEEP CHILDREN AND VISITORS AWAY.** All children and visitors should be kept a safe distance from work area.
6. **MAKE WORK SHOP CHILD PROOF** with padlocks, master switches, or by removing starter keys.
7. **DON'T FORCE TOOL.** It will do the job better and safer at the rate for which it was designed.
8. **USE RIGHT TOOL.** Don't force tool or attachment to do a job for which it was not designed.
9. **USE PROPER EXTENSION CORD.** Make sure your extension cord is in good condition. When using an extension cord, be sure it is rated Hard Service (grade S) or better. Conductor size must be 16 A.W.G. for cords up to 100 feet in length. An undersized cord will cause a drop in line voltage resulting in loss of power and overheating. Your extension cord must also contain a ground wire and plug pin. Always repair or replace extension cords if they become damaged. Minimum gage for extension cord:

16 A.W.G.	50ft
16 A.W.G.	100ft
14 A.W.G.	200ft
12 A.W.G.	300ft

10. **WEAR PROPER APPAREL** Do not wear loose clothing, gloves, neckties, rings, bracelets, or other jewelry which may get caught in moving parts. Non-slip footwear is recommended. Wear protective hair covering to contain long hair.
11. **ALWAYS USE SAFETY GLASSES.** Also use face or dust mask if cutting operation is dusty. Everyday eyeglasses only have impact resistant lenses, they are NOT safety glasses.
12. **SECURE WORK.** Use clamps or a vise to hold work when practical. It's safer than using your hand and frees both hands to operate tool.
13. **DON'T OVERREACH.** Keep proper footing and balance at all times.
14. **MAINTAIN TOOLS WITH CARE.** Keep tools sharp and clean for best and safest performance. Follow instructions for lubricating and changing accessories.
15. **DISCONNECT TOOLS** before servicing and changing accessories, such as blades, bits, cutters, and the like.
16. **REDUCE THE RISK OF UNINTENTIONAL STARTING.** Make sure switch is in off position before plugging in.
17. **USE RECOMMENDED ACCESSORIES.** Consult the owner's manual for recommended accessories. The use of improper accessories may cause risk of injury.
18. **CHECK DAMAGED PARTS.** Before further use of the tool, a guard or other part that is damaged should be carefully checked to determine that it will operate properly and perform its intended function-check for alignment of moving parts, binding of moving parts, breakage of parts, mounting, and any other conditions that may affect its operation. A guard or other part that is damaged should be properly repaired or replaced.
19. **DIRECTION OF FEED.** Feed work into a blade or cutter against the direction of rotation of the blade or cutter only.
20. **NEVER LEAVE TOOL RUNNING UNATTENDED. TURN POWER OFF.** Don't leave tool until it comes to a complete stop.

Additional Safety Instructions For Scroll Saws

1. Make sure saw teeth are pointed down toward the table.
2. Maintain proper blade tension.
3. When making adjustments, keep power off *and* the power cord unplugged.
4. To test adjustments, rotate the Rocker Arm slowly by hand. Never assume an adjustment is correct and then turn the power on.
5. Adjust Hold-down Foot so it barely touches your workpiece.
6. Feed stock into the blade using a slow, steady, even pressure.
7. Keep workpiece firmly against the table.
8. Wait until all motion is stopped before clearing cutoff pieces away from the blade.
9. Habits are hard to break, good and bad. Develop good habits and safety will become second nature to you.

SECTION 2: CIRCUIT REQUIREMENTS

110V Operation

Your G1060 22" Scroll Saw is prewired for 110 volt, single phase operation. The 1/8" H.P. motor draws approximately 2.2 amps. We strongly recommend fusing your Scroll Saw at 15 amps. Fusing higher will not adequately protect the motor.

Although the G1060 22" Scroll Saw does not draw a large load, if you're using a circuit that is already close to capacity, it might blow a fuse or trip a circuit breaker. If an unusual load does not exist and power failure still occurs, have the circuit inspected by a qualified electrician.

CAUTION: Be sure that your particular electrical configuration complies with local and state codes. The best way to ensure compliance is to check with your local municipality or licensed electrician.



Grounding

CAUTION: THIS TOOL MUST BE GROUNDED WHILE IN USE TO PROTECT THE OPERATOR FROM ELECTRIC SHOCK.

In the event of a malfunction or breakdown, grounding provides a path of least resistance for electric current to reduce the risk of electric shock. This tool is equipped with an electric cord having an equipment-grounding conductor and a grounding plug. The plug must be plugged into a matching outlet that is properly installed and grounded in accordance with all local codes and ordinances.

Improper connections of the electrical-grounding conductor can result in risk of electric shock. The conductor with green or green and yellow striped insulation is the electrical-grounding conductor. If repair or replacement of the electric cord or plug is necessary, do not connect the equipment grounding conductor to a live terminal.

Under no circumstances should the grounding pin from any three-pronged plug be removed. If it will not fit the outlet, have the proper outlet installed by a qualified electrician.

Check with a qualified electrician or one of our service personnel if the grounding instructions are not completely understood, or if in doubt as to whether the tool is properly grounded. Use only 3-wire extension cords that have 3-prong grounding type plugs and 3-hole receptacles that accept the tool's plug. **Figure 1.**

Repair or replace damaged or worn cord immediately.

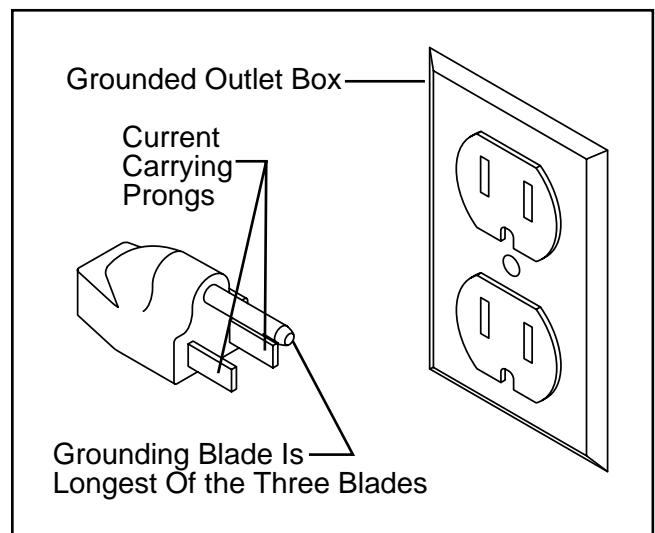


Figure 1.



SECTION 3: GENERAL INFORMATION

Grizzly Imports, Inc. is proud to offer the Model G1060 22" Scroll Saw. The G1060 is part of Grizzly's growing family of fine woodworking and metalworking machinery. When used according to the guidelines stated in this manual, you can expect years of trouble-free, enjoyable operation.

The Model G1060 is capable of a wide variety of operations. The 22" throat capacity enables you to maneuver large workpieces for a variety of intricate operations. The G1060 comes complete with base, motor and electrical package. It also features a safety shield and an air pump to keep the cutting line visible during operation.

We are also pleased to provide this manual with the Model G1060. It was written to guide you through assembly, review safety considerations, and cover general operating procedures. It represents our latest effort to produce the best documentation possible. If you have any criticisms that you feel we should address in our next printing, please write to us at the Bellingham, WA address at the end of this section.

Most important, we stand behind our machines. We have an excellent service department at your disposal should the need arise. If you have any service questions or parts requests, please call or write to us at the location listed below.

Grizzly Industrial, Inc.
1203 Lycoming Mall Circle
Muncy, PA 17756
Phone:(570) 546-9663
Fax:(800) 438-5901
E-Mail: techsupport@grizzly.com
Web Site: <http://www.grizzly.com>

To comment on this manual write to:

Grizzly Industrial, Inc.
% Technical Documentation
P.O. Box 2069
Bellingham, WA 98227

To operate this, or any other power tool safely and efficiently, it is essential to become as familiar with it as possible. The time you invest before you begin to use your Model G1060 Scroll Saw will be time well spent. **DO NOT** operate this machine until you are completely familiar with the contents of this manual.

Unpacking

The Model G1060 22" Scroll Saw is shipped from the manufacturer in a carefully packed carton. If you discover the machine is damaged after you've signed for delivery, *please call Customer Service immediately for advice.*

Save the containers and all packing materials for possible inspection by the carrier or its agent. *Otherwise filing a freight claim can be difficult.*

Caution: The G1060 weighs 56 lbs. **DO NOT** over-exert yourself while unpacking or moving your machine – get assistance.

When you are completely satisfied with the condition of your shipment, you should inventory its parts.



Piece Inventory

After all the parts have been removed from the carton, you should have:

- Scroll Saw Assembly
- Hardware

Hardware	Qty
Mounting Rod	1
1/4" - 20 Wing Nut	1
1/4" Washer	1
Support Post	1
Safety Shield	1
Mounting Clip	1

In the event that any non-proprietary parts are missing (e.g. a nut or a washer), we would be glad to replace them, or, for the sake of expediency, replacements can be obtained at your local hardware store.



Clean up

The working table for the G1060 is coated with a waxy oil that protects them from corrosion during shipment. Remove the protective coating with mineral spirits and paper towels. Do not use gasoline or other petroleum based solvents because of their extremely low flash points. Do not use chlorine-based solvents – if you happen to splash some onto a painted surface, you'll ruin the finish.

WARNING!

Follow the safety rules listed below when working with solvents:

1. Read and follow all directions and warnings on the solvent label.
2. Work only in a well ventilated area.
3. Do not work near any type of open flame (e.g., pilot lights, kerosene heaters, and so on).
4. **DO NOT** smoke while working with flammable material.
5. Paper towels from the cleaning process are extremely combustible. Dispose of waste towels so they do not create a fire hazard.



Site Considerations

1. **Working Clearances:** Consider existing and anticipated needs, size of material to be processed through the machine, and space for auxiliary stands, work tables or other machinery when establishing a location for your scroll saw.
2. **Lighting and Outlets:** Lighting should be bright enough to eliminate shadow and prevent eye strain. Electrical circuits should be dedicated or large enough to handle amperage requirements. Outlets should be located near each machine so power or extension cords are clear of high-traffic areas. Observe local electrical codes for proper installation of new lighting, outlets, or circuits.



SECTION 4: ASSEMBLY

Safety Shield

The only real assembly required for your scroll saw is to attach the safety shield to the support post.

1. Slide the mounting clip over the threaded end of the mounting rod and secure with wing nut provided.
2. Mount the shield assembly to the support post by sliding the mounting clip onto the support post and securing in the desired position. **Figure 2.**



Figure 2.



SECTION 5: ADJUSTMENTS

Changing Blades

1. Remove Safety Shield assembly.
2. Remove Table Insert and flip open Chuck Guards. **Figure 3.**

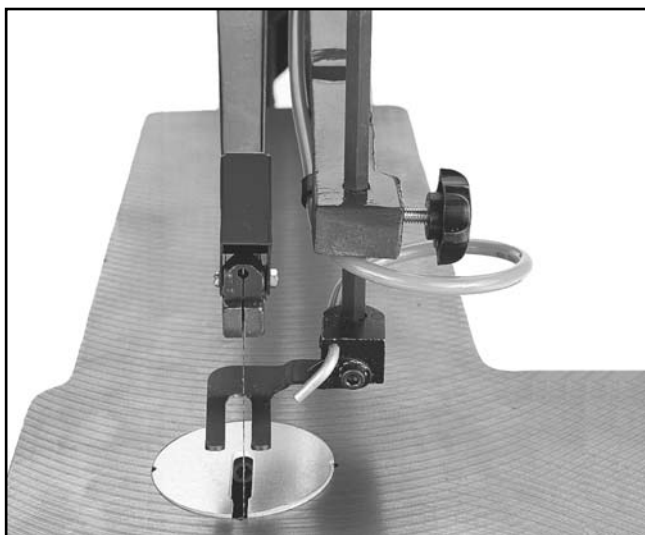


Figure 3.

3. Mount Blade in Chucks. This can be done with the help of the Chuck Holder, located on the right edge of the table. **Figure 4.**
4. Mount Chucks between Upper and Lower Arms (Blade teeth should be pointing down toward the table) and close Chuck Guard. Don't replace the Safety Shield or Table Insert just yet - wait until after you've adjusted blade tension.

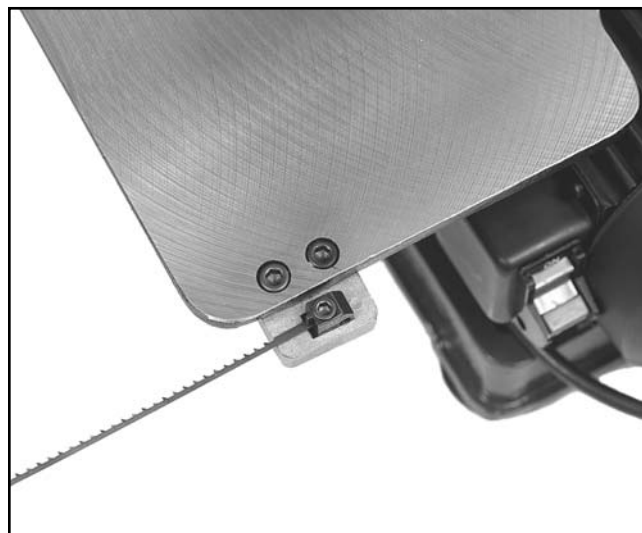


Figure 4.



Blade Tension

1. Turn the Blade Tension Adjustment Knob clockwise to tighten, counterclockwise to loosen. **Figure 5.** Proper tension is difficult to quantify, but as you turn the knob clockwise, you will notice when the blade initially begins to tighten. The moment you feel the blade tighten, give the knob about another $\frac{1}{4}$ turn and then stop. Getting the blade any tighter than this could snap it or cause unnecessary strain on the chucks.
2. Once you have achieved proper blade tension, replace the table insert and safety shield assembly.



Figure 5.



Table Tilt

Your Scroll Saw can handle any sort of bevel cut between 0 and 30°. Before you try this, however, make sure the blade is perpendicular to the table. Recalibration of this setting is easy.

1. Find a small block of wood that is known to be square.
2. Loosen Tilt Adjustment Knob located directly under the table.
3. Place block against Blade. If there is any space between the block and the blade, the table is not at 90°. Adjust the table to close this space. **Figure 6.**

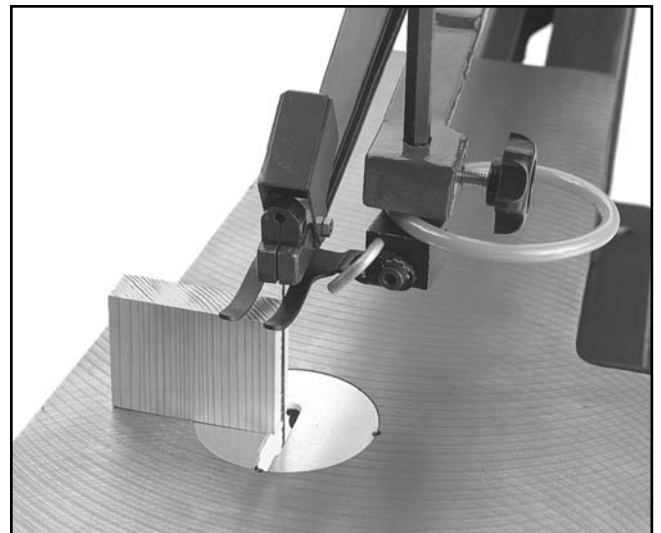


Figure 6.

4. Once you are sure the Table is at 90°, tighten the Tilt Adjustment Knob. It will also be necessary to loosen the pointer and reset it.

Now that the table is perpendicular to the blade, any angle you set between 0 and 30° will be accurate. To do this:

1. Facing the Saw, turn the Table Insert 90° to the right as shown in **Figure 7**.

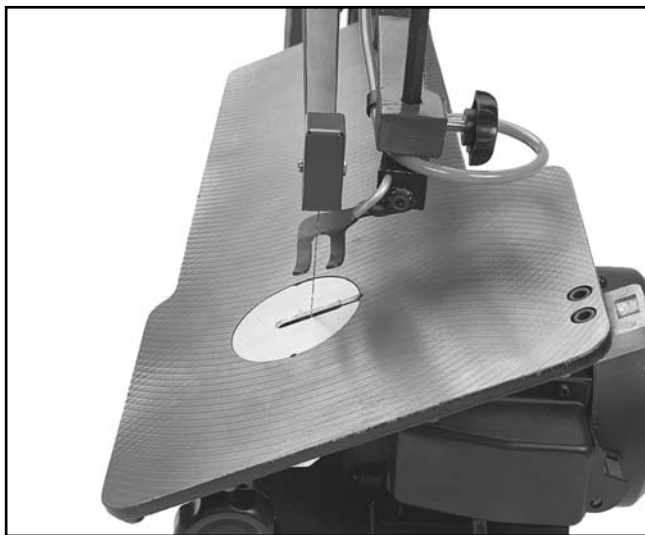


Figure 7.

2. Under the Table and to the left, locate the Tilt Adjustment Knob. Turn the knob counter-clockwise and lift the right edge of the table. When the table reaches the desired angle, tighten the Tilt Adjustment Knob.



Safety Shield

Always wear safety glasses. The Safety Shield included with your Scroll Saw should be used as additional protection for your face and eyes should the blade snap or material be ejected from the blade area toward your head. To adjust the safety shields:

1. Loosen the Wing Nut on the Support Clip. **Figure 8.**
2. Swivel Shield into desired position.
3. Tighten Wing Nut.



Figure 8.



SECTION 6: OPERATIONS

Test Run

Once assembly is complete and adjustments are done to your satisfaction, you are ready to test the machine.

Turn on the power supply at the main panel. Press the START button. Make sure that your finger is poised on the STOP button, just in case there's a problem. The scroll saw should run smoothly, with little or no vibration or rubbing noises. Strange or unnatural noises should be investigated and corrected before operating the machine further.

WARNING: DO NOT attempt to investigate or adjust the machine while it is running. Wait until the machine is turned off, unplugged and all working parts have come to a rest before you do anything!

If you cannot easily locate the source of an unusual noise or vibration, feel free to contact our service department for help.

Your scroll saw can perform a variety of intricate cuts: straight, curved, bevel, inside, and so on. The kind of work you produce with it is limited only by your imagination.

In this section we'll cover the four basic types of cuts from which all others are variations. Please keep in mind that these are standard guidelines; they are by no means the only correct ways to use your Scroll Saw. **NOTE:** Safety Shield is removed for photographic clarity in this section.



Straight Cuts

1. Scribe a straight line on your workpiece with a sharp pencil or scratch awl.
2. Adjust Hold-down Foot so it barely touches the workpiece.
3. Turn power on. Allow motor to get up to speed and push workpiece slowly and steadily into the blade, keeping your hands to either side of the cutting line. Make sure the blade is cutting to the waste side of the line. **Figure 9.**

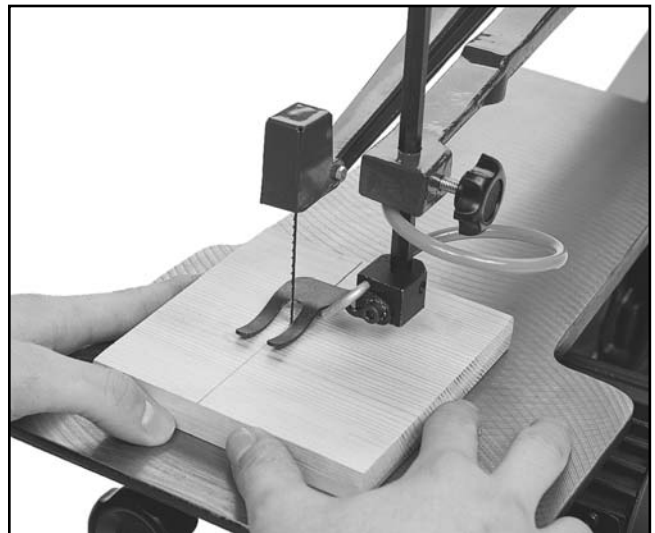


Figure 9.



Curved Cuts

1. Scribe a curved line on your workpiece with a sharp pencil or scratch awl.
2. Adjust Hold-down Foot as for straight cutting.
3. Maintaining a slow, even pressure, feed the workpiece into the blade. Approaching a tight radius, slow down your feed rate, but don't stop. The blade must do the cutting; don't force the piece into the blade faster than the machine can handle, especially on a curve. This will cause the blade to twist, which increases the risk of breakage. At all times, keep the workpiece flat against the table, and keep an eye on the blade to make sure it doesn't twist.
4. If your cut produces waste in the curve's interior, turn the power off and wait until all motion stops before removing the waste against the blade. **Figure 10.**

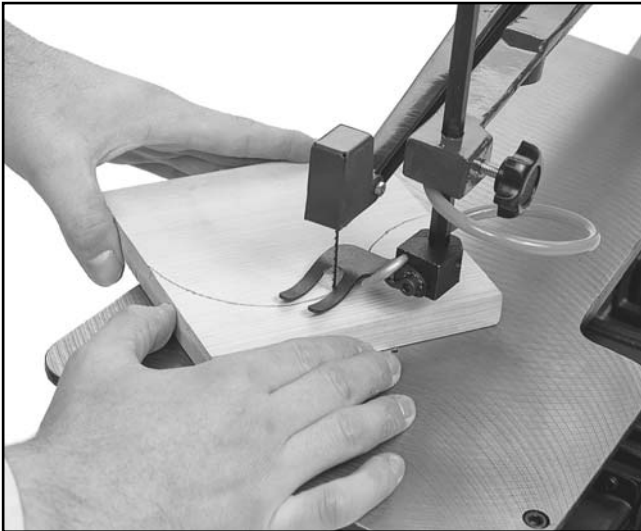


Figure 10.



Bevel Cuts

1. Scribe your workpiece as described in the previous two sections.
2. Adjust table to desired angle.
3. Adjust the Hold-down Foot to the same angle as the table. Its adjustment bolt is shown in **Figure 11.** As with the other cuts, make it touch, not clamp your workpiece.
4. Using the same principles as in the previous sections, feed the work slowly and evenly into the blade, remembering not to force the workpiece.
5. Wait until all motion has stopped before removing waste close to the blade.

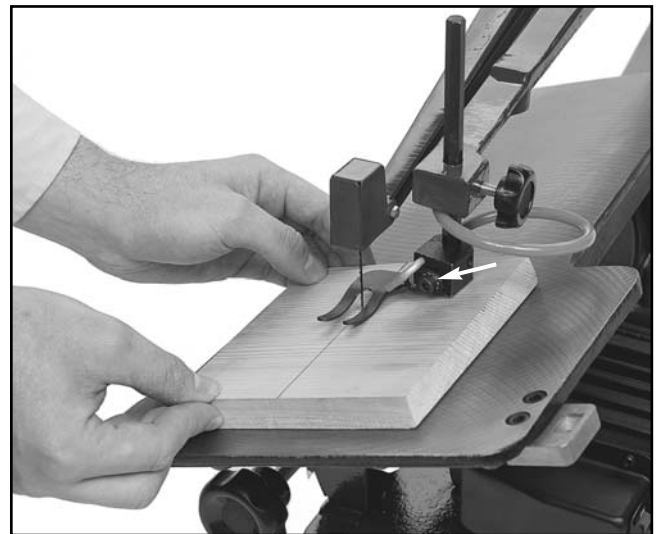


Figure 11.



Inside Cuts

Inside cuts such as circles or the insides of closed letters can be easily cut with your Scroll Saw by threading the blade through the workpiece's closed loop from the bottom and remounting the blade in the chucks. This procedure is described below.

1. Remove Table Insert.
2. Flip open Chuck Guard and loosen Upper Arm Chuck.
3. Remove blade from the Upper Chuck using Chuck Holder.
4. Drill a hole in the waste portion of the workpiece.
5. Thread the Blade through the workpiece and let the workpiece rest on the table. Remount Blade in Chuck, carefully aligning the ridge on the bottom of the Chuck to the V-groove in the Upper Arm. **Figure 12.**

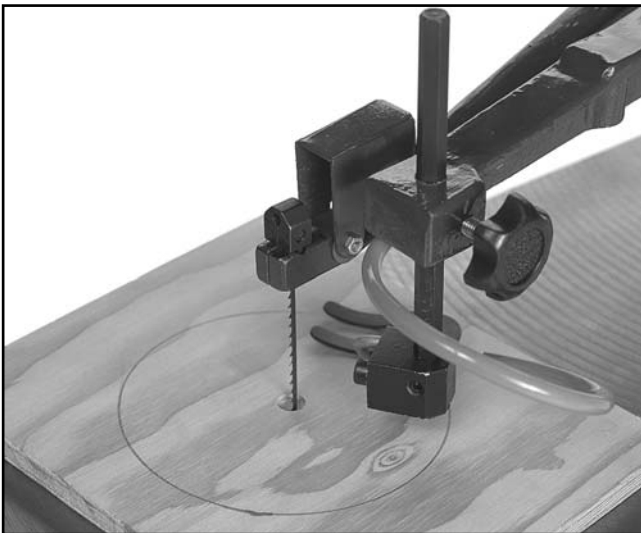


Figure 12.

6. Secure the Blade in the Chuck. This will require an Allen wrench and a pair of pliers. **Figure 13.**
7. Replace Table Insert.
8. Make cuts.
9. Remove blade from the chuck to release the workpiece.

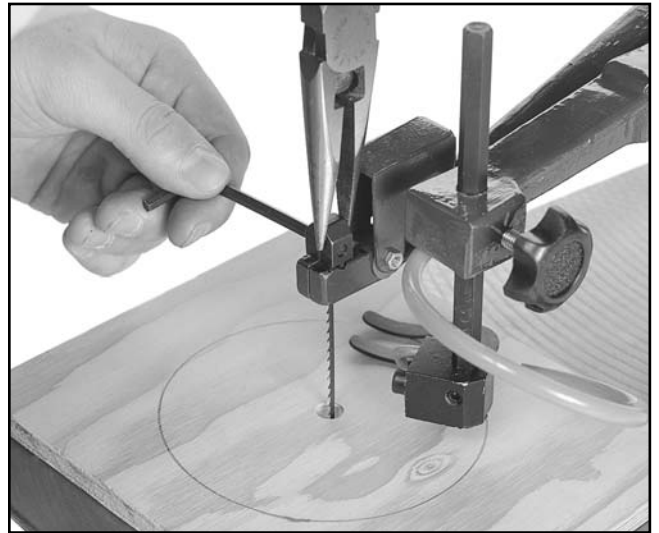


Figure 13.



SECTION 7: MAINTENANCE

General

Regular periodic maintenance on your Model G1060 Scroll Saw will ensure its optimum performance. Make a habit of inspecting your scroll saw each time you use it. Check for the following conditions and repair or replace when necessary.

Caution: Always perform any maintenance with the power off and the machine unplugged.

1. Loose bolts.
2. Worn switch.
3. Worn or damaged cords and plugs.
4. Any other condition that could hamper the safe operation of this machine.



Working Table

The working table can be kept slippery and rust-free with regular applications of talcum powder. Rub the powder into the table tops with either a felt brick (i.e.-common chalk board eraser) or a chamois cloth.

We do not recommend wax or paraffin; eventually, the buildup will impede the smooth movement of your lumber over the table surfaces.



Lubrication

Lubricate the upper and lower guide arm bushings once a month. Light machine oil will be adequate. Damage to the motor may result if the bushings are allowed to run dry.

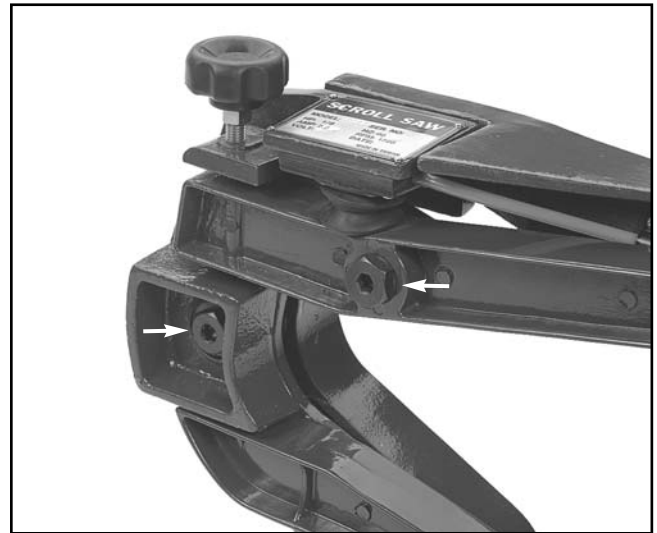


Figure 14.



SECTION 8: CLOSURE

The following pages contain general machine data, parts diagrams/lists, troubleshooting guide and warranty/return information for your Model G1060 22" Scroll Saw.

If you need parts or help in assembling your machine, or if you need operational information, we encourage you to call our Service Department. Our trained service technicians will be glad to help you.

If you have comments dealing specifically with this manual, please write to our Bellingham, Washington location using the address in the general information. The specifications, drawings, and photographs illustrated in this manual represent the Model G1060 as supplied when this manual was prepared. However, due to Grizzly's policy of continuous improvement, changes may be made at any time with no obligation on the part of Grizzly. Whenever possible, though, we send manual updates to all owners of a particular tool or machine. Should you receive one, add the new information to this manual and keep it for reference.

We have included some important safety measures that are essential to this machine's operation. While most safety measures are generally universal, Grizzly reminds you that each workshop is different and safety rules should be considered *as they apply to your specific situation*.

We recommend you keep a copy of our current catalog for complete information regarding Grizzly's warranty and return policy. If you need additional technical information relating to this machine, or if you need general assistance or replacement parts, please contact the Service Department listed in General Information.

Additional information sources are necessary to realize the full potential of this machine. Trade journals, woodworking magazines, and your local library are good places to start.

WARNING!

As with all power tools, there is danger associated with the Model G1060 22" Scroll Saw. Use the tool with respect and caution to lessen the possibility of mechanical damage or operator injury. If normal safety precautions are overlooked or ignored, injury to the operator or others in the area is likely.

The Model G1060 was specifically designed for sawing operations. **DO NOT MODIFY AND/OR USE THIS SCROLL SAW FOR ANY OTHER PURPOSE. Modifications or improper use of this tool will void the warranty.** If you are confused about any aspect of this machine, **DO NOT** use it until you have answered all your questions.

MACHINE DATA

GRIZZLY MODEL G1060 22" SCROLL SAW

Design Type Bench Model

Capacities:

Maximum Cutting Width.....22"
Maximum Cutting Height.....1⁷/₈"
Table Tilt0-30°

Overall Dimensions:

Base20¹/₂" x 8³/₄"
Table17³/₈" x 8³/₄"
Height.....15"
Width29"
Depth11"
Blade to Frame21¹/₂"
Container Dimensions10" x 19¹/₂" x 21"
Shipping Weight62 lbs.
Net Weight.....56¹/₂ lbs.

Blade and Movement:

Standard, Plain-end Blade5"
Cuts per minute1720
Stroke³/₄"

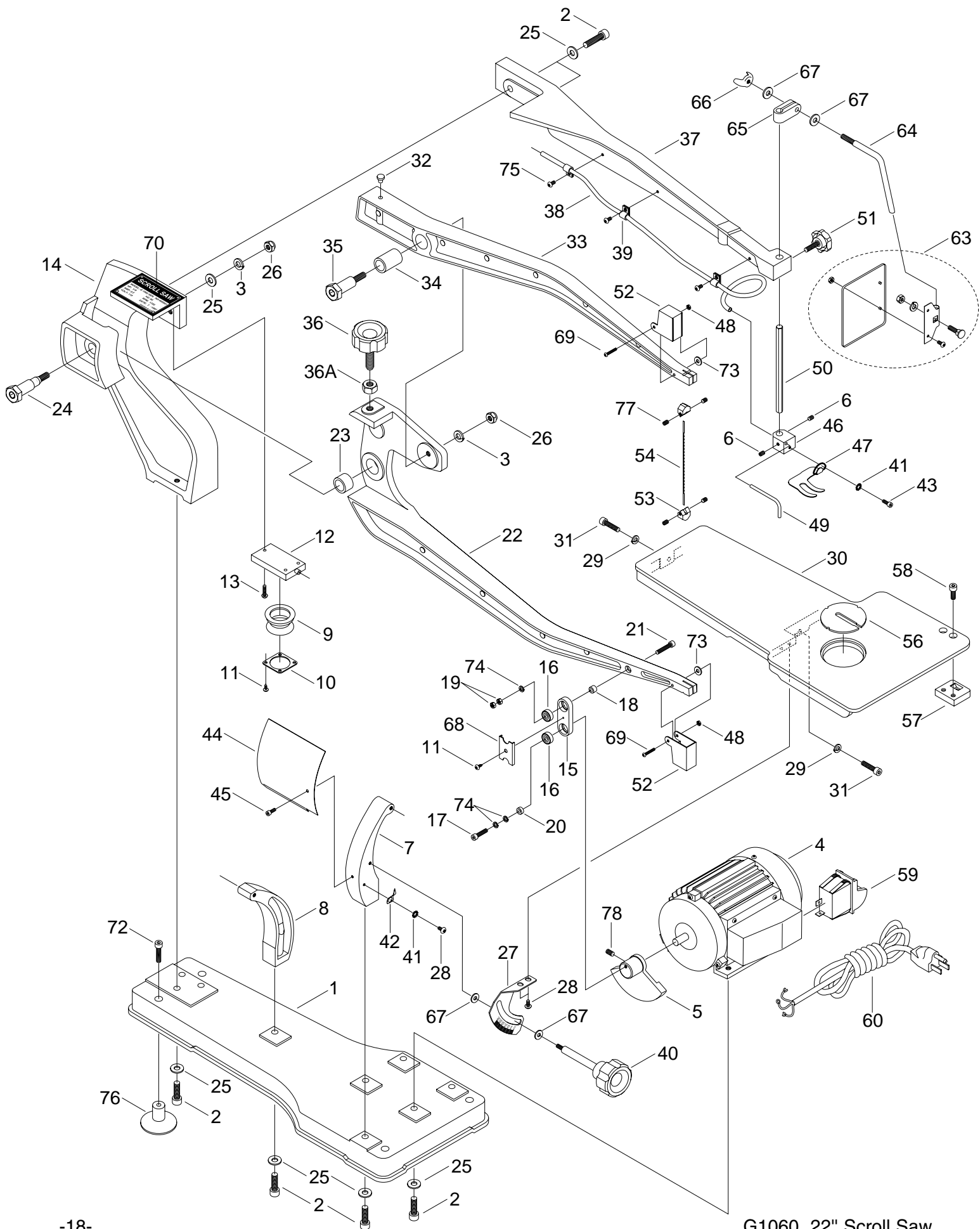
Construction:

BaseCast Iron
TableGround Cast Iron
Arms and Pillar.....Die Cast Aluminum

Motor:

Horsepower¹/₈ HP
Amps2.2
Phase Type/ VoltageSingle Phase / 110V
Cycle/ RPM60 Hertz/ 1720 RPM
SwitchOn/ Off Toggle with Removable Plastic Key
Power TransferBalanced Eccentric Fly Wheel
BearingsShielded & Permanently Lubricated

Specifications, while accurate, are subject to change without notice.



REF	PART #	DESCRIPTION
01	P1060001	BASE
02	PSB07M	CAP SCREW M8-1.25 X 24MM
03	PLW04M	LOCK WASHER 8MM
04	P1060004	MOTOR
05	P1060005	ROCKER ARM
06	PSS02M	SETSCREW M6-1.0 X 6MM
07	P1060007	FRONT STRUT
08	P1060008	REAR STRUT
09	P1060009	BELLOWS
10	P1060010	ANCHOR PLATE
11	PS12M	PHLP HD SCR M3-0.5 X 6MM
12	P1060012	PRESSURE PLATE
13	PS21M	PHLP HD SCR M4-0.7 X 15MM
14	P1060014	PILLAR
15	P1060015	CONNECTING LINK
16	P625	BEARING 625-ZZ
17	PSB15M	CAP SCREW M5-0.8 X 20MM
18	P1060018	SPACER
19	PN06M	HEX NUT M5-0.8MM
20	P1060020	SPACER
21	PSB38M	CAP SCREW M5-0.8 X 25MM
22	P1060022	LOWER ARM
23	P106023	BUSHING
24	P1060024	FULCRUM BOLT
25	PW01M	WASHER 8MM
26	PLN04M	LOCKNUT M8-1.25
27	P1060027	TABLE TILT GAUGE
28	PS05M	PHLP HD SCR M5-0.8 X 8MM
29	PLW03M	LOCK WASHER 6MM
30	P1060030	TABLE
31	PSB06M	CAP SCREW M6-1.0 X 25MM
32	P1060032	PLUG
33	P1060033	UPPER ARM
34	P1060034	BUSHING
35	P1060035	FULCRUM BOLT
36	P1060036	ADJUSTMENT KNOB
36A	PN02M	HEX NUT M10-1.5
37	P1060037	SUPPORT ARM
38	P1060038	AIR HOSE
39	P1060039	HOSE CLAMP

REF	PART #	DESCRIPTION
40	P1060040	ADJUSTMENT KNOB
41	P1060041	STAR WASHER 5MM
42	P1060042	POINTER
43	PS09M	CAP SCREW M5-0.8 X 10MM
44	P1060044	ROCKER GUARD
45	PSB03M	CAP SCREW M5-0.8 X 8MM
46	P1060046	REGULATOR
47	P1060047	HOLD-DOWN FOOT
48	PN07M	HEX NUT M3-0.5
49	P1060049	AIR NOZZLE
50	P1060050	SUPPORT POST
51	P1060051	ADJUSTMENT KNOB
52	P1060052	CHUCK GUARD
53*	P1060053	CHUCK
54	G1138	BLADE (SEE CATALOG)
56	P1060056	TABLE INSERT
57	P1060057	ANCHOR PLATE
58	PSB28M	CAP SCREW M6-1.0 X15MM
58A	PAW05M	ALLEN WRENCH 5MM
59	PSW07	SWITCH
60	P1060060	POWER CORD
61	P1060061	STRAIN RELIEF
62	PAW03M	ALLEN WRENCH 3MM
63	P1060063	SAFETY SHIELD
64	P1060064	MOUNTING ROD
65	P1060065	MOUNTING CLIP
66	PWN02	WING NUT ¼"-20
67	PW06	WASHER ¼"
68	P1060068	CONNECTING LINK PLATE
69	PS13M	SCREW M3-0.5 X 20MM
70	P1060070	LOGO PLATE
71	P1060071	RIVET
72	PSB06M	CAP SCREW M6-1.0 X 25MM
73	P1060073	FIBER WASHER
74	PLW01M	LOCK WASHER 5MM
75	PS02M	PHLP HD SCR M4-0.7 X 12MM
76	P1060076	RUBBER FOOT
77	PSS26M	SETSCREW M5-0.8 X 6MM
78	PSS01M	SETSCREW M6-1.0 X 10MM

*replacement chucks supplied with setscrews.

WARRANTY AND RETURNS

Grizzly Imports, Inc. warrants every product it sells for a period of **1 year** to the original purchaser from the date of purchase. This warranty does not apply to defects due directly or indirectly to misuse, abuse, negligence, accidents, repairs or alterations or lack of maintenance. This is Grizzly's sole written warranty and any and all warranties that may be implied by law, including any merchantability or fitness, for any particular purpose, are hereby limited to the duration of this written warranty. We do not warrant or represent that the merchandise complies with the provisions of any law or acts unless the manufacturer so warrants. In no event shall Grizzly's liability under this warranty exceed the purchase price paid for the product and any legal actions brought against Grizzly shall be tried in the State of Washington, County of Whatcom.

We shall in no event be liable for death, injuries to persons or property or for incidental, contingent, special, or consequential damages arising from the use of our products.

To take advantage of this warranty, contact us by mail or phone and give us all the details. We will then issue you a "Return Number", which must be clearly posted on the outside as well as the inside of the carton. We will not accept any item back without this number. Proof of purchase must accompany the merchandise.

The manufacturers reserve the right to change specifications at any time because they constantly strive to achieve better quality equipment. We make every effort to ensure that our products meet high quality and durability standards and we hope you never need to use this warranty.

Please feel free to write or call us if you have any questions about the machine or the manual.

Thank you again for your business and continued support. We hope to serve you again soon.

Free Manuals Download Website

<http://myh66.com>

<http://usermanuals.us>

<http://www.somanuals.com>

<http://www.4manuals.cc>

<http://www.manual-lib.com>

<http://www.404manual.com>

<http://www.luxmanual.com>

<http://aubethermostatmanual.com>

Golf course search by state

<http://golfingnear.com>

Email search by domain

<http://emailbydomain.com>

Auto manuals search

<http://auto.somanuals.com>

TV manuals search

<http://tv.somanuals.com>