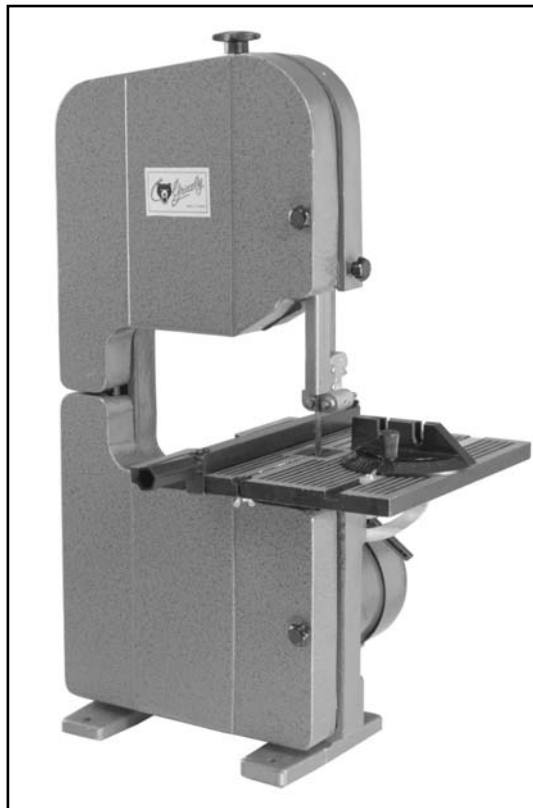


**9" BANDSAW**  
**MODEL G1052**  
**INSTRUCTION MANUAL**



COPYRIGHT © 1995 BY GRIZZLY INDUSTRIAL, INC.  
**WARNING: NO PORTION OF THIS MANUAL MAY BE REPRODUCED IN ANY SHAPE  
OR FORM WITHOUT THE WRITTEN APPROVAL OF GRIZZLY INDUSTRIAL, INC.**  
APRIL, 1999 PRINTED IN U.S.A.



# **WARNING!**

**Some dust created by power sanding, sawing, grinding, drilling, and other construction activities contains chemicals known to the State of California to cause cancer, birth defects or other reproductive harm. Some examples of these chemical are:**

- **Lead from lead-based paints.**
- **Crystalline silica from bricks, cement and other masonry products.**
- **Arsenic and chromium from chemically-treated lumber.**

**Your risk from these exposures varies, depending on how often you do this type of work. To reduce your exposure to these chemicals: Work in a well ventilated area, and work with approved safety equipment, such as those dust masks that are specially designed to filter out microscopic particles.**

# Table Of Contents

	PAGE
<b>1. SAFETY</b>	
SAFETY RULES FOR POWER TOOLS .....	2-3
ADDITIONAL SAFETY INSTRUCTIONS FOR BANDSAWS .....	4
<b>2. CIRCUIT REQUIREMENTS</b>	
220V OPERATION .....	5
FUSING .....	5
GROUNDING .....	5
EXTENSION CORDS .....	5
<b>3. INTRODUCTION</b>	
COMMENTARY .....	6
UNPACKING .....	7
PIECE INVENTORY .....	7
CLEAN UP .....	8
SITE CONSIDERATIONS .....	8
<b>4. ASSEMBLY</b>	
BANDSAW UNIT .....	9
TABLE .....	9
<b>5. ADJUSTMENTS</b>	
BLADE ADJUSTMENTS .....	10
TENSION .....	10
CO-PLANARITY .....	11
TRACKING .....	12
BLADE GUIDES .....	12-13
TABLE ADJUSTMENTS .....	14
CHANGING BLADES .....	15
GUIDE POST .....	16
<b>6. OPERATIONS</b>	
OVERVIEW .....	17
TEST RUN .....	17
BLADE INFORMATION .....	18
RIPPING .....	18
CROSSCUTTING .....	19
CUTTING CURVES .....	19
STACKED CUTS .....	19
<b>7. MAINTENANCE</b>	
GENERAL .....	20
LUBRICATION .....	20
TABLES .....	20
<b>8. CLOSURE</b> .....	21
<b>MACHINE DATA</b> .....	22
<b>PARTS BREAKDOWN AND PARTS LISTS</b> .....	23-28
<b>TROUBLESHOOTING</b> .....	29
<b>WARRANTY AND RETURNS</b> .....	30

# SECTION 1: SAFETY

## WARNING

### For Your Own Safety Read Instruction Manual Before Operating This Equipment

The purpose of safety symbols is to attract your attention to possible hazardous conditions. This manual uses a series of symbols and signal words which are intended to convey the level of importance of the safety messages. The progression of symbols is described below. Remember that safety messages by themselves do not eliminate danger and are not a substitute for proper accident prevention measures.



Indicates an imminently hazardous situation which, if not avoided, WILL result in death or serious injury.



Indicates a potentially hazardous situation which, if not avoided, COULD result in death or serious injury.



Indicates a potentially hazardous situation which, if not avoided, MAY result in minor or moderate injury. It may also be used to alert against unsafe practices.

## NOTICE

This symbol is used to alert the user to useful information about proper operation of the equipment.

## WARNING

### Safety Instructions For Power Tools

1. **KEEP GUARDS IN PLACE** and in working order.
2. **REMOVE ADJUSTING KEYS AND WRENCHES.** Form habit of checking to see that keys and adjusting wrenches are removed from tool before turning on.
3. **KEEP WORK AREA CLEAN.** Cluttered areas and benches invite accidents.
4. **DON'T USE IN DANGEROUS ENVIRONMENT.** Don't use power tools in damp or wet locations, or where any flammable or noxious fumes may exist. Keep work area well lighted.
5. **KEEP CHILDREN AND VISITORS AWAY.** All children and visitors should be kept a safe distance from work area.
6. **MAKE WORK SHOP CHILD PROOF** with padlocks, master switches, or by removing starter keys.
7. **DON'T FORCE TOOL.** It will do the job better and safer at the rate for which it was designed.
8. **USE RIGHT TOOL.** Don't force tool or attachment to do a job for which it was not designed.

# WARNING

## Safety Instructions For Power Tools

- 9. USE PROPER EXTENSION CORD.** Make sure your extension cord is in good condition. Conductor size should be in accordance with the chart below. The amperage rating should be listed on the motor or tool nameplate. An undersized cord will cause a drop in line voltage resulting in loss of power and overheating. Your extension cord must also contain a ground wire and plug pin. Always repair or replace extension cords if they become damaged.

Minimum Gauge for Extension Cords

AMP RATING	LENGTH		
	25ft	50ft	100ft
0-6	18	16	16
7-10	18	16	14
11-12	16	16	14
13-16	14	12	12
17-20	12	12	10
21-30	10	10	No

- 10. WEAR PROPER APPAREL.** Do not wear loose clothing, gloves, neckties, rings, bracelets, or other jewelry which may get caught in moving parts. Non-slip footwear is recommended. Wear protective hair covering to contain long hair.
- 11. ALWAYS USE SAFETY GLASSES.** Also use face or dust mask if cutting operation is dusty. Everyday eyeglasses only have impact resistant lenses, they are NOT safety glasses.
- 12. SECURE WORK.** Use clamps or a vise to hold work when practical. It's safer than using your hand and frees both hands to operate tool.
- 13. DON'T OVERREACH.** Keep proper footing and balance at all times.
- 14. MAINTAIN TOOLS WITH CARE.** Keep tools sharp and clean for best and safest performance. Follow instructions for lubricating and changing accessories.
- 15. DISCONNECT TOOLS** before servicing and changing accessories, such as blades, bits, cutters, and the like.
- 16. REDUCE THE RISK OF UNINTENTIONAL STARTING.** Make sure switch is in off position before plugging in.
- 17. USE RECOMMENDED ACCESSORIES.** Consult the owner's manual for recommended accessories. The use of improper accessories may cause risk of injury.
- 18. CHECK DAMAGED PARTS.** Before further use of the tool, a guard or other part that is damaged should be carefully checked to determine that it will operate properly and perform its intended function. Check for alignment of moving parts, binding of moving parts, breakage of parts, mounting, and any other conditions that may affect its operation. A guard or other part that is damaged should be properly repaired or replaced.
- 19. NEVER LEAVE TOOL RUNNING UNATTENDED. TURN POWER OFF.** Don't leave tool until it comes to a complete stop.

## **WARNING**

# **Additional Safety Instructions For Bandsaws**

1. Do not operate your bandsaw with dull or badly worn blades. Dull blades require more effort to use and are difficult to control. Inspect blades before each use.
2. Never position fingers or thumbs in line with the cut. Serious personal injury could occur.
3. Always support round stock in a V-block.
4. Ensure that the machine sits firmly on the floor before use. Any “wobbles” must be corrected by shimming or blocking before operation.
5. Make sure blade has been properly tensioned.
6. Always feed stock evenly and smoothly. Do not force or twist blade while cutting, especially when sawing small radii.
7. This machine is not designed to cut metal or other material except wood.
8. When replacing blades, make sure teeth face down towards the table. The force of the cut is always down.
9. Habits – good and bad – are hard to break. Develop good habits in your shop and safety will become second-nature to you.
10. Do not manually stop or slow blade after turning the saw off.

## **WARNING**

Like all power tools, there is danger associated with the Model G1052 9" Bandsaw. Use the tool with respect and caution to lessen the possibility of mechanical damage or operator injury. If normal safety precautions are overlooked or ignored, serious injury may occur.

## **CAUTION**

No list of safety guidelines can be complete. Every shop environment is different. Always consider safety first, as it applies to your individual working conditions. Use this and other machinery with caution and respect. Failure to do so could result in serious personal injury, damage to equipment or poor work results.

## **WARNING**

Operating this equipment has the potential for flying debris to cause eye injury. Always wear safety glasses or goggles when operating equipment. Everyday glasses or reading glasses only have impact resistant lenses, they are not safety glasses. Be certain the safety glasses you wear meet the appropriate standards of the American National Standards Institute (ANSI).

# SECTION 2: CIRCUIT REQUIREMENTS

## 110V Operation

The Model G1052 has a  $\frac{1}{2}$  HP motor which operates at 110V. It includes a complete cordset with a grounded plug that's made for use with a grounded domestic 110V outlet.

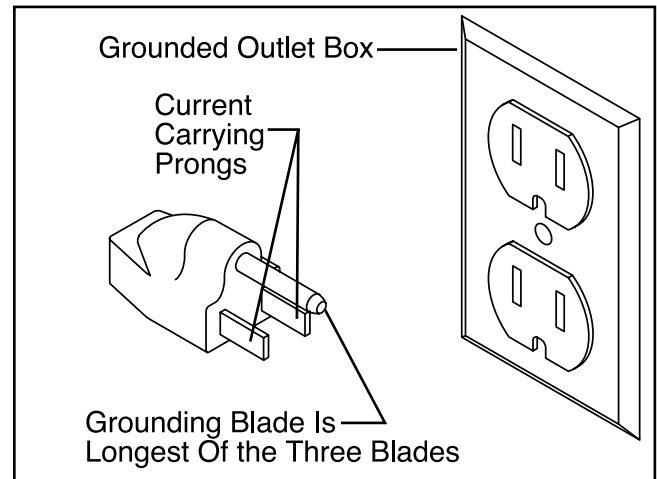
The G1052 motor will safely draw about 8 amps at 110V under load. If you operate the bandsaw on any circuit that is already close to its capacity, it might blow a fuse or trip a circuit breaker. However, if an unusual load does not exist, and power failure still occurs, have the circuit inspected by a qualified electrician.

## Fusing

The Model G1052 should be fused at 15 amps. Fusing at amperage ratings higher than 15 amps will not adequately protect the motor. You are cautioned that equipment that is returned to us for service that shows evidence of being overfused will be repaired or replaced totally at the customer's expense, regardless of the present warranty status.

## Grounding

In the event of an electrical short, grounding reduces the risk of electric shock by providing a path of least resistance to disperse electric current. This tool is equipped with a power cord which has an equipment grounding conductor. The outlet must be properly installed and grounded in accordance with local codes. Refer to **Figure 1** for the proper outlet and plug configuration.



**Figure 1.** Recommended outlet/plug configuration.

## ⚠ WARNING

**This equipment must be grounded, there is a risk of severe electrical shock.** Verify that any existing electrical outlet and circuit you intend to plug into is actually grounded. If it is not, it will be necessary to run a separate 14 A.W.G. copper grounding wire from the outlet to a known ground. Consult a qualified electrician if you are uncertain of the grounding of your electrical system. Under no circumstances should the grounding pin from any three-pronged plug be removed. **Serious injury may occur.**

## Extension Cords

If you find it necessary to use an extension cord with the Model G1052, make sure the cord is rated Hard Service (grade S) or better. Refer to the chart in the standard safety instructions to determine the minimum gauge for the extension cord. The extension cord must also contain a ground wire and plug pin. Always repair or replace extension cords when they become worn or damaged.



# SECTION 3: INTRODUCTION

---

---

## Commentary

---

---

Grizzly Industrial, Inc. is proud to introduce the Model G1052 9" Bandsaw. This saw is a part of Grizzly's growing family of fine woodworking machinery. When used according to the guidelines stated in this manual, you can expect years of trouble-free, enjoyable operation, and proof of Grizzly's commitment to customer satisfaction.

The G1052 features a cast iron, one piece body, direct drive wheels, and a 4 $\frac{1}{8}$ " cutting height. Also included are a fence, miter gauge, guards,  $\frac{1}{2}$ " blade, and a complete electrical package. The saw is equipped with a 1720 RPM,  $\frac{1}{2}$  HP motor that drives the blade at 1430 FPM.

We are also pleased to provide this manual with the G1052. It was written to guide you through assembly, review safety considerations, and cover general operating procedures. It represents our latest effort to produce the best documentation possible. If you have any criticisms that you feel we should pay attention to in our next printing, please write to us at the address below:

Grizzly Industrial, Inc.  
c/o Technical Documentation  
P.O. Box 2069  
Bellingham, WA 98227-2069

Most importantly, we stand behind our machines. If you have any service questions or parts requests, please call or write us at the location listed below.

Grizzly Industrial, Inc.  
1203 Lycoming Mall Circle  
Muncy, PA 17756  
Phone: (570) 546-9663  
Fax: (800) 438-5901  
E-Mail: [techsupport@grizzly.com](mailto:techsupport@grizzly.com)  
Web Site: <http://www.grizzly.com>

The specifications, drawings, and photographs illustrated in this manual represent the Model G1052 as supplied when the manual was prepared. However, owing to Grizzly's policy of continuous improvement, changes may be made at any time with no obligation on the part of Grizzly. Whenever possible, though, we send manual updates to all owners of a particular tool or machine. Should you receive one, we urge you to insert the new information with the old and keep it for reference.

### CAUTION

**To operate this or any power tool safely and efficiently, it is essential to become as familiar with it as possible. The time you invest before you begin to use your Model G1052 will be time well spent. DO NOT operate this machine until you are completely familiar with the contents of this manual. Serious personal injury may occur.**





# Unpacking

---

---

The bandsaw is shipped from the factory in a carefully packed carton. If you find the machine to be damaged after you've signed for delivery and the truck and driver are already gone, you will need to file a freight claim with the carrier. Save the containers and all packing materials for inspection by the carrier or their agent. Without the packing materials, filing a freight claim can be difficult. If you need advice regarding this situation, please call us immediately.

When you are completely satisfied with the condition of your shipment, you should inventory its parts.

## WARNING

The G1052 is a heavy machine with a shipping weight of 100 lbs. **DO NOT** over-exert yourself while unpacking or moving your machine – get assistance. In the event that your bandsaw must be moved up or down a flight of stairs, be sure that the stairs are capable of supporting the combined weight of people and the machine. Serious personal injury may occur.

## NOTICE

Save all containers and packing materials until you are satisfied that your bandsaw has arrived in good condition. Freight company adjusters will want to inspect those materials in the event that a freight claim must be made.



# Parts Inventory

---

---

When you are completely satisfied with the condition of your shipment, you should inventory its parts.

With all the parts removed from the container, you should have:

- Bandsaw Unit with Blade
- Miter Gauge
- Table
- Fence

If anything is missing, call or write to the service department listed earlier in this section.

## NOTICE

A full parts list and breakdown can be found toward the end of this manual. For easier assembly, or to identify missing parts, please refer to the detailed illustrations at the end of the manual.



# Clean Up

---

---

The unpainted surfaces are coated with a waxy oil to protect it from corrosion during shipment. Remove this protective coating with a solvent cleaner or citrus-based degreaser. Avoid chlorine-based solvents as they may damage painted surfaces should they come in contact. Always follow the usage instructions on the product you choose for clean up.

## CAUTION

Many of the solvents commonly used to clean machinery can be highly flammable, and toxic when inhaled or ingested. Always work in well-ventilated areas far from potential ignition sources when dealing with solvents. Use care when disposing of waste rags and towels to be sure they do not create fire or environmental hazards. Keep children and animals safely away when cleaning and assembling this machine.

## CAUTION

Some die-cut metal parts may have sharp edges (called “flashing”) on them after they are formed. Please examine the edges of all die-cut metal parts before handling them. Failure to do so could result in injury.

## WARNING

Do not use gasoline or other petroleum-based solvents to remove this protective coating. These products generally have low flash points which makes them extremely flammable. A risk of explosion and burning exists if these products are used. Serious personal injury may occur.



# Site Considerations

---

---

## BENCH LOAD

Your G1052 Bandsaw represents a moderately large weight load in a small footprint. Most commercial or home shop benches should be sufficient to carry the weight of the G1052. If you question the strength of your workbench, you can opt to reinforce it, or consider placing the bandsaw on a freestanding bench like Grizzly's Shop Fox<sup>®</sup> tool table.

## WORKING CLEARANCES

Working clearances can be thought of as the distances between machines and obstacles that allow safe operation of every machine without limitation. Consider existing and anticipated machine needs, size of material to be processed through each machine, and space for auxiliary stands and/or work tables. Also consider the relative position of each machine to one another for efficient material handling. Be sure to allow yourself sufficient room to safely run your machines in any foreseeable operation.

## LIGHTING AND OUTLETS

Lighting should be bright enough to eliminate shadow and prevent eye strain. Electrical circuits should be dedicated or large enough to handle combined motor amp loads. Outlets should be located near each machine so power or extension cords are not obstructing high-traffic areas. Be sure to observe local electrical codes for proper installation of new lighting, outlets, or circuits.

## CAUTION

Make your shop “child safe”. Ensure that your workplace is inaccessible to youngsters by closing and locking all entrances when you are away. Never allow visitors in your shop when assembling, adjusting or operating equipment.



# SECTION 4: ASSEMBLY

## Bandsaw Unit

For maximum stability, the G1052 must be securely mounted to your workbench.

### NOTICE

The numbers in parentheses following part names correspond with numbered parts in the diagrams in the back of this manual.

#### To mount the bandsaw:

1. Place the bandsaw unit on its intended work surface. Please refer to the guidelines in the "Site Consideration" section on the previous page if you have questions regarding an acceptable base for the bandsaw.
2. Using the mounting holes in the feet of the bandsaw as a template, mark your bench top for hole locations.
3. Move the Bandsaw out of the way for now.
4. Using the marks you made in step 2, drill four (4) 1/2" holes through your bench top.
5. Use 3/8" diameter bolts of appropriate length, nuts, and large washers to secure your Bandsaw to the bench top.

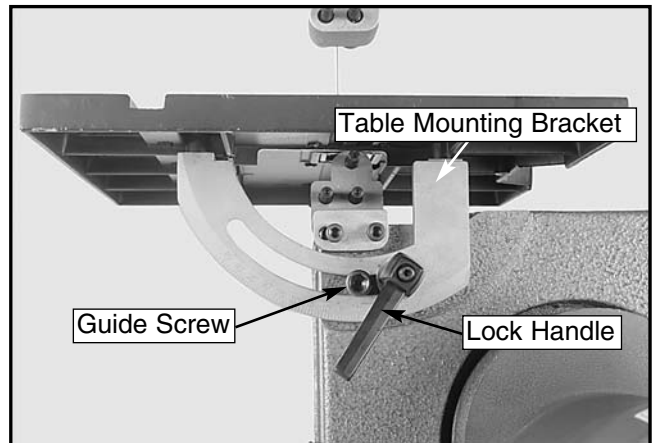


## Table

#### To mount the table:

1. Remove the wingnut (#57) and screw (#56) from the front of the table slot.
2. Place the table onto the saw. Slide the blade through the table slot which will face toward the front of the saw. The table mounting bracket (#49) will be at the back of the saw.

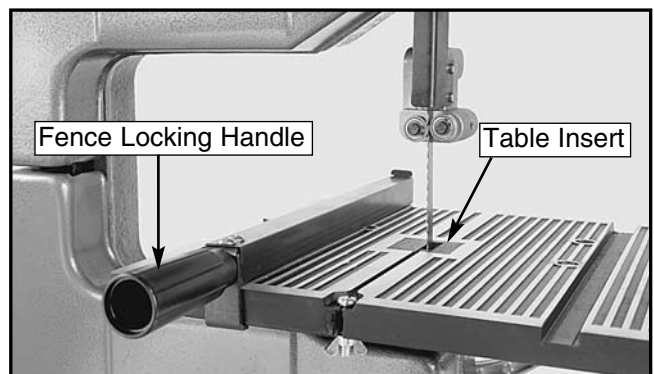
3. Screw the lock handle (#53) and the guide screw (#51) into the threaded holes on the back of the saw. **Figure 2.**
4. Lay the table insert (#68) into the hole in the table and replace the wingnut and screw.



**Figure 2.** Table mounted to the bandsaw.

#### To mount the fence to the table:

1. Loosen the fence locking handle (#60). See **Figure 3.**
2. Slide the fence onto the table. The fence will install on either the right or left side of the blade. The clamping brackets slide around the table edges and clamp directly to the table.
3. Tighten the fence locking handle.



**Figure 3.** Fence installed on the table.



# SECTION 5: ADJUSTMENTS

## Blade Adjustments

Blade tension and tracking are two of the most important factors affecting bandsaw performance. When the blade is properly tensioned and tracked, blade life will be extended, cuts will be straighter, and the bandsaw will run more smoothly. In order to optimize tension and tracking, the two wheels must be co-planar (or in the same plane).

Follow the steps outlined here in the order presented for best results: (A) adjust tension, (B) check co-planarity, (C) adjust co-planarity (D) check tracking, and (E) adjust tracking.

## Tension

1. The power must be off with the saw unplugged. Lower the upper guide assembly all the way by loosening the guide post securing knob (#31) and lowering the assembly.
2. Press, with moderate pressure, on the face of the blade with your thumb. **Figure 4.**
3. The blade should flex no more than 1/2" with moderate pressure.
4. If it flexes too little or too much, turn the tension adjustment knob (#2) to modify the tension until it is correct.

If the tension seems correct, make the other adjustments to the saw and test run it. Re-adjust tension if the blade does not cut correctly.

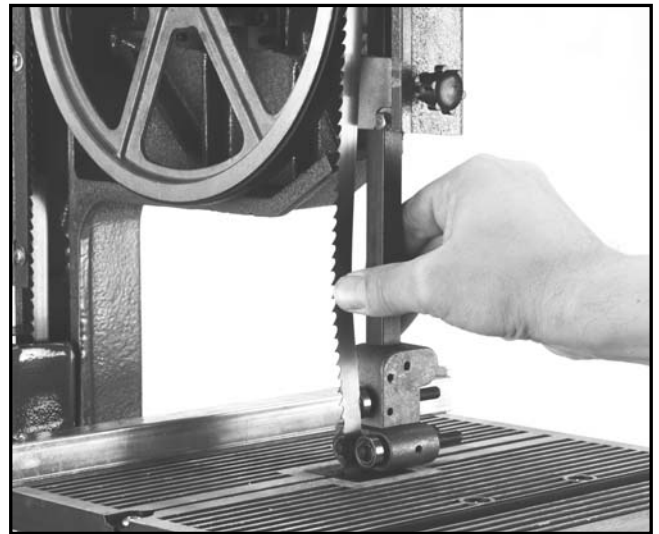


Figure 4. Checking blade deflection.

### ⚠ CAUTION

Blades are extremely sharp. Use added care when making adjustments that require touching the blade with your fingers. Failure to do so could result in serious personal injury.

### ⚠ WARNING

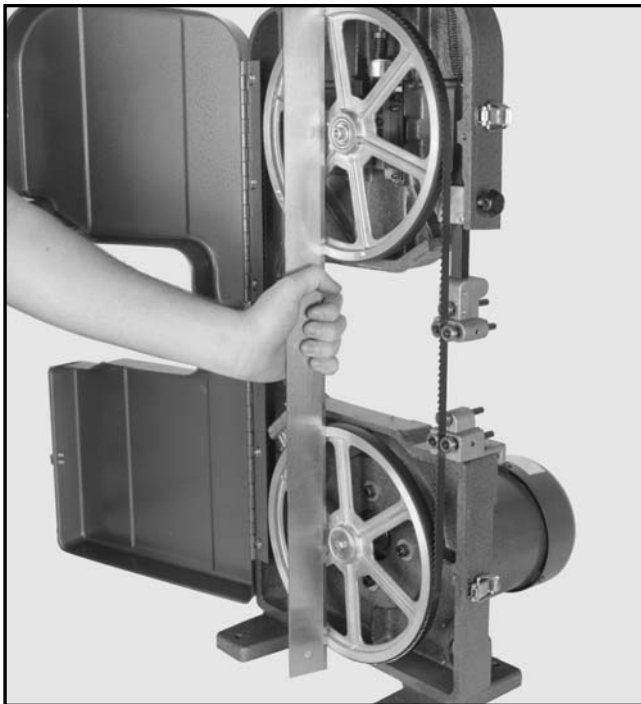
With the exception of those procedures which require test running the machine, **DO NOT** attempt adjustments without ensuring that the machine is turned off and disconnected from its power source. Serious personal injury may occur.



# Co-Planarity

1. Adjust the tracking knob (#23) so that upper wheel is not angled.
2. Set a straightedge against the sides of the wheels. It should fully extend across both of them. **Figure 5.**
3. The straightedge must touch each of the outside rims on both wheels. If the straightedge does not touch both wheels evenly, use a small ruler to measure the distance that the lower or upper wheel is offset from the long straightedge.

If the straightedge already touches the wheels evenly, move on to the tracking procedures.

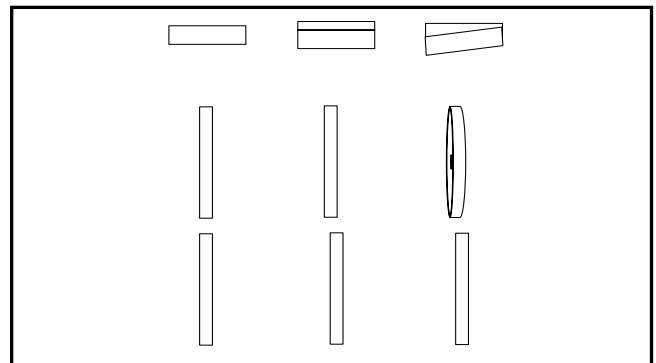


**Figure 5.** Checking blade co-planarity.

The distance you measured with the small ruler is the distance that the wheels must be corrected. The following steps allow you to align the wheels. If one step works, immediately proceed to the tracking adjustment instructions.

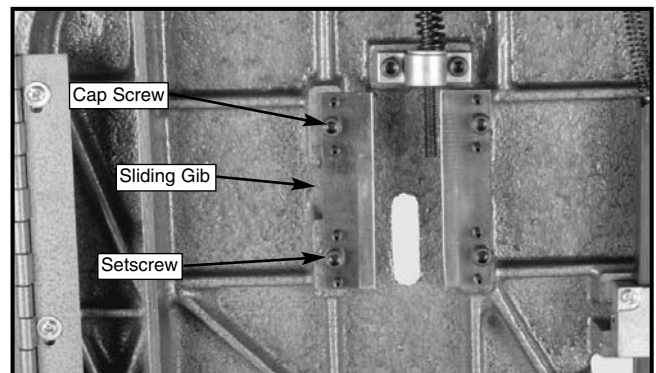
1. Turn the tracking knob to adjust the angle of the upper wheel.

2. Add washers behind the upper or lower wheels as needed.
3. Remove washers behind the **UPPER WHEEL ONLY.**
4. Adjust parallelism (i.e., if the middle of the wheels are co-planar, but the sides are not). **Figure 6.**



**Figure 6.** Wheel alignment possibilities.

5. Loosen the four cap screws (#10) that secure the two sliding gibs (#9) to the body behind the upper wheel. **Figure 7.**
6. Adjust the setscrews (#11) in or out very slightly (over adjustment will cause the tension rod to bind) to make the upper wheel parallel with the lower wheel.
7. Tighten the four cap screws and check wheel co-planarity.
8. Repeat 1- 4 for further adjustment if needed.



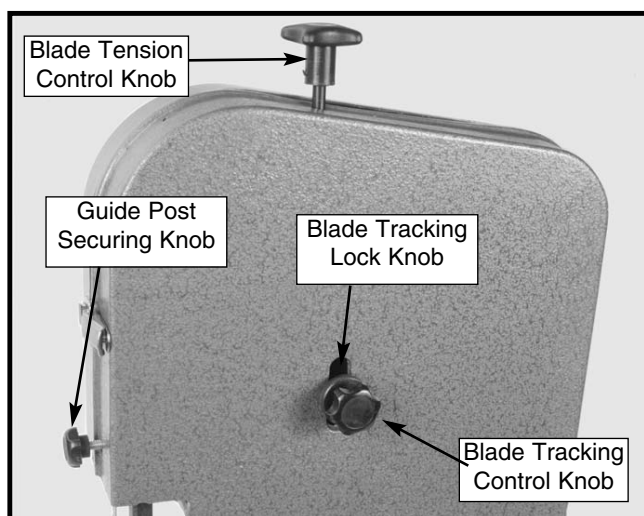
**Figure 7.** Upper wheel adjustments, wheel removed for clarity.



# Tracking

Rotate the upper wheel several turns by hand. Watch the lateral movement of the blade on the tire. The blade will move back and forth slightly until it finds its equilibrium position. If the blade is tracking correctly, it will stay on both tires in one location, not necessarily in the center of the wheels. If the blade will not stay in one place on the tires, check that the wheels are co-planar. If they are co-planar, adjust the tracking, as follows:

1. Disconnect the bandsaw from the power source and adjust the upper and lower guide bearings away from the blade. See Blade Guide adjustment section.
2. Decrease the tension slightly before adjusting tracking. Tracking adjustment will automatically increase the tension.
3. Loosen the lock knob (#22) on the tracking control knob. Turn the tracking control knob clockwise or counter-clockwise while turning the upper wheel by hand until the blade stays in one position. **Figure 8**.
4. Re-tighten the lock knob and check the tracking. Repeat step 3 as needed.



**Figure 8.** Tracking adjustment knobs.



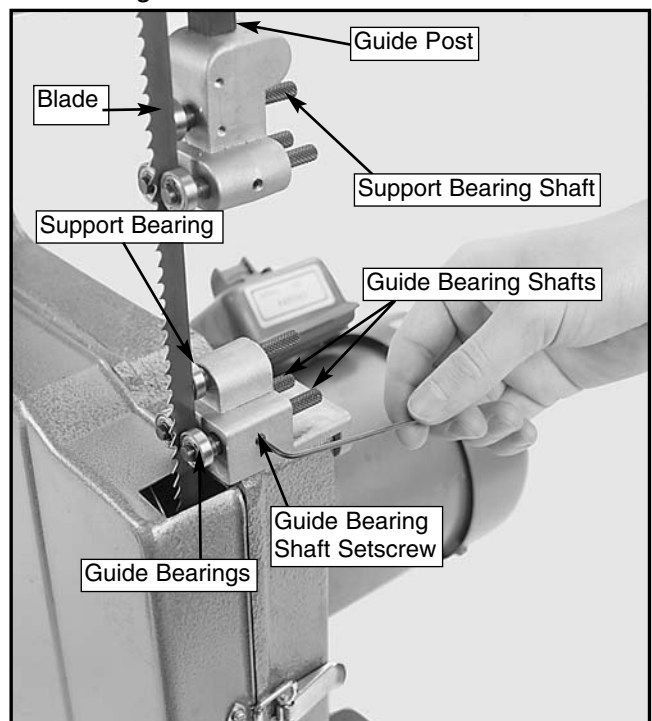
# Blade Guides

Check the upper and lower support bearings and guide bearings each time you start your bandsaw.

Always adjust the assemblies away from the blade before installing a new blade or making blade tracking adjustments. After blade tension and tracking are set correctly, re-adjust the upper and lower support bearings and guide bearing assemblies into position.

The support bearings back-up the blade during the sawing operation. Perform steps 1-3 for both upper and lower support bearings. Both upper and lower assemblies are identical. See **Figure 9** for adjustment locations. To adjust support bearings:

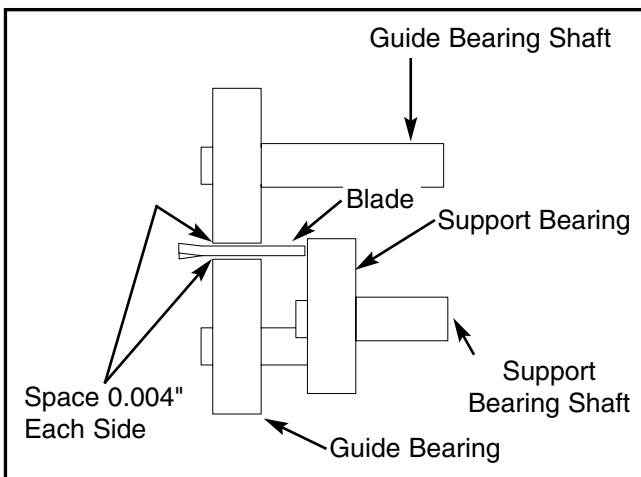
1. Loosen the setscrews (#33) securing the support bearing shafts (#38).
2. Turn the knurled end of the support bearing shaft to position the edge of the bearings behind the blade. Push or pull the shafts so that the upper and lower support bearings are about 1/64" behind the blade.
3. Re-tighten the setscrews.



**Figure 9.** Blade guide assemblies.

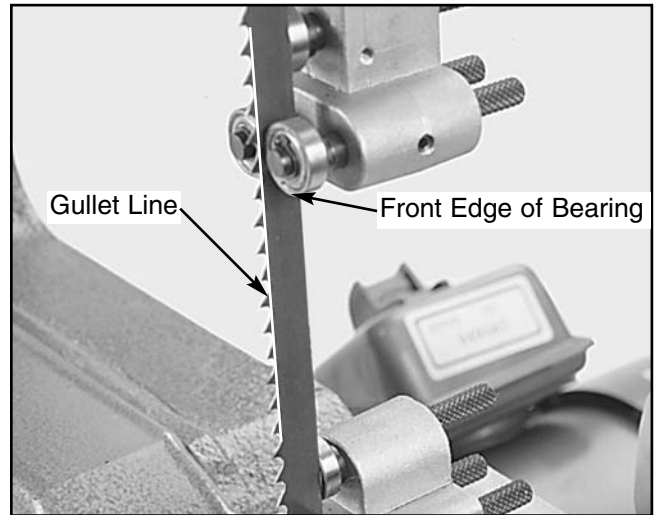
The guide bearings on either side of the blade ensure that it is not pushed too far laterally. Perform steps 1-4 for both upper and lower guide bearings.

1. Loosen the setscrews (#33) securing the guide bearing shafts (#38).
2. Turn the knurled ends of the bearing shafts. Adjust so that the bearings are about 0.004" (about the thickness of a piece of paper) from the sides of the blade. **Figure 10.** The bearings should also be as near to the same height as possible.



**Figure 10.** Close-up of guide bearing assembly.

3. Push or pull the shafts so the front of the bearing case is  $\frac{1}{8}$ " behind the gullet line of the blade. **Figure 11.**



**Figure 11.** Bearing set back from gullet line  $\frac{1}{8}$ ".

4. Re-tighten the setscrews.
5. Spin the bearings by hand. They should spin freely. If they do not spin freely, they will wear out quickly. Re-adjust as necessary.



## **⚠ CAUTION**

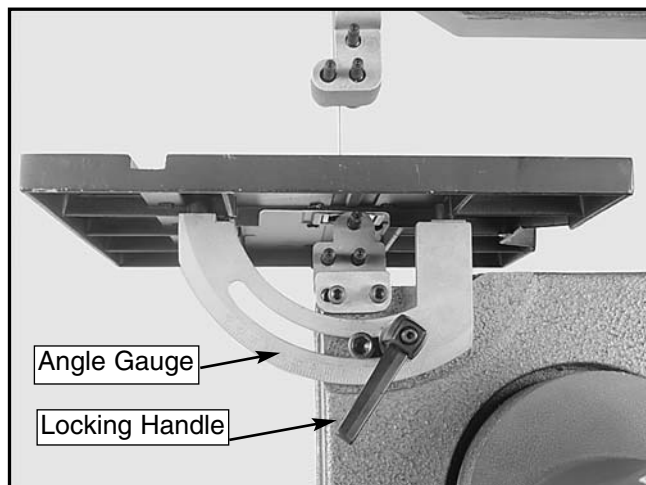
**Use extreme care when making adjustments that require contact between the bandsaw blade and your hand.**

# Table Adjustments

The bandsaw table will tilt left 15° and right 45°.

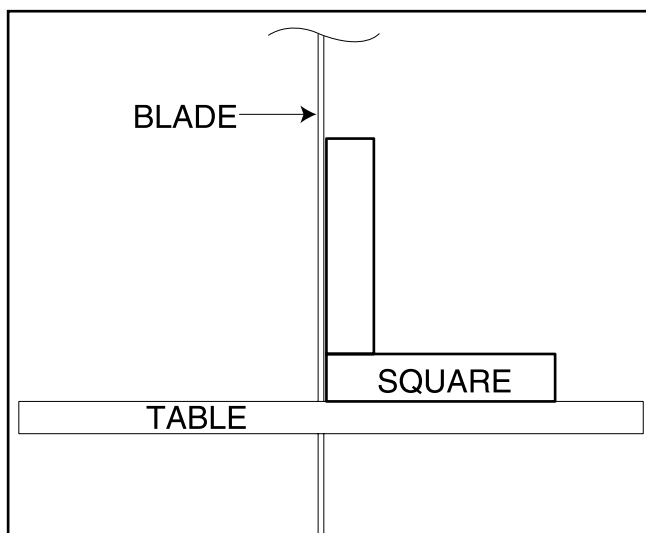
## To tilt the table:

1. Loosen the locking handle below the table. **Figure 12.**



**Figure 12.** Table adjustment locations.

2. Tilt the table to the desired angle. Refer to the angle gauge on the table bracket. Double-check proper angle adjustment by placing a machinist's or combination square against the table and blade and adjust until perpendicular. **Figure 13.**
3. Re-tighten the locking handle.



**Figure 13.** Squaring the blade to the table.

If the blade is not centered in the table insert, the table can be shifted side to side for adjustment.

1. Loosen the table locking handle.
2. Shift the table to center the blade in the table insert.
3. Secure the table by re-tightening the locking handle. Check table position to ensure that undesirable shifting did not occur during re-tightening.

If the table will not shift adequately, you will need to reposition the blade.

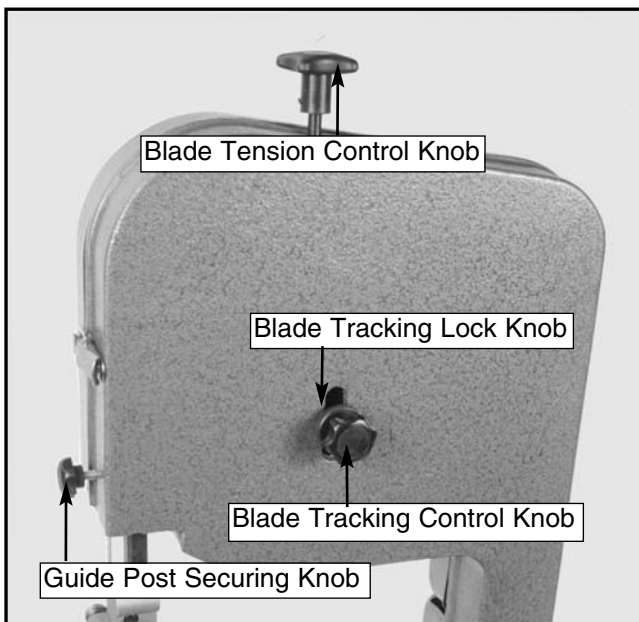




# Changing Blades

To remove the blade:

1. Release tension on the blade by turning the tension control knob counter-clockwise. **Figure 14.**
2. Remove the table insert, wingnut, and screw from the table.
3. Open the upper and lower wheel covers and slide the blade off both wheels through the table slot. **Use heavy gloves, the blades are sharp!**

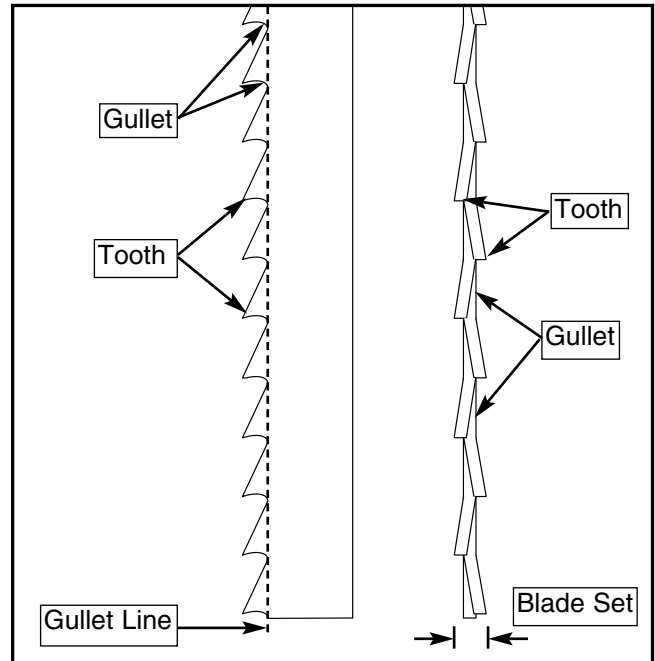


**Figure 14** shows the adjustment knobs.

To replace the blade:

1. Slide the blade through the table slot, ensuring that the teeth are pointing down toward the table.

If the teeth will not point downward in any orientation, the blade is inside out. See **Figure 15** for typical blade geometry. Put on heavy gloves, remove the blade, and twist it until it is right side out. Re-install the blade.



**Figure 15** Side and front views of a standard bandsaw blade.

2. Slip the blade through the upper and lower guides and mount it over the upper and lower wheels.
3. Apply tension, check wheel co-planarity, and check and adjust tracking as discussed previously.
4. Adjust the upper and lower guide bearings.
5. Close the wheel covers and latch them.
6. Replace the table insert, wingnut, and screw.

## **!WARNING**

**Wear gloves and safety goggles when handling blades. Coiled blades could spring open as they are uncoiled. Blades are also very sharp. Failure to wear gloves and safety goggles may result in serious personal injury.**



# Guide Post

---

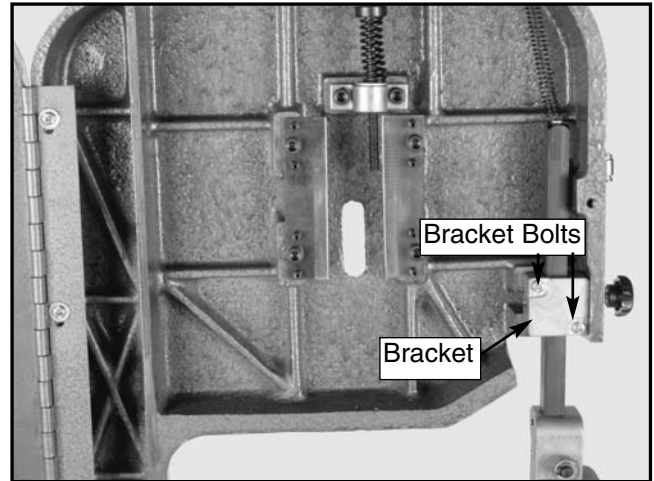
The guide post is adjustable so the guide bearings will stay aligned with the blade when the guide post is raised or lowered.

To check guide post alignment:

1. Adjust blade tension and tracking as discussed earlier in this section.
2. Loosen the guide post securing knob (#31) and slide the guide post all the way up. Lock it in position by tightening the securing knob.
3. Adjust each of the upper guide bearings equally to within approximately  $\frac{1}{16}$ " of the blade.
4. Slide the guide post all the way down and lock it in position. If one of the upper guide bearings is closer or further from the blade than in step 3, adjust the guide post bracket (#27).

To adjust the guide post bracket:

1. Loosen the two bracket bolts securing the guide post bracket (#27) to the body casting. **Figure 16.**
2. Shift the guide post bracket in the desired direction.
3. Re-tighten the two bolts and check your results by sliding the guide post up and down and noting whether the bearings change their distances from the blade. It may be necessary to re-adjust the guide bearings. If the guide bearings do not maintain gap tolerance on each side of the blade as you raise and lower the guide post, repeat steps 1 and 2.



**Figure 16.** Guide post bracket (wheel removed).

If the guide post bracket will not give enough adjustment, you will need to shift the blade over slightly.

To shift the blade:

1. Loosen tension on the blade.
2. Move the upper wheel left or right as needed. There is about  $\frac{5}{16}$ " of movement.
3. Re-adjust the tension. This will secure the wheel.
4. Repeat guide post bracket adjustments.

## **WARNING**

**This concludes the instructions for adjustment and assembly. To ensure your own safety while operating the Model G1052 Bandsaw, please refer to the Safety Rules for Bandsaws in Section 1 of this manual.**



# SECTION 6: OPERATIONS

---

---

## Overview

---

---

The bandsaw is one of the most versatile wood cutting tools in the shop. It is capable of performing many different cutting functions including, but not limited to:

### STRAIGHT CUTS

1. Miters
2. Angles
3. Compound Angles
4. Resawing

### IRREGULAR CUTS

1. Simple and Complex Curves
2. Duplicate Parts
3. Circles
4. Beveled Curves

Although you can perform many types of straight cuts such as angling and mitering on the bandsaw, they will not be as precise as on a table saw. Also, since the blade is flexible, the resulting cut is somewhat rougher than one performed on a table saw. However, just as a table saw is suited to precision straight cuts and miters, the bandsaw excels when resawing and when cutting irregular shapes. A properly adjusted and tuned up bandsaw is also safer to operate than most other saws and is capable of performing many sawing functions with ease and accuracy.

A common fault when using a bandsaw is blaming the saw for not performing up to expectations. Many factors contribute to a bandsaw's performance. Using the wrong kind of blade or a poor quality blade usually results in unsatisfactory performance. Misuse of the saw or using incorrect sawing techniques can be unsafe as well as result in frustration and poor cuts. Remember, the blade does the cutting with the operator's guidance. Replace blades as necessary and make adjustments periodically to keep the saw always running in top condition.

## NOTICE

**Set the top guide assembly just above the top of the work at all times.**

Do not force the material against the blade, use light even pressure. Light contact with the blade will permit easier line following and prevent undue friction, heat and work-hardening along the back edge of the blade.

Avoid twisting the blade by trying to turn sharp corners. Remember, you must saw around corners.



## Test Run

---

---

Once you have completed the instructions for assembly and adjustments, you are ready to give the Model G1052 its first test run.

1. Re-connect the Model G1052 to its power source.
2. Keeping one finger on the OFF switch to be ready for a quick shut off in the case of problems, turn on the bandsaw.
3. If there is no visual or audible evidence of problems, use a piece of scrap wood to test the blade.
4. If the blade does not cut properly, review the steps in the adjustment section. If the blade appears to be working well, turn off the machine and continue reading the manual.



# Blade Information

---

---

A bandsaw blade is a delicate piece of steel that is subjected to tremendous stress. Be sure you use quality blades of the proper width for the various types of cutting operations.

Always use the widest blade possible for the workpiece you are cutting. Use narrow blades only for sawing small, abrupt curves and for fine, delicate work. Bandsaw blades measuring 64" can be purchased welded, set, sharpened, and ready-for-use from most saw shops. In addition to the standard 1/2" blade, others in widths of 3/16", 1/4", and 3/8" are available. See **Figure 15** for typical bandsaw blade characteristics. Please refer to our current catalog for prices and ordering information.

Always select high-quality saw blades and choose the right blade for the job. Poor quality blades and improper use are often the cause of premature blade failure.

Many conditions may cause a bandsaw blade to break. Blade breakage is sometimes unavoidable since it is the natural result of the large stresses that bandsaw blades are subjected to.

Blade breakage is also due to avoidable causes. Avoidable breakage is most often the result of poor care or judgement on the part of the operator when mounting or adjusting the blade or support guides. The most common causes of blade breakage are: (1) faulty alignment and adjustment of the guides; (2) forcing or twisting a wide blade around a curve or short radius; (3) feeding too fast; (4) tooth dullness or absence of sufficient set; (5) excessive tension; (6) upper blade guide assembly set too high above the workpiece; (7) using a blade with a lumpy or improperly finished weld; and, (8) continuously running the bandsaw when not in use.



# Ripping

---

---

Ripping, or resawing, is the process of cutting a board into two or more thinner boards. The maximum board width that can be resawn is limited by the maximum cutting height of the bandsaw. Maximum cutting height for this bandsaw is 4 1/8".

The G1052 bandsaw is capable of ripping, provided the saw is set up properly. Use common sense when ripping. Attempting to rip too wide or too dense a board may put excessive strain on the blade and be dangerous.

The important consideration when ripping is blade selection. Generally, the wider blade, the better. In most applications, a hook or skip tooth style will be sufficient. Also, since most ripped lumber will be planed or sanded smooth, you can choose blades with fewer teeth-per-inch. While blades with fewer teeth-per-inch produce rougher cuts, these types of blades offer larger gullet capacities for clearing sawdust, less heat buildup, and yield more horsepower per tooth.

1. The bandsaw must be adjusted correctly. See Blade Adjustment Section.
2. The table must be square to the blade. See Table Adjustment Section.
3. Use the widest blade available. The blade must also be in good condition.
4. Use a fence to guide work.
5. Draw a reference line on the edge of the board.
6. Support ends of the board if necessary.
7. Feed work slowly and evenly.



---

---

# Crosscutting

In addition to its ability to rip lumber, the bandsaw is capable of crosscutting lumber as thick as  $4\frac{1}{8}$ ". Use the miter gauge when making straight crosscuts to push your workpiece through the blade.

When making angled crosscuts, adjust the miter gauge to the angle you desire and use it to guide your workpiece along the blade.

If your workpiece is cylindrical, you will need a V-groove jig to support the material you wish to cut.



---

---

# Cutting Curves

When cutting curves, simultaneously feed and turn the stock carefully so that the blade follows the layout line without being twisted. If a curve is so abrupt that it is necessary to repeatedly back up and cut a new kerf, use either a narrower blade or a blade with more set. A blade with more set can cut relatively tighter radii, though the cut is usually rougher than cuts produced by a blade with medium set.

Always make short cuts first, then proceed to the longer cuts. Relief cuts will also reduce the chance that the blade will be pinched or twisted. Relief cuts are cuts made through the waste portion of the workpiece and are stopped at the layout line. As you cut along the layout line, waste wood is released from the workpiece, alleviating any pressure on the back of the blade. Relief cuts also make backing the workpiece out easier, if needed.

BLADE WIDTH	MINIMUM RADII
$\frac{1}{8}$ "	$\frac{3}{16}$ "
$\frac{1}{4}$ "	$\frac{5}{8}$ "
$\frac{3}{8}$ "	$1\frac{1}{2}$ "
$\frac{1}{2}$ "	$2\frac{1}{2}$ "



---

---

# Stacked Cuts

One of the benefits of a bandsaw is its ability to cut multiple copies of a particular shape by stacking a number of workpieces together.

Before making stacked cuts, it is essential to ensure that both the table and the blade are properly adjusted to  $90^\circ$ . Otherwise, any error will be compounded with each piece cut from the top to the bottom of the stack.

To complete a stacked cut:

1. Align your pieces from top to bottom to ensure that each piece has adequate scrap to provide a clean, unhampered cut.
2. Using brads in the waste portion of each piece, secure all the pieces together.
3. Lay out the shape you intend to cut on the face of the top piece.
4. Make relief cuts perpendicular to the outline of your intended shape in areas where changes in blade direction could strain the woodgrain or cause the blade kerf to bind.
5. Cut the stack of pieces as though you were cutting a single piece. Follow your layout line with the blade kerf on the waste side of your line.



# SECTION 7: MAINTENANCE

---

---

## General

---

---

Make a habit of inspecting your bandsaw each time you use it. Check for the following conditions and repair or replace when necessary.

1. Loose mounting bolts.
2. Worn switch.
3. Worn or damaged cords and plugs.
4. Any other condition that could hamper the safe operation of this machine.



## Lubrication

---

---

Shielded and pre-lubricated ball bearings require no lubrication for the life of the bearings. All bearings are standard sizes and replacements can be purchased from our parts department or your local bearing supply store.

As for other items on this machine, such as adjustment controls, an occasional “shot” of light oil is just about all that is necessary. Before applying, however, wipe off any sawdust with a clean cloth or towel and spray on the lubricant.



## Table

---

---

The table and other non-painted surfaces on the Model G1052 should be protected against rust and pitting. Wiping the saw clean after every use ensures that moisture from wood dust isn't allowed to trap moisture against bare metal surfaces.

Most experienced woodworkers recommend using automotive paste wax on exposed steel and cast iron surfaces. The wax provides a layer of protection, as well as reducing friction between lumber and the table, making cuts faster and smoother.

Avoid waxes that contain silicone or other synthetic ingredients. These materials can find their way into lumber that's being worked, and can make staining and finishing difficult. If you use paste wax, make sure that it's 100% Carnauba wax.

### **WARNING**

**DO NOT make adjustments or attempt maintenance procedures while the Model G1052 is running. Ensure that the switch is off, power is disconnected and moving parts have stopped before making adjustments. Failure to comply may result in serious personal injury.**



# SECTION 8: CLOSURE

---

---

The following pages contain general machine data, parts diagrams/lists, and Warranty/Return information for your Model G1052 9" Bandsaw.

If you need parts or help in assembling your machine, or if you need operational information, we encourage you to call our Service Department. Our trained service technicians will be glad to help you.

If you have comments dealing specifically with this manual, please write to our Bellingham, Washington location using the address in the Introduction. The specifications, drawings, and photographs illustrated in this manual represent the Model G1052 as supplied when the manual was prepared. However, due to Grizzly's policy of continuous improvement, changes may be made at any time with no obligation on the part of Grizzly. Whenever possible, though, we send manual updates to all owners of a particular tool or machine. Should you receive one, add the new information to this manual and keep it for reference.

We have included some important safety measures that are essential to this machine's operation. While most safety measures are generally universal, Grizzly reminds you that each workshop is different and safety rules should be considered *as they apply to your specific situation*.

We recommend you keep a copy of our current catalog for complete information regarding Grizzly's warranty and return policy. If you need additional technical information relating to this machine, or if you need general assistance or replacement parts, please contact the Service Department listed in *Section 3: Introduction*.

Additional information sources are necessary to realize the full potential of this machine. Trade journals, woodworking magazines, and your local library are good places to start.

## WARNING

**The Model G1052 was specifically designed for wood cutting operations. DO NOT MODIFY AND/OR USE THIS BANDSAW FOR ANY OTHER PURPOSE. Modifications or improper use of this tool will void the warranty. If you are confused about any aspect of this machine, DO NOT use it until you have answered all your questions. Serious injury may occur.**

## WARNING

**Like all power tools, there is danger associated with the Model G1052 9" Bandsaw. Use the tool with respect and caution to lessen the possibility of mechanical damage or operator injury. If normal safety precautions are overlooked or ignored. Serious injury may occur.**





# MACHINE DATA SHEET

Customer Service #: (570) 326-3806 • To Order Call: (800) 523-4777 • Fax #: (800) 438-5901

## GRIZZLY MODEL G1052 9" BANDSAW

Design Type ..... Bench Model

### Overall Dimensions:

Table ..... 11½" x 11½" x ¾"  
 Overall Height ..... 31"  
 Height From Bench to Table ..... 13¼"  
 Table Tilt ..... 15° L, 45° R  
 Overall Depth including Fence ..... 18¼"  
 Overall Width ..... 18¼"  
 Shipping Weight ..... 100 lbs.  
 Box Size ..... 16½" W x 32½" L x 15" H  
 Footprint ..... 8" x 11½"

### Cutting Capacity:

Left of Blade ..... 9⅝"  
 Height ..... 4⅞"  
 Blade Speed ..... 1480 FPM

### Construction:

Table ..... Precision Ground Aluminum  
 Wheels ..... Fully Balanced Cast Aluminum w/ Tire  
 Rip Fence ..... Double Lock, Adjustable, Steel Tube Fence  
 Wheel Covers ..... Preformed Steel  
 Guides ..... All Ball Bearing  
 Main Body ..... Cast Iron

### Motor:

Type ..... TEFC Capacitor Start Induction  
 Horsepower ..... ½ HP  
 RPM ..... 1720 RPM  
 Bearings ..... Shielded & Permanently Lubricated Ball  
 Phase / Cycle ..... Single Phase / 60 HZ  
 Voltage ..... 110V  
 Amps ..... 8  
 Switch ..... Toggle w/ Safety Key

### Blades:

Sizes Available ..... ⅜" - ⅝"  
 Blade Speed ..... 1430 FPM  
 Standard Blade Length ..... 64"

### Features:

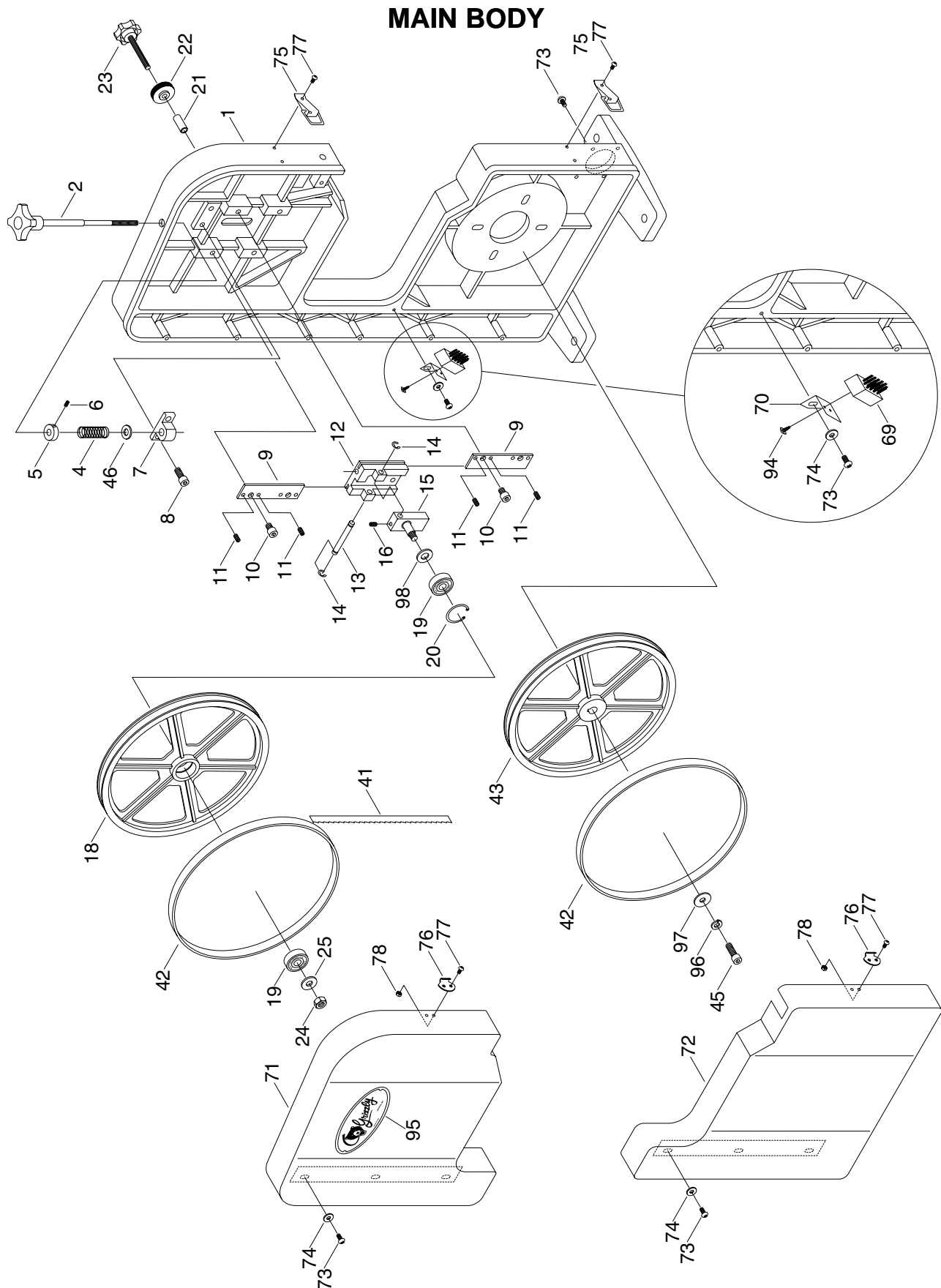
..... Includes: Fence, Miter Gauge, ½" Blade

*Specifications, while deemed accurate, are not guaranteed.*

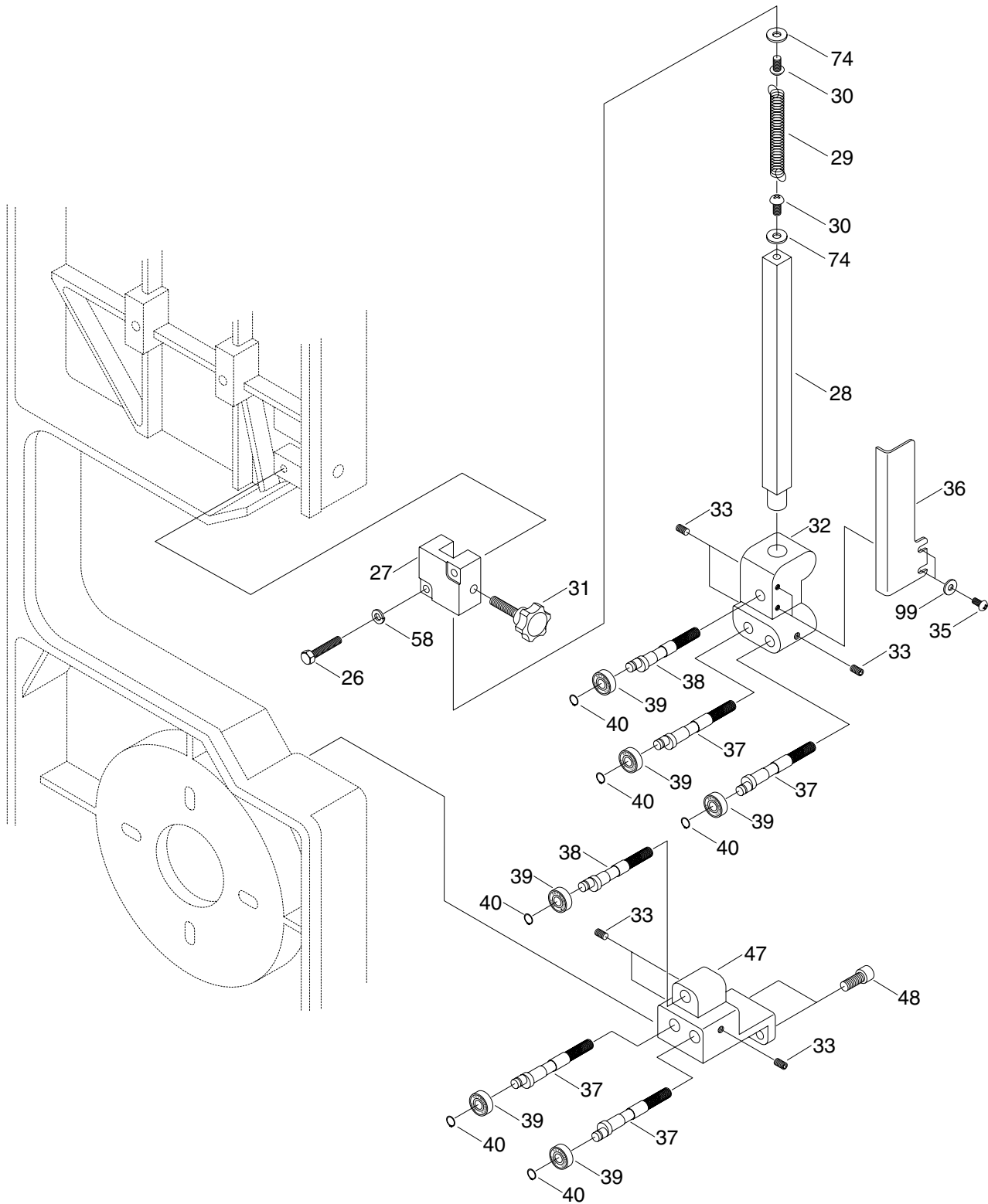
REVISED 4/99



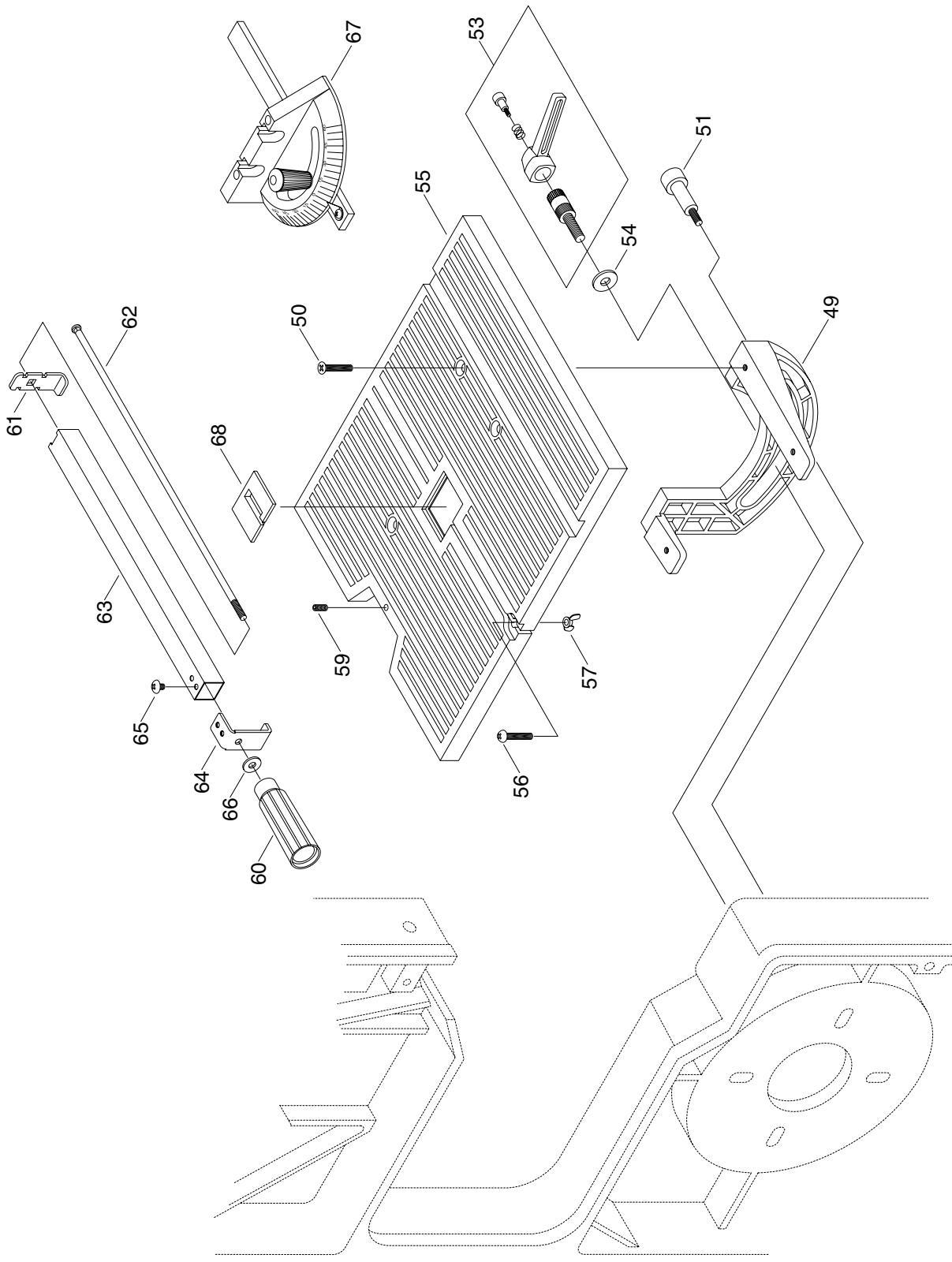
# PARTS DIAGRAMS



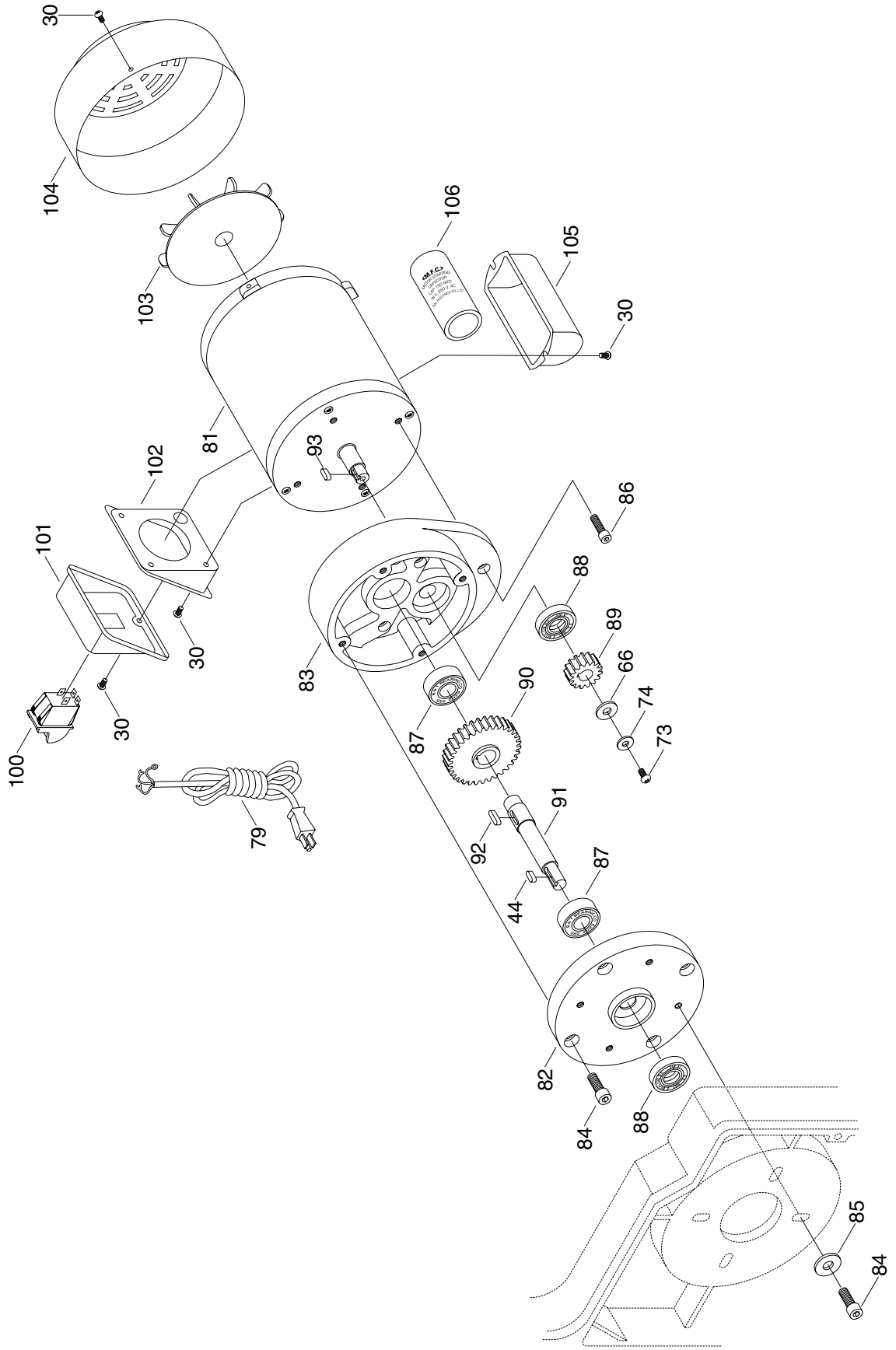
# BEARING GUIDES



# TABLE AND FENCE



# MOTOR AND GEARBOX



# PARTS LISTS

REF#	PART#	DESCRIPTION
001	P1052001	BODY
002	P1052002	TENSION KNOB
004	P1052004	SPRING
005	P1052005	COLLAR
006	PSS29	SETSCREW 4 - 40 x 1/4"
007	P1052007	TENSION BRACKET
008	PSB04	CAP SCREW 1/4" - 20 x 1/2"
009	P1052009	SLIDING GIB
010	PSB17	CAP SCREW 1/4" - 20 x 3/8"
011	PSS26	SETSCREW 10 - 24 x 3/8"
012	P1052012	SLIDING BRACKET
013	P1052013	HINGE PIN
014	PEC09M	E-CLIP 6mm
015	P1052015	SHAFT HINGE
016	PSS24	SETSCREW 10 - 32 x 3/16"
018	P1052018	TOP WHEEL
019	P6200	BEARING 6200-2RS
020	PR35M	SNAP RING 30mm
021	P1052021	SPACER
022	P1052022	KNURLED KNOB
023	P1052023	TRACKING KNOB
024	PN20	HEX NUT 5/16" - 24
025	PW07	FLAT WASHER 5/16"
026	PS03	HEX BOLT 10 - 24 x 1"
027	P1052027	GUIDE POST BRACKET
028	P1052028	GUIDE POST W/29
029	P1052029	SPRING
030	PS18	PHLP HD SCRW 10 - 24 x 1/4"
031	P1052031	KNOB
032	P1052032	UPPER GUIDE BRACKET
033	PSS24	SETSCREW 10 - 32 x 3/16"
035	PS16	PHLP HD SCRW 6 - 32 x 1/4"
036	P1052036	GUARD
037	P1052037	BLADE GUIDE SHAFT W/039

REF#	PART#	DESCRIPTION
038	P1052038	BLADE BACKUP SHAFT W/039
039	P2921001	BEARING
040	PR03	SNAP RING 1/4"
041	CATALOG	BLADE
042	P1052042	TIRE
043	P1052043	LOWER WHEEL
044	PK05M	KEY 4 x 4 x 10mm
045	PSB05	CAP SCREW 1/4" - 20 x 3/4"
046	PW07	FLAT WASHER 5/16"
047	P1052047	LOWER GUIDE BRACKET
048	PSB04	CAP SCREW 1/4" - 20 x 1/2"
049	P1052049	TRUNNION
050	PFH12	FLAT HEAD SCRW 1/4" - 20 x 1"
051	P1052051	SPECIAL BOLT
053	P1052053	LOCK HANDLE ASSEMBLY
054	PW07	FLAT WASHER 5/16"
055	P1052055	TABLE
056	PS19	PHLP HD SCRW 1/4" - 20 x 1"
057	PWN02	WING NUT 1/4" - 20
058	PLW02	LOCK WASHER #10
059	PSS10	SETSCREW 1/4" - 20 x 5/8"
060	P1052060	HANDLE
061	P1052061	REAR LOCK BRACKET
062	P1052062	LOCK ROD
063	P1052063	FENCE TUBE
064	P1052064	FRONT LOCK BRACKET
065	PS01	PHLP HD SCRW 10 - 24 x 1/2"
066	PW06	FLAT WASHER 1/4"
067	P3105071	MITER GAUGE
068	P1052068	TABLE INSERT
069	P1052069	BRUSH W/070
070	P1052070	BRACKET
071	P1052071	TOP WHEEL GUARD
072	P1057072	LOWER WHEEL GUARD

REF#	PART#	DESCRIPTION
073	PS01	PHLP HD SCRW 10 - 24 x 1/2"
074	PW03	FLAT WASHER #10
075	P1073098	LATCH
076	P1073099	STRIKE
077	PS16	PHLP HD SCRW 6 - 32 x 1/4"
078	PN12	HEX NUT 6 - 32
079	P1052079	POWER CORD
080	P1015017-1	STRAIN RELIEF (N/S)
081	P1052081	MOTOR
082	P1052082	GEAR BOX COVER
083	P1052083	GEAR BOX CASE
084	PSB07	CAP SCREW 5/16" - 18 x 3/4"
085	PW07	FLAT WASHER 5/16"
086	PSB05	CAP SCREW 1/4" - 20 x 3/4"
087	P6202	BEARING 6202 - 2RS
088	P1052088	SEAL 15 - 35 x 7
089	P1052089	GEAR 12T

REF#	PART#	DESCRIPTION
090	P1052090	GEAR 36T
091	P1052091	SHAFT
092	PK47M	KEY 4 x 4 x 15mm
093	PK05M	KEY 4 x 4 x 10mm
094	P1052094	SCREW
095	P1052095	LOGO
096	PLW02	LOCK WASHER 1/4"
097	P1052097	FENDER WASHER 1/4"
098	P1052098	SHIM
099	PW16	FLAT WASHER #6
100	PSW06	SWITCH
101	P1052101	OUTER WIRE BOX
102	P1052102	INNER WIRE BOX
103	P1052103	MOTOR FAN
104	P1052104	FAN COVER
105	P1052105	CAPACITOR COVER
106	PC150	CAPACITOR 150MFD

# TROUBLESHOOTING

SYMPTOM	POSSIBLE CAUSE	CORRECTIVE ACTION
Motor will not start.	<ol style="list-style-type: none"> <li>1. Low voltage.</li> <li>2. Open circuit in motor or loose connections.</li> </ol>	<ol style="list-style-type: none"> <li>1. Check power line for proper voltage.</li> <li>2. Inspect all lead connections on motor for loose or open connections.</li> </ol>
Motor will not start; fuses or circuit breakers blow.	<ol style="list-style-type: none"> <li>1. Short circuit in line cord or plug.</li> <li>2. Short circuit in motor or loose connections.</li> <li>3. Incorrect fuses or circuit breakers in power line.</li> </ol>	<ol style="list-style-type: none"> <li>1. Inspect cord or plug for damaged insulation and shorted wires.</li> <li>2. Inspect all connections on motor for loose or shorted terminals or worn insulation.</li> <li>3. Install correct fuses or circuit breakers.</li> </ol>
Motor fails to develop full power (power output of motor decreases rapidly with decrease in voltage at motor terminals).	<ol style="list-style-type: none"> <li>1. Power line overloaded with lights, appliances, and other motors.</li> <li>2. Undersized wires or circuits too long.</li> <li>3. General overloading of power company facilities.</li> </ol>	<ol style="list-style-type: none"> <li>1. Reduce load on power line.</li> <li>2. Increase wire sizes or reduce length of wire.</li> <li>3. Request a power check from the power company.</li> </ol>
Motor overheats.	<ol style="list-style-type: none"> <li>1. Motor overloaded.</li> <li>2. Air circulation through the motor restricted.</li> </ol>	<ol style="list-style-type: none"> <li>1. Reduce load on motor.</li> <li>2. Clean out motor to provide normal air circulation.</li> </ol>
Motor stalls (resulting in blown fuses or tripped circuit).	<ol style="list-style-type: none"> <li>1. Short circuit in motor or loose connections.</li> <li>2. Low voltage.</li> <li>3. Incorrect fuses or circuit breakers in power line.</li> <li>4. Motor overloaded.</li> </ol>	<ol style="list-style-type: none"> <li>1. Inspect connections on motor for loose or shorted terminals or worn insulation.</li> <li>2. Correct the low voltage conditions.</li> <li>3. Install correct fuses or circuit breakers.</li> <li>4. Reduce load on motor.</li> </ol>
Machine slows when operating.	Applying too much pressure to workpiece.	Feed workpiece slower.
Blade does not run evenly on wheels or runs off.	<ol style="list-style-type: none"> <li>1. Tracking is not adjusted properly.</li> <li>2. Wheels are not co-planar.</li> </ol>	<ol style="list-style-type: none"> <li>1. Adjust tracking.</li> <li>2. Adjust wheel co-planarity.</li> </ol>
Blade does not cut evenly	<ol style="list-style-type: none"> <li>1. Blade tension is incorrect.</li> <li>2. Tooth set is uneven.</li> <li>3. Teeth are sharper on one side than the other.</li> </ol>	<ol style="list-style-type: none"> <li>1. Adjust tension.</li> <li>2. Replace blade, or have it professionally sharpened.</li> <li>3. Replace blade, or have it professionally sharpened.</li> </ol>
Ticking sound when the saw is running.	Blade weld contacting support bearing.	Use file or stone to smooth and round the back of the blade.
Blade contacting table insert.	<ol style="list-style-type: none"> <li>1. Excessive side pressure when cutting.</li> <li>2. Table improperly adjusted.</li> <li>3. Opening in insert too narrow.</li> </ol>	<ol style="list-style-type: none"> <li>1. Reduce side pressure.</li> <li>2. Adjust table.</li> <li>3. File the table insert opening larger.</li> </ol>
Excessive vibration.	<ol style="list-style-type: none"> <li>1. Wheels not co-planar.</li> <li>2. Tires incorrectly installed.</li> <li>3. Bent or worn out blade.</li> <li>4. Wheels out of balance.</li> </ol>	<ol style="list-style-type: none"> <li>1. Adjust wheels co-planar.</li> <li>2. Re-install tires.</li> <li>3. Replace blade.</li> <li>4. Replace wheels.</li> </ol>

# WARRANTY AND RETURNS

---

---

Grizzly Industrial, Inc. warrants every product it sells for a period of **1 year** to the original purchaser from the date of purchase. This warranty does not apply to defects due directly or indirectly to misuse, abuse, negligence, accidents, repairs or alterations or lack of maintenance. This is Grizzly's sole written warranty and any and all warranties that may be implied by law, including any merchantability or fitness, for any particular purpose, are hereby limited to the duration of this written warranty. We do not warrant or represent that the merchandise complies with the provisions of any law or acts unless the manufacturer so warrants. In no event shall Grizzly's liability under this warranty exceed the purchase price paid for the product and any legal actions brought against Grizzly shall be tried in the State of Washington, County of Whatcom.

We shall in no event be liable for death, injuries to persons or property or for incidental, contingent, special, or consequential damages arising from the use of our products.

To take advantage of this warranty, contact us by mail or phone and give us all the details. We will then issue you a "Return Number", which must be clearly posted on the outside as well as the inside of the carton. We will not accept any item back without this number. Proof of purchase must accompany the merchandise.

The manufacturers reserve the right to change specifications at any time because they constantly strive to achieve better quality equipment. We make every effort to ensure that our products meet high quality and durability standards and we hope you never need to use this warranty.

Please feel free to write or call us if you have any questions about the machine or the manual.

Thank you again for your business and continued support. We hope to serve you again soon.



# WARRANTY CARD

Name \_\_\_\_\_  
Street \_\_\_\_\_  
City \_\_\_\_\_ State \_\_\_\_\_ Zip \_\_\_\_\_  
Phone Number \_\_\_\_\_ E-Mail \_\_\_\_\_ FAX \_\_\_\_\_  
MODEL # \_\_\_\_\_ Order # \_\_\_\_\_

The following information is given on a voluntary basis. It will be used for marketing purposes to help us develop better products and services. Of course, all information is strictly confidential.

- How did you learn about us?  
 Advertisement  Friend  
 Catalog  Card Deck  
 World Wide Web  
 Other \_\_\_\_\_
- Which of the following magazines do you subscribe to.  
 American Woodworker  Practical Homeowner  
 Cabinetmaker  Shop Notes  
 Family Handyman  Today's Homeowner  
 Fine Homebuilding  WOOD  
 Fine Woodworking  Wooden Boat  
 Home Handyman  Woodshop News  
 Journal of Light Construction  Woodsmith  
 Old House Journal  Woodwork  
 Popular Mechanics  Woodworker  
 Popular Science  Woodworker's Journal  
 Popular Woodworking  Workbench  
 Other \_\_\_\_\_
- Which of the following woodworking/remodeling shows do you watch?  
 Backyard America  The New Yankee Workshop  
 Home Time  This Old House  
 The American Woodworker  Woodwright's Shop  
 Other \_\_\_\_\_
- What is your annual household income?  
 \$20,000-\$29,999  \$60,000-\$69,999  
 \$30,000-\$39,999  \$70,000-\$79,999  
 \$40,000-\$49,999  \$80,000-\$89,999  
 \$50,000-\$59,999  \$90,000 +
- What is your age group?  
 20-29  50-59  
 30-39  60-69  
 40-49  70 +
- How long have you been a woodworker?  
 0 - 2 Years  8 - 20 Years  
 2 - 8 Years  20+ Years
- How would you rank your woodworking skills?  
 Simple  Advanced  
 Intermediate  Master Craftsman
- What stationary woodworking tools do you own? Check all that apply.  
 Air Compressor  Panel Saw  
 Band Saw  Planer  
 Drill Press  Power Feeder  
 Drum Sander  Radial Arm Saw  
 Dust Collector  Shaper  
 Horizontal Boring Machine  Spindle Sander  
 Jointer  Table Saw  
 Lathe  Vacuum Veneer Press  
 Mortiser  Wide Belt Sander  
 Other \_\_\_\_\_
- How many of your woodworking machines are Grizzly? \_\_\_\_\_
- Which benchtop tools do you own? Check all that apply.  
 1" x 42" Belt Sander  6" - 8" Grinder  
 5" - 8" Drill Press  Mini Lathe  
 8" Table Saw  10" - 12" Thickness Planer  
 8" - 10" Bandsaw  Scroll Saw  
 Disc/Belt Sander  Spindle/Belt Sander  
 Mini Jointer  
 Other \_\_\_\_\_
- How many of the machines checked above are Grizzly? \_\_\_\_\_
- Which portable/hand held power tools do you own? Check all that apply.  
 Belt Sander  Orbital Sander  
 Biscuit Joiner  Palm Sander  
 Circular Saw  Portable Planer  
 Detail Sander  Saber Saw  
 Drill/Driver  Reciprocating Saw  
 Miter Saw  Router  
 Other \_\_\_\_\_
- What machines/supplies would you like Grizzly Industrial to carry?  
 12" Table Saw  Radial Arm Saw  
 12" Jointer  Panel Saw  
 Combination Planer/Jointer  Brass Hardware  
 Paint & Finishing Supplies  Lumber  
 Contractor's Supplies  
 Other \_\_\_\_\_
- What new accessories would you like Grizzly Industrial to carry?  
 Builders Hardware  Hand Tools  
 Fasteners  Wood Components  
 Other \_\_\_\_\_
- What other companies do you purchase your tools and supplies from?  
\_\_\_\_\_  
\_\_\_\_\_
- Do you think your purchase represents good value?  
 Yes  No
- Would you recommend Grizzly Imports to a friend?  
 Yes  No
- Would you allow us to use your name as a reference for Grizzly customers in your area? **Note: We never use names more than three times.**  
 Yes  No
- Comments: \_\_\_\_\_  
\_\_\_\_\_  
\_\_\_\_\_

CUT ALONG DOTTED LINE

G1052 9" Bandsaw

FOLD ALONG DOTTED LINE

---

---

---

---

Place  
Stamp  
Here



**GRIZZLY INDUSTRIAL, INC.  
P.O. BOX 2069  
BELLINGHAM, WA 98227-2069**

---

FOLD ALONG DOTTED LINE

Send a Grizzly Catalog to a friend:

Name _____
Street _____
City _____ State _____ Zip _____

TAPE ALONG EDGES--PLEASE DO NOT STAPLE

## Free Manuals Download Website

<http://myh66.com>

<http://usermanuals.us>

<http://www.somanuals.com>

<http://www.4manuals.cc>

<http://www.manual-lib.com>

<http://www.404manual.com>

<http://www.luxmanual.com>

<http://aubethermostatmanual.com>

Golf course search by state

<http://golfingnear.com>

Email search by domain

<http://emailbydomain.com>

Auto manuals search

<http://auto.somanuals.com>

TV manuals search

<http://tv.somanuals.com>