

# *Grizzly* **Industrial, Inc.**®

## LEFT-TILTING 10" TABLE SAW

MODEL G1023SL/G1023SLX

## INSTRUCTION MANUAL



COPYRIGHT © FEBRUARY, 2003 BY GRIZZLY INDUSTRIAL, INC.

**WARNING: NO PORTION OF THIS MANUAL MAY BE REPRODUCED IN ANY SHAPE  
OR FORM WITHOUT THE WRITTEN APPROVAL OF GRIZZLY INDUSTRIAL, INC.**

PRINTED IN TAIWAN

#### **ONLINE MANUAL DISCLAIMER**

THE INFORMATION IN THIS MANUAL REPRESENTS THE CONFIGURATION OF THE MACHINE AS IT IS CURRENTLY BEING SHIPPED. THE MACHINE CONFIGURATION CAN CHANGE AS PRODUCT IMPROVEMENTS ARE INCORPORATED. IF YOU OWN AN EARLIER VERSION OF THE MACHINE, THIS MANUAL MAY NOT EXACTLY DEPICT YOUR MACHINE. CONTACT CUSTOMER SERVICE IF YOU HAVE ANY QUESTIONS ABOUT DIFFERENCES. PREVIOUS VERSIONS ARE NOT AVAILABLE ONLINE.

# WARNING

Some dust created by power sanding, sawing, grinding, drilling, and other construction activities contains chemicals known to the State of California to cause cancer, birth defects or other reproductive harm. Some examples of these chemicals are:

- Lead from lead-based paints.
- Crystalline silica from bricks, cement, and other masonry products.
- Arsenic and chromium from chemically treated lumber.

Your risk from these exposures varies, depending on how often you do this type of work. To reduce your exposure to these chemicals: work in a well ventilated area, and work with approved safety equipment, such as those dust masks that are specially designed to filter out microscopic particles.

# TABLE OF CONTENTS

		PAGE
1.	<b>SAFETY</b> .....	2
	INSTRUCTIONS FOR POWER TOOLS .....	2-3
	ADDITIONAL SAFETY INSTRUCTIONS FOR TABLE SAWS .....	4
	SAFETY ACCESSORIES .....	5-6
	COMMON DEFINITIONS, TERMS AND PHRASES .....	7
2.	<b>CIRCUIT REQUIREMENTS</b> .....	8
	220V SINGLE-PHASE .....	8
	GROUNDING .....	8
	EXTENSION CORDS .....	9
	WIRING .....	9
3.	<b>INFORMATION</b> .....	10
	COMMENTARY .....	10
	UNPACKING .....	11
	PIECE INVENTORY .....	12
	CLEAN UP .....	13
	SITE CONSIDERATIONS .....	13
4.	<b>ASSEMBLY</b> .....	14
	EXTENSION WINGS .....	14-15
	SWITCH .....	15
	FENCE .....	15
	MOTOR BRACE .....	16
	GUARD BRACKET .....	16
	HANDWHEEL .....	17
	TABLE INSERT .....	17
	DUST PORT .....	18
	SAW BLADE .....	18
	BLADE GUARD/SPLITTER .....	18-20
5.	<b>ADJUSTMENTS</b> .....	21
	BLADE HEIGHT .....	21
	BLADE TILT .....	21
	MITER SLOT TO BLADE .....	22-23
	BLADE ALIGNMENT .....	24-25
	RIP FENCE .....	25
	MITER GAUGE .....	25
6.	<b>OPERATIONS</b> .....	26
	PRE-RUN CHECK .....	26
	TEST RUN .....	27
	BLADE SELECTION .....	27-29
	CROSSCUTTING .....	29
	RIPPING .....	30
	DADO OPERATIONS .....	31-32
	RABBET OPERATIONS .....	32-33
7.	<b>MAINTENANCE</b> .....	34
	TABLE AND WINGS .....	34
	V-BELTS .....	34-35
	LUBRICATION .....	35
	MAINTENANCE NOTES .....	36
8.	<b>CLOSURE</b> .....	37
	MACHINE DATA .....	38
	PARTS BREAKDOWNS AND LIST .....	39-43
	TROUBLESHOOTING .....	44
	PUSH STICK PATTERN .....	45
	WARRANTY AND RETURNS .....	46-47

# SECTION 1: SAFETY

## WARNING

### For Your Own Safety Read Instruction Manual Before Operating This Equipment

The purpose of safety symbols is to attract your attention to possible hazardous conditions. This manual uses a series of symbols and signal words which are intended to convey the level of importance of the safety messages. The progression of symbols is described below. Remember that safety messages by themselves do not eliminate danger and are not a substitute for proper accident prevention measures.



Indicates an imminently hazardous situation which, if not avoided, **WILL** result in death or serious injury.



Indicates a potentially hazardous situation which, if not avoided, **COULD** result in death or serious injury.



Indicates a potentially hazardous situation which, if not avoided, **MAY** result in minor or moderate injury. It may also be used to alert against unsafe practices.

## NOTICE

This symbol is used to alert the user to useful information about proper operation of the equipment.

## WARNING

### Safety Instructions For Power Tools

- KEEP GUARDS IN PLACE** and in working order.
- REMOVE ADJUSTING KEYS AND WRENCHES.** Form habit of checking to see that keys and adjusting wrenches are removed from tool before turning on.
- KEEP WORK AREA CLEAN.** Cluttered areas and benches invite accidents.
- DO NOT USE IN DANGEROUS ENVIRONMENT.** Do not use power tools in damp or wet locations, or where any flammable or noxious fumes may exist. Keep work area well lighted.
- KEEP CHILDREN AND VISITORS AWAY.** All children and visitors should be kept a safe distance from work area.
- MAKE WORKSHOP CHILD PROOF** with padlocks, master switches, or by removing starter keys.
- DO NOT FORCE TOOL.** It will do the job better and safer at the rate for which it was designed.
- USE RIGHT TOOL.** Do not force tool or attachment to do a job for which it was not designed.

# WARNING

## Safety Instructions For Power Tools

- 9. USE PROPER EXTENSION CORD.** Make sure your extension cord is in good condition. Conductor size should be in accordance with the chart below. The amperage rating should be listed on the motor or tool nameplate. An undersized cord will cause a drop in line voltage resulting in loss of power and overheating. Your extension cord must also contain a ground wire and plug pin. Always repair or replace extension cords if they become damaged.

Minimum Gauge for Extension Cords

AMP RATING	LENGTH		
	25ft	50ft	100ft
0-6	16	16	16
7-10	16	16	14
11-12	16	16	14
13-16	14	12	12
17-20	12	12	10
21-30	10	10	No

- 10. WEAR PROPER APPAREL.** Do not wear loose clothing, gloves, neckties, rings, bracelets, or other jewelry which may get caught in moving parts. Non-slip footwear is recommended. Wear protective hair covering to contain long hair.
- 11. ALWAYS USE SAFETY GLASSES.** Also use face or dust mask if cutting operation is dusty. Everyday eyeglasses only have impact resistant lenses, they are NOT safety glasses.
- 12. SECURE WORK.** Use clamps or a vise to hold work when practical. It's safer than using your hand and frees both hands to operate tool.
- 13. DO NOT OVER-REACH.** Keep proper footing and balance at all times.
- 14. MAINTAIN TOOLS WITH CARE.** Keep tools sharp and clean for best and safest performance. Follow instructions for lubricating and changing accessories.
- 15. USE RECOMMENDED ACCESSORIES.** Consult the owner's manual for recommended accessories. The use of improper accessories may cause risk of injury.

- 16. REDUCE THE RISK OF UNINTENTIONAL STARTING.** On machines with magnetic contact starting switches there is a risk of starting if the machine is bumped or jarred. Always disconnect from power source before adjusting or servicing. Make sure switch is in OFF position before reconnecting.

- 17. MANY WOODWORKING TOOLS CAN "KICKBACK" THE WORKPIECE** toward the operator if not handled properly. Know what conditions can create "kickback" and know how to avoid them.

- 18. CHECK DAMAGED PARTS.** Before further use of the tool, a guard or other part that is damaged should be carefully checked to determine that it will operate properly and perform its intended function. Check for alignment of moving parts, binding of moving parts, breakage of parts, mounting, and any other conditions that may affect its operation. A guard or other part that is damaged should be properly repaired or replaced.

- 19. NEVER LEAVE TOOL RUNNING UNATTENDED. TURN POWER OFF.** Do not leave tool until it comes to a complete stop.

- 20. NEVER OPERATE A MACHINE WHEN TIRED, OR UNDER THE INFLUENCE OF DRUGS OR ALCOHOL.** Full mental alertness is required at all times when running a machine.

- 21. NEVER ALLOW UNTRAINED PERSONNEL TO OPERATE THE MACHINE WHILE UNSUPERVISED.** Make sure any instructions you give in regards to machine operation are approved, correct, safe, and clearly understood.

- 22. IF AT ANY TIME YOU ARE EXPERIENCING DIFFICULTIES** performing the intended operation, stop using the machine! Then contact our service department or ask a qualified expert how the operation should be performed.

## **WARNING**

# Additional Safety Instructions For Table Saws

1. **ALWAYS** use blade guard, splitter and anti-kickback fingers on all "through-sawing" operations. Through-sawing operations are those when the blade cuts completely through the workpiece as in ripping or crosscutting.
2. **AVOID KICKBACKS.** A condition in which a piece of wood is thrown back towards an operator at a high rate of speed. If you do not have a complete understanding of how kickback occurs, or how to prevent it, **DO NOT** operate this table saw.
3. **ALWAYS** hold the work firmly against the miter gauge or fence while holding down against the table.
4. **ALWAYS** use a push-stick for ripping narrow stock.
5. **NEVER** perform any operation "free-hand" which means using only your hands to support or guide the workpiece. Always use either the fence or the miter gauge to position and guide the work.
6. **NEVER** stand or have any part of your body in line with the path of the saw blade.
7. **NEVER** reach behind or over the blade with either hand while the saw is running. If kickback occurs, that hand will be pulled into the spinning blade.
8. **NEVER** use the miter gauge and rip fence at the same time. Move the rip fence out of the way when crosscutting.
9. **NEVER** attempt to free a stalled saw blade without first turning the saw OFF.
10. **PROVIDE** adequate support to the rear and sides of the saw table for wide or long workpieces.
11. **AVOID** awkward operations and hand positions where a sudden slip could cause your hand to move into the blade.
12. **IF AT ANY TIME YOU ARE EXPERIENCING DIFFICULTIES** performing the intended operation, stop using the machine! Then contact our service department or ask a qualified expert how the operation should be performed.
13. **ALWAYS LOWER OR REMOVE SAW BLADE WHEN NOT IN USE.**
14. **NEVER USE A DAMAGED SAW BLADE OR ONE THAT HAS BEEN DROPPED.**
15. **DADO AND RABBET OPERATIONS PRESENT SPECIFIC DANGER** because those operations must be performed with the blade guard removed. Be especially aware of your personal safety whenever operating saw with the guard removed, and always immediately replace the blade guard after these operations are complete.

## **WARNING**

Like all power tools, there is danger associated with table saws. Accidents are frequently caused by lack of familiarity or failure to pay attention. Use this tool with respect and caution to lessen the possibility of operator injury. If normal safety precautions are overlooked or ignored, serious personal injury may occur.

## **CAUTION**

No list of safety guidelines can be complete. Operating this machinery may require additional safety precautions specific to your shop environment. Failure to use reasonable caution while operating this machine could result in serious personal injury.

## **⚠️ WARNING**

Statistics prove that most common accidents among table saw users can be linked to kickback. Kickback is typically defined as the high-speed expulsion of stock from the table saw toward its operator. In addition to the danger of the operator or others in the area being struck by the flying stock, it is often the case that the operator's hands are pulled into the blade during the kickback. The following can help minimize kickbacks.

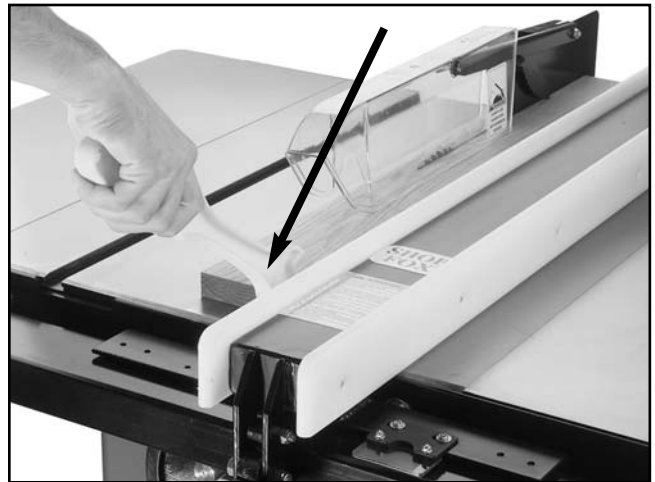
1. Use your blade guard and splitter.
2. Never, for any reason, place your hand behind the blade. Should kickback occur, your hand will be pulled into the blade.
3. Inspect for alignment along the splitter and your blade.
4. Never use the fence as a guide for crosscutting.
5. Never attempt freehand cuts.
6. Use a pushstick or featherboard to maintain control of your workpiece.
7. Feed cuts through to completion.
8. Stand to the side when ripping.
9. Ensure that your fence and your miter slot are parallel to the blade.

If you do not have a clear understanding of kickback and how it occurs, do not operate this table saw.

## **Safety Accessories**

### **Push Sticks**

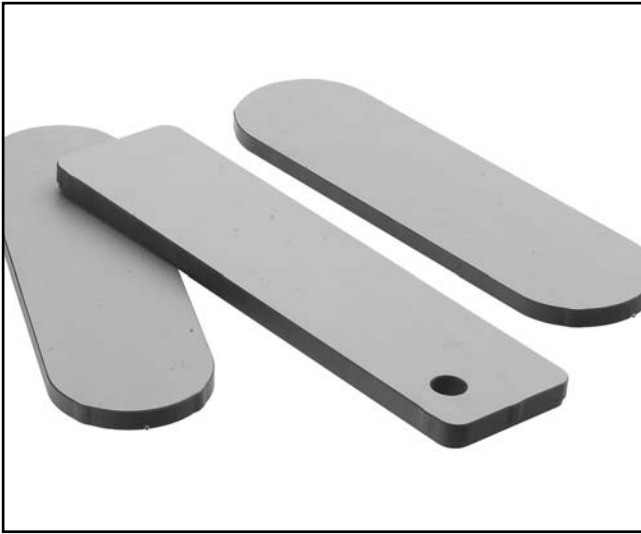
The use of push sticks, particularly when cutting small or narrow workpieces, provides a double benefit for saw operators. The push stick provides added leverage, enabling the operator to keep the workpiece firmly supported against the fence and the table. At the same time, the push stick keeps the operator's hand safely away from the rotation of the saw blade. See the template at the end of the manual for construction details, or purchase one from the Grizzly catalog. See **Figure 1**.



**Figure 1.** Push Stick.

### **Zero Clearance Table Inserts**

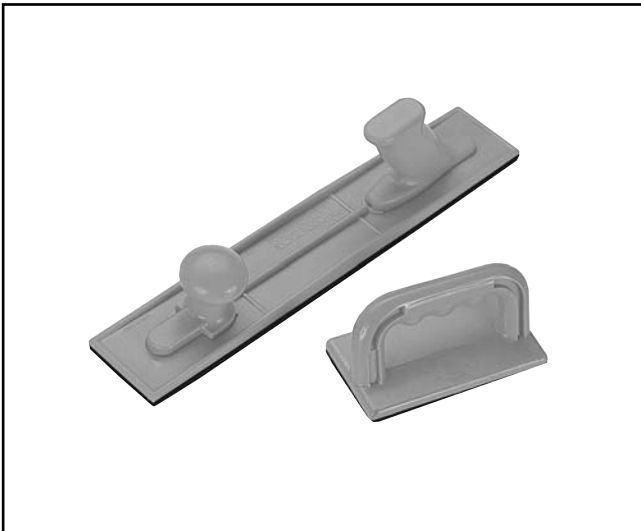
Ideal for use when ripping thin strips or making bevel cuts, zero clearance table inserts prevent tear-out and jammed blades by supporting material that is close to the blade. Use the standard table insert as a template when creating additional inserts from wood or plywood. Blade slot inserts can be custom cut for specific blade angles by raising the running blade into an uncut insert at the angle you desire. Be sure to make an additional slot for the blade splitter. There are also a wide selection of table inserts in the Grizzly catalog. Clamp the insert firmly in place with a piece of wood when creating slots. Never hold the table insert with your hand while cutting new slots. See **Figure 2** for examples of zero clearance table inserts.



**Figure 2.** Zero Clearance Table Inserts

### Push Paddles

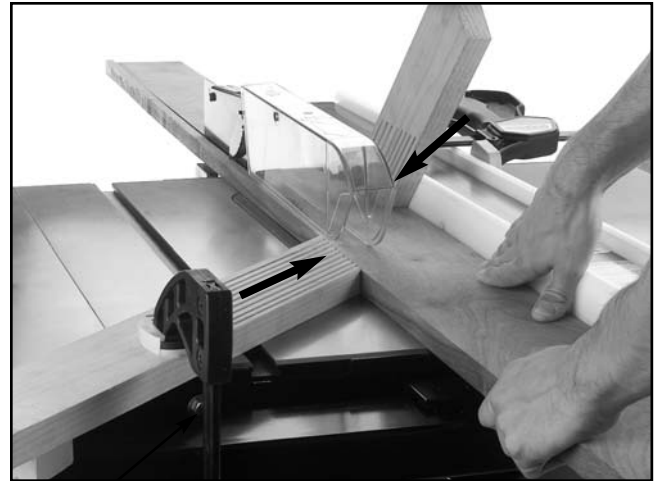
Push paddles (shown in **Figure 3**) provide added leverage and support when ripping or crosscutting wide workpieces. There are a number of push paddles in the Grizzly catalog.



**Figure 3.** Push Paddles

### Featherboards

Easily made from scrap stock, featherboards provide an added degree of protection against kickback. To make a featherboard, cut a 30-40° angle at one end of the board, and make a number of end cuts at approximately 1/4" apart and 2" to 3" deep. There are a number of featherboards in the Grizzly catalog. See **Figure 4**.



**Figure 4.** Featherboards





# Common Definitions, Terms and Phrases

The following is a list of common definitions, terms and phrases used throughout this manual as they relate to this table saw and woodworking in general. Becoming familiar with these terms is important before assembling, adjusting or operating this machine. Your safety is **VERY** important to us at Grizzly!

**Arbor:** Metal shaft extending from the drive mechanism, to which cutting blade is attached.

**Bevel Edge Cut:** Tilting the saw arbor and blade to an angle between 0° and 45° to perform an angled cutting operation.

**Blade Guard:** Metal or plastic mechanism that mounts over the saw blade to prevent accidental contact with the cutting edge.

**Crosscut:** Table saw operation in which the miter gauge is used to cut across the grain of a piece of wood.

**Dado Blade:** Blade or set of blades that attach to the arbor and are used for cutting grooves and rabbets.

**Dado Cut:** Table saw operation that uses a dado blade to cut a flat bottomed groove into the face of wood stock.

**Featherboard:** Safety device used to keep a board against the rip fence or table. Allows operator to keep hands away from the saw blade.

**Kerf:** The resulting cut or gap made by a saw blade.

**Kickback:** An event in which the wood is thrown back toward an operator at a high rate of speed.

**Miter Gauge:** A component that controls the wood stock movement while performing a crosscut. Allows for variation of angle cuts such as miter cuts used on a picture frame.

**Moulding Head:** A cutterhead attached to the arbor. Accepts interchangeable moulding knives for profile cutting. We DO NOT recommend the use of moulding heads because they require advanced skills for their operation.

**Parallel:** Being an equal distance apart at every point. i.e. the rip fence face is parallel to the side face of the saw blade.

**Non-Through Cut:** A sawing operation that requires the removal of the blade guard and splitter. Dado and rabbet cuts are considered Non-Through Cuts because the blade does not protrude above the top face of the wood stock. Always remember to reinstall the blade guard and splitter after performing a non-through cut.

**Perpendicular:** Intersecting and forming right angles; at right angles to the vertical and horizontal planes. i.e. the blade is perpendicular to the table surface.

**Push Paddle:** Safety aid used to push a piece of wood stock through a cutting operation.

**Push Stick:** Safety aid used to push a piece of wood stock through a cutting operation. Usually used when rip cutting.

**Rabbet:** Cutting operation that creates an L-shaped channel along the edge of wood stock.

**Splitter:** Metal plate attached to the back of the blade guard that maintains the kerf opening in the wood when performing a cutting operation.

**Standard Kerf:** 1/8" gap made with a standard blade.

**Straightedge:** A tool used to check the flatness, parallelism, or consistency of a surface(s).

**Through Cut:** A sawing operation in which the wood stock thickness is completely sawn through. Proper blade height usually allows 1/4" of the top of the blade to extend above the wood stock.

**Thin Kerf:** 3/32" gap made with a thin kerf blade.

**Rip Cut:** A cut made along the grain of the wood.

**Sacrificial Fence:** A piece of wood attached to the face of the rip fence that is designed to extend the fence face away from the metal portion of the fence. Used primarily when making rabbet cuts with a dado blade.

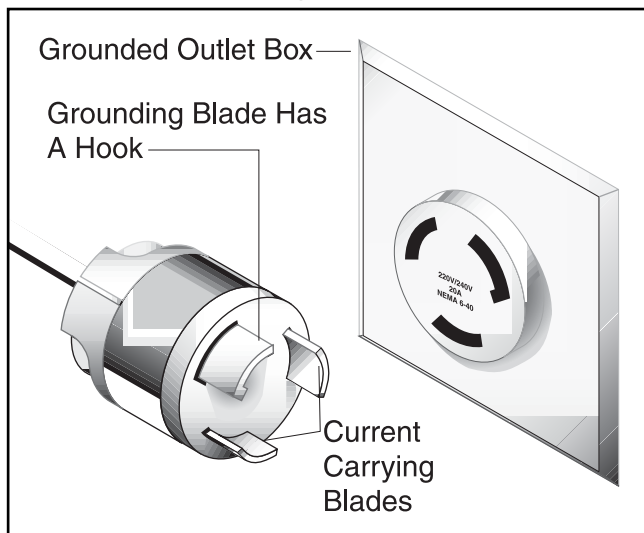
# SECTION 2: CIRCUIT REQUIREMENTS

## 220V Single-Phase

The Model G1023SL/G1023SLX Left-Tilting 10" Table Saw has a 3 HP, 3450 RPM motor which requires a 220V single-phase circuit. The cord set included does not have a plug, as the style of plug you require will depend upon the type of service you currently have or plan to install. The motor will safely draw about 18 amps at 220V under load. If you operate the Model G1023SL/G1023SLX on any circuit that is already close to its capacity, it might blow a fuse or trip a circuit breaker. However, if an unusual load does not exist, and power failure still occurs, have the circuit inspected by a qualified electrician.

In preparing to connect the Model G1023SL/G1023SLX to your existing or new circuit, connect a plug that matches your 220V receptacle as long as it is rated to 20 amps or more. If you will be installing a new receptacle and plug, we recommend using a NEMA-style 6L-20 plug and outlet shown in **Figure 5**.

The Model G1023SL/G1023SLX should be fused at 20 amps. Fusing at amperage ratings higher than 20 amps will not adequately protect the circuit. Also be sure that the wiring in your circuit is rated to handle 20 amps.

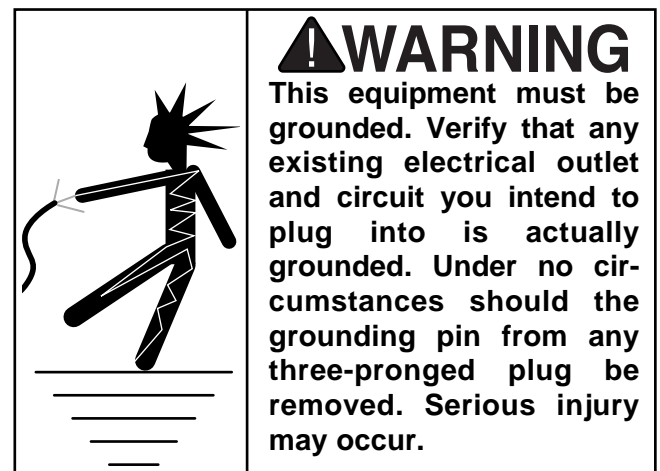


**Figure 5.** 220V Single-Phase

## Grounding

In the event of a malfunction or breakdown, grounding provides electric current a path of least resistance to reduce the risk of electric shock. This tool is equipped with an electric cord having an equipment-grounding conductor which must be properly connected to a grounding plug. The plug must be plugged into a matching outlet that is properly installed and grounded in accordance with all local codes and ordinances.

Improper connections of the electrical-grounding conductor can result in risk of electric shock. The conductor with green or green and yellow striped insulation is the electrical-grounding conductor. If repair or replacement of the electric cord or plug is necessary, do not connect the equipment grounding conductor to a live terminal.



# Extension Cords

---

---

We do not recommend the use of extension cords on 220V equipment. Instead, arrange the placement of your equipment and the installed wiring to eliminate the need for extension cords. Should it be necessary to use an extension, make sure the cord is rated Standard Service (grade S) or better. Refer to the chart in **Section 1: Safety** to determine the minimum gauge for the extension cord. The extension cord must also contain a ground wire and plug pin. Always repair or replace extension cords when they become worn or damaged.



# Wiring

---

---

Always utilize a qualified electrician when doing any electrical work on this equipment.

## **CAUTION**

**We have covered some basic electrical requirements for the safe operation of your machine. These requirements are not necessarily comprehensive. You must be sure that your particular electrical configuration complies with local and state codes. Ensure compliance by checking with your local municipality or a licensed electrician.**



# SECTION 3: INTRODUCTION

## Commentary

We are proud to offer the Grizzly Model G1023SL/G1023SLX Left-Tilting 10" Table Saw. The Model G1023SL/G1023SLX is part of a growing Grizzly family of fine woodworking machinery. When used according to the guidelines set forth in this manual, you can expect years of trouble-free, enjoyable operation and proof of Grizzly's commitment to customer satisfaction.

The Model G1023SL and the Model G1023SLX are the same machines with different fence rail combinations. Specifically, the Model G1023SL features the Shop Fox Classic fence with standard rails, and the Model G1023SLX features the Shop Fox Classic fence with extension rails and an extension table.

The Model G1023SL/G1023SLX is an industrial grade table saw intended for professional use. Features include cast iron trunnions, 4" dust port, triple V-belt drive, magnetic switch, and a 3 HP, 220V, single-phase motor.

All running parts operate on sealed ball bearings and require no maintenance for the life of the bearings. We also offer many accessories for the table saw including blades, outfeed rollers, a sliding table and a mobile base. Please refer to our current catalog for prices and ordering information.

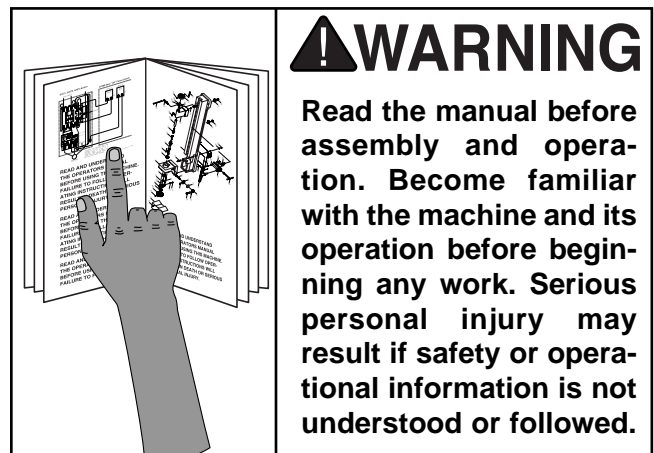
We are also pleased to provide this manual with the Model G1023SL/G1023SLX. It was written to guide you through assembly, review safety considerations, and cover general operating procedures. It represents our effort to produce the best documentation possible. If you have any comments regarding this manual, please write to us at the address below:

Grizzly Industrial, Inc.  
c/o Technical Documentation  
P.O. Box 2069  
Bellingham, WA 98227-2069

Most importantly, we stand behind our machines. If you have any service questions or parts requests, please call or write us at the location listed below.

Grizzly Industrial, Inc.  
1203 Lycoming Mall Circle  
Muncy, PA 17756  
Phone: (570) 546-9663  
Fax: (800) 438-5901  
E-Mail: [techsupport@grizzly.com](mailto:techsupport@grizzly.com)  
Web Site: <http://www.grizzly.com>

The specifications, drawings, and photographs illustrated in this manual represent the Model G1023SL/G1023SLX as supplied when the manual was prepared. However, owing to Grizzly's policy of continuous improvement, changes may be made at any time with no obligation on the part of Grizzly. Whenever possible, though, we send manual updates to all owners of a particular tool or machine. Should you receive one, we urge you to insert the new information with the old and keep it for reference.



# Unpacking

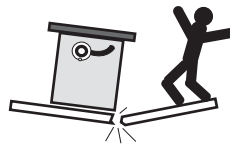
---

The Model G1023SL/G1023SLX base unit is shipped from the manufacturer in a carefully packed carton. If you discover the machine is damaged after you have signed for delivery, immediately call our Customer Service for advice.

The fence (and extension table kit, if applicable) will arrive in a separate box.

When you are completely satisfied with the condition of your shipment, you should inventory its parts.

	<p><b>! WARNING</b></p> <p>The G1023SL/G1023SLX is a heavy machine, 430 lbs. shipping weight. <b>DO NOT</b> over-exert yourself while unpacking or moving your machine – you will need assistance and power equipment. Serious personal injury may occur if safe moving methods are not followed.</p>
--	---

	<p><b>! WARNING</b></p> <p>Make sure your floor structure is capable of supporting the combined weight of the machine parts and the people.</p>
--	---

<p><b>NOTICE</b></p> <p>Save all containers and packing materials until you are satisfied that your Model G1023SL/G1023SLX has arrived in good condition. Freight company adjusters will want to inspect those materials in the event that a freight claim must be made.</p>
--



# Piece Inventory

After all the parts have been removed from their containers, you should have:

- Table Saw Unit (**Figure 6**)
- Miter Gauge
- Extension Wings (2)\*
- Fence Assembly
- Splitter/Guard Assembly
- Dust Port
- Table Insert
- Dado Insert
- Cabinet Cover
- Arbor Wrench
- Support Shaft
- Handwheel and Handle
- Switch Brace
- Hardware Bag

\* The Model G1023SLX comes with only (1) extension wing.



**Figure 6.** G1023SL/G1023SLX base unit.



**Figure 8.** G1023SL component layout.

The hardware bag should contain the following:

- (1) 3mm Allen® Wrench
- (1) 4mm Allen® Wrench
- (1) Flat Head Screw  $\frac{5}{16}$ "-18 x  $1\frac{1}{2}$ "
- (1) Combo Wrench  $\frac{5}{8}$ "
- (2) Hinge Pins
- (2) Hex Bolt  $\frac{5}{16}$ "-18 x  $1\frac{1}{2}$ "
- (2) Hex Bolt  $\frac{5}{16}$ "-18 x 1"
- (3) Hex Nut  $\frac{5}{16}$ "-18
- (7) Flat Washers  $\frac{5}{16}$ "
- (2) Lock Washer  $\frac{5}{16}$ "
- (2) Setscrew  $\frac{5}{16}$ "-18 x  $\frac{3}{8}$ "

In the event that any nonproprietary parts are missing (e.g. a nut or a washer), we would be glad to replace them; or for the sake of expediency, replacements can be obtained at your local hardware store.


Note: A full component and hardware breakdown of the Shop Fox® Classic fence can be found in the manual that accompanies the fence. Those items are not included in this manual.

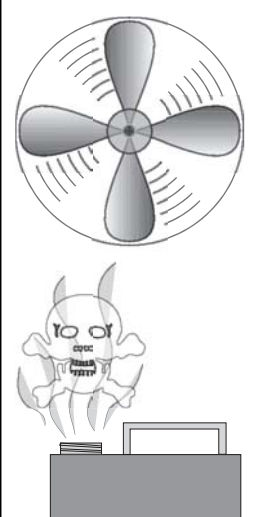


# Clean up

The table and other unpainted parts of the Model G1023SL/G1023SLX are coated with a waxy grease that protects them from corrosion during shipment. Clean this grease off with a solvent cleaner or citrus-based degreaser such as Grizzly's G7895 Degreaser. Do not use chlorine-based solvents – if you happen to splash some onto a painted surface, you will ruin the finish.

	<p><b>⚠ WARNING</b> Do not use gasoline or other petroleum-based solvents to clean with. They have low flash points which make them extremely flammable. A risk of explosion and burning exists if these products are used. Serious personal injury may occur.</p>
--	--

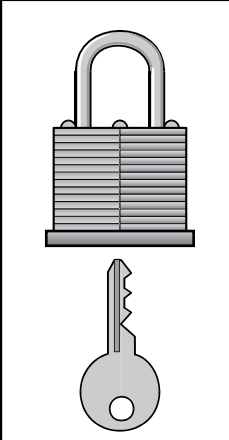
	<p><b>⚠ WARNING</b> Do not smoke while using solvents. A risk of explosion or fire exists and may result in serious personal injury.</p>
---	--

	<p><b>⚠ CAUTION</b> Many of the solvents commonly used to clean machinery can be toxic when inhaled or ingested. Always work in well-ventilated areas far from potential ignition sources when dealing with solvents. Use care when disposing of waste rags and towels to be sure they do not create fire or environmental hazards.</p>
---	---



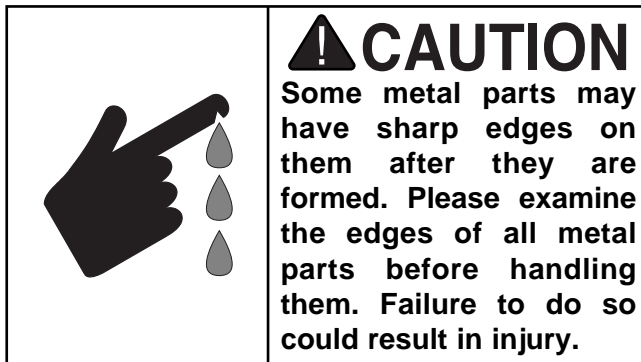
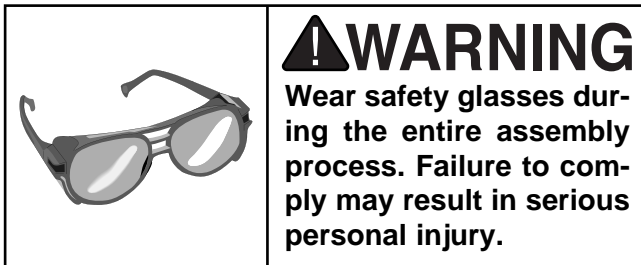
# Site Considerations

- 1. Floor Load:** Your Model G1023SL/G1023SLX represents a large weight load in a small footprint. Most commercial floors are suitable for the saw. Some residential floors may require additional bracing to support both machine and operator.
- 2. Working Clearances:** Consider existing and anticipated needs, size of material to be processed through each machine, and space for auxiliary stands, work tables or other machinery when establishing a location for your table saw.
- 3. Lighting and Outlets:** Lighting should be bright enough to eliminate shadows and prevent eye strain. Electrical circuits should be dedicated or large enough to handle amperage requirements. Outlets should be located near each machine so power or extension cords are clear of high-traffic areas. Observe local electrical codes for proper installation of new lighting, outlets, or circuits.

	<p><b>⚠ CAUTION</b> Make your shop "child safe." Ensure that your workplace is inaccessible to youngsters by closing and locking all entrances when you are away. Never allow visitors in your shop when assembling, adjusting or operating equipment.</p>
--	--



# SECTION 4: ASSEMBLY



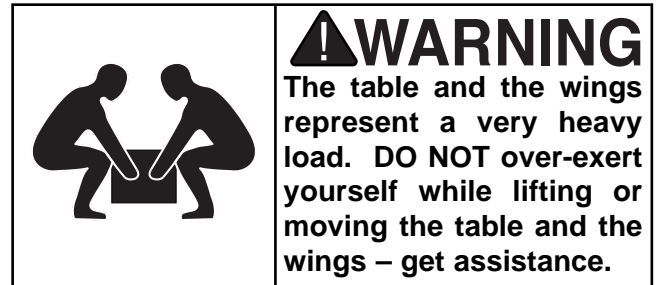
Most of your Model G1023SL/G1023SLX has been assembled at the factory, but some parts must be assembled or installed after delivery. We have organized the assembly process into steps. Please follow along in the order presented here.

**TOOLS REQUIRED:** You will need a high quality square, a long straightedge, 10mm, 12mm, 14mm open end wrenches and a 3mm Allen® wrench.



## Extension Wings

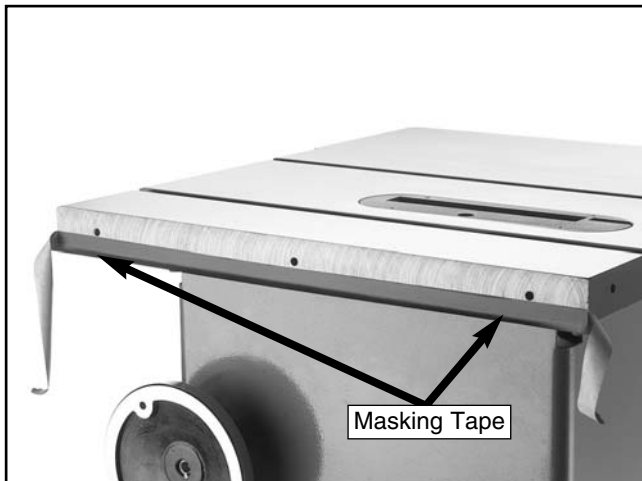
Inspect the extension wings for burrs or foreign material that may inhibit assembly. The mating edges of the wings and the table must be clean, smooth, and flat. Use a wire brush or file if necessary to clean up the edges. For the Model G1023SLX, only follow the left wing instructions.



1. Attach the left wing to the table using the three hex head bolts and the flat washers provided. Adjust the wing reasonably flush with the table. Do not tighten the bolts.
2. Attach the right wing to the table using the three hex head bolts and the flat washers provided. Adjust the wing reasonably flush with the table. Do not tighten the bolts.
3. Align the top of the wing flush with the table top directly above the front bolt, and tighten the front bolt. The front edge of the extension wing should also be flush with the front edge of the table.
4. Raise or lower the rear of the extension wing until the middle of the wing is flush with the table top. Tighten the middle bolt.
5. Raise or lower the rear of the wing until the wing and table are flush. Tighten the bolt. Any adjustment at this point should be minimal.
6. Check flushness over the front bolt and re-adjust if necessary.
7. Repeat **Steps 3-4** for the other extension wing.



8. Now, check the alignment of the table and both wings with a straightedge. The straight-edge should run flat across both wings and the table top. If the straightedge contacts both wings and the table evenly, you are finished with this section. If the straightedge does not contact them evenly, continue to **Step 9**.
9. If the extension wings tilt up or down at the outside edges, remove the wings and shim them with masking tape similar to **Figure 9**.
  - a. If the wings tilt down, stick layers of masking tape under each bolt near the bottom edge of the wing and retighten.
  - b. If the wing tilts up, stick layers of masking tape above each bolt near the top edge of the wing and retighten. Allow the tape to extend above table surface and trim with a sharp knife after final assembly.
10. Replace the wings and check again.



**Figure 9.** Using tape to shim for wing alignment.



## Switch

The switch comes prewired to the motor and can be easily mounted to the table through the holes in the extension wing.

### To mount the switch:

1. Line the switch bracket holes up with the holes in the extension wing on the backside of the edge.
2. Use the 5/16"-18 Phillips® flat head screw and nut to attach the switch to the extension wing as shown in **Figure 10**.
3. Mount the switch brace between the lower switch screw and the table screw.



**Figure 10.** Installing switch.



## Fence

Your Model G1023SL/G1023SLX comes with a Shop Fox® Classic fence. For fence assembly instructions, refer to the manual provided with the fence.



# Motor Brace

The motor brace shown in **Figure 11** has been installed for shipping purposes. Please remove this brace before continuing with assembly. The bolts that secure the brace should be screwed back in at the locations from which they came.



**Figure 11.** Motor Brace.



# Guard Bracket

To install the guard support shaft:

1. Place the threaded end of the shaft through the hole in the back of the saw (**Figure 12**).
2. Thread the shaft into the tilt assembly.



**Figure 12.** Attaching guard support shaft.

3. Slide the lower half of the bracket onto the splitter shaft and temporarily tighten the setscrews.
4. Place the upper bracket half on the lower half and secure both halves with the bolts nuts and four washers as shown in **Figure 13**. Do not fully tighten the nuts at this moment.



**Figure 13.** Splitter bracket installed.



# Handwheel

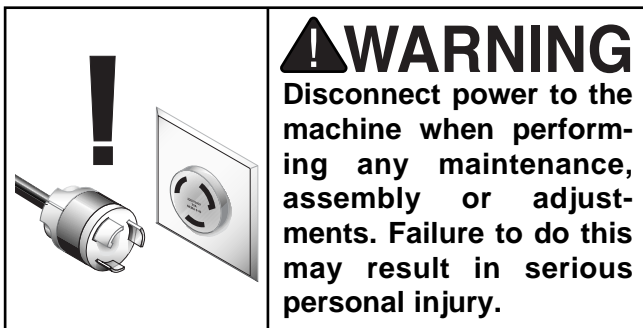
One handwheel has been removed for shipping. To install, place the handwheel over the threads and screw the lock knob into the center. Next insert the handle into the handwheel and tighten it as shown in **Figure 14**. Install the other handle onto the other handwheel.



Figure 14. Installing handle on handwheel.



# Table Insert



**WARNING**  
Disconnect power to the machine when performing any maintenance, assembly or adjustments. Failure to do this may result in serious personal injury.

The table insert provides access to the blade and the arbor when removed. When in place, the insert provides support for the materials being cut.

1. Disconnect the power cord from the outlet!

2. Ensure that all four setscrews are firmly in contact with the table casting.
3. Using a 6mm hex wrench, raise or lower each of the four setscrews shown in **Figure 15** until the insert is flush with the table top. Use a straightedge to make sure the table insert is flush with the top of the table.
4. Now make sure the blade will not come into contact with the table insert. Position the blade at 90°, then raise and lower the blade through its full range of motion. Also, rotate the blade, making sure that the blade never contacts any part of the table insert. Do the same with the blade in the 45° position. Wear leather gloves while rotating the blade to prevent being cut.

## NOTICE

The table insert must be flush with the top of the table or the workpiece will hit the edge of the table insert at the beginning of the cut.

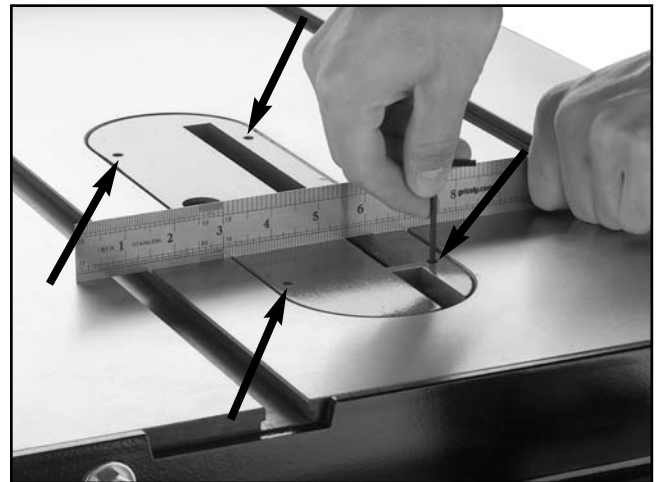


Figure 15. Setscrews on each corner of insert.



# Dust Port

Mount the the dust port onto the cabinet stand with the 4 Phillips® screws as shown in **Figure 16**.



**Figure 16.** Dust port installed on cabinet.



# Saw Blade

## **!WARNING**

The saw blade is extremely sharp. Use extra care when handling the blade or working near it. Serious injury is possible.

Please review this section even if your saw blade came pre-installed. **To install the blade:**

1. Remove the table insert to gain access to the arbor.
2. Remove the nut and the outer arbor flange from the arbor.
3. Place the blade on the arbor, making sure that it seats firmly against the inner arbor flange. Ensure that the top blade teeth are facing the front of the saw.

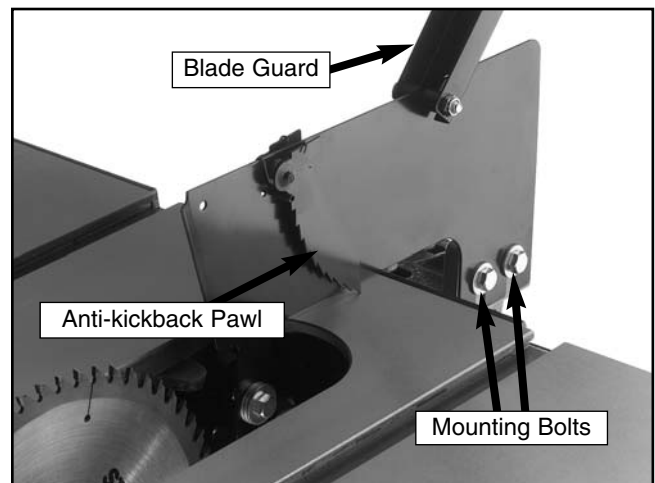
4. Replace the outer arbor flange and rethread the arbor nut onto the arbor.
5. Hand tighten the nut and snug with the wrench included with the saw. **DO NOT** overtighten.

**IMPORTANT:** Make sure the blade is installed with the teeth facing the front of the saw.



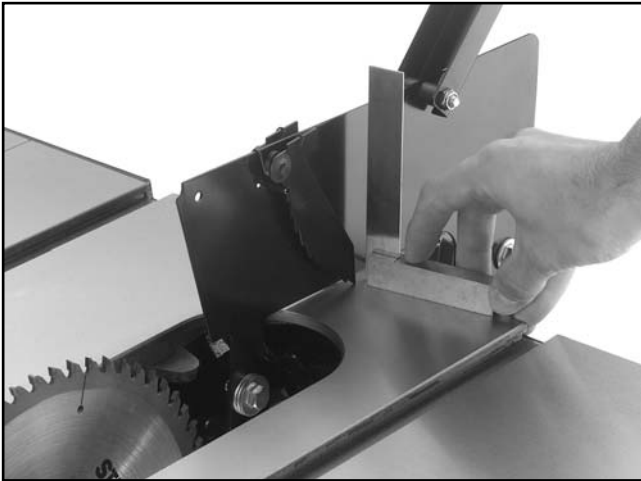
# Blade Guard/Splitter

1. Slip the blade guard/splitter over the mounting bolts as shown in **Figure 17**. The washers should be between the bolt head and the slots. Tighten the bolts to secure the blade guard/splitter.



**Figure 17.** Blade guard and splitter in place.

2. Set a machinist's square against the face of the blade splitter. Slightly rotate the rear bracket to adjust the face of the blade splitter perpendicular to the table top as shown in **Figure 18**.

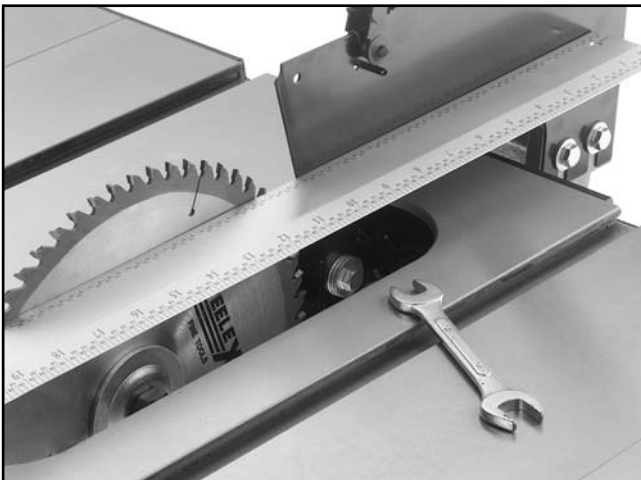


**Figure 18.** Blade splitter square to table.

## **!WARNING**

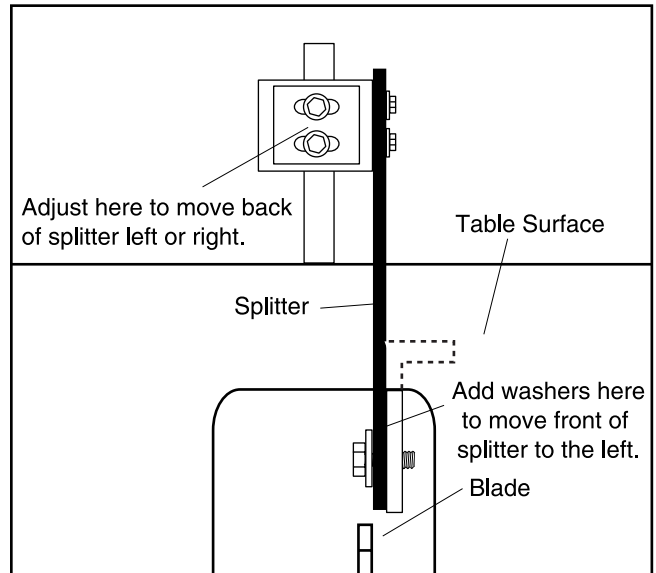
**The saw blade is extremely sharp. Use extra care when handling the blade or working near it. Serious injury is possible.**

3. Next, set a straightedge against the face of the saw blade and the blade splitter as shown in **Figure 19**. If the blade splitter is properly aligned, please skip ahead to the "Table Insert" instructions; otherwise, continue with the next step.

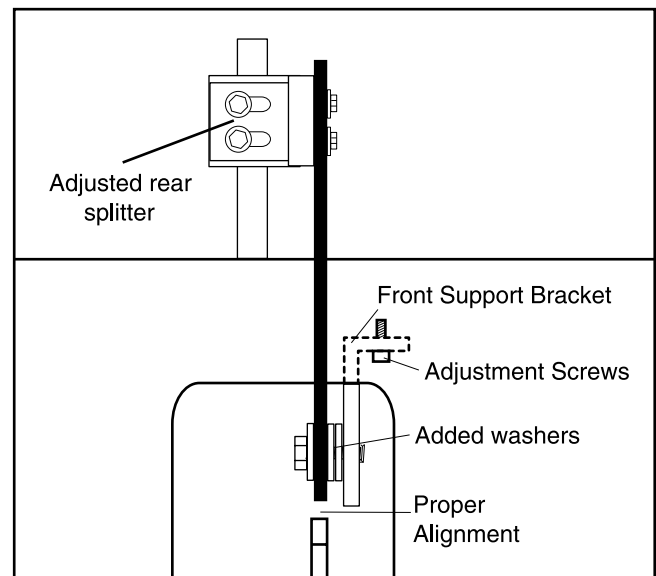


**Figure 19.** Guard in line with blade.

4. If the blade splitter is to the right of the blade as shown in **Figure 20**, simply add washers between the splitter and the front mounting bracket, and adjust the rear splitter support as shown in **Figure 21**.



**Figure 20.** Improper splitter/blade alignment.

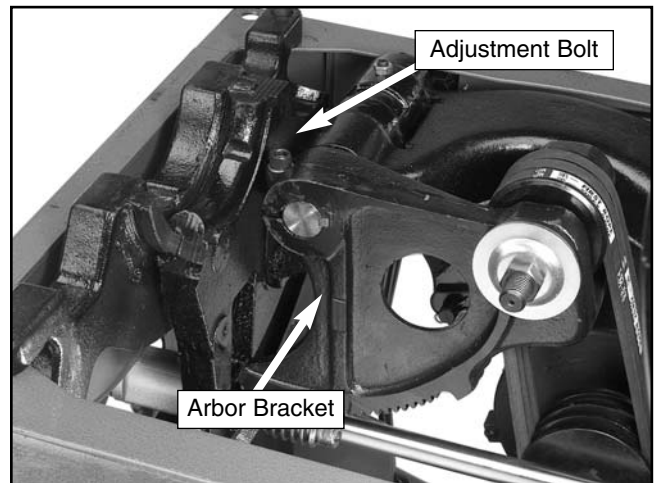


**Figure 21.** Proper splitter/blade alignment.

5. Recheck the splitter alignment to the blade and to the table top. Adjust as necessary and tighten all the bolts before use. If the blade guard is properly aligned, please skip ahead to **step 10**; otherwise, continue with the next step.
6. If the splitter is positioned to the left of the blade, alignment cannot be achieved by washer placement. Adjustment of the front support bracket is required. See **Figure 21** for adjustment details. Loosen the (2) adjustment screws and move left or right.
7. If this adjustment does not allow enough movement of the splitter, remove the table and wings, and set them to one side.



8. The arbor bracket and motor pulley needs adjusting. Loosen the adjustment bolt shown in **Figure 22**, and slowly slide the arbor bracket towards the end of the shaft. Only move the arbor bracket a distance equal to the amount of misalignment between the blade and the splitter, or a little more. You can always adjust the splitter back to the left with washers. Tighten the adjustment bolt securely.

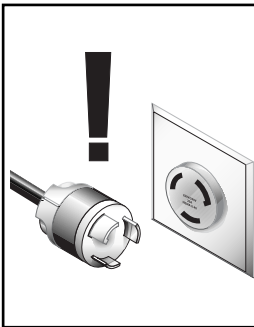


**Figure 22.** Arbor bracket adjustment locations.

9. Moving the arbor bracket moves the V-belts and pulleys out of alignment, so adjustment of the motor pulley is required. Simply loosen the setscrew in the middle groove of the pulley, and slowly slide the pulley toward the end of the motor shaft. Once the V-belts are back in alignment, tighten the setscrew securely.
10. Recheck the guard alignment to the blade and to the table top. Adjust as necessary and tighten down all the bolts before use. If the blade guard is properly aligned, re-attach the table, making sure there is adequate blade clearance through all blade adjustments.
11. Adjust the blade to 45°. Raise and lower it through the full range. Re-adjust the blade to 90°, then raise and lower it through the full range. There should be no contact between the blade, the base, the table insert, or any other part of the saw. If there is contact, repeat **steps 7-9**.

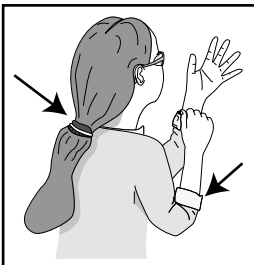


# SECTION 5: ADJUSTMENTS



## **⚠️ WARNING**

Disconnect power to the machine when performing any maintenance, assembly or adjustments. Failure to do this may result in serious personal injury.



## **⚠️ WARNING**

Keep loose clothing rolled up and out of the way of machinery and keep hair pulled back.



## **⚠️ WARNING**

Wear safety glasses during the entire adjustment process. Failure to comply may result in serious personal injury.

## Blade Height

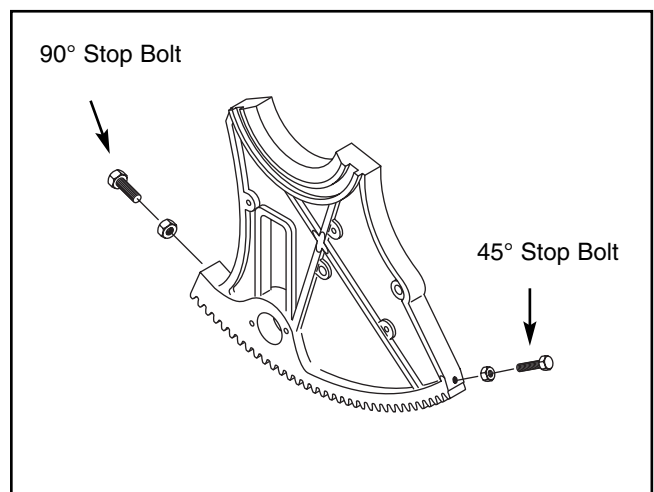
When preparing to operate your table saw, you should adjust the blade height to approximately  $\frac{1}{4}$ " above the surface of the material you plan on cutting. The handwheel at the front of the saw adjusts the blade height. **To adjust the blade height:**

1. Loosen the locking knob at the center of the blade height handwheel.
2. Using a sample of the material you plan on cutting as a gauge, turn the handwheel until the blade reaches its intended height.
3. Retighten the locking knob.
4. Recheck your blade height with the sample material and re-adjust, if necessary.



## Blade Tilt

1. Set your blade angle at zero as shown on the angle indicator on the front of the saw and raise the blade several inches above the table.
2. Place a machinist's square flat on the table and slide it alongside the blade. The square should contact the blade evenly from bottom to top. Make sure that a blade tooth does not obstruct the movement of the square.
3. Adjust the handwheel until the square is flush with the blade. Loosen the tilt indicator arrow, set to zero, and retighten. Loosen and adjust the stop bolt on the left side of the front trunnion to allow a  $90^\circ$  stop point. See **Figure 23** for details.
4. Turn the blade angle handwheel until the angle indicator points at the desired angle.
5. Tighten the handwheel locking knob.
6. Repeat **Steps 1-6** for setting the blade to  $45^\circ$  and adjust the  $45^\circ$  stop bolt on the right side of the front trunnion. Use the  $45^\circ$  side of a combo square or a bevel gauge set at  $45^\circ$ .



**Figure 23.** Geared trunnion.



# Miter Slot to Blade

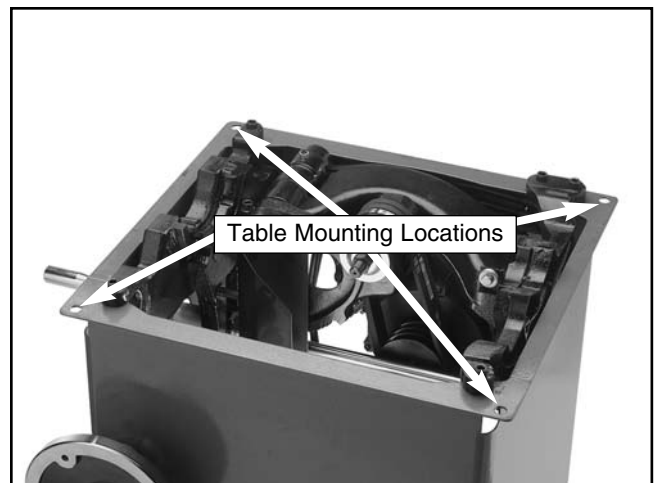
Your table saw will give the best results if the miter slot and the rip fence are adjusted parallel to the blade. If either of these are not exactly parallel, your cuts and your finished work will be lower in quality, but more important, this condition increases the risk of kickback. Take the time to adjust your table saw properly. A few minutes now will be time well spent.

1. Disconnect plug from power source.
2. Use an adjustable square to measure the distance from the miter slot to a carbide tip on the blade as shown in **Figure 24**. Make sure that the face of the adjustable square is even along the miter slot.
3. With the end of the adjustable square just touching the tip, lock the square in place. Now, mark the carbide tip with a magic marker where you made this measurement.
4. Rotate that tip to the other end of the table insert.
5. Slide the adjustable square down to the other end of the table insert, and compare the distance from the marked blade tip to the end of the adjustable square.



**Figure 24.** Adjusting blade to miter slot.

6. If the blade tip does not touch the end of the adjustable square similar to the first measurement, then the table will need to be adjusted.
7. To adjust the table, loosen the four bolts in the table mounting locations (see **Figure 25**) and slightly tap the table. Repeat **Steps 1-5** until satisfactory. Do not forget to tighten the table mounting bolts when finished.



**Figure 25.** Table mounting bolt holes.

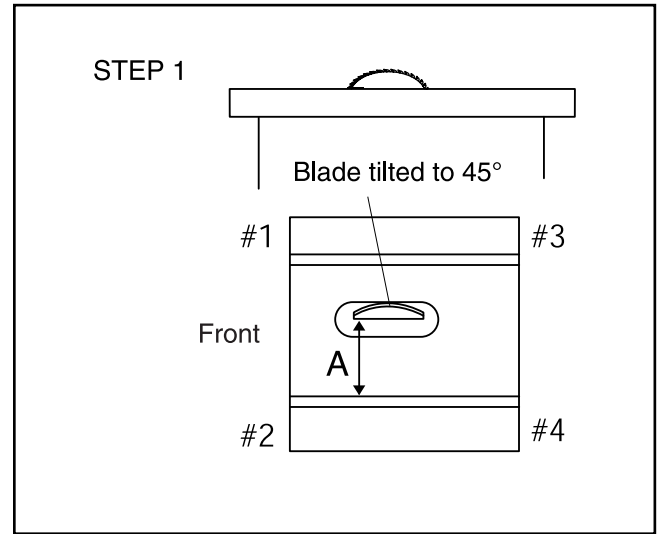
8. Now check to see if the blade remains parallel to the miter slot when tilted to 45°.
9. Tilt the blade to 45° and repeat **Steps 1-5**. If the blade is still parallel to the miter slot, continue on to the “Miter Gauge” instructions. Otherwise, continue with the next step.
10. If the blade was parallel to the miter slot at 90° but not at 45°, the table will need to be shimmed with metal shim stock. The shims are placed under the table over each of the four table mounting bolts.

## **!WARNING**

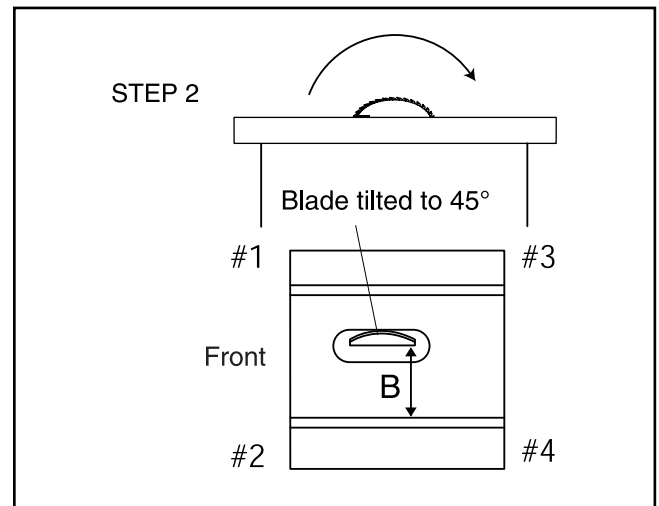
The saw blade is dangerously sharp. Use extra care when handling the blade or working near it. Serious injury is possible.



11. Refer to **Figures 26 and 27**, for shim placement. If the distance of A is shorter than B, shim(s) will need to be placed under corners #1 and #2. If the distance of B is shorter than A, shim(s) will need to be placed under corners #3 and #4. Very thin shim stock works well, just make sure they are all the same thickness, and you put an equal number under each of the two corners.
12. Tighten down one bolt a small amount and then move on to each of the others, tightening each down the same amount. Continue to rotate through the bolts, tightening them a little each time until they are all secure.
13. Now recheck the blade to miter slot at 90° and 45° by repeating **Steps 1-5**. If the distance of A and B are equal, continue to the “Miter Gauge” instructions. If the distances are still off, repeat **Steps 9-12**.
14. Once you feel you have the miter slot adjusted to the blade, recheck all measurements and be sure the table mounting bolts are secure. Repeat **Step 10** in **Section 4: Assembly**, “Blade Guard/Splitter.” Also, if you ever remove the table in the future, be sure to make note of shim placements and reassemble exactly how it came apart.



**Figure 26.** Shim procedure diagram A.



**Figure 27.** Shim procedure diagram B.



# Blade Alignment

The blade position can be adjusted slightly in case it contacts the table insert when raised or tilted. This adjustment can be made either by moving the whole trunnion assembly, or by just moving the arbor bracket. Try adjusting by moving the whole trunnion first, this is the easier of the two ways.

## To adjust the blade position by moving the trunnion:

1. Disconnect plug from power source.
2. Remove the table and wings and set them to one side.
3. Loosen the four trunnion mounting bolts as shown in **Figure 28**, and nudge to either the left or the right depending on where the blade is hitting the saw.

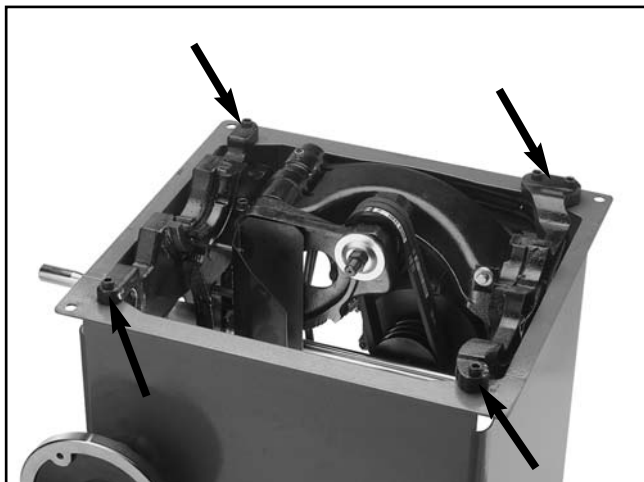


Figure 28. Trunnion mounting bolts.

	<p><b>!WARNING</b> The table and wings represent a very heavy load. <b>DO NOT</b> over-exert yourself while lifting or moving the table and wings – get assistance.</p>
---	---

4. Reattach the table, making sure there is adequate blade clearance through all blade adjustments. Recheck guard alignment to the blade and to the table top. Adjust as necessary and tighten down all the bolts before use.
5. If the blade is still contacting the insert, repeat **Steps 1-4**. Check all other adjustments.
6. Recheck the blade to miter slot adjustments, and adjust as necessary.

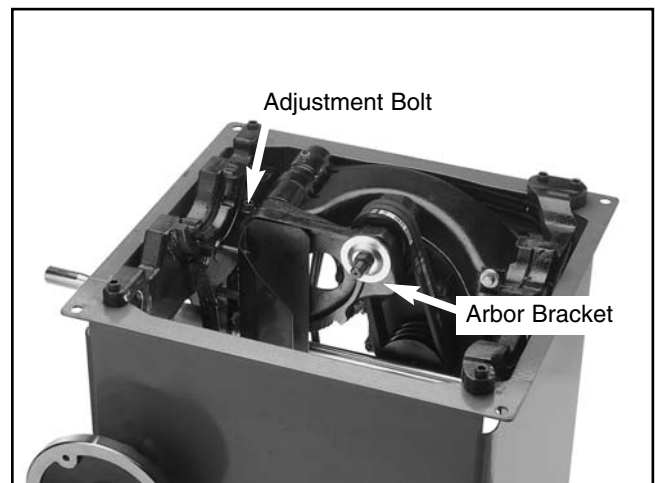


Figure 29. Adjusting arbor bracket.

## To adjust the blade position by moving the arbor bracket:

1. Disconnect plug from power source.
2. Remove the table and wings and set them to one side.
3. Loosen the adjustment bolt shown in **Figure 29**.
4. To adjust the arbor bracket, loosen the adjustment bolt. Slowly slide the arbor bracket towards the end of the shaft.

## NOTICE

If you make the adjustment described in this section, check and adjust the blade splitter to make sure it aligns with the blade.

5. Moving the arbor bracket moves the V-belts and pulleys out of alignment, so adjustment of the motor pulley is required. Simply loosen the setscrew in the middle motor groove pulley and slowly slide the pulley towards the end of the motor shaft. Once the V-belts are back in alignment, tighten the setscrew securely.
6. Reattach the table, making sure there is adequate blade clearance through all blade adjustments. Recheck guard alignment to the blade and to the table top. Adjust as necessary and tighten down all the bolts before use.
7. If the blade is still contacting the insert, repeat **Steps 1-6**. Check all other adjustments.
8. Recheck the blade to miter slot adjustments, and adjust as necessary.



## Rip Fence

The rip fence included with your Model G1023SL/G1023SLX Left-Tilting 10" Table Saw is designed to provide excellent ripping accuracy when properly adjusted. For complete adjustment procedures, refer to the manual that is included with the fence.



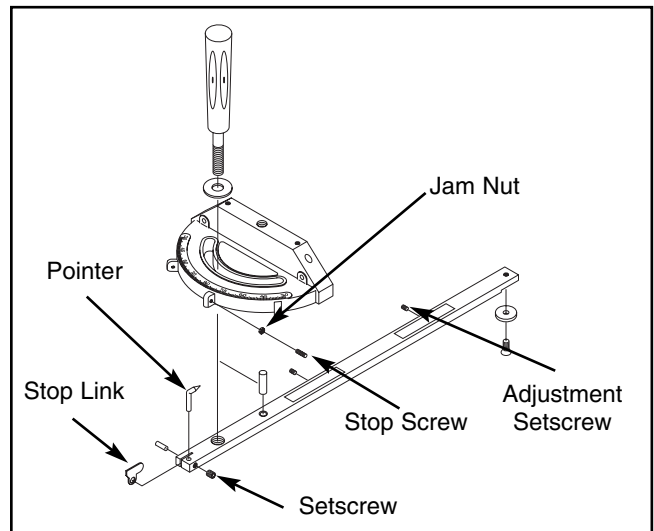
## Miter Gauge

**To adjust the miter gauge so it is perpendicular to the saw blade:**

1. Loosen the lock knob on the miter gauge and place a square against the face of the miter body and the blade.

2. Adjust the miter body until there is no space between the square and the blade. Tighten the lock knob.
3. With the stop link in the up position, loosen the jam nut and adjust the stop screw until it is seated against the stop link. See **Figure 30** for part locations.
4. Now loosen the setscrew on the left front side of the miter bar, adjust the pointer to 90° and tighten the setscrew.
5. To adjust to 45°, follow **Steps 1-4** using an adjustable square set to 45°.
6. After rotating the miter body from 45° to 90° and back a few times, double-check your adjustments at both angles to assure that you have accurately set your miter gauge.

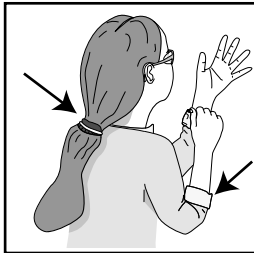
The miter bar can be adjusted so that it fits tighter in the miter slot. To do this, turn the adjustment setscrew shown in **Figure 30** clockwise. Turn the adjustment setscrew in small increments at a time so you do not over-adjust the miter bar.



**Figure 30.** Miter gauge diagram

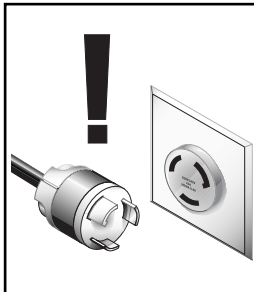


# SECTION 6: OPERATIONS



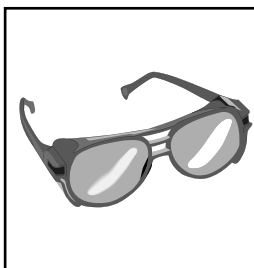
## **⚠️ WARNING**

Keep loose clothing out of the way of machinery and keep hair pulled back.



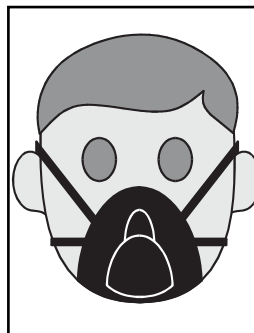
## **⚠️ WARNING**

Disconnect power to the machine when performing any adjustments or maintenance. Failure to do this may result in serious personal injury.



## **⚠️ WARNING**

Wear safety glasses during all operations on the shaper. Failure to comply may result in serious personal injury.



## **⚠️ CAUTION**

Always wear a dust mask when operating the table saw. Using this machine produces sawdust which may cause allergic reactions or respiratory problems.

## **NOTICE**

The following section was designed to give instructions on the basic operations of this table saw. However, it is in no way comprehensive of every table saw application. There are many different jigs that can be built to increase safety, accuracy, and types of cuts. **WE STRONGLY RECOMMEND** that you read books, trade magazines, or get formal training to maximize the potential of your table saw.

## **Pre-Run Check**

Before you begin to use your Model G1023SL/G1023SLX Left-Tilting 10" Table Saw, you should give it a thorough inspection. While making your inspection, ask yourself the following questions:

1. Are all the fasteners tight?
2. Is the blade mounted correctly?
3. Is the saw stable?
4. Is it wired properly?
5. Is your electrical system properly configured?
6. Have you checked your workpiece for obvious defects?
7. Are the V-belts properly tensioned and the pulleys properly aligned?
8. Is the guard assembly installed and functional?
9. Have you checked the saw blade clearance when it is adjusted to varying angles and depths?
10. Have you read all the warnings and directions regarding the operation of this machine?



# Test Run

1. Face the table saw and stand to the left of the blade path.
2. With one finger on the START button and one finger on the STOP button, turn the saw on. Be ready to turn the saw off in case of a mishap.
3. Watch and listen to the saw. Note whether there are any unusual sounds or excessive vibrations.
4. If anything appears abnormal, immediately turn off the saw, unplug it, and fix the problem. If a problem exists that is beyond the scope of this manual, call our service department.
5. If the saw is behaving normally, turn it off and prepare to make a cut according to the instructions outlined in this section.



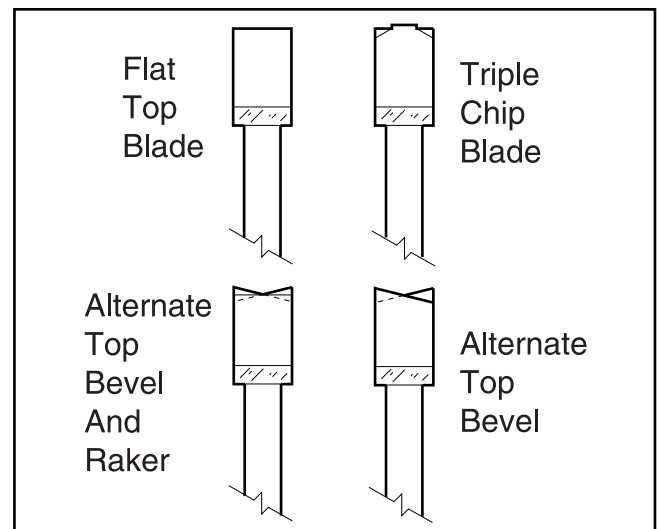
# Blade Selection

Choosing the correct blade for the job is essential for the safe and efficient use of your table saw. Ignoring this important step could result in damage to the saw and serious injury to the operator. Below are the most common saw blades and their uses.

1. **Rip Blade** (shown in **Figure 31**): Used for cutting with the grain. Typically, 10" rip blades have between 20-40 teeth, a flat-top ground profile (see **Figure 32** for saw tooth profiles) and large gullets to allow for large chip removal.



**Figure 31.** Ripping blade.



**Figure 32.** Various saw tooth cutting profiles.

2. **Cross-cut Blade:** Used for cutting across the grain. 10" cross-cut blades have between 60-80 teeth, alternate top bevel or steep alternate top bevel tooth profiles, small hook angle and a shallow gullet. See **Figure 33**.



**Figure 33.** Cross-cutting blade.

3. **Combination Blade:** Used for cutting with and across the grain. A compromise between a rip blade and a cross-cut blade, a 10" combination blade will typically have between 40-50 teeth, an alternate top bevel and flat or alternate top bevel and raker tooth profile. The teeth are arranged in groups of five. The gullets are small and shallow within the groups of five teeth, similar to a cross-cut blade; then large and deep between the groups, like a ripping blade. See **Figure 34**.



**Figure 34.** Combination blade.

4. **Plywood Blade:** Used for cutting plywood or veneers. A 10" plywood blade will have 40-80 teeth, a steep alternate top bevel tooth profile and very shallow gullet. See **Figure 35**.



**Figure 35.** Plywood blade.

5. **Thin-kerf:** Most types of saw blades are available in a thin-kerf style. Designed primarily to minimize stock waste, thin-kerf blades be used in conjunction with a blade stabilizer to reduce blade wobble. **Note:** Most blade guards/splitters are thicker than most thin-kerf blades. Make sure that the stock will pass by the guard/splitter before beginning a cut.
6. **Dado Blades:** There are two types of dado blades: stack and wobble. Stack dadoes are expensive and time consuming to set up but leave a clean and smooth finish. Stack dadoes are used for fine furniture and cabinet making. Wobble dadoes are inexpensive and easy to set up, but leave a rough finish.
7. **Moulding Heads:** A moulding head is a cutterhead that attaches to the arbor and holds individual moulding knives. We do not recommend their use. They are very dangerous and required training beyond the scope of this manual.

This section on blade selection is by no means comprehensive. Always follow the saw blade manufacturer's recommendations to assure safe and efficient operation of your table saw.



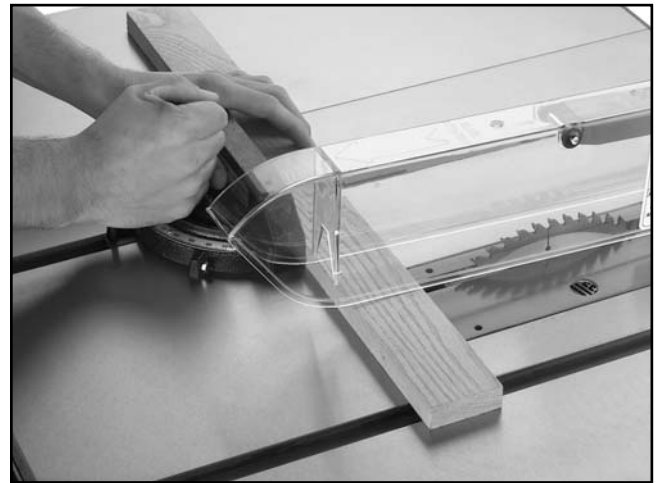
## Crosscutting

Crosscutting means cutting across the grain of the wood. In wood products without grain (i.e. MDF, particleboard) crosscutting simply means cutting across the width of the stock.

Crosscuts are made with the miter gauge. There are two miter gauge slots in the table top. Use the one that works best for the piece being crosscut.  
**To make a crosscut using the miter gauge:**

1. Inspect the board for soundness. You do not necessarily need a square edge to crosscut with accuracy.

2. Inspect the miter gauge. Is it properly set and tight? Move the rip fence completely out of the way.
3. Turn on the saw and allow it to come to full speed.
4. Hold the workpiece firmly against the face of the miter gauge and ease it into the blade (See **Figure 36**) and through the workpiece.
5. Turn off the saw and allow the blade to come to a full stop.



**Figure 36.** Cross-cut operation.

### **!WARNING**

Small cutoff pieces can contact the moving blade and be thrown back toward the operator. Always use the least amount of clearance between the table insert and the blade to reduce the risk of injury from these pieces. Never attempt to grab these pieces while the table saw is turned on. Your hand may come into contact with the blade. Turn the table saw off and safely remove these pieces **AFTER** the blade has come to a complete stop or use a long scrap piece of wood to carefully move them away from the spinning blade.



# Ripping

Ripping means to cut with the grain of the wood. In other materials such as MDF or plywood, ripping simply means to cut lengthwise. **To rip a board:**

1. Inspect the board for soundness. You will need a straightedge to rip with accuracy. Your workpiece may need to be jointed flat before attempting to cut on the table saw.

## **⚠️ WARNING**

**Never attempt to rip a board that does not have one perfectly straight edge on it. Always run the straight edge of the board against the rip fence. Failure to do this could result in kickback and serious personal injury.**

2. Set the rip fence to the desired distance from the blade. **IF YOU ARE MAKING NARROW CUTS, USE A PUSH-STICK.** Serious injury can occur if you put your hands close to the blade. A push-stick pattern has been included in this manual on **Page 45**, or you can purchase the G3445 or G1411 push stick from the Grizzly catalog. Use them to hold the workpiece against the table and fence, and push the workpiece fully past the blade. When a small width is to be ripped and a push-stick cannot be safely put between the blade and rip fence, rip a larger piece to obtain the desired piece.

3. Turn on the saw and allow it to reach full speed. Place the trued edge of the board against the rip fence. Feed the workpiece slowly and evenly into the blade and through the workpiece. Do not stand behind the board as shown in **Figure 37**.



**Figure 37.** Do not stand directly behind wood!

## **⚠️ WARNING**

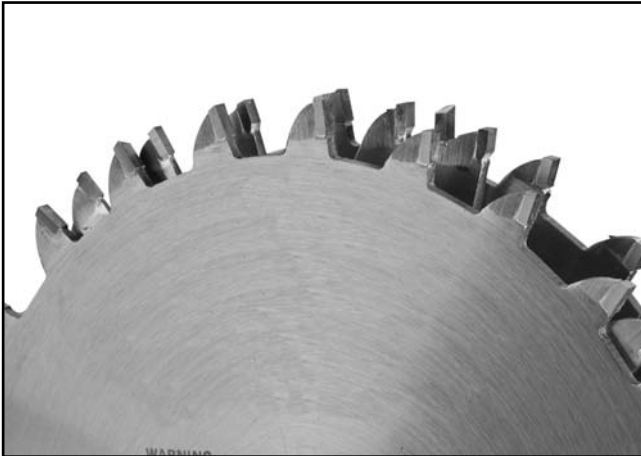
**Stand out of the line of potential kickback. Hold the workpiece firmly against the fence and table. Do not allow your fingers to get close to the blade! Do not reach over the blade to off-load the workpiece.**





# Dado Operations

In addition to its ability to rip and crosscut lumber, the table saw is also an invaluable tool for creating a variety of dados. These non-through cuts can be created with a regular saw blade or with specially-designed stacking or wobbling dado blades. See **Figure 38**.



**Figure 38.** Optional dado blade system.

## **!WARNING**

Never allow hands or arms to be above or behind the saw blade. Should kickback occur, the hands and arms can be pulled into the saw blade. Serious injury will result.

## **!WARNING**

Never perform a through cut operation with a dado blade. A dado blade was designed to make non-through cuts only. Failure to follow these directions could result in serious injury will result.

## **!WARNING**

Dado operations present very real hazards requiring proper procedures to avoid serious injury. The chance of kickback is always greater when dado blades are used so extra precautions must be used. Any movement of the stock away from the fence will cause kickback. Be certain that stock is flat and straight. Failure to follow these warnings could result in serious personal injury.

## **!CAUTION**

Always use push sticks, featherboards, push paddles and other safety accessories whenever possible to increase safety and control during operations which require the blade guard and splitter to be removed from the saw. **ALWAYS** replace the blade guard after dadoing is complete.

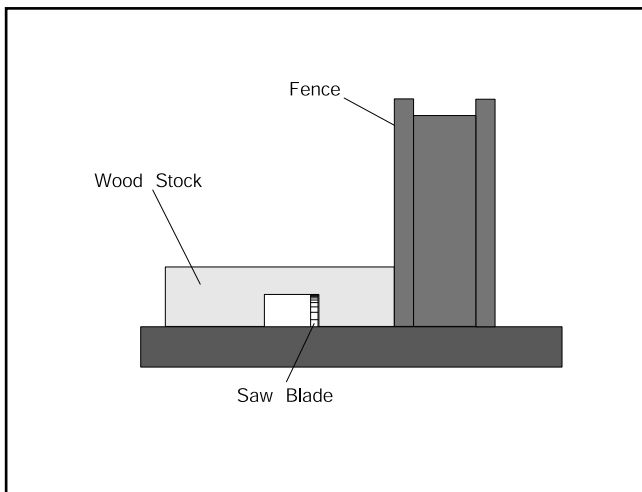
Proper dado operations will differ depending on the blade system you choose. Consult the instructions included with your dado blades for directions regarding attachment and adjustment.

### **To use a dado blade:**

1. Ensure that the saw is switched off and disconnected from its power source.
2. Remove the table insert, splitter guard, and regular saw blade.
3. Attach and adjust the dado blade system as recommended in the dado blade's instructions.
4. Install the dado table insert.
5. Raise the blade system up to the desired depth of the dado. Make sure the dado blade will not cut through the work piece.
6. If dadoing along the length of your work-piece, adjust the distance between the fence and the inside edge of the blade to suit your needs. When cutting across the wood grain, use the miter gauge as a guide while dadoing. **Remember:** never use the fence as a stop in conjunction with your miter gauge.
7. Reconnect the saw to the power source.
8. Using a scrap as a test piece, switch on the saw and take a pass over the dado blade.
9. If the cut is satisfactory, repeat with your finish stock.
10. Re-install the blade guard.

Dadoing operations can also be accomplished using a conventional saw blade. **To create a single-blade dado:**

1. Clearly mark the width of the dado cut on your workpiece. Include marks on the edge of your workpiece so you can clearly identify your intended cut while the material is laying flat on the saw table.
2. Set the blade height to the depth of cut you wish to create.
3. If the dado runs the length of the material, adjust the fence so the blade is aligned with the inside of your dado channel. See **Figure 39**.
4. Turn on your saw and make the first cut.



**Figure 39.** Single-blade dado cut.

5. Turn off the saw and re-adjust the fence so the blade is aligned with the other edge of the intended dado channel. Be sure to keep the cuts within your marks; otherwise, your dado will be too large.
6. Turn on the saw and make a second cut.
7. Move toward the center of the dado with your subsequent cuts until the dado is complete.
8. Re-install the blade guard.

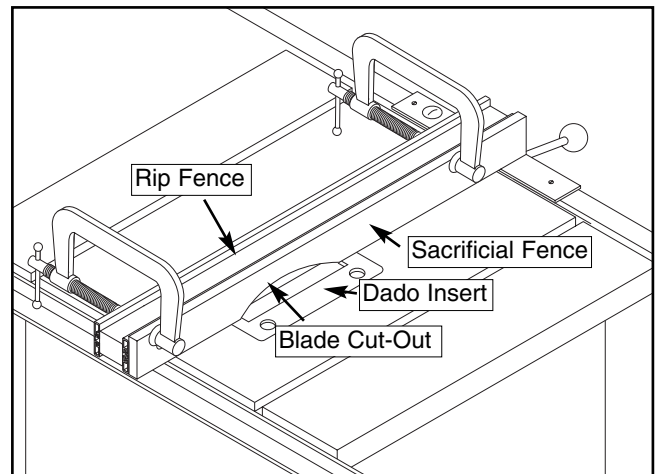


## Rabbet Operations

In addition to its ability to create a variety of dados, this table saw can be used to cut L-shaped rabbets. These cuts can be created with a regular saw blade or with specially-designed stacking or wobbling dado blades like the one shown in **Figure 38**.

Proper rabbet operation will differ depending on the blade system you choose. Consult the instructions included with your dado blades for directions regarding attachment and adjustment. **To use a dado blade for rabbeting operations:**

1. Rabbet cutting on the edge of a piece of stock requires the use of a sacrificial fence attachment. See **Figure 40**. The sacrificial fence can be made from a piece of wood that is as long as the metal fence and  $\frac{3}{4}$ " thick. Once the sacrificial fence has been cut, attach it to the metal fence with screws or clamps, making sure they are all secure and tight.

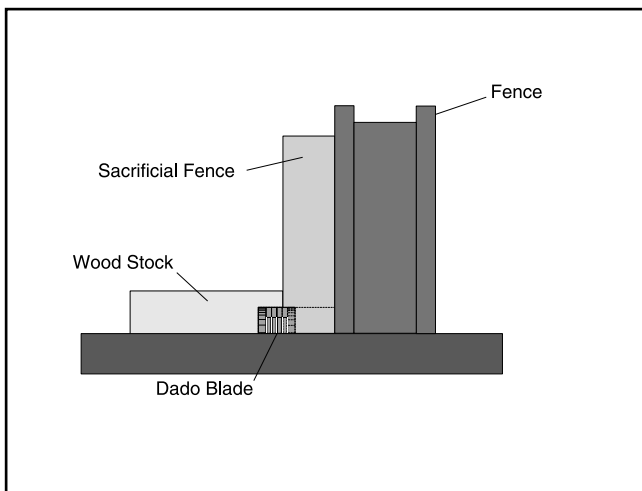


**Figure 40.** Sacrificial fence.

### **CAUTION**

**Always use push sticks, featherboards, push paddles and other safety accessories whenever possible to increase safety and control during operations which require that the blade guard and splitter must be removed from the saw. ALWAYS replace the blade guard after dadoing is complete.**

2. Ensure that the saw is switched off and disconnected from its power source.
3. Remove the table insert, splitter guard and the regular saw blade from the arbor.
4. Attach and adjust the dado blade system as recommended in the dado blade's instructions. Raise the blade system according to your needs. Make sure it will not cut through the workpiece.
5. If rabbeting along the length of your workpiece, adjust the distance between the fence and the outside edge of the blade to suit your needs. See **Figure 41**. When cutting across the wood grain, use the miter gauge as a guide while rabbeting. **Remember:** never use the fence as a stop in conjunction with your miter gauge.
6. Using a scrap as a test piece, switch on the saw and take a pass over the dado blade.
7. If the cut is satisfactory, repeat with your finish stock.
8. Re-install the blade guard.



**Figure 41.** Rabbet cutting.

Rabbeting operations can also be accomplished using a conventional saw blade. **To create a single-blade rabbet:**

1. Clearly mark the width of the rabbet cut on your workpiece. Include marks on the edge of your workpiece so you can clearly identify your intended cut while the material is laying flat on the saw table.
2. Set the blade height to the depth of cut you wish to create.
3. If the rabbet runs the length of the material, adjust the fence so the blade is aligned with the inside of your rabbet channel.
4. Turn on your saw and make the first cut.
5. Turn off the saw and re-adjust the fence so that the next cut will remove another portion of the wood stock between the inside edge of the rabbet and the edge of the wood.
6. Turn on the saw and make a second cut.
7. Continue to re-adjust the blade and cut until the entire rabbet is made.
8. Re-install the blade guard.

**⚠ CAUTION**

Instructions on using moulding heads have been intentionally left out. They are very dangerous when not used properly. Considerable skill and training beyond the scope of this manual are required to safely operate a moulding head. Serious personal injury could result if this caution is not followed.



# SECTION 7: MAINTENANCE

## General

Regular periodic maintenance on your Model G1023SL/G1023SLX will ensure its optimum performance. Make a habit of inspecting your machine each time you use it. **Check for the following conditions and repair or replace when necessary:**

1. Guard alignment and operation.
2. Worn switch.
3. Worn or damaged cords and plugs.
4. Damaged V-belt.
5. Loose mounting bolts.
6. Inspect blades for damage.
7. Any other condition that could hamper the safe operation of this machine.



## Tables

The nonpainted surfaces on the Model G1023SL/G1023SLX should be protected against rust and pitting. Wiping the machine clean after every use ensures that wood dust is not allowed to trap moisture against bare metal surfaces.

Tables can be kept rust-free with regular applications of products like SLIPIT®. For long term storage you may want to consider products like Boeshield T-9™.



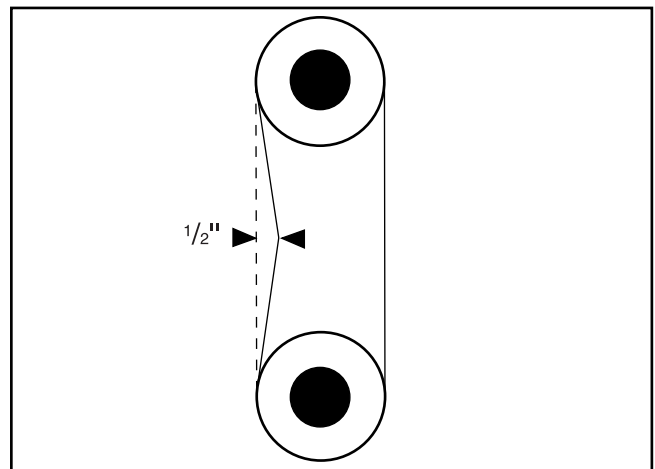
## V-Belt

To ensure optimum power transmission from the motor to the blade, the V-belts must be in good condition and operate under the proper tension. When replacing V-belts, replace all three at the same time—even if they do not all appear worn.

Belt tension should be checked at least every 3 months; more often if using the table saw intensively.

The V-belts are accessed through the cavity on the right side of the saw. They link the arbor and motor pulleys. **To check V-belt tension:**

1. With moderate pressure, push the center of each V-belt.
2. Note the amount of deflection. Deflection should be approximately  $\frac{1}{2}$ ", similar to **Figure 42**.



**Figure 42.** Belt deflection.

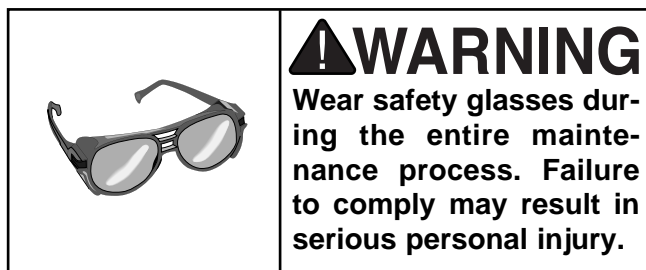
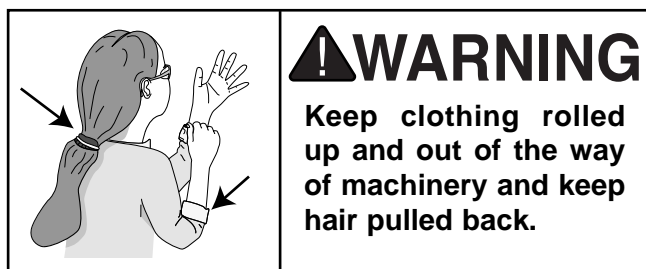


### To adjust V-belt tension:

1. Loosen the motor mount bolt.
2. Shift the motor up or down to increase or decrease the V-belt tension. Tighten the motor mount bolt.
3. Check the V-belt tension again. Ensure that the motor pulley and arbor pulley are lined up.

### To replace the V-belts:

1. Remove the blade.
2. Adjust the arbor so it is up all the way and in the 90° position.
3. Place a board under the motor and loosen the motor mount bolt. Slowly lower the arbor until the motor rests on the board, allowing the belts to be loose on the pulleys.
4. Pull off the old V-belts and replace them with new ones. Have the number from the belt ready when calling the service department for replacements.
5. Raise the arbor and remove the board to adjust the V-belt tension.
6. Tighten the motor mount bolt.



# Lubrication

Lubricate the areas indicated below every 12 months.

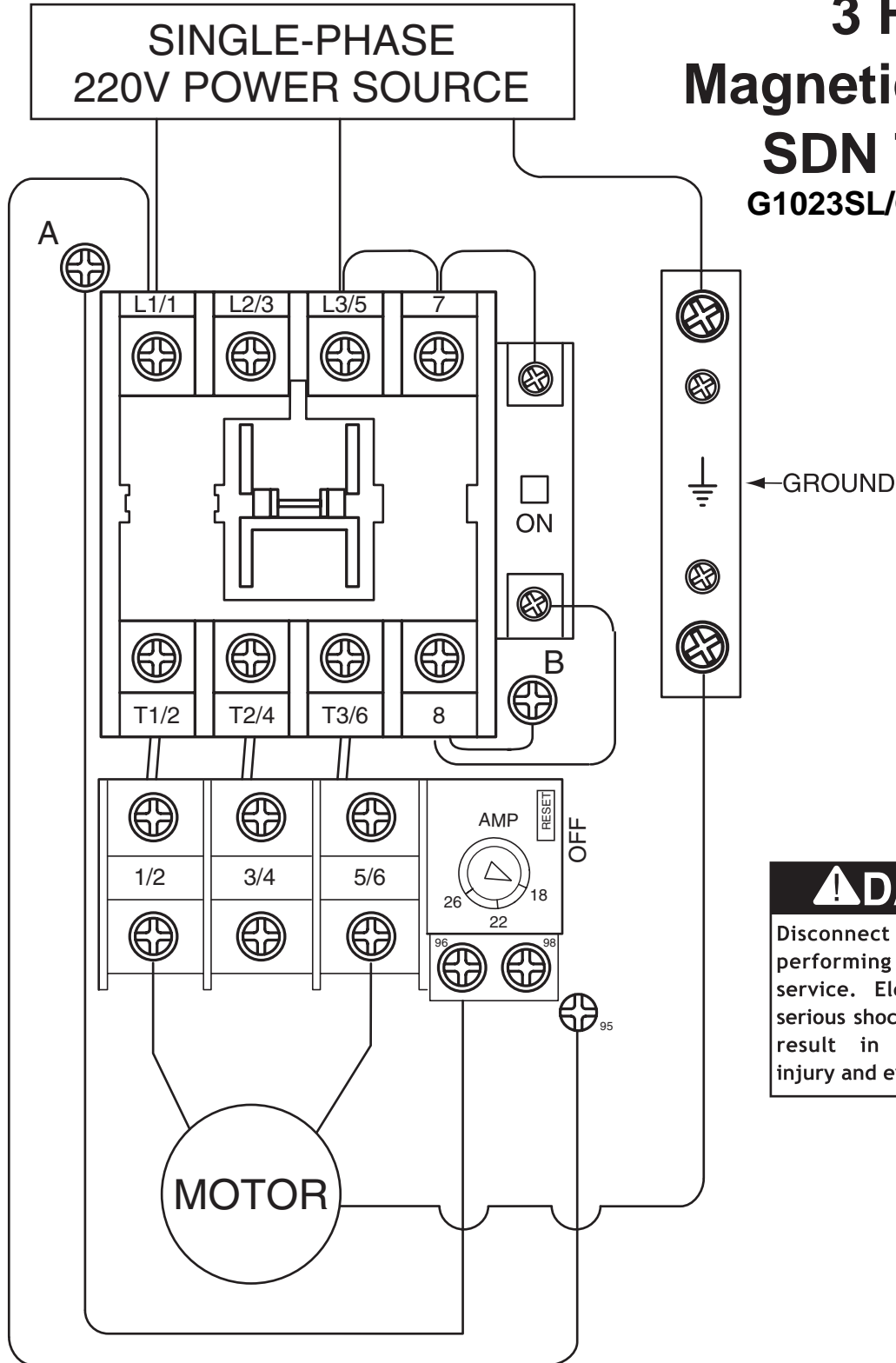
1. **Blade angling trunnions.** These should be lubricated with 6 or 7 drops of light machine oil.
2. **Blade height trunnion.** This should also be lubricated with 6 or 7 drops of light machine oil.
3. **The two (2) worm gears** should be lubricated with an automotive wheel bearing grease.

These points can be reached by removing the table. Check all adjustments when finished lubricating.





# 3 HP Magnetic Switch SDN TYPE G1023SL/G1023SLX



**⚠ DANGER**

Disconnect power before performing any electrical service. Electricity presents serious shock hazards that will result in severe personal injury and even death!

# SECTION 8: CLOSURE

---

The following pages contain general machine data, troubleshooting guide, parts diagram, parts list and Warranty/Return information for your Model G1023SL/G1023SLX Left-Tilting 10" Table Saw.

If you need parts or help in assembling your machine, or if you need operational information, we encourage you to call the Customer Service Department. Our trained service technicians will be glad to help you.

If you have comments dealing specifically with this manual, please write to our Bellingham, Washington location using the address in the Introduction. The specifications, drawings, and photographs illustrated in this manual represent the Model G1023SL/G1023SLX as supplied when the manual was prepared. However, due to Grizzly's policy of continuous improvement, changes may be made at any time with no obligation on the part of Grizzly. Whenever possible, though, we send manual updates to all owners of a particular tool or machine. Should you receive one, add the new information to this manual and keep it for reference.

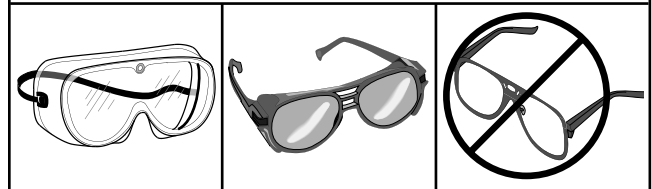
We have included some important safety measures that are essential to this machine's operation. While most safety measures are generally universal, Grizzly reminds you that each workshop is different and safety rules should be considered as they apply to your specific situation.

We recommend you keep a copy of our current catalog for complete information regarding Grizzly's warranty and return policy. If you need additional technical information relating to this machine, or if you need general assistance or replacement parts, please contact the Customer Service Department listed in the introduction.

Additional information sources are necessary to realize the full potential of this machine. Trade journals, woodworking magazines, and your local library are good places to start.

## **WARNING**

**Operating this equipment has the potential for flying debris to cause eye injury. Always wear safety glasses or goggles when operating equipment. Everyday glasses or reading glasses only have impact resistant lenses, they are not safety glasses. Be certain the safety glasses you wear meet the appropriate standards of the American National Standards Institute (ANSI).**





# MACHINE DATA SHEET

Customer Service #: (570) 546-9663 • To Order Call: (800) 523-4777 • Fax #: (800) 438-5901

## GRIZZLY MODEL G1023SL/G1023SLX LEFT-TILTING 10" TABLE SAW

### Overall Dimensions:

Table Size .....	40 <sup>1</sup> / <sub>8</sub> " x 27" w/Wings
Stand .....	Cabinet Style, Powder Coated
Overall Height .....	40 <sup>3</sup> / <sub>4</sub> "
Overall Width.....	56"
Overall Depth .....	34"
Base Dimension .....	20 <sup>1</sup> / <sub>2</sub> " W x 20 <sup>1</sup> / <sub>2</sub> " D
Weight .....	430 lbs

### Capacities:

Blade Tilt .....	0°-45° Left
Maximum Blade Diameter.....	10"
Maximum Width Of Cut .....	26"
Maximum Depth Of Cut @ 90° .....	3"
Maximum Depth Of Cut @ 45° .....	2 <sup>1</sup> / <sub>8</sub> "
Maximum Dado Width .....	1 <sup>3</sup> / <sub>16</sub> "

### Motor:

Type .....	TEFC Capacitor Start Induction
Size .....	3 HP
Phase / Cycle .....	Single-Phase / 60 Hz
Amps .....	18
Voltage.....	220V
Speed (RPM) .....	3450
Power Transfer .....	Triple V-Belt Drive
Bearings.....	Shielded & Lubricated Ball Bearings
Switch .....	Heavy Duty Magnetic

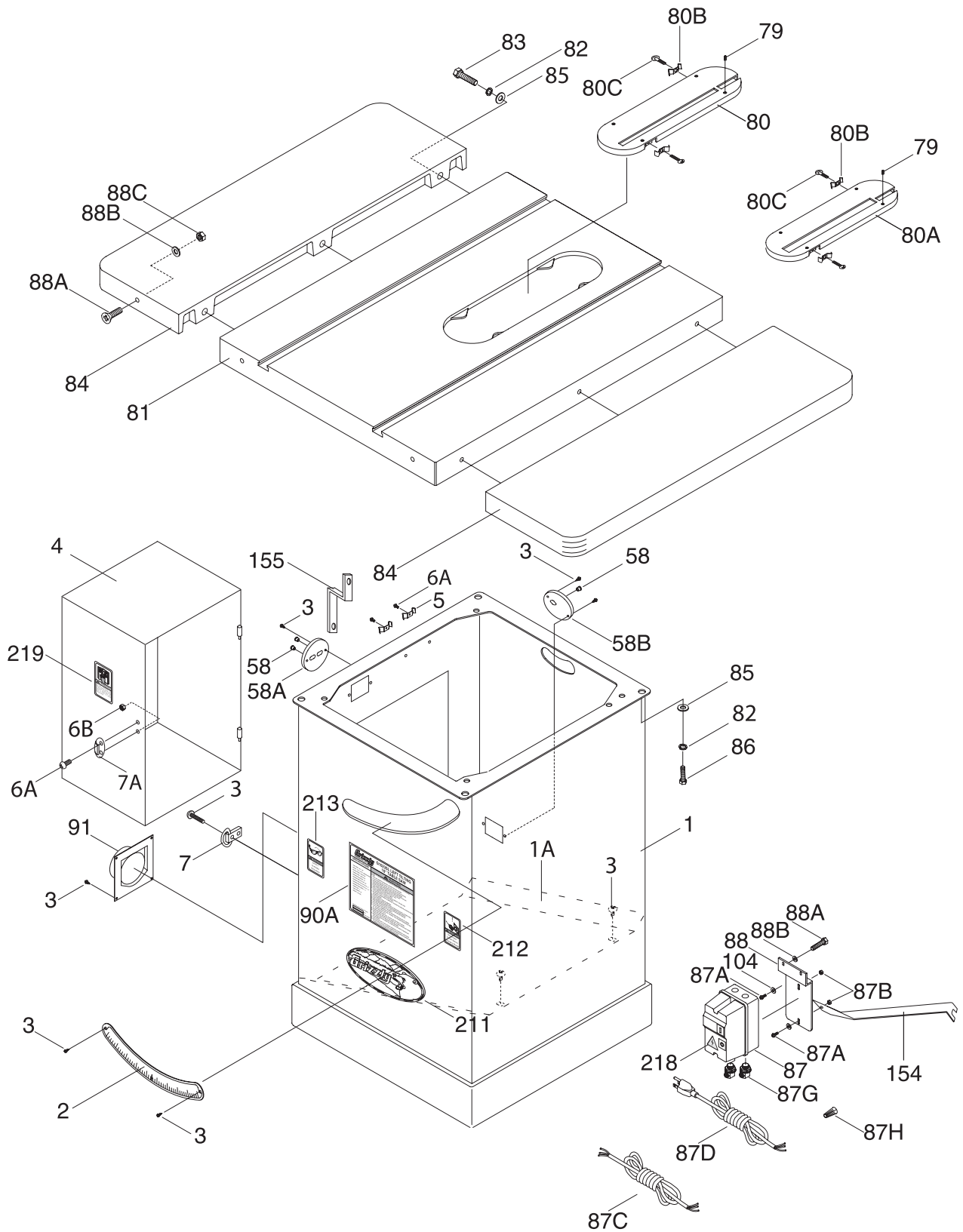
### Arbor:

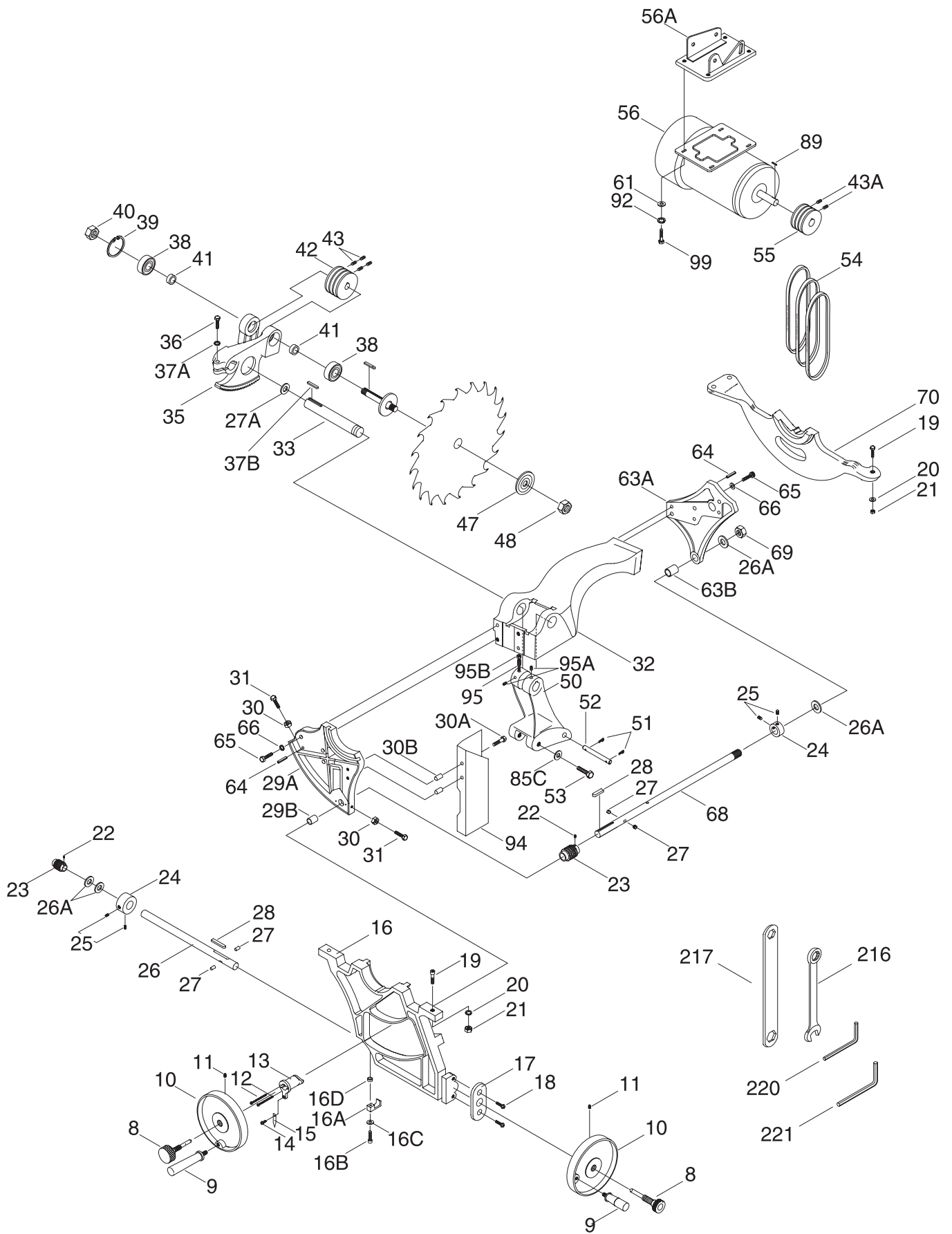
Arbor Size .....	5/8"
Arbor Speed .....	4200 RPM

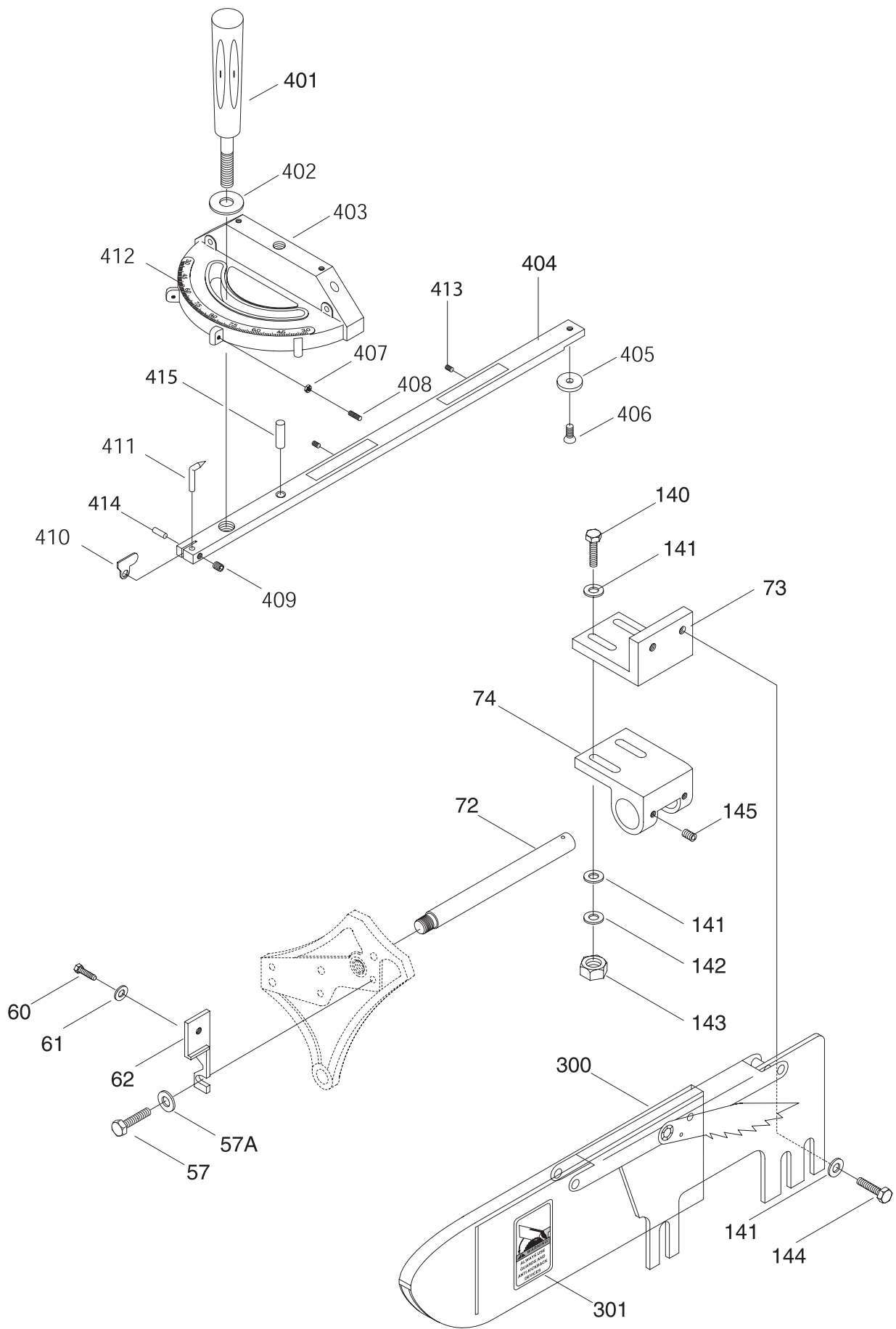
### Features:

.....	(G1023SL) Shop Fox® Classic Fence With Standard Rails
.....	(G1023SLX) Shop Fox Classic Fence With Extension Rails and Table
.....	Extra Large Handwheels
.....	Two Table Inserts for Blade and Dado
.....	Miter Gauge
.....	Ground Table Top
.....	Powder Coated Paint









REF	PART #	DESCRIPTION
01	P1023SL001	CABINET
01A	P1023SL001A	LOWER PANEL
02	P1023SL002	SCALE
03	PHTEK4	TAP SCREW 10-24 X 10L
04	P1023SL004	MOTOR COVER
05	P1023SL005	CORD CONNECTOR
06A	PS01	PHLP HD SCRW 10-24 X 1/2"
06B	PN07	HEX NUT 10-24
07	P1023SL007	LATCH
07A	P1023SL007A	STRIKE
08	P1023SL008	LOCK KNOB
09	P1023SL009	HANDLE
10	P1023SL010	HANDWHEEL
11	PSS15	SETSCREW 3/8"-16 X 3/8"
12	PSB65	CAP SCREW 10-24 X 2"
12A	PLW03	LOCK WASHER 3/16"
13	P1023SL013	POINTER BRACKET
14	PS35	PHLP HD SCRW 5/16"-18 X 3/8"
15	P1023SL015	POINTER
16	P1023SL016	FRNT TRUNNION BRACKET
16A	P1023SL016A	GUIDE BLOCK
16B	PSB05	CAP SCREW 1/4"-20 X 3/4"
16C	PW06	FLAT WASHER 1/4"
16D	P1023SL016D	COLLAR
17	P1023SL017	SHIELD PLATE
18	PS35	PHLP HD SCRW 5/16"-18 X 3/4"
19	PSB26	CAP SCREW 3/8"-16 X 1 1/2"
20	PLW04	LOCK WASHER 3/8"
21	PN08	HEX NUT 3/8"-16
22	PSS03	SETSCREW 1/4"-20 X 3/8"
23	P1023SL023	WORM GEAR
24	P1023SL024	COLLAR
25	PSS05	SETSCREW 5/16"-18 X 1/4"
26	P1023SL026	TILT SHAFT
26A	P1023SL026A	BRASS WASHER 3/4"
27	P1023SL027	PIN
27A	P1023SL027A	BEARING LOAD SPRING
28	PK15M	KEY 5 X 5 X 35L
29A	P1023SL029A	GEARED TRUNNION
29B	P1023SL029B	BUSHING
30	PN02	HEX NUT 5/16"-18

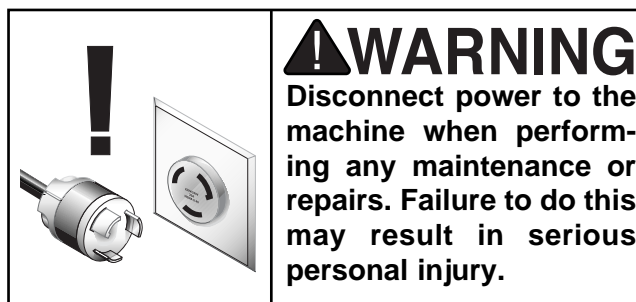
REF	PART #	DESCRIPTION
30A	PSB08	CAP SCREW 5/16"-18 X 1 1/2"
30B	P1023SL030B	SPACER
31	PB03	HEX BOLT 5/16"-18 X 1
32	P1023SL032	FLANGE
33	P1023SL033	SHAFT
35	P1023SL035	GEAR BEARING HOUSING
36	PSB26	CAP SCREW 3/8"-16 X 1 1/2"
37A	PLW04	LOCK WASHER 3/8"
37B	PK03	KEY 1/4" X 1/4" X 45L
38	P6203	BEARING 6203 ZZ
39	PR23M	SNAP RING 40MM
40	P1023SL040	ARBOR NUT
41	P1023SL041	COLLAR
42	P1023SL042	ARBOR PULLEY
43	PSS11	SETSCREW 1/4"-20 X 1/4"
43A	PSS07	SETSCREW 1/4"-20 X 1/2"
44	PK02M	KEY 5 X 5 X 40L
45	P1023SL045	BLADE ARBOR
46	P1023SL046	BLADE (NOT INCLUDED)
47	P1023SL047	ARBOR FLANGE
48	P1023SL048	ARBOR NUT
49	P1023SL049	COLLAR
50	P1023SL050	MOTOR FRAME SUPPORT
51	P1023SL051	CLIP
52	P1023SL052	PIVOT PIN
53	PSB14	CAP SCREW 3/8"-16 X 1"
54	PVM26	V-BELT, SET OF 3
55	P1023SL055	MOTOR PULLEY
56	P1023SL056	MOTOR 3 HP
56A	P1023SL056A	MOTOR PLATE
57	PB15	HEX BOLT 5/16"-18 X 3/8"
57A	PW07	FLAT WASHER 5/16"
58	P1023SL058	CORD CLAMP
58A	P1023SL058A	CORD CLAMP PLATE
58B	P1023SL058B	CORD CLAMP PLATE
60	PB07	HEX BOLT 5/16"-18 X 3/4"
61	PW07	FLAT WASHER 5/16"
62	P1023SL062	BRACKET
63A	P1023SL063A	REAR TRUNNION
63B	P1023SL063B	BUSHING
64	P1023SL064	ROLL PIN 5/16"-1"

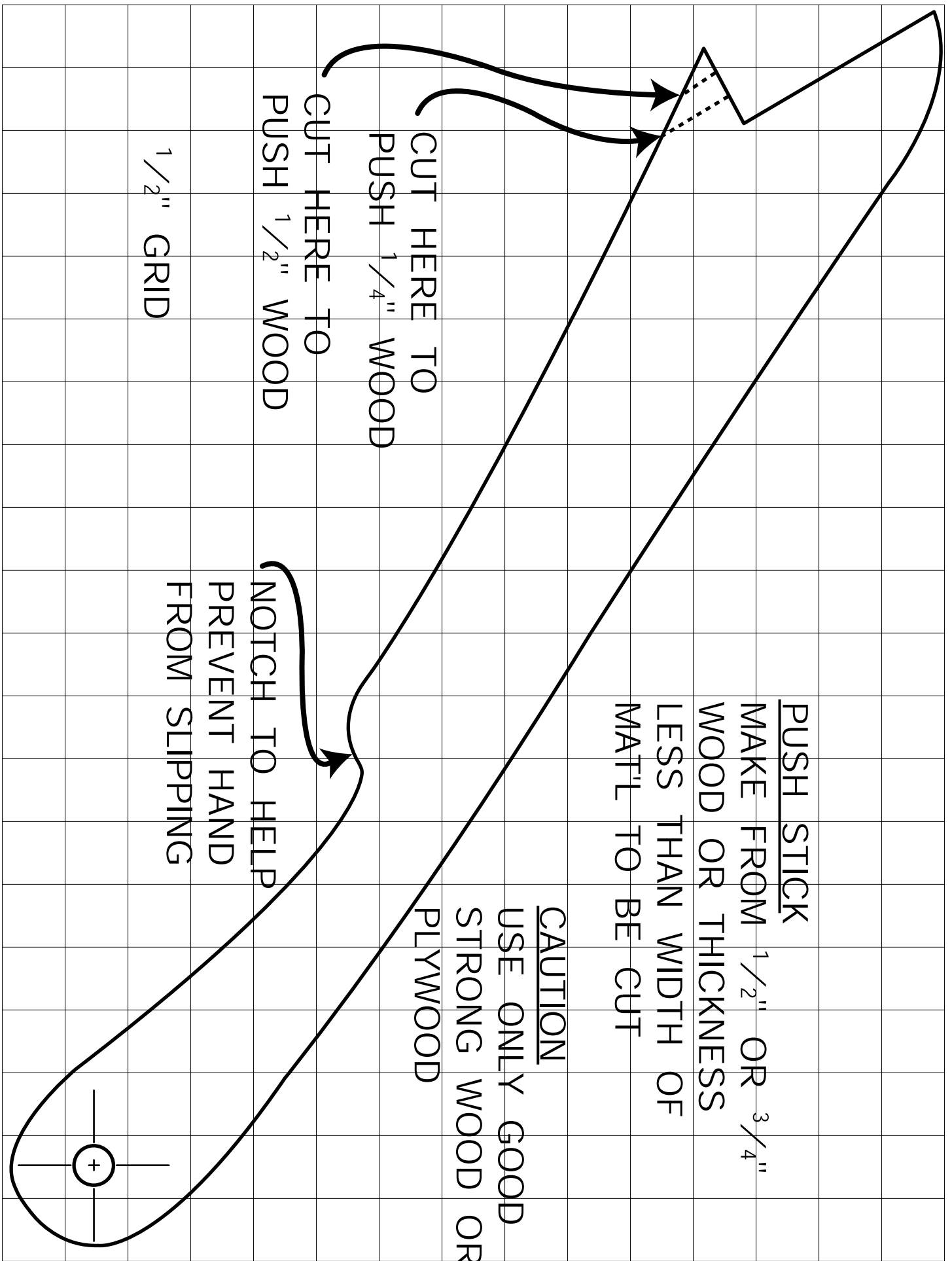
REF	PART #	DESCRIPTION
65	PSB14	CAP SCREW 3/8"-16 X 1"
66	PLW04	LOCK WASHER 3/8"
68	P1023SL068	SHAFT
69	PN03	HEX NUT 3/4"-16
70	P1023SL070	REAR TRUNNION BRACKET
72	P1023SL072	SHAFT
73	P1023SL073	UPPER GUARD BRACKET
74	P1023SL074	LOWER GUARD BRACKET
79	PSS07	SETSCREW 1/4"-20 X 1/2"
80	P1023SL080	STANDARD TABLE INSERT
80A	P1023SL080A	DADO TABLE INSERT
80B	P1023SL080B	SPRING CLIP
80C	PS06	PHLP HD SCREW 10-24 X 3/8"
81	P1023SL081	TABLE
82	PLW04	LOCK WASHER 3/8"
83	PB24	HEX BOLT 3/8"-16 X 1 1/4"
84	P1023SL084	EXTENSION WING
85	PW02	FLAT WASHER 3/8"
86	PSB14	CAP SCREW 3/8"-16 X 1"
87	P1023SL087	MAGNETIC SWITCH
87A	PS31	PHLPHD SCRW 10-24 X 1 3/4"
87B	PN07	HEX NUT 10-24
87C	P1023SL087C	MOTOR CORD
87D	P1023SL087D	POWER CORD
87E	P1023SL087E	LOCKING CABLE TIES
87G	P1023SL087G	GROMMET
87H	P1023SL087H	WIRE CONNECTORS
88	P1023SL088	SWITCH PLATE
88A	P1023SL088A	FLT HD SCREW 5/16"-18 X 1"
88B	PW07	FLAT WASHER 5/16"
88C	PN02	HEX NUT 5/16"-18
89	PK02M	KEY 5 X 5 40MM
90A	P1023SL090A	WARNING ID LABEL
91	P1023SL091	DUST HOSE ADAPTER
92	PW07	LOCK WASHER 5/16"
94	P1023SL094	DUST DEFLECTOR
95	P1023SL095	SPECIALSCRW 5/16"-18 X 1 1/4"
95A	PSS08	SETSCREW 5/16"-18 X 1/2"
95B	PN02	HEX NUT 5/16"-18

REF	PART #	DESCRIPTION
99	PB32	HEX BOLT 5/16"-18 X 5/8"
104	P1023SL104	FLAT WASHER 3/16"
106	PW02	FLAT WASHER 3/8"
140	PB11	HEX BOLT 5/16"-18 X 1 1/2"
141	PW07	FLAT WASHER 5/16"
142	PLW01	LOCK WASHER 5/16"
143	PN02	HEX NUT 5/16"-18
144	PB03	HEX BOLT 5/16"-18 X 1"
145	PSS02	SETSCREW 5/16"-18 X 3/8"
154	P1023SL154	SWITCH PLATE BRACE
155	P1023SL155	MOTOR BRACE
211	P1023SL211	LOGO PLATE
212	P1023SL212	DISCONNECT PWR LABEL
213	P1023SL213	SAFETY GLASSES LABEL
214	P1023SL214	SELF TAPPING SCREW
216	P1023SL216	COMBO WRENCH 5/8"
217	P1023SL217	ARBOR WRENCH
218	P1023SL218	ELECTRICITY LABEL
219	P1023SL219	READ MANUAL LABEL
220	P1023SL220	ALLEN WRENCH 3MM
221	P1023SL221	ALLEN WRENCH 4MM
300	P1023SL300	BLADE GUARD ASSEMBLY
301	P1023SL301	USE GUARD LABEL
400	P1023400	COMPLETE MITER GAUGE
401	P1023401A	KNOB
402	P1023402	FLAT WASHER 1/4"
403	P1023403	MITER GAUGE BODY
404	P1023404A	MITER BAR
405	P1023405	SPECIAL WASHER
406	P1023406	FLAT HD SCREW
407	P1023407	HEX NUT
408	P1023408	SETSCREW
409	P1023409	SETSCREW
410	P1023410	STOP
411	P1023411	POINTER
412	P1023412	SCALE
413	P1023SL413	SETSCREW 10-24 X 5/8"
414	P1023SL414	ROLL PIN 1.5 X 13
415	P1023SL415	MITER HINGE PIN

# TROUBLESHOOTING GUIDE

SYMPTOM	POSSIBLE CAUSE	CORRECTIVE ACTION
Motor will not start.	<ol style="list-style-type: none"> <li>1. Low voltage.</li> <li>2. Open circuit in motor or loose connections.</li> </ol>	<ol style="list-style-type: none"> <li>1. Check power line for proper voltage.</li> <li>2. Inspect all lead connections on motor for loose or open connections.</li> </ol>
Motor will not start; fuses or circuit breakers blow.	<ol style="list-style-type: none"> <li>1. Short circuit in line cord or plug.</li> <li>2. Short circuit in motor or loose connections.</li> <li>3. Incorrect fuses or circuit breakers in power line.</li> </ol>	<ol style="list-style-type: none"> <li>1. Inspect cord or plug for damaged insulation and shorted wires.</li> <li>2. Inspect all connections on motor for loose or shorted terminals or worn insulation.</li> <li>3. Install correct fuses or circuit breakers.</li> </ol>
Motor overheats.	<ol style="list-style-type: none"> <li>1. Motor overloaded.</li> <li>2. Air circulation through the motor restricted.</li> </ol>	<ol style="list-style-type: none"> <li>1. Reduce load on motor.</li> <li>2. Clean out motor to provide normal air circulation.</li> </ol>
Motor stalls (resulting in blown fuses or tripped circuit).	<ol style="list-style-type: none"> <li>1. Short circuit in motor or loose connections.</li> <li>2. Low voltage.</li> <li>3. Incorrect fuses or circuit breakers in power line.</li> <li>4. Motor overloaded.</li> </ol>	<ol style="list-style-type: none"> <li>1. Inspect connections on motor for loose or shorted terminals or worn insulation.</li> <li>2. Correct the low voltage conditions.</li> <li>3. Install correct fuses or circuit breakers.</li> <li>4. Reduce load on motor.</li> </ol>
Machine slows when operating.	<ol style="list-style-type: none"> <li>1. Applying too much pressure to workpiece.</li> <li>2. Belts loose.</li> </ol>	<ol style="list-style-type: none"> <li>1. Feed workpiece slower.</li> <li>2. Tighten belts.</li> </ol>
Loud, repetitious noise coming from machine.	<ol style="list-style-type: none"> <li>1. Pulley setscrews or keys are missing or loose.</li> <li>2. Motor fan is hitting the cover.</li> <li>3. V-belts are defective</li> </ol>	<ol style="list-style-type: none"> <li>1. Inspect keys and setscrews. Replace or tighten if necessary.</li> <li>2. Tighten fan or shim cover.</li> <li>3. Replace V-belts. See <b>Maintenance</b>.</li> </ol>
Blade is not square w/miter slot or fence is not square to blade.	<ol style="list-style-type: none"> <li>1. Blade is warped.</li> <li>2. Table top is not parallel to blade.</li> <li>3. Fence is not parallel to blade.</li> </ol>	<ol style="list-style-type: none"> <li>1. Replace blade.</li> <li>2. Make table parallel to blade. See <b>Adjustments</b>.</li> <li>3. Make fence parallel to blade. See <b>Adjustments</b>.</li> </ol>
Fence hits table top when sliding on to the table.	<ol style="list-style-type: none"> <li>1. Front rail is bolted too low on table.</li> <li>2. Rear rail is bolted too low on the table.</li> </ol>	<ol style="list-style-type: none"> <li>1. Raise front rail.</li> <li>2. Raise rear rail.</li> </ol>
Blade does not reach 90°.	<ol style="list-style-type: none"> <li>1. 90° stop bolt is out of adjustment.</li> <li>2. Pointer bracket is hitting before the blade reaches 90°.</li> </ol>	<ol style="list-style-type: none"> <li>1. Adjust 90° stop bolt. See <b>Adjustments</b>.</li> <li>2. File down the right side of the pointer bracket until the blade can reach 90°.</li> </ol>
Blade hits insert at 45°.	<ol style="list-style-type: none"> <li>1. Hole in insert is inadequate.</li> <li>2. Table out of alignment.</li> <li>3. Blade position is incorrect.</li> </ol>	<ol style="list-style-type: none"> <li>1. File or mill the hole in the insert.</li> <li>2. Align table. See <b>Adjustments</b>.</li> <li>3. Adjust blade position. See <b>Adjustments</b>.</li> </ol>
Blade won't go beneath table surface.	Table top too low.	Raise table top w/washers.
Hand wheels won't turn.	<ol style="list-style-type: none"> <li>1. Hand wheel key is inserted too far.</li> <li>2. Bullets are wedged.</li> <li>3. Roll pin or setscrew in worm gear is contacting geared trunnion.</li> </ol>	<ol style="list-style-type: none"> <li>1. Remove hand wheel and adjust key.</li> <li>2. Remove hand wheel and adjust bullets.</li> <li>3. Inspect roll pins and setscrews in the worm gear. Tighten if necessary.</li> </ol>





PUSH STICK  
 MAKE FROM  $\frac{1}{2}$ " OR  $\frac{3}{4}$ "  
 WOOD OR THICKNESS  
 LESS THAN WIDTH OF  
 MAT'L TO BE CUT

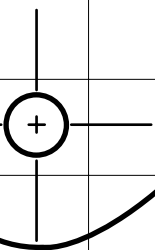
CAUTION  
 USE ONLY GOOD  
 STRONG WOOD OR  
 PLYWOOD

NOTCH TO HELP  
 PREVENT HAND  
 FROM SLIPPING

CUT HERE TO  
 PUSH  $\frac{1}{4}$ " WOOD

CUT HERE TO  
 PUSH  $\frac{1}{2}$ " WOOD

$\frac{1}{2}$ " GRID



# WARRANTY AND RETURNS

---

---

Grizzly Industrial, Inc. warrants every product it sells for a period of **1 year** to the original purchaser from the date of purchase. This warranty does not apply to defects due directly or indirectly to misuse, abuse, negligence, accidents, repairs or alterations or lack of maintenance. This is Grizzly's sole written warranty and any and all warranties that may be implied by law, including any merchantability or fitness, for any particular purpose, are hereby limited to the duration of this written warranty. We do not warrant or represent that the merchandise complies with the provisions of any law or acts unless the manufacturer so warrants. In no event shall Grizzly's liability under this warranty exceed the purchase price paid for the product and any legal actions brought against Grizzly shall be tried in the State of Washington, County of Whatcom.

We shall in no event be liable for death, injuries to persons or property or for incidental, contingent, special, or consequential damages arising from the use of our products.

To take advantage of this warranty, contact us by mail or phone and give us all the details. We will then issue you a "Return Number," which must be clearly posted on the outside as well as the inside of the carton. We will not accept any item back without this number. Proof of purchase must accompany the merchandise.

The manufacturers reserve the right to change specifications at any time because they constantly strive to achieve better quality equipment. We make every effort to ensure that our products meet high quality and durability standards and we hope you never need to use this warranty.

Please feel free to write or call us if you have any questions about the machine or the manual.

Thank you again for your business and continued support. We hope to serve you again soon.



# WARRANTY CARD

Name \_\_\_\_\_  
Street \_\_\_\_\_  
City \_\_\_\_\_ State \_\_\_\_\_ Zip \_\_\_\_\_  
Phone Number \_\_\_\_\_ E-Mail \_\_\_\_\_ FAX \_\_\_\_\_  
MODEL # \_\_\_\_\_ Serial # \_\_\_\_\_ Order # \_\_\_\_\_

The following information is given on a voluntary basis. It will be used for marketing purposes to help us develop better products and services. Of course, all information is strictly confidential.

- How did you learn about us?  
 Advertisement  Friend  
 Catalog  Card Deck  
 World Wide Web  
 Other \_\_\_\_\_
- Which of the following magazines do you subscribe to.  
 American Woodworker  Practical Homeowner  
 Cabinetmaker  Shop Notes  
 Family Handyman  Today's Homeowner  
 Fine Homebuilding  WOOD  
 Fine Woodworking  Wooden Boat  
 Home Handyman  Woodshop News  
 Journal of Light Construction  Woodsmith  
 Old House Journal  Woodwork  
 Popular Mechanics  Woodworker  
 Popular Science  Woodworker's Journal  
 Popular Woodworking  Workbench  
 Other \_\_\_\_\_
- Which of the following woodworking/remodeling shows do you watch?  
 Backyard America  The New Yankee Workshop  
 Home Time  This Old House  
 The American Woodworker  Woodwright's Shop  
 Other \_\_\_\_\_
- What is your annual household income?  
 \$20,000-\$29,999  \$60,000-\$69,999  
 \$30,000-\$39,999  \$70,000-\$79,999  
 \$40,000-\$49,999  \$80,000-\$89,999  
 \$50,000-\$59,999  \$90,000 +
- What is your age group?  
 20-29  50-59  
 30-39  60-69  
 40-49  70 +
- How long have you been a woodworker?  
 0 - 2 Years  8 - 20 Years  
 2 - 8 Years  20+ Years
- How would you rank your woodworking skills?  
 Simple  Advanced  
 Intermediate  Master Craftsman
- What stationary woodworking tools do you own? Check all that apply.  
 Air Compressor  Panel Saw  
 Band Saw  Planer  
 Drill Press  Power Feeder  
 Drum Sander  Radial Arm Saw  
 Dust Collector  Shaper  
 Horizontal Boring Machine  Spindle Sander  
 Jointer  Table Saw  
 Lathe  Vacuum Veneer Press  
 Mortiser  Wide Belt Sander  
 Other \_\_\_\_\_
- How many of your woodworking machines are Grizzly? \_\_\_\_\_
- Which benchtop tools do you own? Check all that apply.  
 1" x 42" Belt Sander  6" - 8" Grinder  
 5" - 8" Drill Press  Mini Lathe  
 8" Table Saw  10" - 12" Thickness Planer  
 8" - 10" Bandsaw  Scroll Saw  
 Disc/Belt Sander  Spindle/Belt Sander  
 Mini Jointer  
 Other \_\_\_\_\_
- How many of the machines checked above are Grizzly? \_\_\_\_\_
- Which portable/hand held power tools do you own? Check all that apply.  
 Belt Sander  Orbital Sander  
 Biscuit Joiner  Palm Sander  
 Circular Saw  Portable Planer  
 Detail Sander  Saber Saw  
 Drill/Driver  Reciprocating Saw  
 Miter Saw  Router  
 Other \_\_\_\_\_
- What machines/supplies would you like Grizzly Industrial to carry?  
\_\_\_\_\_  
\_\_\_\_\_
- What new accessories would you like Grizzly Industrial to carry?  
\_\_\_\_\_  
\_\_\_\_\_
- What other companies do you purchase your tools and supplies from?  
\_\_\_\_\_  
\_\_\_\_\_
- Do you think your purchase represents good value?  
 Yes  No
- Would you recommend Grizzly Industrial to a friend?  
 Yes  No
- Would you allow us to use your name as a reference for Grizzly customers in your area? **Note: We never use names more than three times.**  
 Yes  No
- Comments: \_\_\_\_\_  
\_\_\_\_\_  
\_\_\_\_\_  
\_\_\_\_\_

CUT ALONG DOTTED LINE

FOLD ALONG DOTTED LINE

\_\_\_\_\_

\_\_\_\_\_

\_\_\_\_\_



Place  
Stamp  
Here



**GRIZZLY INDUSTRIAL, INC.**  
**P.O. BOX 2069**  
**BELLINGHAM, WA 98227-2069**



FOLD ALONG DOTTED LINE

Send a Grizzly Catalog to a friend:

Name \_\_\_\_\_

Street \_\_\_\_\_

City \_\_\_\_\_ State \_\_\_\_\_ Zip \_\_\_\_\_

TAPE ALONG EDGES--PLEASE DO NOT STAPLE

## Free Manuals Download Website

<http://myh66.com>

<http://usermanuals.us>

<http://www.somanuals.com>

<http://www.4manuals.cc>

<http://www.manual-lib.com>

<http://www.404manual.com>

<http://www.luxmanual.com>

<http://aubethermostatmanual.com>

Golf course search by state

<http://golfingnear.com>

Email search by domain

<http://emailbydomain.com>

Auto manuals search

<http://auto.somanuals.com>

TV manuals search

<http://tv.somanuals.com>