

Grizzly

Industrial, Inc. ®

10" TABLE SAW

MODEL G1022SM, G1022Z, G1022ZF, G1022ZFX, G1022PRO

INSTRUCTION MANUAL



COPYRIGHT © MARCH, 2002 BY GRIZZLY INDUSTRIAL, INC.

WARNING: NO PORTION OF THIS MANUAL MAY BE REPRODUCED IN ANY SHAPE OR FORM WITHOUT THE WRITTEN APPROVAL OF GRIZZLY INDUSTRIAL, INC. PRINTED IN TAIWAN.

DISCONTINUED MACHINE MANUAL DISCLAIMER

THE INFORMATION IN THIS MANUAL REPRESENTS THE LAST CONFIGURATION OF THE MACHINE BEFORE IT WAS DISCONTINUED. MACHINE CONFIGURATIONS MAY HAVE CHANGED AS PRODUCT IMPROVEMENTS WERE INCORPORATED. IF YOU OWN AN EARLIER VERSION OF THE MACHINE, THIS MANUAL MAY NOT EXACTLY DEPICT YOUR MACHINE. CONTACT CUSTOMER SERVICE IF YOU HAVE ANY QUESTIONS ABOUT DIFFERENCES. PREVIOUS VERSIONS ARE NOT AVAILABLE ONLINE.

WARNING

Some dust created by power sanding, sawing, grinding, drilling, and other construction activities contains chemicals known to the State of California to cause cancer, birth defects or other reproductive harm. Some examples of these chemicals are:

- Lead from lead-based paints.
- Crystalline silica from bricks, cement, and other masonry products.
- Arsenic and chromium from chemically treated lumber.

Your risk from these exposures varies, depending on how often you do this type of work. To reduce your exposure to these chemicals: work in a well ventilated area, and work with approved safety equipment, such as those dust masks that are specially designed to filter out microscopic particles.

Table Of Contents

PAGE

1. SAFETY	
SAFETY RULES FOR ALL TOOLS.....	2-3
ADDITIONAL SAFETY INSTRUCTIONS FOR TABLE SAWS	4-7
2. CIRCUIT REQUIREMENTS	
110V OPERATION	8
220V OPERATION	9
GROUNDING	10
EXTENSION CORDS	10
3. GENERAL INFORMATION	
COMMENTARY	11-12
UNPACKING	13
PIECE INVENTORY	13
HARDWARE BAG CONTENTS	14
HARDWARE RECOGNITION CHART	15
CLEAN UP	16
SITE CONSIDERATIONS	16
4. ASSEMBLY	
BEGINNING ASSEMBLY	17
STAND	17-18
HANDWHEELS	19
MOTOR	19-21
WIRING	21
EXTENSION WINGS	22
FENCE RAILS	22-23
FENCE	23
BLADE.....	23
BLADE GUARD	24-25
TABLE INSERT	26
5. ADJUSTMENTS	
G1022SM FENCE	27-29
G1022Z FENCE	29-30
BLADE PARALLELISM	31-32
45° & 90° POSITIVE STOPS	33
WORM GEAR	34
MITER GAUGE	34
6. OPERATIONS	
PRE-RUN CHECK	35
TEST RUN	35-36
BLADE SELECTION	36-37
CROSSCUTTING	37-38
RIPPING	38
DADO OPERATIONS	39-40
RABBET OPERATIONS	40-41
7. MAINTENANCE	
GENERAL	42
LUBRICATION	42
TABLE	42
V-BELT	42
WIRING DIAGRAMS	43-44
8. CLOSURE	45
G1022SM MACHINE DATA	46
G1022SM PART BREAKDOWNS AND PART LIST	47-51
G1022Z MACHINE DATA	52
G1022Z PART BREAKDOWNS AND PART LIST	53-57
G1022ZF/ZFX/PRO MACHINE DATA	58
G1022ZF/ZFX/PRO PART BREAKDOWNS AND PART LIST	59-63
TROUBLESHOOTING GUIDE	64
PUSH STICK.....	65
WARRANTY.....	67-69

SECTION 1: SAFETY

WARNING

For Your Own Safety Read Instruction Manual Before Operating This Equipment

The purpose of safety symbols is to attract your attention to possible hazardous conditions. This manual uses a series of symbols and signal words which are intended to convey the level of importance of the safety messages. The progression of symbols is described below. Remember that safety messages by themselves do not eliminate danger and are not a substitute for proper accident prevention measures.



Indicates an imminently hazardous situation which, if not avoided, **WILL** result in death or serious injury.



Indicates a potentially hazardous situation which, if not avoided, **COULD** result in death or serious injury.



Indicates a potentially hazardous situation which, if not avoided, **MAY** result in minor or moderate injury. It may also be used to alert against unsafe practices.

NOTICE

This symbol is used to alert the user to useful information about proper operation of the equipment.

WARNING

Safety Instructions For Power Tools

- KEEP GUARDS IN PLACE** and in working order.
- REMOVE ADJUSTING KEYS AND WRENCHES.** Form habit of checking to see that keys and adjusting wrenches are removed from tool before turning on.
- KEEP WORK AREA CLEAN.** Cluttered areas and benches invite accidents.
- DO NOT USE IN DANGEROUS ENVIRONMENT.** Do not use power tools in damp or wet locations, or where any flammable or noxious fumes may exist. Keep work area well lighted.
- KEEP CHILDREN AND VISITORS AWAY.** All children and visitors should be kept a safe distance from work area.
- MAKE WORKSHOP CHILD PROOF** with padlocks, master switches, or by removing starter keys.
- DO NOT FORCE TOOL.** It will do the job better and safer at the rate for which it was designed.
- USE RIGHT TOOL.** Do not force tool or attachment to do a job for which it was not designed.

WARNING

Safety Instructions For Power Tools

- 9. USE PROPER EXTENSION CORD.** Make sure your extension cord is in good condition. Conductor size should be in accordance with the chart below. The amperage rating should be listed on the motor or tool nameplate. An undersized cord will cause a drop in line voltage resulting in loss of power and overheating. Your extension cord must also contain a ground wire and plug pin. Always repair or replace extension cords if they become damaged.

Minimum Gauge for Extension Cords

AMP RATING	LENGTH		
	25ft	50ft	100ft
0-6	18	16	16
7-10	18	16	14
11-12	16	16	14
13-16	14	12	12
17-20	12	12	10
21-30	10	10	No

- 10. WEAR PROPER APPAREL.** Do not wear loose clothing, gloves, neckties, rings, bracelets, or other jewelry which may get caught in moving parts. Non-slip footwear is recommended. Wear protective hair covering to contain long hair.
- 11. ALWAYS USE SAFETY GLASSES.** Also use face or dust mask if cutting operation is dusty. Everyday eyeglasses only have impact resistant lenses, they are NOT safety glasses.
- 12. SECURE WORK.** Use clamps or a vise to hold work when practical. It's safer than using your hand and frees both hands to operate tool.
- 13. DO NOT OVER-REACH.** Keep proper footing and balance at all times.
- 14. MAINTAIN TOOLS WITH CARE.** Keep tools sharp and clean for best and safest performance. Follow instructions for lubricating and changing accessories.
- 15. USE RECOMMENDED ACCESSORIES.** Consult the owner's manual for recommended accessories. The use of improper accessories may cause risk of injury.
- 16. REDUCE THE RISK OF UNINTENTIONAL STARTING.** On machines with magnetic contact starting switches there is a risk of starting if the machine is bumped or jarred. Always disconnect from power source before adjusting or servicing. Make sure switch is in OFF position before reconnecting.
- 17. MANY WOODWORKING TOOLS CAN "KICKBACK" THE WORKPIECE** toward the operator if not handled properly. Know what conditions can create "kickback" and know how to avoid them.
- 18. CHECK DAMAGED PARTS.** Before further use of the tool, a guard or other part that is damaged should be carefully checked to determine that it will operate properly and perform its intended function. Check for alignment of moving parts, binding of moving parts, breakage of parts, mounting, and any other conditions that may affect its operation. A guard or other part that is damaged should be properly repaired or replaced.
- 19. NEVER LEAVE TOOL RUNNING UNATTENDED. TURN POWER OFF.** Do not leave tool until it comes to a complete stop.
- 20. NEVER OPERATE A MACHINE WHEN TIRED, OR UNDER THE INFLUENCE OF DRUGS OR ALCOHOL.** Full mental alertness is required at all times when running a machine.
- 21. NEVER ALLOW UNSUPERVISED OR INEXPERIENCED PERSONNEL TO OPERATE THE MACHINE.** Make sure any instructions you give in regards to machine operation are approved, correct, safe, and clearly understood.
- 22. IF AT ANY TIME YOU ARE EXPERIENCING DIFFICULTIES** performing the intended operation, stop using the machine! Then contact our service department or ask a qualified expert how the operation should be performed.

WARNING

Additional Safety Instructions For Table Saws

1. **ALWAYS** use blade guard, splitter and anti-kickback fingers on all "through-sawing" operations. Through-sawing operations are those when the blade cuts completely through the workpiece as in ripping or crosscutting.
2. **AVOID KICKBACKS.** A condition in which a piece of wood is thrown back towards an operator at a high rate of speed. If you do not have a complete understanding of how kickback occurs, or how to prevent it, **DO NOT** operate this table saw.
3. **NEVER** reach behind or over the blade with either hand for any reason.
4. **ALWAYS** use a push stick for ripping narrow stock.
5. **NEVER** perform any operation "free-hand," which means using only your hands to support or guide the workpiece. Always use either the fence or the miter gauge to position and guide the work.
6. **NEVER** stand or have any part of your body in line with the path of the saw blade.
7. **ALWAYS** hold the work firmly against the miter gauge or fence and hold the work firmly against the table.
8. **MOVE** the rip fence out of the way when crosscutting.
9. **NEVER** use the miter gauge and rip fence at the same time.
10. **NEVER** attempt to free a stalled saw blade without first turning the saw OFF.
11. **PROVIDE** adequate support to the rear and sides of the saw table for wide or long workpieces.
12. **AVOID** awkward operations and hand positions where a sudden slip could cause your hand to move into the blade.
13. **IF AT ANY TIME YOU ARE EXPERIENCING DIFFICULTIES** performing the intended operation, stop using the machine! Then contact our service department or ask a qualified expert how the operation should be performed.
14. **ALWAYS LOWER OR REMOVE SAW BLADE WHEN NOT IN USE.**
15. **NEVER USE A DAMAGED SAW BLADE OR ONE THAT HAS BEEN DROPPED.**
16. **USE GREAT CARE WHEN CUTTING WITH A DADO BLADE.** There is a high degree of risk involved with any dado operation. Slight movement of the stock away from the fence will cause kickback.

CAUTION

No list of safety guidelines can be complete. Every shop environment is different. Always consider safety first, as it applies to your individual working conditions. Use this and other machinery with caution and respect. Failure to follow guidelines could result in serious personal injury, damage to equipment or poor work results.

⚠️ WARNING

Statistics prove that most common accidents among table saw users can be linked to kickback. Kickback is typically defined as the high-speed expulsion of stock from the table saw toward its operator. In addition to the danger of the operator or others in the area being struck by the flying stock, it is often the case that the operator's hands are forced into the blade during the kickback. The following can help minimize kickbacks.

1. Use your blade guard and splitter.
2. Never for any reason place your hand behind the blade. Should kickback occur, your hand will be pulled into the blade.
3. Inspect splitter for alignment between it and your blade.
4. Never use the fence as a guide for cross-cutting.
5. Never attempt freehand cuts.
6. Use a push stick or featherboard to maintain control of your workpiece.
7. Feed cuts through to completion.
8. Stand to the side when ripping.
9. Ensure your fence and miter slot are parallel to the blade.

If you do not have a clear understanding of kickback and how it occurs, do not operate this table saw.

Safety Accessories

Push Sticks

The use of push sticks, particularly when cutting small or narrow workpieces, provides a double benefit for saw operators. The push stick provides added leverage, enabling the operator to keep the workpiece firmly supported against the fence and table. At the same time, the push stick keeps the operator's hand safely away from the rotation of the saw blade as shown in **Figure 1**. See the template on **Page 62** of the manual for construction details, or purchase one from the Grizzly catalog.

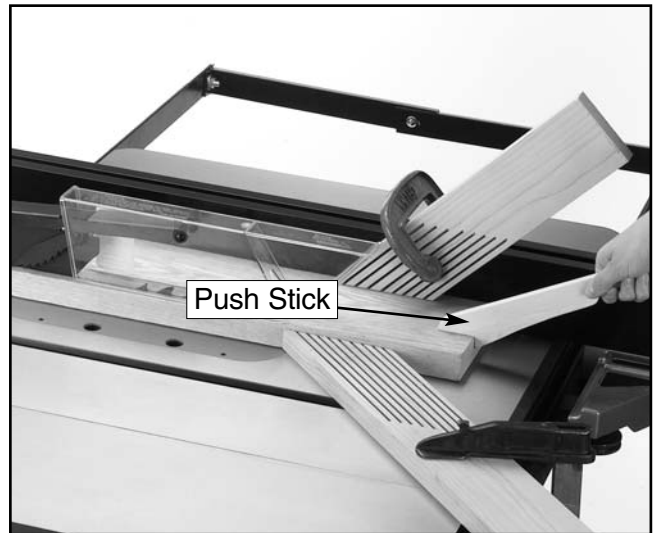


Figure 1. Push Stick.

Zero Clearance Table Inserts

Ideal for use when ripping thin strips or making bevel cuts, these prevent tearout and jammed blades by supporting material close to the blade. Use the standard table insert as a template when creating additional inserts from wood or plywood. Blade slot inserts can be custom cut for specific blade angles by raising the running blade into an uncut insert at the angle you desire. Be sure to make an additional slot for the blade splitter. We also carry a wide selection of table inserts shown in **Figure 2** in the Grizzly catalog. Be sure to hold the insert firmly in place with a piece of wood when creating slots. Never hold the table insert with your hand while cutting new slots.

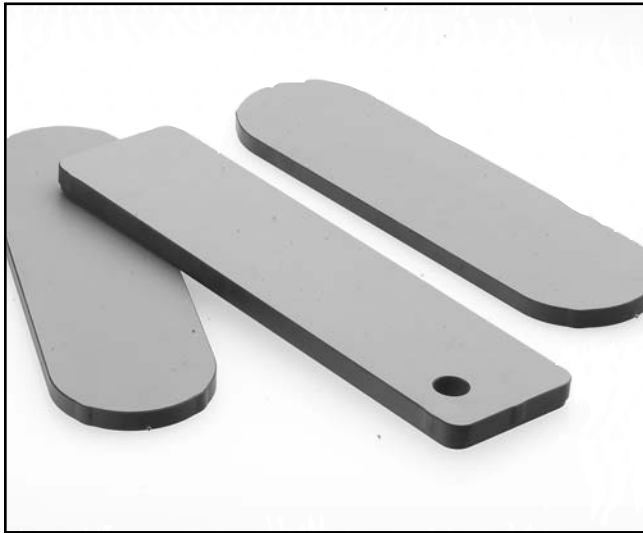


Figure 2. Zero Clearance Table Inserts.

Push Paddles

Push paddles provide added leverage and support when ripping or crosscutting wide workpieces as shown in **Figure 3**. We offer a number of push paddles in the Grizzly catalog.

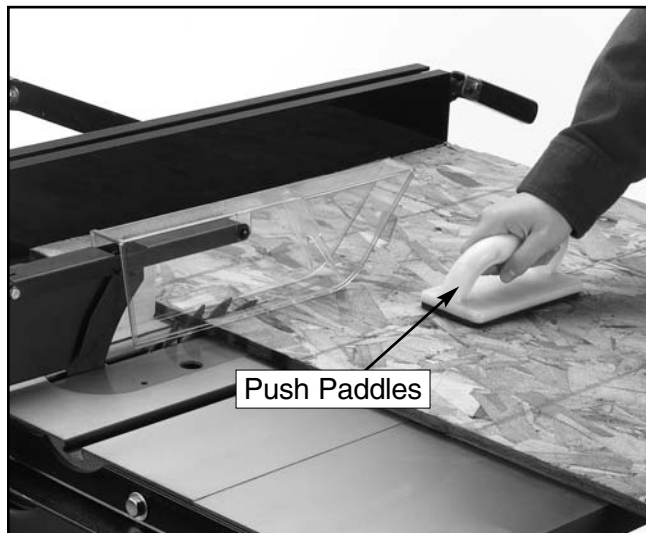


Figure 3. Push Paddles.

Featherboards

Easily made from scrap stock, featherboards provide an added degree of protection against kickback as shown in **Figure 4**. To make a featherboard, cut a 30-40° angle at one end of the board and make a number of end cuts at approximately 1/4" apart and 2" to 3" deep. We also offer a number of featherboards in the Grizzly catalog.

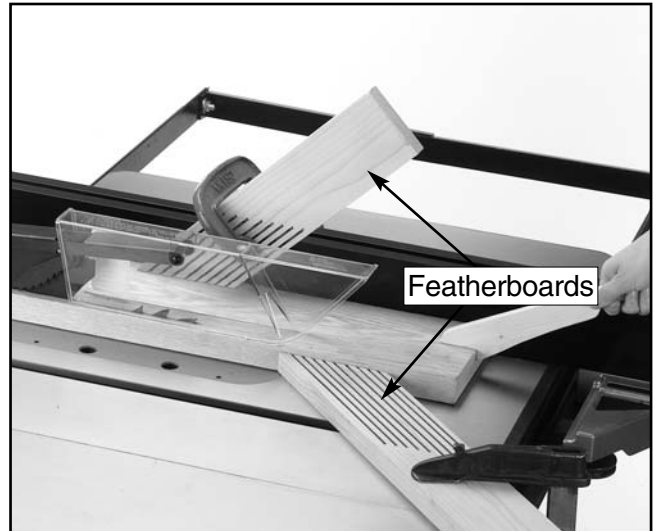


Figure 4. Featherboards.



Common Definitions, Terms and Phrases

The following is a list of common definitions, terms and phrases used throughout this manual as they relate to this table saw and woodworking in general. It is important that you read and become familiar with them before assembling, adjusting or operating this machine. Your safety is **VERY** important to us at Grizzly!

Arbor: Metal shaft extending from the drive mechanism, to which the cutting blade is attached.

Bevel Edge Cut: Tilting the saw arbor and blade to an angle between 0° and 45° to perform an angled cutting operation.

Blade Guard: Metal or plastic mechanism that mounts over the saw blade to prevent accidental contact with the cutting edge.

Crosscut: Table saw operation in which the miter gauge is used to cut across the grain of a piece of wood.

Dado Blade: Blade or set of blades that attach to the arbor and are used for cutting grooves and rabbets.

Dado Cut: Table saw operation that uses a dado blade to cut a flat bottomed groove into the face of wood stock.

Featherboard: Safety device used to keep a board against the rip fence or table. Allows operator to keep hands away from the saw blade.

Kerf: The resulting cut or gap made by a saw blade.

Kickback: A condition in which the wood is thrown back towards an operator at a high rate of speed.

Miter Gauge: A component that controls the wood stock movement while performing a crosscut. Allows for variation of angle cuts such as miter cuts used on a picture frame.

Moulding Head: A cutterhead attached to the arbor. Accepts interchangeable moulding knives for profile cutting. We **DO NOT** recommend the use of a moulding head as they require advanced skills in their operation.

Parallel: Being an equal distance apart at every point. i.e. the rip fence face is parallel to the side face of the saw blade.

Non-Thru Cut: A sawing operation that requires the removal of the blade guard and splitter. Dado and rabbet cuts are considered Non-Thru Cuts because the blade does not protrude above the top face of the wood stock. Always remember to reinstall the blade guard and splitter after performing a non-thru cut.

Perpendicular: Intersecting and forming right angles; at right angles to the vertical and horizontal planes. i.e. the blade is perpendicular to the table surface.

Push Paddle: Safety aid used to push a piece of wood stock through a cutting operation.

Push Stick: Safety aid used to push a piece of wood stock through a cutting operation. Usually used when rip cutting.

Rabbet: Cutting operation that creates an L-shaped channel along the edge of wood stock.

Splitter: Metal plate attached to the back of the blade guard that maintains the kerf opening in the wood when performing a cutting operation.

Standard Kerf: 1/8" gap made with a standard blade.

Straightedge: A tool used to check the flatness, parallelness, or consistency of a surface(s).

Thru-Sawing: A sawing operation where the wood stock thickness is completely sawn through. Proper blade height usually allows 1/4" of the top of the blade to extend above the wood stock.

Thin Kerf: 3/32" gap made with a thin kerf blade.

Rip Cut: A cut made along grain of the wood.

Sacrificial Fence: A piece of wood attached to the face of the rip fence that is designed to extend the fence face away from the metal portion of the fence. Used primarily when making rabbet cuts with a dado blade.

SECTION 2: CIRCUIT REQUIREMENTS

110V Operation

The Model G1022SM, Z and ZF motors are prewired to operate at 110V. See **Figure 5** for a typical 110V installation.

G1022SM and G1022Z:

Under normal 110V use, the Models G1022SM and Z motors draw approximately 16 amps. We recommend a 20 amp circuit breaker or a 20 amp slow-blow fuse.

G1022ZF:

Under normal 110V use, the Model G1022ZF motor draws approximately 17 amps. We recommend a 20 amp circuit breaker or a 20 amp slow-blow fuse.

The circuit you use should be dedicated, (i.e., the machine should provide the only draw from that circuit). If frequent circuit failures occur when using this machine, contact our Service Department or your local electrical contractor.

Because of the high amperage draw of the Model G1022 Series when wired for 110V, standard household circuit wiring may not be of a large enough gauge. A qualified electrician may need to install a new circuit with wires capable of handling a 20 amperage draw. Do not attempt to modify an existing circuit by replacing the circuit breaker with one rated for a higher amperage.

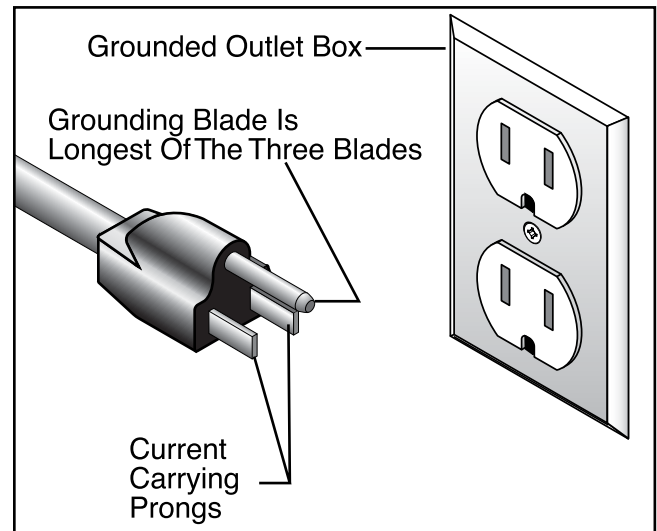


Figure 5. Typical 110V 3-prong plug and outlet.



220V Operation

G1022ZFX and G1022PRO:

The motors supplied with the Models G1022ZFX and G1022PRO are prewired to operate at 220V.

The Models G1022ZFX and G1022PRO are not supplied with a plug; therefore, a suitable 220V plug must be wired in. When operating at 220V, we recommend using a NEMA-style 6-15 plug and outlet as shown in **Figure 6A**. You may also “hard-wire” the machine directly to your panel, provided you place a disconnect switch near the machine. Check the electrical codes in your area for specifics on wiring requirements.

Under normal use, the motor draws approximately 13 amps at 220V. We recommend a 15 amp circuit breaker for 220V operation. This should be satisfactory for normal use while providing enough protection against circuit damage caused by power surges. Always check to see if your current wires are capable of handling a 15 amp load. If you are unsure, consult the advice of a qualified electrician. Do not attempt to modify an existing circuit by replacing the circuit breaker with one rated for a higher amperage.

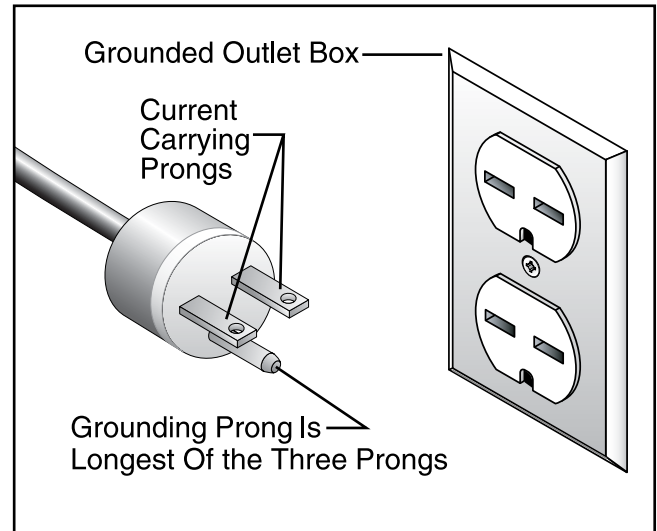


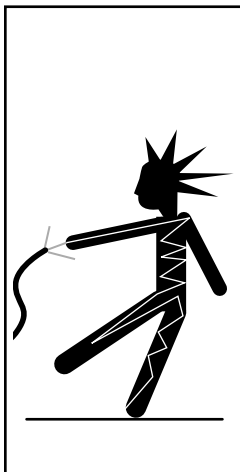
Figure 6A. Typical 220V 3-prong plug and outlet.



Grounding

In the event of an electrical short, grounding provides electric current a path of least resistance to reduce the risk of electrical shock. This tool is equipped with an electric cord having an equipment-grounding conductor which must be properly connected to a grounding plug. The plug must be plugged into a matching outlet that is properly installed and grounded in accordance with all local codes and ordinances.

Improper connections of the electrical-grounding conductor can result in risk of electric shock. The conductor with green or green and yellow striped insulation is the electrical-grounding conductor. If repair or replacement of the electric cord or plug is necessary, do not connect the equipment grounding conductor to a live terminal.

	<p>⚠ WARNING</p> <p>This equipment must be grounded. Verify that any existing electrical outlet and circuit you intend to plug into is actually grounded. Under no circumstances should the grounding pin from any three-pronged plug be removed. Serious injury may occur.</p>
--	--



Extension Cords

We do not recommend the use of extension cords with 220V equipment. It is much better to arrange the placement of your equipment and the installed wiring to eliminate the need for extension cords. Should it be necessary to use an extension, make sure the cord is rated Hard Service (grade S) or better. Refer to the chart in **Section 1: Safety Instructions** to determine the minimum gauge for the extension cord when using either 110V or 220V. The extension cord must also contain a ground wire and plug pin. Always repair or replace extension cords when they become worn or damaged.



<p>⚠ CAUTION</p> <p>We have covered some basic electrical requirements for the safe operation of your machine. These requirements are not necessarily comprehensive. You must be sure that your particular electrical configuration complies with local and state codes. Ensure compliance by checking with your local municipality or a licensed electrician.</p>

SECTION 3: INTRODUCTION

Item	G1022SM	G1022Z	G1022ZF	G1022ZFX	G1022PRO
Extension Wings	Sheet Metal	Cast Iron	Cast Iron	Cast Iron	Cast Iron
Rip Fence	Standard	T-Slot Fence	Shop Fox®	Shop Fox®	Shop Fox® Classic
Miter Gauge	Standard	Standard Orange	Adjustable Slot	Adjustable Slot	Adjustable Slot
Motor	1.5 H.P.-110/220V	1.5 H.P.-110/220V	1.5 H.P.-110/220V	2 H.P.-110/220V	2H.P.-110/220V
Pre-Wired	110V	110V	110V	220V	220V
Switch	Body Mounted	Body Mounted	Rail Mounted	Rail Mounted	Rail Mounted
Weight	220 lbs	250 lbs	290 lbs	290 lbs	340 lbs
Dust Port	-	-	4" Port	4" Port	4" Port

Commentary

We are proud to offer the Model G1022 Series Table Saws. The Model G1022 Series is part of a growing Grizzly family of fine woodworking machinery. When used according to the guidelines set forth in this manual, you can expect years of trouble-free, enjoyable operation and proof of Grizzly's commitment to customer satisfaction.

The Model G1022 Series comes in 5 different versions. The differences are listed on the chart at the beginning of this manual. The SM, Z, ZF, ZFX and PRO are all 10" heavy-duty table saws designed for a wide variety of cutting applications. They feature ball bearing arbors on a worm gear mechanism, precision-ground cast iron tables (except the Model G1022SM), sturdy steel stands, standard and dado inserts and a miter gauge.

We also offer many accessories for the table saws including blades, extension rails, outfeed rollers and a mobile base. Please refer to our current catalog for prices and ordering information.

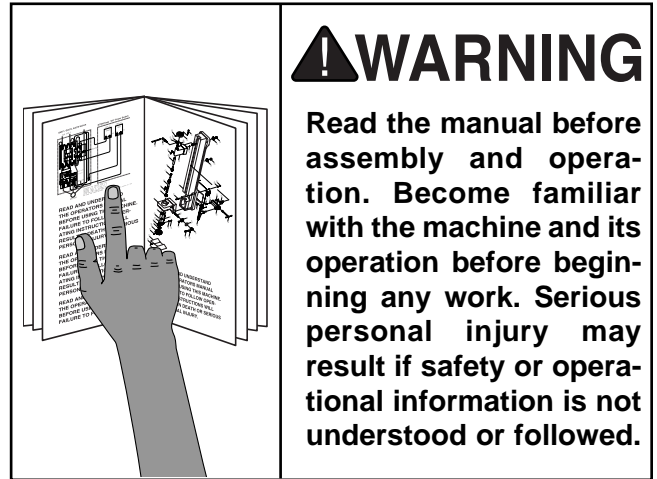
We are also pleased to provide this manual with the Model G1022 Series. It was written to guide you through assembly, review safety considerations, and cover general operating procedures. It represents our effort to produce the best documentation possible. If you have any comments regarding this manual, please write to us at the address below:

Grizzly Industrial, Inc.
 c/o Technical Documentation
 P.O. Box 2069
 Bellingham, WA 98227-2069

Most importantly, we stand behind our machines. If you have any service questions or parts requests, please call or write us at the location listed below:

Grizzly Industrial, Inc.
1203 Lycoming Mall Circle
Muncy, PA 17756
Phone: (570) 546-9663
Fax: (800) 438-5901
E-Mail: techsupport@grizzly.com
Web Site: <http://www.grizzly.com>

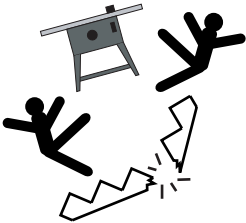
The specifications, drawings, and photographs illustrated in this manual represent the Model G1022 Series as supplied when the manual was prepared. However, owing to Grizzly's policy of continuous improvement, changes may be made at any time with no obligation on the part of Grizzly. Whenever possible, though, we send manual updates to all owners of a particular tool or machine. Should you receive one, we urge you to insert the new information with the old and keep it for reference.




Unpacking

The Model G1022 Series is shipped from the manufacturer in a carefully packed carton. If you discover the machine is damaged after you have signed for delivery, immediately call Customer Service for advice.


When you are completely satisfied with the condition of your shipment, you should inventory its parts.



! WARNING
If moving this machine up or down stairs, the machine must be dismantled and moved in smaller pieces. Make sure floor and stair structures are capable of supporting the combined weight of the machine parts and the people moving them.



! CAUTION
The Model G1022 Series represents a heavy load. Seek assistance before beginning assembly.



! CAUTION
Some metal parts may have sharp edges on them after they are formed. Please examine the edges of all metal parts before handling them. Failure to do so could result in injury.



Piece Inventory

After all the parts have been removed from the carton, you should have:

1. Stand Components
2. Extension Wings (2)
3. V-Belt
4. Motor with Pulley
5. Motor Bracket
6. Motor Mount Plate
7. Table Saw Unit
8. Handwheels (2)
9. Arbor Wrench
10. Dado Insert
11. Standard Insert
12. Miter Gauge
14. Blade Guard
15. Blade Guard Bracket
16. Hardware Bags (5)
17. V-Belt Guard and Mounting Hardware
18. V-Belt Guard Bracket
19. Fence Unit (Separate Box W/ZF, ZFX and Pro)
20. Fence Rails (Separate Box)

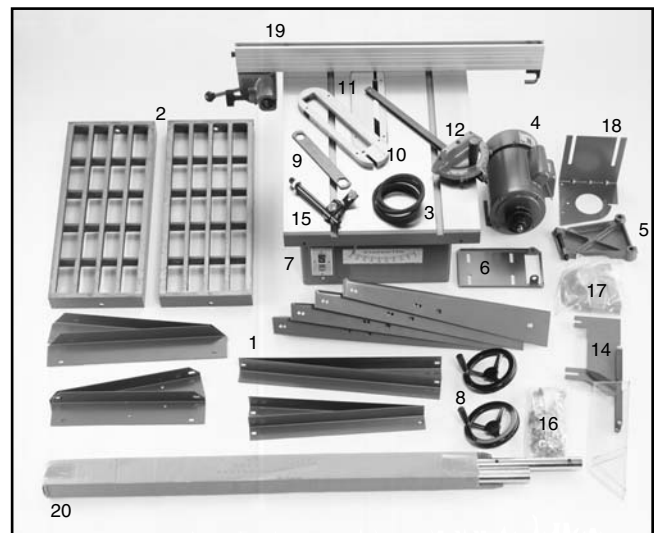


Figure 6B. (G1022 Layout) Rip fence, rails and extension wings will vary depending on model.

Hardware Contents

Guide Rail & Extension Wing Hardware Bag

Qty	Description
8	Special Rail Bolt (SM & Z)
8	Fence Rail Spacer (SM & Z)
4	Flat Washer M10 (SM & Z)
4	Hex Nut M10-1.5 (SM & Z)
4	Fence Rail Plug (SM & Z)
6	Flat Washer M10 x M4 Thick
6	Hex Bolt M10-1.5 x 25
2	Hand Wheel Knob

Floor Stand Hardware Bag

Qty	Description
40	Carriage Bolt M8-1.25 x 16
4	Hex Bolt M8-1.25 x 19
48	Flat Washer M8
44	Hex Nut M8-1.25
4	Hex Bolt M10-1.5 x 20
4	Hex Nut M10-1.5
4	Flat Washer M10
4	Plastic Foot
4	Hex Bolt #10-24 x $\frac{3}{8}$ " (ZX, ZFX, PRO)
4	Hex Nut #10-24 (ZX, ZFX, PRO)
4	Lock Washer #10 (ZX, ZFX, PRO)

Plastic Belt Guard Hardware Bag

Qty	Description
1	Hex Bolt $\frac{1}{4}$ "-20 x 2"
1	Flat Washer $\frac{1}{4}$ "
1	Sleeve
1	Wing Nut $\frac{1}{4}$ "-20
1	Plastic Belt Guard

Motor Mount Hardware Bag

Qty	Description
4	Hex Bolt M8-1.25 x 25
8	Flat Washer M8
4	Hex Nut M8-1.25

In the event that any nonproprietary parts are missing (e.g. a nut or a washer), we would be glad to replace them, or for the sake of expediency, replacements can be obtained at your local hardware store.

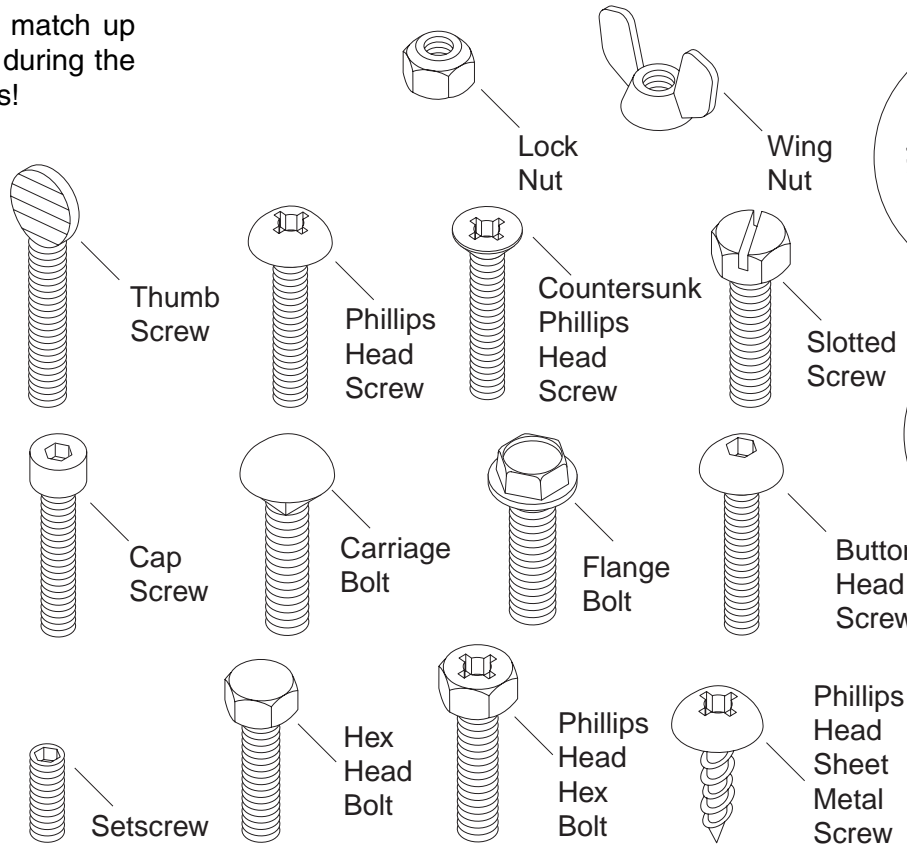


Hardware Recognition Chart

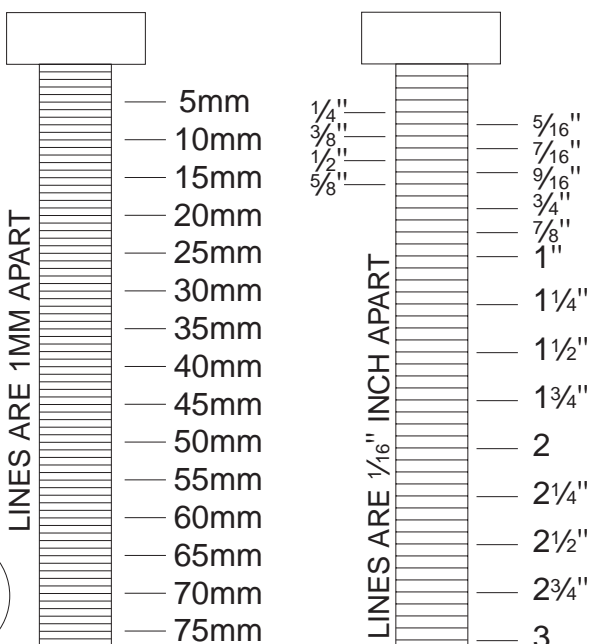
Use this chart to match up hardware pieces during the assembly process!

MEASURE BOLT DIAMETER BY PLACING INSIDE CIRCLE

- #10
- 1/4"
- 5/16"
- 3/8"
- 7/16"
- 1/2"
- 5/8"




- 4mm
- 6mm
- 8mm
- 10mm
- 12mm
- 16mm




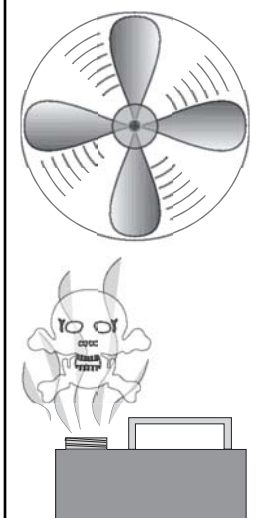
WASHERS ARE MEASURED BY THE INSIDE DIAMETER

Clean Up

The unpainted surfaces are coated with a waxy oil to protect them from corrosion during shipment. Remove this protective coating with a solvent cleaner or citrus-based degreaser such as Grizzly's G7895 Degreaser. Avoid chlorine-based solvents as they may damage painted surfaces should they come in contact. Always follow the usage instructions on the product you choose for clean up.

	<p>⚠ WARNING Do not use gasoline or other petroleum-based solvents. They have low flash points which make them extremely flammable. A risk of explosion and burning exists if these products are used. Serious personal injury may occur if this warning is ignored.</p>
---	---

	<p>⚠ WARNING Do not smoke while using solvents. A risk of explosion or fire exists and may result in serious personal injury.</p>
---	--

	<p>⚠ CAUTION Many of the solvents commonly used to clean machinery can be toxic when inhaled or ingested. Always work in well-ventilated areas far from potential ignition sources when dealing with solvents. Use care when disposing of waste rags and towels to be sure they do not create fire or environmental hazards.</p>
---	---



Site Considerations

FLOOR LOAD

Your Model G1022 Series represents a medium load in a small footprint. Most commercial or home shop floors should be sufficient to carry the weight of the Model G1022 Series. If you question the strength of your floor, you can opt to reinforce it.

WORKING CLEARANCES

Working clearances can be thought of as the distances between machines and obstacles that allow safe operation of every machine without limitation. Consider existing and anticipated machine needs, size of material to be processed through each machine, and space for auxiliary stands and/or work tables. Also, consider the relative position of each machine to one another for efficient material handling. Be sure to allow yourself sufficient room to safely run your machines in any foreseeable operation and keep dust collection hoses off the floor and out of the way.

LIGHTING AND OUTLETS

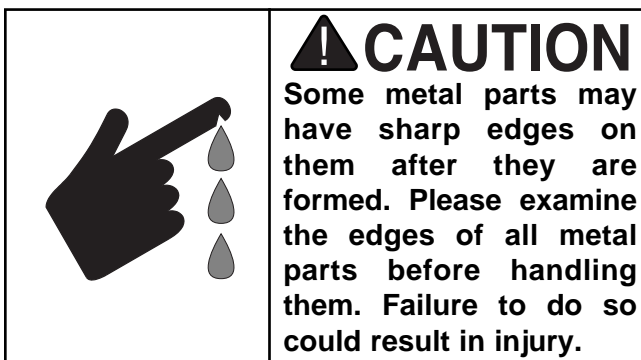
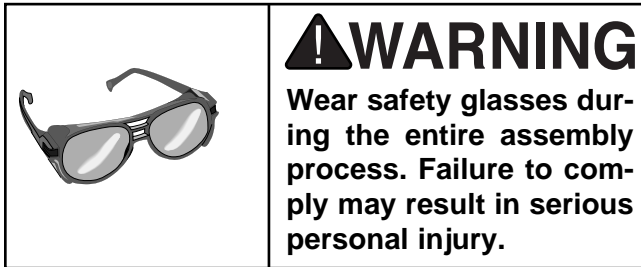
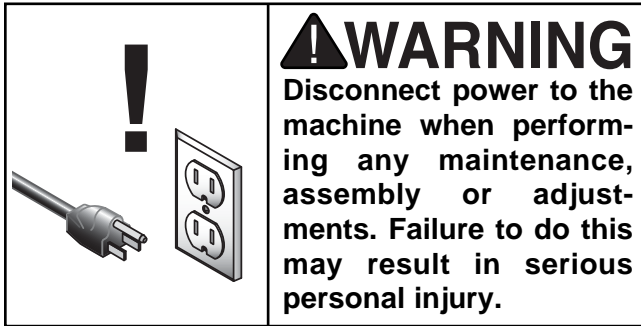
Lighting should be bright enough to eliminate shadows and prevent eye strain. Electrical circuits should be dedicated or large enough to handle combined motor amp loads. Outlets should be located near each machine so power or extension cords are not obstructing high-traffic areas. Be sure to observe local electrical codes for proper installation of new lighting, outlets, or circuits.

	<p>⚠ CAUTION Make your shop "child safe." Ensure that your workplace is inaccessible to youngsters by closing and locking all entrances when you are away. Never allow visitors in your shop when assembling, adjusting or operating equipment.</p>
--	--



SECTION 4: ASSEMBLY

Beginning Assembly



Most of your Model G1022 Series has been assembled at the factory, but some parts must be assembled or installed after delivery. We have organized the assembly process into steps. Please follow along in the order presented here.

TOOLS REQUIRED: High quality square and straightedge, metric Allen® wrench set, flat screwdriver, Phillips® screwdriver, dead blow hammer and a 6" or 8" adjustable wrench.



Stand Assembly

The Model G1022 Series is supplied with a heavy-duty stand. To assemble the stand:

1. Fasten the plastic feet to all four legs using the M10-1.5 x 25 hex bolts, 10MM flat washers and M10-1.5 hex nuts as shown in **Figure 7**.

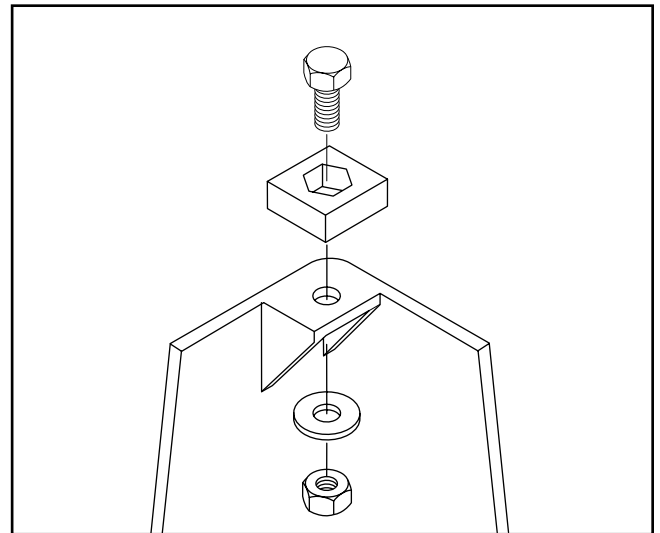


Figure 7. Installing the rubber feet.

2. Locate the long upper and lower side braces (2 each) and bolt to the legs using the M8-1.25 x 16 carriage bolts, 8MM flat washers and M8-1.25 hex nuts as shown in **Figure 8**. Do not tighten any stand bolts at this time.



Figure 8. Assembled side panel.

- Attach the short upper and lower side braces to one of the assembled side panels. Use the M8 - 1.25 x 16 carriage bolts, 8MM flat washers and M8-1.25 hex nuts as shown in **Figure 9**.



Figure 9. Assembled stand section.

- Bolt the other side panel to the upper and lower braces using the M8-1.25 x 16 carriage bolts, 8MM flat washers and M8-1.25 hex nuts as shown in **Figure 10**.



Figure 10. Stand completely assembled.

G1022ZF and ZFX:

- Take the black plastic dust hood with the 4" port and align it with the opening in the adapter. The bolt holes on each of the four corners should line up. Using 10-24 x $\frac{3}{8}$ " bolts, 10-24 nuts and $\frac{3}{16}$ " lock washers to secure the hood to the adapter.

- Note the location of the mounting holes on the top of the stand. Turn the table saw body upside-down and place the dust hood and adapter assembly over the bottom of the table saw body with the dust port flange pointed up.

All Models:

- Align the holes at the four corners. Place the assembled stand upside down on the table saw body, and line up its mounting holes. Make certain the side of the stand with the "Z Series" label, if applicable, is on the front side of the machine (the side with the Grizzly label and angle scale). Secure with M8-1.25 x 19 hex bolts, 8MM flat washers and M8-1.25 hex nuts, with the dust port sandwiched between as shown in **Figure 11**.

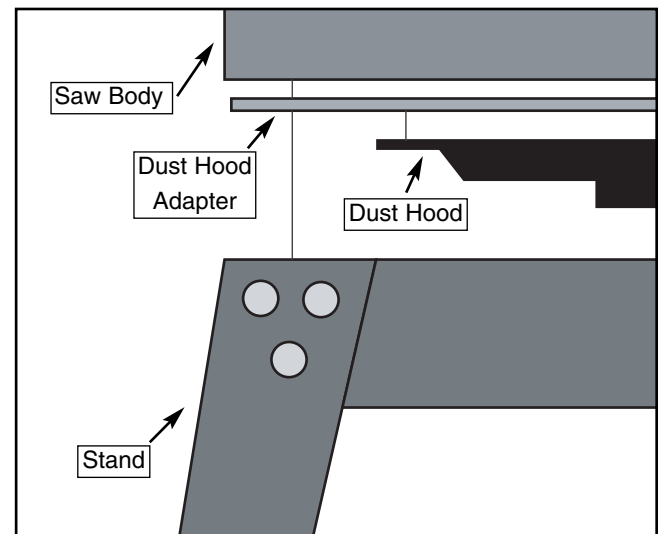


Figure 11. Attaching the stand to the saw base.

- With the help of a second person, flip the entire table saw unit right side-up and move it into its working position. Level the stand by checking all sides for symmetry. Measure diagonally from top to bottom and adjust the stand so both diagonals are equal. Tighten all of the stand bolts.



Handwheels

To mount the handwheels:

1. Position a handwheel over the arbor raising shaft on the front of the saw. Be sure it fits completely over the shaft. The slots in the handwheel hole will engage with the roll pin on the shaft as shown in **Figure 12**.
2. Position the other handwheel similarly on the blade tilting shaft located at the side of the saw.
3. Screw the black plastic lock knobs onto the ends of the shafts to lock the handwheels in place.

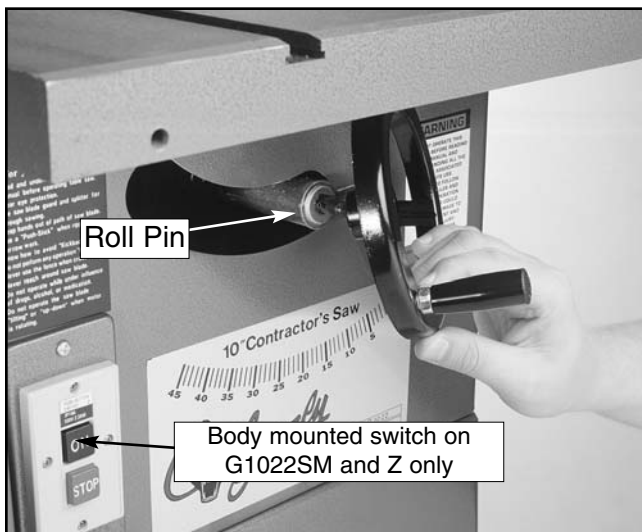


Figure 12. Mounting the handwheels.



Motor

The following pictures show the motor and V-belt included with the Model G1022SM and Z. The motor and belt included with the Model G1022ZF, ZFX and PRO will look slightly different but will assemble in the same manner as shown.

To mount the motor:

1. Turn the motor upside down and attach the motor plate using M8-1.25 x 25 hex bolts, 8MM flat washers and M8-1.25 hex nuts as shown in **Figure 13**. Finger-tighten only.

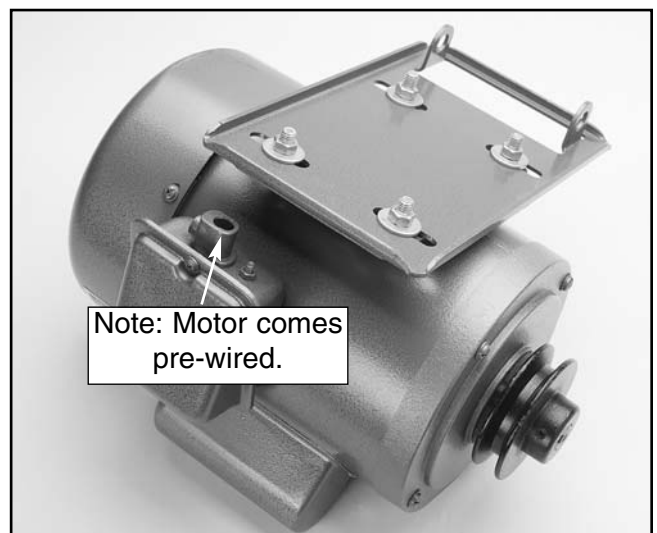


Figure 13. Attaching the motor plate.

2. Insert the 1/4"-20 x 2" hex bolt through the hole in the pulley guard bracket as shown in **Figure 14**.

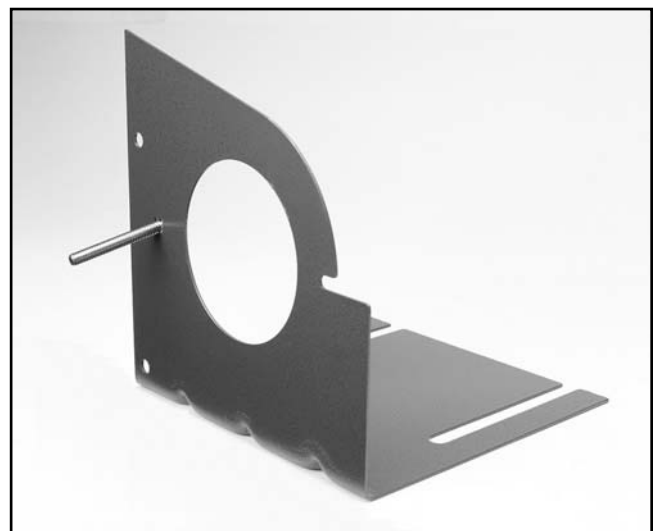


Figure 14. Attaching pulley guard bracket.

3. Set the motor on end and slip the pulley guard bracket between the base of the motor and the motor plate. Tighten one of the four mounting bolts. Leave the other three loose as shown in **Figure 15**.



Figure 15. Installing pulley guard.

4. Locate the motor mount bracket. Loosen the setscrew that holds the motor pivot rod in place and remove the rod. Line up the hole in the motor bracket with the hole in the motor plate and insert the motor pivot rod making sure the groove in the rod lines up with the setscrew in the mount bracket as shown in **Figure 16**. Tighten the setscrew.



Figure 16. Installing the motor mount bracket.

5. Turn the arbor tilting handwheel until the arbor is set to 0°. Slide the motor assembly onto the linking bars through the holes in the motor bracket. Line up the setscrews with the grooves on the linking bars and tighten as shown in **Figure 17**.

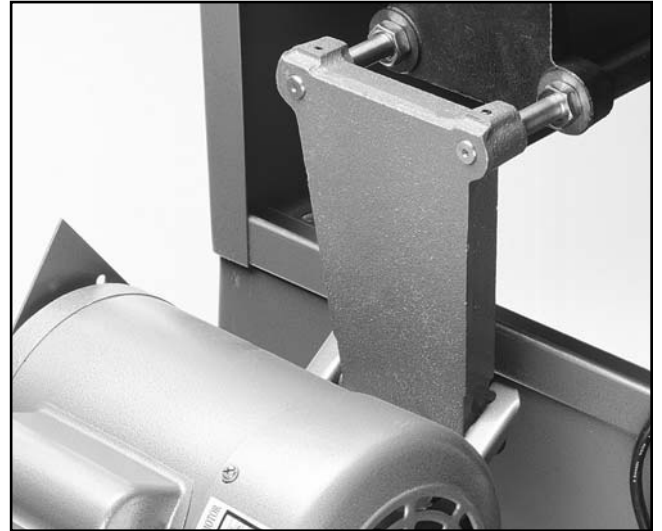


Figure 17. Attaching motor to linking bars.

6. Lift the motor up and slip the V-belt over the grooves in the pulleys. Slowly release the motor, allowing its weight to add tension to the V-Belt as shown in **Figure 18**.

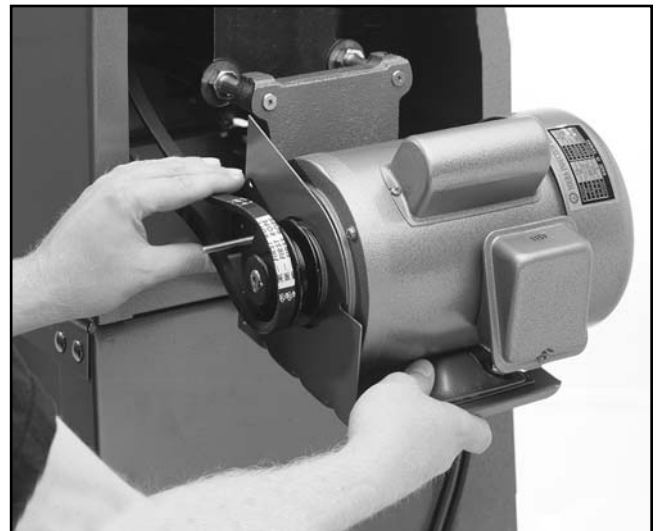


Figure 18. Attaching the V-belt to the motor.

Wiring

7. Place a straightedge across the arbor pulley and the motor pulley. The straightedge should run across both pulleys evenly as shown in **Figure 19**. Adjust the motor on its mount until pulleys are aligned, then tighten all the mounting bolts.

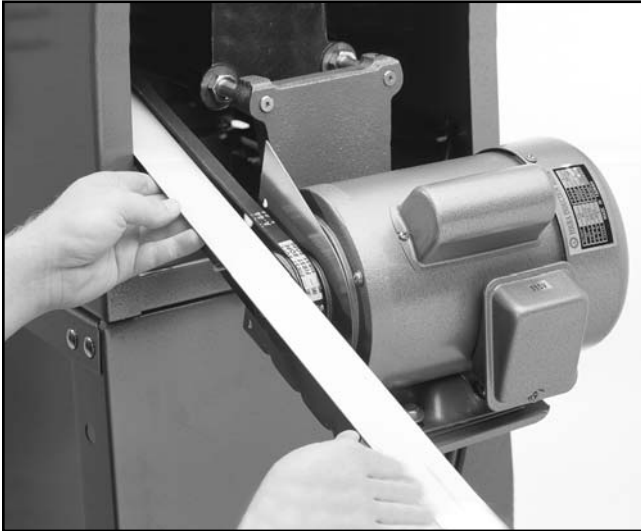


Figure 19. Checking V-belt alignment.

8. Slip the pulley cover spacer over the pulley cover mounting bolt and fit the plastic pulley cover in place. Secure it with the wing nut provided as shown in **Figure 20**.



Figure 20. Attaching the pulley guard.



G1022SM and G1022Z:

The ON/OFF switch, with attached power cord and plug, is already mounted to the saw enclosure. Simply connect the quick disconnect on the cord between the switch and motor.

G1022ZF, G1022ZFX and G1022PRO:

The ON/OFF switch on the ZF, ZFX and PRO models mounts directly below the front fence rail.

1. Take the L-shaped bracket supplied and position it below the front fence rail at the left hand side of the machine. The shorter side of the L has two holes which will align with two holes in the fence rail. Use two Philip® head screws to attach the bracket. Thread them in from underneath the rail so the heads are not in the way of the fence travel.
2. Now attach the switch, using two Philips® head screws inserted through the back of the bracket and into threaded inserts in the back side of the switch box. Tighten these so the switch box is secure.
3. Connect the quick disconnect on the cord between the switch and motor.



Extension Wings

The Model G1022SM is supplied with sheet metal extension wings, and the Models G1022Z, ZF, ZFX and PRO include cast iron extension wings. Installation and adjustment are the same for all the models. To install the extension wings:

1. Attach each wing to the table using the M10 - 1.50 x 25 hex bolts and 10MM flat washers provided. Thread the center bolt in first, then the front and back bolts. Get the wings reasonably flush with the table. Do not completely tighten the bolts.
2. Working front to back, align the front edge of the extension wing with the edge of the table, so they are flush, and tighten the front bolt.
3. Raise or lower the rear of the extension wing until the middle of the wing is flush with the table top and tighten the middle bolt as shown in **Figure 21**.

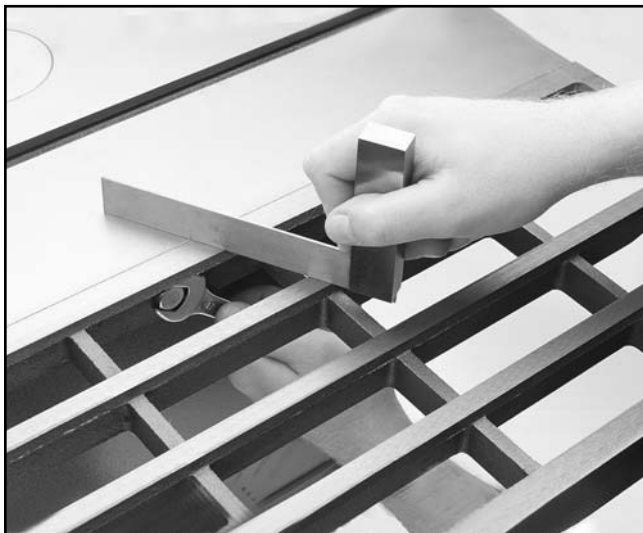


Figure 21. Checking table to wing alignment.

4. Raise or lower the rear of the wing until the wing and table are flush. Tighten the bolt.
5. Repeat **Steps 2-4** for the other extension wing.

6. Now, check the alignment of the table vs. both wings. Your straightedge should run flat across both wings and the table top. If the straightedge contacts both the wings and the table evenly, you may skip to the next section. If it does not, continue to **Step 7**.
7. If the wings tilt down, apply layers of masking tape under each bolt near the bottom edge of the wing.
8. If the wing tilts up, apply layers of masking tape above each bolt near the top edge of the wing.
9. Tighten bolts and adjust again as described in **Steps 2-4**.



Fence Rails

G1022SM and G1022Z

The Model G1022SM and Z are supplied with round rails, the Model G1022ZF and ZFX are supplied with flat angular bar sections and the Model G1022PRO is supplied with square tube rails. This accommodates the standard fence for the SM and Z models, the Shop Fox® fence for the ZF and ZFX models and the Shop Fox® Classic fence for the PRO model. Please refer to the Shop Fox® manuals for complete information regarding the installation of the front and back fence rails on the ZX, ZXF and PRO models.

The rails should extend to the right of the saw and are attached to the table top with special bolts and dished spacers. The rails come packed in a separate box. To mount the rails:

1. The two center bolts for each rail thread directly into the table top, and the outer two bolts secure from the back side of the extension wing with hex nuts as shown in **Figure 22**. Be sure that the rail with the built-in measuring rule is mounted on the front side of the machine, with the markings facing up.
2. Insert the round, plastic plugs into the ends of each rail.

Blade

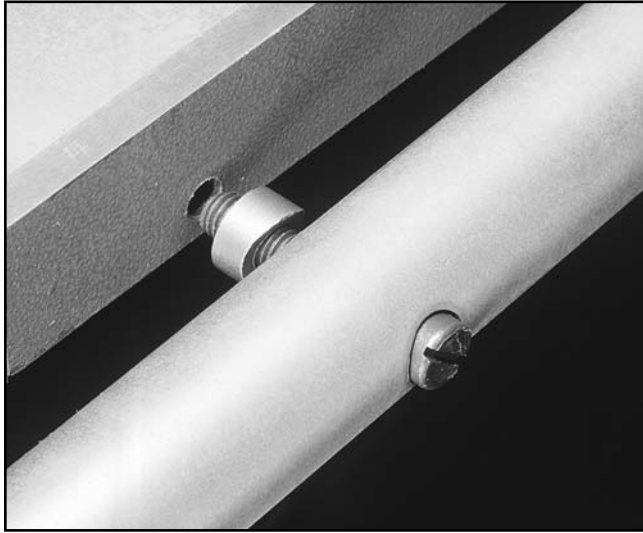


Figure 22. Attaching fence rails.



Fence

G1022SM and G1022Z

1. Thread the plastic knob onto the lock handle.
2. Set the lock handle in the up position and slide the fence over the front and rear rails as shown in **Figure 23**.

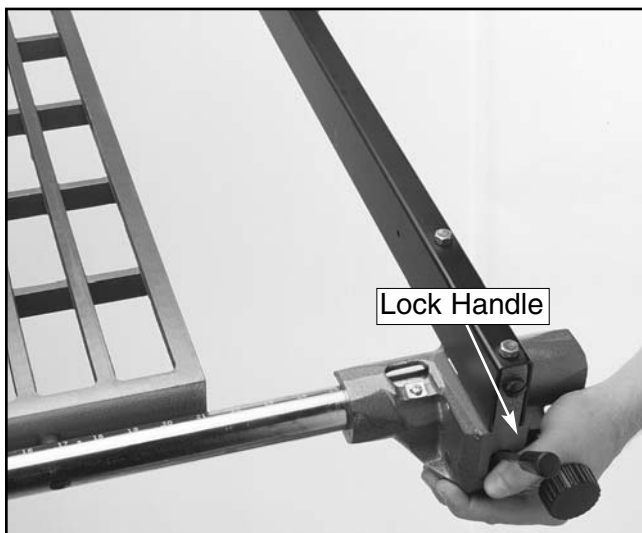


Figure 23. G1022SM fence shown.

3. The fence will require further adjustments, all of which are covered in **Adjustments Section**.



G1022 Series Contractor Saws

Please refer to our current catalog for a complete selection of saw blades. To install the saw blade:

1. Unthread the arbor nut clockwise and remove the outside flange from the arbor. Note that there is a $\frac{3}{4}$ " diameter spacer on the arbor shaft. Remove and discard it. Remember the arbor nut is a left-handed thread.
2. Install the saw blade onto the arbor. Ensure that the blade teeth point toward you as you stand at the front of the saw. Slide on the flange and thread the arbor nut back on.
3. Use the arbor wrench provided with the saw to tighten the arbor nut. Wedge a block of wood in the teeth of the blade to keep it from turning when tightening the nut as shown in **Figure 24**.



Figure 24. Changing saw blade.

	<p>! WARNING Disconnect power to the machine when performing any maintenance, assembly or adjustments. Failure to do this may result in serious personal injury.</p>
--	---



-23-

Blade Guard

1. Screw the threaded end of the support shaft into the hole in the back of the rear trunnion. The check nut on the shaft will be used to tighten the shaft in place as shown in **Figure 25**. Leave it loose for now.

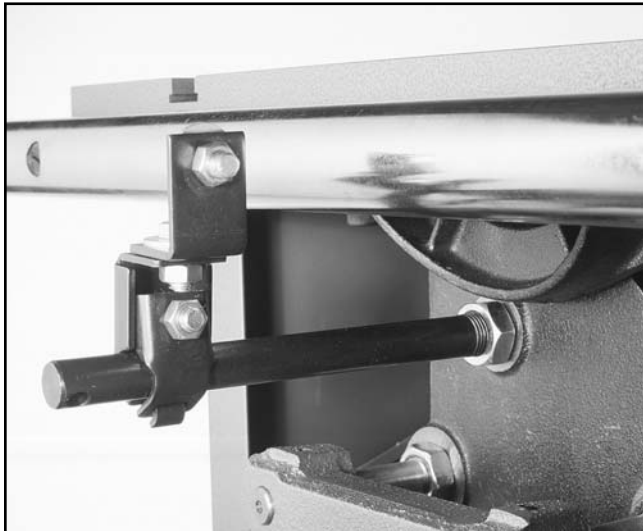


Figure 25. Installing blade guard.

2. Loosen the blade-guard mounting bolt located just inside the table cut-out and the blade guard mounting bolt on the end of the support shaft.
3. Slip the slots at the bottom of the guard over the two mounting bolts as shown in **Figure 26**. The washers should be between the bolt head and the slots. Rotate the support shaft to align the mounting bolts to the mounting slots on the guard.

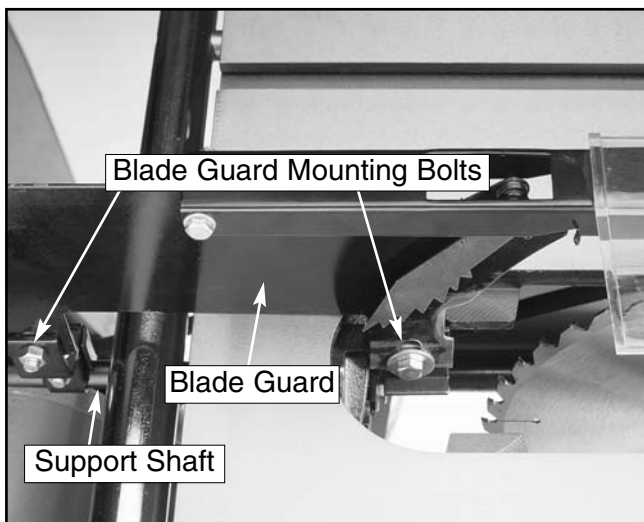


Figure 26. Blade guard components.

4. Tighten the mounting bolts to secure the blade guard.
5. Using a machinist's or a combination square, align the face of the splitter perpendicular to the surface of the saw table as shown in **Figure 27**. Rotate the support shaft slightly. This will normally correct any minor misalignment.

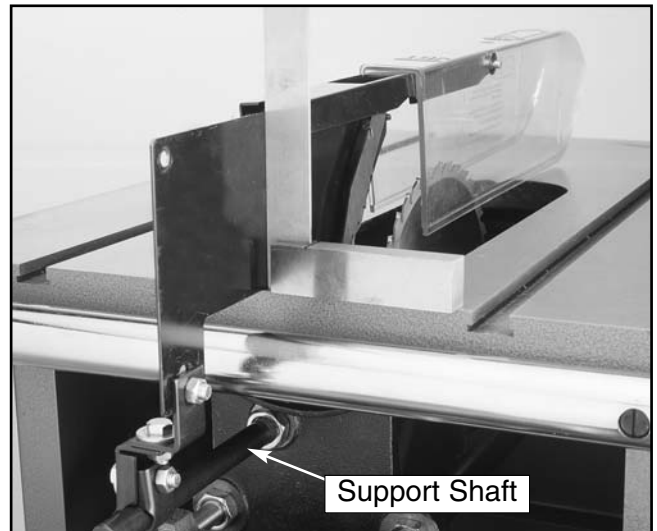


Figure 27. Adjusting blade guard.

!WARNING

The saw blade is extremely sharp. Use extra care when handling the blade or working near it. Serious injury is possible.

6. Next, set a straightedge against the face of the saw blade and the blade guard/splitter as shown in **Figure 28**. If the blade guard/splitter is properly aligned, please skip ahead to the next section; otherwise, continue with the next step.

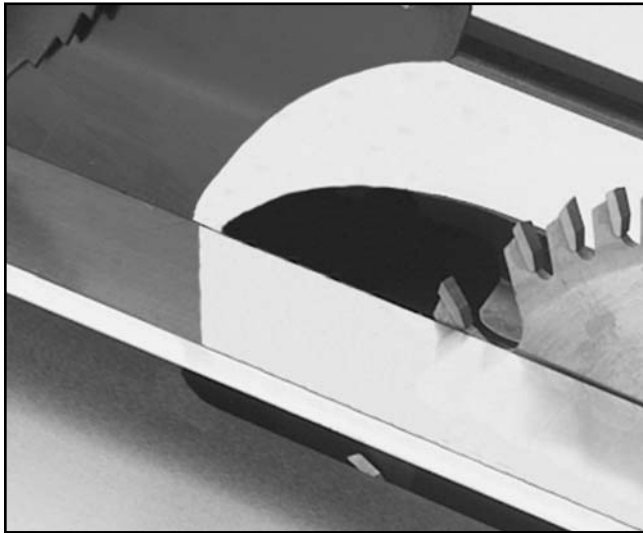


Figure 28. Checking alignment of blade guard.

7. If the blade guard/splitter is to the right of the blade as shown in **Figure 29**, simply add washers between the splitter and front mounting bracket, and adjust the rear splitter support as shown in **Figure 29**.

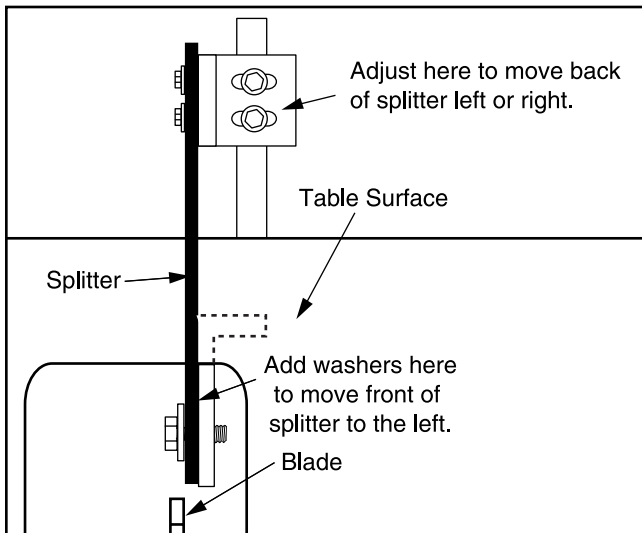


Figure 29. Improper splitter/blade alignment.

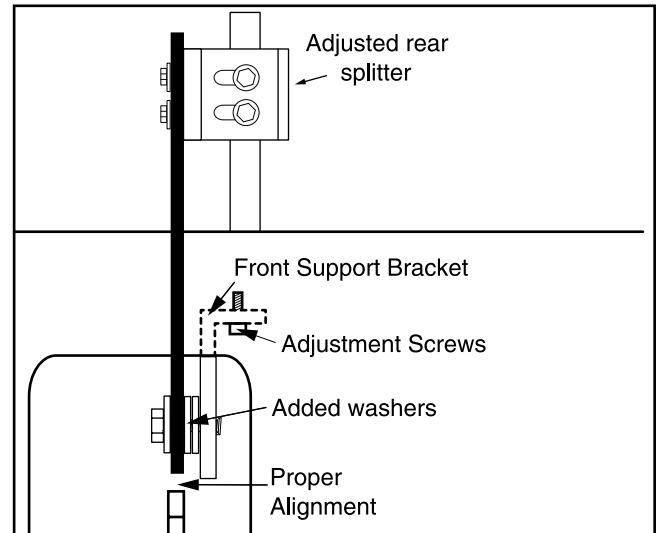
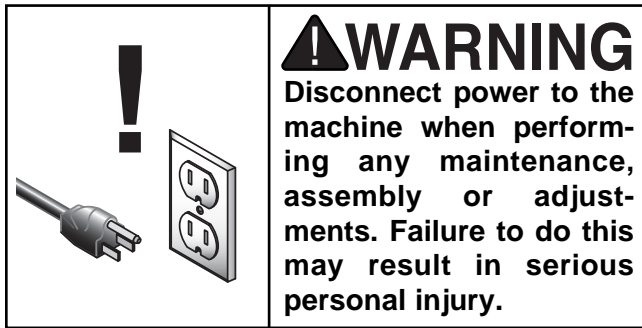


Figure 30. Proper splitter/blade alignment.

8. Recheck guard alignment to the blade and to the table top. Adjust as necessary and tighten all the bolts before use. If the blade guard is properly aligned, please skip ahead to the next section; otherwise, continue with the next step.
9. If the splitter is positioned to the left of the blade, alignment cannot be achieved by washer placement. Adjustment of the front support bracket is required as shown in **Figure 30**. Loosen the adjustment screws and move to the right.
10. Recheck guard alignment to the blade and to the table top. Adjust as necessary and tighten down all the bolts before use.
11. Adjust the blade to 45° and raise and lower it through the full range. Readjust blade to 90° and raise and lower it through the full range. There should be no contact between the base and the table insert or any other part of the saw. If there is, repeat **Steps 1-10**.



Table Insert



The table insert provides access to the blade and arbor when removed. When in place, the insert provides support for materials being cut.

1. Disconnect the power cord from the outlet.
2. Ensure that all four setscrews are firmly in contact with the table casting.
3. Using a 6mm hex wrench, raise or lower each of the four setscrews until the insert is flush with the table top as shown in **Figure 31**.
4. Now make sure the blade will not come into contact with table insert. Position the blade at 90°, then raise and lower the blade through its full range of motion. Also rotate the blade while doing this, making sure that the blade never contacts any part of the table insert. Do the same with the blade in the 45° position. Wear leather gloves while rotating the blade to prevent being cut.
5. Be sure to review **Section 5: Adjustments, "Blade Parallelism,"** before operating the saw.

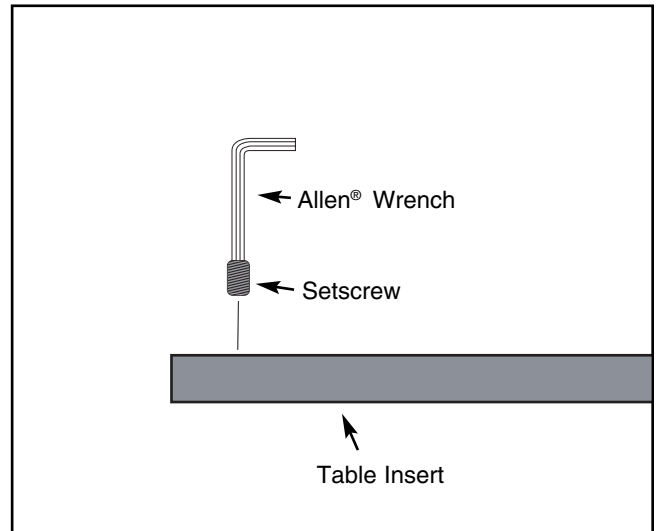
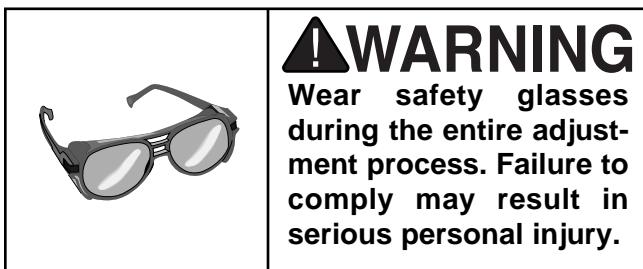
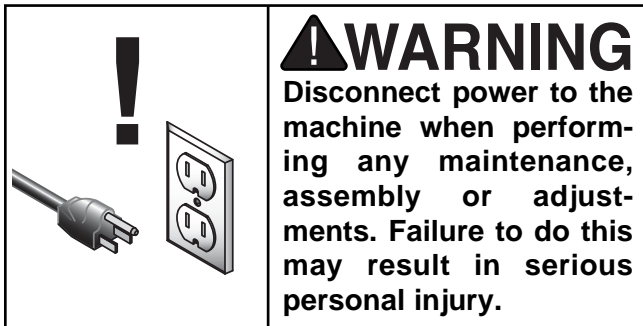


Figure 31. Adjusting table insert height.



SECTION 5: ADJUSTMENTS



G1022SM Fence

(The Model G1022ZF, ZFX and PRO use a Shop Fox® fences. Please refer to the instruction manual included with the Shop Fox® fences for complete directions on adjusting.)

The fence must engage and square up on the front rail before the rear clamp engages the back rail. In essence, the rear clamp should act as a secondary mechanism for maintaining fence position. When adjusted correctly, the lever lock should only begin to apply pressure on the back rail over the last one-third of its stroke. To adjust the fence:

1. First, make sure the front clamp is engaging the front rail with the lock handle at one-half of its throw. If the front clamp requires adjustment, loosen the check nut shown in **Figure 32**. Turn the adjusting bolt clockwise if the front clamp is too far from the rail, or counter-clockwise if it is too close.

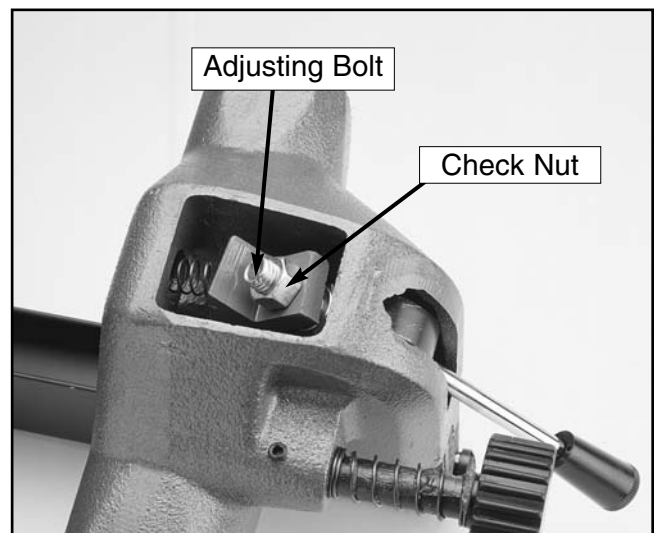


Figure 32. Adjusting clamp mechanism.

2. Now slide the fence along the rail until it is aligned with the edge of the miter slot. Lock the fence down.

- Loosen the rear lock adjustment, the slotted screw on the front of the fence shown in **Figure 33**, until the rear locking lever ceases to engage the rear rail with the fence in the locked position.

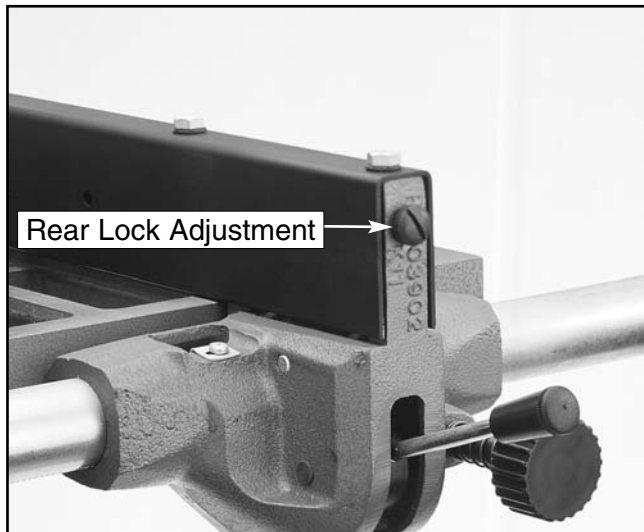


Figure 33. Rear lock adjustment screw.

- Loosen the adjustment bolts at the top of the fence shown in **Figure 34**. Move the straight portion of the fence until it is parallel with the miter slot from front to back. Retighten the bolts.

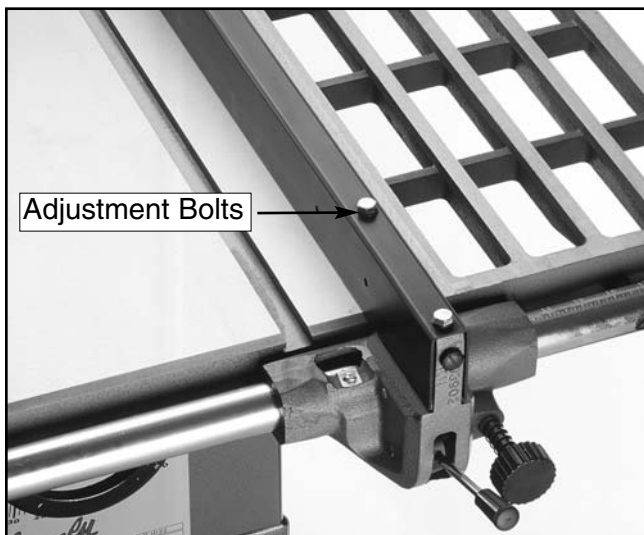


Figure 34. Adjustment bolts for fence parallelism.

- Loosen the locking lever until it is approximately two-thirds engaged. Tighten the rear adjusting screw until the rear clamp barely touches the back rail.
- Loosen the locking lever and slide the fence along the rail. Return the fence to its position at the edge of the miter slot and slowly apply pressure to the lever. If adjustments are correct, the fence should square itself before the rear clamp engages. If the rear clamp engages before the fence is squared, loosen the screw one-quarter turn and retest.

Tip: Attach a piece of $\frac{3}{4}$ " thick hardwood to the blade side of the fence as shown in **Figure 35**. This will keep thin materials from wedging between the fence and table, and will also protect the fence from coming in contact with the blade when dadoing or ripping thin stock. Remember to adjust measurement scale on rail to compensate for the thickness of the sacrificial fence.

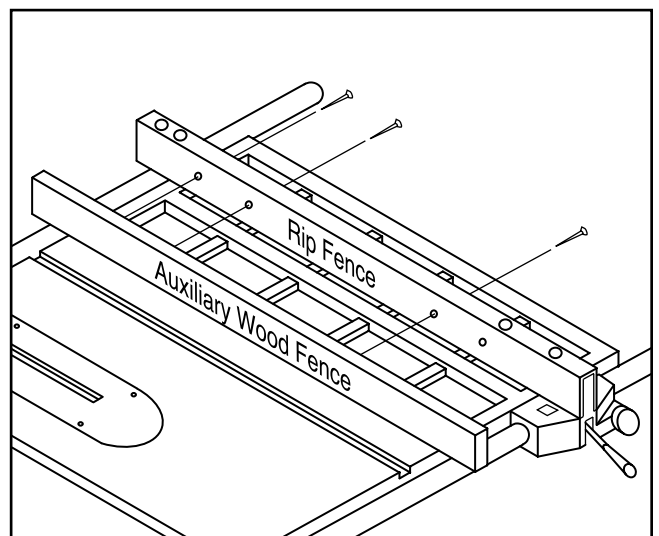


Figure 35. Attaching a sacrificial fence.

7. Once the fence is adjusted, check the measurement pointer shown in **Figure 36** and adjust if necessary.

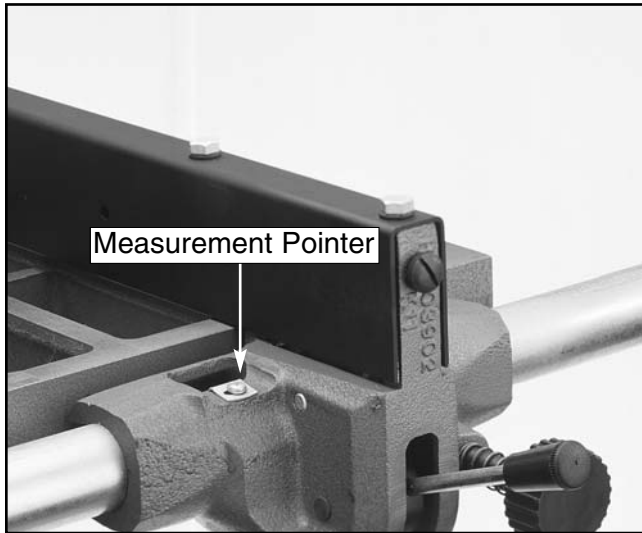


Figure 36. Adjust measurement pointer.



G1022Z Fence

(The Model G1022ZF, ZFX and PRO use a Shop Fox® fence. Please refer to the instruction manual included with the Shop Fox® fence for complete directions on adjusting the fence.)

The fence must engage and square up on the front rail before the rear clamp engages the back rail. In essence, the rear clamp should act as a secondary mechanism for maintaining fence position. When adjusted correctly, the lever lock should only begin to apply pressure on the back rail over the last one-third of its stroke. To adjust the fence:

1. First, make sure the front clamp is engaging the front rail with the lock handle at one-half of its throw. If the front clamp requires adjustment, loosen the check nut shown in **Figure 36B**. Turn the adjusting bolt clockwise if the front clamp is too far from the rail, counter-clockwise if it is too close.

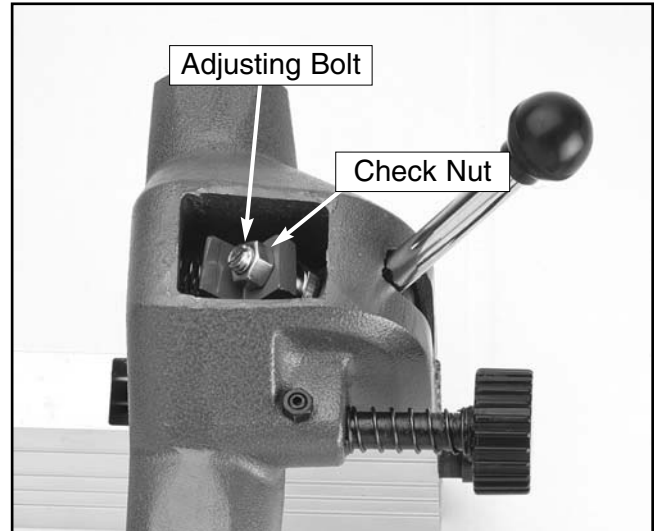


Figure 36B. Adjusting clamp mechanism.

2. Now slide the fence along the rail until it is aligned with the edge of the miter slot. Lock the fence down.
3. Loosen the rear lock adjustment, the slotted screw on the front of the fence shown in **Figure 37**, until the rear locking lever ceases to engage the rear rail with the fence in the locked position.

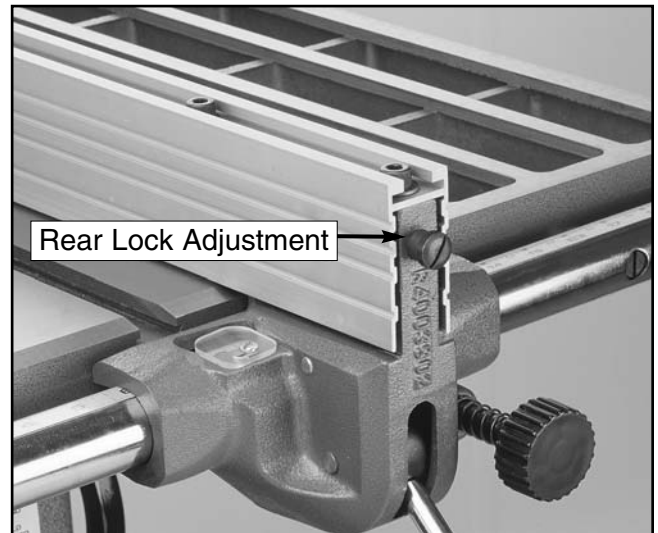


Figure 37. Rear lock adjustment screw.

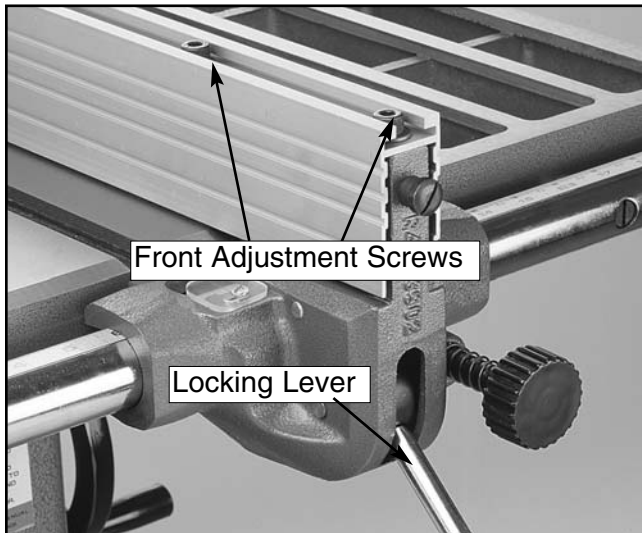


Figure 38. Adjustment bolts for fence parallelism.

4. Loosen the locking lever (**Figure 38**) until it is approximately two-thirds engaged. Make note of its position and lift it up all the way. Tighten the rear adjustment screw until the rear clamp is approximately $\frac{1}{16}$ " from the rail. Move the lock handle back to its two-thirds position. The rear clamp should just be touching the rail. If it is too loose or too tight, lift the handle and turn the adjusting screw in small increments until the clamp is in its proper location. **NOTE:** Do not turn the adjustment screw unless the lock handle is in the up position. Damage to the clamp shoe will result if this step is not observed.
5. Loosen the locking lever and slide the fence along the rail. Return the fence to its position at the edge of the miter slot and slowly apply pressure to the lever. If adjustments are correct, the fence should square itself before the rear clamp engages. If the rear clamp engages before the fence is squared, loosen the screw one-quarter turn and retest.

Tip – Attach a piece of $\frac{3}{4}$ " thick hardwood to the blade side of the fence shown in **Figure 39**. This will keep thin materials from wedging between the fence and table, and will also protect the fence from coming in contact with the blade when dadoing or ripping thin stock.

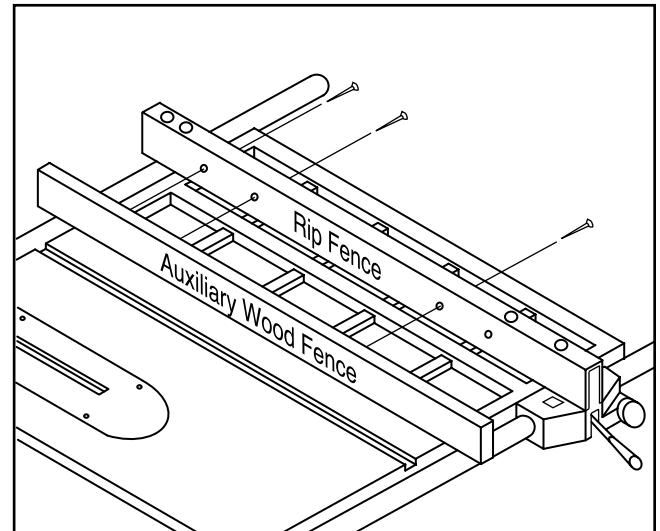


Figure 39. Attaching a sacrificial fence.

6. Once the fence is adjusted, check the measurement pointer shown in **Figure 40**, and adjust if necessary.

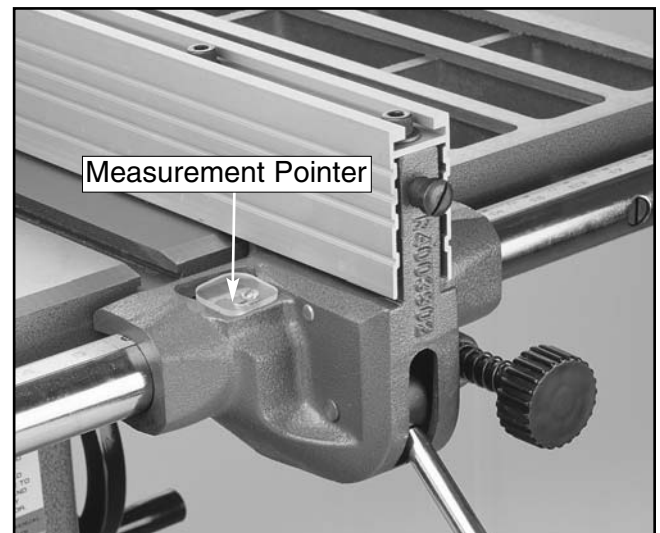


Figure 40. Adjust measurement pointer.



Blade Parallelism

Your table saw will give the best results if the miter slot is parallel to the blade. If they are not exactly parallel, your cuts and finished work will be lower in quality. To check and adjust blade parallelism:

1. Using an adjustable square, measure the distance between the miter slot and the front of your blade as shown in **Figures 41 and 42**.

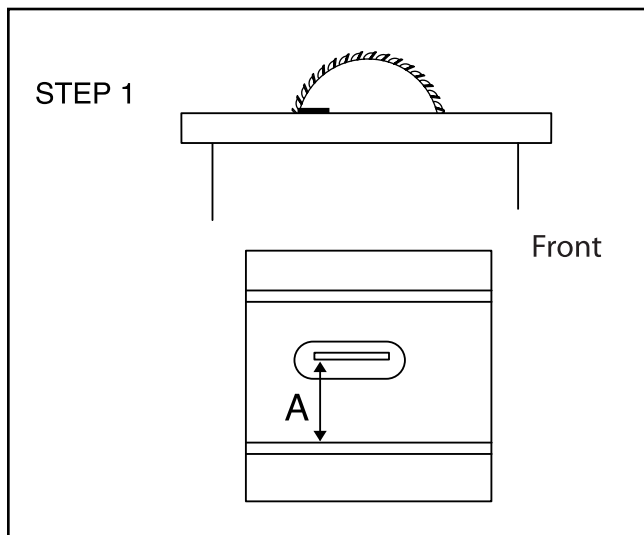


Figure 41. 90° blade parallelism measurement.

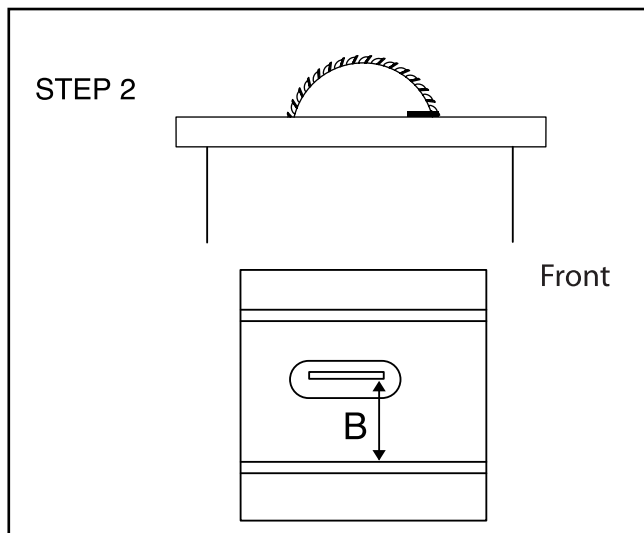


Figure 42. 90° blade parallelism measurement.

2. Note the first measurement. Rotate the blade 180° and move the square to the rear of the blade. You may find it helpful to mark your blade with a felt-tip pen (as a rotation guide) at the point where the straightedge and blade meet.
3. Compare the measurements. If the difference in measurements is less than 0.004", your blade and table are in acceptable alignment move to **Step 7**. If the difference is greater, you will need to adjust the trunnion and table.
4. To adjust blade alignment, remove the motor, wings and the upper half of the saw from the stand. Place it upside down on 4 x 4 blocks to allow the saw blade to rotate freely.
5. Remove the handwheels and the sheet metal body. To maintain the trunnion assembly as one unit, place a bar clamp across the entire trunnion assembly. The four trunnion bolts (**Figure 43**) can now be loosened. This will allow the trunnion assembly to be shifted in order to change the alignment between the blade and the miter slot.
6. Now measure the miter slot to the blade as in **Steps 1 and 2**. Move the trunnion assembly until proper alignment has been obtained. Tighten the trunnion bolts and remove the bar clamp.

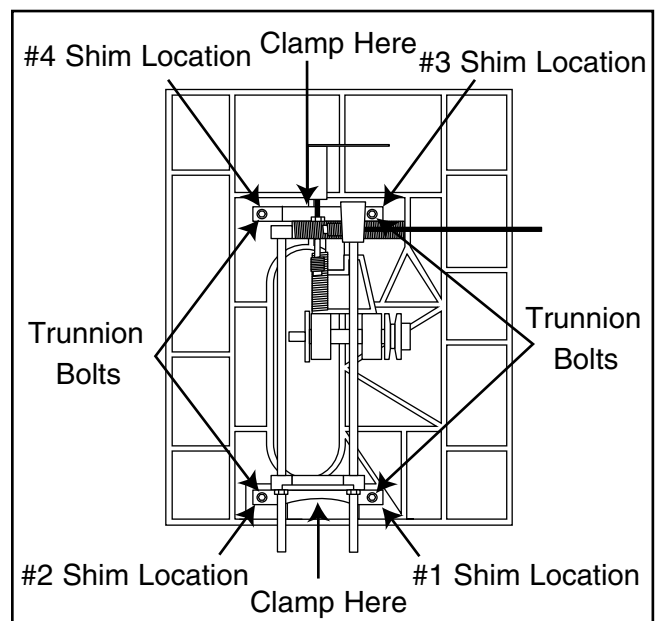


Figure 43. Table/trunnion assembly.

7. Now check to see if the blade remains parallel to the miter slot when tilted to 45°.
8. Tilt the blade to 45° and repeat **Steps 1-5**. If the blade is still parallel to the miter slot, continue with the next section. Otherwise, continue with the next step.
9. If the blade was parallel to the miter slot at 90° but not at 45°, the trunnion will need to be shimmed with metal shim stock. The shims are placed between the trunnion corners and the table.

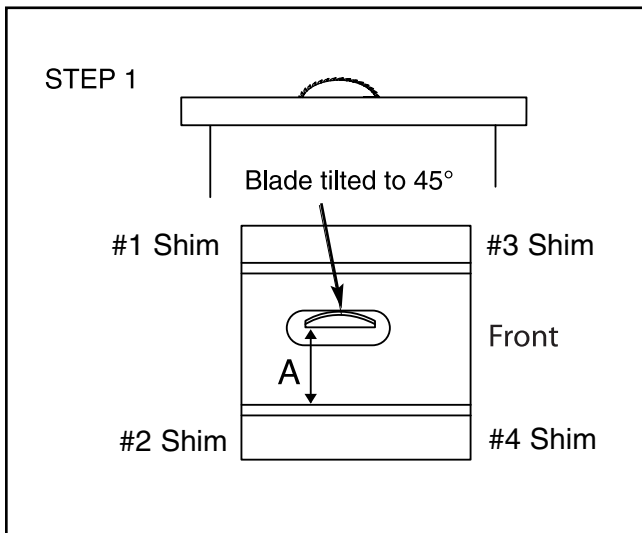


Figure 44A. 45° blade parallelism measurement.

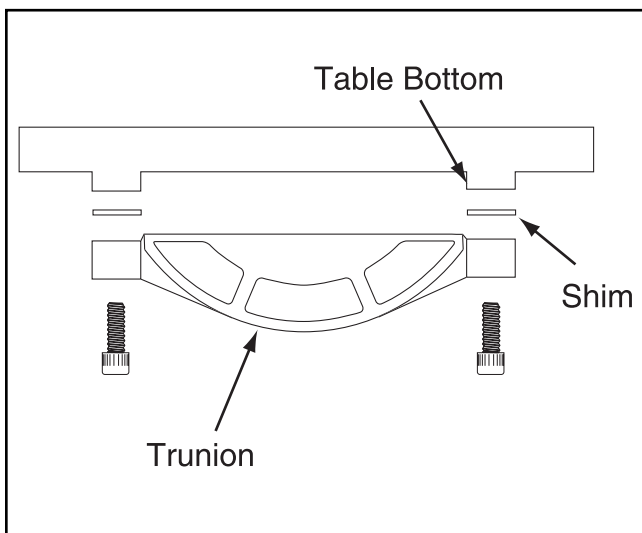


Figure 44B. Shim placement.

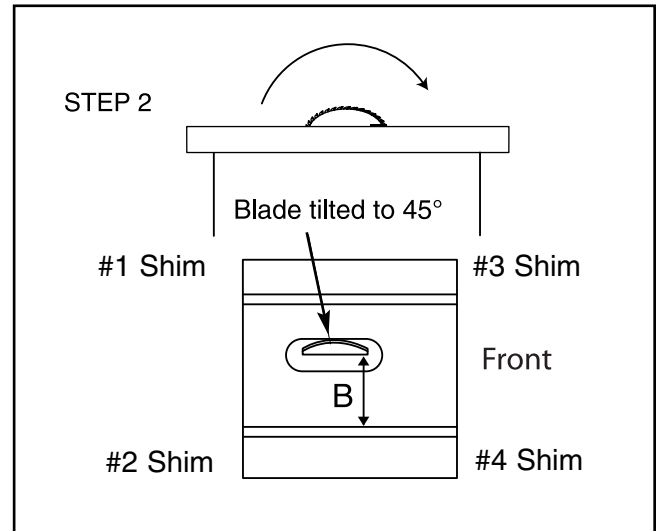


Figure 45. 45° blade parallelism measurement.

10. Refer to **Figures 43, 44A, 44B and 45**, for shim placement. If the distance of A is shorter than B, shim(s) will need to be placed under corners #1 and #2. If the distance of B is shorter than A, shim(s) will need to be placed under corners #3 and #4. Very thin shim stock works well, just make sure they are all the same thickness, and you put an equal number under each of the two corners.
11. Tighten down one trunnion bolt a small amount and then move on to each of the others, tightening each down the same amount. Continue to rotate through the bolts, tightening them a little each time until they are all secure.
12. Now recheck the blade to miter slot at 90° and 45° by repeating **Steps 1-3 and 8**. If the distance of A and B are equal to or less than 0.004" at both 90° and 45°, continue to the next section. If the distances are still off by more than 0.004", repeat **Steps 4-12**.
13. Once you feel you have the miter slot adjusted to the blade, recheck all measurements and be sure the table mounting bolts are secure. Repeat **Step 10** in "Blade Guard/Splitter" instructions. Also, if you ever loosen the trunnion in the future, be sure to make note of shim placements and reassemble exactly how it came apart.



45° and 90° Stops

The Model G1022 Series is equipped with positive stops at 45° and 90°. When properly adjusted, they provide precise and dependable guides for bevel adjustment. To set these stops:

1. **Unplug the machine!** Raise the saw blade to its maximum height by turning the front handwheel clockwise.
2. Set the saw blade at 90° to the table by turning the handwheel at the side of the machine as far as it will go. **Important:** Do not force the handwheels when setting the blade height or bevel. If the handwheels offer resistance, do not continue turning until you determine the source of the resistance.
3. Once your blade is set at 90° to the table, place a machinist's square or speed square against the blade and table surface, as shown in **Figure 46**.

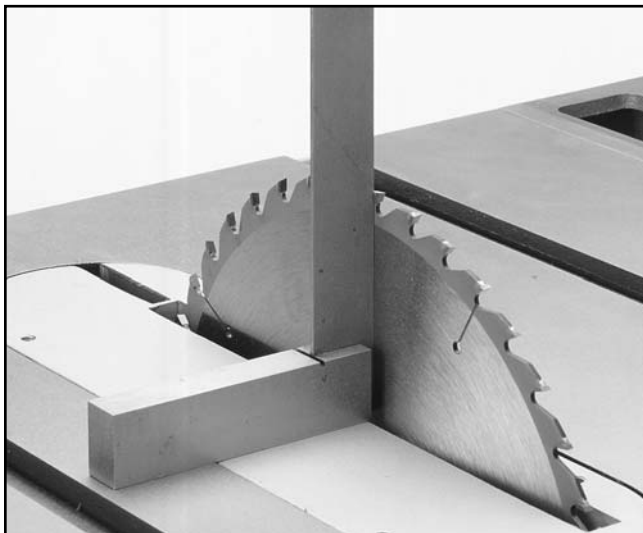


Figure 46. Checking blade angle to table.

4. With the square in place, inspect for variation between the blade and square.
5. If a gap exists at either the top or the bottom of the square, loosen lock nut (A) and adjustment bolt (B) indicated in **Figure 47**.

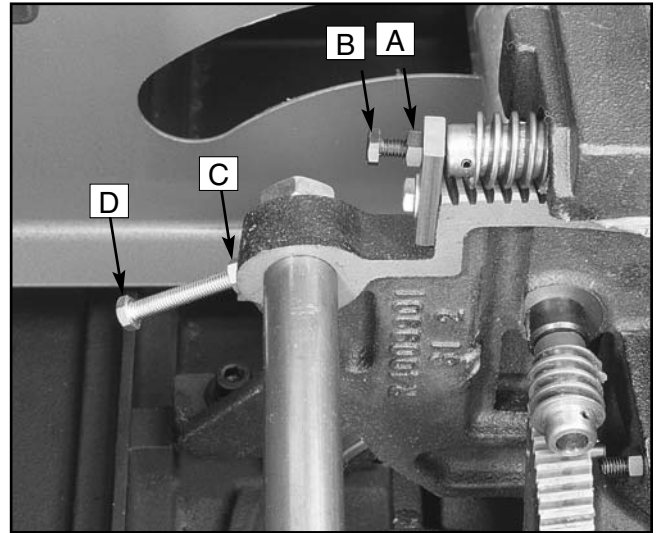
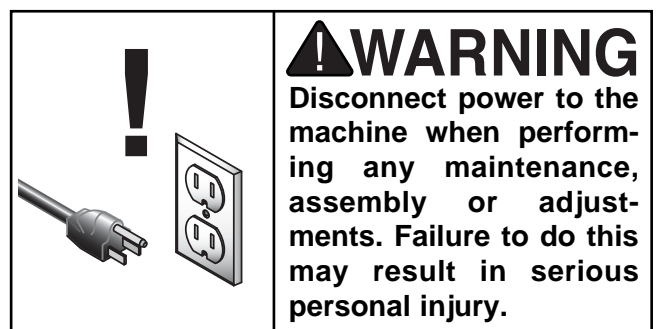


Figure 47. 90° and 45° stop bolt adjustments.

6. Turn the handwheel until the blade and square are flush from top to bottom.
7. Snug the adjustment screw and tighten the lock nut. Recheck the blade with the square to ensure that you have not over tightened the screw.
8. Using the side handwheel, adjust the blade bevel until you hit the 45° positive stop. Check the bevel with your speed square or an adjustable square set to 45°.
9. If variations exist, loosen the lock nut (C) and adjust the stop bolt (D) (**Figure 47**) until your blade and square match.
10. Tighten the lock nut and recheck the bevel by adjusting the blade back to 90°, then back to 45°. Correct again, if necessary.



Worm Gear

The degree of resistance at the blade height handwheel can be adjusted to compensate for wear or for personal preference. To adjust:

1. Loosen the lock nut (A) shown in **Figure 48**. This will allow the eccentric sleeve that surrounds the worm gear to turn. Although this process can be done with the handwheel in place, you may find it easier to remove it first.

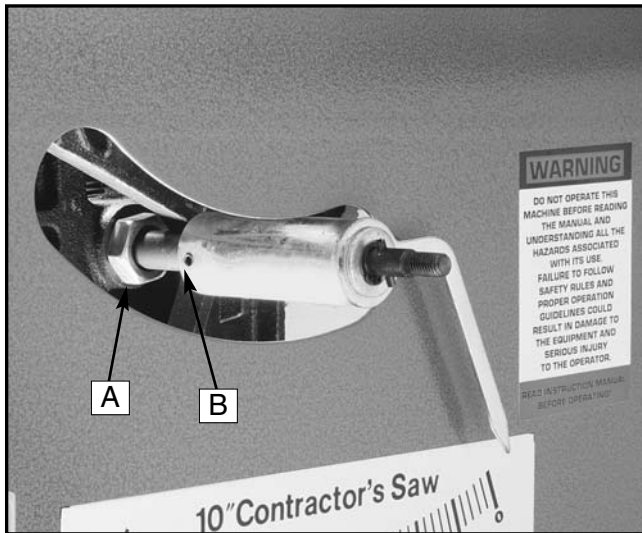


Figure 48. Handwheel resistance adjustment.

2. As you watch from below, twist the pointer assembly at the front of the saw. As you turn the pointer, you'll see the worm gear move toward and away from the teeth on the front trunnion. Ideally, the worm gear should mesh with the teeth without slop or excess tightness. This process requires a bit of trial and error.
3. Once you have found a degree of tightness that you prefer, tighten the lock nut.
4. Loosen the setscrew (B) and pivot the pointer back to zero. Retighten the setscrew. Replace the handwheel.



Miter Gauge

Initial Step, Model G1022ZF and ZFX:

The ZF/ZFX miter gauge has two setscrews in the miter slot bar which can be set to remove any free play from the miter gauge when inserted in the T-slot. Loosen or tighten the two setscrews until the miter gauge slides freely back and forth, but has no side-to-side movement.

Next step for all models:

1. Loosen the lock knob on the miter gauge and place a square against the face of the miter body and the blade.
2. Adjust the miter body until there is no space between the square and the blade. Tighten the lock knob.
3. With the stop link in the up position, loosen the jam nut and adjust the stop screw shown in **Figure 49** until it is seated against the stop link.
4. Now loosen the setscrew on the left front side of the miter bar, adjust the pointer to 90° and retighten the setscrew.
5. To adjust to 45°, follow **Steps 1-4** using an adjustable square set to 45°.
6. After rotating the miter body from 45° to 90° and back a few times, double check your adjustments at both angles to assure that you have accurately set your miter gauge.

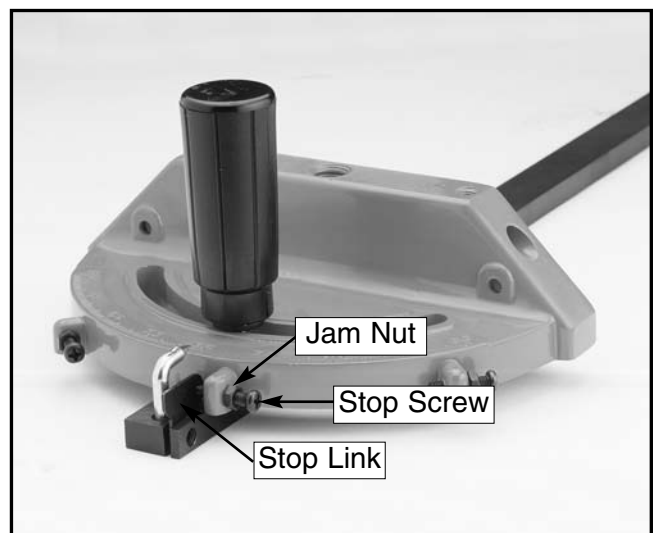


Figure 49. Miter gauge adjustment points.



SECTION 6: OPERATIONS

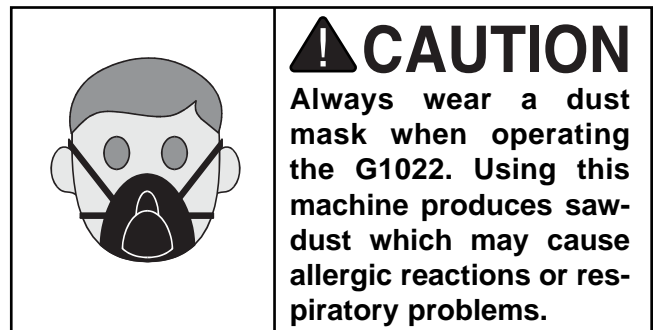
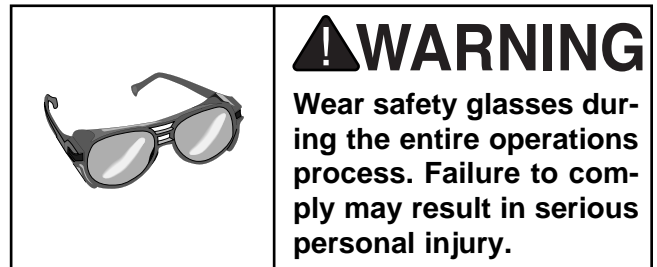
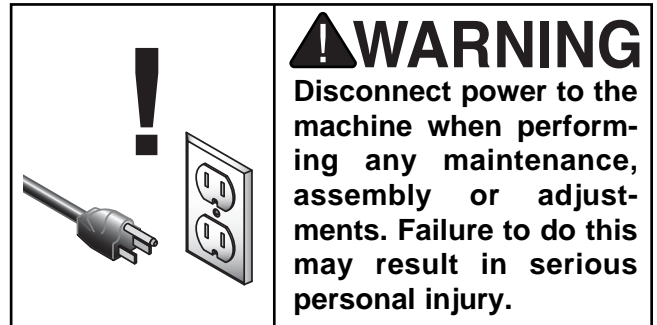
Pre-Run Check

Before you begin to use your Model G1022 Series, you should give it a thorough inspection. While making your inspection, ask yourself the following questions:

1. Are all the fasteners tight?
2. Is the blade mounted correctly?
3. Is the saw stable?
4. Is it wired properly?
5. Is your electrical system properly configured?
6. Have you checked your work piece for obvious defects?
7. Are the V-belts properly tensioned and the pulleys properly aligned?
8. Is the guard assembly installed and functional?
9. Have you checked the saw blade clearance when it is adjusted to varying angles and depths?
10. Have you read all warnings and directions regarding the operation of this machine?



Test Run



1. Face the table saw and stand to the left of the blade path.
2. With one finger on the START button and one finger on the STOP button, turn the saw on. Be ready to turn it off in case of mishap.
3. Watch and listen to the saw. Note whether there are any unusual sounds or excessive vibrations.

4. If anything appears abnormal, immediately turn off the saw and fix the problem. If a problem exists that is beyond the scope of this manual, call our service department.
5. If the saw is behaving normally, turn it off and prepare to make a cut according to the instructions outlined in the following sections.



Blade Selection

Choosing the correct blade for the job is essential for the safe and efficient use of your table saw. Ignoring this important step could result in damage to the saw and serious injury to the operator. Documented below are the most common saw blades and their uses.

1. **Rip Blade:** Used for cutting with the grain. Typically, 10" rip blades have between 20-40 teeth (**Figure 50**), flat-top ground tooth profile and large gullets to allow for large chip removal.



Figure 50. Ripping blade.

2. **Cross-cut Blade:** Used for cutting across the grain. 10" cross-cut blades have between 60-80 teeth (**Figure 51**), alternate top bevel or steep alternate top bevel tooth profiles, small hook angle and a shallow gullet.



Figure 51. Crosscutting blade.

3. **Combination Blade:** Used for cutting with and across the grain. A compromise between a rip blade and a cross-cut blade, a 10" combination blade will typically have between 40-50 teeth (**Figure 52**), an alternate top bevel and flat or alternate top bevel and raker tooth profile. The teeth are arranged in groups of five. The gullets are small and shallow within the groups of five teeth, similar to a cross-cut blade; then large and deep between the groups, like a ripping blade.



Figure 52. Combination blade.

4. **Plywood Blade:** Used for cutting plywood or veneers. A 10" plywood blade will have 40-80 teeth (**Figure 53**), a steep alternate top bevel tooth profile and very shallow gullet.



Figure 53. Plywood blade.

5. **Thin-kerf:** Most types of saw blades are available in a thin-kerf style. Used primarily to minimize stock wastage. It is recommended thin-kerf blades be used in conjunction with a blade stabilizer to reduce blade wobble. **Note:** Most blade guards/splitters are thicker than most thin-kerf blades. Make sure the stock will pass by the guard/splitter before beginning a cut.
6. **Dado Blades:** There are two types of dado blades: stack and wobble. Stack dados are expensive and time consuming to set up but leave a clean and smooth finish. Stack dados are used for fine furniture and cabinet making. Wobble dados are inexpensive and easy to set up, but leave a rough finish.
7. **Moulding Heads:** A moulding head is a cutterhead that attaches to the arbor and holds individual moulding knives. We do not recommend their use. They are very dangerous and required training beyond the scope of this manual.

This section on blade selection is by no means comprehensive. Always follow the saw blade manufacturer's recommendations to assure safe and efficient operation of your table saw.

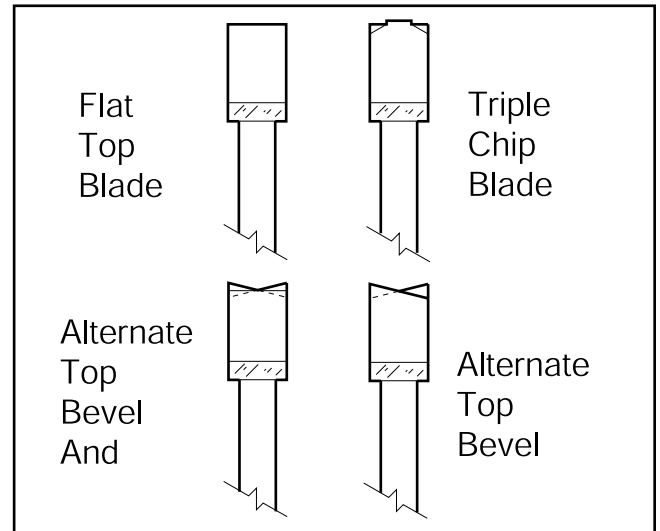


Figure 54. Various saw tooth cutting profiles.



Crosscutting

Crosscutting means cutting across the grain of the wood. In wood products without grain (i.e. MDF, particleboard) it simply means cutting across the width of the stock.

Crosscuts are made with the miter gauge. There are two miter gauge slots in the table top. Use the one that works best for the piece being crosscut. To make a crosscut using the miter gauge:

1. Inspect the board for soundness. You do not necessarily need a square edge to crosscut with accuracy.
2. Inspect the miter gauge. Is it properly set and tight? Move the rip fence completely out of the way.
3. Turn on the saw and allow it to come to full speed.
4. Hold the workpiece firmly against the face of the miter gauge and ease it into the blade as shown in **Figure 55**.
5. Turn off the saw and allow the blade to come to a full stop.



Figure 55. Cross-cut operation.



Ripping

Ripping means to cut with the grain of the wood. In other materials such as MDF or plywood, ripping simply means to cut lengthwise. To rip a board:

1. Inspect the board for soundness. You will need a straight edge to rip with accuracy and safety. Your workpiece may need to be jointed flat before attempting to cut on the table saw.

WARNING

Never attempt to rip a board that does not have one perfectly straight edge on it. Always run the straight edge of the board against the rip fence. Failure to do this could result in kickback and serious personal injury.

2. Set the rip fence to the desired distance from the blade. **IF YOU ARE MAKING NARROW CUTS, USE A PUSH STICK.** It is unsafe to put your hands close to the blade. A push stick pattern has been included in this manual on **Page 62**, or you can purchase the G3445 or G1411 push stick from the Grizzly catalog. Use them to hold the workpiece against the table and fence, and push the

workpiece fully past the blade. When a small width is to be ripped and a push stick cannot be safely put between the blade and rip fence, rip a larger piece to obtain the desired piece.

3. Turn on the saw and allow it to reach full speed. Place the trued edge of the board against the rip fence. Feed the workpiece slowly and evenly into the blade. Do not stand behind the board as shown in **Figure 56**.



Figure 56. Do not stand directly behind wood.

WARNING

Stand out of the line of potential kickback. Hold the workpiece firmly against the fence and table. Do not allow your fingers to get close to the blade! Do not reach over the blade to off-load the workpiece.



Dado Operations

In addition to its ability to rip and crosscut lumber, the table saw is also an invaluable tool for creating a variety of dados. These non-through cuts can be created with a regular saw blade or with a specially-designed dado blades shown in **Figure 57**.

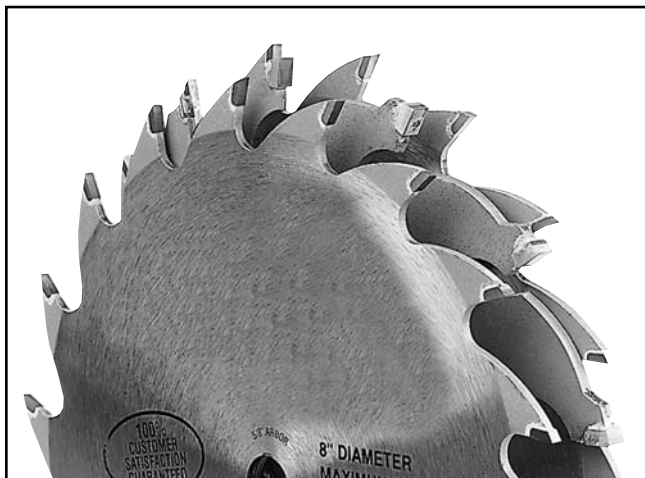


Figure 57. Optional dado blade system.

!WARNING

Never allow hands or arms to be above or behind the saw blade. Should kickback occur, the hands and arms can be pulled into the saw blade. Serious injury will result.

!WARNING

Never perform a through cut operation with a dado blade. A dado blade was designed to make non-through cuts only. Failure to follow these directions could result in serious injury will result.

!WARNING

Dado operations present very real hazards requiring proper procedures to avoid serious injury. The chance of kickback is always greater when dado blades are used so extra precautions must be used. Any movement of the stock away from the fence will cause kickback. Be certain that stock is flat and straight. Failure to follow these warnings could result in serious personal injury.

!CAUTION

Always use push sticks, featherboards, push paddles and other safety accessories whenever possible to increase safety and control during operations which require the blade guard and splitter to be removed from the saw. ALWAYS replace the blade guard after dadoing is complete.

Proper dado operations will differ depending on the blade system you choose. Consult the instructions included with your dado blades for directions regarding attachment and adjustment. To use a dado blade:

1. Ensure that the saw is switched off and disconnected from its power source.
2. Remove the table insert, splitter guard, regular saw blade.
3. Attach and adjust the dado blade system as recommended in the dado blade's instructions.
4. Install the dado table insert.
5. Raise the blade system up to the desired depth of the dado. Make sure the dado blade will not cut through the work piece.
6. If dadoing along the length of your work-piece, adjust the distance between the fence and the inside edge of the blade to suit your needs. When cutting across the wood grain, use the miter gauge as a guide while dadoing. **Remember:** Never use the fence as a stop in conjunction with your miter gauge.
7. Reconnect the saw to the power source.
8. Using a scrap as a test piece, switch on the saw and take a pass over the dado blade.
9. If the cut is satisfactory, repeat with your finish stock.
10. Re-install the blade guard.

Dadoing operations can also be accomplished using a conventional saw blade. To create a single-blade dado:

1. Clearly mark the width of the dado cut on your workpiece. Include marks on the edge of your workpiece so you can clearly identify your intended cut while the material is laying flat on the saw table.
2. Set the blade height to the depth of cut you wish to create.
3. If the dado runs the length of the material, adjust the fence so the blade is aligned with the inside of your dado channel as shown in **Figure 57B**.
4. Turn on your saw and make the first cut.

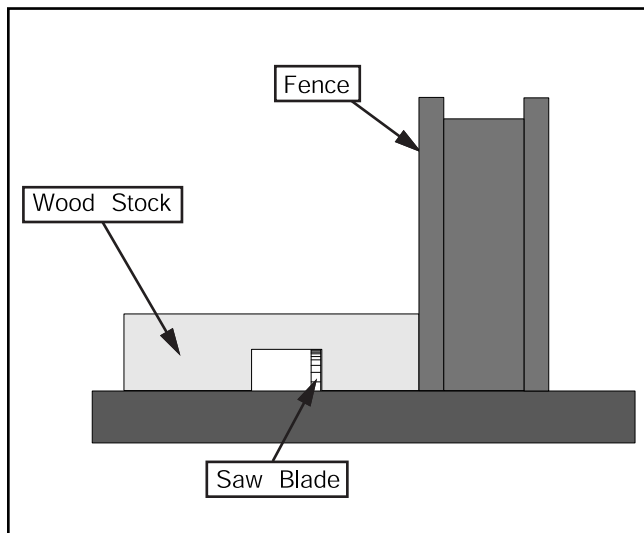


Figure 57B. Single-blade dado cut.

5. Turn off the saw and readjust the fence so the blade is aligned with the other edge of the intended dado channel. Be sure to keep the cuts within your marks; otherwise, your dado will be too large.
6. Turn on the saw and make a second cut.
7. Move toward the center of the dado with your subsequent cuts until the dado is complete.
8. Re-install the blade guard.

Rabbet Operations

In addition to its ability to create a variety of dadoes, this table saw can be used to cut L-shaped rabbets. These cuts can be created with a regular saw blade or with specially-designed stacking or wobbling dado blades (**Figure 57**).

Proper rabbet operation will differ depending on the blade system you choose. Consult the instructions included with your dado blades for directions regarding attachment and adjustment. To use a dado blade for rabbeting operations:

1. Rabbet cutting on the edge of a piece of stock requires the use of a sacrificial fence attachment as shown in **Figure 58**. The sacrificial fence can be made from a piece of wood that is as long as the metal fence and $\frac{3}{4}$ " thick. Once the sacrificial fence has been cut, attach it to the metal fence with screws or clamps, making sure they are all secure and tight.

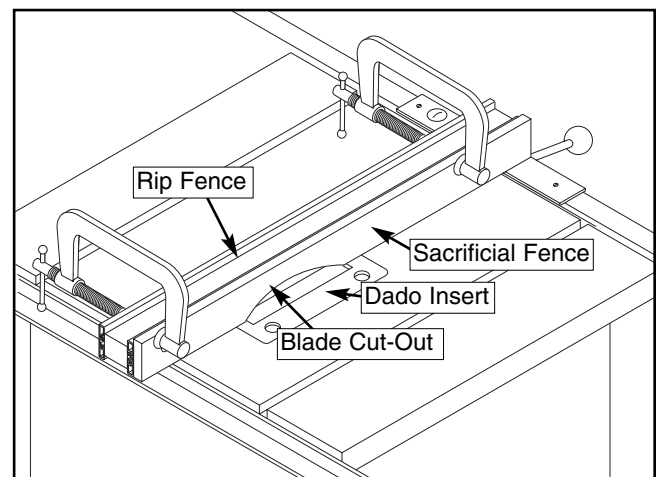


Figure 58. Sacrificial fence.



⚠ CAUTION

Always use push sticks, featherboards, push paddles and other safety accessories whenever possible to increase safety and control during operations which require that the blade guard and splitter must be removed from the saw. ALWAYS replace the blade guard after dadoing is complete.

2. Ensure that the saw is switched off and disconnected from its power source.
3. Remove the table insert, splitter guard and the regular saw blade from the arbor.
4. Attach and adjust the dado blade system as recommended in the dado blade instructions. Raise the blade system according to your needs. Make sure it will not cut through the workpiece.
5. If rabbeting along the length of your workpiece, adjust the distance between the fence and the outside edge of the blade to suit your needs as shown in **Figure 59**. When cutting across the wood grain, use the miter gauge as a guide while rabbeting. **Remember:** never use the fence as a stop in conjunction with your miter gauge.
6. Using a scrap as a test piece, switch on the saw and take a pass over the dado blade.
7. If the cut is satisfactory, repeat with your finish stock.
8. Reinstall the blade guard.

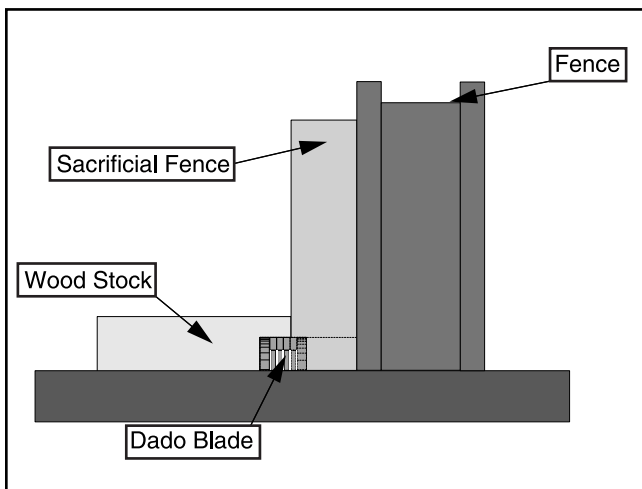


Figure 59. Rabbet cutting.

G1022 Series Contractor Saws

Rabbeting operations can also be accomplished using a conventional saw blade. To create a single-blade rabbet:

1. Clearly mark the width of the rabbet cut on your workpiece. Include marks on the edge of your workpiece so you can clearly identify your intended cut while the material is laying flat on the saw table.
2. Set the blade height to the depth of cut you wish to create.
3. If the rabbet runs the length of the material, adjust the fence so the blade is aligned with the inside of your rabbet channel.
4. Turn on your saw and make the first cut.
5. Turn off the saw and readjust the fence so that the next cut will remove another portion of the wood stock between the inside edge of the rabbet and the edge of the wood.
6. Turn on the saw and make a second cut.
7. Continue to readjust the blade and cut until the entire rabbet is made.
8. Reinstall the blade guard.

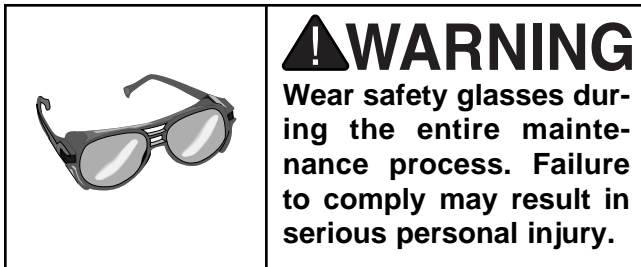
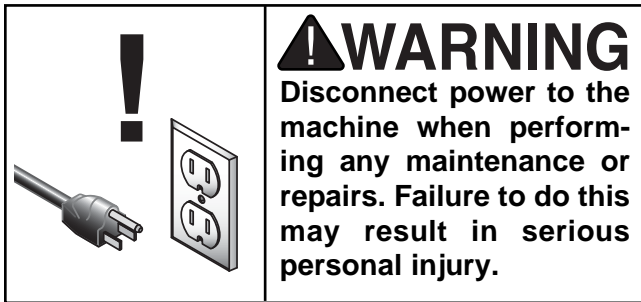


⚠ CAUTION

Instructions on using moulding heads have been intentionally left out. They are very dangerous when not used properly. Considerable skill and training beyond the scope of this manual are required to safely operate a moulding head. Serious personal injury could result if this warning is not followed.

SECTION 7: MAINTENANCE

General



Regular periodic maintenance on your Model G1022 Series will ensure its optimum performance. Make a habit of inspecting your machine each time you use it. Check for the following conditions and repair or replace when necessary:

1. Loose mounting bolts.
2. Worn switch.
3. Worn or damaged cords and plugs.
4. Damaged V-belt.
5. Any other condition that could hamper the safe operation of this machine.
6. Inspect blades for damage.
7. Guard alignment and operation.



Lubrication

The sealed ball bearings in the motor and throughout the Model G1022 Series require no further lubrication during their lifetime. When they do wear out, replacements can be obtained through the Grizzly Parts Department. Lubricate the areas indicated below every 12 months.

1. **Blade angling trunnions.** These should be lubricated with 6 or 7 drops of light machine oil.
2. **Blade height trunnion.** This should also be lubricated with 6 or 7 drops of light machine oil.
3. **The two (2) worm gears** should be lubricated with an automotive wheel bearing grease.



Tables

Tables can be kept rust-free with regular applications of products like Boeshield® T-9. For long term storage you may want to consider products like Kleen Bore's Rust Guardit™.

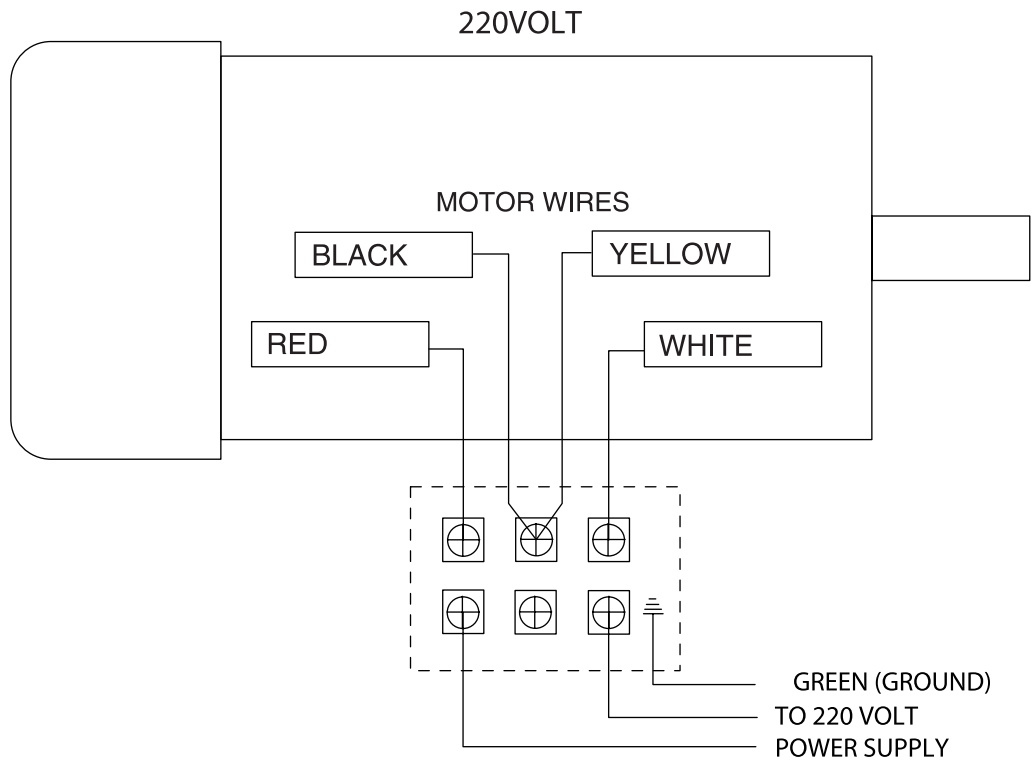
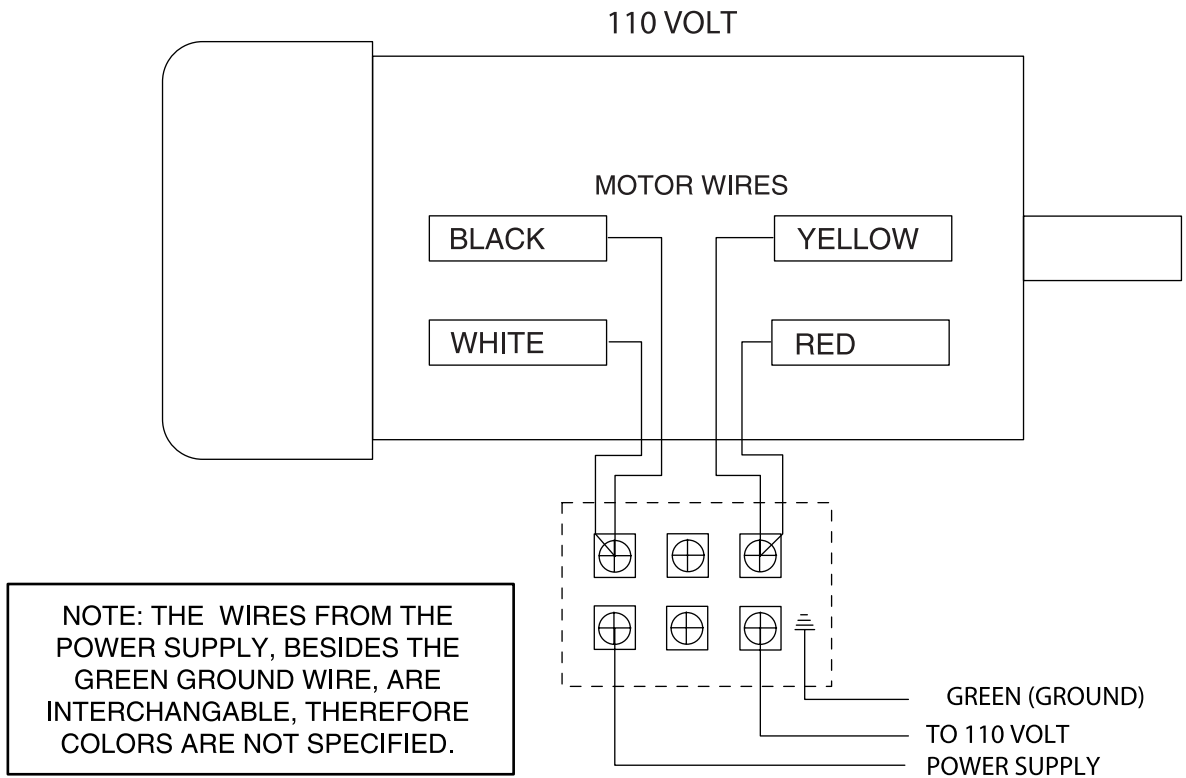


V-Belt

Inspect regularly for tension and wear. Check pulleys to ensure that they are properly aligned. See pulley/V-belt sections for proper tension and pulley alignment procedures.

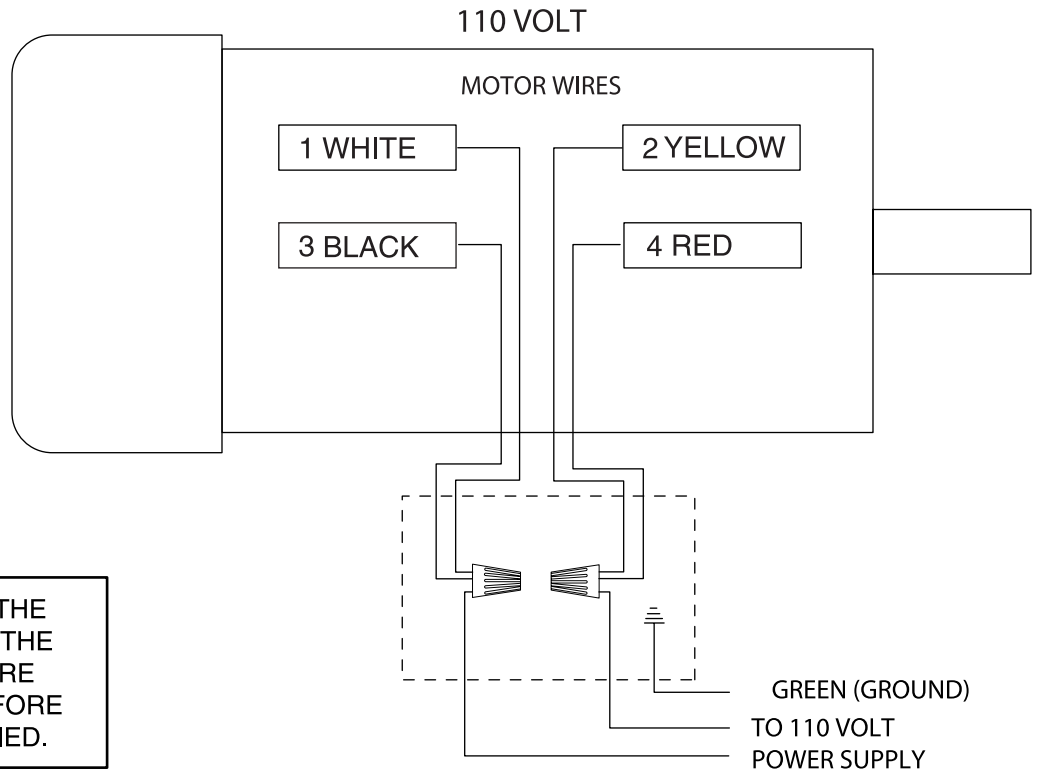


G1022SM AND Z WIRING DIAGRAM

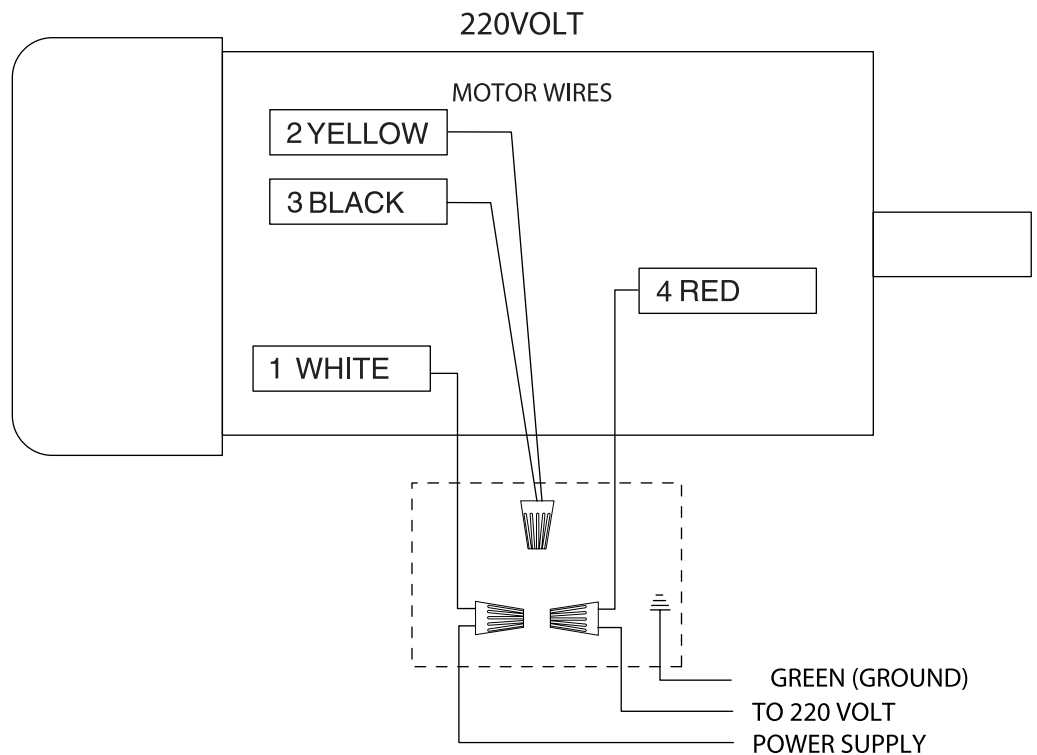


6

G1022ZF, ZFX AND PRO WIRING DIAGRAM



NOTE: THE WIRES FROM THE POWER SUPPLY, BESIDES THE GREEN GROUND WIRE, ARE INTERCHANGABLE, THEREFORE COLORS ARE NOT SPECIFIED.



6-5A

NOTE: Green wire from the cord is grounded to the motor casing.
To reverse rotation, switch the positions of motor wires #5 and #8.

SECTION 8: CLOSURE

The following pages contain general machine data, parts diagrams/lists, a troubleshooting guide and Warranty/Return information for your Model G1022 Series.

If you need parts or help in assembling your machine, or if you need operational information, we encourage you to call our Service Department. Our trained service technicians will be glad to help you.

If you have comments dealing specifically with this manual, please write to our Bellingham, Washington location using the address in **Section 3 Introduction**.

We have included some important safety measures that are essential to this machine's operation. While most safety measures are generally universal, each workshop is different and safety rules should be considered as they apply to your specific situation.

We recommend you keep a copy of our current catalog for complete information regarding warranty and return policy. If you need additional technical information relating to this machine, or if you need general assistance or replacement parts, please contact the Service Department listed in **Section 3 Introduction**.

Additional information sources are necessary to realize the full potential of this machine. Trade journals, woodworking magazines, and your local library are good places to start.

<p>⚠️ WARNING</p> <p>Operating this equipment creates the potential for flying debris to cause eye injury. Always wear safety glasses or goggles when operating equipment. Everyday glasses or reading glasses only have impact resistant lenses, they are not safety glasses. Be certain the safety glasses you wear meet the appropriate standards of the American National Standards Institute (ANSI).</p>		
		

<p>⚠️ WARNING</p> <p>The Model G1022 Series was specifically designed for wood cutting operations. DO NOT MODIFY AND/OR USE THIS MACHINE FOR ANY OTHER PURPOSE. Modifications or improper use of this tool will void the warranty. If you are confused about any aspect of this machine, DO NOT use it until all your questions have been answered or serious personal injury may occur.</p>

<p>⚠️ WARNING</p> <p>Like all power tools, there is danger associated with the Model G1022 Series. Accidents are frequently caused by lack of familiarity or failure to pay attention. Use this tool with respect and caution to lessen the possibility of operator injury. If normal safety precautions are overlooked or ignored, serious personal injury may occur.</p>





MACHINE DATA SHEET

Customer Service #: (570) 546-9663 • To Order Call: (800) 523-4777 • Fax #: (800) 438-5901

GRIZZLY MODEL G1022SM 10" TABLE SAW

Design TypeFloor Model

Overall Dimensions:

Table Height37"
 Table Size27¹/₈" D x 20¹/₈" W
 Size With Extension Wings27¹/₈" D x 40⁵/₈" W
 With Wings and Fence Rails48" W x 44" D
 Miter Gauge T-Slot.....³/₈" x ³/₄"
 Weight (Net).....240 lbs.
 Weight (Shipping).....250 lbs.
 Box # 1 Size.....37¹/₂" L x 23" W x 18¹/₂" H
 Box # 2 Size46" L x 3" W x 1¹/₂" H
 Footprint21" x 25"

Construction:

TableGround Cast Iron
 StandPre-formed Steel
 Miter GaugeAluminum / Steel
 TrunnionsCast Iron
 Bearings.....Shielded and Lubricated Ball Bearings
 Fence Single Lever, Front & Rear Locking w/ Micro Adjust Knob
 Rails44" x 1³/₈" Chrome Plated Tubing
 GuardSteel and Clear Plastic
 WingsFormed Sheet Steel

Cutting Capacity:

Maximum Blade Diameter10"
 Maximum Depth of Cut at 90°3³/₈"
 Blade Tilt0°-45° Right
 Maximum Depth of Cut at 45°2¹/₈"
 Maximum Rip to Right of Blade (Standard).....24"
 Maximum Rip to Right of Blade (Optional Extension Rails)48"
 Maximum Rip to Left of Blade11"
 Distance from Front of Table to Center of Blade17"
 Distance from Front of Table to Front of Blade.....12"
 Maximum Width of Dado Cut1³/₁₆"

Motor:

TypeTEFC Capacitor Start Induction
 Horsepower 1¹/₂ H.P.
 Phase / CycleSingle Phase / 60 HZ
 Voltage.....110 / 220V
 Prewired110V
 Amps16 / 8A
 Hertz and R.P.M.....60Hz / 3450 R.P.M.
 Power TransferBelt Drive
 SwitchON/OFF Push Button

Arbor:

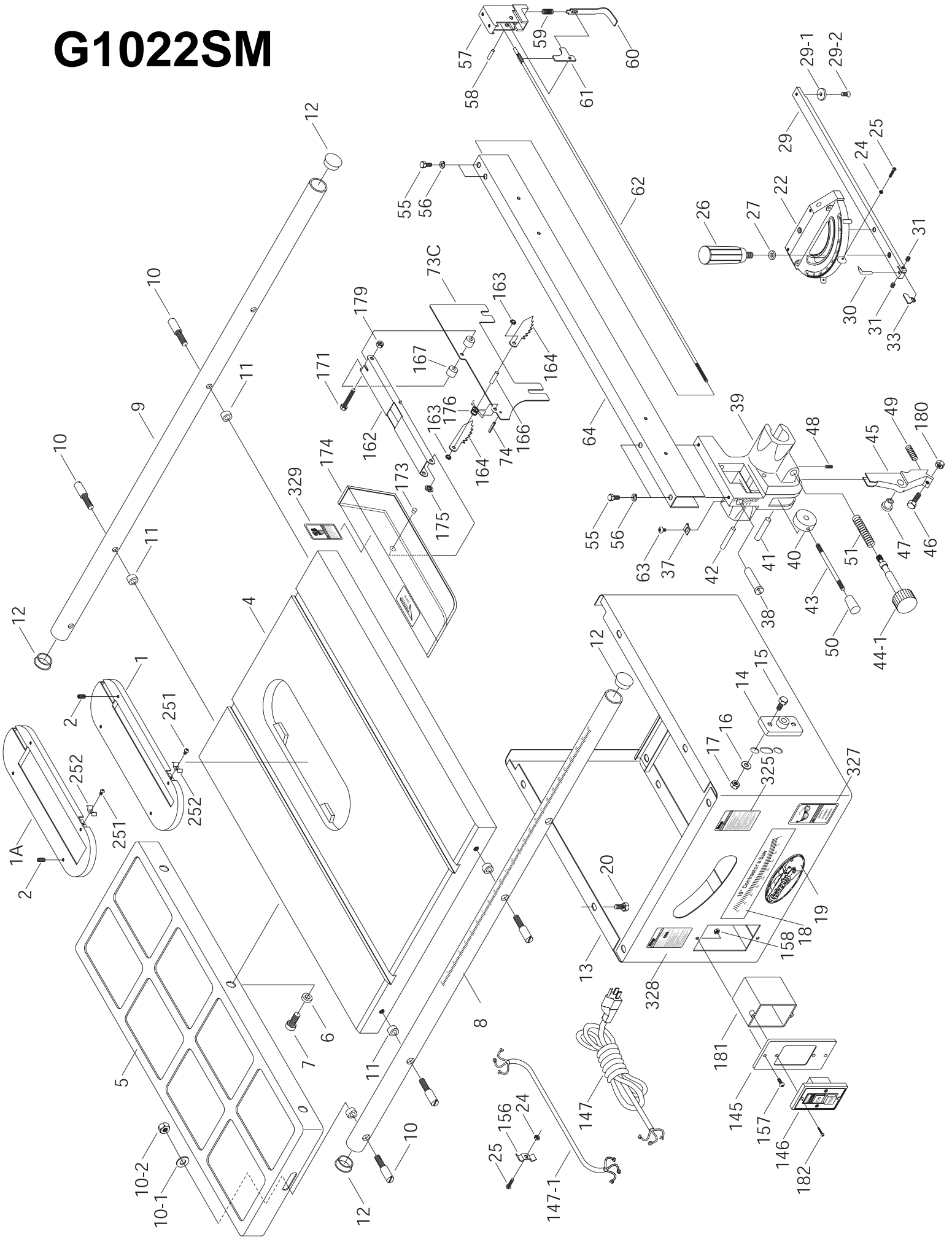
Dimensions⁵/₈" x 1¹/₄"
 Speed4,700 R.P.M.

Features:

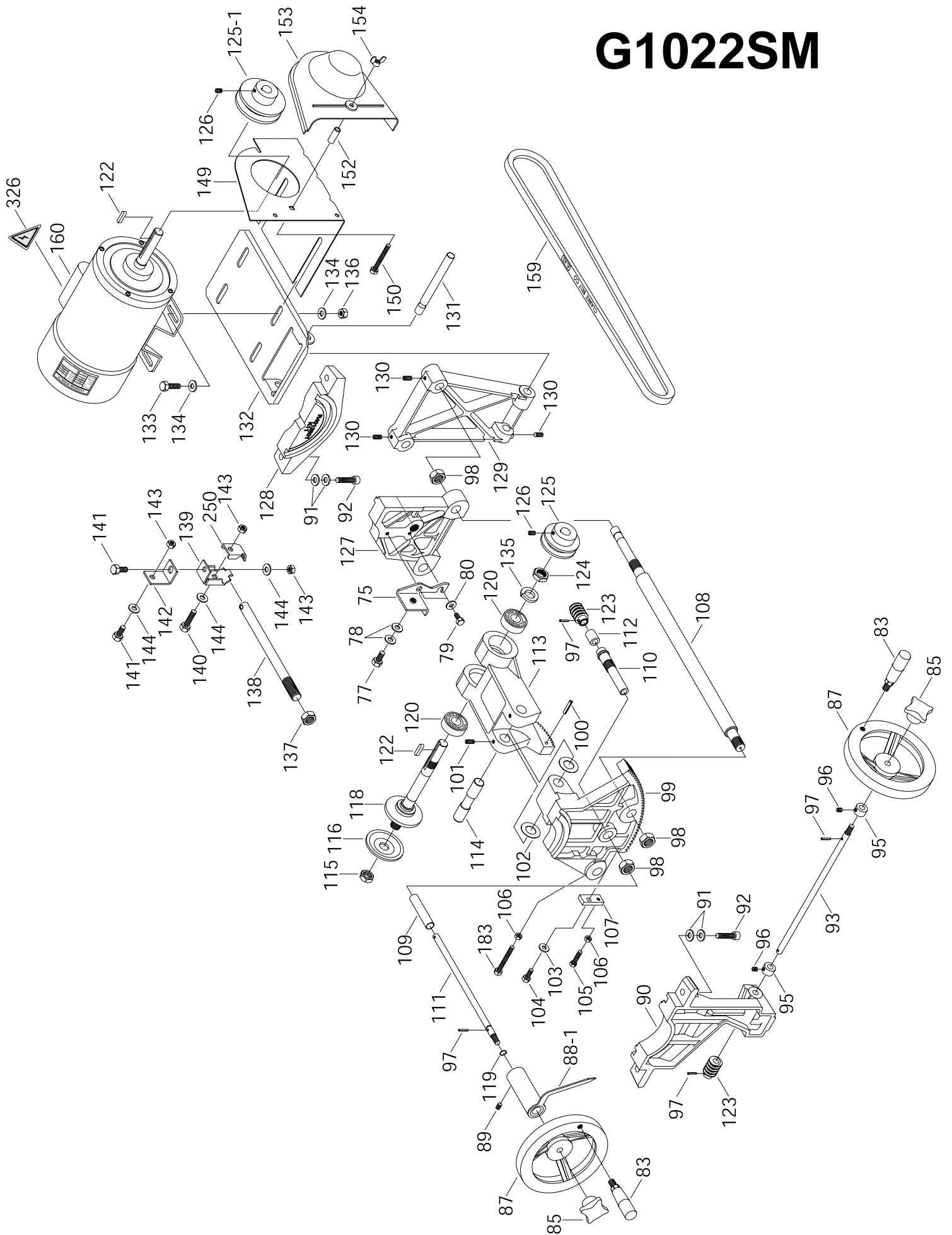
.....Includes Table Inserts for Standard Blade and Dado Blade

Specifications, while deemed accurate, are not guaranteed.

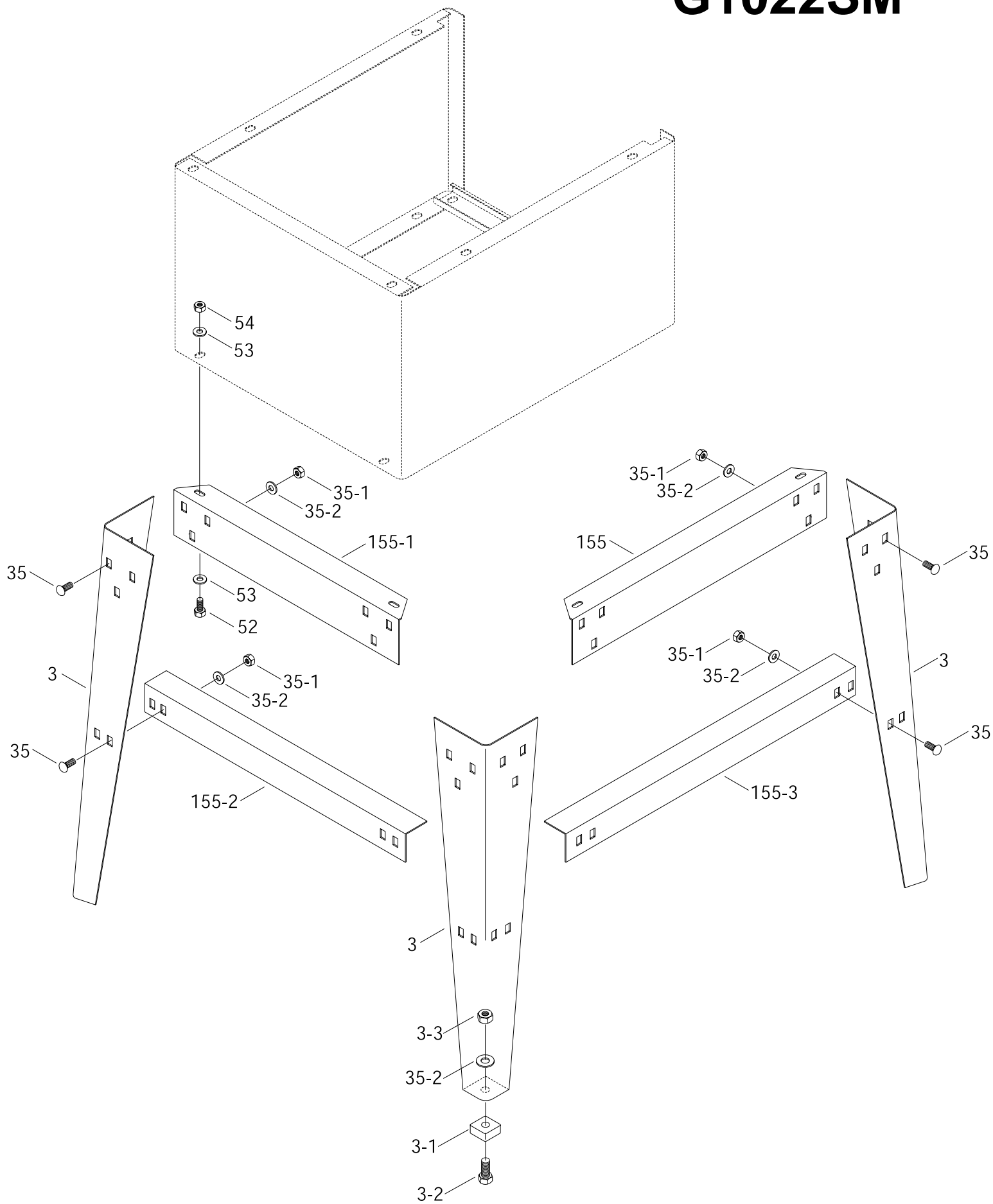
G1022SM



G1022SM



G1022SM



G1022SM PARTS LIST

REF	PART #	DESCRIPTION
1	P1022001	TABLE INSERT
1A	P1022001-A	DADO INSERT
2	PSS04M	SETSCREW M6-1.0 x 12
3	P1022Z003A	STAND LEG
3-1	P1022003-1	FOOT
3-2	PB32M	HEX BOLT M10-1.5 x 25
3-3	PN02M	HEX NUT M10-1.5
4	P1022004	TABLE
5	P1022SM005	SHEET METAL WING
6	PW04M	FLAT WASHER 10MM
7	PB01M	HEX BOLT M10-1.5 x 30
8	P1022008	FRONT GUIDE RAIL
9	P1022009	REAR GUIDE RAIL
10	P1022010	SPECIAL RAIL BOLT
10-1	PW04M	FLAT WASHER 10MM
10-2	PN02M	HEX NUT M10-1.5
11	P1022011	RAIL SPACER
12	P1022012	GUIDE RAIL PLUG
13	P1022013	CABINET
14	P1022014	GEAR BRACKET
15	PB03M	HEX BOLT M8-1.25 x 16
16	PW01M	FLAT WASHER 8MM
17	PN03M	HEX NUT M8-1.25
18	P1022018	TILTING SCALE
19	P1022SM019	LOGO PLATE
20	PB03M	HEX BOLT M8-1.25 x 16
21	PW01M	FLAT WASHER 8MM
22	P1022022	MITER BODY
24	PN04M	HEX NUT M4-0.7
25	PS01M	PHLP HD SCR M4-0.7 x 18
26	P1022026	HAND KNOB
27	P1022SM027	FIBER WASHER
29	P1022029	MITER BAR
29-1	P1022029-1	T-SLOT WASHER
29-2	PFH04M	FLAT HD SCR M6-1.0 x 8
30	P1022030	ANGLE POINTER
31	PSS02M	SETSCREW M6-1.0 x 6
33	P1022033	STOP LINK
35	PCB01M	CARR BOLT M8-1.25x20
35-1	PN03M	HEX NUT M8-1.25
35-2	PW01M	FLAT WASHER 8MM
37	P1022037	WIDTH POINTER
38	P1022038	FENCE ADJUSTER
39	P1022Z039	FRONT CLAMP

REF	PART #	DESCRIPTION
40	P1022040	ECCENTRIC
41	P1022041	SHAFT FOR ECCENTRIC
42	P1022042	SHAFT FOR CLAMP
43	P1022043	LOCK LEVER
44-1	P1022044-1	PINION W/ KNOB
45	P1022045	CLAMP SHOE
46	P1022046	ADJUSTING BOLT
47	P1022047	SHAFT BUSHING
48	PSS02M	SET SCREW M6-1.0 x 6
49	P1022049	SPRING
50	P1022050	HAND KNOB
51	P1022051	SPRING
52	PB03M	HEX BOLT M8-1.25 x 16
53	PW01M	FLAT WASHER 8MM
54	PN03M	HEX NUT M8-1.25
55	PB06M	HEX BOLT M8-1.25 x 12
56	PW01M	FLAT WASHER 8MM
57	P1022057	BLOCK
58	P1022058	PIN
59	P1022059	SPRING
60	P1022060	CLAMP HOOK
61	P1022061	LEVER
62	P1022062	LOCK LINK
63	PS05M	PHLP HD SCR M5-0.8 x 8
64	P1022064	FENCE
73C	P1022073C	SPLITTER
74	PRP20M	ROLL PIN 4 x 22
75	P1022075	BRACKET
77	PB03M	HEX BOLT M8-1.25 x 16
78	PW01M	FLAT WASHER 8MM
79	PB02M	HEX BOLT M6-1.0 x 12
80	PW03M	FLAT WASHER 6MM
83	P1022083	HANDLE
85	P1022085	KNOB
87	P1022087	HANDWHEEL
88-1	P1022088-1	POINTER ASSEMBLY
89	PSS03M	SETSCREW M6-1.0 x 8
90	P1022090	FRONT BRACKET
91	PW01M	FLAT WASHER 8MM
92	PSB13M	CAP SCREW M8-1.25x30
93	P1022093	ANGLE WORM SHAFT
95	P1022095	COLLAR
96	PSS02M	SETSCREW M6-1.0 x 6

G1022SM PARTS LIST

REF	PART #	DESCRIPTION
97	PRP02M	ROLL PIN 3 x 16
98	PN05M	HEX NUT M16-1.5
99	P1022090	FRONT TRUNNION
100	PRP06M	ROLL PIN 5 X 24
101	PSS04M	SET SCR M6 - 1.0 x 12
102	P1022102	WAVY WASHER
103	PW03M	FLAT WASHER 6MM
104	PB08M	HEX BOLT M6-1.0 x 20
105	PB10M	HEX BOLT M6-1.0 x 25
106	PN01M	HEX NUT M6-1.0
107	P1022107	SET PLATE
108	P1022108	LINKING BAR
109	P1022109	SPACER
110	P1022110	ECCENTRIC SLEEVE
111	P1022111	WORM SHAFT
112	P1022112	SPACER
113	P1022113	ARBOR BRACKET
114	P1022114	ARBOR BRACKET PIN
115	P1022115	ARBOR NUT
116	P1022116	FLANGE
118	P1022118	BLADE ARBOR
120	P6203	BEARING 6203-2RS
122	PK01M	KEY 5 x 5 x 22MM
123	P1022123	WORM
124	P1022124	HEX NUT M17
125	P1022125	SPINDLE PULLEY
125-1	P1022125-1	MOTOR PULLEY
126	PSS03M	SETSCREW M6-1.0 x 12
127	P1022127	REAR TRUNNION
128	P1022128	REAR BRACKET
129	P1022129	MOTOR BRACKET
130	PSS04M	SETSCREW M6-1.0 x 12
131	P1022131	MOTOR PLATE ROD
132	P1022132	MOTOR PLATE
133	PB07M	HEX BOLT M8-1.25 x 25
134	PW01M	FLAT WASHER 8MM
135	PLW06	LOCK WASHER 5/8"
136	PN03M	HEX NUT M8-1.25
137	PN05M	HEX NUT M16-1.5
138	P1022138	SHAFT
139	P1022139	BRACKET
140	PB26M	HEX BOLT M8-1.25 x 30

REF	PART #	DESCRIPTION
141	PB03M	HEX BOLT M8-1.25 x 16
142	P1022142	CONNECTING PLATE
143	PN03M	HEX NUT M8-1.25
144	PW01M	FLAT WASHER 8MM
145	P1022145A	SWITCH BRACKET
146	P1022146	SWITCH
147	PWRCRD110S	POWER CORD
147-1	PWRCRD110L	MOTOR CORD
148	P1022148	SPANNER WRENCH
149	P1022149	PULLEY GUARD BRACKET
150	PB10	HEX BOLT 1/4"-20 x 2"
152	P1022152	SLEEVE
153	P1022153	PULLEY COVER
154	PWN02	WING NUT 1/4"-20
155	P1022Z155	UPPER BRACKET - LONG
155-1	P1022Z155-1	UPPER BRACKET - SHORT
155-2	P1022Z155-2	LOWER BRACKET - SHORT
155-3	P1022Z155-3	LOWER BRACKET - LONG
156	P1022156	WIRE CLAMP
157	PS08M	PHLP HD SCR M5-0.8 x 12
158	PN06M	HEX NUT M5-0.8
159	PVA43	V-BELT A-43
160	G2535	MOTOR 1 1/2 H.P.
161	P1022161	STRAIN RELIEF (Not Shown)
162	P1022162	SUPPORTING ARM
163	P1022163	RETAINER
164	P1022164	PAWL
166	P1022Z166	PIN
167	P1022167	SPACER
171	PB47M	HEX BOLT M6-1.0 x 40
173	P1022Z173	PIVOT PIN
174	P1022Z174	GUARD
175	P1022Z175	RETAINER
176	P1022068	SPRING
179	PLN03M	LOCK NUT M6-1.0
180	PN02M	HEX NUT M10-1.5
181	P1022181	SWITCH GUARD
182	PS02M	PHLP HD SCR M4-0.7 X 12
183	PB39M	HEX BOLT M6-1.0 x 50
250	P1022Z250	CLAMP
251	PS05M	PHLP HD SCR M5-0.8 X 8
252	P1022Z252	SPRING
325	P1022SM325	WARNING LABEL
326	P1022SM326	ELECTRICITY LABEL
327	P1022SM327	SAFETY GLASSES LABEL
328	P1022SM328	MACHINE ID LABEL
329	P1022SM329	BLADE GUARD LABEL



MACHINE DATA SHEET

Customer Service #: (570) 546-9663 • To Order Call: (800) 523-4777 • Fax #: (800) 438-5901

GRIZZLY MODEL G1022Z TABLE SAW

Design TypeFloor Model

Overall Dimensions:

Table Height37"
 Table Size27¹/₈" D x 20¹/₈" W
 Table Size With Extension Wings27¹/₈" D x 40⁵/₈" W
 Table With Wings and Fence Rails48" W x 44" D
 Miter Gauge T-Slot.....³/₈" x ³/₄"
 Weight (Net).....240 lbs.
 Weight (Shipping).....250 lbs.
 Box # 1 Size36" L x 18¹/₂" W x 25" H
 Box # 2 Size46" L x 3" W x 2" H
 Box # 3 Size12" L x 12" W x 5" H
 Footprint21" x 25"

Construction:

TableGround Cast Iron
 StandPre-formed Steel
 Miter GaugeAluminum / Steel
 TrunnionsCast Iron
 Bearings.....Shielded and Lubricated Ball Bearings
 FenceSingle Lever ; Front & Rear Locking w/ Micro Adjust Knob;
Heavy Extruded Aluminum with Tee Slot Top
 Rails44" x 1³/₈" Chrome Plated Tubing
 GuardSteel and Clear Plastic
 Wings.....Ground Cast Iron, Open Ribbed Design

Cutting Capacity:

Maximum Blade Diameter10"
 Maximum Depth of Cut at 90°3¹/₈"
 Blade Tilt0°-45° Right
 Maximum Depth of Cut at 45°2¹/₈"
 Maximum Rip to Right of Blade (Standard).....24"
 Maximum Rip to Right of Blade (Optional Extension Rails)48"
 Maximum Rip to Left of Blade11"
 Distance from Front of Table to Center of Blade17"
 Distance from Front of Table to Front of Blade.....12"
 Maximum Width of Dado Cut¹³/₁₆"

Motor:

TypeTEFC Capacitor Start Induction
 Horsepower 1¹/₂ H.P.
 Phase / CycleSingle Phase / 60 HZ
 Voltage.....110 / 220V
 Prewired110V
 Amps16 / 8A
 Hertz and R.P.M.....60Hz / 3450 R.P.M.
 Power TransferBelt Drive
 SwitchON/OFF Push Button

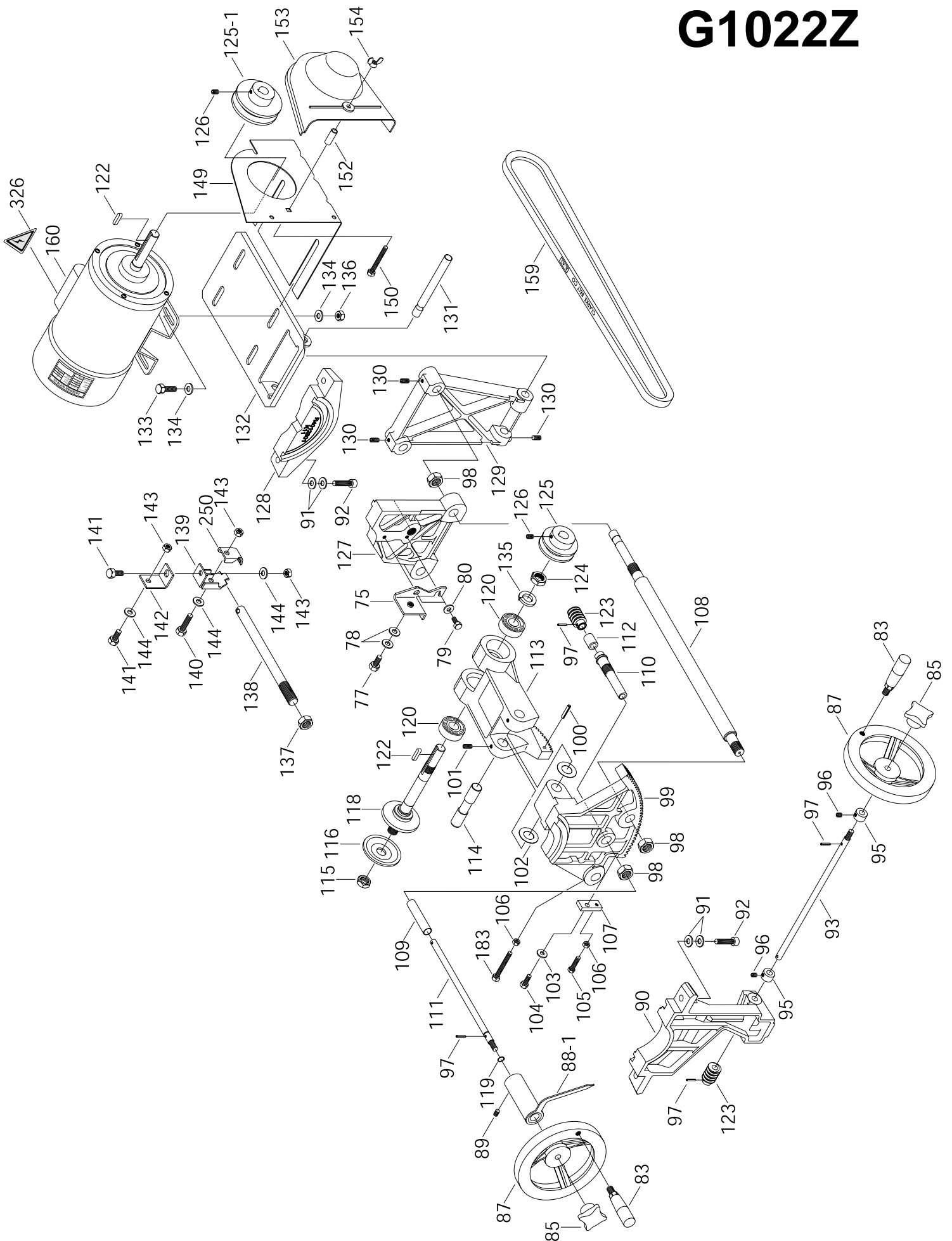
Arbor:

Dimension.....⁵/₈" x 1¹/₄"
 Speed4,700 R.P.M.

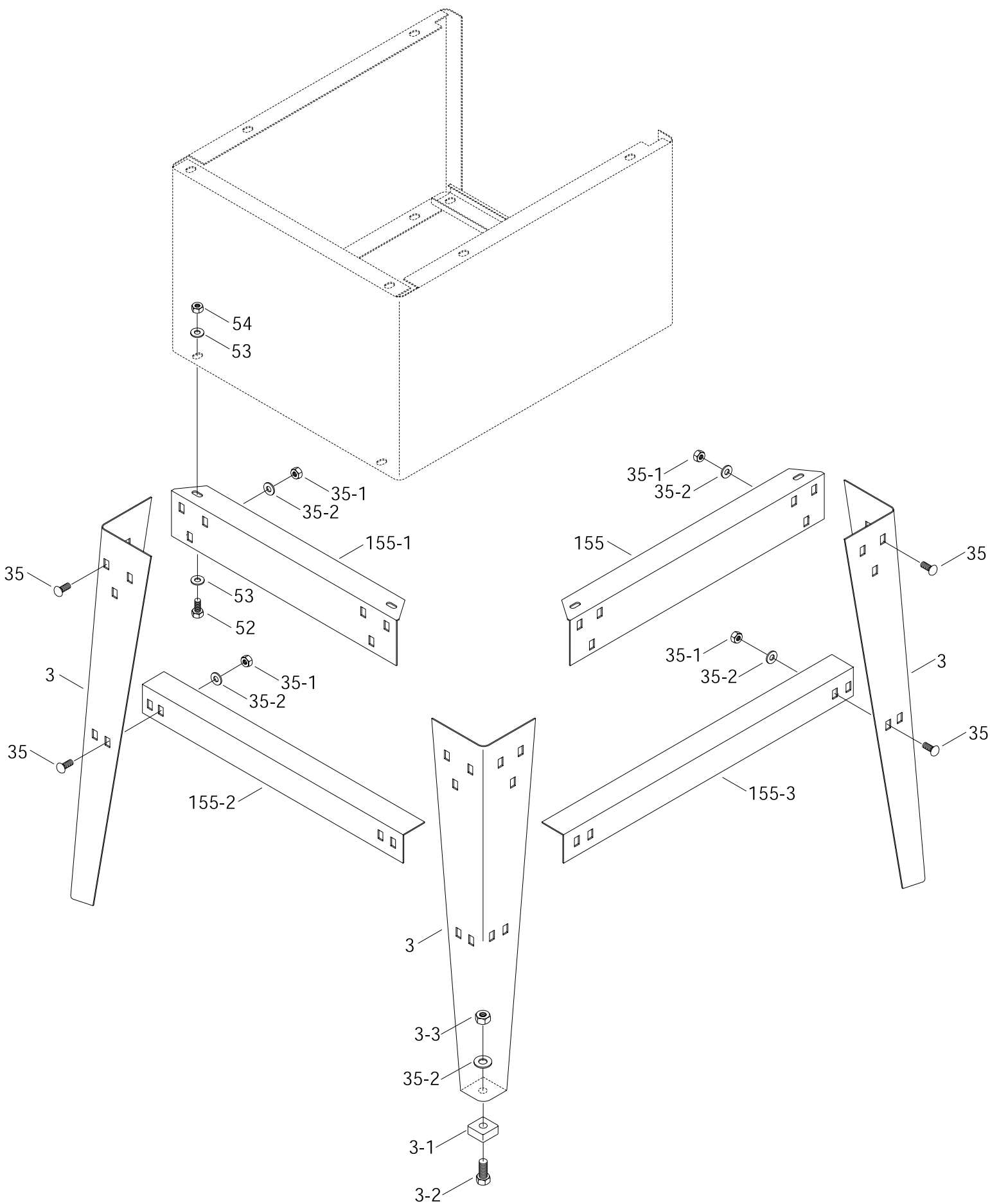
Features:

.....Includes Table Inserts for Standard Blade and Dado Blade
Specifications, while deemed accurate, are not guaranteed.

G1022Z



G1022Z



G1022Z PARTS LIST

REF	PART #	DESCRIPTION
1	P1022001	TABLE INSERT
1A	P1022001-A	DADO INSERT
2	PSS04M	SETSCREW M6-1.0 x 12
3A	P1022Z003A	STAND LEG
3-1	P1022003-1	FOOT
3-2	PB32M	HEX BOLT M10-1.5 x 25
3-3	PN02M	HEX NUT M10-1.5
4	P1022004	TABLE
5	G1193	EXTENSION WING
6	PW04M	FLAT WASHER 10MM
7	PB01M	HEX BOLT M10-1.5 x 30
8	P1022Z008	FRONT GUIDE RAIL
9	P1022009	REAR GUIDE RAIL
10	P1022010	SPECIAL RAIL BOLT
10-1	PW04M	FLAT WASHER 10MM
10-2	PN02M	HEX NUT M10-1.5
11	P1022011	RAIL SPACER
12	P1022012	GUIDE RAIL PLUG
13	P1022013	CABINET
14	P1022014	GEAR BRACKET
15	PB03M	HEX BOLT M8-1.25 x 16
16	PW01M	FLAT WASHER 8MM
17	PN03M	HEX NUT M8-1.25
18	P1022018	TILTING SCALE
19	P1022SM019	LOGO PLATE
20	PB03M	HEX BOLT M8-1.25 x 16
21	PW01M	FLAT WASHER 8MM
22	P1022Z022	MITER BODY
24	PN04M	HEX NUT M4-0.7
25	PS01M	PHLP HD SCR M4 - 0.7 x 18
26	P1022026	HAND KNOB
27	P1022SM027	FIBER WASHER
29	P1022029	MITER BAR
29-1	P1022029-1	T-SLOT WASHER
29-2	PFH04M	FLAT HD SCR M6-1.0 x 8
30	P1022030	ANGLE POINTER
31	PSS02M	SETSCREW M6-1.0 x 6
33	P1022033	STOP LINK
35	PCB01M	CARR. BOLT M8-1.25 x 20
35-1	PN03M	HEX NUT M8-1.25
35-2	PW01M	FLAT WASHER 8MM
37	P1022Z037	WIDTH POINTER
38	P1022038	FENCE ADJUSTER
39	P1022Z039	FRONT CLAMP
40	P1022040	ECCENTRIC

REF	PART #	DESCRIPTION
41	P1022041	SHAFT FOR ECCENTRIC
42	P1022042	SHAFT FOR CLAMP
43	P1022Z043	LOCK LEVER
44-1	P1022044-1	PINION W/ KNOB
45	P1022045	CLAMP SHOE
46	P1022046	ADJUSTING BOLT
47	P1022047	SHAFT BUSHING
48	PSS02M	SET SCR M6-1.0 x 6
49	P1022049	SPRING
51	P1022051	SPRING
52	PB03M	HEX BOLT M8-1.25 x 16
53	PW01M	FLAT WASHER 8MM
54	PN03M	HEX NUT M8-1.25
55	PSB52M	CAP SCR M8-1.25 x 10
56	PW01M	FLAT WASHER 8MM
57	P1022057	BLOCK
58	P1022058	PIN
59	P1022059	SPRING
60	P1022060	CLAMP HOOK
61	P1022061	LEVER
62	P1022062	LOCK LINK
63	PS05M	PHLP HD SCR M5-0.8 x 8
64	P1022Z064	FENCE
73C	P1022073C	SPLITTER
74	PRP20M	ROLL PIN 4 x 22
75	P1022075	BRACKET
77	PB03M	HEX BOLT M8-1.25 x 16
78	PW01M	FLAT WASHER 8MM
79	PB02M	HEX BOLT M6-1.0 x 12
80	PW03M	FLAT WASHER 6MM
83	P1022083	HANDLE
85	P1022085	KNOB
87	P1022087	HANDWHEEL
88-1	P1022088-1	POINTER ASSEMBLY
89	PSS03M	SETSCREW M6-1.0 x 8
90	P1022090	FRONT BRACKET
91	PW01M	FLAT WASHER 8MM
92	PSB13M	CAP SCR M8-1.25 x 30
93	P1022093	ANGLE WORM SHAFT
95	P1022095	COLLAR
96	PSS02M	SETSCREW M6-1.0 x 6
97	PRP02M	ROLL PIN 3 x 16
98	PN05M	HEX NUT M16-1.5
99	P1022099	FRONT TRUNNION

G1022Z PARTS LIST

REF	PART #	DESCRIPTION
100	PRP06M	ROLL PIN 5 X 24
101	PSS04M	SET SCR M6 - 1.0 x 12
102	P1022102	WAVY WASHER
103	PW03M	FLAT WASHER 6MM
104	PB08M	HEX BOLT M6-1.0 x 20
105	PB10M	HEX BOLT M6-1.0 x 25
106	PN01M	HEX NUT M6-1.0
107	P1022107	SET PLATE
108	P1022108	LINKING BAR
109	P1022109	SPACER
110	P1022110	ECCENTRIC SLEEVE
111	P1022111	WORM SHAFT
112	P1022112	SPACER
113	P1022113	ARBOR BRACKET
114	P1022114	ARBOR BRACKET PIN
115	P1022115	ARBOR NUT
116	P1022116	FLANGE
118	P1022118	BLADE ARBOR
120	P6203	BEARING 6203-2RS
122	PK01M	KEY 5 x 5 x 22M
123	P1022123	WORM
124	P1022124	HEX NUT M17
125	P1022125	SPINDLE PULLEY
125-1	P1022125-1	MOTOR PULLEY
126	PSS03M	SETSCREW M6-1.0 x 12
127	P1022127	REAR TRUNNION
128	P1022128	REAR BRACKET
129	P1022129	MOTOR BRACKET
130	PSS04M	SETSCREW M6-1.0 x 12
131	P1022131	MOTOR PLATE ROD
132	P1022132	MOTOR PLATE
133	PB07M	HEX BOLT M8-1.25 x 25
134	PW01M	FLAT WASHER 8MM
135	PLW06	LOCK WASHER 5/8"
136	PN03M	HEX NUT M8-1.25
137	PN05M	HEX NUT M16-1.5
138	P1022138	SHAFT
139	P1022139	BRACKET
140	PB26M	HEX BOLT M8-1.25 x 30
141	PB03M	HEX BOLT M8-1.25 x 16
142	P1022142	CONNECTING PLATE
143	PN03M	HEX NUT M8-1.25
144	PW01M	FLAT WASHER 8MM

REF	PART #	DESCRIPTION
145	P1022145A	SWITCH BRACKET
146	P1022146	SWITCH
147	PWRCRD110S	POWER CORD
147-1	PWRCRD110L	MOTOR CORD
148	P1022148	SPANNER WRENCH
149	P1022149	PULLEY GUARD BRACKET
150	PB10	HEX BOLT 1/4"-20 x 2"
152	P1022152	SLEEVE
153	P1022153	PULLEY COVER
154	PWN02	WING NUT 1/4"-20
155	P1022Z155	UPPER BRACKET - LONG
155-1	P1022Z155-1	UPPER BRACKET - SHORT
155-2	P1022Z155-2	LOWER BRACKET - SHORT
155-3	P1022Z155-3	LOWER BRACKET - LONG
156	P1022156	WIRE CLAMP
157	PS08M	PHLP HD SCR M5-0.8 x 12
158	PN06M	HEX NUT M5-0.8
159	PVA43	V-BELT A-43
160	G2535	MOTOR 1 1/2 H.P.
161	P1022Z161	STRAIN RELIEF (Not Shown)
162	P1022Z162	SUPPORTING ARM
163	P1022Z163	RETAINER
164	P1022069	PRAWL
166	P1022Z166	PIN
167	P1022164	SPACER
171	PB47M	HEX BOLT M6-1.0 x 40
173	P1022Z173	PIVOT PIN
174	P1022Z174	GUARD
175	P1022Z175	RETAINER
176	P1022068	SPRING
179	PLN03M	LOCK NUT M6-1.0
180	PN02M	HEX NUT M10-1.5
181	P1022Z181	SWITCH GUARD
182	PS02M	PHLP HD SCR M4-0.7 X 12
183	PB39M	HEX BOLT M6-1.0 x 50
185	PN01M	HEX NUT M6-1.0
186	G3121	SCALE
187	P1022Z187	SPACER
188	PFH08M	FLAT HD SCR M8-1.25 x 12
250	P1022Z250	CLAMP
251	PS05M	PHLIP HD SCR M5-0.8 X 8
252	P1022Z252	SPRING W/ CLIP
325	P1022SM325	WARNING LABEL
326	P1022SM326	ELECTRICITY LABEL
327	P1022SM327	SAFETY GLASSES LABEL
328	P1022Z328	MACHINE ID LABEL
329	P1022SM329	BLADE GUARD LABEL



MACHINE DATA SHEET

Customer Service #: (570) 546-9663 • To Order Call: (800) 523-4777 • Fax #: (800) 438-5901

GRIZZLY MODEL G1022ZF/ZFX/PRO TABLE SAW

Design TypeFloor Model

Overall Dimensions:

Table Height37"
 Table Size27¹/₈" D x 20¹/₈" W
 Table Size With Extension Wings27¹/₈" D x 40⁵/₈" W
 Overall Dimensions – With Wings and Fence Rails50" D x 52¹/₂" W
 Miter Gauge T-Slot³/₈" x ³/₄"
 Blade Tilt0°-45° Right
 Weight (Net)325 lbs.
 Weight (Shipping).....340 lbs.
 Box # 1 Size (Base).....37¹/₂" L x 22" W x 22¹/₂" H
 Box # 2 Size (Fence)49" L x 15¹/₂" W x 9" H
 Box # 3 Size (Accessories)14" L x 14" W x 6" H
 Box # 4 Size (Motor)10¹/₄" L x 16" W x 9³/₄" H
 Footprint21" x 25"

Construction:

TableGround Cast Iron
 StandPre-formed Steel
 Miter GaugeCast Iron / Steel; Adjusts for Side Play
 TrunnionsCast Iron
 Bearings.....Shielded and Lubricated Ball Bearings
 FenceShop Fox® Fence
 GuardSteel and Clear Plastic
 Wings.....Ground Cast Iron; Open Ribbed Design

Cutting Capacity:

Maximum Blade Diameter10"
 Maximum Depth of Cut at 90°3¹/₈"
 Maximum Depth of Cut at 45°2¹/₈"
 Maximum Rip to Right of Blade (Standard).....25"
 Maximum Rip to Right of Blade (Optional Extension Rails)48"
 Maximum Rip to Left of Blade11"
 Distance from Front of Table to Center of Blade17¹/₄"
 Distance from Front of Table to Front of Blade12¹/₂"
 Maximum Width of Dado Cut1³/₁₆"

Motor:

	ZF	ZFX	PRO
Type.....	TEFC Capacitor Start Induction.....		
Horsepower.....	1 ¹ / ₂ H.P.....	2 H.P.....	2 H.P.....
Phase / Cycle.....	Single Phase / 60 HZ.....		
Voltage.....	110 / 220V.....		
Prewired.....	110V.....	220V.....	220V.....
Amps.....	17 / 8.5A.....	26 / 13A.....	26 / 13A.....
R.P.M.....	3450 R.P.M.....		
Power Transfer.....	Power Twist® Link Belt Drive.....		
Switch.....	ON/OFF Push Button.....		

Arbor:

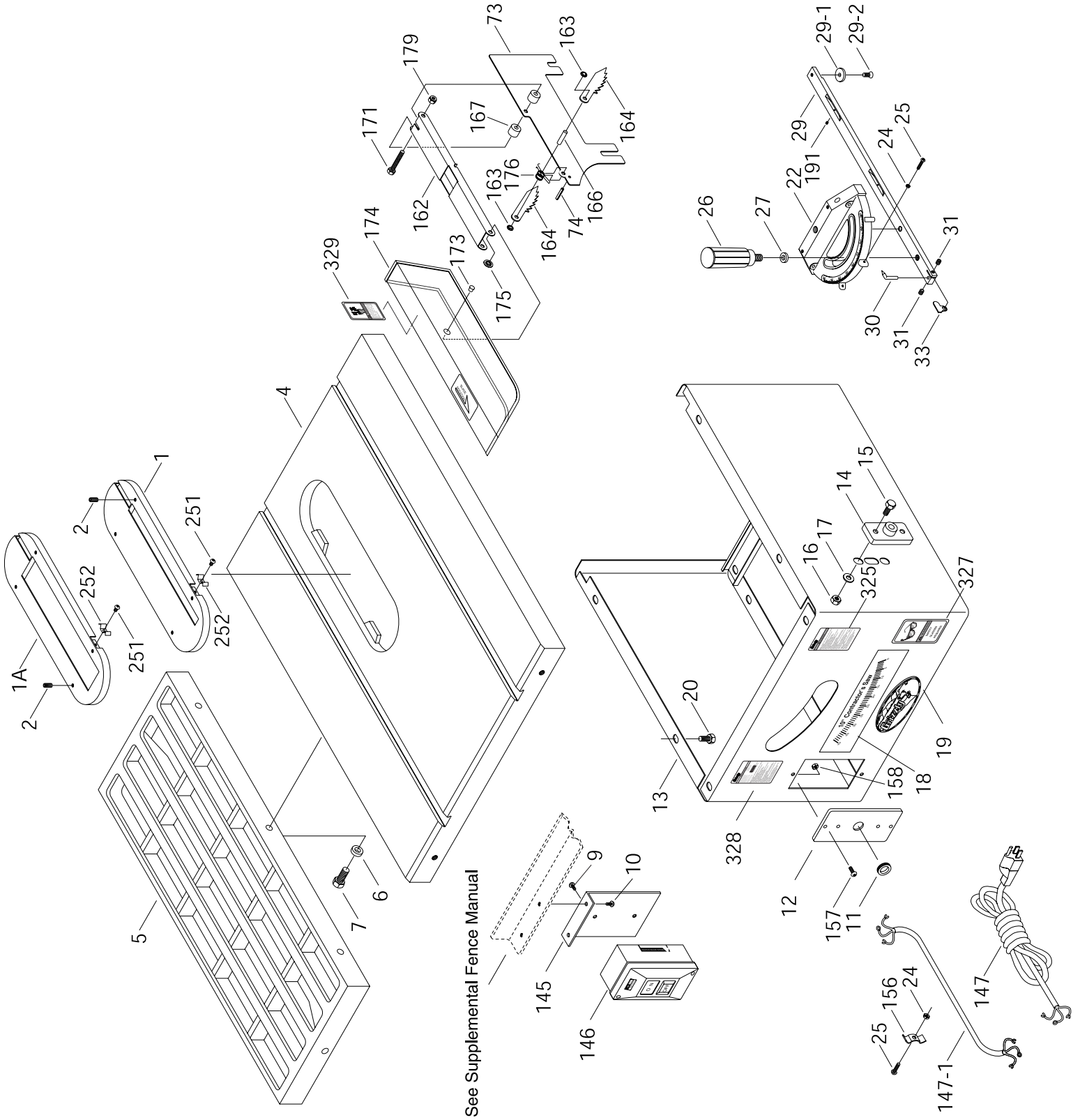
Dimension.....⁵/₈" x 1¹/₄"
 Speed4,700 R.P.M.

Features:

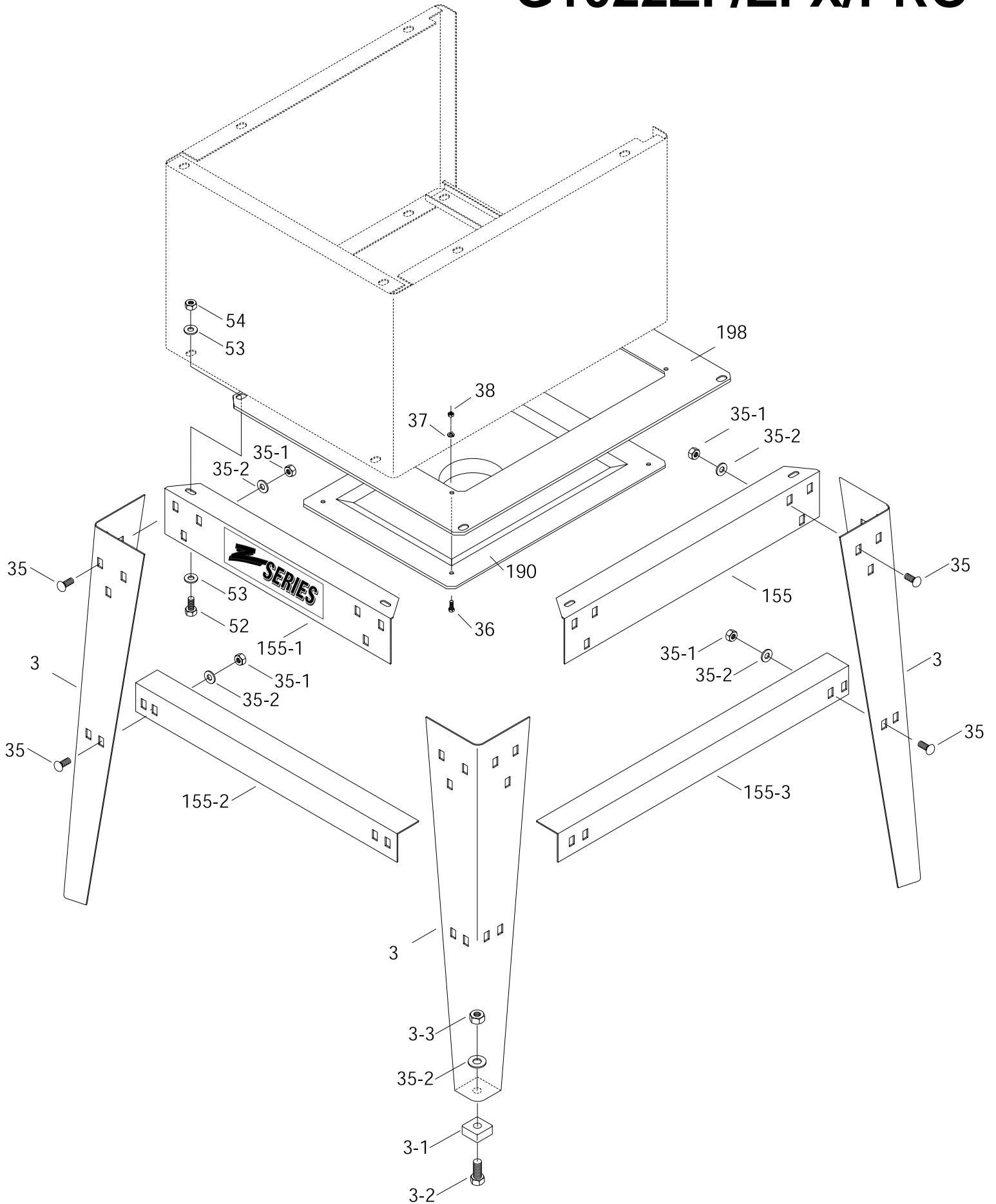
.....Includes Table Inserts for Standard Blade and Dado Blade
U.S.A. Motor, 4" Ported Dust Hood, Link Belt, Rail Mounted Switch

Specifications, while deemed accurate, are not guaranteed.

G1022ZF/ZFX/PRO



G1022ZF/ZFX/PRO



G1022ZF/ZFX/PRO PARTS LIST

REF	PART #	DESCRIPTION
1	P1022ZF001	TABLE INSERT
1A	P1022001-A	DADO INSERT
2	PSS04M	SETSCREW M6-1.0 x 12
3A	P1022Z003A	STAND LEG
3-1	P1022003-1	FOOT
3-2	PB32M	HEX BOLT M10-1.5 x 25
3-3	PN02M	HEX NUT M10-1.5
4	P1022ZF004	TABLE
5	G1193	EXTENSION WING
6	PW04M	FLAT WASHER 10MM
7	PB01M	HEX BOLT M10-1.5 x 30
9	P1022ZF009	SPECIAL SCR
10	P1022ZF010	SPECIAL SCR
11	P1022ZF011	RUBBER GROMMET
12	P1022ZF012	SWITCH CORD PLATE
13	P1022013	CABINET
14	P1022014	GEAR BRACKET
15	PB03M	HEX BOLT M8-1.25 x 16
16	PW01M	FLAT WASHER 8MM
17	PN03M	HEX NUT M8-1.25
18	P1022018	TILTING SCALE
19	P1022SM019	PLATE LOGO
20	PB03M	HEX BOLT M8-1.25 x 16
21	PW01M	FLAT WASHER 8MM
22	P1022022	MITER BODY
24	PN04M	HEX NUT M4-0.7
25	PS01M	PHLP HD SCR M4 - 0.7 x 18
26	P1022026	HAND KNOB
27	P1022SM027	FIBER WASHER
29	P1022ZF029	ADJUSTABLE MITER BAR
29-1	P1022029-1	T-SLOT WASHER
29-2	PFH04M	FLAT HD SCR M6-1.0 x 8
30	P1022030	ANGLE POINTER
31	PSS02M	SETSCREW M6-1.0 x 6
33	P1022033	STOP LINK
35	PCB01M	CARR. BOLT M8-1.25 x 20
35-1	PN03M	HEX NUT M8-1.25
35-2	PW01M	FLAT WASHER 8MM
36	PB68	HEX BOLT 10-24 X 3/8"
37	PW03	LOCK WASHER #10
38	PN25	HEX NUT 10-24
52	PB03M	HEX BOLT M8-1.25 x 16
53	PW01M	FLAT WASHER 8MM
54	PN03M	HEX NUT M8-1.25
73C	P1022073C	SPLITTER
74	PRP20M	ROLL PIN 4 x 22
75	P1022075	BRACKET
77	PB03M	HEX BOLT M8-1.25 x 16
78	PW01M	FLAT WASHER 8MM

REF	PART #	DESCRIPTION
79	PB02M	HEX BOLT M6-1.0 x 12
80	PW03M	FLAT WASHER 6MM
83	P1022083	HANDLE
85	P1022085	KNOB
87	P1022087	HANDWHEEL
88-1	P1022088-1	POINTER ASSEMBLY
89	PSS03M	SETSCREW M6-1.0 x 8
90	P1022090	FRONT BRACKET
91	PW01M	FLAT WASHER 8MM
92	PSB13M	CAP SCR M8-1.25 x 30
93	P1022093	ANGLE WORM SHAFT
95	P1022095	COLLAR
96	PSS02M	SETSCREW M6-1.0 x 6
97	PRP02M	ROLL PIN 3 x 16
98	PN05M	HEX NUT M16-1.5
99	P1022099	FRONT TRUNNION
100	PRP06M	ROLL PIN 5 X 24
101	PSS04M	SET SCR M6 - 1.0 x 12
102	P1022102	WAVY WASHER
103	PW03M	FLAT WASHER 6MM
104	PB08M	HEX BOLT M6-1.0 x 20
105	PB10M	HEX BOLT M6-1.0 x 25
106	PN01M	HEX NUT M6-1.0
107	P1022107	SET PLATE
108	P1022108	LINKING BAR
109	P1022109	SPACER
110	P1022110	ECCENTRIC SLEEVE
111	P1022111	WORM SHAFT
112	P1022112	SPACER
113	P1022113	ARBOR BRACKET
114	P1022114	ARBOR BRACKET PIN
115	P1022115	ARBOR NUT
116	P1022116	FLANGE
118	P1022118	BLADE ARBOR
120	P6203	BEARING 6203-2RS
122	PK01M	KEY 5 x 5 x 22M
123	P1022123	WORM
124	P1022124	HEX NUT M17
125	P1022125	SPINDLE PULLEY
125-1	P1022125-1	MOTOR PULLEY
126	PSS03M	SETSCREW M6-1.0 x 12
127	P1022127	REAR TRUNNION
128	P1022128	REAR BRACKET
129	P1022129	MOTOR BRACKET
130	PSS04M	SETSCREW M6-1.0 x 12
131	P1022131	MOTOR PLATE ROD
132	P1022132	MOTOR PLATE
133	PB07M	HEX BOLT M8-1.25 x 25
134	PW01M	FLAT WASHER 8MM

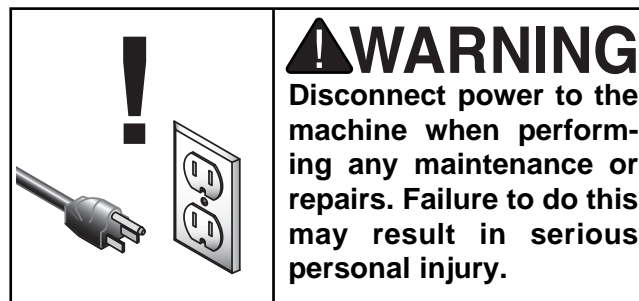
G1022ZF/ZFX/PRO PARTS LIST

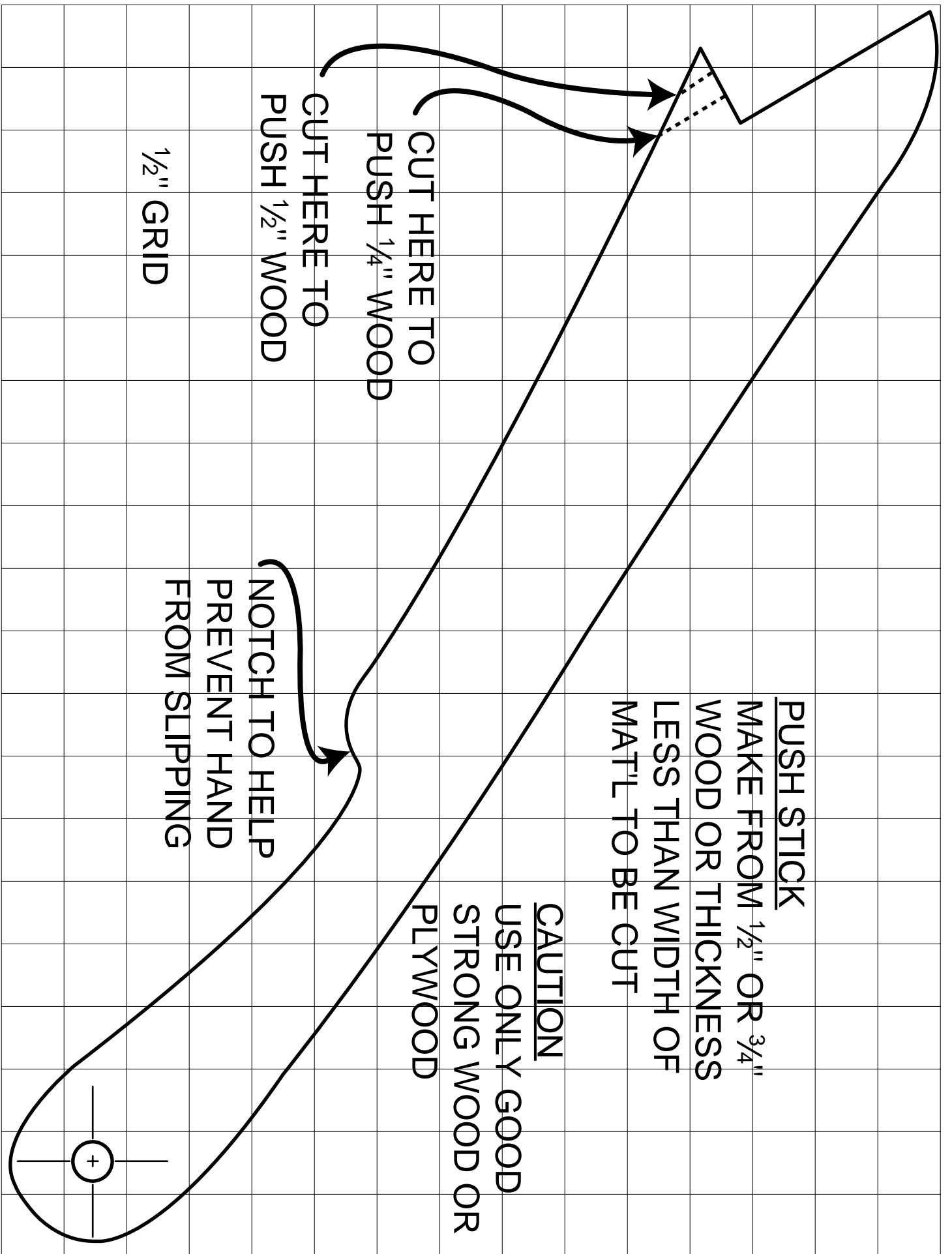
REF	PART #	DESCRIPTION
135	PLW06	LOCK WASHER 5/8"
136	PN03M	HEX NUT M8-1.25
137	PN05M	HEX NUT M16-1.5
138	P1022138	SHAFT
139	P1022139	BRACKET
140	PB26M	HEX BOLT M8-1.25 x 30
141	PB03M	HEX BOLT M8-1.25 x 16
142	P1022142	CONNECTING PLATE
143	PN03M	HEX NUT M8-1.25
144	PW01M	FLAT WASHER 8MM
145	P1022ZF145	SWITCH L-BRACKET
146	P1022ZF146	SWITCH
147	PWRCRD110S	POWER CORD
147-1	PWRCRD110L	MOTOR CORD
148	P1022148	SPANNER WRENCH
149	P1022149	PULLEY GUARD BRACKET
150	PB10	HEX BOLT 1/4"-20 x 2"
152	P1022152	SLEEVE
153	P1022153	PULLEY COVER
154	PWN02	WING NUT 1/4"-20
155	P1022Z155	UPPER BRACKET - LONG
155-1	P1022Z155-1	UPPER BRACKET - SHORT
155-2	P1022Z155-2	LOWER BRACKET - SHORT
155-3	P1022Z155-3	LOWER BRACKET - LONG
156	P1022156	WIRE CLAMP
157	PS08M	PHLP HD SCR M5-0.8 x 12
158	PN06M	HEX NUT M5-0.8
159	P1022ZF159	POWER TWIST BELT
160A	G5009	1.5 HP USA MOTOR
160B	G4192	2.0 HP USA MOTOR
161	P1022161	STRAIN RELIEF (Not Shown)
162	P1022Z162	SUPPORTING ARM
163	P1022Z163	RETAINER
164	P1022069	PRAWL
166	P1022Z166	PIN
167	P1022164	SPACER
171	PB47M	HEX BOLT M6-1.0 x 40
173	P1022Z173	PIVOT PIN
174	P1022Z174	GUARD
175	P1022Z175	RETAINER
176	P1022068	SPRING
179	PLN03M	LOCK NUT M6-1.0
180	PN02M	HEX NUT M10-1.5
182	PS02M	PHLP HD SCR M4-0.7 X 12
183	PB39M	HEX BOLT M6-1.0 x 50
189	P1022ZF189	DUST PORT ADAPTER
190	P1022ZF190	DUST PORT
250	P1022Z250	CLAMP
251	PS05M	PHLP HD SCR M5-0.8 X 8

REF	PART #	DESCRIPTION
252	P1022Z252	SPRING
325	P1022SM325	WARNING LABEL
326	P1022SM326	ELECTRICITY LABEL
327	P1022SM327	SAFETY GLASSES LABEL
328	P1022ZF328	MACHINE ID LABEL G1022ZF
328	P1022ZFX328	MACHINE ID LABEL G1022ZFX
328	P1022PRO328	MACHINE ID LABEL G1022PRO
329	P1022SM329	BLADE GUARD LABEL

TROUBLESHOOTING GUIDE

SYMPTOM	POSSIBLE CAUSE	CORRECTIVE ACTION
Motor will not start.	<ol style="list-style-type: none"> 1. Low voltage. 2. Open circuit in motor or loose connections. 	<ol style="list-style-type: none"> 1. Check power line for proper voltage. 2. Inspect all lead connections on motor for loose or open connections.
Motor will not start; fuses or circuit breakers blow.	<ol style="list-style-type: none"> 1. Short circuit in line cord or plug. 2. Short circuit in motor or loose connections. 3. Incorrect fuses or circuit breakers in power line. 	<ol style="list-style-type: none"> 1. Inspect cord or plug for damaged insulation and shorted wires. 2. Inspect all connections on motor for loose or shorted terminals or worn insulation. 3. Install correct fuses or circuit breakers.
Motor overheats.	<ol style="list-style-type: none"> 1. Motor overloaded. 2. Air circulation through the motor restricted. 	<ol style="list-style-type: none"> 1. Reduce load on motor. 2. Clean out motor to provide normal air circulation.
Motor stalls (resulting in blown fuses or tripped circuit).	<ol style="list-style-type: none"> 1. Short circuit in motor or loose connections. 2. Low voltage. 3. Incorrect fuses or circuit breakers in power line. 4. Motor overloaded. 	<ol style="list-style-type: none"> 1. Inspect connections on motor for loose or shorted terminals or worn insulation. 2. Correct the low voltage conditions. 3. Install correct fuses or circuit breakers. 4. Reduce load on motor.
Machine slows when operating.	Applying too much pressure to workpiece.	Feed workpiece slower.
Loud, repetitious noise coming from machine.	<ol style="list-style-type: none"> 1. Pulley setscrews or keys are missing or loose. 2. Motor fan is hitting the cover. 3. V-belts are defective 	<ol style="list-style-type: none"> 1. Inspect keys and setscrews. Replace or tighten if necessary. 2. Tighten fan or shim cover. 3. Replace V-belts. See Maintenance.
Blade is not square w/miter slot or fence is not square to blade.	<ol style="list-style-type: none"> 1. Blade is warped. 2. Table top is not parallel to blade. 3. Fence is not parallel to blade. 	<ol style="list-style-type: none"> 1. Replace blade. 2. Make table parallel to blade. See Adjustments. 3. Make fence parallel to blade. See Adjustments.
Fence hits table top when sliding on to the table.	<ol style="list-style-type: none"> 1. Front rail is bolted too low on the table. 2. Rear rail is bolted too low on the table. 	<ol style="list-style-type: none"> 1. Raise front rail. 2. Raise rear rail.
Blade does not reach 90°.	<ol style="list-style-type: none"> 1. 90° stop bolt is out of adjustment. 2. Pointer bracket is hitting before the blade reaches 90°. 	<ol style="list-style-type: none"> 1. Adjust 90° stop bolt. See Adjustments. 2. File down the right side of the pointer bracket until the blade can reach 90°.
Blade hits insert at 45°.	<ol style="list-style-type: none"> 1. Hole in insert is inadequate. 2. Table out of alignment. 3. Blade position is incorrect. 	<ol style="list-style-type: none"> 1. File or mill the hole in the insert. 2. Align table. See Adjustments. 3. Adjust blade position. See Adjustments.
Blade won't go beneath table surface.	Table top too low.	Raise table top w/washers.
Hand wheels won't turn.	<ol style="list-style-type: none"> 1. Hand wheel key is inserted too far. 2. Bullets are wedged. 3. Roll pin or setscrew in worm gear is contacting geared trunnion. 	<ol style="list-style-type: none"> 1. Remove hand wheel and adjust key. 2. Remove hand wheel and adjust bullets. 3. Inspect roll pins and setscrews in the worm gear. Tighten if necessary.





PUSH STICK
 MAKE FROM 1/2" OR 3/4"
 WOOD OR THICKNESS
 LESS THAN WIDTH OF
 MAT'L TO BE CUT

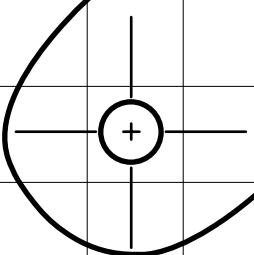
CAUTION
 USE ONLY GOOD
 STRONG WOOD OR
 PLYWOOD

NOTCH TO HELP
 PREVENT HAND
 FROM SLIPPING

CUT HERE TO
 PUSH 1/4" WOOD

CUT HERE TO
 PUSH 1/2" WOOD

1/2" GRID



WARRANTY CARD

Name _____
Street _____
City _____ State _____ Zip _____
Phone Number _____ E-Mail _____ FAX _____
MODEL # _____ Order # _____

The following information is given on a voluntary basis. It will be used for marketing purposes to help us develop better products and services. Of course, all information is strictly confidential.

- How did you learn about us?
 Advertisement Friend
 Catalog Card Deck
 World Wide Web
 Other _____
- Which of the following magazines do you subscribe to.
 American Woodworker Practical Homeowner
 Cabinetmaker Shop Notes
 Family Handyman Today's Homeowner
 Fine Homebuilding WOOD
 Fine Woodworking Wooden Boat
 Home Handyman Woodshop News
 Journal of Light Construction Woodsmith
 Old House Journal Woodwork
 Popular Mechanics Woodworker
 Popular Science Woodworker's Journal
 Popular Woodworking Workbench
 Other _____
- Which of the following woodworking/remodeling shows do you watch?
 Backyard America The New Yankee Workshop
 Home Time This Old House
 The American Woodworker Woodwright's Shop
 Other _____
- What is your annual household income?
 \$20,000-\$29,999 \$60,000-\$69,999
 \$30,000-\$39,999 \$70,000-\$79,999
 \$40,000-\$49,999 \$80,000-\$89,999
 \$50,000-\$59,999 \$90,000 +
- What is your age group?
 20-29 50-59
 30-39 60-69
 40-49 70 +
- How long have you been a woodworker?
 0 - 2 Years 8 - 20 Years
 2 - 8 Years 20+ Years
- How would you rank your woodworking skills?
 Simple Advanced
 Intermediate Master Craftsman
- What stationary woodworking tools do you own? Check all that apply.
 Air Compressor Panel Saw
 Band Saw Planer
 Drill Press Power Feeder
 Drum Sander Radial Arm Saw
 Dust Collector Shaper
 Horizontal Boring Machine Spindle Sander
 Jointer Table Saw
 Lathe Vacuum Veneer Press
 Mortiser Wide Belt Sander
 Other _____
- How many of your woodworking machines are Grizzly? _____
- Which benchtop tools do you own? Check all that apply.
 1" x 42" Belt Sander 6" - 8" Grinder
 5" - 8" Drill Press Mini Lathe
 8" Table Saw 10" - 12" Thickness Planer
 8" - 10" Bandsaw Scroll Saw
 Disc/Belt Sander Spindle/Belt Sander
 Mini Jointer
 Other _____
- How many of the machines checked above are Grizzly? _____
- Which portable/hand held power tools do you own? Check all that apply.
 Belt Sander Orbital Sander
 Biscuit Joiner Palm Sander
 Circular Saw Portable Planer
 Detail Sander Saber Saw
 Drill/Driver Reciprocating Saw
 Miter Saw Router
 Other _____
- What machines/supplies would you like Grizzly Industrial to carry?

- What new accessories would you like Grizzly Industrial to carry?

- What other companies do you purchase your tools and supplies from?

- Do you think your purchase represents good value?
 Yes No
- Would you recommend Grizzly Industrial to a friend?
 Yes No
- Would you allow us to use your name as a reference for Grizzly customers in your area? **Note: We never use names more than three times.**
 Yes No
- Comments: _____

WARRANTY AND RETURNS

Grizzly Industrial, Inc. warrants every product it sells for a period of **1 year** to the original purchaser from the date of purchase. This warranty does not apply to defects due directly or indirectly to misuse, abuse, negligence, accidents, repairs or alterations or lack of maintenance. This is Grizzly's sole written warranty and any and all warranties that may be implied by law, including any merchantability or fitness, for any particular purpose, are hereby limited to the duration of this written warranty. We do not warrant or represent that the merchandise complies with the provisions of any law or acts unless the manufacturer so warrants. In no event shall Grizzly's liability under this warranty exceed the purchase price paid for the product and any legal actions brought against Grizzly shall be tried in the State of Washington, County of Whatcom.

We shall in no event be liable for death, injuries to persons or property or for incidental, contingent, special, or consequential damages arising from the use of our products.

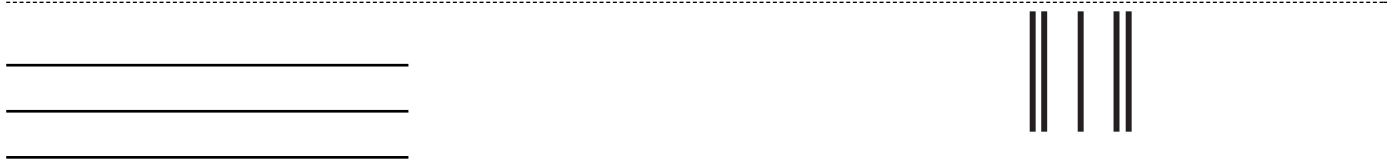
To take advantage of this warranty, contact us by mail or phone and give us all the details. We will then issue you a "Return Number," which must be clearly posted on the outside as well as the inside of the carton. We will not accept any item back without this number. Proof of purchase must accompany the merchandise.

The manufacturers reserve the right to change specifications at any time because they constantly strive to achieve better quality equipment. We make every effort to ensure that our products meet high quality and durability standards and we hope you never need to use this warranty.

Please feel free to write or call us if you have any questions about the machine or the manual.

Thank you again for your business and continued support. We hope to serve you again soon.

FOLD ALONG DOTTED LINE



**GRIZZLY INDUSTRIAL, INC.
P.O. BOX 2069
BELLINGHAM, WA 98227-2069**



FOLD ALONG DOTTED LINE

Send a Grizzly Catalog to a friend:

Name_____
Street_____
City_____ State_____ Zip_____

TAPE ALONG EDGES--PLEASE DO NOT STAPLE

Free Manuals Download Website

<http://myh66.com>

<http://usermanuals.us>

<http://www.somanuals.com>

<http://www.4manuals.cc>

<http://www.manual-lib.com>

<http://www.404manual.com>

<http://www.luxmanual.com>

<http://aubethermostatmanual.com>

Golf course search by state

<http://golfingnear.com>

Email search by domain

<http://emailbydomain.com>

Auto manuals search

<http://auto.somanuals.com>

TV manuals search

<http://tv.somanuals.com>