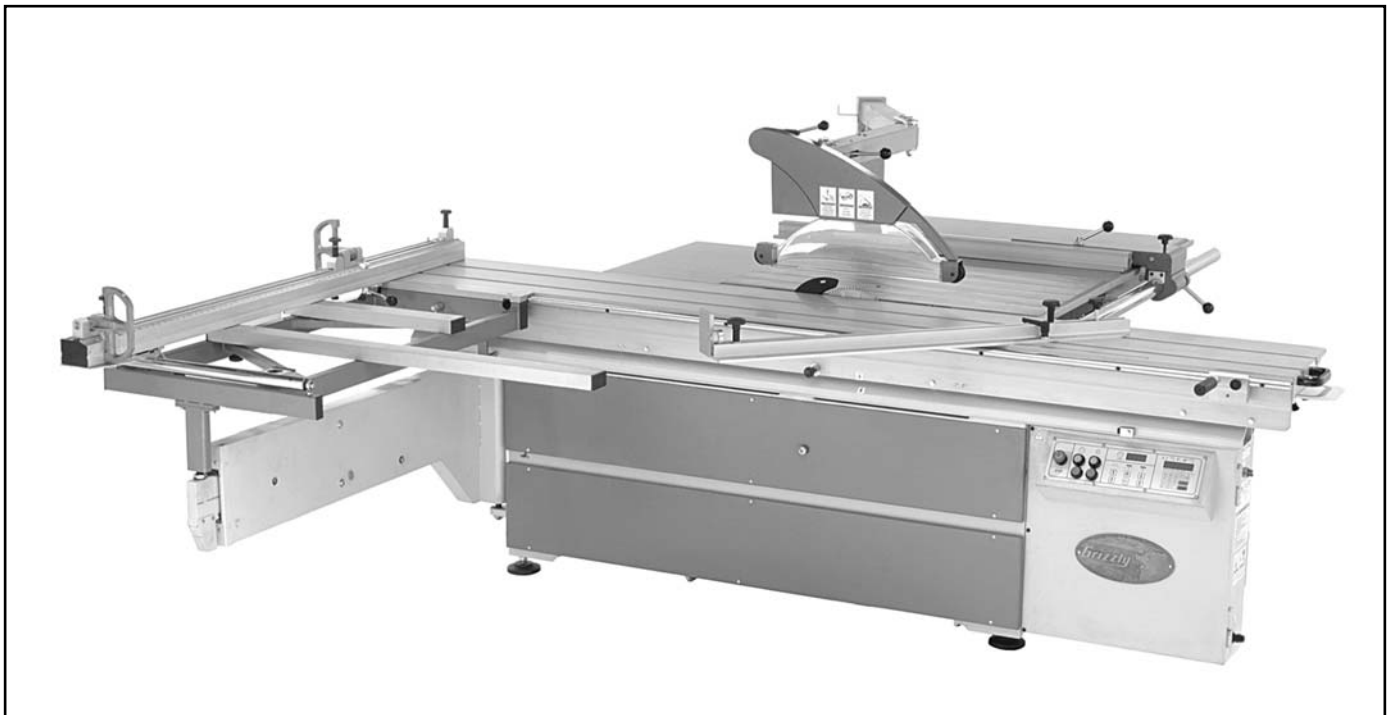


Grizzly **Industrial, Inc.**®

SLIDING TABLE SAW MODEL G0501 INSTRUCTION MANUAL



COPYRIGHT © JULY, 2003 BY GRIZZLY INDUSTRIAL, INC.
**WARNING: NO PORTION OF THIS MANUAL MAY BE REPRODUCED IN ANY SHAPE
OR FORM WITHOUT THE WRITTEN APPROVAL OF GRIZZLY INDUSTRIAL, INC.**
#530903624 PRINTED IN USA

ONLINE MANUAL DISCLAIMER

THE INFORMATION IN THIS MANUAL REPRESENTS THE CONFIGURATION OF THE MACHINE AS IT IS CURRENTLY BEING SHIPPED. THE MACHINE CONFIGURATION CAN CHANGE AS PRODUCT IMPROVEMENTS ARE INCORPORATED. IF YOU OWN AN EARLIER VERSION OF THE MACHINE, THIS MANUAL MAY NOT EXACTLY DEPICT YOUR MACHINE. CONTACT CUSTOMER SERVICE IF YOU HAVE ANY QUESTIONS ABOUT DIFFERENCES. PREVIOUS VERSIONS ARE NOT AVAILABLE ONLINE.

WARNING

Some dust created by power sanding, sawing, grinding, drilling, and other construction activities contains chemicals known to the State of California to cause cancer, birth defects or other reproductive harm. Some examples of these chemicals are:

- Lead from lead-based paints.
- Crystalline silica from bricks, cement, and other masonry products.
- Arsenic and chromium from chemically treated lumber.

Your risk from these exposures varies, depending on how often you do this type of work. To reduce your exposure to these chemicals: work in a well ventilated area, and work with approved safety equipment, such as those dust masks that are specially designed to filter out microscopic particles.

Table Of Contents

SECTION 1: SAFETY	3
Safety Instructions for Power Tools	3
Additional Safety Instructions for Table Saws	5
Preventing Kickback.....	6
Protecting Yourself from Kickback.....	6
Glossary Of Terms	7
SECTION 2: GENERAL INFORMATION	8
Commentary.....	8
SECTION 3: CIRCUIT REQUIREMENTS	9
220V 3-Phase	9
440V 3-Phase	10
Grounding.....	11
Extension Cords.....	11
Rewiring to 440V	12
SECTION 4: FEATURES & CONTROLS	13
Main Features	13
Control Panel	15
Rip Fence Controls	16
Blade Guard Controls.....	16
SECTION 5: SET UP	17
About this Section	17
Unpacking	17
Piece Inventory	17
Hardware Recognition Chart	20
Clean Up	21
Site Considerations	21
Moving & Placing Saw Base Unit	22
Setting Up Control Panel	23
Table Installation	23
Installing Blade Guard	26
Installing Extension Tables	27
Rip Fence.....	29
Crosscut Table	30
Miter Fence	32
Power Cord	33
Test Run.....	33
Sliding Table Parallel Adjustment	34
Fence Scale Alignment	35
Dust Collection	36
SECTION 6: OPERATIONS	37
Operation Tips	37
Changing Blade Tilt	38
Changing Blade Speeds	38
Aligning Scoring Blade Set	39
Rip Cutting	40
Crosscutting	42
Miter Cutting.....	44
Changing Main Blade.....	46
Changing Riving Knives.....	47
Changing Scoring Blade Set	48

SECTION 7: MAINTENANCE	50
Cleaning	50
Miscellaneous.....	50
V-Belts	50
Bearings	50
Maintenance Log	51
SECTION 8: SERVICE ADJUSTMENTS	52
About Service	52
Replacing Belts	52
Calibrating Blade Tilt	53
Adjusting Riving Knife Alignment	54
SECTION 9: REFERENCE INFO	55
Aftermarket Accessories	55
Parts Breakdown and Parts Lists.....	58
Troubleshooting	84
Wiring Diagrams.....	85
Warranty and Returns	88

SECTION 1: SAFETY

WARNING

For Your Own Safety, Read Instruction Manual Before Operating this Equipment

The purpose of safety symbols is to attract your attention to possible hazardous conditions. This manual uses a series of symbols and signal words which are intended to convey the level of importance of the safety messages. The progression of symbols is described below. Remember that safety messages by themselves do not eliminate danger and are not a substitute for proper accident prevention measures.

DANGER

Indicates an imminently hazardous situation which, if not avoided, **WILL** result in death or serious injury.

WARNING

Indicates a potentially hazardous situation which, if not avoided, **COULD** result in death or serious injury.

CAUTION

Indicates a potentially hazardous situation which, if not avoided, **MAY** result in minor or moderate injury. It may also be used to alert against unsafe practices.

NOTICE

This symbol is used to alert the user to useful information about proper operation of the equipment.

WARNING

Safety Instructions for Power Tools

- KEEP GUARDS IN PLACE** and in working order.
- REMOVE ADJUSTING KEYS AND WRENCHES.** Form a habit of checking to see that keys and adjusting wrenches are removed from tool before turning on.
- KEEP WORK AREA CLEAN.** Cluttered areas and benches invite accidents.
- DO NOT USE IN DANGEROUS ENVIRONMENT.** DO NOT use power tools in damp or wet locations, or where any flammable or noxious fumes may exist. Keep work area well lighted.
- KEEP CHILDREN AND VISITORS AWAY.** All children and visitors should be kept at a safe distance from work area.
- MAKE WORKSHOP CHILD PROOF** with padlocks, master switches, or by removing starter keys.
- DO NOT FORCE TOOL.** It will do the job better and safer at the rate for which it was designed.
- USE RIGHT TOOL.** DO NOT force tool or attachment to do a job for which it was not designed.

WARNING

Safety Instructions for Power Tools

9. **USE PROPER EXTENSION CORD.** Make sure your extension cord is in good condition. Conductor size should be in accordance with the chart below. The amperage rating should be listed on the motor or tool nameplate. An undersized cord will cause a drop in line voltage resulting in loss of power and overheating. Your extension cord must also contain a ground wire and plug pin. Always repair or replace extension cords if they become damaged.

Minimum Gauge for Extension Cords

AMP RATING	LENGTH		
	25ft	50ft	100ft
0-6	16	16	16
7-10	16	16	14
11-12	16	16	14
13-16	14	12	12
17-20	12	12	10
21-30	10	10	No

10. **WEAR PROPER APPAREL.** DO NOT wear loose clothing, gloves, neckties, rings, bracelets, or other jewelry which may get caught in moving parts. Non-slip footwear is recommended. Wear protective hair covering to contain long hair.
11. **ALWAYS USE SAFETY GLASSES.** Also use face or dust mask if cutting operation is dusty. Everyday eyeglasses only have impact resistant lenses, they are NOT safety glasses.
12. **SECURE WORK.** Use clamps or a vise to hold work when practical. It is safer than using your hand and frees both hands to operate tool.
13. **DO NOT OVERREACH.** Keep proper footing and balance at all times.
14. **MAINTAIN TOOLS WITH CARE.** Keep tools sharp and clean for best and safest performance. Follow instructions for lubricating and changing accessories.

15. **USE RECOMMENDED ACCESSORIES.** Consult the instruction manual for recommended accessories. The use of improper accessories may cause risk of injury.

16. **REDUCE THE RISK OF UNINTENTIONAL STARTING.** On machines with magnetic contact starting switches there is a risk of starting if the machine is bumped or jarred. Always disconnect from power source before adjusting or servicing. Make sure switch is in OFF position before reconnecting.

17. **MANY WOODWORKING TOOLS CAN "KICKBACK" THE WORKPIECE** toward the operator if not handled properly. Know what conditions can create "kickback" and know how to avoid them. Read the manual accompanying the machine thoroughly.

18. **CHECK DAMAGED PARTS.** Before further use of the tool, a guard or other part that is damaged should be carefully checked to determine that it will operate properly and perform its intended function. Check for alignment of moving parts, binding of moving parts, breakage of parts, mounting, and any other conditions that may affect its operation. A guard or other part that is damaged should be properly repaired or replaced.

19. **NEVER LEAVE TOOL RUNNING UNATTENDED. TURN POWER OFF.** DO NOT leave tool until it comes to a complete stop.

20. **NEVER OPERATE A MACHINE WHEN TIRED, OR UNDER THE INFLUENCE OF DRUGS OR ALCOHOL.** Full mental alertness is required at all times when running a machine.

21. **NEVER ALLOW UNSUPERVISED OR UNTRAINED PERSONNEL TO OPERATE THE MACHINE.** Make sure any instructions you give in regards to the operation of the machine are approved, correct, safe, and clearly understood.

WARNING

Additional Safety Instructions for Table Saws

- 1. SAFETY ACCESSORIES.** Always use the blade guard and riving knife on all "through-sawing" operations. *Through-sawing operations are those when the blade cuts completely through the workpiece.*
- 2. KICKBACK.** Be familiar with kickback. Kickback happens when the workpiece is thrown towards the operator at a high rate of speed. *Until you have a clear understanding of kickback and how it occurs, DO NOT operate this table saw!*
- 3. WORKPIECE CONTROL.** Make sure the workpiece is placed in a stable position on the table and is either supported by the rip fence or the crosscut table during cutting operations.
- 4. PUSH STICK.** Always use a push stick when ripping narrow stock.
- 5. OPERATOR POSITION.** Never stand or have any part of your body directly in-line with the cutting path of the saw blade.
- 6. REACHING OVER SAW BLADE.** Never reach behind or over the blade with either hand while the saw is running. *If kickback occurs while reaching over the blade, hands or arms could be pulled into the spinning saw blade.*
- 7. USING THE RIP FENCE AND THE CROSSCUT FENCE TOGETHER DURING A CUTTING OPERATION.** When using the crosscut fence, the workpiece should never be contacting the rip fence while the saw blade is cutting.
- 8. STALLED BLADE.** Turn the saw off before attempting to "free" a stalled saw blade.
- 9. COMFORTABLE CUTTING OPERATIONS.** Avoid awkward operations and hand positions where a sudden slip could cause your hand to move into the spinning saw blade.
- 10. EXPERIENCING DIFFICULTIES.** If at any time you are experiencing difficulties performing the intended operation, stop using the machine! Contact our Service Department at (570) 546-9663.
- 11. BLADE HEIGHT.** Always adjust the blade to the proper height above the workpiece.
- 12. DAMAGED SAW BLADES.** Never use blades that have been dropped or otherwise damaged.
- 13. RIVING KNIFE ALIGNMENT.** Only operate the saw if the riving knife is aligned with the main blade.

WARNING

Like all machines there is danger associated with the Model G0501. Accidents are frequently caused by lack of familiarity or failure to pay attention. Use this machine with respect and caution to lessen the possibility of operator injury. If normal safety precautions are overlooked or ignored, serious personal injury may occur.

CAUTION

No list of safety guidelines can be complete. Every shop environment is different. Always consider safety first, as it applies to your individual working conditions. Use this and other machinery with caution and respect. Failure to do so could result in serious personal injury, damage to equipment, or poor work results.

WARNING

Statistics prove that most common accidents among table saw users can be linked to kickback. Kickback is typically defined as the high-speed expulsion of stock from the table saw toward its operator. In addition to the danger of the operator or others in the area being struck by the flying stock, it is often the case that the operator's hands are pulled into the blade during the kickback.

Preventing Kickback

Below are tips to reduce the likelihood of kickback:

- Never attempt freehand cuts. If the workpiece is not fed perfectly parallel with the blade, a kickback will likely occur. Always use the rip fence or crosscut fence to support the workpiece.
- Make sure the riving knife is always aligned with the blade. A misaligned riving knife can cause the workpiece to bind or stop the flow of the cut, resulting in an increased chance of kickback. If you think that your riving knife is not aligned with the blade, check it immediately!
- Ensure that your table slides parallel with the blade; otherwise, the chances of kickback are extreme. Take the time to check and adjust the sliding table.
- Use the riving knife during every cut. The riving knife helps maintain the kerf in the workpiece after it is cut, therefore, reducing the chance of kickback.
- Feed cuts through to completion. Anytime you stop feeding a workpiece that is in the middle of a cut, the chance of binding, resulting in kickback, is greatly increased.



Protecting Yourself from Kickback

Even if you know how to prevent kickback, it may still happen. Here are some tips to reduce the likelihood of injury if kickback **DOES** occur:

- Stand to the side of the blade during every cut. If a kickback does occur, the thrown workpiece usually travels directly in front of the blade.
- Always wear safety glasses or a face shield. In the event of a kickback, your eyes and face are the most vulnerable part of your body.
- Never, for any reason, place your hand behind the blade. Should kickback occur, your hand will be pulled into the blade.
- Use a pushstick to keep your hands farther away from the moving blade. If a kickback occurs, the push stick will most likely take the damage that your hand would have received.



Glossary Of Terms

The following is a list of common definitions, terms and phrases used throughout this manual as they relate to this table saw and woodworking in general. Become familiar with these terms for assembling, adjusting or operating this machine. Your safety is **VERY** important to us at Grizzly!

Arbor: Metal shaft extending from the drive mechanism, to which saw blade is mounted.

Bevel Edge Cut: Tilting the arbor and saw blade to an angle between 0° and 45° to cut a beveled edge onto a workpiece.

Blade Guard: Metal or plastic safety device that mounts over the saw blade. Its function is to prevent the operator from coming into contact with the saw blade.

Crosscut: Cutting operation in which the cross-cut fence is used to cut across the grain, or across the shortest width of the workpiece.

Dado Blade: Blade or set of blades that are used to cut grooves and rabbets.

Dado Cut: Cutting operation that uses a dado blade to cut a flat bottomed groove into the face of the workpiece.

Featherboard: Safety device used to keep the workpiece against the rip fence and against the table surface.

Kerf: The resulting cut or gap in the workpiece after the saw blade passes through during a cutting operation.

Kickback: An event in which the workpiece is propelled back towards the operator at a high rate of speed.

Parallel: Being an equal distance apart at every point along two given lines or planes. i.e. the rip fence face is parallel to the face of the saw blade.

Non-Through Cut: A sawing operation that requires the removal of the blade guard and riving knife. Dado and rabbet cuts are considered Non-Through Cuts because the blade does not protrude above the top face of the wood stock. Always remember to re-install the blade guard and riving knife after performing a non-through cut.

Perpendicular: Lines or planes that intersect and form right angles. i.e. the blade is perpendicular to the table surface.

Push Stick: Safety device used to push the workpiece through a cutting operation. Used most often when rip cutting thin workpieces.

Rabbet: Cutting operation that creates an L-shaped channel along the edge of the workpiece.

Riving knife: Metal plate located behind the blade. It maintains the kerf opening in the wood when performing a cutting operation.

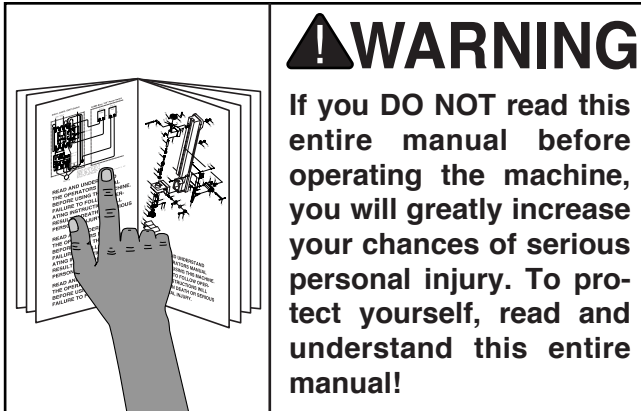
Straightedge: A tool used to check the flatness, parallelism, or consistency of a surface(s).

Through Cut: A sawing operation in which the workpiece is completely sawn through.

Rip Cut: Cutting operation in which the rip fence is used to cut with the grain, or across the widest width of the workpiece.



SECTION 2: GENERAL INFORMATION



Commentary

Grizzly Industrial, Inc. is proud to offer the Model G0501 Sliding Table Saw. This table saw is part of Grizzly's growing family of fine woodworking machinery. When used according to the guidelines stated in this manual, you can expect years of trouble-free, enjoyable operation, and proof of Grizzly's commitment to customer satisfaction.

We are also pleased to provide this manual for the Model G0501. It was written to guide you through assembly, review safety considerations, and cover general operating procedures. It represents our latest effort to produce the best documentation possible.

If you have any comments or criticisms that you feel we should address in our next printing, please write to us at:

Grizzly Industrial, Inc.
% Technical Documentation
P.O. Box 2069
Bellingham, WA 98227

Most important, we stand behind our machines. We have excellent regional service departments at your disposal should the need arise.

If you have any service questions or parts requests, please call or write to us at the location listed below.

Grizzly Industrial, Inc
1203 Lycoming Mall Circle
Muncy, PA 17756
Phone:(570) 546-9663
Fax:(800) 438-5901
E-Mail: techsupport@grizzly.com
Web Site: <http://www.grizzly.com>

The specifications, drawings, and photographs illustrated in this manual represent the Model G0501 as supplied when the manual was prepared. However, owing to Grizzly's policy of continuous improvement, changes may be made at any time with no obligation on the part of Grizzly. For your convenience, we always keep current Grizzly manuals available on our website at www.grizzly.com. Any updates to your machine will be reflected in these manuals as soon as they are complete.



SECTION 3: CIRCUIT REQUIREMENTS

220V 3-Phase

⚠️ WARNING

Serious personal injury could occur if you connect your machine to the power source before you have completed the set up process. **DO NOT** connect the machine to the power source until instructed to do so.

Wiring

The Model G0501 is prewired for 220V 3-phase operation.

Amperage Draw

The Model G0501 has a 10 HP main motor and a 1 HP scoring motor that will draw the following amps at 220V 3-phase:

Arbor Motor25 Amps
Scoring Motor3 Amps

Circuit Breaker Requirements

Install the machine on a dedicated circuit to reduce the possibility of overloading the circuit and tripping the circuit breaker. If the circuit breaker trips and the circuit is of the correct load capacity, have the circuit inspected by qualified electrician. Never use a larger circuit breaker than stated below, or you will increase the risk of fire.

Circuit Breaker30 Amp, 3 Pole

Minimum Cord Requirements

For 220V 3-phase operation, use the following type of cord (a cord is not provided):

Cord.....3 pole, 4 wire
Gauge10

Plug Type

The plug you install on your cord will depend upon the type of service you currently have or plan to install. We recommend using the following plug and receptacle for your machine on a dedicated circuit only (see **Figure 1a** for an example):

Plug & ReceptacleL15-30

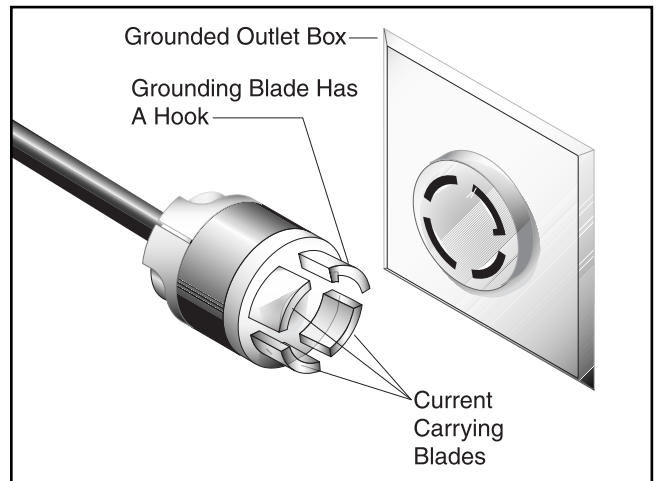


Figure 1a. Typical locking type L15-30 plug and receptacle.

Your Shop Circuit Capacity

Always check to see if the wires in your circuit are capable of handling the amperage draw from your machine, as well as any other machines that could be operating on the same circuit. If you are unsure, consult a qualified electrician.

⚠️ CAUTION

A fire may occur if your particular electrical configuration does not comply with local and state codes. The best way to ensure compliance is to check with your local municipality or a licensed electrician.



440V 3-Phase

⚠️ WARNING

Serious personal injury could occur if you connect your machine to the power source before you have completed the setup process. DO NOT connect the machine to the power source until instructed to do so.

Wiring

The Model G0501 is prewired for 220V 3-phase operation. If 440 voltage is required, rewire the machine per the instructions on **page 12** and follow the circuit requirements on this page.

Amperage Draw

The Model G0501 has a 10 HP main motor and a 1 HP scoring motor that will draw the following amps at 440V 3-phase :

Arbor Motor12.5 Amps
Scoring Motor1.5 Amps

Circuit Breaker Requirements

Install the machine on a dedicated circuit to reduce the possibility of overloading the circuit and tripping the circuit breaker. If the circuit breaker trips and the circuit is of the correct load capacity, have the circuit inspected by qualified electrician. Never use a larger circuit breaker than stated below, or you will increase the risk of fire.

Circuit Breaker20 Amp, 3 Pole

Minimum Cord Requirements

For 440V 3-phase operation, use the following type of cord (a cord is not included):

Cord.....3 pole, 4 wire
Gauge12

Plug Type

The plug you install on your cord will depend upon the type of service you currently have or plan to install. We recommend using the following plug and receptacle for your machine on a dedicated circuit only (see **Figure 1b** for an example):

Plug & ReceptacleL15-20

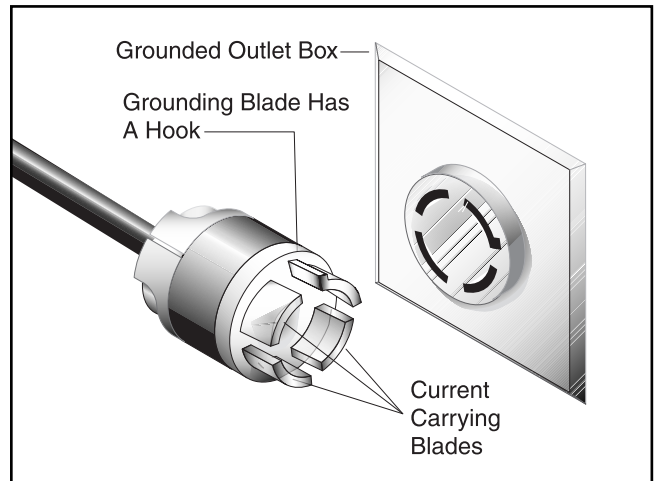


Figure 1b. Typical locking type L15-20 plug and receptacle.

Your Shop Circuit Capacity

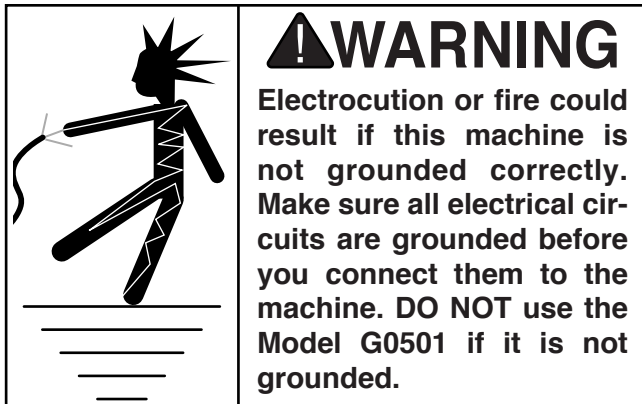
Always check to see if the wires in your circuit are capable of handling the amperage draw from your machine, as well as any other machines that could be operating on the same circuit. If you are unsure, consult a qualified electrician.

⚠️ CAUTION

A fire may occur if your particular electrical configuration does not comply with local and state codes. The best way to ensure compliance is to check with your local municipality or a licensed electrician.



Grounding



In the event of an electrical malfunction or breakdown, grounding provides a path of least resistance for electric current to reduce the risk of electric shock. This machine must be equipped with an electric cord that has an equipment grounding conductor. This conductor must be grounded in accordance with all local codes and ordinances.

Improper connections of the electrical-grounding conductor can result in the risk of electric shock. Check with a qualified electrician or one of our service personnel if the grounding instructions are not completely understood, or if you are in doubt as to whether the machine is properly grounded.



Extension Cords

Because of the high amperage draw from this machine, we do not recommend the use of extension cords. Instead, position your equipment near installed wiring to eliminate the need for extension cords.



Rewiring to 440V

The Model G0501 can be rewired for 440V operation. This rewiring job consists of disconnecting the saw from the power source, changing the connections on the voltage transformer, changing the overload relays for the cutting motor and scoring motor, and rewiring the cutting motor and scoring motor.

The necessary overload relays for this procedure can be purchased in the Model G0501 440V Conversion Kit by calling our customer service number at (800) 523-4777.

This procedure takes moderate electrical skill and the rewiring job must be inspected by a licensed electrician before the saw is connected to the power source. Also, the motors can be accessed easier for rewiring if the blade is moved to 0° (90° to table) before beginning.

To rewire the Model G0501 for 440V operation:

1. Disconnect the saw from the power source!
2. Open the electrical panel and locate the voltage transformer shown in **Figure 2**.

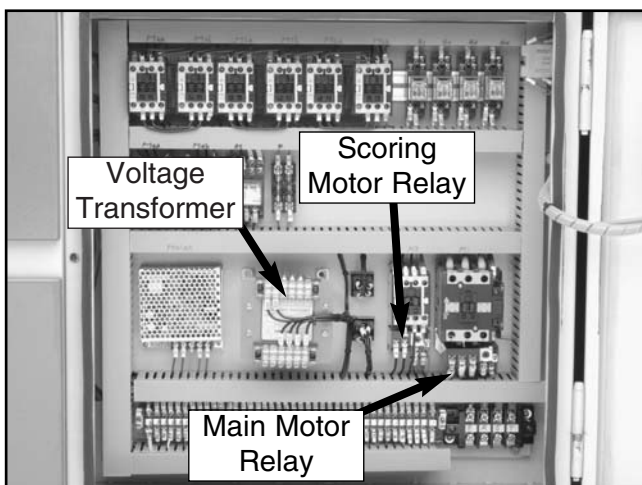


Figure 2. Inside view of the control panel.

3. At the voltage transformer, remove the wire that leads to the “220” terminal and connect that wire to the “440” terminal (see **Figure 3**).

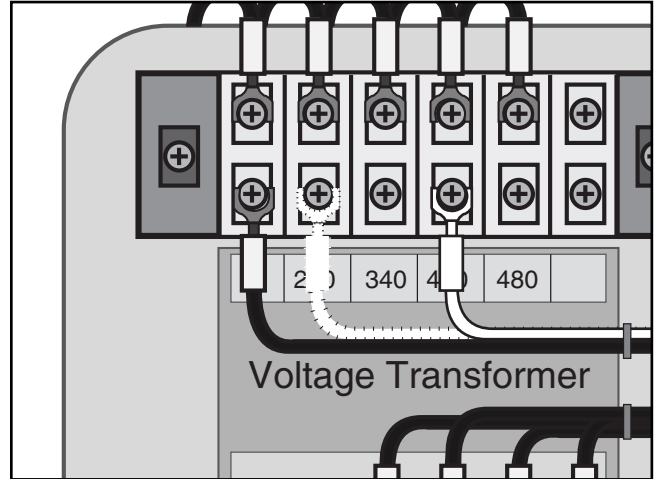


Figure 3. Wire removed at 220V location and connected to 440V location.

4. Remove the main motor overload relay (RH-18/26 21-31A) and replace with the 440V overload relay (RH-18/15 12-18A) that was included with the Grizzly 440V conversion kit. Set the overload relay dial to 13A.
5. Remove the scoring motor overload relay (RH10E/3C 2.4-3.6A) and replace with the 440V overload relay (RH10E/1.7C 1.3-2A) from the conversion kit. Set the overload relay dial to 1.7A.
6. Open the motor cabinet door and remove the motor wiring caps from the main motor and the scoring motor.
7. Rewire the motors as shown on the diagrams that are placed on the inside of the motor wiring caps. Note—*The diagram labeled “Higher” is the correct wiring for 440V.*



SECTION 4: FEATURES & CONTROLS

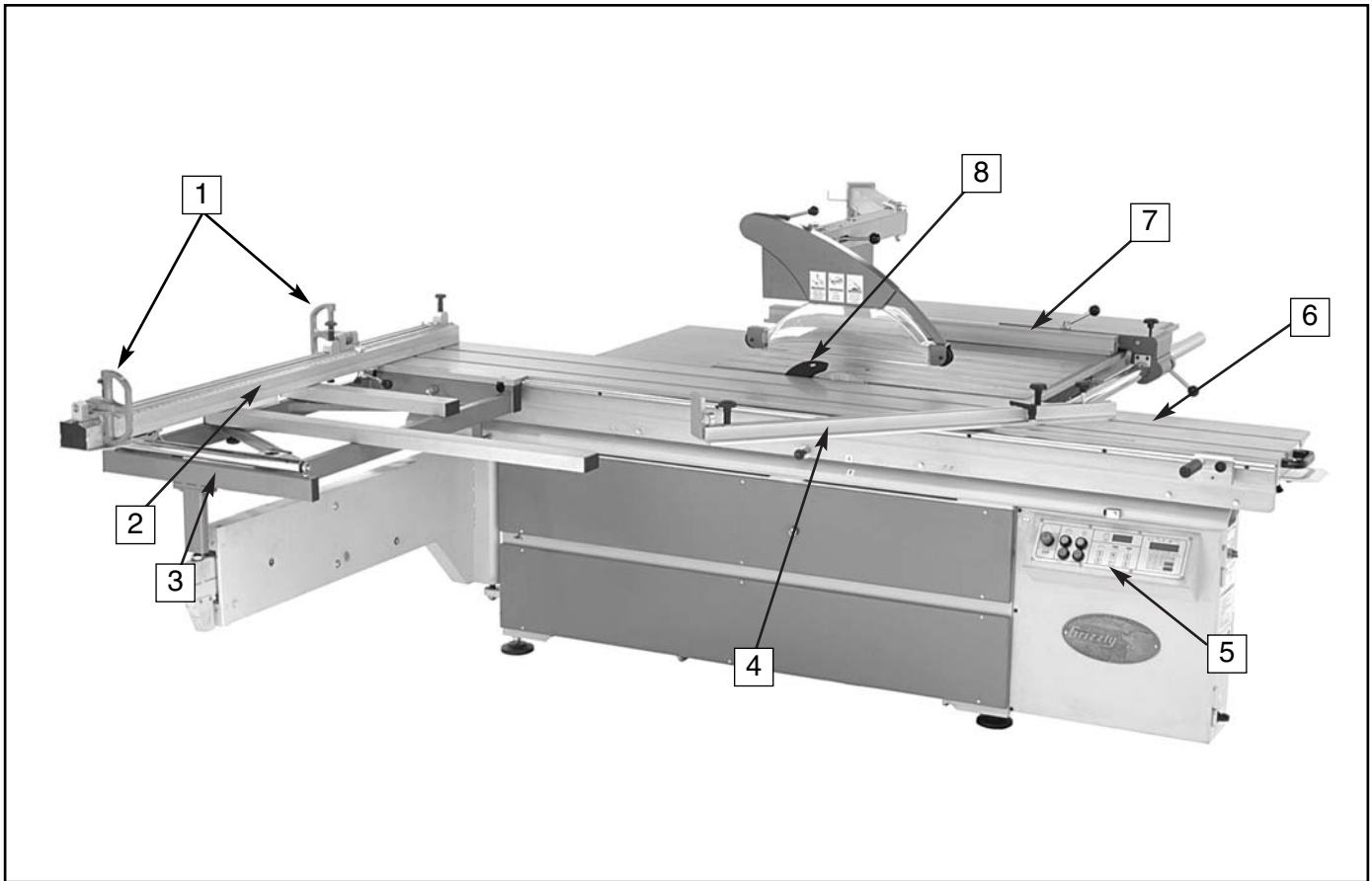


Figure 4. Main view of machine features and controls.

Main Features

- 1. Flip Stops**—Used for quick measurements for crosscutting.
- 2. Crosscut Fence**—Used during crosscutting operations. Features a scale and multiple flip-style stopblocks for precise, repeatable crosscutting operations.
- 3. Crosscut Table**—Provides a wide, stable platform for supporting full-size panels during crosscutting operations.
- 4. Miter Fence**—Allows precise miter cuts between 30° and 135°.
- 5. Control Panel & Digital Display**—Features a combination of digital and push-button controls for operating the many features of the saw.
- 6. Sliding Table**—Conveniently glides the workpiece through the blade with effortless precision and ease.
- 7. Rip Fence**—Fully adjustable with micro-adjustments. Fence face can be positioned for standard cutting operations, or in the lower position for blade guard clearance during narrow ripping operations.
- 8. Riving Knife**—Maintains kerf opening during cutting operations. This function is crucial to preventing kickback caused by the kerf closing behind the blade.

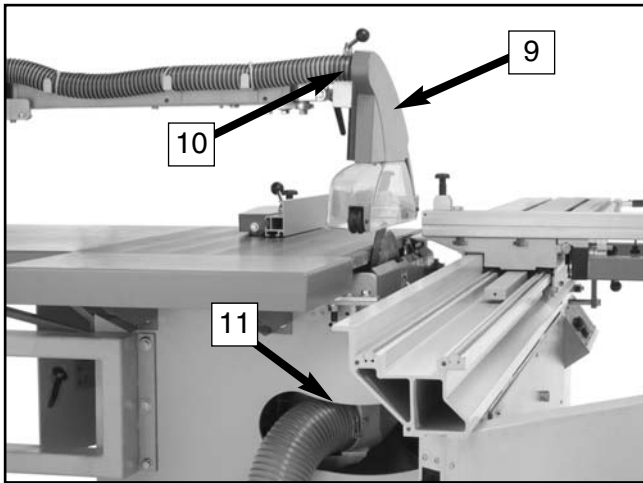


Figure 5. Blade guard and dust ports.

- 9. Blade Guard**—Fully-adjustable blade guard allows high visibility of the cutting operation while maintaining maximum protection around the saw blade.
- 10. Upper Dust Collection Port**—2" port opening allows effective dust extraction from above the cutting operation.
- 11. Main Dust Collection Port**—5" port allows efficient high-volume dust extraction from below the cutting operation.

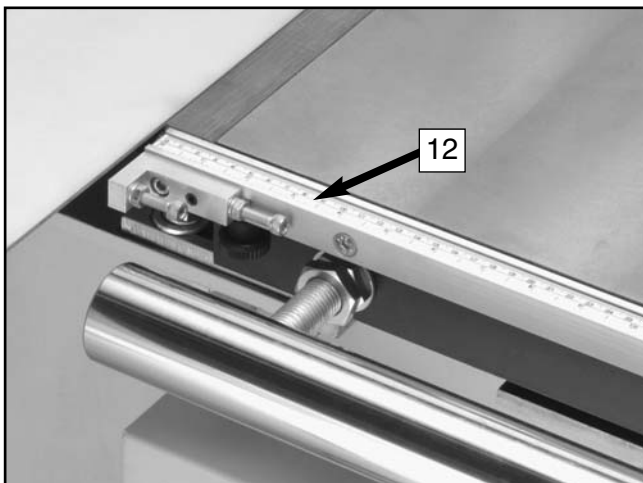


Figure 6. Rip fence scale.

- 12. Rip Fence Scale**—Allows precise measurement of rip cutting operations. Features a dual calibration block for effortless scale reading regardless of whether the fence is in the high or low position.

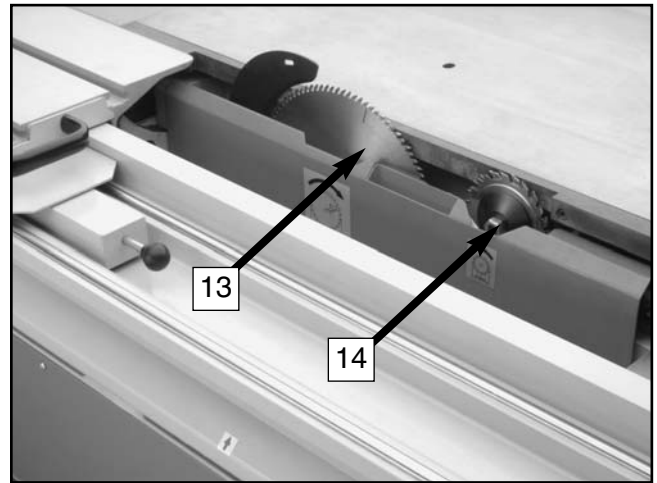


Figure 7. Blades.

- 13. Main Blade**—Performs the cutting operations.
- 14. Scoring Blade**—Small cutting blade that rotates opposite the main saw blade. The blade scores the workpiece before the actual cutting operation is performed; thus, preventing tear-out in laminate materials. The scoring blade is adjustable forward and backward, up and down, and in thickness of kerf.



Control Panel

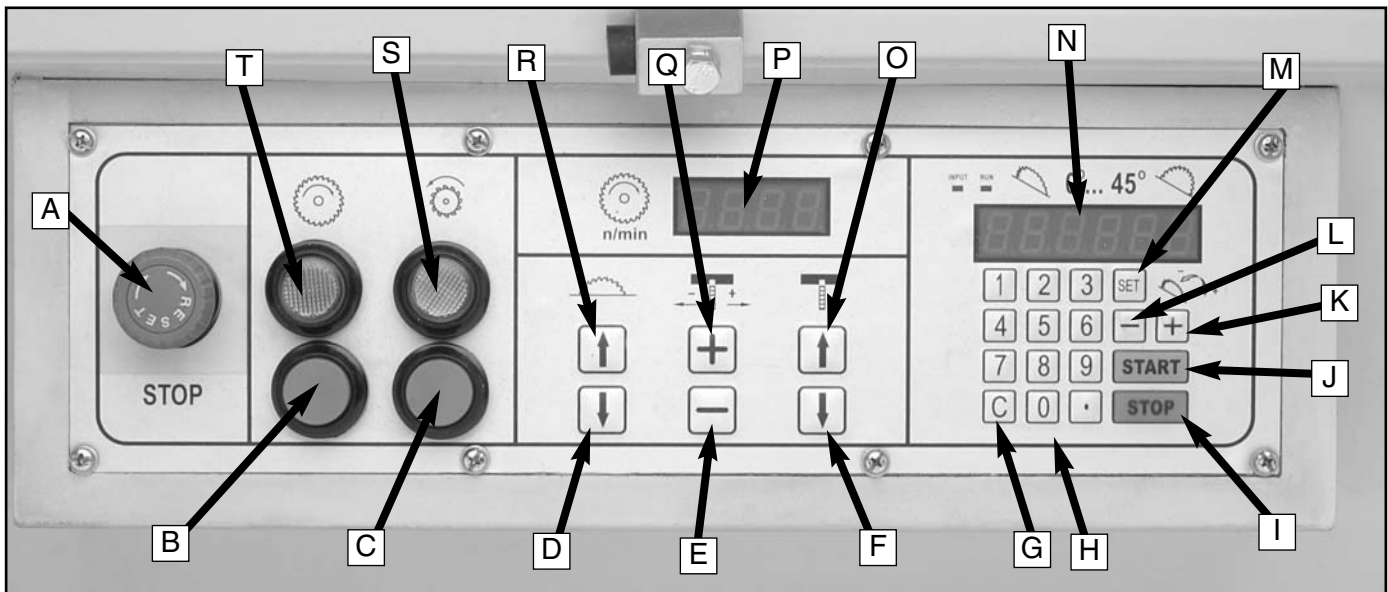


Figure 8. Control panel close-up.

- A. **EMERGENCY STOP Button**—Disconnects power to all motors in the motor cabinet.
- B. **MAIN BLADE OFF Button**—Stops the main saw blade.
- C. **SCORING BLADE OFF Button**—Stops the scoring blade.
- D. **MAIN BLADE DOWN Key**—Lowers the height of the main saw blade.
- E. **SCORING BLADE RIGHT Key**—Moves the scoring blade right for alignment purposes.
- F. **SCORING BLADE DOWN Key**—Lowers the height of the scoring blade.
- G. **C Key**—Clears typed entries in the display.
- H. **Keypad**—Keys for inputting the desired angle of the saw blade.
- I. **Stop Key**—Stops the trunnion movement.
- J. **Start key**—Starts trunnion movement after an angle has been entered.
- K. **“+” Key**—Manually increases the angle of the saw blades in increments of 0.1°.
- L. **“-” Key**—Manually decreases the angle of the saw blades in increments of 0.1°.
- M. **Set Key**—Used to set blade angles entered into the keypad. Also, used for calibration.
- N. **Digital Display**—Displays the current angle of the saw blades.
- O. **SCORING BLADE UP Key**—Raises the height of the scoring blade.
- P. **ARBOR RPM Display**—Displays the current RPM of the saw blades.
- Q. **SCORING BLADE LEFT Key**—Moves the scoring blade left for alignment purposes.
- R. **MAIN BLADE UP Key**—Raises the height of the main saw blade.
- S. **SCORING BLADE ON Button**—Starts the scoring blade. Note—*The main saw blade must be ON for the scoring blade to start.*
- T. **MAIN BLADE ON Button**—Starts the main saw blade.



Rip Fence Controls

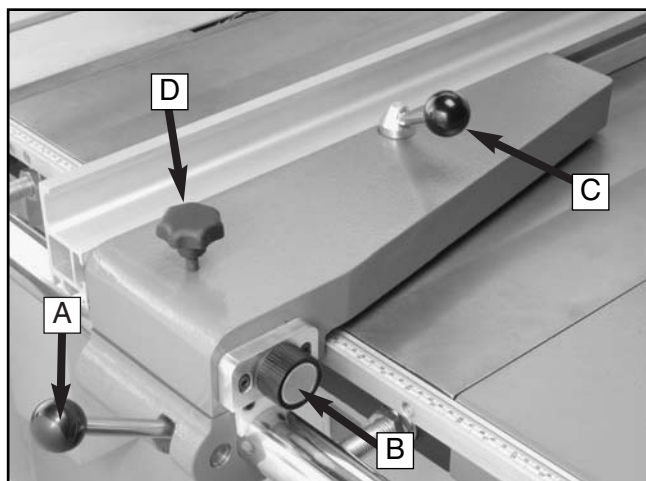


Figure 9. Rip fence controls.

- A. Fence Assembly Lock Down Lever**—Secures the fence assembly into position along the fence rail.
- B. Micro-Adjust Knob**—Precisely adjusts the fence.
- C. Forward/Backward Slide Lock Handle**—Secures the aluminum fence piece on its forward/backward slide track.
- D. Micro-Adjust Lock Knob**—Secures the fence after it has been adjusted with the micro-adjustment knob.



Blade Guard Controls

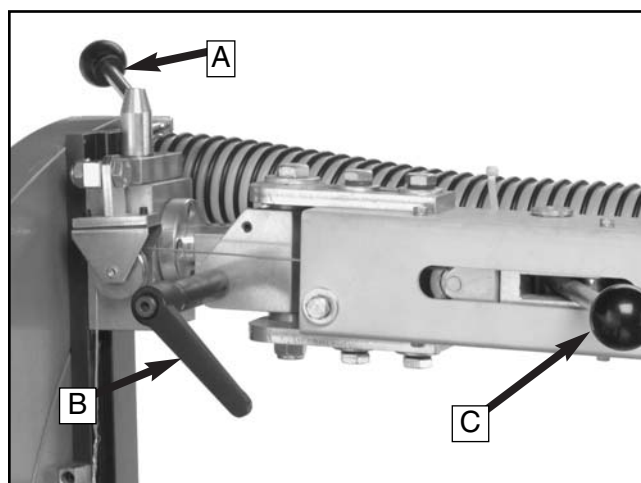


Figure 10. Blade guard controls.

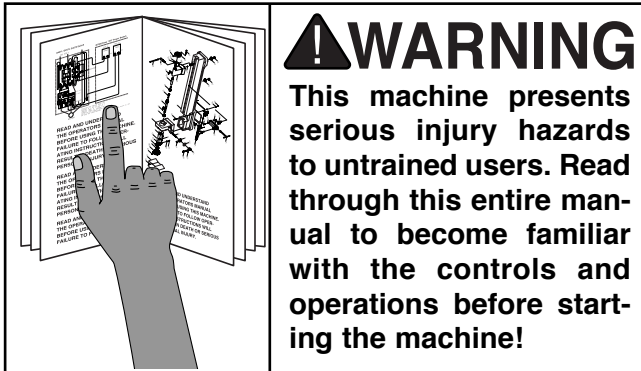
- A. Height Adjustment Locking Lever**—Secures the blade guard in the desired vertical position by clamping the dovetail slide.
- B. Leveling Adjustment Locking Lever**—Allows the blade guard to be adjusted horizontally to level the blade guard with the table or workpiece.
- C. Mechanical Height Control Lever**—Raises and lowers the blade guard to adjust the height when the height adjustment locking lever is released.



SECTION 5: SET UP

About this Section

The purpose of this section is to guide you through the required steps to get your machine out of its crate and into operating condition.



Unpacking

The Model G0501 is shipped from the manufacturer in a carefully built crate. If you discover the machine is damaged after you have signed for delivery, *please immediately call Customer Service at (570) 546-9663 for advice.*

Save the containers and all packing materials for possible inspection by the carrier or its agent. *Otherwise, filing a freight claim can be difficult.*

When you are completely satisfied with the condition of your shipment, you should inventory the equipment from the shipping crate.



G0501 Sliding Table Saw

Piece Inventory

Main Crate:

- Saw Base Unit
- Blade Guard
- Blade Guard Lower Support Arm
- Blade Guard Upper Support Arm
- Blade Guard Swing Arm
- Push Stick
- Large Extension Table
- Large Extension Table Braces (2)
- Small Extension Table
- Small Extension Table Braces (2)
- Crosscut Table
- Riving Knife
- Rip Fence Rail
- Rip Fence Clamp
- Tool Box
 - Feet (4)
 - Foot Studs (4)
 - Combo Arbor Wrench 30, 36 MM
 - Combo Wrench 22, 24 MM
 - 10 pc Hex Key Set
 - 6 pc Combo Wrench Set
 - Arbor Locking Tool

Fence Crate:

- Sliding Table
- Crosscut Fence
- Extruded Aluminum Rip Fence
- Miter Fence
- Long Crosscut Table Brace
- Short Crosscut Table Brace
- Sliding Table End Handle
- Sliding Table End Cap
- Flip Stop w/Indicator on End
- Flip Stop w/Indicator in Middle
- Sliding Table Rail Handle
- Bar w/Scale
- Flat Head Screws (4) M6-1.0 x 30

In the event that any non-proprietary parts are missing (e.g. nuts or washers), we would be glad to replace them, or for the sake of expediency, replacements can be obtained at your local hardware store.



Figure 11. Saw unit.

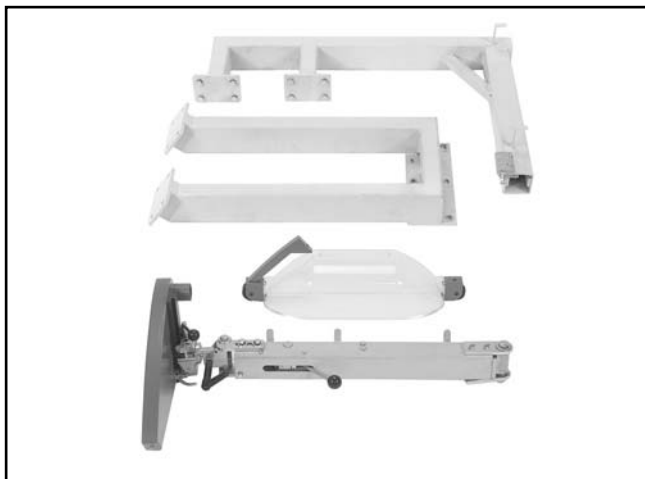


Figure 12. Blade guard assembly.

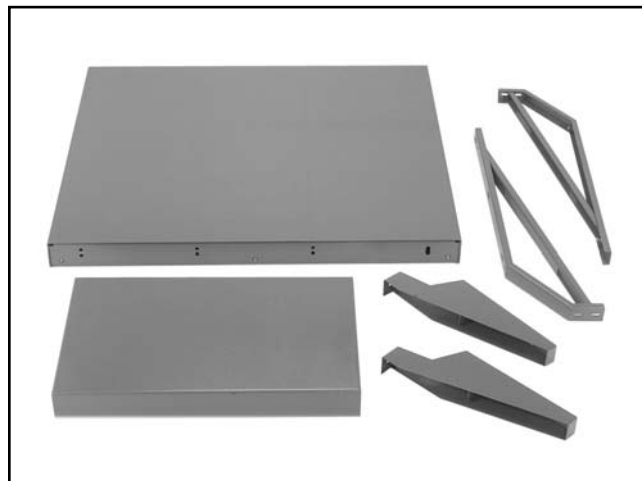


Figure 13. Extension tables and braces.

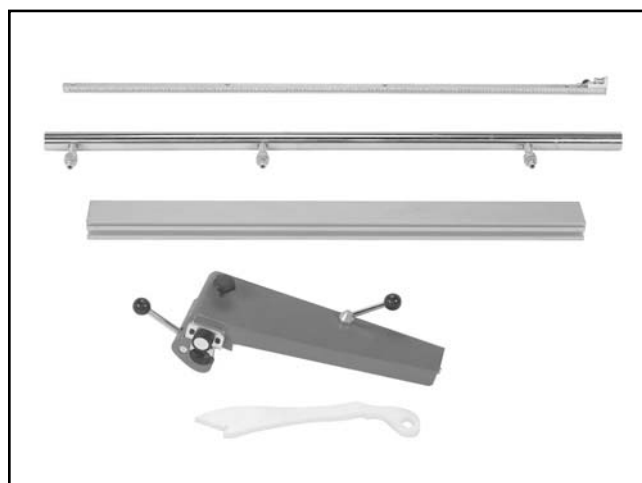


Figure 14. Rip fence components and push stick.



Figure 15. Crosscut fence components.

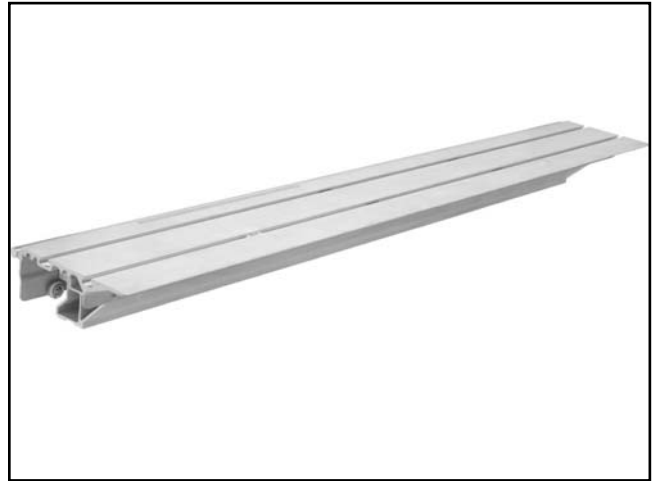


Figure 17. Sliding table.



Figure 16. Toolbox inventory.

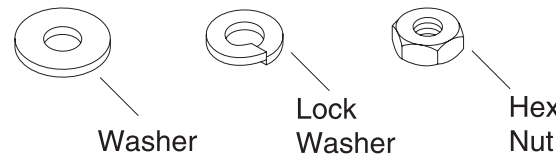
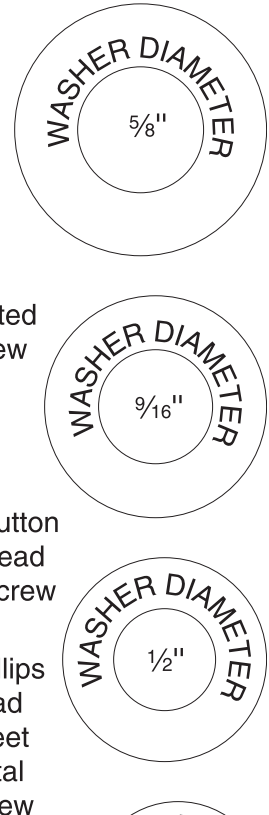
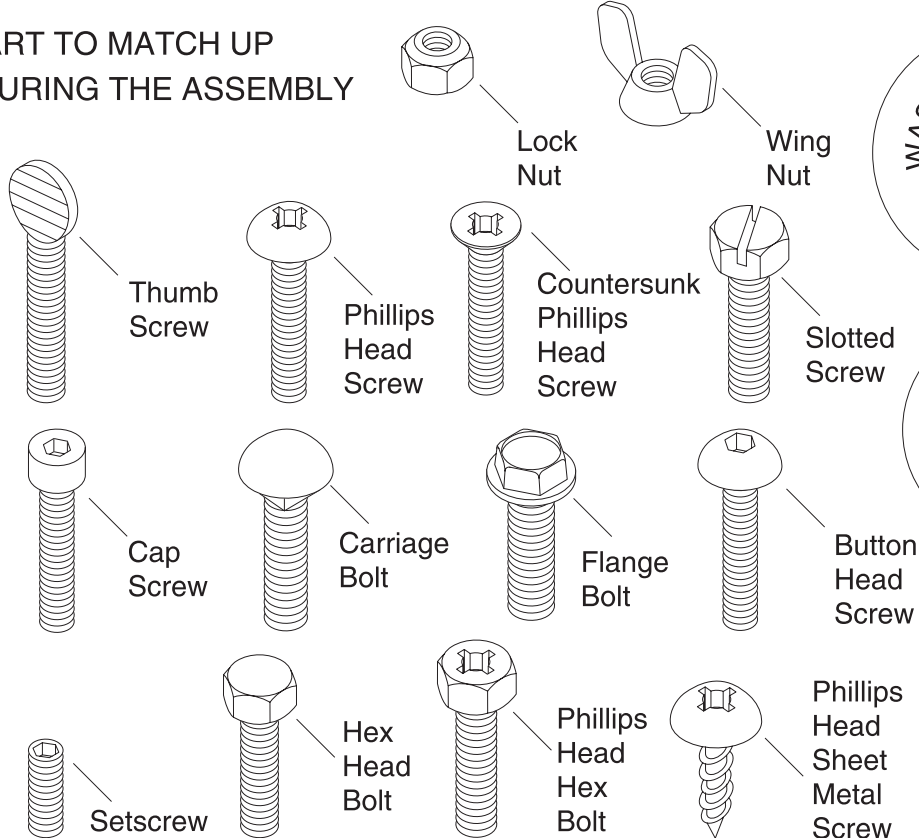


Hardware Recognition Chart

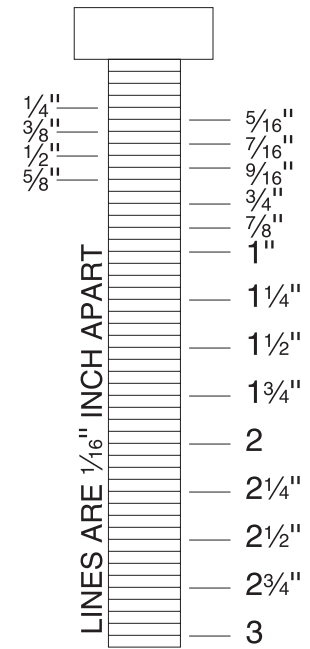
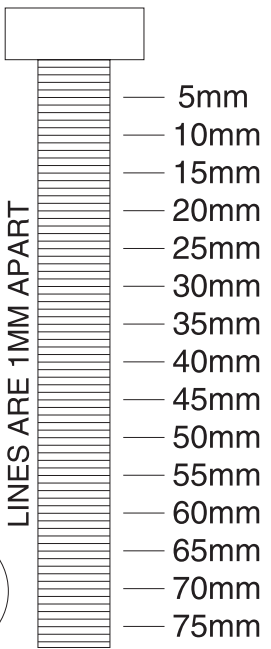
USE THIS CHART TO MATCH UP HARDWARE DURING THE ASSEMBLY PROCESS!

MEASURE BOLT DIAMETER BY PLACING INSIDE CIRCLE

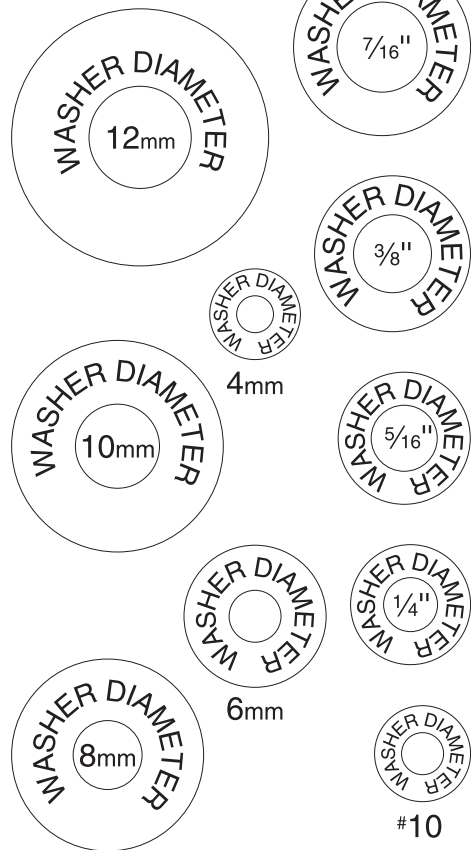
- #10
- 1/4"
- 5/16"
- 3/8"
- 7/16"
- 1/2"
- 5/8"



- 4mm
- 6mm
- 8mm
- 10mm
- 12mm
- 16mm





WASHERS ARE MEASURED BY THE INSIDE DIAMETER

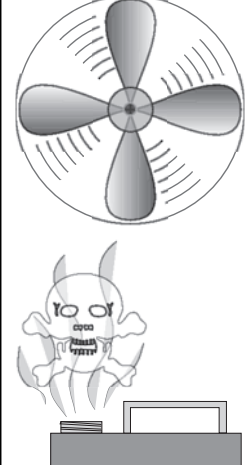


Clean Up

The unpainted surfaces are coated with a waxy oil to protect them from corrosion during shipment. Remove this protective coating with a solvent cleaner or citrus-based degreaser such as Grizzly's G7895 Degreaser. To clean thoroughly, some parts may need to be removed. **For optimum performance from your machine, make sure you clean all moving parts or sliding contact surfaces that are coated.** Avoid chlorine-based solvents as they may damage painted surfaces should they come in contact. Always follow the manufacturer's instructions when using any type of cleaning product.

	<p>! WARNING Gasoline and petroleum products have low flash points and could cause an explosion or fire if used to clean machinery. DO NOT use gasoline or petroleum products to clean the machinery.</p>
--	---

	<p>! WARNING Smoking near solvents could ignite an explosion or fire and cause serious injury. DO NOT smoke while using solvents.</p>
---	---

	<p>! CAUTION Many of the solvents commonly used to clean machinery can be toxic when inhaled or ingested. Lack of ventilation while using these solvents could cause serious personal health risks or fire. Take precautions from this hazard by only using cleaning solvents in a well ventilated area.</p>
---	---

Site Considerations

Floor Load

The Model G0501 weighs 2314 lbs. and has a base footprint of 64½" W x 39" D. Most commercial floors are suitable for your machine. Some residential floors may require additional reinforcement to support both the machine and operator.

Working Clearances

Consider existing and anticipated needs, size of material to be processed through each machine, and space for auxiliary stands, work tables or other machinery when establishing a location for your saw. See **Figure 18** for the maximum working clearances of the Model G0501.

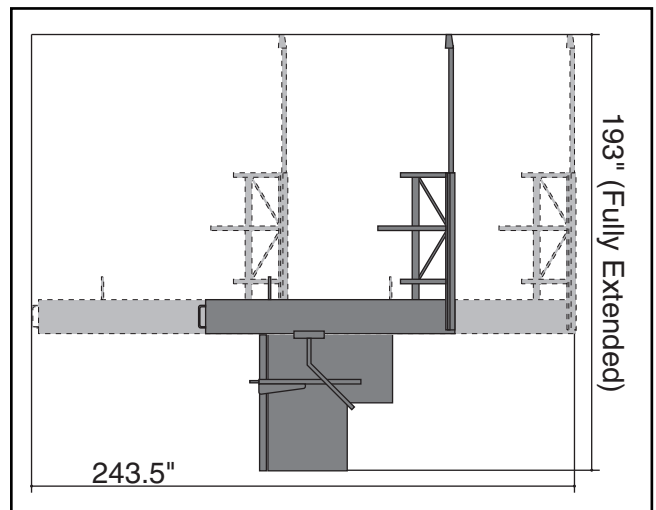
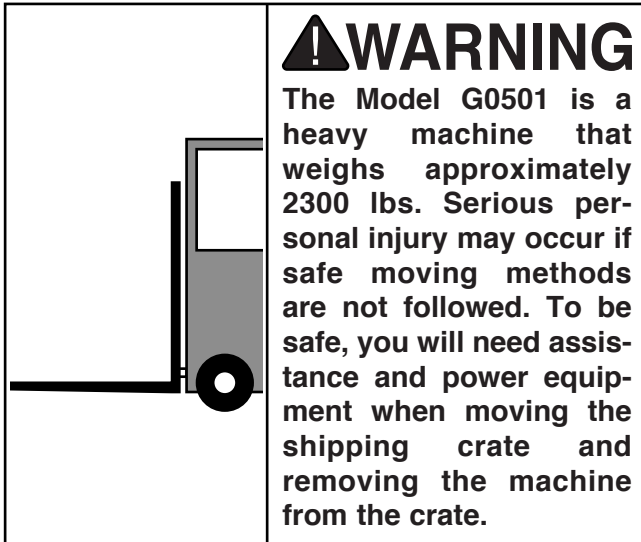


Figure 18. Working clearances.

	<p>! CAUTION Unsupervised children and visitors inside your shop could cause serious personal injury to themselves. Lock all entrances to the shop when you are away and DO NOT allow unsupervised children or visitors in your shop at any time!</p>
--	---



Moving & Placing Saw Base Unit



To remove the saw base unit from the crate pallet:

1. Cut off and remove all plastic straps from the crate.
2. Position the forklift forks together and directly above the saw.
3. Place two lifting straps over the forks and attach the ends to the lifting bolts as shown in **Figure 19**.



Figure 19. Lifting the saw base unit.

4. Lift the saw base unit and move it to your predetermined location.
5. Before lowering the saw into position, place safety blocks under the frame and thread the four foot studs into the frame at least half of their length.
6. Remove the safety blocks and lower the saw onto the feet as shown in **Figure 20** and remove the forklift straps.

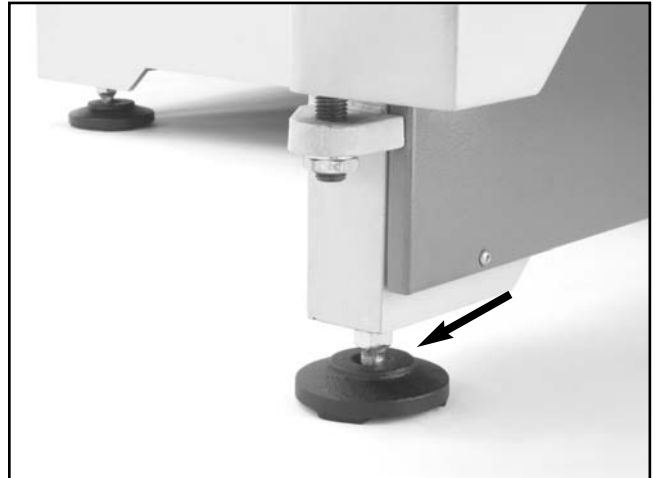


Figure 20. Foot studs placed in base feet.

7. Place a level on the saw table and adjust foot studs so the the saw table is level from left to right and from front to back.
8. Lock the foot studs in position by tightening their jam nuts against the machine body.



Setting Up Control Panel

To set up the control panel:

1. Using a 6mm hex wrench, remove the red control panel shipping brace shown in **Figure 21**.



Figure 21. Control panel shipping brace.

2. Remove the three cap screws on the face of the control panel to open the cover.
3. Remove the three cap screws and nuts from the inside left edge of the control panel (**Figure 22**).



Figure 22. Control panel face and side cap screws.

4. Swing the control panel against the frame of the saw and secure it in place with the three cap screws that you removed from the inside of the control panel in **step 3**.
5. Close the control panel face and secure it with the three cap screws that originally kept it closed, so the control panel is set up similar to the photo in **Figure 23**.



Figure 23. Control panel correctly set up.



Table Installation

Installing the sliding table is a difficult procedure because the sliding table is very heavy and because the attachment blocks inside the table need to be aligned with the attachment holes on the bottom of the table.

	<p>⚠ WARNING</p> <p>The sliding table for the Model G0501 weighs over 350 lbs. Use at least four strong people to lift it in position. Improper lifting techniques or inadequate lifting assistance could result in serious crushing or strain injuries.</p>
--	---

To install the sliding table:

1. Remove the red shipping brace, shown in **Figure 24**, from the blade tilt mechanism.

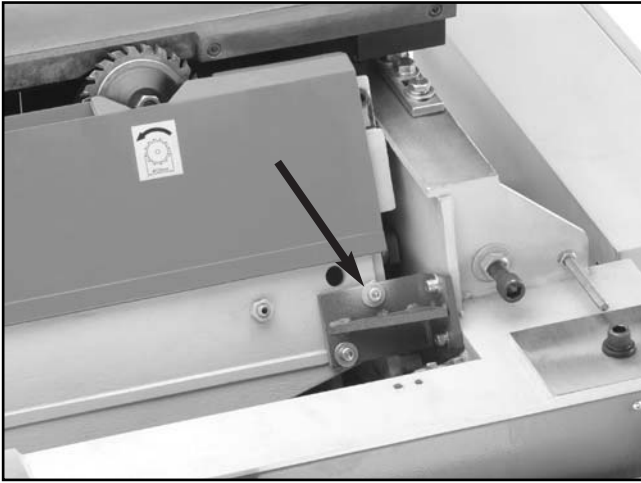


Figure 24. Blade tilt shipping brace.

2. Using a 12mm hex wrench, remove the three large cap screws (**Figure 25**) from the saw base unit.

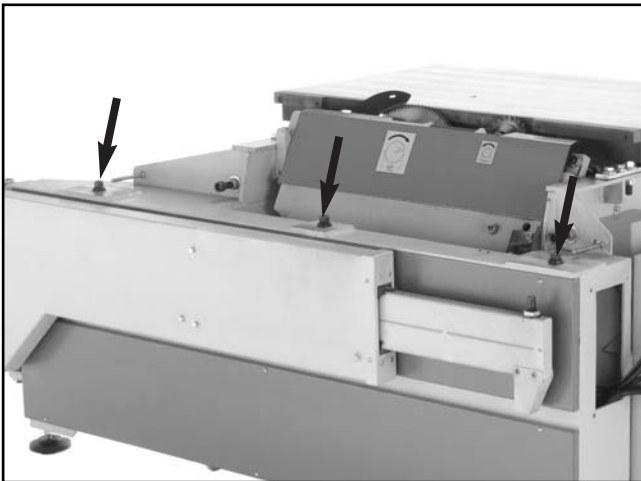


Figure 25. Three large caps screws to be removed from saw base unit.

3. Back out the parallel adjustment bolts shown in **Figure 26**, but do not completely remove them or the jam nuts that are installed on them.



Figure 26. Parallel adjustment bolts.

4. While the sliding table is still in its crate, pencil a light mark on the front of the table that references the middle mounting hole. Note—*This step will save time when positioning the sliding table on the base unit.*
5. Now, locate the middle attachment hole on the base unit (where you removed the large cap screws in **step 2**) and pencil a light alignment mark on the front of the machine base unit.
6. Use at least four strong people to lift the sliding table onto the base unit. The edge of the sliding table should be up against the edge of the base unit table and the penciled reference marks should be aligned with each other.
7. Have two of your assistants hold the sliding table in position so that it does not fall while you are securing it to the base unit.

8. Remove the shipping brace, shown in **Figure 27**, from the end of the sliding table.

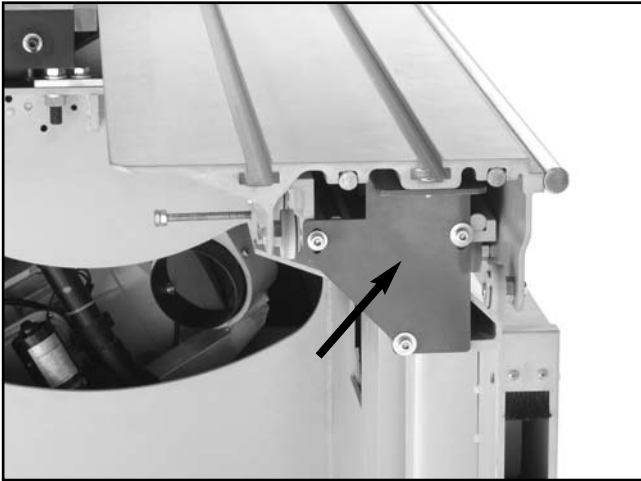


Figure 27. Sliding table shipping brace.

9. From the end of the sliding table, look inside the sliding table and locate the three attachment blocks. These need to be positioned over the attachment holes. The scale bar is an excellent tool for inserting into the table and positioning the blocks.
10. Starting at the middle hole, reach through the dust port opening and stick your finger in the attachment hole. Have your third assistant use the scale bar to push or pull the middle attachment block so that you can align it with your finger.
11. Once aligned, thread one of the large cap screws from the base into the attachment block, but DO NOT completely tighten with the hex wrench until instructed later in this manual.
12. Remove the two access panels from the back of the base unit (**Figure 28**) so that you can access both of the remaining attachment holes.
13. Utilizing the same procedures from **steps 10 & 11**, thread the remaining two cap screws from the base into the sliding table attachment blocks.
14. Install the sliding table handles and end cap (shown in **Figure 29 & 30**) with two flat head screws per each, securing from the top of the table.

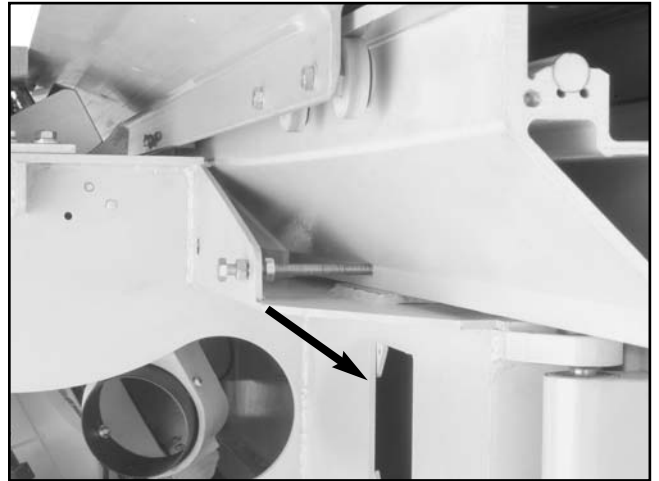


Figure 28. Access panel removed (one side shown).

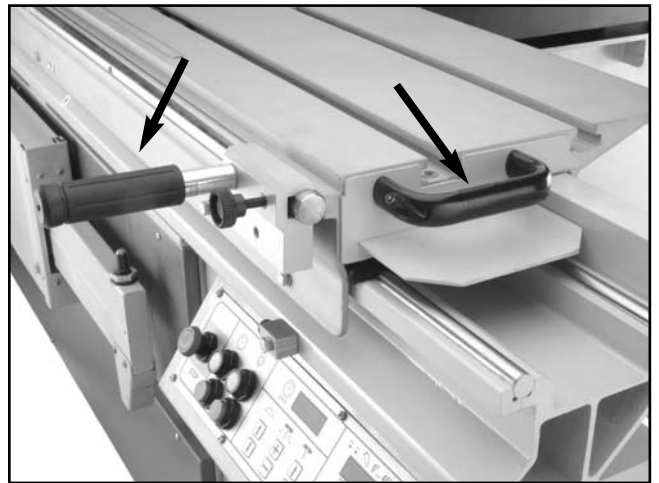


Figure 29. Sliding table handles.

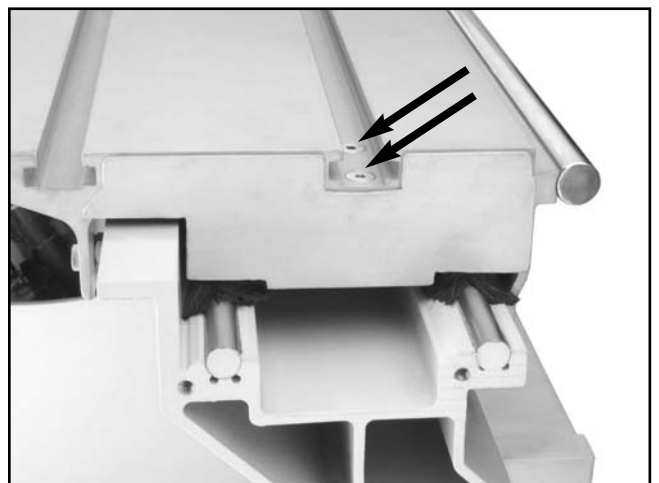


Figure 30. Sliding table end cap attachment screws.



Installing Blade Guard

The blade guard assembly consists of four pieces: Lower and upper support arms, a pivoting swing arm and a clear plastic blade guard shield.

To install the blade guard:

1. Remove the six bolts from the side of the motor cabinet.
2. Position the lower support arm over the holes on the side of the motor cabinet and secure it with the bolts and lock washers removed in **step 1**, so the assembly looks similar to **Figure 31**.

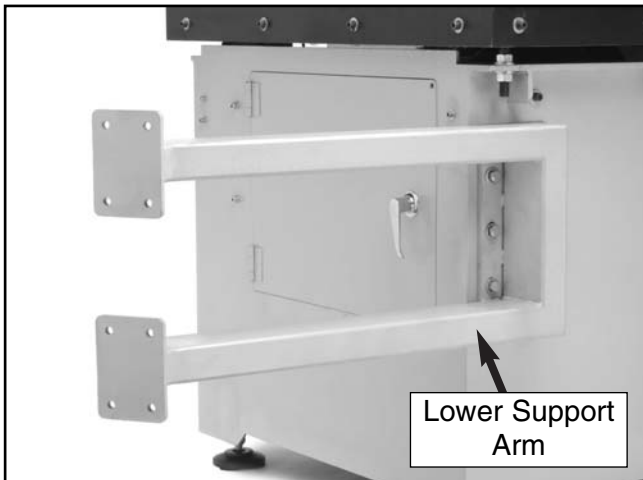


Figure 31. Lower support arm installed.

3. Unthread the eight bolts from the upper support arm.
4. Position the upper support arm over the holes in the lower support arm and secure it with the bolts removed in **step 3** (**Figure 32**).

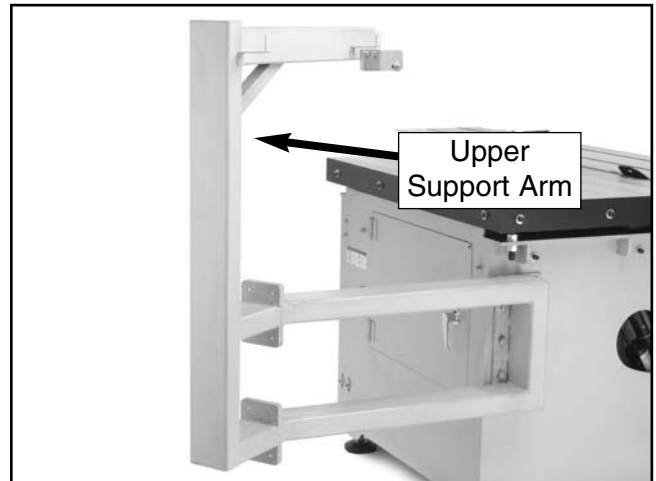


Figure 32. Vertical support installed.

5. Loosen the pivot bolt (**Figure 33**) at the end of the swing arm to position the steel mounting brace over the end of the upper support arm.

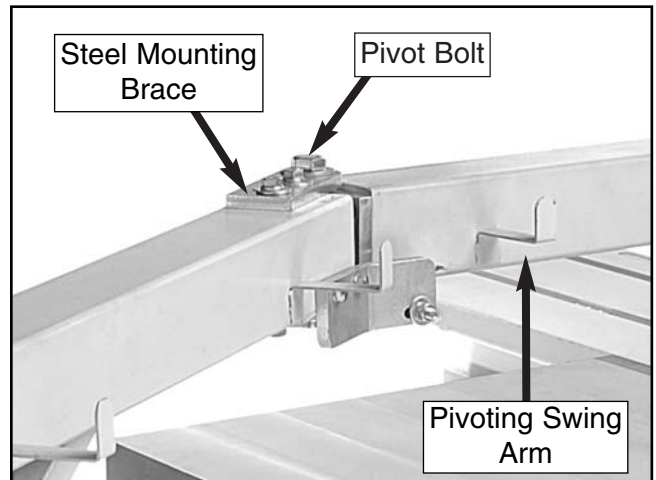


Figure 33. Pivot bolt.

6. Position the pivoting swing arm over the saw table (**Figure 34**) and secure it with four M10-1.5 x 25 bolts, lock washers and flat washers. Note—*Get assistance holding the swing arm in place while securing it to the support.*

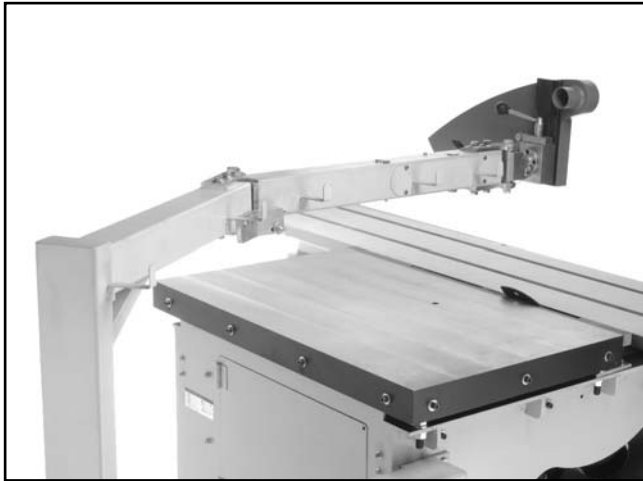


Figure 34. Pivoting swing arm installed on supports.

7. Remove the four cap screws under the blade guard and one cap screw at the front.
8. Position the clear blade shield guide holes under the blade guard arm (**Figure 35**) and secure it with the cap screws removed in **step 7**. Note—*Overtightening cap screws may crack the blade guard.*



Figure 35. Clear blade shield installed.



Installing Extension Tables

To install the extension tables:

1. Assemble the braces to the underside of the small and large extension table, as shown in **Figures 36 & 37**. Note—*Do not fully tighten the braces to the tables. They will need to be adjusted during installation.*



Figure 36. Large extension table and braces.



Figure 37. Small extension table and braces.

- Remove the three cap screws, lock washers and flat washers from the side of the table (**Figure 38**, white arrows) and remove the two cap screws from the motor cabinet (**Figure 38**, black arrows).

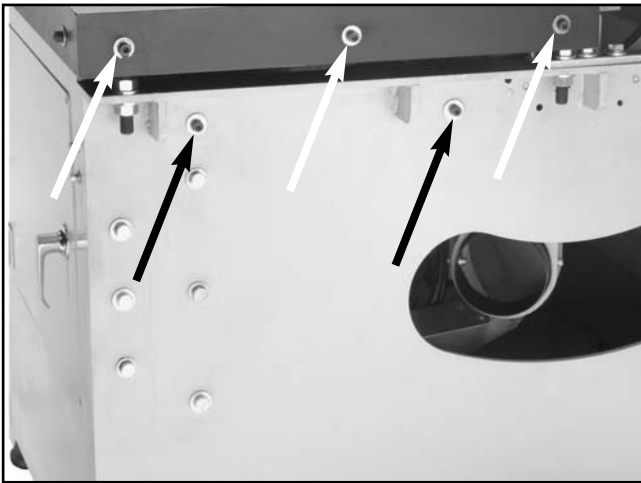


Figure 38. Hardware location for small table.

- Position the small extension table over the holes on the cast iron table and secure it with the three cap screws that you removed in **step 2** (**Figure 39**). Note—*Get assistance positioning the table and holding it in place while installing.*

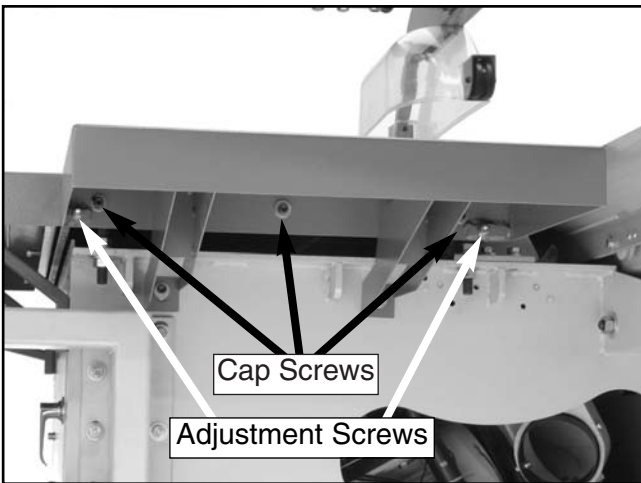


Figure 39. Small extension table installed.

- Use the adjustment screws (**Figure 39**) under the extension table to level the top surface with the saw table.
- When the surfaces are level, slide the table supports against the machine frame and secure them with the cap screws.

- Check the surfaces of the table with a straight edge as shown in **Figure 40**.



Figure 40. Checking with a straight edge.

- Position the adjustment screws between the table support braces and extension table to finely tune the table so it is level.
- To install the large extension table, move to the back of the saw and remove the four cap screws from cast iron table and the four cap screws from the cabinet.
- With the help of at least two assistants, install and level the large extension table in the same manner as the small extension table, using the hardware removed in **step 8**. **Figure 41** shows the large extension table installed correctly.



Figure 41. Large extension table installed.



Rip Fence

To install the rip fence:

1. Locate the fence rail and remove the last nut and washer from each threaded mounting post.
2. Position the three rail bolts in the location holes along the cast iron table and large extension table. Note—*The center mounting post is positioned closer to one end of the rail. Align the mounting posts with the mounting holes accordingly.*
3. Secure the rail by installing the washer and nut that were removed in **step 1** to the back-side of the tables. **Figure 42** shows the rail installed.



Figure 42. Fence rail installed.

4. Secure the fence scale to the edge of the cast iron/extension table edge with the four M6-1.0 x 30 flathead cap screws from the packing inventory.
5. Slide the rip fence clamping assembly onto the end of the fence rail (**Figure 43**). Note—*The fence clamping assembly will not slide onto the rail if the clamping lever is in the locked position.*



Figure 43. Installed clamp assembly.

6. Slide one end of the aluminum fence piece over the mounting track on the side of the fence clamping assembly. Note—*The aluminum fence piece should slide smoothly back and forth. The handle on the top of the clamping assembly rotates to lock the aluminum fence piece into position (**Figure 44**).*



Figure 44. Installing aluminum fence to clamping assembly in upward position.

Crosscut Table

7. Check if the bottom edge of the aluminum fence piece rests on the top surface of the table. Note—*The aluminum fence piece will scratch the table surface if the ride height is not adjusted correctly.*

— If the bottom edge of the aluminum fence piece **does not** rest on the table, then fence is correctly adjusted. Proceed to the next sub-section.

— If the bottom edge of the aluminum fence piece **does** rest on the table, then continue on to the next step.

8. Loosen the cam bolt located on the end of the fence clamp assembly (see **Figure 45**).

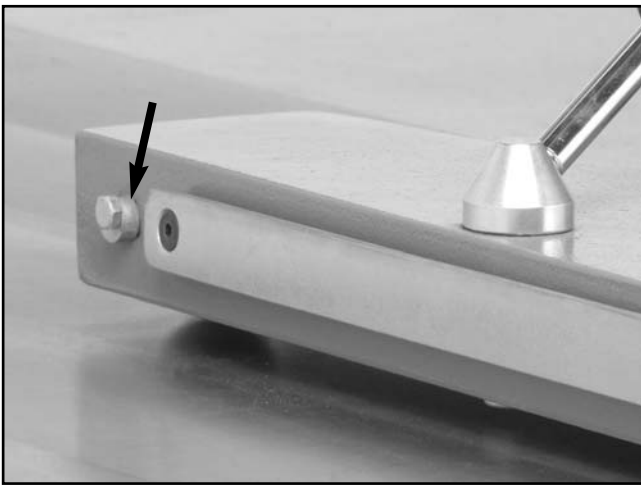


Figure 45. Installed clamp assembly.

9. Rotate the cam up or down to adjust the ride height of the fence.
10. Retighten the cam bolt and check the ride height. Re-adjust if necessary.



To assemble the crosscut table:

1. Swing the crosscut table brace away from the table saw base. Note—*A magnet holds the support against the base. A strong pull is necessary to free the support.*
2. Position the brace perpendicular to the long edge of the sliding table.
3. One end of the crosscut table has a clamping assembly designed to attach to the bar on the sliding table. The two cap screws (**Figure 46**) located under the clamp need to be backed out far enough to allow the clamp to slip over the bar on the sliding table.

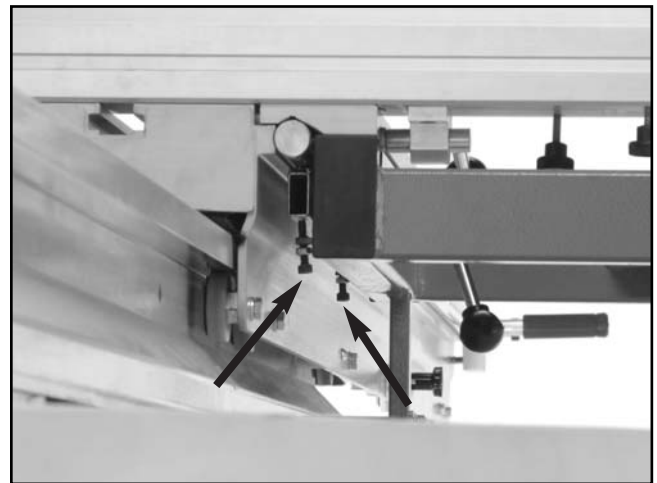


Figure 46. Cap screws used to secure the crosscut table clamping assembly.

4. Lift the crosscut table and slip the clamp over the bar on the sliding table and set the other end of the crosscut table onto the shaft that protrudes up from the brace (**Figure 47**).

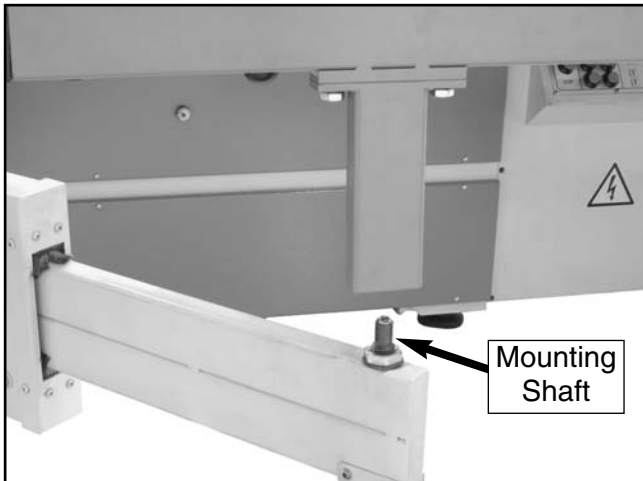


Figure 47. Mounting the crosscut table over the shaft on the brace.

5. Remove both end caps from the short cross-support and remove one end cap from the long cross-support as shown in **Figure 48**.

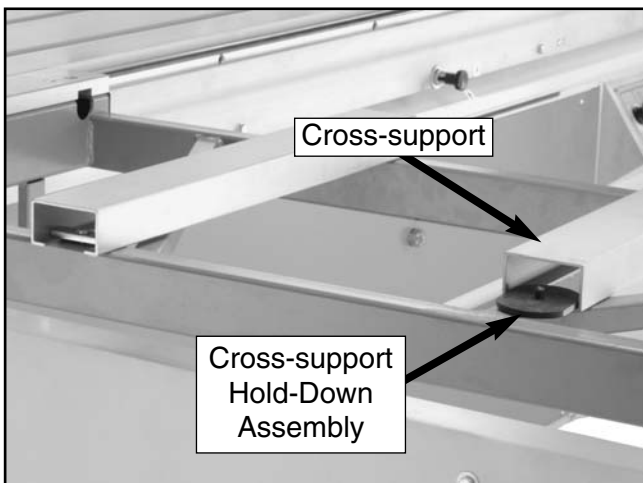


Figure 48. Cross-support assemblies.

6. Loosen the hold-down assemblies that secure each of the cross-supports.
7. Slide the cross-supports into position and secure them by tightening the hold-down assemblies.
8. Place the crosscut fence on the crosscut table so that the locating pins fit inside the guide holes.

9. Using the handles on the crosscut fence, slide the 2 cam lock rods into the crosscut table (**Figure 49**). Note—*Make sure the locking bolts on the crosscut fence are disengaged so the locating pins will easily fall into the table extension.*

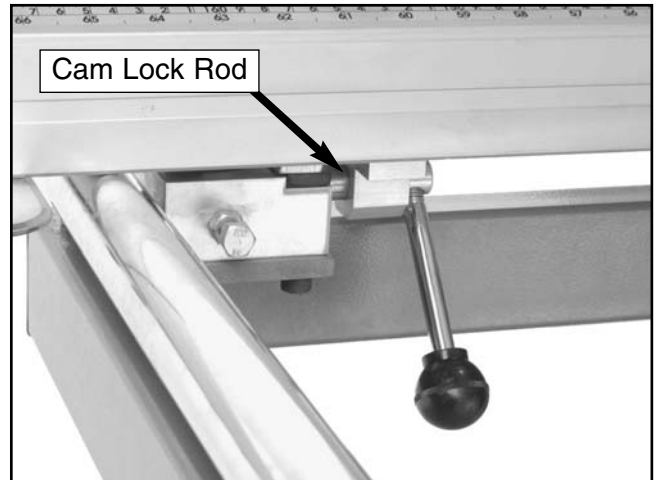


Figure 49. Cam lock rod (1 of 2).

10. Install the flip stop units in the crosscut fence by unlocking the extension piece and aligning the clamp bar on the bottom of the flip stop unit to slide it into the fence. The correct order of placement for the flip stop units is shown in **Figure 50**.

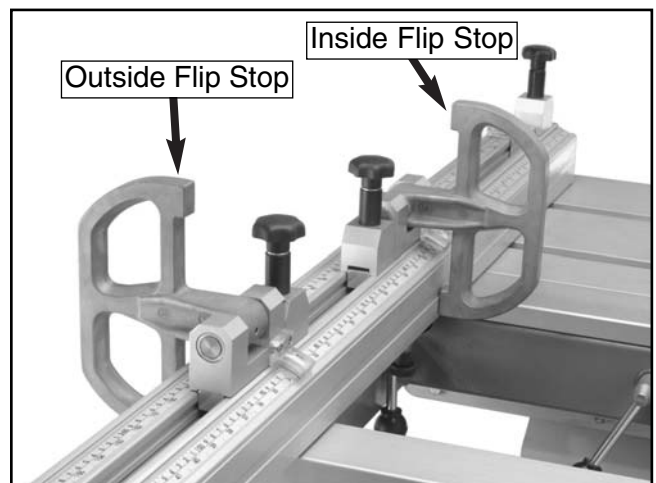


Figure 50. Correct order of flip stop unit placement.



Miter Fence

To install the miter fence:

1. Loosen the clamp plate with the ratchet handle to prepare the miter fence for installation.
2. Align the fixed bolt in the slot closest to the blade and align the clamp plate in the other slot as shown in **Figure 51**.

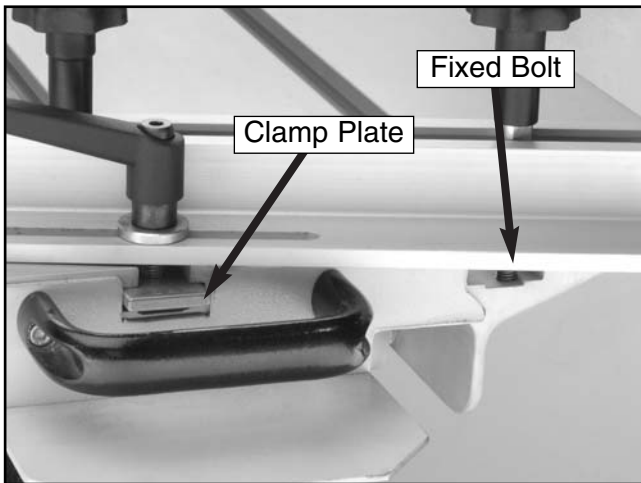


Figure 51. Miter fence components aligned for installation of miter fence.

3. Thread the fixed bolt into the fixed block. The miter fence should now slide up and down the angle range freely.
4. Position the fence at the desired angle and use the clamp plate ratcheting handle to lock the fence in place. **Figure 52** shows the miter fence set to 45° on the miter fence scale.



Figure 52. Miter fence set to 45° mark on the miter gauge scale.



Power Cord

The remaining adjustments in this section require you to connect the power cord to the saw and install a plug on the power cord. Before beginning, read *Section 3: Circuit Requirements* to make sure your setup meets the requirements of the machine.

To connect the saw to the power source:

1. Read through *Section 3: Circuit Requirements* to double-check that your setup follows the safety and circuit requirements, and that the power cord you have chosen meets the minimum requirements for this machine.
2. Open the control panel box.
3. Feed the power cord through the strain relief on the side of the control panel, and connect the cord wires to the main terminal (**Figure 53**).
4. Close the control panel door.

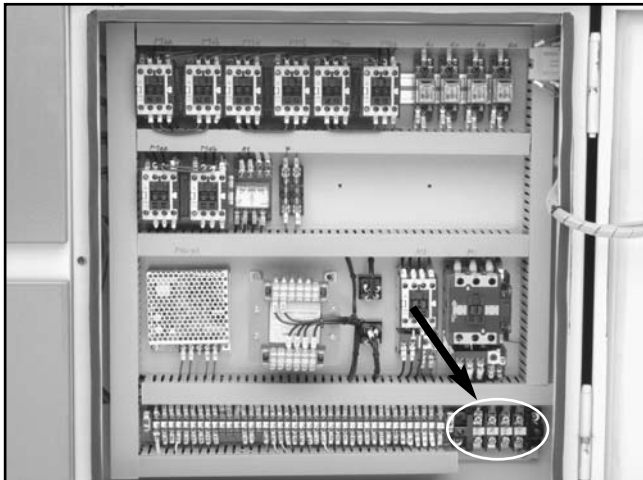


Figure 53. Main terminal located inside saw control panel.

5. Connect the power cord to an L15-30 Plug. Note—*You must have an L15-30 receptacle to use with the L15-30 plug.*



Test Run

Now that the machine is connected to the power source, it is important to perform a test run to make sure all the controls are working properly.

!WARNING

Before starting the saw, make sure you have performed the preceding assembly and adjustment instructions, and you have read through the rest of the manual and are familiar with the various functions and safety issues associated with this machine. Failure to follow this warning could result in serious personal injury or even death!

To test run the saw:

1. Put on safety glasses and make sure any bystanders are out of the way and also wearing safety glasses.
2. Turn the switch on the side of the control panel to *ON*. This is the main power switch.
3. At the front of the control panel, rotate the red *EMERGENCY STOP* button until it springs up. The control panel is now live and any buttons you push will react accordingly.
4. Turn to **page 14** and experiment with all of the controls until you are familiar and comfortable with them.
 - If the blade moves in the wrong direction, then disconnect the power and switch the power wires at the circuit breaker in the electrical box.
 - If any problems occur, press the *EMG STOP* button. Investigate and correct the problem before operating the machine further. If you need help, refer to the troubleshooting section in the back of this manual or contact our service department at (570) 546-9663.



Sliding Table Parallel Adjustment

Now is the point in the assembly process to make the sliding table parallel with the main saw blade and tighten the three large cap screws that were used to secure the sliding table to the saw base.

Besides the tools included with the saw, this procedure requires you to have a precision ruler, a felt tip pen, and the assistance of another person.

To adjust the sliding table parallel with the main blade:

1. Set the blade to 0° on the control panel (90° with the cast iron table).
2. Raise the main blade up as far as it will go.
3. Disconnect the saw from the power source!
4. Mark the center of the blade with a felt tip pen. This will allow you to take your measurements from the exact same place on the blade.
5. Move the sliding table all the way to one end, and using a precision ruler, measure the gap between the edge of the table and your mark on the blade as shown in **Figure 54**.

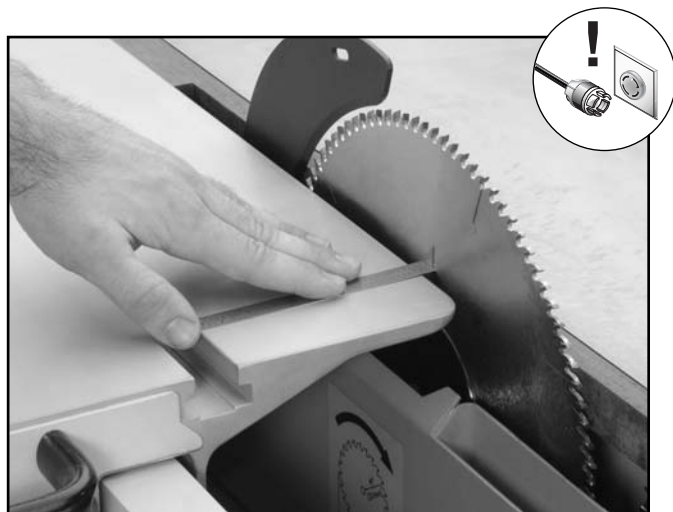


Figure 54. Measuring gap between sliding table edge and center of blade with a precision ruler.

6. Move the other end of the sliding table in front of the blade and measure the gap.
 - If the gap is the same on both sides, then the sliding table is already parallel with the main blade. Skip to **step 10**.
 - If the gap on one side is different than the other, then continue with **step 7**.
7. Move the end of the sliding table that needs to be adjusted in front of the blade.
8. Using the ruler, watch the gap measurement and have your assistant slowly make the adjustments at the parallel adjustment bolts (**Figure 55**) until the gap size is equal to the other side.



Figure 55. Sliding table parallel adjustment bolt (other side not shown).

9. Repeat **steps 5–6** until the gap between your mark on the blade and the edge of the sliding table is even at both ends.
10. Tighten the jam nuts on the parallel adjustment bolts to secure them in place
11. Now tighten the three large cap screws (**Page 23, Figure 25**) that secure the sliding table to the base.



Fence Scale Alignment

Before operation, the 0" mark on the rip fence scale must be aligned with the right side of the blade to ensure that the rip fence measurements will be accurate.

To align the fence scale with the blade:

1. Set the blade to 0° on the control panel (90° with the cast iron table).
2. Raise the main blade up as far as it will go.
3. Disconnect the saw from the power source!
4. Remove the stop bolt shown in **Figure 56**.



Figure 56. Rip fence stop bolts

5. Move the rip fence all the way against the blade as shown in **Figure 57**.

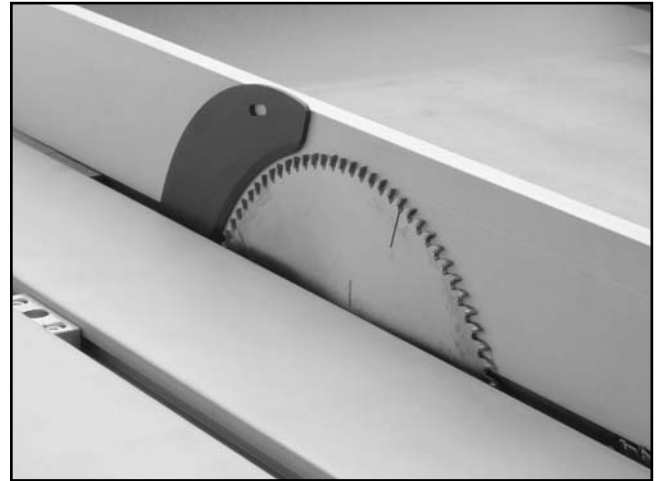


Figure 57. Rip fence aligned with blade.

6. Loosen the scale lock knob (**Figure 58**), adjust the scale 0" mark even with the fence, and tighten the scale knob to keep the scale in place.

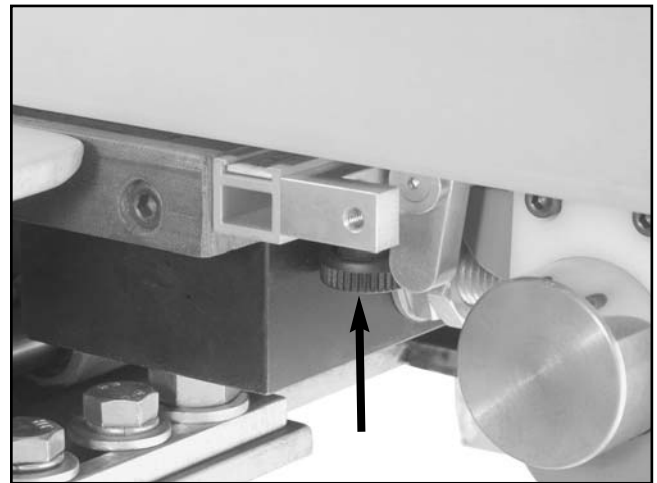


Figure 58. Rip fence scale lock knob.

7. Move the fence away from the blade and re-install the stop bolt that was removed in **step 4**.



Dust Collection

The Model G0501 is equipped with two dust ports that should be properly connected to a dust collection system before operation.

To connect the dust ports to a dust collection system:

1. Secure a 5" dust hose to the dust port located under the saw table (Figure 59).



Figure 59. 5" dust port location.

2. Run the 5" hose to your dust collection system.

3. Connect a 2" dust hose to the port located above the blade guard shown in Figure 60.

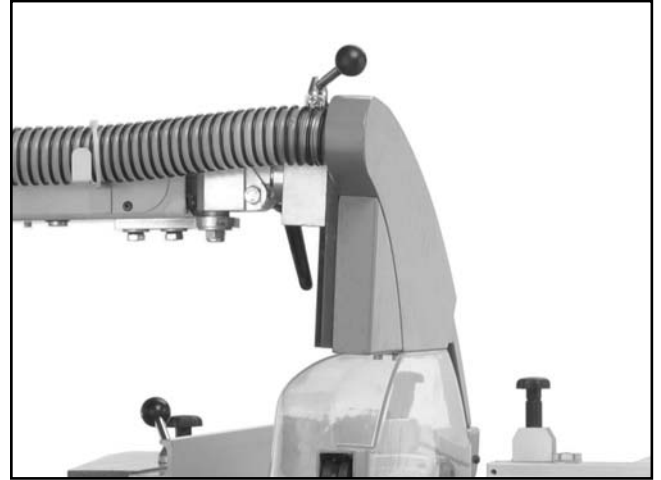


Figure 60. 2" dust port location.

4. Run the 2" hose along the braces on the back of the blade guard swing arm to your dust collection system. Make sure to leave extra slack in the dust hose near swing arm pivot points.

NOTICE

Remember maximum working clearances when installing dust hoses.

5. Run a ground wire along the dust hose and attach the wire to the machine to protect against static electricity.



SECTION 6: OPERATIONS

!WARNING

Damage to your eyes, lungs, and ears could result from using this machine without proper protective gear. Always wear safety glasses, a dust mask, and hearing protection when operating this machine.



!WARNING

Loose hair and clothing could get caught in machinery and cause serious personal injury. Keep loose clothing and long hair away from moving machinery.

NOTICE

The following section was designed to give instructions on the basic operations of this machine. However, it is in no way comprehensive of all of the machine's applications. **WE STRONGLY RECOMMEND** that you read books, trade magazines, or get formal training to maximize the potential of your machine.

Operation Tips

Your safety is important. The tips below are intended to supplement *Section 2: Safety*. But remember, no safety list can be comprehensive of every situation. The operator is ultimately responsible for their own safety, as well as the safety of bystanders. Every cutting operation is uniquely different and may require safety equipment or safety procedures not mentioned in this manual.

Please follow these tips EVERY time you use your saw:

- Stand to the left of the blade line-of-cut when performing a cutting operation.
- Turn off the saw and allow the blade to come to a complete stop before removing the cut-off piece.
- Make sure that the riving knife is always aligned with the main blade before cutting!
- Always position the blade guard to the correct height above the workpiece.
- Carefully plan each cutting operation to avoid injuries.
- When you release the sliding table lock, make sure that the knob is positioned so that it will not lock the table during a cut.



Changing Blade Tilt

The blade can be tilted anywhere from 0° to 45°.

To change the blade tilt:

1. Turn the main power switch ON.
2. Rotate the red *EMERGENCY STOP* button until it springs up.

3. Press *SET* on the keypad.



4. Type in your desired blade tilt. (For example: If you want the blade to tilt to 30°, type 3, 0.)



5. Press *START* on the keypad. The blade should now move to your desired tilt.



Changing Blade Speeds

The blades for the Model G0501 can operate at 3000, 4000, 5000, and 6000 RPM. This speed can be easily changed by moving the V-belt position on the main motor pulley and arbor pulley.

To change the blade speed:

1. **Disconnect the saw from the power source!**
2. Remove the cap screws on the top and bottom right corners, then open the motor cabinet door.
3. Move the belt tension handle (**Figure 61**) down to loosen the V-belt.

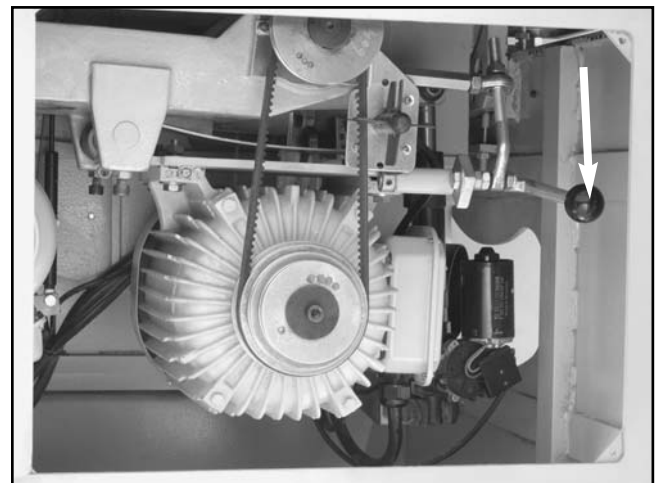


Figure 61. Belt tension release handle.

- Position the V-belt in one of the pulley locations illustrated in **Figure 62**, depending on your desired blade speed.

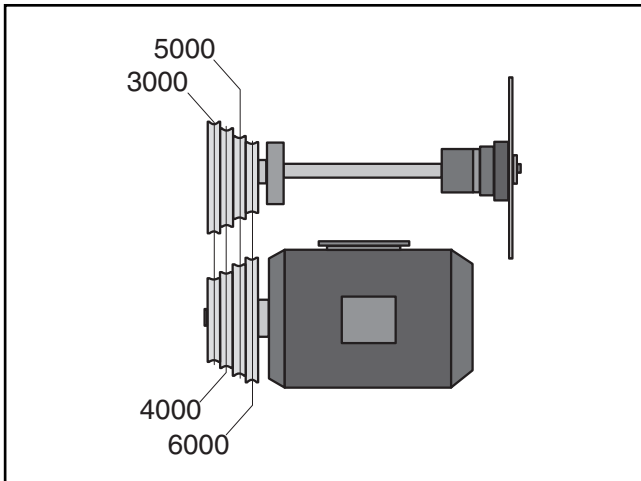


Figure 62. Belt speed diagram.

- Turn the pulley speed switch (**Figure 63**) so that the opening in the fins line up with the belt position. This switch registers the speed with the control panel.

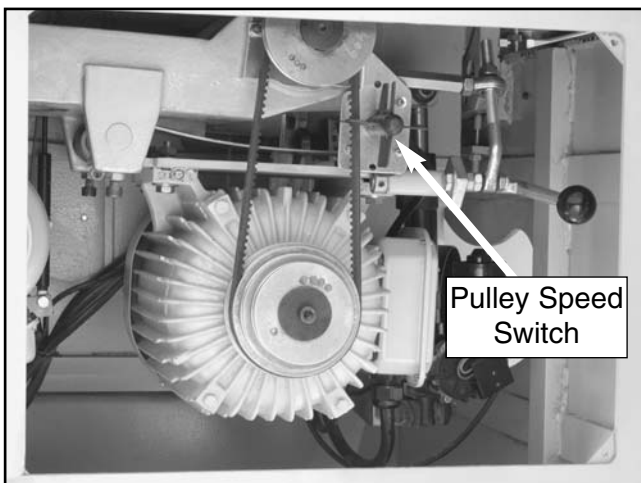


Figure 63. Pulley speed switch.

- Move the belt tension handle up to tighten the V-belt.
- Close and secure the motor cabinet door.



Aligning Scoring Blade Set

The scoring blade must be aligned with the main blade to ensure satisfactory cutting results. Before attempting to align the scoring blade with the main blade, the kerf thickness must match that of the main blade.

To align the scoring blade set:

- Move the blade tilt to 0° on the control panel (blade 90° to table), and raise the main blade and scoring blade set up as far as they will go.
- Remove the stop bolt from the rip fence, and move the rip fence against the main blade (or scoring blade) as shown in **Figure 64**.

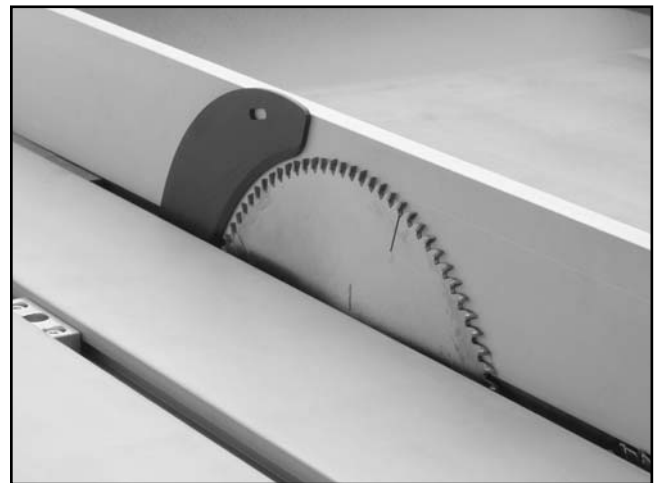


Figure 64. Fence against blade as a guide for aligning the scoring blade.

- Use the control panel to move the scoring blade so that the rip fence can touch both the scoring blade and the main blade when positioned as shown in **Figure 64**.
- Lower the scoring blade to the correct height and perform a test cut, then make any final adjustments.



Rip Cutting

The Model G0501 has the capability of rip cutting full size panels (**Figure 65**). The sliding table removes the burden of sliding a large and heavy panel over a stationary table surface.



Figure 65. Rip cutting setup with the sliding table.

This saw also has the capability of rip cutting smaller boards, using the machine as a traditional table saw (**Figure 66**). Smaller, lighter boards are easier to slide across the stationary cast iron table surface to the right of the saw blade.

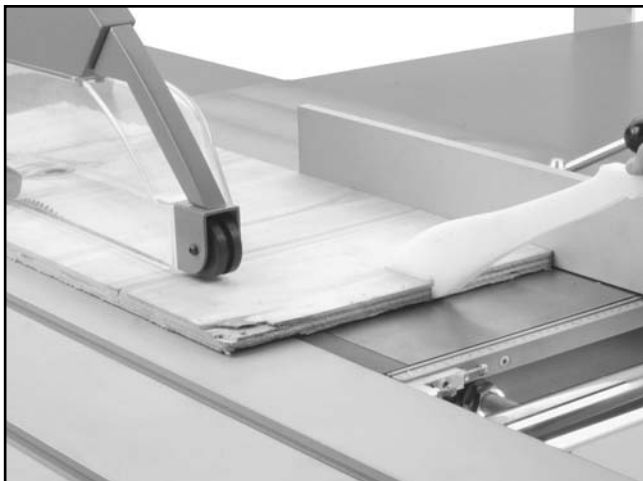


Figure 66. Rip cutting using the traditional table saw technique.

Determine which cutting operation will be best suited for the workpiece to be ripped.

- To use the sliding table, read the instructions titled “Rip cutting with the sliding table.”
- To use the machine as a traditional table saw, skip ahead to “Rip cutting using the traditional table saw technique.”

Rip cutting with the sliding table:

1. Mount the crosscut table to the sliding table.
2. Slide and secure the crosscut table to the end of the sliding table opposite the sliding table handle.
3. Install the crosscut fence in the guide pin holes shown in **Figure 67** and lock it in place with the cam locks. Note—*First, drop the crosscut fence into the outside edge guide pin hole, then drop the other end of the crosscut fence into the guide pin hole closest to the sliding table.*

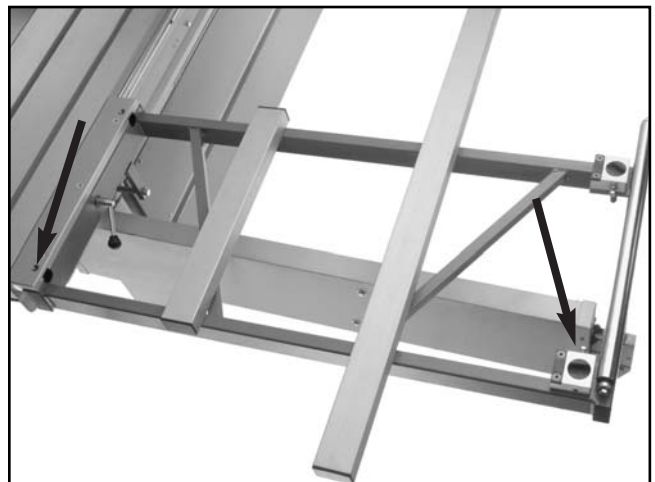


Figure 67. Guide pin holes used when mounting the crosscut fence for rip cutting operations.

4. Set either flip stop to the desired width-of-cut.

5. Position the blade guard to the correct height for your workpiece.
6. Load the workpiece onto the table saw. The set up should look similar to **Figure 65**.
7. Once all the necessary safety precautions have been taken, perform the cutting operation.

Rip cutting using the traditional table saw technique:

1. Slide the crosscut table out of the way.
2. Lock the sliding table into a stationary position.
3. Position the rip fence to the desired width-of-cut.
4. Slide the leading end of the rip fence so it is even with the center of the main saw blade as shown in **Figure 68**. Note—*This technique allows the finished cut-off piece to “fall” away from the blade when the cutting operation is complete; therefore, reducing the possibility of kickback and preventing the trailing corner of the workpiece from being nicked by the back edge of the blade.*

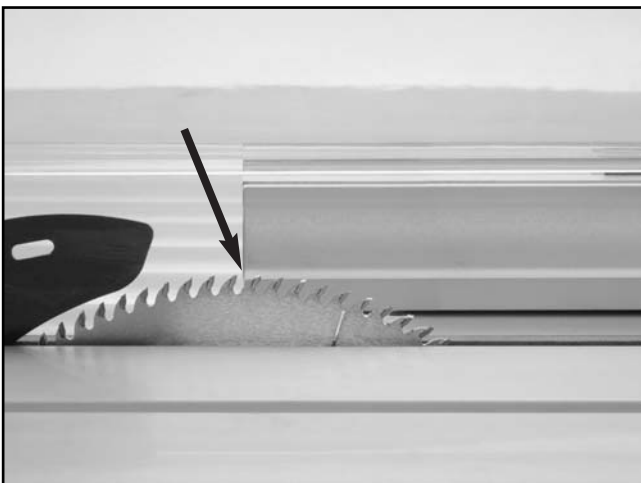


Figure 68. Rip fence set even with center of blade.

5. Position the blade guard to the correct height for your workpiece.
6. Once all the necessary safety precautions have been taken, load the workpiece onto the table saw and perform the cutting operation.



Crosscutting

With the crosscut fence mounted in the forward position (**Figure 69**), the Model G0501 has the capability of crosscutting full size panels.

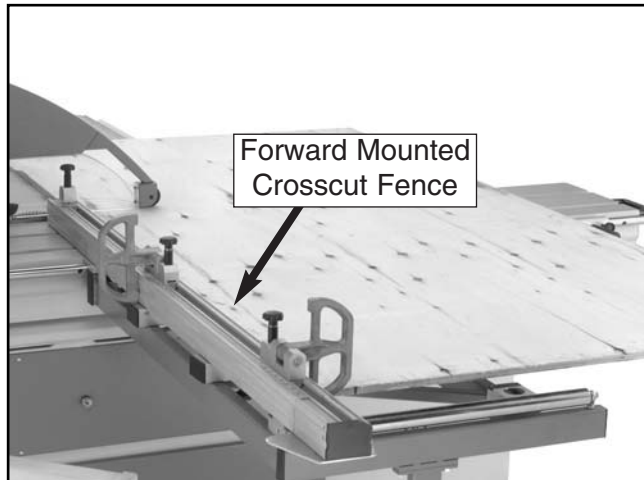


Figure 69. Crosscutting full size panel.

With the crosscut fence mounted in the rear position (**Figure 70**), this machine also has the capability of crosscutting smaller panels.

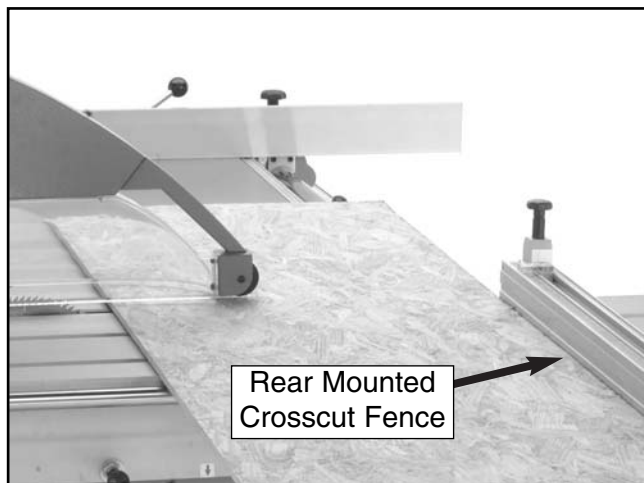


Figure 70. Crosscutting smaller panels.

Lastly, this machine has the capability of crosscutting workpieces while using the rip fence as a cut-off gauge (**Figure 71**).



Figure 71. Crosscutting workpieces using the rip fence as a cut-off gauge.

Determine which cutting operation will be best suited for the workpiece to be crosscut.

- If you will be crosscutting full size panels, then skip ahead to “Crosscutting full size panels.”
- If you will be crosscutting smaller panels, then skip ahead to “Crosscutting smaller panels.”
- If you will be crosscutting workpieces using the rip fence as a cut-off gauge, then skip ahead to “Crosscutting using the rip fence as a cut-off gauge.”

Crosscutting full size panels:

1. Mount the crosscut table to the sliding table.
2. Install the crosscut fence in the forward guide pin holes shown in **Figure 72** and lock it in place. Note—*First, drop the crosscut fence into the outside edge guide pin hole, then drop the other end of the crosscut fence into the guide pine hole closest to the sliding table.*

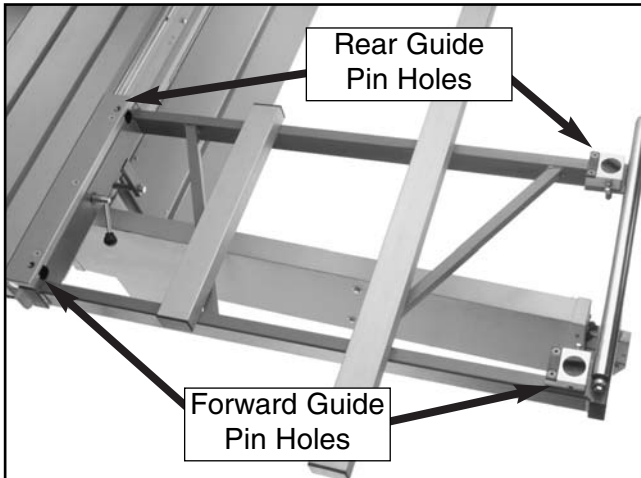


Figure 72. Guide pin holes used when mounting the crosscut fence for full size panel crosscutting.

3. Set either flip stop to the desired width-of-cut. Note—*If the workpiece extends to the left of the saw blade more than 66", then the crosscut fence slide needs to be extended.*
4. Position the blade guard to the correct height for your workpiece.
6. Load the workpiece onto the table saw. The set up should look similar to **Figure 69**.
7. Once all the necessary safety precautions have been taken, perform the cutting operation.

Crosscutting smaller panels:

1. Mount the crosscut table to the sliding table.
2. Install the crosscut fence in the rear guide pin holes shown in **Figure 72** and lock it in place. Note—*First, drop the crosscut fence into the outside edge guide pin hole, then drop the other end into the guide pin hole closest to the sliding table.*
3. Set either flip stop to the desired width-of-cut. Note—*If the workpiece extends to the left of the saw blade more than 66", then the crosscut fence slide needs to be extended.*
4. Position the blade guard to the correct height for your workpiece.
5. Load the workpiece onto the table saw. The set up should look similar to **Figure 69**.
6. Once all the necessary safety precautions have been taken, perform the cutting operation.

Crosscutting using the rip fence as a cut-off gauge:

1. Mount the crosscut table to the sliding table.
2. Install the crosscut fence in the rear guide pin holes shown in **Figure 72** and lock it in place. Note—*First, drop the crosscut fence into the outside edge guide pin hole, then drop the other end into the guide pin hole closest to the sliding table.*
3. Position the rip fence to the desired width-of-cut.
4. Load the workpiece onto the table saw. The set up should look similar to **Figure 71**.
5. Slide the leading end of the rip fence behind the back edge of the workpiece as shown in **Figure 73**. Note—*When using the crosscut fence, the workpiece should never be making contact with the saw blade and the rip fence at the same time.*

Miter Cutting



Figure 73. Correct rip fence position when performing crosscutting operations.

6. Position the blade guard to the correct height for your workpiece.
7. Once all the necessary safety precautions have been taken, perform the cutting operation.

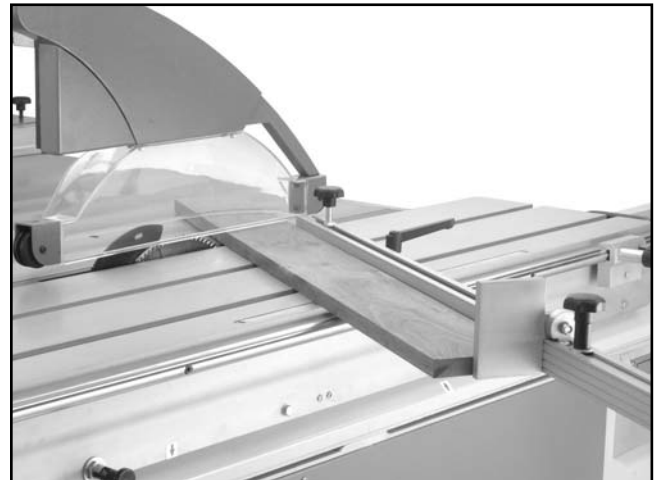


Figure 74. Example of miter cutting operation for a cut length less than 45".

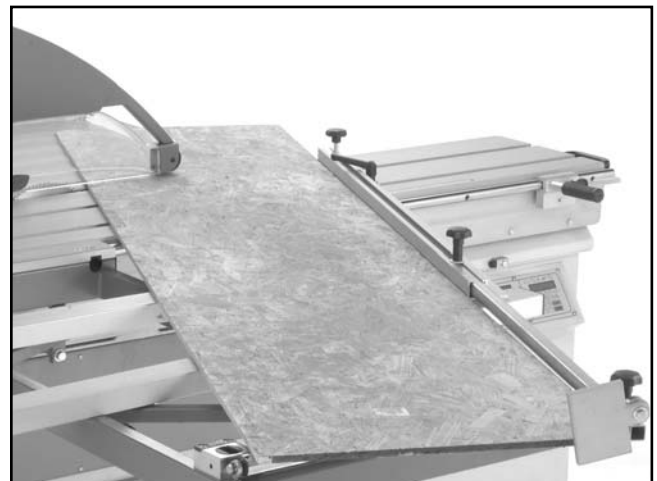


Figure 75. Example of miter cutting operation for a cut length over 45".

To perform a miter cut:

1. Mount the miter fence onto the sliding table.
2. Position the fence at the desired angle and use the clamp plate ratcheting handle to lock the fence in place. **Figure 76** shows the miter fence set to 45° on the miter fence scale.

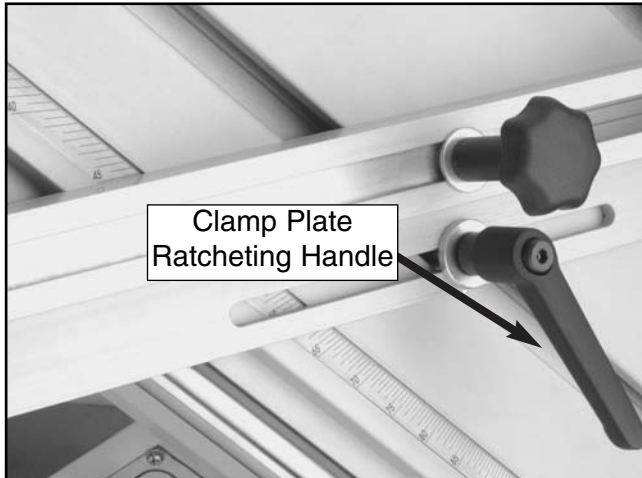


Figure 76. Miter fence set to 45° mark on the miter fence scale.

3. Loosen the lock knobs that secure the flip stop slide into position in the miter fence (**Figure 77**).

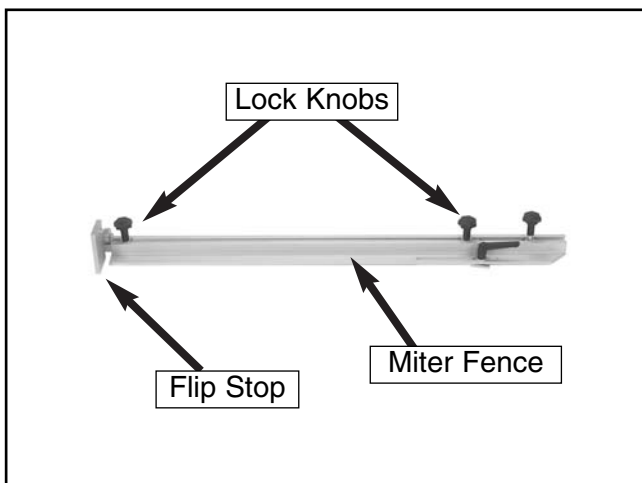


Figure 77. Flip stop slide lock knobs.

4. Position the flip stop according to the length of the workpiece you want to cut off to the left of the blade.
 - If the desired cut-off length to the left of the blade is between 9½" and 45", then the flip stop-end of the slide bar needs to be slid into the main miter fence body first (**Figure 78**).



Figure 78. Miter fence slide installation for cut lengths between 9½" and 45".

- If the desired cut-off length to the left of the blade is between 45" and 86½", then the slide bar end opposite the flip stop needs to be slid into the main miter fence body first (**Figure 79**).



Figure 79. Miter fence slide installation for cut lengths between 45" and 86½".

5. Position the blade guard to the correct height for your workpiece.
6. Load the workpiece onto the table saw. The set up should look similar to **Figure 74 or 75**.
7. Once all the necessary safety precautions have been taken, perform the cutting operation.



Changing Main Blade

The Model G0501 will perform best when high quality, sharp blades are used. Therefore, whenever the main blade starts to get dull, we recommend that you have it resharpened or replace it with a new blade.

Also, the Model G0501 is designed to accommodate either a 12" or a 14" main blade. But any time you change blade sizes, the appropriate sized riving knife must also be changed to match the size of blade you install.

To change main blade:

1. Move the blade tilt to 0° on the control panel (blade 90° to table).
2. **Disconnect the saw from the power source!**
3. Move the sliding table all the way to the left and push the release knob to expose the internal blade guard that covers the blades and riving knife, as shown in **Figure 80**.

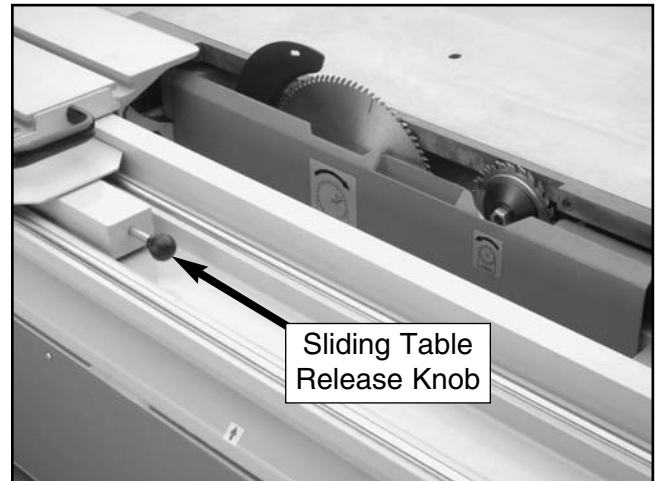


Figure 80. Blade assembly exposed.

4. Pull the blade guard away from the riving knife to expose the mounting assembly. (The internal blade guard is held in place with a magnet.)
5. Insert the arbor lock tool (shaft with the round knob) into the hole in the cast iron table and rotate the main blade until the arbor lock tool drops in place (**Figure 81**) and locks the blade.



Figure 81. Locking main blade with the lock tool.

6. Place a rag over the main blade and put leather gloves on your hands for protection.

- Using the 36mm arbor wrench, remove the arbor nut that secures the main blade (turn clockwise to loosen, as shown in **Figure 82**).



Figure 82. Removing arbor nut to change blade.

- Remove the arbor flange and the old main blade.
- Install the new main blade, replace the arbor flange and nut, and tighten the arbor nut to secure the main blade.

— If you changed blade diameter sizes during this procedure, now is the time to change riving knives. To do this, follow the instructions titled “Changing Riving Knives” in this manual.

— If the kerf thickness is different from your old blade, the scoring blade kerf must be adjusted to match the new main blade kerf. To do this, read the “Changing Scoring Blade Set” and stack the blade inserts to match same thickness as the new blade.

- Make sure the correct size riving knife is installed and aligned with the blade.
- Move the orange blade guard back into its original position, next to the blades, and center the sliding table.
- Align the scoring blade to the main blade as described in the “Aligning Scoring Blade Set” instructions.



Changing Riving Knives

The Model G0501 comes with a riving knives for use with 12" and 14" blades.

To change the riving knife:

- Move the blade tilt to 0° on the control panel (blade 90° to table), and raise the main blade as far as it will go.
- Disconnect the saw from the power source!**
- Move the sliding table all the way to the left and push the release knob to expose the internal blade guard (**Figure 83**) that covers the blades and riving knife.

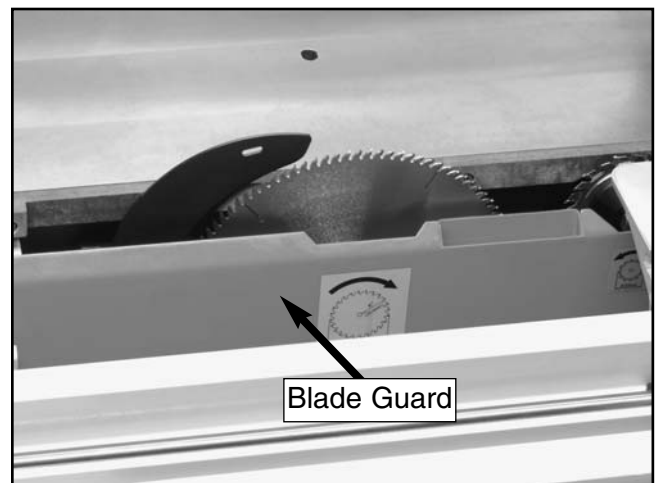


Figure 83. Blade guard exposed to access riving knife.

- Pull the blade guard away from the riving knife to expose the mounting assembly. (The internal blade guard is held in place with a magnet.)
- Remove the center bolt (**Figure 84**) in the mounting assembly to remove the mounting plate.
- Remove the currently installed riving knife and install the correct riving knife.

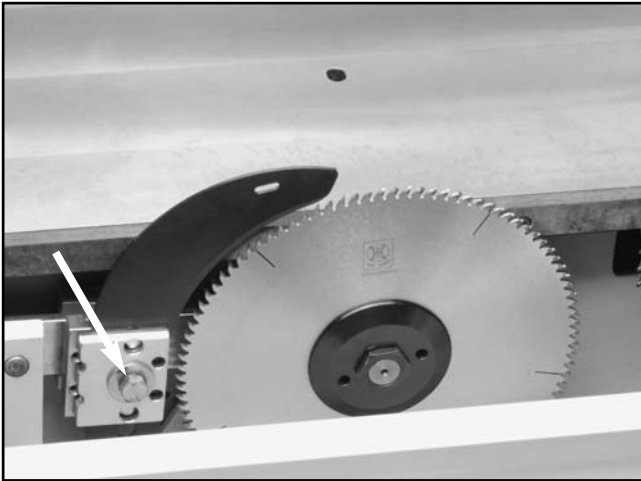


Figure 84. Center bolt in mounting assembly.

7. Replace the mounting plate and thread in the center bolt without completely tightening it.
8. Position the riving knife about 3mm or $\frac{1}{8}$ " away from the nearest carbide tooth on the main blade. Note—*For a quick gauge, use the 3mm hex wrench to find the correct spacing between the blade and the riving knife, as shown in **Figure 85**.*



Figure 85. Checking riving knife distance from blade tip with 3mm hex wrench.

9. Tighten the center bolt to secure the riving knife in position.
10. Move the internal blade guard (from **step 4**) back to its original position, and move the sliding table back to center.

Changing Scoring Blade Set

The scoring blade set consists of an inner and outer blade and four internal shims. Two of these shims are 0.008" thick and two are 0.004". These have been provided so the scoring blade set can match the kerf thickness of the main blade. **Figure 86** shows a the scoring blade set laid out for identification.

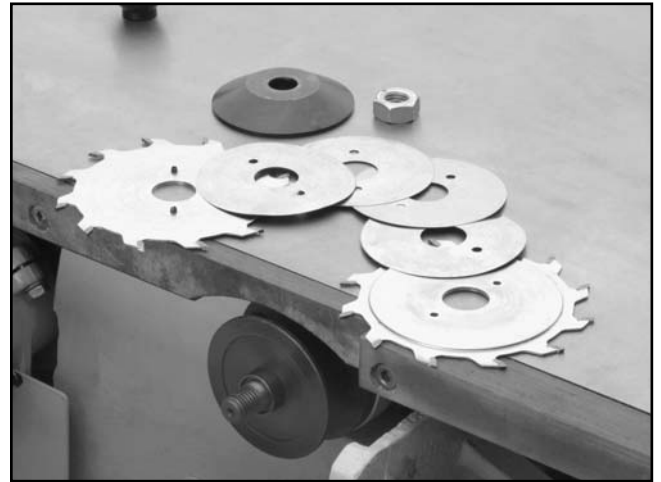


Figure 86. Scoring blade set separated for identification.

To change scoring blade set:

1. Move the blade tilt to 0° on the control panel (blade 90° to table), and raise the main blade and scoring blade up as far as they will go.
2. **Disconnect the saw from the power source!**
3. Move the sliding table all the way to the left and push the release knob (**Figure 87**) to expose the internal blade guard that covers the blades and riving knife.





Figure 87. Sliding table release knob.

4. Pull the blade guard away from the blades to expose the arbor nut as shown in **Figure 88**. (The internal blade guard is held in place with a magnet.)
5. Remove the main blade.

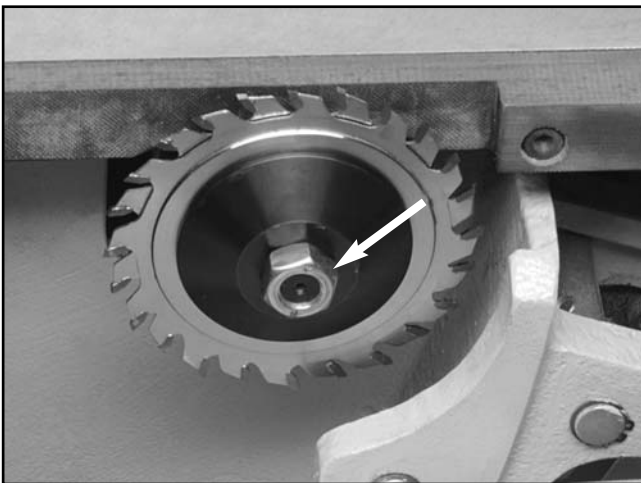


Figure 88. Scoring blade arbor nut.

6. Place a 23mm wrench behind the scoring blade on the flats of the arbor shaft, and use a 22mm wrench at the front to remove the arbor nut and flange, as shown in **Figure 89** (turn counter-clockwise).

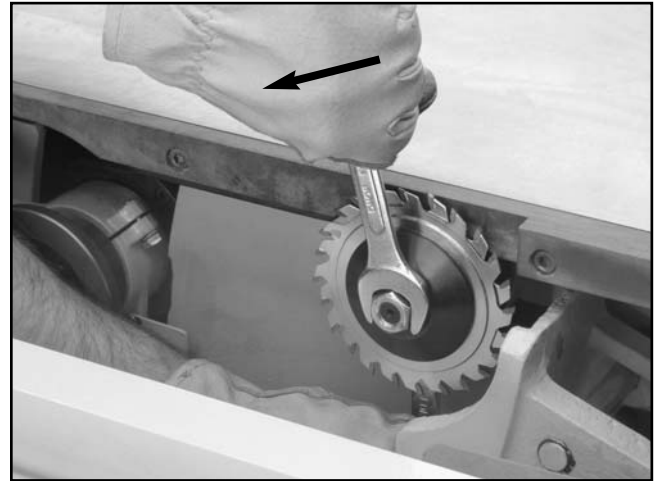


Figure 89. Loosening scoring blade arbor nut.

7. Remove the scoring blade set and replace with a new set that is stacked to the same kerf thickness as the main blade.
8. Install the flange and arbor nut, and tighten the arbor nut in the reverse order of **step 5**.
9. Move the orange blade guard back into its original position, next to the blades, and move the sliding table to its original position over the blades.
10. Align the scoring blade to the main blade as described in the “Aligning Scoring Blade Set” instructions in this manual.



SECTION 7: MAINTENANCE



Cleaning

Cleaning the Model G0501 is relatively easy. Vacuum excess wood chips and sawdust, and wipe off the remaining dust with a dry cloth. If any resin has built up, use a resin dissolving cleaner to remove it. Treat all cast iron and unpainted steel with a non-staining lubricant after cleaning.

Once a week:

- Clean sliding table surface and grooves.
- Clean the cast iron saw table.
- Clean the roller guideways for the sliding table.
- Clean the aluminum rip fence and sliding grooves.
- Clean the rip fence bracket.

Once a month:

- Vacuum inside the motor cabinet.



Miscellaneous

Always be aware of the condition of your machine. Routinely check the condition of the following items and repair or replace as necessary:

- Loose mounting bolts.
- Worn switch.
- Worn or damaged blade.
- Worn or damaged blade guard.



V-Belts

To ensure optimum power transmission from the motor to the blade and to the hydraulic pump, the V-belts must be in good condition (free from cracks, fraying and wear) and operate under proper tension. Check the V-belts at least every 3 months; more often if the saw is used daily.

See *Section 8: Service Adjustments* for instructions on replacing the belts, if needed.

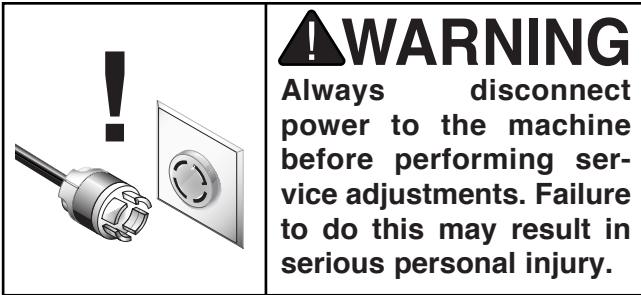


Bearings

The bearings are sealed and pre-lubricated and require no lubrication during their usable life. However, your saw components will operate at their best if the bearing surfaces are kept clean—this is especially important for the trunnion bearings.



SECTION 8: SERVICE ADJUSTMENTS



About Service

This section is designed to help the operator with adjustments that were made at the factory and that might also need to be made during the life of the machine.

This section is provided for your convenience—it is not a substitute for the Grizzly Service Department. If any adjustments arise that are not described in this manual, then feel free to call the Grizzly Service Department at (570) 546-9663.

Similarly, if you are unsure of how to perform any procedure in this section, the Grizzly Service Department will be happy to guide you through the procedures or help in any other way.



Replacing Belts

To change the V-belt on the main motor:

1. Move the blade tilt to 0° on the control panel (blade 90° to table), and raise the main blade and scoring blade set up as far as they will go.
2. **Disconnect the saw from the power source!**
3. Open the motor cabinet door.
4. Move the belt tension handle (**Figure 90**) down to loosen the V-belt.

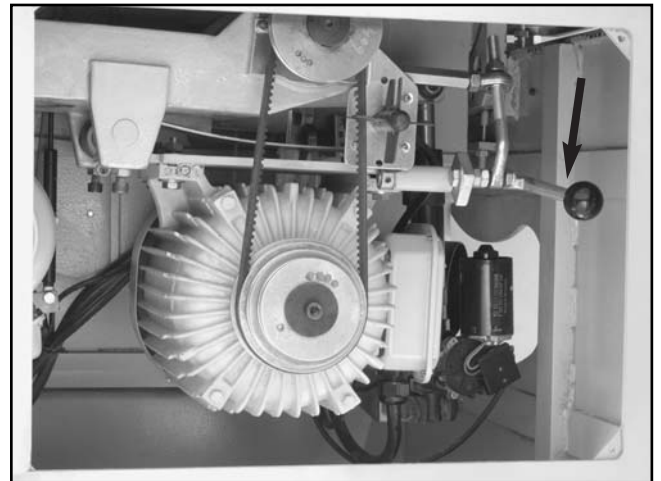


Figure 90. Belt tension handle.

5. Remove the old V-belt and replace it with a new belt.
6. Move the belt tension handle up to tighten the V-belt.
7. Close and secure the motor cabinet door.

To change the belt on the scoring blade motor:

1. Move the blade tilt to 0° on the control panel (blade 90° to table), and raise the main blade and scoring blade set up as far as they will go.
2. **Disconnect the saw from the power source!**
3. Open the motor cabinet door.
4. Jack up the scoring blade motor with a bottle jack, as shown in **Figure 91**, to loosen the belt. Note—Use wood blocks to raise the bottle jack.



Figure 91. Jacking up scoring motor with a bottle jack to remove the belt.

5. Remove the old belt and install a new belt in the center of the pulleys.
6. Let the jack down, so the weight of the motor tensions the belt.
7. Remove the jack and wood blocks, and close the motor cabinet door.



Calibrating Blade Tilt

The blade tilt is calibrated at the factory, but can be adjusted if it changes during the life of the machine.

To calibrate the blade tilt:

1. Move the blade tilt to 0° on the control panel (blade 90° to table), and raise the main blade as far as it will go.
2. Place a machinist's square on the table and against the blade.
3. Adjust the blade tilt until the blade is perfectly square with the table.
4. At the control panel, press *SET*.



5. Press 0.



6. Press and hold down *SET* for five seconds. This new setting will now be stored in the control panel.



Adjusting Riving Knife Alignment

The riving knife can be aligned with the blade by adjusting the four setscrews on the mounting plate.

To align the riving knife:

1. Move the blade tilt to 0° on the control panel (blade 90° to table), and raise the main blade and scoring blade set up as far as they will go.
2. **Disconnect the saw from the power source!**
3. Move the sliding table all the way to the left and push the release knob to expose the internal blade guard that covers the blades and riving knife.
4. Pull the blade guard away from the riving knife to expose the mounting assembly as shown in **Figure 92**. (The internal blade guard is held in place with a magnet.)



Figure 92. Riving knife securing bolt.

5. Loosen the securing bolt on the riving knife mounting plate.
6. Place the rip fence across the carbide teeth of the main blade and across the riving knife.
7. Adjust the four setscrews (**Figure 93**) in/out until the riving knife is aligned with the carbide teeth of the main blade.

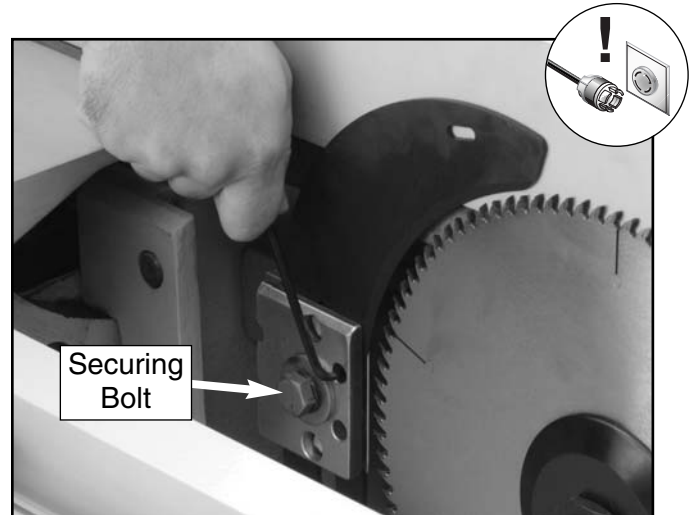


Figure 93. Adjusting riving knife alignment.

8. Tighten the securing bolt to lock the riving knife in place.
9. Move the blade guard back into position and center the sliding table.



Squaring Crosscut Fence to Blade

Squaring the crosscut fence to the blade ensures that cuts made with the crosscut fence will be square. This procedure can be done by using a piece of scrap plywood as a test piece and making five test cuts, then adjusting the fence as necessary.

To square the crosscut fence with the blade:

1. Make sure the blade is parallel with the sliding table.
2. Prepare the scrap test piece by cutting it to 32" x 32".
3. Number all four sides of the test piece.
4. Using the crosscut fence, cut $\frac{1}{2}$ " off of each side of the test piece.
5. Measure the test piece diagonally from corner-to-corner, at all four corners, as shown in **Figure 94**.

— If both measurements are not within $\frac{1}{16}$ ", then the crosscut fence needs to be adjusted. Proceed to **step 6**.

— If both measurements are within $\frac{1}{16}$ " then you are finished with this procedure.

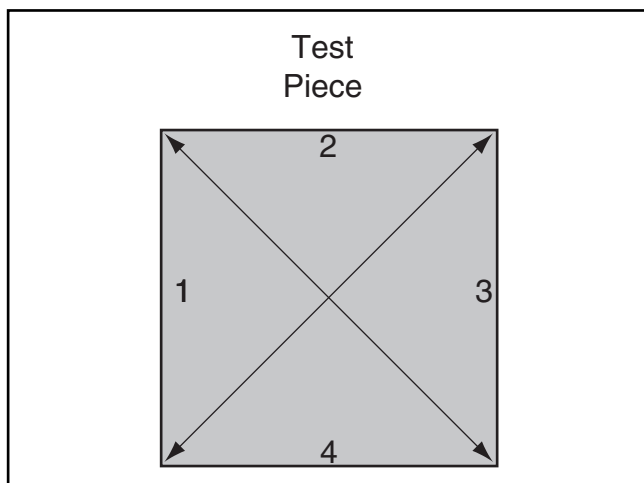


Figure 94. Crosscut fence adjustment test piece.

6. Loosen the jam nut and lock bolt shown in **Figure 95**.
7. Rotate the adjustment bolt, shown in **Figure 95**, to move the fence in the necessary direction that is needed to make the crosscut fence square.

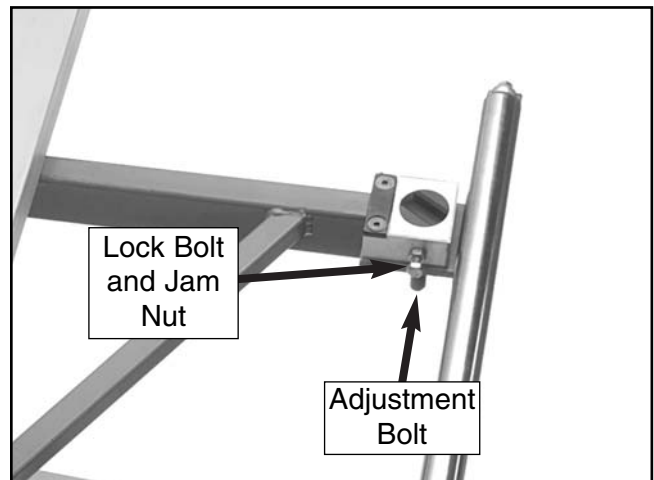


Figure 95. Crosscut fence adjustment mechanism (fence removed for clarity).

8. Tighten the lock bolt and jam nut.
9. Repeat **steps 4-8**.



SECTION 9: REFERENCE INFO

The following pages contain aftermarket accessories information, the machine data sheet, parts diagrams, parts lists, wiring diagrams, troubleshooting information and Warranty/Return information for your Model G0501.

If you need parts or help in assembling your machine, or if you need operational information, call the Grizzly Service Department. Trained service technicians will be glad to help you.

If you have any comments regarding this manual, please write to Grizzly at the address below:

Grizzly Industrial, Inc.
% Technical Documentation
P.O. Box 2069
Bellingham, WA 98227-2069

We recommend you keep a copy of our current catalog for complete information regarding Grizzly's warranty and return policy. If you need additional technical information relating to this machine, or if you need general assistance or replacement parts, please contact the Service Department at the location listed below.

Grizzly Industrial, Inc.
1203 Lycoming Mall Circle
Muncy, PA 17756
Phone: (570) 546-9663
Fax: (800) 438-5901
E-Mail: techsupport@grizzly.com
Web Site: <http://www.grizzly.com>.

Aftermarket Accessories

Replacement Blades

80 Tooth Carbide Tipped 14" BladeH3388
100 Tooth Carbide Tipped 14" BladeH3389





MACHINE DATA SHEET

Customer Service #: (570) 546-9663 • To Order Call: (800) 523-4777 • Fax #: (800) 438-5901

MODEL G0501 SLIDING TABLE SAW

Design Type Floor Model

Overall Dimensions:

Overall Width110" (218" w/Sliding Table Extended)
 Overall Depth.....132"
 Overall Height55"
 Table Height35½"
 Table Size (w/Extension Wings)55" W x 60" D
 Sliding Table Size110" W x 15" D
 Sliding Table T-Slot Size7/8" W x 3/4" H x (1 13/32" W)
 Machine Net Weight (Fully Assembled).....2314 lbs.
 1 of 2 Crate Size90½" W x 52¼" D x 40¼" H x 2310 lbs.
 2 of 2 Crate Size115½" W x 18" D x 11½" H x 440 lbs.
 Base Footprint.....64½" W x 39" D

Capacities:

Maximum Blade Diameter14"
 Maximum Depth of Cut at 90°3 15/16"
 Maximum Depth of Cut at 45°2 3/4"
 Blade Tilt0-45°
 Table w/Rip Fence Max Cutting Width.....51¼"
 Sliding Table w/Cross Fence Max Cutting Width118"
 Sliding Table w/Cross Fence Max Cutting Length110¼"
 Miter Fence Cutting Width at 45°59"

Construction:

Sliding TableAluminum
 Machine Frame.....Steel
 Fence.....Single Lever Locking, Extruded Aluminum Sides
 RailsChromed Steel
 TrunnionsCast Iron
 Spindle BearingsSealed and Lubricated Ball Bearings

Main Motor:

Arbor1"
 Arbor Speed3000/4000/5000/6000 RPM
 Horsepower.....10 HP
 Phase/Cycle3-Phase, 60 HZ
 Voltage (Prewired 220V)220/440V
 Amps25/12.5A
 Motor RPM3450
 BearingsShielded & Lubricated Ball Bearings
 Power TransferBelt Drive
 SwitchMagnetic w/Thermal Overload Protection

Scoring Motor:

Arbor22mm & 3/4"
Arbor Speed.....8000 RPM
Horsepower.....1 HP
Phase/Cycle3-Phase, 60 HZ
Voltage220/440V
Amps3/1.5A
Motor RPM3450
BearingsShielded & Lubricated Ball Bearings
Power TransferBelt Drive
SwitchMagnetic w/Thermal Overload Protection

Features:

.....Saw Blade Guard w/2" Dust Port
.....5" Main Dust Port
.....Digital Control Panel
.....Riving Knife Alignment is Adjustable
.....Electronic Scoring Knife Alignment Controls
.....12" and 14" Riving Knives Included
.....Adjustable Scoring Knife Kerf
.....Clear Blade Guard w/Rollers

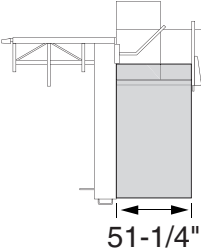
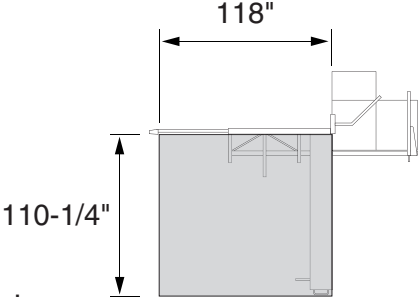
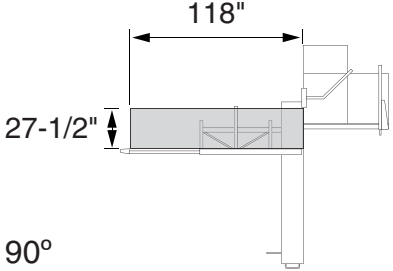
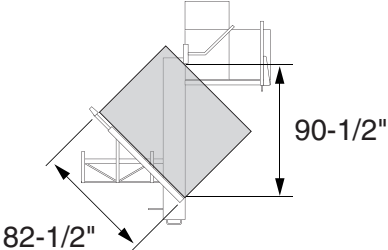
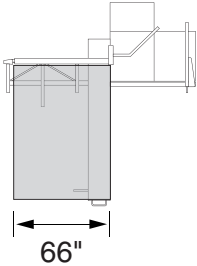
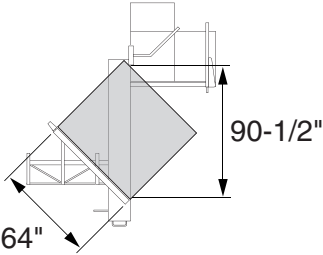
Specifications, while deemed accurate, are not guaranteed.



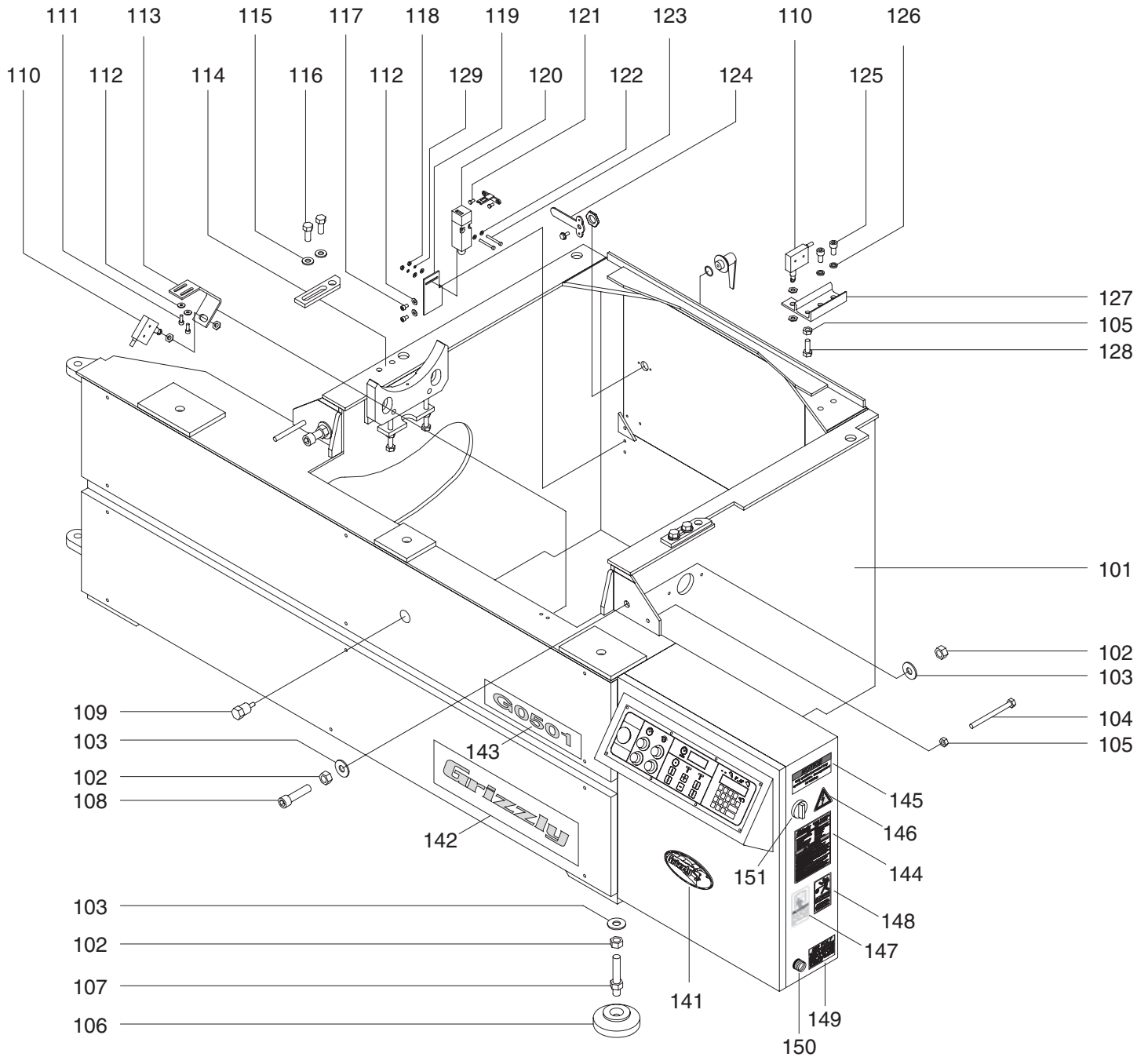
SLIDING TABLE SAW CAPACITIES

Customer Service #: (570) 546-9663 • To Order Call: (800) 523-4777 • Fax #: (800) 438-5901

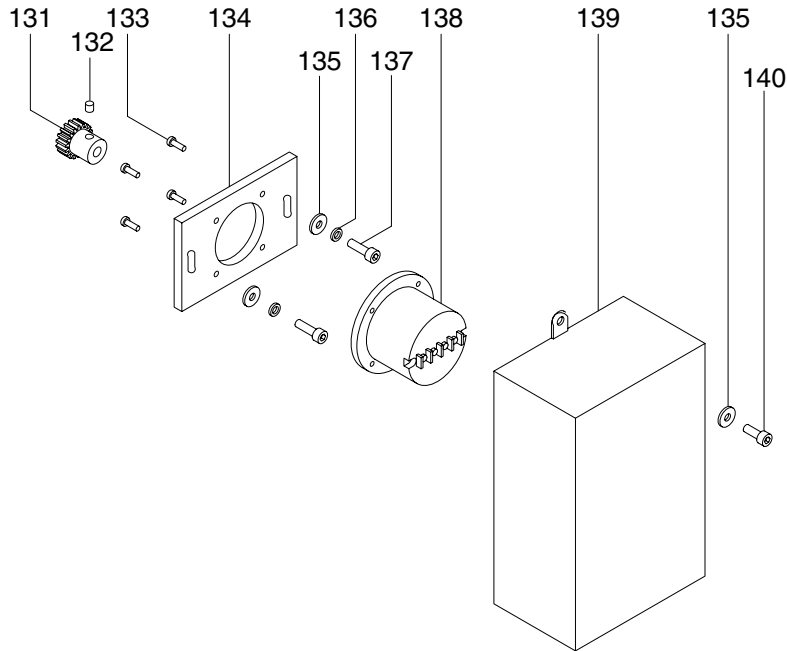
MODEL G0501 14" SLIDING TABLE SAW

 <p>Ripping Width</p>	 <p>Cross Cut</p>
 <p>Miter Cut 90° (push cut)</p>	 <p>Miter Cut 45° (push cut)</p>
<p>(NO CAPACITY)</p> <p>Miter Cut 45°</p>	 <p>Cross Cut (fence not extended)</p>
 <p>Miter Cut 45° (push cut, fence not extended)</p>	<p>(NO CAPACITY)</p> <p>Miter Cut 45° (fence not extended)</p>

G0501 Machine Frame Assembly



G0501 Saw Angle Measurement Assembly

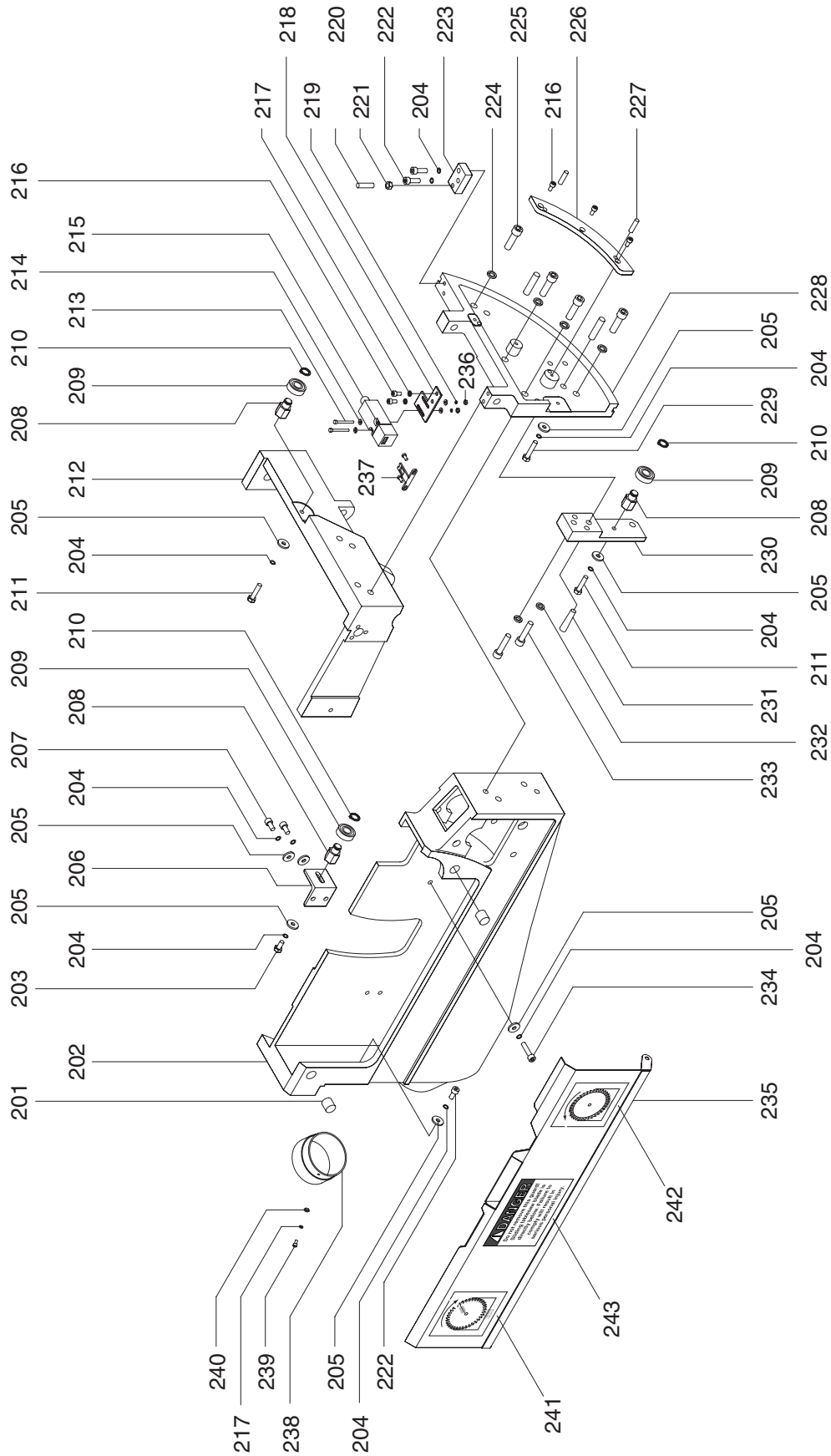


G0501 Machine Frame/Saw Angle Measurement Assemblies

REF PART #	DESCRIPTION	
101	P05010001	MACHINE FRAME
102	PN13M	HEX NUT M16-2.0
103	PW08M	FLAT WASHER 16MM
104	PB111M	HEX BOLT M10-1.5 X 120
105	PN02M	HEX NUT M10-1.5
106	P05010006	PRESSURE PIECE
107	P05010007	LEVELING STUD
108	PSB104M	CAP SCREW M16-2.0 X 65
109	P05010009	MAGNETIC SCREW
110	P05010010	LIMIT SWITCH
111	PSB01M	CAP SCREW M6-1.0 X 16
112	PW03M	FLAT WASHER 6MM
113	P05010013	PLATE
114	P05010014	FIXED POSITION IRON
115	PW06M	FLAT WASHER 12MM
116	PB27M	HEX BOLT M12-1.75 X 30
117	PSB04M	CAP SCREW M6-1.0 X 10
118	PN04M	HEX NUT M4-.7
119	P05010019	PLATE
120	P05010020	SAFETY SWITCH
121	PSB50M	CAP SCREW M5-.8 X 10
122	PW05M	FLAT WASHER 4MM
123	PSB46M	CAP SCREW M4-.7 X 40
124	P05010024	HANDLE
125	PSB61M	CAP SCREW M10-1.5 X 20

REF PART #	DESCRIPTION	
126	PLW06M	LOCK WASHER 10MM
127	P05010027	U-PROFILE
128	PB01M	HEX BOLT M10-1.5 x 30
129	PLW02M	LOCK WASHER 4MM
131	P05010031	GEAR
132	PSS02M	SET SCREW M6-1.0 X 6
133	PSB23M	CAP SCREW M4-.7 X 12
134	P05010034	BASE PLATE
135	PW03M	FLAT WASHER 6MM
136	PLW03M	LOCK WASHER 6MM
137	PSB01M	CAP SCREW M6-1.0 X 16
138	P05010038	ENCODER
139	P05010039	COVER
140	PSB26M	CAP SCREW M6-1.0 X 12
141	G8589	GRIZZLY NAMEPLATE
142	P05010142	GRIZZLY LOGO STRIP
143	P05010143	G0501 MODEL NAME
144	P05010144	G0501 MACHINE ID LABEL
145	P05010145	G0501 NOTICE LABEL
146	PLABEL-14	ELECTRIC LABEL
147	PLABEL-12	READ MANUAL LABEL
148	P05010148	KICKBACK HAZARD LABEL
149	P05010149	PREWIRED 220V LABEL
150	P05010150	STRAIN RELIEF
151	P05010151	MAIN POWER SWITCH

G0501 Chip Channel Assembly

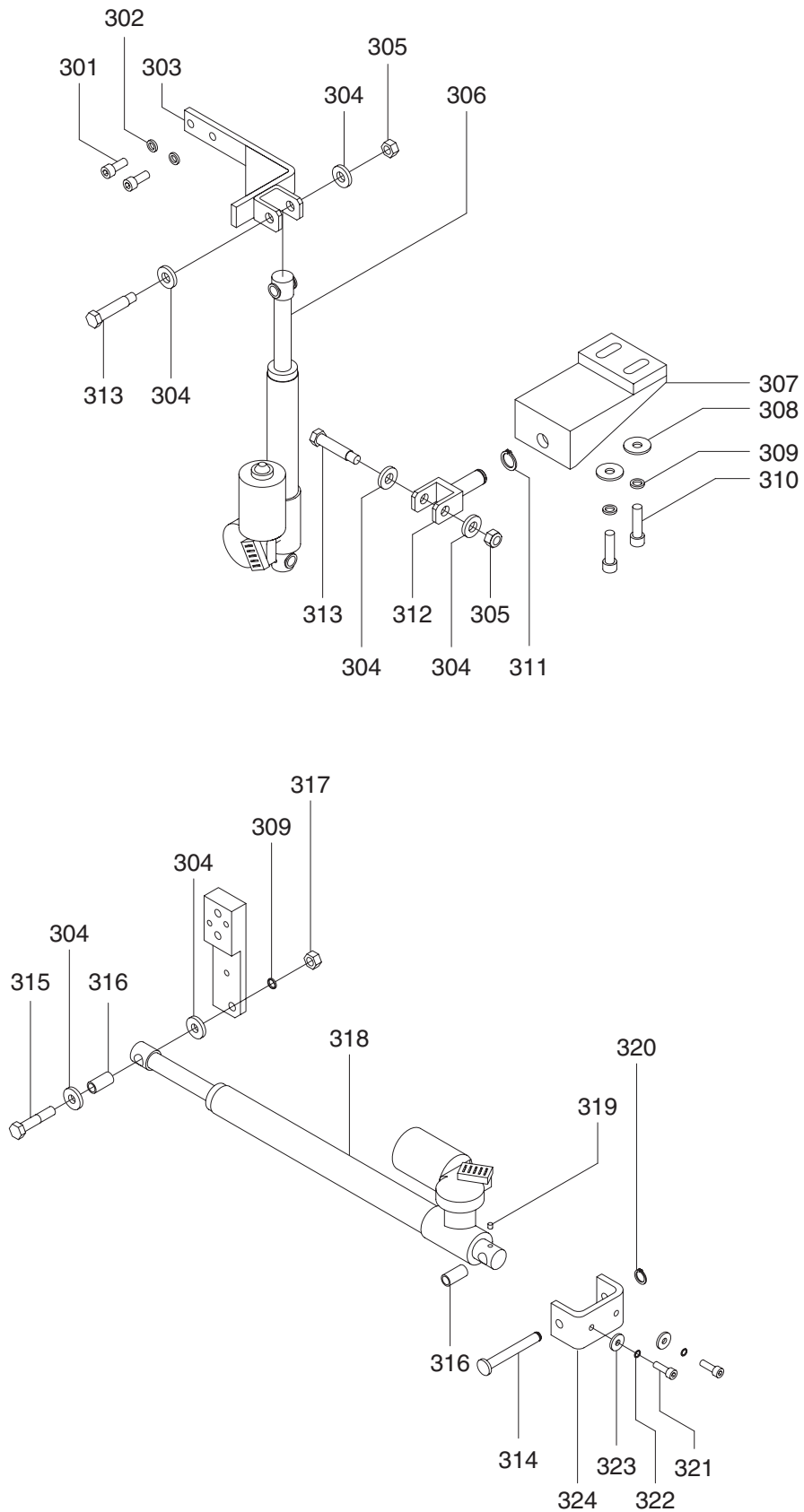


G0501 Chip Channel Assembly

REF	PART #	DESCRIPTION
201	P05010201	MAGNETIC SCREW
202	P05010202	CHIP CHANNEL
203	PB03M	HEX BOLT M8-1.25 X 16
204	PLW04M	LOCK WASHER 8MM
205	PW01M	FLAT WASHER 8MM
206	P05010206	LEVER
207	PSB11M	CAP SCREW M8-1.25 X 16
208	P05010208	CAM
209	P6202	BALL BEARING 6202
210	PR05M	EXT RETAINING RING 15MM
211	PB20M	HEX BOLT M8-1.25 X 35
212	P05010212	MOTOR ROCKER
213	PSB46M	CAP SCREW M4-.7 X 40
214	PW05M	FLAT WASHER 4MM
215	P05010215	SAFETY SWITCH
216	PSB26M	CAP SCREW M6-1.0 X 12
217	PLW02M	LOCK WASHER 4MM
218	P05010218	PLATE
219	PLW02M	LOCK WASHER 4MM
220	P05010220	SET SCREW M8-1.25 X 35
221	PN03M	HEX NUT M8-1.25
222	PSB31M	CAP SCREW M8-1.25 X 25

REF	PART #	DESCRIPTION
223	P05010223	STOP
224	PLW05M	LOCK WASHER 12MM
225	PSB92M	CAP SCREW M12-1.75 X 40
226	P05010226	ARC GEAR
227	P05010227	STRAIGHT PIN M8 X 30
228	P05010228	SEGMENT
229	PB15M	HEX BOLT M8-1.25 X 40
230	P05010230	SWIVEL LEVER
231	P05010231	CLAMPING PIN 10MM
232	PLW06M	LOCK WASHER 10MM
233	PSB70M	CAP SCREW M10-1.5 X 45
234	PSB40M	CAP SCREW M8-1.25 X 35
235	P05010235	COVER PLATE
236	PN04M	HEX NUT M4-.7
237	PSB50M	CAP SCREW M5-.8 X 10
238	P05010238	CHIP FUNNEL
239	PSB01M	CAP SCREW M6-1.0 X 16
240	PN01M	HEX NUT M6-1.0
241	P05010241	MAIN DIRECTION LABEL
242	P05010242	SCORING DIRECTION LABEL
243	P05010243	DANGER GUARD LABEL

G0501 Saw Blade Adjustment Assembly

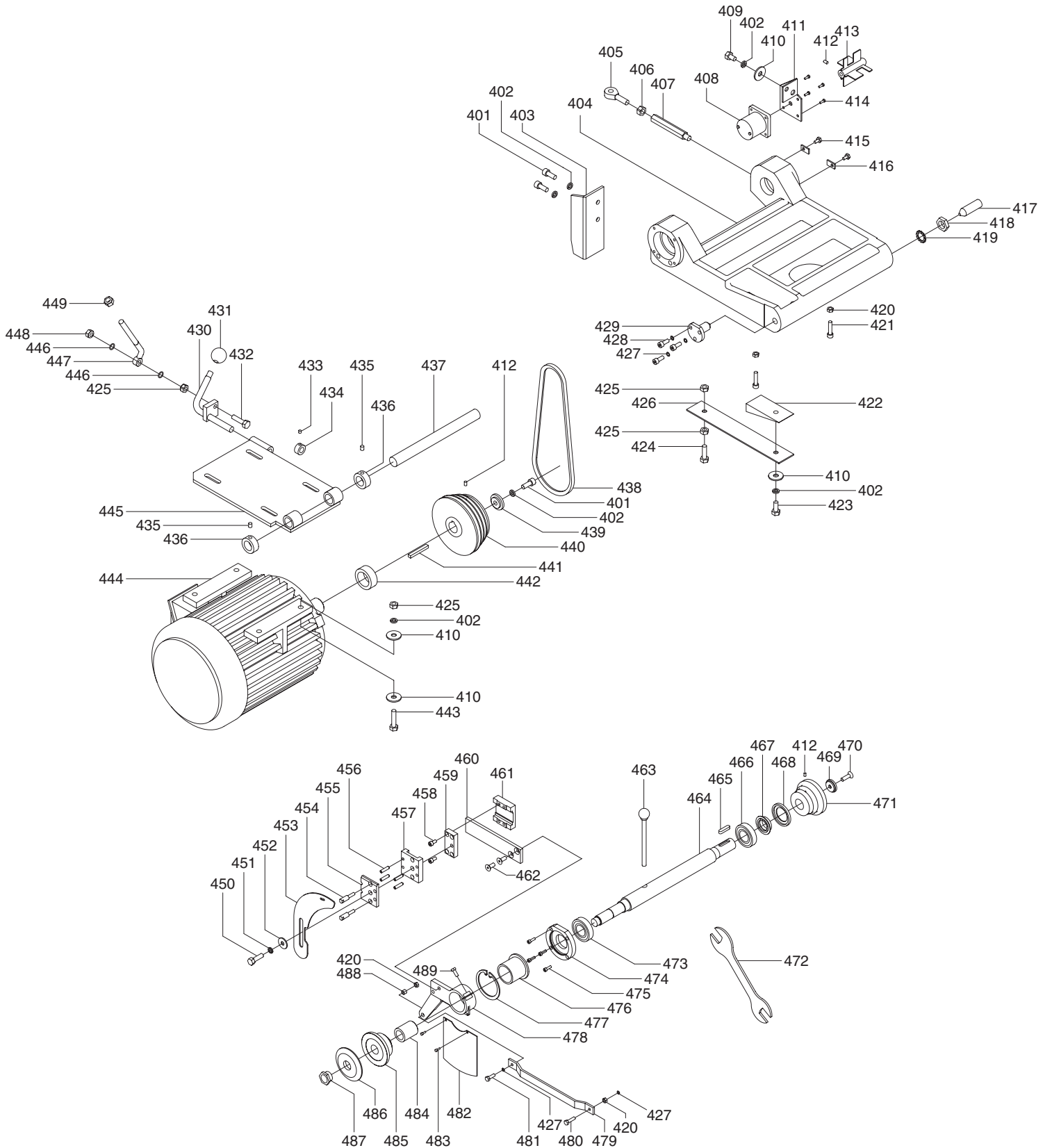


G0501 Saw Blade Adjustment Assembly

REF	PART #	DESCRIPTION
301	PSB64M	CAP SCREW M10-1.5 X 25
302	PLW06M	LOCK WASHER 10MM
303	P05010303	MOUNTING
304	PW10M	FLAT WASHER 14MM
305	PN09M	HEX NUT M12-1.75
306	P05010306	LINEAR ACTUATOR
307	P05010307	MOUNTING
308	PW06M	FLAT WASHER 12MM
309	PLW05M	LOCK WASHER 12MM
310	P05010310	CAP SCREW M12-1.75 X 45
311	PR09M	EXT RETAINING RING 20MM
312	P05010312	Y-PROFILE MOUNTING

REF	PART #	DESCRIPTION
313	P05010313	CLEVIS BOLT M12-1.75
314	P05010314	GROOVED CLEVIS PIN
315	P05010315	SPECIAL HEX SCREW
316	P05010316	BUSHING
317	PN09M	HEX NUT M12-1.75
318	P05010318	LINEAR ACTUATOR
319	PSS02M	SET SCREW M6-1.0 X 6
320	PR03M	EXT RETAINING RING 12MM
321	PSB31M	CAP SCREW M8-1.25 X 25
322	PLW04M	LOCK WASHER 8MM
323	PW01M	FLAT WASHER 8MM
324	P05010324	U-PROFILE

G0501 Main Saw Assemblies



G0501 Main Saw Assemblies

REF	PART #	DESCRIPTION
401	PSB64M	CAP SCREW M10-1.5 X 25
402	PLW06M	LOCK WASHER 10MM
403	P05010403	BRACKET
404	P05010404	SAW ROCKER
405	P05010405	EYE BOLT M12-1.75
406	PN09M	HEX NUT M12-1.75
407	P05010407	TUBE
408	P05010408	STEP SWITCH
409	PB70M	HEX BOLT M10-1.5 X 16
410	PW04M	FLAT WASHER 10MM
411	P05010411	BRACKET
412	PSS01M	SET SCREW M6-1.0 X 10
413	P05010413	ROTATIONAL SPEED LOCK
414	PSB23M	CAP SCREW M4-.7 X 12
415	PB02M	HEX BOLT M6-1.0 X 12
416	P05010416	FLAT SPRING
417	PSS66M	SET SCREW M20-2.5 X 65
418	PN28M	HEX NUT M20-2.5
419	PTLW7M	INT TOOTH WASHER 20MM
420	PN03M	HEX NUT M8-1.25
421	PSB40M	CAP SCREW M8-1.25 X 35
422	P05010422	WOODEN WEDGE
423	PB32M	HEX BOLT M10-1.5 X 25
424	PB14M	HEX BOLT M10-1.5 X 35
425	PN02M	HEX NUT M10-1.5
426	P05010426	FLAT SPRING
427	PLW04M	LOCK WASHER 8MM
428	PSB31M	CAP SCREW M8-1.25 X 25
429	P05010429	SET PILLAR
430	P05010430	ADJUSTING LEVER
431	P05010431	ROUND KNOB (FEMALE)
432	PB31M	HEX BOLT M10-1.5 X 40
434	P05010434	SPACER
435	PSS16M	SET SCREW M8-1.25 X 10
436	P05010436	SPACER
437	P05010437	SHAFT
438	P05010438	POLY-FLEX BELT AVX-10-850
439	P05010439	SPACER
440	P05010440	PULLEY (60HZ, 10HP)
441	PK79M	KEY 10 X 8 X 55
442	P05010442	SPACER (10HP)
443	PB116M	HEX BOLT M10-1.5 X 45
444	P05010444	MOTOR 10 HP
445	P05010445	MOTOR PLATE
446	P8124039	O-RING P12

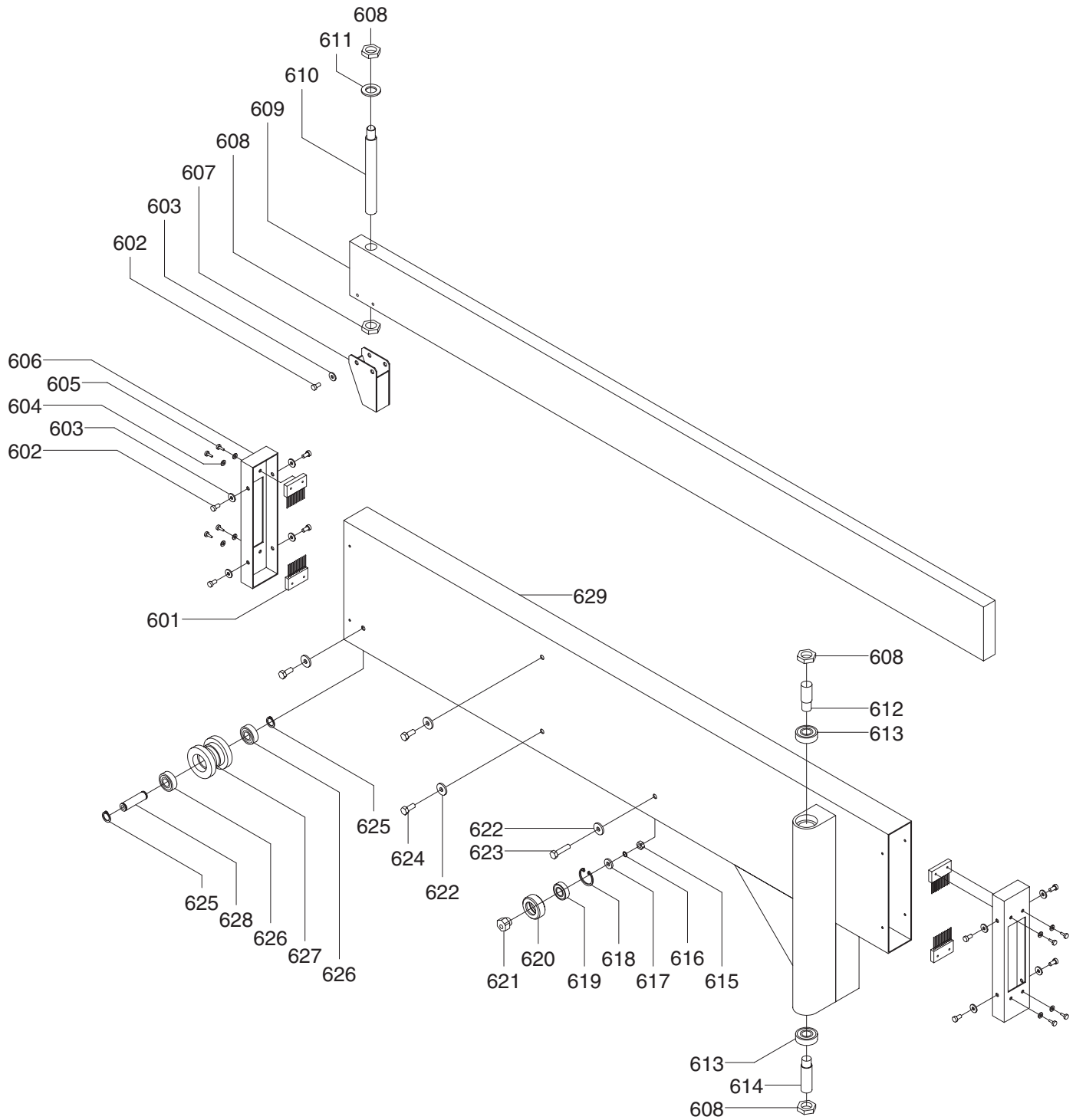
REF	PART #	DESCRIPTION
447	P05010447	EYE BOLT
448	PN02M	HEX NUT M10-1.5
449	PN09M	HEX NUT M12-1.75
450	PB101M	HEX BOLT M12-1.75 X 40
451	PLW05M	LOCK WASHER 12MM
452	PW06M	FLAT WASHER 12MM
453	P05010453	RIVING KNIFE 14"
453A	P05010453A	RIVING KNIFE 12"
454	P05010454	STUD BOLT
455	P05010455	PRESSURE PLATE
456	P05010456	ADJUSTMENT SCREW
457	P05010457	CLAMPING PLATE
458	PSB100M	CAP SCREW M8-1.25 X 15
459	P05010459	RETAINING PLATE
460	P05010460	FLAT STEEL STRIP
461	P05010461	GUIDE PLATE
462	PFH20M	FLAT HD SCR M10-1.5 X 20
463	P05010463	ARBOR LOCKING BOLT
464	P05010464	SAW SHAFT (ARBOR)
465	PK80M	KEY 10 x 8 x 40
465	P6207	BALL BEARING 6207
467	P05010467	SPACER
468	P05010468	INNER BEARING RING
469	P05010469	SPACER
470	PFH22M	FLAT HD SCR M10-1.5 X 30
471	P05010471	PULLEY
472	P05010472	SPANNER
473	P6207	BALL BEARING 6207
474	P05010474	INNER BEARING RING
475	PSB02M	CAP SCREW M6-1.0 X 20
476	P05010476	RIVING KNIFE HOLDER HUB
477	PR52M	EXT RETAINING RING 80MM
478	P05010478	RIVING KNIFE SUPPORT
479	P05010479	PARALLEL BAR
480	PN01M	HEX NUT M6-1.0
481	PN03M	HEX NUT M8-1.25
482	PSB31M	CAP SCREW M8-1.25 X 25
483	P05010483	STOP
484	P05010484	INNER BEARING RING
485	P05010485	INTERMEDIATE DISC
486	P05010486	FRONT FLANGE
487	P05010487	ARBOR NUT M25-2.0
488	P05010488	BUSHING
489	PB09M	HEX BOLT M8-1.25 X 20

G0501 Scoring Saw Assemblies

REF	PART #	DESCRIPTION
501	PN32M	HEX NUT M14-2.0
502	P05010502	FRONT FLANGE
503	P05010503	INNER RING
504	P05010504	REAR FLANGE
505	PSB01M	CAP SCREW M6-1.0 X 16
506	P05010506	BEARING COVER
507	P05010507	SHAFT
508	PK81M	KEY 6 X 6 X 12
509	P6204	BALL BEARING 6204
510	P05010510	INNER RING
511	P05010511	SCORING SAW ROCKER
512	P05010512	INNER RING
513	P05010513	PULLEY
514	P05010514	SPACER
515	PB06M	HEX BOLT M8-1.25 X 12
516	P05010516	O-RING P14
517	P05010517	TORQUE SUPPORT
518	P05010518	DC MOTOR PLATE
519	P05010519	DC MOTOR
520	PLW09M	LOCK WASHER 3MM
521	PSB56M	CAP SCREW M3-.5 X 10
522	PSS02M	SET SCREW M6-1.0 X 6
523	P05010523	ADJUSTMENT SPINDLE
524	PB07M	HEX BOLT M8-1.25 X 25
525	PLW04M	LOCK WASHER 8MM
526	P05010526	BLOCK
527	P05010527	PROTECTION CAP
528	PN13M	HEX NUT M16-2.0
529	PSS67M	SET SCREW M16-2 x 60
530	P05010530	CODE
531	PN03M	HEX NUT M8-1.25

REF	PART #	DESCRIPTION
532	PSS19M	SET SCREW M8-1.25 X 30
533	PN09M	HEX NUT M12-1.75
534	PLW05M	LOCK WASHER 12MM
535	PSS70M	SET SCREW M12-1.75 X 80
536	PSB06M	CAP SCREW M6-1.0 X 25
537	PLW03M	LOCK WASHER 6MM
538	PW03M	FLAT WASHER 6MM
539	P05010539	BELT GG04-16RF-850
540	P05010540	PULLEY
541	P05010541	MOTOR 1HP
542	P05010542	SPACER
543	P05010543	AXLE
544	PB49M	HEX BOLT M12-1.75 X 20
545	PW06M	FLAT WASHER 12MM
546	P05010546	MOTOR PLATE
547	P05010547	GAS PRESSURE REGULATOR
548	PN03M	HEX NUT M8-1.25
549	PSS01M	SET SCREW M6-1.0 X 10
550	PR06M	EXT RETAINING RING 16MM
551	P05010551	LEVER
552	P05010552	EYE BOLT
553	PR01M	EXT RETAINING RING 10MM
554	P05010554	SPECIAL BOLT
555	P05010555	HOLDER
556	PW06M	FLAT WASHER 12MM
557	P8124039	O-RING P12
558	P05010558	SPACER
559	P05010559	ADJUSTMENT SPINDLE
560	PSS68M	SET SCREW M12-1.75 X 40
561	P05010561	DC MOTOR PLATE
562	P05010562	CONNECTOR

G0501 Swinging Arm Assembly

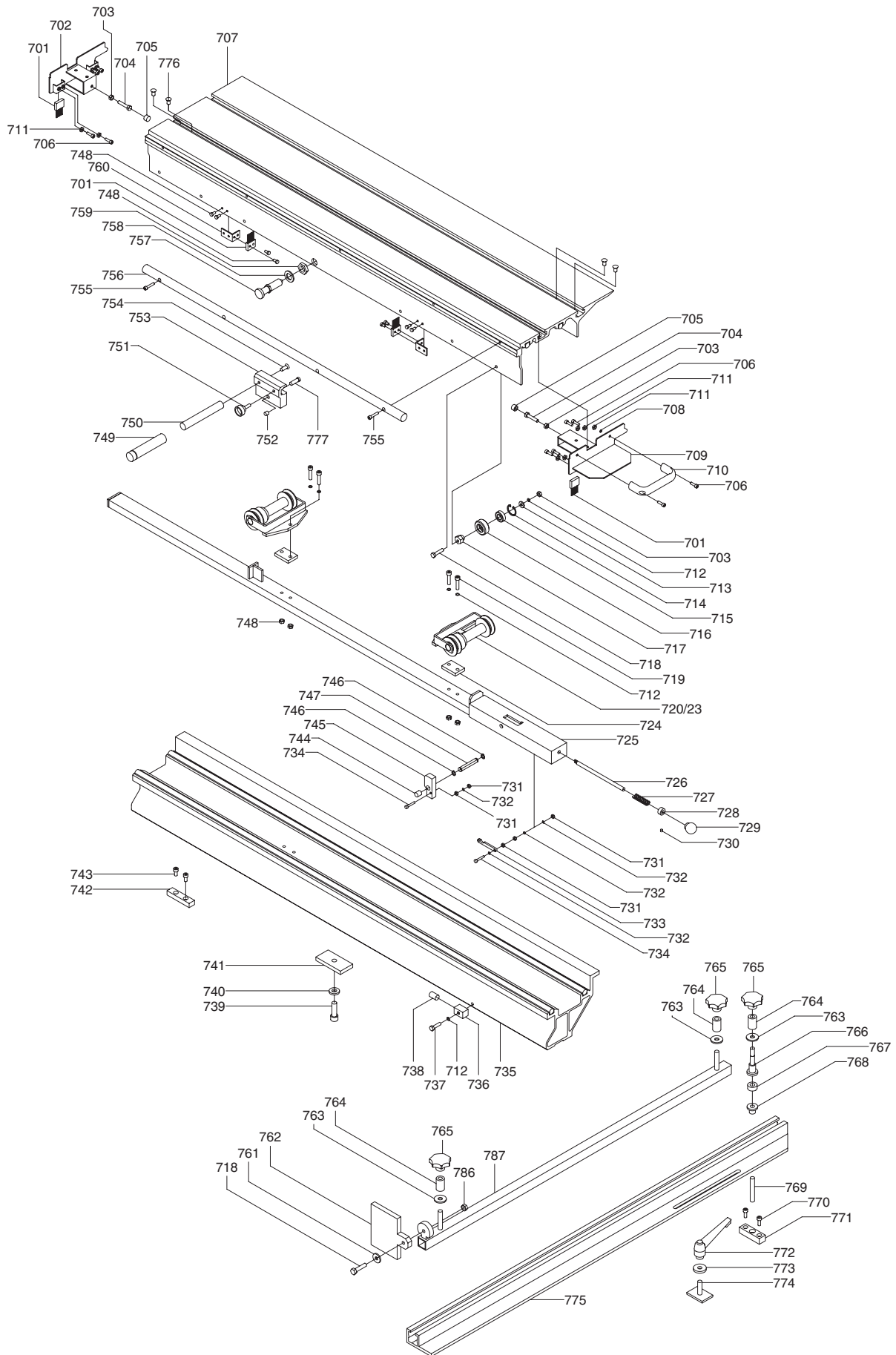


G0501 Swinging Arm Assembly

REF	PART #	DESCRIPTION
601	P05010601	CLEANING BRUSH
602	PSB04M	CAP SCREW M6-1.0 X 10
603	PW03M	FLAT WASHER 6MM
604	PW02M	FLAT WASHER 5MM
605	PHTEK23	TAP SCREW #10 X 1/2"
606	P05010606	BRUSH COVER
607	P05010607	STOP
608	PN28M	HEX NUT M20-2.5
609	P05010609	TELESCOPING TUBE
610	P05010610	SUPPORT BOLT
611	PW13M	FLAT WASHER 20MM
612	P05010612	TOP ARM BOLT
613	P6203	BALL BEARING 6203
614	P05010614	BOTTOM ARM BOLT
615	PN03M	HEX NUT M8-1.25

REF	PART #	DESCRIPTION
616	PLW04M	LOCK WASHER 8MM
617	PW01M	FLAT WASHER 8MM
618	PR37M	EXT RETAINING RING 32MM
619	P6002	BALL BEARING 6002
620	P05010620	PLASTIC ROLLER
621	P05010621	CAM
622	PW01M	FLAT WASHER 8MM
623	PB20M	HEX BOLT M8-1.25 X 35
624	PB09M	HEX BOLT M8-1.25 X 20
625	PR05M	EXT RETAINING RING 15MM
626	P6202	BALL BEARING 6202
627	P05010627	GUIDE ROLLER
628	P05010628	AXIS
629	P05010629	SWINGING ARM

G0501 Sliding Table and Miter Fence Assemblies

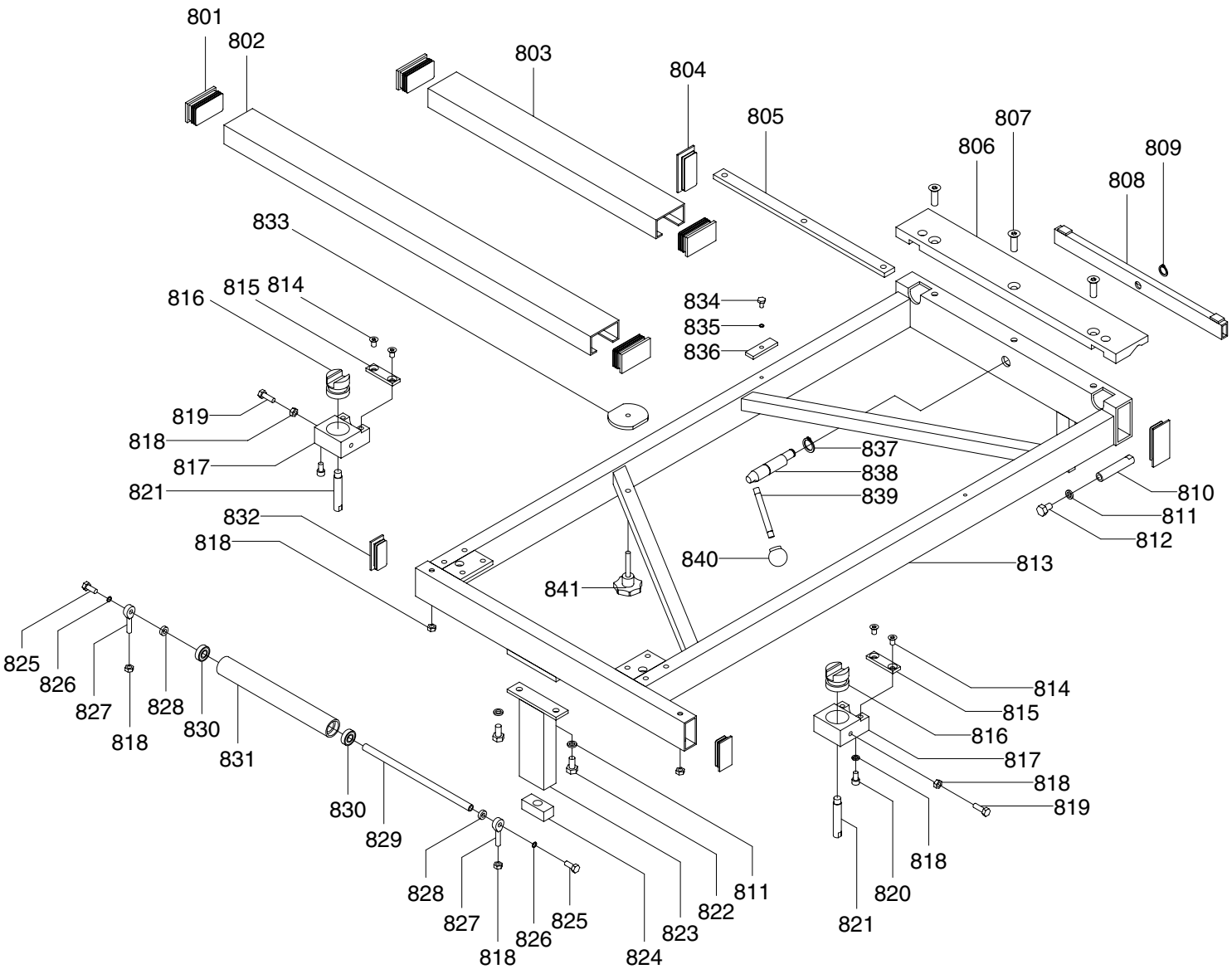


G0501 Sliding Table and Miter Fence Assemblies

REF	PART #	DESCRIPTION
701	P05010701	CLEANING BRUSH
702	P05010702	END STOP
703	PN03M	HEX NUT M8-1.25
704	PB22M	HEX BOLT M8-1.25 X 50
705	P05010705	PROTECTION CAP
706	PSB02M	CAP SCREW M6-1.0 X 20
707	P05010707	SLIDING TABLE
708	PLW03M	LOCK WASHER 6MM
709	P05010709	END STOP
710	P05010710	HANDLE
711	PN01M	HEX NUT M6-1.0
712	PLW04M	LOCK WASHER 8MM
713	PW01M	FLAT WASHER 8MM
714	PR37M	EXT RETAINING RING 32MM
715	P6002	BALL BEARING 6002
716	P05010716	PLASTIC ROLLER
717	P05010717	CAM
718	PB20M	HEX BOLT M8-1.25 X 35
719	PSB40M	CAP SCREW M8-1.25 X 35
720	P05010720	ROLLER BRACKET
721	P05010721	STEEL ROLLER
722	P05010722	STEEL ROLLER
723	PFH14M	FLAT HD SCR M10-1.5 X 25
724	P05010724	PLATE
725	P05010725	MIDDLE CARRIAGE
726	P05010726	LOCKING BAR
727	P05010727	PRESSURE SPRING
728	P05010728	SPACER
729	P05010729	HEAD BUTTON
730	PSS02M	SET SCREW M6-1.0 X 6
731	PN06M	HEX NUT M5-.8
732	PLW01M	LOCK WASHER 5MM
733	P05010733	CONNECTING PIECE
734	PSB79M	CAP SCREW M5-.8 X 35
735	P05010735	SLIDING TABLE SUPPORT
736	P05010736	STOP
737	PB26M	HEX BOLT M8-1.25 X 30
738	P05010738	PROTECT STOP
739	PSB105M	CAP SCREW M14-2.0 X 40
740	PW10M	FLAT WASHER 14MM

REF	PART #	DESCRIPTION
741	P05010741	FIXED PIECE
742	P05010742	STOP
743	PSB11M	CAP SCREW M8-1.25 X 16
744	P05010744	BUSHING
745	P05010745	STOP
746	PR03M	EXT RETAINING RING 12MM
747	P05010747	AXIS
748	PLN04M	LOCK NUT M8-1.25
749	P05010749	RUBBER HANDLE
750	P05010751	SHAFT
751	P05010751	KNOB BOLT M8-1.25 X 30
752	PSS30M	SET SCREW M10-1.5 X 10
753	P05010753	ADJUSTMENT BRACKET
754	PFH21M	FLAT HD SCR M8-1.25 X 25
755	PSB07M	CAP SCREW M6-1.0 X 30
756	P05010756	ROUND BAR
757	P05010757	INDEXING PLUNGER
758	PW13M	FLAT WASHER 20MM
759	PN28M	HEX NUT M20-2.5
760	P05010760	BRUSH BRACKET
761	PW01M	FLAT WASHER 8MM
762	P05010762	MITER FENCE STOP
763	PW04M	FLAT WASHER 10MM
764	P05010764	SPACER
765	P05010765	STAR HANDLE NUT
766	P05010766	SHAFT
767	P05010767	SPACER
768	P05010768	BUSHING
769	PSS71M	SET SCREW M10-1.5 X 60
770	PSB01M	CAP SCREW M6-1.0 X 16
771	P05010771	PIVOT BLOCK
772	P05010772	CLAMPING LEVER
773	PW04M	FLAT WASHER 10MM
774	P05010774	T-BLOCK
775	P05010775	MITER FENCE
776	PFH23M	FLAT HD SCR M8-1.25 X 16
777	PS41M	PHLP HD SCR M10-1.5 X 25
786	PLN04M	LOCK NUT M8-1.25
787	P0501787	MITER FENCE BAR

G0501 Crosscut Table

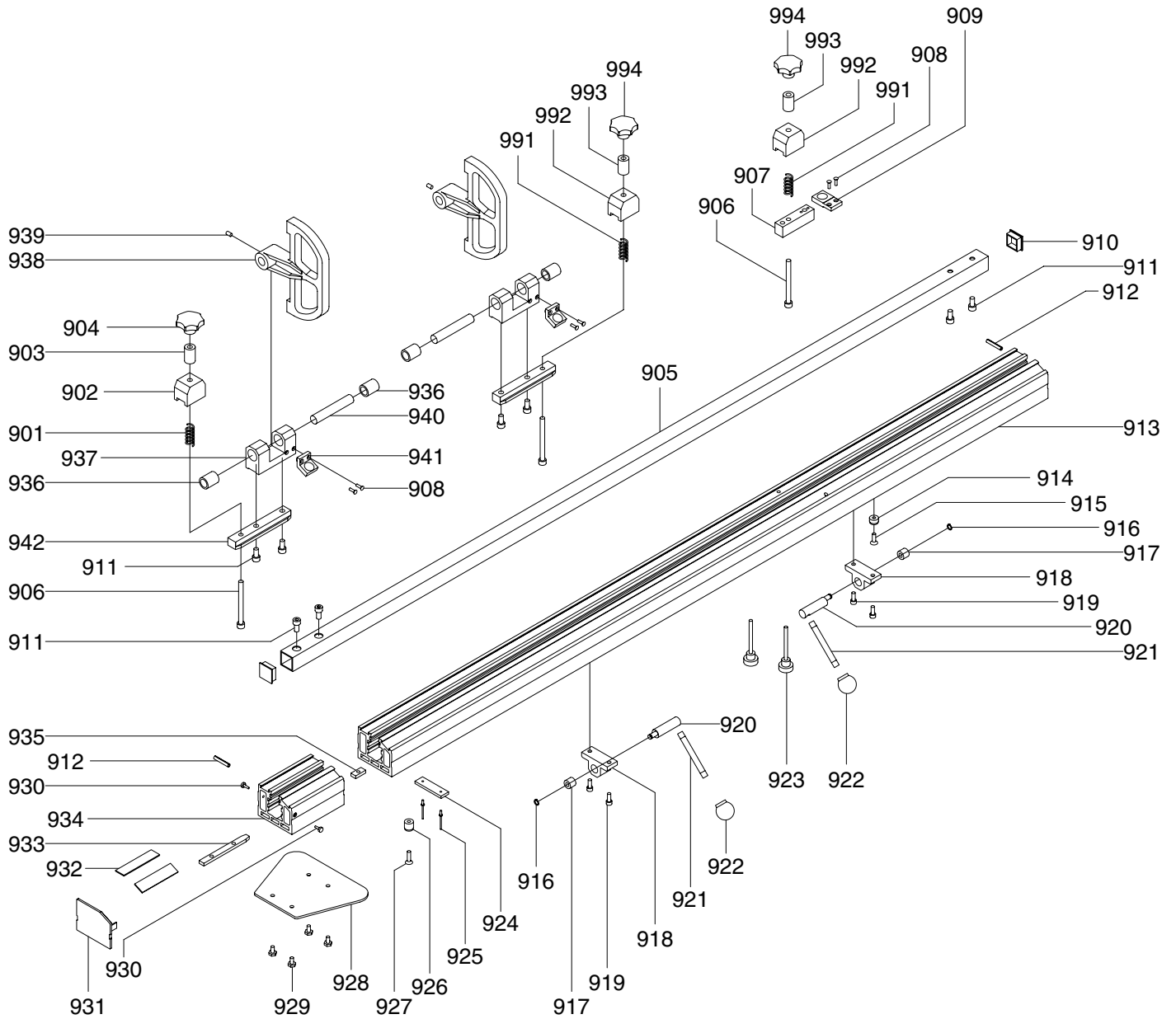


G0501 Crosscut Table

REF	PART #	DESCRIPTION
801	P05010801	SQUARE PLUG
802	P05010802	LONG CROSS-SUPPORT
803	P05010803	SHORT CROSS-SUPPORT
804	P05010804	SQUARE PLUG
805	P05010805	FIXED PIECE
806	P05010806	GUIDE FENCE
807	PFH24M	FLAT HD SCR M10-1.5 X 35
808	P05010808	SQUARE LOCK
809	PR02M	EXT RETAINING RING 14MM
810	P05010810	STOP TUBE
811	PW04M	FLAT WASHER 10MM
812	PB70M	HEX BOLT M10-1.5 X 16
813	P05010813	CROSS SLIDE
814	PFH23M	FLAT HD SCR M8-1.25 X 16
815	P05010815	CLAMPING ELEMENT
816	P05010816	90° GUIDE
817	P05010817	90° GUIDE MOUNT
818	PN03M	HEX NUT M8-1.25
819	PB07M	HEX BOLT M8-1.25 X 25
820	PSB11M	CAP SCREW M8-1.25 X 16
821	P05010821	90° ADJUSTMENT BOLT

REF	PART #	DESCRIPTION
822	PB74M	HEX BOLT M10-1.5 X 20
823	P05010823	CROSS SLIDE SUPPORT
824	P05010824	RUBBER GUIDE
825	PB07M	HEX BOLT M8-1.25 X 25
826	PLW04M	LOCK WASHER 8MM
827	P05010827	EYE BOLT
828	P05010828	SPACER
829	P05010829	AXIS FOR ROLLER
830	P6001	BALL BEARING 6001
831	P05010831	ROLLER ELEMENT
832	P05010832	SQUARE PLUG
833	P05010833	CLAMPING ELEMENT
834	PB02M	HEX BOLT M6-1.0 X 12
835	PLW03M	LOCK WASHER 6MM
836	P05010836	BLOCK
837	PR09M	EXT RETAINING RING 20MM
838	P05010838	ECCENTRIC SHAFT
839	P05010839	LEVER STUD
840	P05010840	ROUND KNOB (FEM) 3/8-16
841	P05010841	KNOB BOLT M8-1.25 X 50

G0501 Crosscut Fence

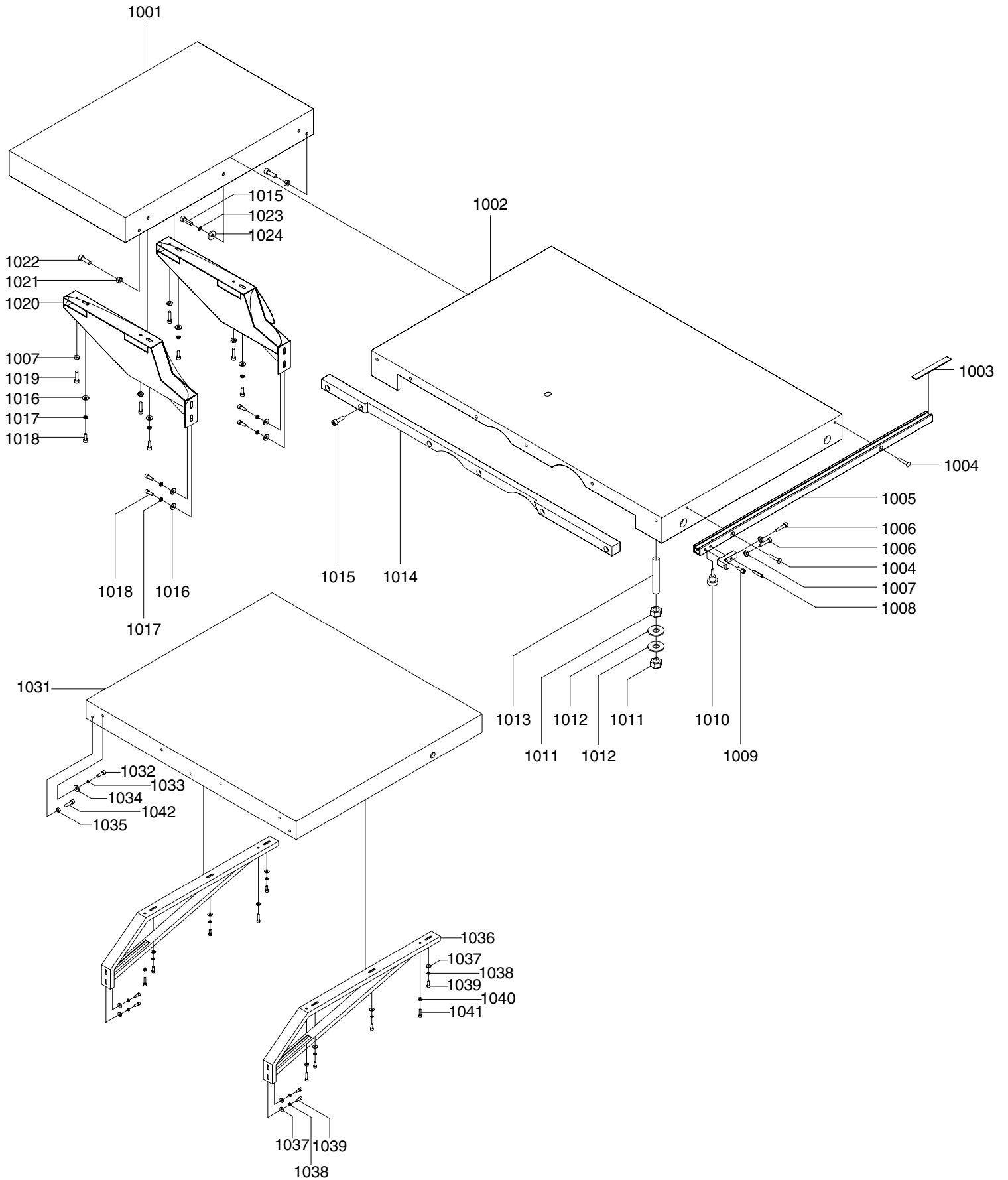


G0501 Crosscut Fence

REF	PART #	DESCRIPTION
901	P05010901	HELICAL PRESSURE SPRING
902	P05010902	CLAMPING PIECE
903	P05010903	SPACER
904	P05010904	STAR KNOB (FEMALE) M8-1.25
905	P05010905	STOP RAIL TUBE
906	PSB106M	CAP SCREW M8-1.25 X 90
907	P05010907	SUPPORT
908	PFH25M	FLAT HD SCR M4-.7 X 12
909	P05010909	MAGNIFIER
910	P05010910	SQUARE PLUG
911	PSB11M	CAP SCREW M8-1.25 X 16
912	PRP62M	ROLL PIN 6 x 35
913	P05010913	CROSS FENCE
914	P05010914	FIXED PIN
915	PFH06M	FLAT HD SCR M6-1.0 X 20
916	PR39M	EXT RETAINING RING 8MM
917	P05010917	ROLLER
918	P05010918	CLAMPING HOLDER
919	PSB01M	CAP SCREW M6-1.0 X 16
920	P05010920	CAM
921	P05010921	LEVER STUD

REF	PART #	DESCRIPTION
922	P05010922	ROUND KNOB (FEM) 3/8-16
923	P05010923	KNOB BOLT M6-1 X 75
924	P05010924	SUPPORT
925	P05010925	PULL NAIL
926	P05010926	FIXED PIN
927	PFH12M	FLAT HD SCR M6-1.0 X 25
928	P05010928	PLATE
929	PB02M	HEX BOLT M6-1.0 X 12
930	PHTEK24	TAP SCREW 1/8" X 3/8"
931	P05010931	COVER
932	P05010932	SCALE
933	P05010933	GUIDE PIN
934	P05010934	EXTENSION FENCE
935	P05010935	BLOCK
936	P05010936	BUSHING
937	P05010937	FLIP STOP BRACKET
938	P05010938	FLIP STOP
939	PSS01M	SET SCREW M6-1.0 X 10
940	P05010940	AXIS
941	P05010941	MAGNIFIER
942	P05010942	T-NUT BLOCK

G0501 Machine Table Assemblies

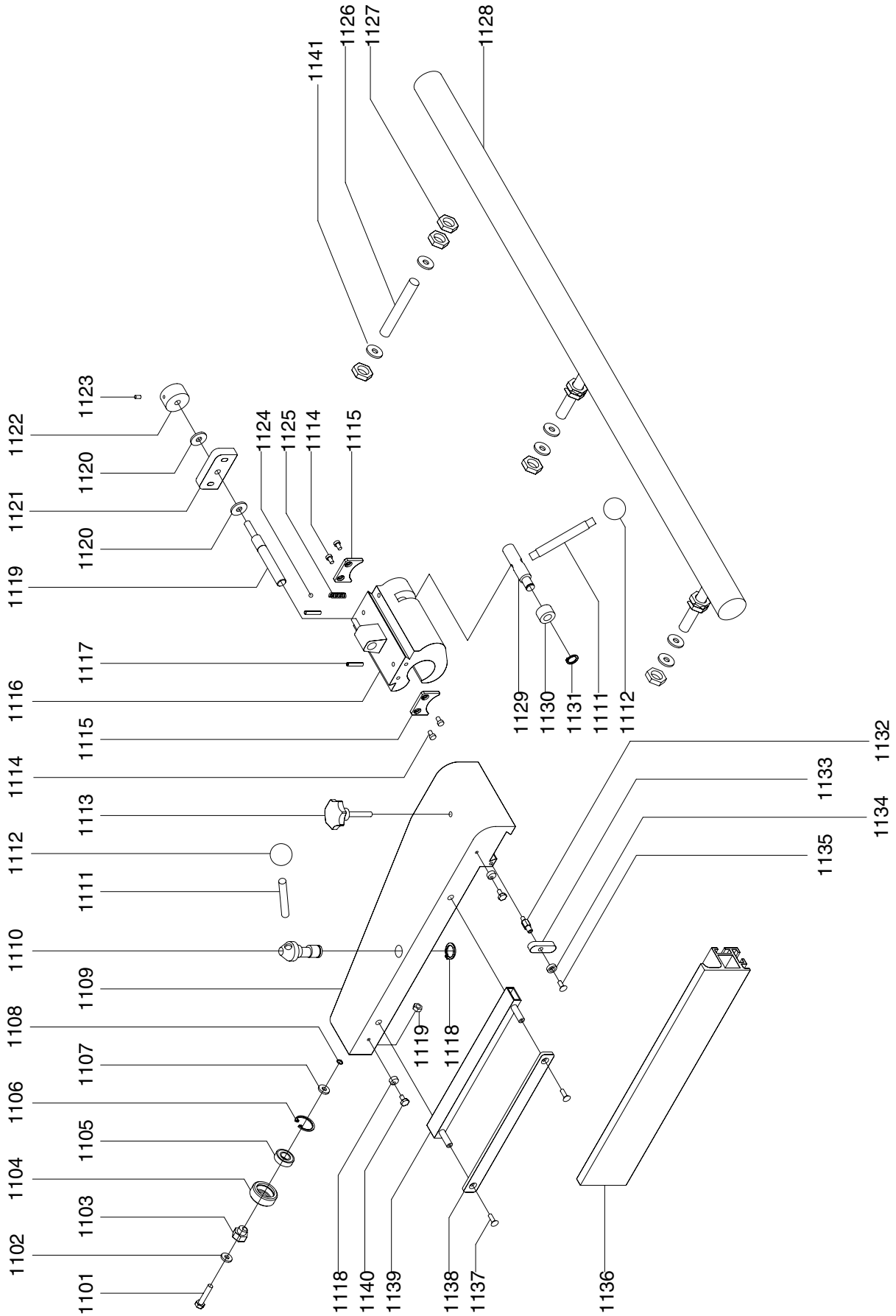


G0501 Machine Table Assemblies

REF	PART #	DESCRIPTION
1001	P05011001	EXTENSION TABLE
1002	P05011002	MAIN TABLE
1003	P05011003	SCALE
1004	PFH26M	FLAT HD SCR M6-1.0 X 30
1005	P05011005	SCALE BRACKET
1006	PSB48M	CAP SCREW M6-1.0 X 35
1007	PN01M	HEX NUT M6-1.0
1008	P05011008	ROLL PIN 6 x 34
1009	PSB01M	CAP SCREW M6-1.0 X 16
1010	P05011010	KNOB BOLT M6-1 X 20
1011	PN01M	HEX NUT M6-1.0
1012	PW08M	FLAT WASHER 16MM
1013	PSS72M	SET SCREW M16-2.0 X 120
1014	P05011014	TABLE STRIP
1015	PSB31M	CAP SCREW M8-1.25 X 25
1016	PW03M	FLAT WASHER 6MM
1017	PLW03M	LOCK WASHER 6MM
1018	PSB01M	CAP SCREW M6-1.0 X 16

REF	PART #	DESCRIPTION
1019	PSB06M	CAP SCREW M6-1.0 X 25
1020	P05011020	TABLE BRACE
1021	PN03M	HEX NUT M8-1.25
1022	PSB31M	CAP SCREW M8-1.25 X 25
1023	PLW04M	LOCK WASHER 8MM
1024	PW01M	FLAT WASHER 8MM
1031	P05011031	WIDTH EXTENSION TABLE
1032	PSB06M	CAP SCREW M6-1.0 X 25
1033	PLW04M	LOCK WASHER 8MM
1034	PW01M	FLAT WASHER 8MM
1035	PN03M	HEX NUT M8-1.25
1036	P05011036	TABLE BRACE
1037	PW03M	FLAT WASHER 6MM
1038	PLW03M	LOCK WASHER 6MM
1039	PSB01M	CAP SCREW M6-1.0 X 16
1040	PN01M	HEX NUT M6-1.0
1041	PSB06M	CAP SCREW M6-1.0 X 25
1042	PSB13M	CAP SCREW M8-1.25 X 30

G0501 Rip Fence Assembly

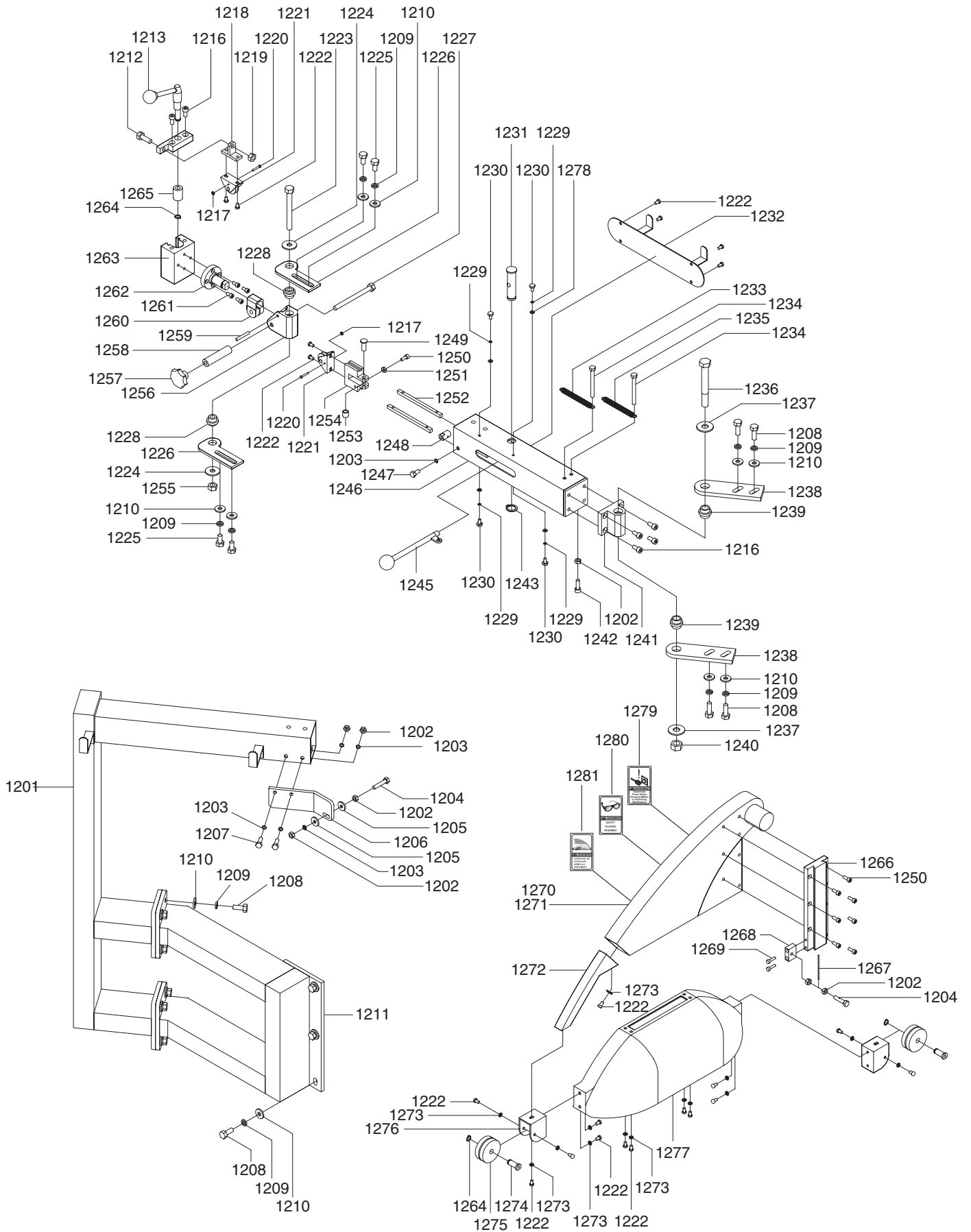


G0501 Rip Fence Assembly

REF	PART #	DESCRIPTION
1101	PB15M	HEX BOLT M8-1.25 X 40
1102	PW01M	FLAT WASHER 8MM
1103	P05011103	CAM
1104	P05011104	PLASTIC ROLLER
1105	P6002	BALL BEARING 6002
1106	PR37M	EXT RETAINING RING 32MM
1107	PW01M	FLAT WASHER 8MM
1108	PLW04M	LOCK WASHER 8MM
1109	P05011109	TOP SECTION
1110	P05011110	CAM
1111	P05011111	LEVER STUD
1112	P05011112	ROUND KNOB (FEM) 1/2-13
1113	P05011113	KNOB BOLT M10-1.5 X 40
1114	PSB04M	CAP SCREW M6-1.0 X 10
1115	P05011115	SCRAPER
1116	P05011116	LOWER RIP FENCE BLOCK
1117	PRP08M	ROLL PIN 6 x 30
1118	P05011118	CAM
1119	P05011119	SPECIAL SCR M16-1.5 X 80
1120	PW04M	FLAT WASHER 10MM
1121	P05011121	SUPPORT

REF	PART #	DESCRIPTION
1122	P05011122	GRIP
1123	PSS05M	SET SCREW M5-.8 X 10
1124	P05011124	STEEL BALL
1125	P05011125	HELICAL PRESSURE SPRING
1126	PSS69M	SET SCREW M20-2.5 X 120
1127	PN28M	HEX NUT M20-2.5
1128	P05011128	ROUND BAR
1129	P05011129	CAM
1130	P05011130	ROLLER
1131	PR02M	EXT RETAINING RING 14MM
1132	PB04M	HEX BOLT M6-1 X 10
1133	P05011133	STOP
1134	P05011134	SPACER
1135	PFH05M	FLAT HD SCR M5-.8 X 12
1136	P05011136	RIP FENCE
1137	PFH06M	FLAT HD SCR M6-1.0 X 20
1138	P05011138	CLAMPING STRIP
1139	P05011139	CLAMP
1140	PB107M	HEX BOLT M5-.8 X 12
1141	PW13M	FLAT WASHER 20MM

G0501 Blade Guard Assembly



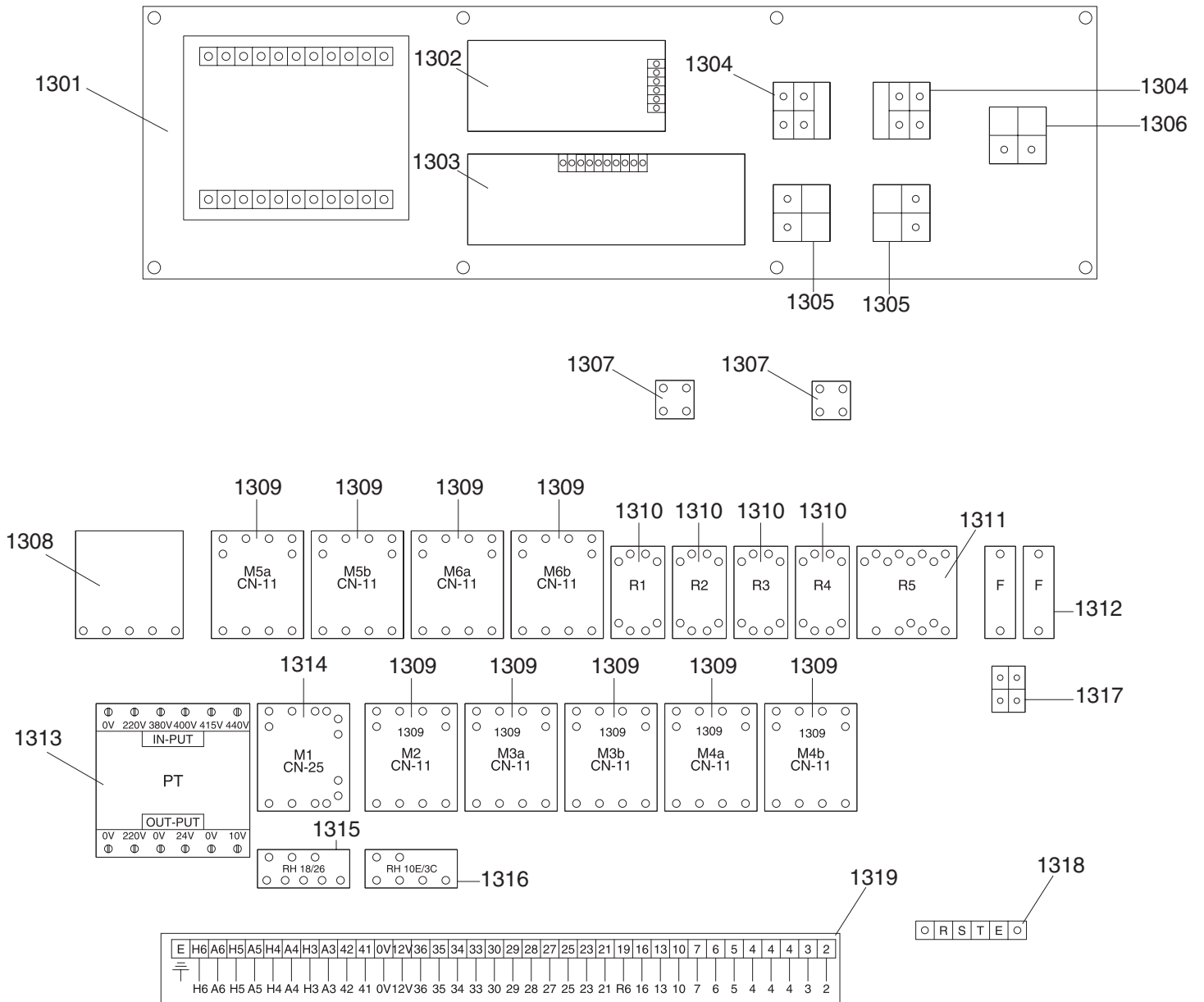
G0501 Blade Guard Assembly

REF PART #	DESCRIPTION
1201	P05011201 SUPPORT ARM
1202	PN03M HEX NUT M8-1.25
1203	PLW04M LOCK WASHER 8MM
1204	PSB40M CAP SCREW M8-1.25 X 35
1205	PW01M FLAT WASHER 8MM
1206	P05011206 STOP
1207	PB20M HEX BOLT M8-1.25 X 35
1208	PB32M HEX BOLT M10-1.5 X 25
1209	PLW06M LOCK WASHER 10MM
1210	PW04M FLAT WASHER 10MM
1211	P05011211 SUPPORT ARM FRAME
1212	PB01M HEX BOLT M10-1.5 X 30
1213	P05011213 CAM LOCKING HANDLE
1216	PSB11M CAP SCREW M8-1.25 X 16
1217	PN04M HEX NUT M4-.7
1218	P05011218 ROLLER BRACKET
1219	PLN05M LOCK NUT M10-1.5
1220	PSB21M CAP SCREW M4-.7 X 30
1221	P05011221 ROLLER
1222	PSB04M CAP SCREW M6-1 X 10
1223	PB76M HEX BOLT M12-1.75 X 110
1224	PW06M FLAT WASHER 12MM
1225	PB74M HEX BOLT M10-1.5 X 20
1226	P05011226 FIXED PLATE
1227	PB111M HEX BOLT M10-1.5 X 120
1228	P05011228 BUSH
1229	PLW01M LOCK WASHER 5MM
1230	PB112M HEX BOLT M5-.8 X 12
1231	P05011231 LEVER STUD
1232	P05011232 COVER
1233	P05011233 PULL SPRING 12 X 1.4MM
1234	PB82M HEX BOLT M8-1.25 X 80
1235	P05011235 PULL SPRING 11 X 1.5MM
1236	PB113M HEX BOLT M16-2.0 X 120
1237	PW08M FLAT WASHER 16MM
1238	P05011238 FIXED PLATE
1239	P05011239 BUSHING
1240	PN13M HEX NUT M16-2.0
1241	P05011241 CONNECTOR
1242	PSB31M CAP SCREW M8-1.25 X 25

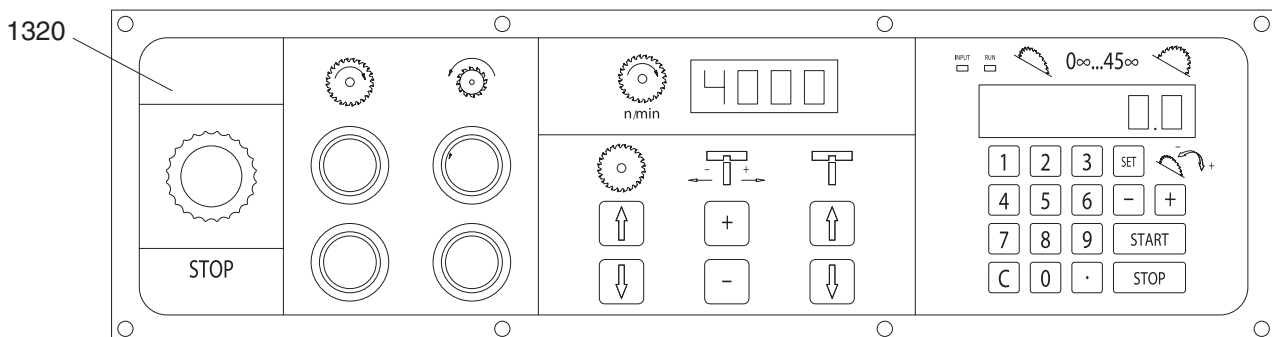
REF PART #	DESCRIPTION
1243	PR09M EXT RETAINING RING 20MM
1244	P05011244 LEVER STUD
1245	P05011245 SPECIAL KNOB BOLT
1246	P05011246 CONNECTING ARM
1247	PB03M HEX BOLT M8-1.25 X 16
1248	P05011248 WIRE FIXED BLOCK
1249	P05011249 ROD
1250	PSB01M CAP SCREW M6-1 X 16
1251	PN01M HEX NUT M6-1
1252	P05011252 GUIDE
1253	P05011253 ROLLER
1254	P05011254 CONNECTOR
1255	PN09M HEX NUT M12-1.75
1256	P05011256 CONNECTOR
1257	P05011257 KNOB (FEMALE) M10-1.5
1258	P05011258 BUSH
1259	P05011259 SPRING PIN 6 X 35MM
1260	P05011260 CONNECTOR
1261	PSB26M CAP SCREW M6-1 X 12
1262	P05011262 AXIS
1263	P05011263 BLOCK
1264	PR03M EXT RETAINING RING 12MM
1265	P05011265 RING
1266	P05011266 GUIDE BLOCK
1267	P05011267 WIRE
1268	P05011268 BLOCK
1269	PSB15M CAP SCREW M5-.8 X 20
1270	P05011270 DUST HOOD
1271	P05011271 COVER
1272	P05011272 HANDLE
1273	PLW03M LOCK WASHER 6MM
1274	P05011274 AXIS
1275	P05011275 ROLLER
1276	P05011276 ROLLER BRACKET
1277	P05011277 SAW GUARD
1278	PW02M FLAT WASHER 5MM
1279	PLABEL-33 UNPLUG TABLE SAW LABEL
1280	PLABEL-11 SAFETY GLASSES LABEL
1281	P05011281 BLADE/KNIFE GUARD LABEL

G0501 Electrical Panel Components

G0501 PANEL(BACK SIDE) DIAGRAM



G0501 PANEL(FRONT SIDE)



G0501 Electrical Panel Components

REF PART #	DESCRIPTION
1301	P05011301 DIGITAL CONTROL DISPLAY DP-525
1302	P05011302 ARBOR R.P.M DISPLAY
1303	P05011303 BUTTON I.C PLATE
1304	P05011304 ON BUTTON JC01,250VAC6A(4P)
1305	P05011305 OFF BUTTON JC01,250VAC6A(2P)
1306	P05011306 E-STOP BUTTON 250VAC6A(2P)
1307	P05011307 COMMUTATOR KBPC2506
1308	P05011308 POWER SUPPLY OUTPUT 0V,12V
1309	P05011309 MAG CONTACTOR CN-11
1310	P05011310 RELAY FMY2-TN,AC220/240
1311	P05011311 RELAY LY 4NT,200/220VAC

REF PART #	DESCRIPTION
1312	P05011312 FUSE 3A
1313	P05011313 TRANSFORMER SP-TBS,1PH, 220V
1314	P05011314 MAG CONTACTOR CN-25
1315	P05011315 OVR-RELAY RH 18/26
1316	P05011316 OVR-RELAY RH 10E/3C
1317	P05011317 POWER SELECTOR SWITCH 220V
1318	P05011318 TERMINAL STRIP 1 X 4
1319	P05011319 TERMINAL STRIP 1 X 35
1320	P05011320 CONTROL PANEL FACE
1321	P05011321 440V CONVERSION KIT (2 RELAYS)

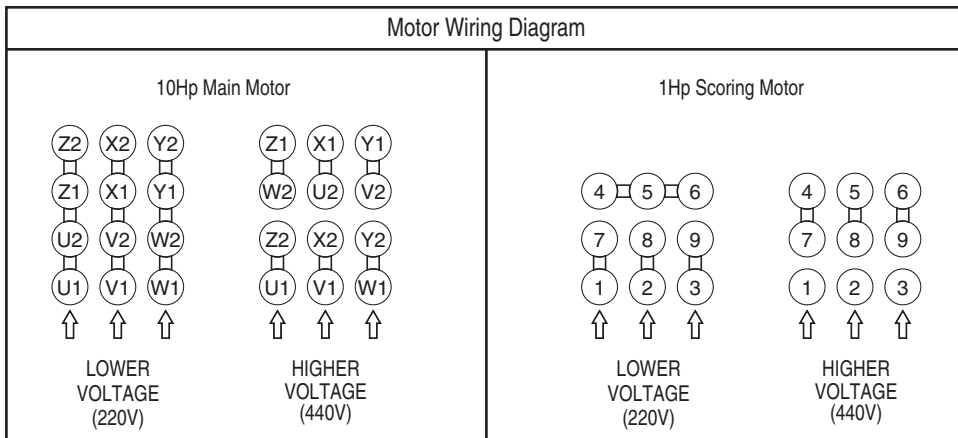
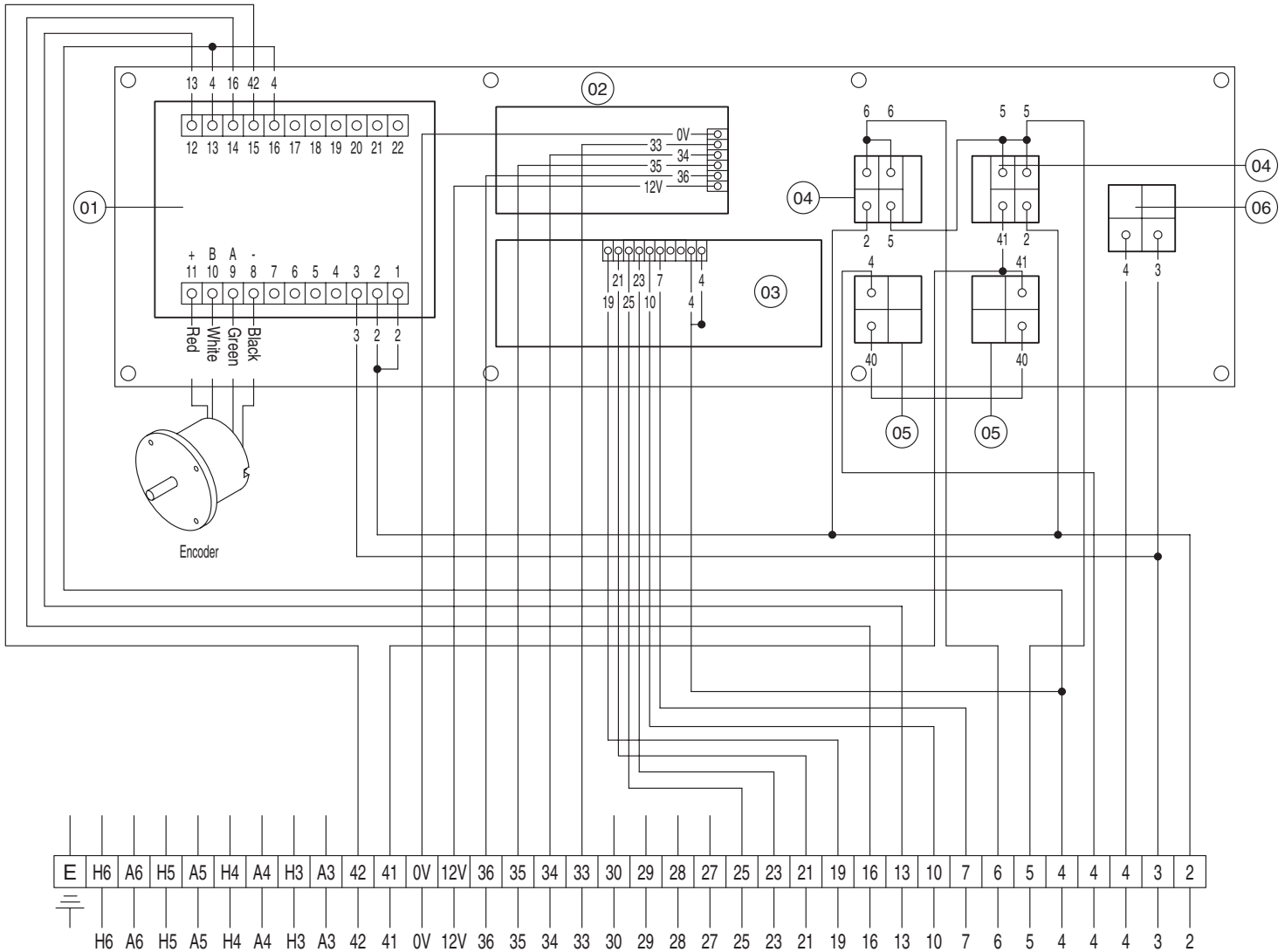
Motor Troubleshooting

Symptom	Possible Cause	Possible Solution
Motor will not start.	<ol style="list-style-type: none"> 1. Low voltage. 2. Open circuit in motor or loose connections. 	<ol style="list-style-type: none"> 1. Check power line for proper voltage. 2. Inspect all lead connections on motor for loose or open connections.
Motor will not start; fuses or circuit breakers blow.	<ol style="list-style-type: none"> 1. Short circuit in line cord or plug. 2. Short circuit in motor or loose connections. 3. Circuit or motor overloaded. 	<ol style="list-style-type: none"> 1. Repair or replace cord or plug for damaged insulation and shorted wires. 2. Repair or replace all connections on motor for loose or shorted terminals or worn insulation. 3. Reduce amperage load on circuit or motor.
Motor fails to develop full power (power output of motor decreases rapidly with decrease in voltage at motor terminals).	<ol style="list-style-type: none"> 1. Power line overloaded with lights, appliances, and other motors. 2. Undersized wires or circuits too long. 3. General overloading of power company facilities. 	<ol style="list-style-type: none"> 1. Reduce load on power line. 2. Increase wire sizes or reduce length of wire. 3. Request a power check from the power company.
Motor overheats.	<ol style="list-style-type: none"> 1. Motor overloaded. 2. Air circulation through the motor restricted. 	<ol style="list-style-type: none"> 1. Reduce load on motor. 2. Clean out motor to provide normal air circulation.
Motor stalls (resulting in blown fuses or tripped circuit).	<ol style="list-style-type: none"> 1. Short circuit in motor or loose connections. 2. Low voltage. 3. Incorrect fuses or circuit breakers in power line. 4. Motor overloaded. 	<ol style="list-style-type: none"> 1. Repair or replace connections on motor for loose or shorted terminals or worn insulation. 2. Correct the low voltage conditions. 3. Install correct fuses or circuit breakers. 4. Reduce load on motor.
Main blade runs backwards.	<ol style="list-style-type: none"> 1. Two of the power wires reversed. 	<ol style="list-style-type: none"> 1. Switch two of the power wires at the terminal strip.
Blade slows when cutting. Blade makes a squealing noise, especially on start-up.	<ol style="list-style-type: none"> 1. V-belt loose. 2. V-belt worn out. 	<ol style="list-style-type: none"> 1. Tighten V-belt. 2. Replace V-belt.

Performance Troubleshooting

Symptom	Possible Cause	Possible Solution
Rip fence scratches table.	<ol style="list-style-type: none"> 1. Fence ride not adjusted properly. 2. Extension table not flush with cast iron table. 	<ol style="list-style-type: none"> 1. Adjust the fence cam bolt as described on page 30, steps 8-10. 2. Adjust the extension table as described on page 28, steps 2-7.
Cuts made on the sliding table are not square.	<ol style="list-style-type: none"> 1. The sliding table is not parallel with the blade. 	<ol style="list-style-type: none"> 1. Adjust the sliding table to be parallel with the blade as described on page 34.
Cuts made with the crosscut fence are not square.	<ol style="list-style-type: none"> 1. The crosscut fence is not square to the blade. 2. The sliding table is not parallel with the blade. 	<ol style="list-style-type: none"> 1. Adjust the crosscut fence as described on page 54. 2. Adjust the sliding table to be parallel with the blade as described on page 34.
Cuts made with the rip fence are not square.	<ol style="list-style-type: none"> 1. The rip fence is not parallel with the blade. 	<ol style="list-style-type: none"> 1. Slide the rip fence over to the blade and adjust the rail until the fence is parallel with the blade.
The rip fence scale is not accurate.	<ol style="list-style-type: none"> 1. The rip fence scale is out of calibration or was not set up correctly. 	<ol style="list-style-type: none"> 1. Adjust the rip fence scale as described on page 35.
The scoring blade cannot be aligned with both the left and right edges of the main blade.	<ol style="list-style-type: none"> 1. The scoring blade kerf thickness does not match that of the main blade. 	<ol style="list-style-type: none"> 1. Remove the scoring blade and add or subtract shims in the center. See "Changing Scoring Blade Set" on page 48 for more details.
Tilt angle shown on digital display is incorrect.	<ol style="list-style-type: none"> 1. The blade tilt has not been calibrated or is out of adjustment. 	<ol style="list-style-type: none"> 1. Calibrate the blade tilt as described on page 52.
Belt tension handle does not adequately loosen the V-belt.	<ol style="list-style-type: none"> 1. The nut on the adjustment stud is positioned too high up on the stud. 	<ol style="list-style-type: none"> 1. Move the knob all the way up and tighten the nut on the adjustment stud to increase tension when knob is moved down.

G0501 CONTROL PANEL (BACK SIDE) DIAGRAM



⚠ DANGER
 Disconnect power from machine before performing any electrical service. Failure to do this will result in a shock hazard leading to injury or death.

WARRANTY AND RETURNS

Grizzly Industrial, Inc. warrants every product it sells for a period of **1 year** to the original purchaser from the date of purchase. This warranty does not apply to defects due directly or indirectly to misuse, abuse, negligence, accidents, repairs or alterations or lack of maintenance. This is Grizzly's sole written warranty and any and all warranties that may be implied by law, including any merchantability or fitness, for any particular purpose, are hereby limited to the duration of this written warranty. We do not warrant or represent that the merchandise complies with the provisions of any law or acts unless the manufacturer so warrants. In no event shall Grizzly's liability under this warranty exceed the purchase price paid for the product and any legal actions brought against Grizzly shall be tried in the State of Washington, County of Whatcom.

We shall in no event be liable for death, injuries to persons or property or for incidental, contingent, special, or consequential damages arising from the use of our products.

To take advantage of this warranty, contact us by mail or phone and give us all the details. We will then issue you a "Return Number," which must be clearly posted on the outside as well as the inside of the carton. We will not accept any item back without this number. Proof of purchase must accompany the merchandise.

The manufacturers reserve the right to change specifications at any time because they constantly strive to achieve better quality equipment. We make every effort to ensure that our products meet high quality and durability standards and we hope you never need to use this warranty.

Please feel free to write or call us if you have any questions about the machine or the manual.

Thank you again for your business and continued support. We hope to serve you again soon.

WARRANTY CARD

Name _____
 Street _____
 City _____ State _____ Zip _____
 Phone Number _____ E-Mail _____ FAX _____
MODEL: G0501 Sliding Table Saw Serial # _____ Order _____

The following information is given on a voluntary basis. It will be used for marketing purposes to help us develop better products and services. Of course, all information is strictly confidential.

CUT ALONG DOTTED LINE

1. How did you learn about us?

<input type="checkbox"/> Advertisement <input type="checkbox"/> Catalog <input type="checkbox"/> World Wide Web <input type="checkbox"/> Other _____	<input type="checkbox"/> Friend <input type="checkbox"/> Card Deck
---	---
2. Which of the following magazines do you subscribe to.

<input type="checkbox"/> American Woodworker <input type="checkbox"/> Cabinetmaker <input type="checkbox"/> Family Handyman <input type="checkbox"/> Fine Homebuilding <input type="checkbox"/> Fine Woodworking <input type="checkbox"/> Home Handyman <input type="checkbox"/> Journal of Light Construction <input type="checkbox"/> Old House Journal <input type="checkbox"/> Popular Mechanics <input type="checkbox"/> Popular Science <input type="checkbox"/> Popular Woodworking <input type="checkbox"/> Other _____	<input type="checkbox"/> Practical Homeowner <input type="checkbox"/> Shop Notes <input type="checkbox"/> Today's Homeowner <input type="checkbox"/> WOOD <input type="checkbox"/> Wooden Boat <input type="checkbox"/> Woodshop News <input type="checkbox"/> Woodsmith <input type="checkbox"/> Woodwork <input type="checkbox"/> Woodworker <input type="checkbox"/> Woodworker's Journal <input type="checkbox"/> Workbench
--	---
3. Which of the following woodworking/remodeling shows do you watch?

<input type="checkbox"/> Backyard America <input type="checkbox"/> Home Time <input type="checkbox"/> The American Woodworker <input type="checkbox"/> Other _____	<input type="checkbox"/> The New Yankee Workshop <input type="checkbox"/> This Old House <input type="checkbox"/> Woodwright's Shop
---	---
4. What is your annual household income?

<input type="checkbox"/> \$20,000-\$29,999 <input type="checkbox"/> \$30,000-\$39,999 <input type="checkbox"/> \$40,000-\$49,999 <input type="checkbox"/> \$50,000-\$59,999	<input type="checkbox"/> \$60,000-\$69,999 <input type="checkbox"/> \$70,000-\$79,999 <input type="checkbox"/> \$80,000-\$89,999 <input type="checkbox"/> \$90,000 +
--	---
5. What is your age group?

<input type="checkbox"/> 20-29 <input type="checkbox"/> 30-39 <input type="checkbox"/> 40-49	<input type="checkbox"/> 50-59 <input type="checkbox"/> 60-69 <input type="checkbox"/> 70 +
--	---
6. How long have you been a woodworker?

<input type="checkbox"/> 0 - 2 Years <input type="checkbox"/> 2 - 8 Years	<input type="checkbox"/> 8 - 20 Years <input type="checkbox"/> 20+ Years
--	---
7. How would you rank your woodworking skills?

<input type="checkbox"/> Simple <input type="checkbox"/> Intermediate	<input type="checkbox"/> Advanced <input type="checkbox"/> Master Craftsman
--	--
8. What stationary woodworking tools do you own? Check all that apply.

<input type="checkbox"/> Air Compressor <input type="checkbox"/> Band Saw <input type="checkbox"/> Drill Press <input type="checkbox"/> Drum Sander <input type="checkbox"/> Dust Collector <input type="checkbox"/> Horizontal Boring Machine <input type="checkbox"/> Jointer <input type="checkbox"/> Lathe <input type="checkbox"/> Mortiser	<input type="checkbox"/> Panel Saw <input type="checkbox"/> Planer <input type="checkbox"/> Power Feeder <input type="checkbox"/> Radial Arm Saw <input type="checkbox"/> Shaper <input type="checkbox"/> Spindle Sander <input type="checkbox"/> Table Saw <input type="checkbox"/> Vacuum Veneer Press <input type="checkbox"/> Wide Belt Sander
--	--
9. How many of your woodworking machines are Grizzly? _____
 Other _____
10. Which benchtop tools do you own? Check all that apply.

<input type="checkbox"/> 1" x 42" Belt Sander <input type="checkbox"/> 5" - 8" Drill Press <input type="checkbox"/> 8" Table Saw <input type="checkbox"/> 8" - 10" Bandsaw <input type="checkbox"/> Disc/Belt Sander <input type="checkbox"/> Mini Jointer <input type="checkbox"/> Other _____	<input type="checkbox"/> 6" - 8" Grinder <input type="checkbox"/> Mini Lathe <input type="checkbox"/> 10" - 12" Thickness Planer <input type="checkbox"/> Scroll Saw <input type="checkbox"/> Spindle/Belt Sander
---	---
11. How many of the machines checked above are Grizzly? _____
12. Which portable/hand held power tools do you own? Check all that apply.

13. What machines/supplies would you like Grizzly Industrial to carry?

14. What new accessories would you like Grizzly Industrial to carry?

<input type="checkbox"/> Builders Hardware <input type="checkbox"/> Fasteners <input type="checkbox"/> Other _____	<input type="checkbox"/> Hand Tools <input type="checkbox"/> Wood Components
--	---
15. What other companies do you purchase your tools and supplies from?

16. Do you think your purchase represents good value?
 Yes No
17. Would you recommend Grizzly Industrial to a friend?
 Yes No
18. Would you allow us to use your name as a reference for Grizzly customers in your area? **Note: We never use names more than three times.**
 Yes No
19. Comments: _____

FOLD ALONG DOTTED LINE



Place
Stamp
Here



GRIZZLY INDUSTRIAL, INC.
P.O. BOX 2069
BELLINGHAM, WA 98227-2069



FOLD ALONG DOTTED LINE

Send a Grizzly Catalog to a friend:

Name _____
Street _____
City _____ State _____ Zip _____

TAPE ALONG EDGES--PLEASE DO NOT STAPLE

grizzly.com

TOOL WEBSITE

Buy Direct and Save with Grizzly® – Trusted, Proven and a Great Value!

*Visit Our Website Today And Discover
Why Grizzly® Is The Industry Leader!*

- SECURE ORDERING
- ORDERS SHIPPED WITHIN 24 HOURS
- E-MAIL RESPONSE WITHIN ONE HOUR

-OR-

Call Today For A **FREE**
Full Color Catalog

1-800-523-4777



Free Manuals Download Website

<http://myh66.com>

<http://usermanuals.us>

<http://www.somanuals.com>

<http://www.4manuals.cc>

<http://www.manual-lib.com>

<http://www.404manual.com>

<http://www.luxmanual.com>

<http://aubethermostatmanual.com>

Golf course search by state

<http://golfingnear.com>

Email search by domain

<http://emailbydomain.com>

Auto manuals search

<http://auto.somanuals.com>

TV manuals search

<http://tv.somanuals.com>