

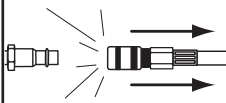


MODEL H0593 7" ANGLE POLISHER INSTRUCTION SHEET

⚠ WARNING



EYE INJURY HAZARD!
Always wear safety glasses when using this tool to prevent serious personal



INJURY HAZARD!
Always disconnect tool from air to prevent unexpected operation during service.



EXPLOSION HAZARD!
Never exceed 120 PSI.



Figure 1. Model H0593.

Introduction

This versatile 7" Angle Polisher is a mate to our H0592 7" Angle Sander. Requires 90 PSI and consumes 12 CFM. The spindle thread is $\frac{5}{8}$ " x 11 UNC and no load speed is 2,500 RPM. Weighs 5 lbs. Air inlet size is $\frac{1}{4}$ " NPT.

Inventory

- A. Air Polisher 1
- B. Pin-Type Spanner Wrench 1
- C. Flat Wrench 19mm 1
- D. 7" Sanding Pad 1
- E. Lock Nut 1
- F. Handle 1

Operation

Tool requires 90 PSI to operate correctly.

To improve tool lifespan, use a filter/lubricator/regulator as shown in **Figure 2**. Otherwise, lubricate daily with a couple drops of pneumatic tool oil directly into the air fitting as shown in **Figure 3**.

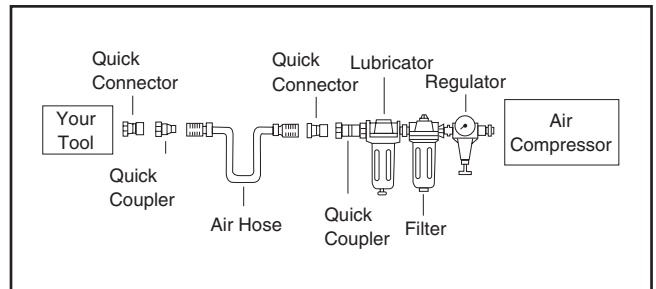


Figure 2. Installing your tool.

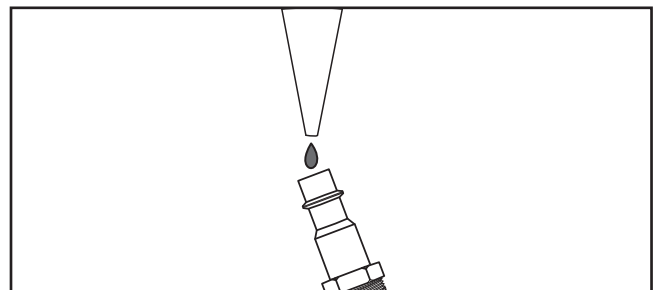
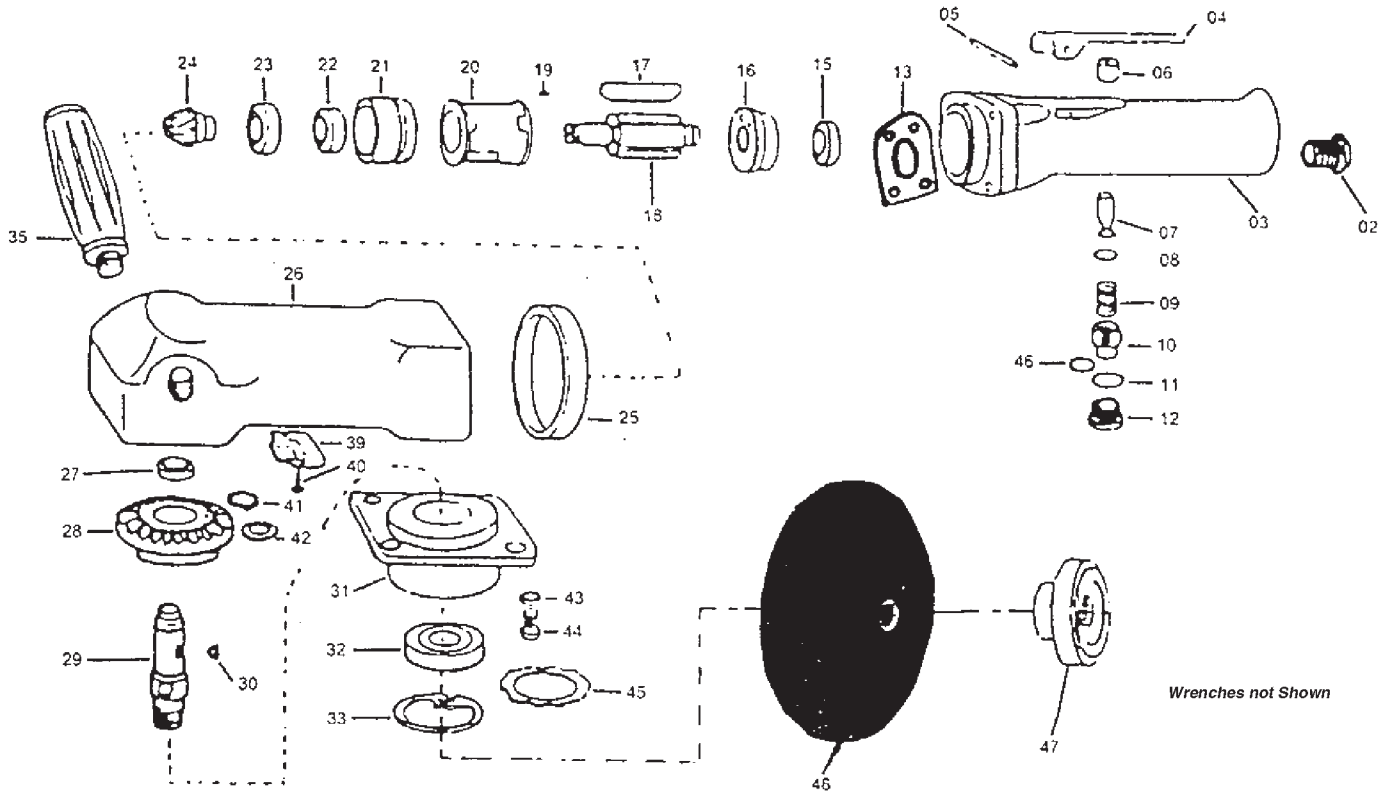


Figure 3. Lubricating directly into air fitting.

If you need help with your new pneumatic tool, call our Tech Support at: (570) 546-9663.

COPYRIGHT © FEBRUARY, 2006 BY GRIZZLY INDUSTRIAL, INC. REVISED SEPTEMBER, 2009 (BL)
WARNING: NO PORTION OF THIS MANUAL MAY BE REPRODUCED IN ANY SHAPE OR FORM WITHOUT THE WRITTEN APPROVAL OF GRIZZLY INDUSTRIAL, INC.
 #TR7990 PRINTED IN TAIWAN

H0593 Parts Breakdown and List



Wrenches not Shown

| REF | PART # | DESCRIPTION |
|-----|-----------|-----------------|
| 2 | PH0592002 | AIR INLET |
| 3 | PH0592003 | VALVE BODY |
| 4 | PH0592004 | LEVER |
| 5 | PH0592005 | LEVER PIN |
| 6 | PH0592006 | VALVE BUSHING |
| 7 | PH0592007 | VALVE STEM |
| 8 | PH0592008 | O-RING |
| 9 | PH0592009 | VALVE SPRING |
| 10 | PH0592010 | AIR CONTROLLER |
| 11 | PH0592011 | O-RING |
| 12 | PH0592012 | VALVE SCREW |
| 13 | PH0592013 | GASKET |
| 15 | PH0592015 | BEARING |
| 16 | PH0592016 | REAR END PLATE |
| 17 | PH0592017 | ROTOR BLADE |
| 18 | PH0592018 | ROTOR |
| 19 | PH0592019 | CYLINDER PIN |
| 20 | PH0592020 | CYLINDER |
| 21 | PH0592021 | FRONT END PLATE |
| 22 | PH0592022 | BEARING |
| 23 | PH0592023 | BEARING |
| 24 | PH0592024 | PINION |

| REF | PART # | DESCRIPTION |
|-----|-----------|-------------------------|
| 25 | PH0592025 | HOUSING BAND |
| 26 | PH0592026 | MOTOR HOUSING |
| 27 | PH0592027 | BEARING |
| 28 | PH0592028 | BEVEL GEAR |
| 29 | PH0592029 | SPINDLE |
| 30 | PH0592030 | WOODRUF KEY |
| 31 | PH0592031 | HOUSING CAP |
| 32 | PH0592032 | BEARING |
| 33 | PH0592033 | RETAINING RING |
| 35 | PH0592035 | HANDLE |
| 39 | PH0592039 | EXHAUST DEFLECTOR |
| 40 | PH0592040 | EXHAUST DEFLECTOR SCREW |
| 41 | PH0592041 | RETAINING RING |
| 42 | PH0592042 | WAVE WASHER |
| 43 | PH0592043 | SPRING WASHER |
| 44 | PH0592044 | SCREW |
| 45 | PH0592045 | WAVE WASHER |
| 46 | PH0592046 | O-RING |
| 47 | PH0592047 | LOCK NUT |
| 48 | PH0592048 | 7" SANDING PAD |
| 49 | PH0592049 | PIN-TYPE SPANNER WRENCH |
| 50 | PH0592050 | FLAT WRENCH 19MM |

Free Manuals Download Website

<http://myh66.com>

<http://usermanuals.us>

<http://www.somanuals.com>

<http://www.4manuals.cc>

<http://www.manual-lib.com>

<http://www.404manual.com>

<http://www.luxmanual.com>

<http://aubethermostatmanual.com>

Golf course search by state

<http://golfingnear.com>

Email search by domain

<http://emailbydomain.com>

Auto manuals search

<http://auto.somanuals.com>

TV manuals search

<http://tv.somanuals.com>