

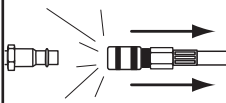


MODEL H0592 7" ANGLE SANDER INSTRUCTION SHEET

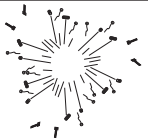
⚠ WARNING



EYE INJURY HAZARD!
Always wear safety glasses when using this tool to prevent serious personal



INJURY HAZARD!
Always disconnect tool from air to prevent unexpected operation during service.



EXPLOSION HAZARD!
Never exceed 120 PSI.

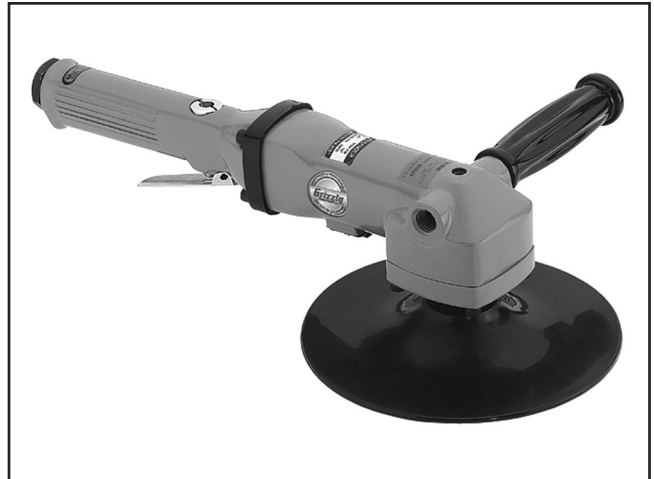


Figure 1. Model H0592.

Introduction

An excellent air sander that has a free speed of 4,500 RPM. Requires 90 PSI and consumes 12 CFM. Spindle thread nut is 5/8" x 11 UNC. Weighs 6.5 lbs. Pad size is 7". Air inlet is 1/4" NPT.

Inventory

- A. Air Sander 1
- B. Pin-Type Spanner Wrench..... 1
- C. Flat Wrench 19mm..... 1
- D. 7" Sanding Pad 1
- E. Lock Nut 1
- F. Handle 1

Operation

Tool requires 90 PSI to operate correctly.

To improve tool lifespan, use a filter/lubricator/regulator as shown in **Figure 2**. Otherwise, lubricate daily with a couple drops of pneumatic tool oil directly into the air fitting as shown in **Figure 3**.

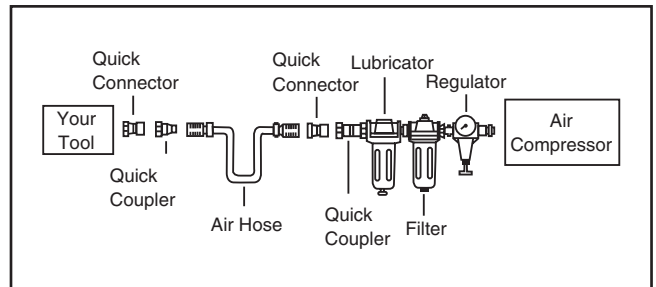


Figure 2. Installing your tool.

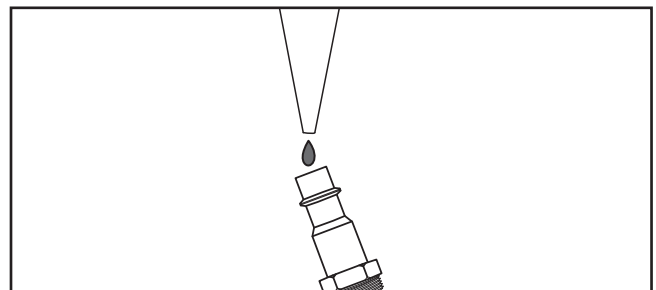
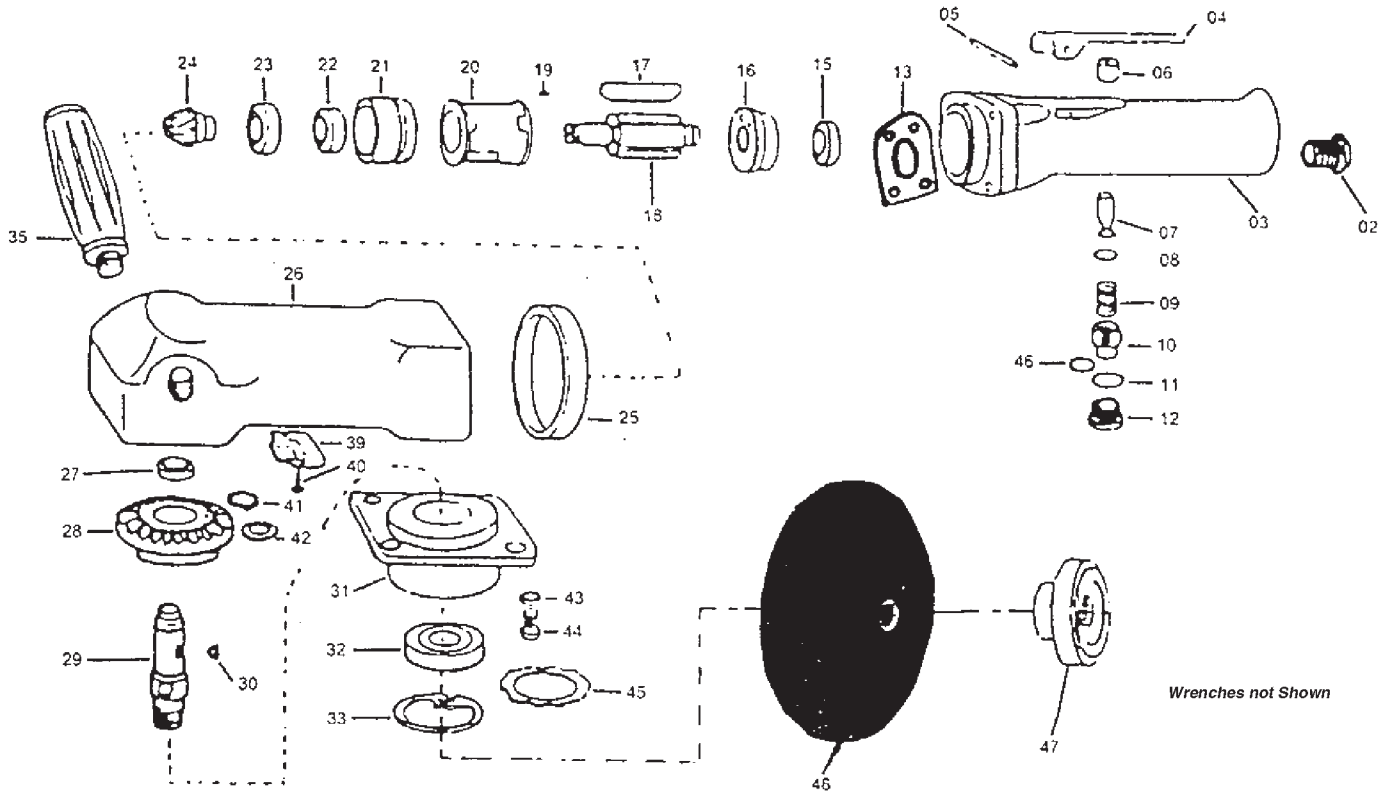


Figure 3. Lubricating directly into air fitting.

If you need help with your new pneumatic tool, call our Tech Support at: (570) 546-9663.

COPYRIGHT © FEBRUARY, 2006 BY GRIZZLY INDUSTRIAL, INC.
WARNING: NO PORTION OF THIS MANUAL MAY BE REPRODUCED IN ANY SHAPE OR FORM WITHOUT THE WRITTEN APPROVAL OF GRIZZLY INDUSTRIAL, INC.
 #TR7971 PRINTED IN TAIWAN

H0592 Parts Breakdown and List



Wrenches not Shown

REF	PART #	DESCRIPTION
2	PH0592002	AIR INLET
3	PH0592003	VALVE BODY
4	PH0592004	LEVER
5	PH0592005	LEVER PIN
6	PH0592006	VALVE BUSHING
7	PH0592007	VALVE STEM
8	PH0592008	O-RING
9	PH0592009	VALVE SPRING
10	PH0592010	AIR CONTROLLER
11	PH0592011	O-RING
12	PH0592012	VALVE SCREW
13	PH0592013	GASKET
15	PH0592015	BEARING
16	PH0592016	REAR END PLATE
17	PH0592017	ROTOR BLADE
18	PH0592018	ROTOR
19	PH0592019	CYLINDER PIN
20	PH0592020	CYLINDER
21	PH0592021	FRONT END PLATE
22	PH0592022	BEARING
23	PH0592023	BEARING
24	PH0592024	PINION

REF	PART #	DESCRIPTION
25	PH0592025	HOUSING BAND
26	PH0592026	MOTOR HOUSING
27	PH0592027	BEARING
28	PH0592028	BEVEL GEAR
29	PH0592029	SPINDLE
30	PH0592030	WOODRUF KEY
31	PH0592031	HOUSING CAP
32	PH0592032	BEARING
33	PH0592033	RETAINING RING
35	PH0592035	HANDLE
39	PH0592039	EXHAUST DEFLECTOR
40	PH0592040	EXHAUST DEFLECTOR SCREW
41	PH0592041	RETAINING RING
42	PH0592042	WAVE WASHER
43	PH0592043	SPRING WASHER
44	PH0592044	SCREW
45	PH0592045	WAVE WASHER
46	PH0592046	O-RING
47	PH0592047	LOCK NUT
48	PH0592048	7" SANDING PAD
49	PH0592049	PIN-TYPE SPANNER WRENCH
50	PH0592050	FLAT WRENCH 19MM

Free Manuals Download Website

<http://myh66.com>

<http://usermanuals.us>

<http://www.somanuals.com>

<http://www.4manuals.cc>

<http://www.manual-lib.com>

<http://www.404manual.com>

<http://www.luxmanual.com>

<http://aubethermostatmanual.com>

Golf course search by state

<http://golfingnear.com>

Email search by domain

<http://emailbydomain.com>

Auto manuals search

<http://auto.somanuals.com>

TV manuals search

<http://tv.somanuals.com>