

Operation

1. DISCONNECT BUFFER FROM POWER!
2. Install the sanding drum on the buffer shaft using the spacers and flanges included with the buffer (**Figure 2**).

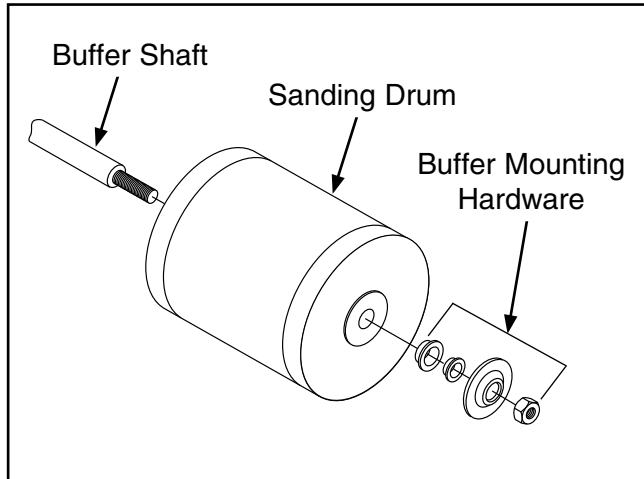
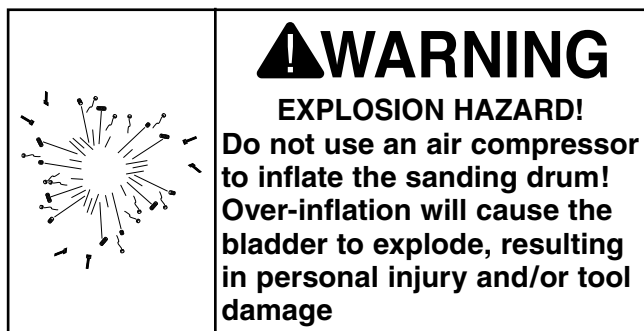


Figure 2. Mounting drum to shaft.

3. Slide the sanding sleeve over the sanding drum.
4. Use a bicycle pump (or other manual pump) to inflate the drum until the sanding sleeve is secure. Do not exceed the 10 PSI maximum rating.



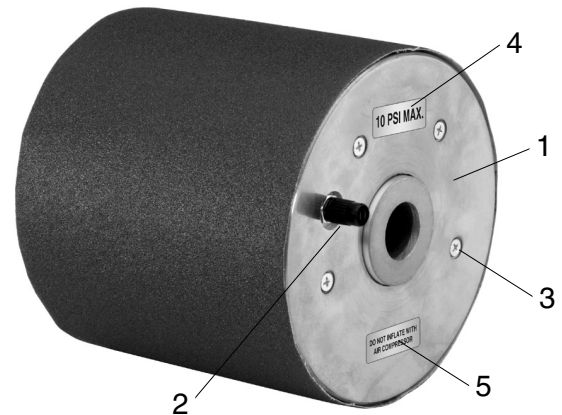
Operation Tips

- Adjust the pressure in the drum to fine-tune its firmness for sanding contours.
- Always hold the workpiece firmly—the soft surface of the drum will exert more force on the workpiece than a traditional sanding drum.
- Deflate the drum when not in use.

Replacement Sanding Sleeves

- G1973 3" x 6" x 100 Grit Silicon Carbide
- G1974 3" x 6" x 150 Grit Silicon Carbide
- G1975 4" x 6" x 100 Grit Silicon Carbide
- G1976 4" x 6" x 150 Grit Silicon Carbide
- G1977 6" x 6" x 100 Grit Silicon Carbide
- G1978 6" x 6" x 150 Grit Silicon Carbide

Parts Breakdown & List



MODEL	REF	PART #	DESCRIPTION
G1970	1	P1970001	RUBBER DRUM 3"
	2	P1970002	VALVE STEM
	3	PFH08	FLAT HD SCR 10-24 X 1/2
	4	P1970004	10 PSI MAX. LABEL
	5	P1970005	AIR COMPRESSOR LABEL
G1971	1	P1971001	RUBBER DRUM 4"
	2	P1971002	VALVE STEM
	3	PFH08	FLAT HD SCR 10-24 X 1/2
	4	P1970004	10 PSI MAX. LABEL
	5	P1970005	AIR COMPRESSOR LABEL
G1972	1	P1972001	RUBBER DRUM 6"
	2	P1972002	VALVE STEM
	3	PFH08	FLAT HD SCR 10-24 X 1/2
	4	P1970004	10 PSI MAX. LABEL
	5	P1970005	AIR COMPRESSOR LABEL

If you need help with your new pneumatic tool, call our Tech Support at: (570) 546-9663.



Free Manuals Download Website

<http://myh66.com>

<http://usermanuals.us>

<http://www.somanuals.com>

<http://www.4manuals.cc>

<http://www.manual-lib.com>

<http://www.404manual.com>

<http://www.luxmanual.com>

<http://aubethermostatmanual.com>

Golf course search by state

<http://golfingnear.com>

Email search by domain

<http://emailbydomain.com>

Auto manuals search

<http://auto.somanuals.com>

TV manuals search

<http://tv.somanuals.com>