

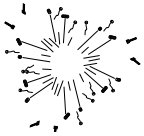


# MODEL G1970/G1971/G1972 PNEUMATIC SANDING DRUM FOR BUFFERS INSTRUCTIONS

## ⚠ WARNING



**EYE INJURY HAZARD!**  
Always wear safety glasses during use to prevent serious personal injury.



**10 PSI MAX AIR PRESSURE!**  
Exceeding this PSI may result in injury/tool damage. Use manual pump only!



**RESPIRATORY HAZARD!**  
Sanding produces fine dust. Wear the appropriate protection during use!

## Functional Overview

A pneumatic sanding drum mounted to a buffer allows for easy and smooth sanding of contours and curves.

The inflatable bladder provides for easy changes of the replaceable sanding sleeve and also allows for fine-tuning of the overall flexibility of the drum for sanding compound curves and contoured surfaces.

By increasing the pressure in the drum, a user can create a more rigid surface for sanding shallow contours. Similarly, by decreasing the pressure, a user can soften the surface of the drum, allowing it to "wrap-around" workpieces with tighter curves.

Completely releasing the pressure decreases the diameter of the drum so the sanding sleeve can be removed and replaced.

## Specifications

Bore Diameter .....	1"
Length.....	6"
Diameter:	
G1970.....	3"
G1971.....	4"
G1972.....	6"
Air Inlet Type .....	Schrader Valve
Maximum Pressure .....	10 PSI
Inflation Method.....	Manual Pump Only

## Inventory

- A. Pneumatic Sanding Drum ..... 1
- B. Sanding Sleeve ..... 1

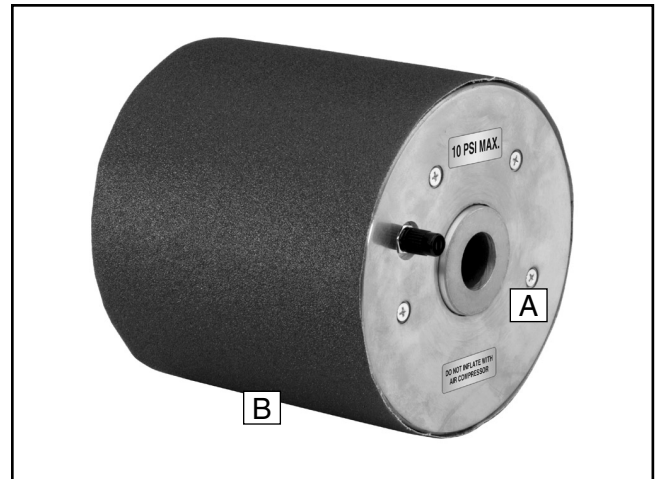


Figure 1. Model G1972.

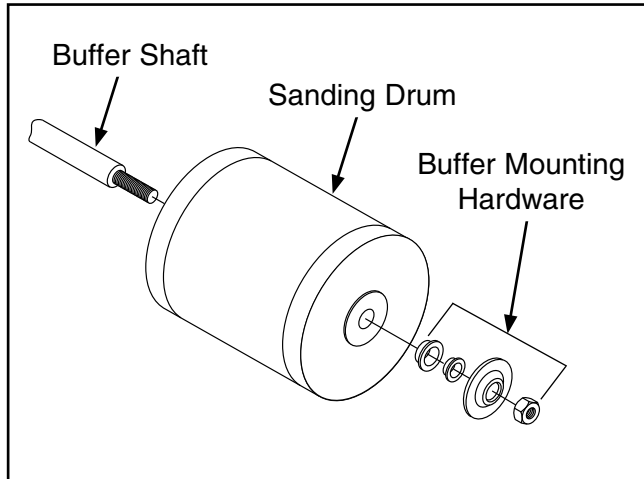
COPYRIGHT © MARCH, 2008 BY GRIZZLY INDUSTRIAL, INC.

**WARNING: NO PORTION OF THIS MANUAL MAY BE REPRODUCED IN ANY SHAPE OR FORM WITHOUT THE WRITTEN APPROVAL OF GRIZZLY INDUSTRIAL, INC.**

#JB10527 PRINTED IN TAIWAN

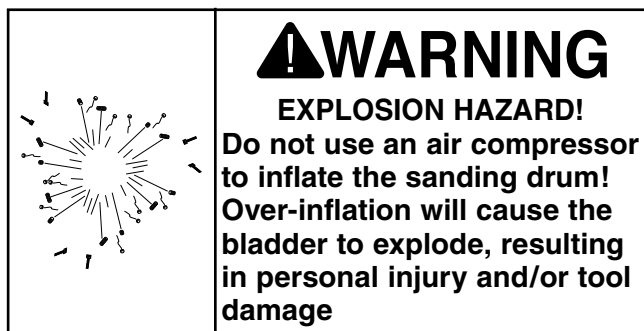
## Operation

1. DISCONNECT BUFFER FROM POWER!
2. Install the sanding drum on the buffer shaft using the spacers and flanges included with the buffer (**Figure 2**).



**Figure 2.** Mounting drum to shaft.

3. Slide the sanding sleeve over the sanding drum.
4. Use a bicycle pump (or other manual pump) to inflate the drum until the sanding sleeve is secure. Do not exceed the 10 PSI maximum rating.



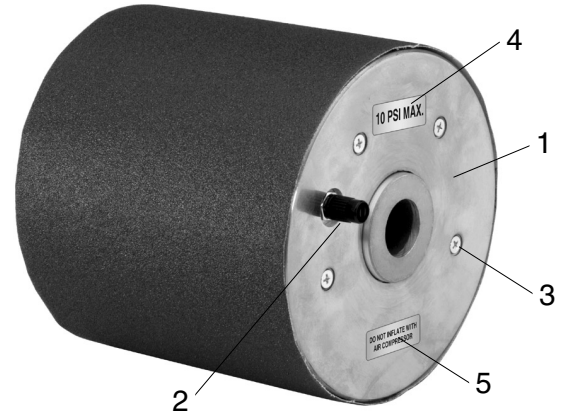
## Operation Tips

- Adjust the pressure in the drum to fine-tune its firmness for sanding contours.
- Always hold the workpiece firmly—the soft surface of the drum will exert more force on the workpiece than a traditional sanding drum.
- Deflate the drum when not in use.

## Replacement Sanding Sleeves

- G1973 3" x 6" x 100 Grit Silicon Carbide
- G1974 3" x 6" x 150 Grit Silicon Carbide
- G1975 4" x 6" x 100 Grit Silicon Carbide
- G1976 4" x 6" x 150 Grit Silicon Carbide
- G1977 6" x 6" x 100 Grit Silicon Carbide
- G1978 6" x 6" x 150 Grit Silicon Carbide

## Parts Breakdown & List



MODEL	REF	PART #	DESCRIPTION
G1970	1	P1970001	RUBBER DRUM 3"
	2	P1970002	VALVE STEM
	3	PFH08	FLAT HD SCR 10-24 X 1/2
	4	P1970004	10 PSI MAX. LABEL
	5	P1970005	AIR COMPRESSOR LABEL
G1971	1	P1971001	RUBBER DRUM 4"
	2	P1971002	VALVE STEM
	3	PFH08	FLAT HD SCR 10-24 X 1/2
	4	P1970004	10 PSI MAX. LABEL
	5	P1970005	AIR COMPRESSOR LABEL
G1972	1	P1972001	RUBBER DRUM 6"
	2	P1972002	VALVE STEM
	3	PFH08	FLAT HD SCR 10-24 X 1/2
	4	P1970004	10 PSI MAX. LABEL
	5	P1970005	AIR COMPRESSOR LABEL

*If you need help with your new pneumatic tool, call our Tech Support at: (570) 546-9663.*



## Free Manuals Download Website

<http://myh66.com>

<http://usermanuals.us>

<http://www.somanuals.com>

<http://www.4manuals.cc>

<http://www.manual-lib.com>

<http://www.404manual.com>

<http://www.luxmanual.com>

<http://aubethermostatmanual.com>

Golf course search by state

<http://golfingnear.com>

Email search by domain

<http://emailbydomain.com>

Auto manuals search

<http://auto.somanuals.com>

TV manuals search

<http://tv.somanuals.com>