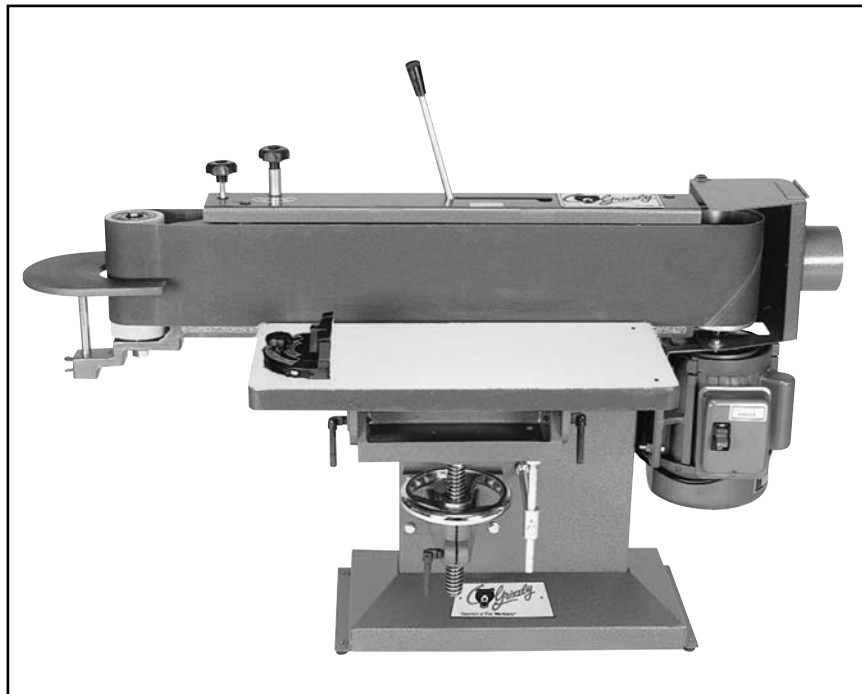


INDUSTRIAL, INC.

**EDGE SANDER
MODEL G1531
INSTRUCTION MANUAL**



COPYRIGHT © 1989 BY GRIZZLY INDUSTRIAL, INC. REG. # TX 3 170 581
**WARNING: NO PORTION OF THIS MANUAL MAY BE REPRODUCED IN ANY SHAPE
OR FORM WITHOUT THE WRITTEN APPROVAL OF GRIZZLY INDUSTRIAL, INC.**
REVISED FEBRUARY, 1999. PRINTED IN USA



WARNING!

Some dust created by power sanding, sawing, grinding, drilling, and other construction activities contains chemicals known to the State of California to cause cancer, birth defects or other reproductive harm. Some examples of these chemical are:

- **Lead from lead-based paints.**
- **Crystalline silica from bricks, cement and other masonry products.**
- **Arsenic and chromium from chemically-treated lumber.**

Your risk from these exposures varies, depending on how often you do this type of work. To reduce your exposure to these chemicals: Work in a well ventilated area, and work with approved safety equipment, such as those dust masks that are specially designed to filter out microscopic particles.

Table Of Contents

	PAGE
1. INTRODUCTION	3
SAFETY RULES FOR ALL TOOLS	4-5
UNPACKING.....	6
PIECE INVENTORY	6
CLEAN UP	7
SITE CONSIDERATIONS	7
CIRCUIT REQUIREMENTS	8
2. ASSEMBLY	9
BEGINNING ASSEMBLY	9
FEET.....	9
WORKING TABLE.....	10-11
MITER BODY	12
QUICK RELEASE LEVER	12
AUXILIARY TABLE.....	13
DUST HOOD	13
BELT INSTALLATION	14
3. ADJUSTMENTS	15
BELT TRACKING	15
AUXILIARY TABLE.....	15
TABLE TILT	16
TABLE HEIGHT	16
BELT TENSION	16
4. OPERATIONS	17
EDGE SANDER SAFETY RULES	17
TEST RUN	18
EDGE & END SANDING	19
CONTOUR SANDING	19
5. MAINTENANCE	21
GENERAL.....	21
LUBRICATION	21
TABLE.....	21
6. CLOSURE	22
MACHINE DATA.....	23
PART LISTS	24
PART BREAKDOWN	25
WARRANTY AND RETURNS	26

SECTION 1: INTRODUCTION

Grizzly Industrial, Inc. is proud to offer the Model G1531 Edge Sander. This sander is a part of Grizzly's growing family of fine woodworking machinery. When used according to the guidelines stated in this manual, you can expect years of trouble-free, enjoyable operation.

The Model G1531 is intended for home and medium-duty professional use. This sander features a 1,720 RPM, 1½ H.P. capacitor-start motor, mechanical ON/OFF switch, 4" dust port and a cast iron working table.

All running parts utilize shielded ball bearings which require no lubrication for the life of the bearings.

We are also pleased to provide this manual with the Model G1531. It was written to guide you through assembly, review safety considerations, and cover general operating procedures. It represents our latest effort to produce the best documentation possible. If you have any criticisms that you feel we should pay attention to in our next printing, please write to us at the address below:

Grizzly Industrial, Inc.
% Technical Documentation
P.O. Box 2069
Bellingham, WA 98227-2069

Most importantly, we stand behind our machines. If you have any service questions or parts requests, please call or write to us at:

Grizzly Industrial, Inc.
1203 Lycoming Mall Circle
Muncy, PA 17756
Phone: (570) 546-9663
Fax: (800) 438-5901
E-Mail: techsupport@grizzly.com
Web Site: <http://www.grizzly.com>

WARNING

To operate this or any power tool safely and efficiently, it is essential to become as familiar with it as possible. The time you invest before you begin to use your Model G1531 will be time well spent. DO NOT operate this machine until you are completely familiar with the contents of this manual. Serious personal injury may occur.

SAFETY RULES FOR ALL TOOLS

WARNING

For Your Own Safety Read Instruction Manual Before Operating This Equipment

The purpose of safety symbols is to attract your attention to possible dangers. This manual uses a series of symbols which are intended to convey the level of criticality of the safety message. The progression of symbols is described below. Remember that safety messages by themselves do not eliminate danger and are not a substitute for proper accident prevention measures.

 **NOTE** This symbol is used to alert the user to useful information about safe and proper operation of the equipment.

 **CAUTION** Failure to obey a CAUTION symbol and notation may result in minor or moderate property damage or personal injury.

 **WARNING** Failure to obey a WARNING symbol and notation can result in serious injury to yourself and others.

 **DANGER** Failure to obey a DANGER symbol and notation WILL result in serious personal injury including loss of life or body parts.

WARNING

Safety Instructions For Power Tools

- KEEP GUARDS IN PLACE** and in working order.
- REMOVE ADJUSTING KEYS AND WRENCHES.** Form habit of checking to see that keys and adjusting wrenches are removed from tool before turning on.
- KEEP WORK AREA CLEAN.** Cluttered areas and benches invite accidents.
- DON'T USE IN DANGEROUS ENVIRONMENT.** Don't use power tools in damp or wet locations, or where any flammable or noxious fumes may exist. Keep work area well lighted.
- KEEP CHILDREN AND VISITORS AWAY.** All children and visitors should be kept a safe distance from work area.
- MAKE WORK SHOP CHILD PROOF** with padlocks, master switches, or by removing starter keys.
- DON'T FORCE TOOL.** It will do the job better and safer at the rate for which it was designed.
- USE RIGHT TOOL.** Don't force tool or attachment to do a job for which it was not designed.

WARNING

Safety Instructions For Power Tools

- 9. USE PROPER EXTENSION CORD.** Make sure your extension cord is in good condition. When using an extension cord, be sure it is rated Hard Service (grade S) or better. Conductor size must be 16 A.W.G. for cords up to 100 feet in length. An undersized cord will cause a drop in line voltage resulting in loss of power and overheating. Your extension cord must also contain a ground wire and plug pin. Always repair or replace extension cords if they become damaged. Minimum Gage for extension cord:
- | | |
|------------------|--------------|
| 16 A.W.G. | 50ft |
| 16 A.W.G. | 100ft |
| 14 A.W.G. | 200ft |
| 12 A.W.G. | 300ft |
- 10. WEAR PROPER APPAREL.** Do not wear loose clothing, gloves, neckties, rings, bracelets, or other jewelry which may get caught in moving parts. Non-slip footwear is recommended. Wear protective hair covering to contain long hair.
- 11. ALWAYS USE SAFETY GLASSES.** Also use face or dust mask if cutting operation is dusty. Everyday eyeglasses only have impact resistant lenses, they are NOT safety glasses.
- 12. SECURE WORK.** Use clamps or a vise to hold work when practical. It's safer than using your hand and frees both hands to operate tool.
- 13. DON'T OVERREACH.** Keep proper footing and balance at all times.
- 14. MAINTAIN TOOLS WITH CARE.** Keep tools sharp and clean for best and safest performance. Follow instructions for lubricating and changing accessories.
- 15. DISCONNECT TOOLS** before servicing and changing accessories, such as blades, bits, cutters, and the like.
- 16. REDUCE THE RISK OF UNINTENTIONAL STARTING.** Make sure switch is in off position before plugging in.
- 17. USE RECOMMENDED ACCESSORIES.** Consult the owner's manual for recommended accessories. The use of improper accessories may cause risk of injury.
- 18. CHECK DAMAGED PARTS.** Before further use of the tool, a guard or other part that is damaged should be carefully checked to determine that it will operate properly and perform its intended function. Check for alignment of moving parts, binding of moving parts, breakage of parts, mounting, and any other conditions that may affect its operation. A guard or other part that is damaged should be properly repaired or replaced.
- 19. DIRECTION OF FEED.** Feed work into a blade or cutter against the direction of rotation of the blade or cutter only.
- 20. NEVER LEAVE TOOL RUNNING UNATTENDED. TURN POWER OFF.** Don't leave tool until it comes to a complete stop.

Unpacking

The Model G1531 Edge Sander is shipped from the manufacturer in a carefully packed carton. If you discover the machine is damaged after you've signed for delivery, *please call Customer Service immediately for advice.*

Save the containers and all packing materials for possible inspection by the carrier or its agent. *Otherwise filing a freight claim can be difficult.*

WARNING

The G1531 is a very heavy machine (220 lbs. shipping weight). DO NOT over-exert yourself while unpacking or moving your machine – get assistance. In the event that your sander must be moved up or down a flight of stairs, be sure that the stairs are capable of supporting the combined weight of people and the machine. Serious personal injury may occur.

When you are completely satisfied with the condition of your shipment, you should inventory its parts.



Piece Inventory

After all the parts have been removed from the carton, you should have:

- Sanding Unit
- Sanding Table
- Trunnions (2)
- Table Bracket w/ Lead Screw
- Lead Screw Bracket
- Hand Wheel
- Stabilizing Bracket
- Stabilizing Post
- Lock Handles (2)
- Plastic Knob
- Lever Handle
- Auxiliary Table w/ Post
- Dust Port
- 6" x 80" Sanding Belt
- Phillips® Head Screw 10-24 x 3/4" (4)
- Feet (4)
- Miter Body
- Hex Bolt 5/16"- 18 x 1" (2)
- Flat Washer 5/16" (2)
- Flat Washer 3/8" (2)

In the event that any non proprietary parts are missing (e.g. a nut or a washer...), we would be glad to replace them, or, for the sake of expediency, replacements can be obtained at your local hardware store.



Figure 1. Overview of all the parts.

Clean up

WARNING

The table and other unpainted parts of the Model G1531 are coated with a waxy oil that protects them from corrosion during shipment. Remove the protective coating with mineral spirits and paper towels. Do not use gasoline or other petroleum based solvents because of their extremely low flash points. Do not use chlorine-based solvents – if you happen to splash some onto a painted surface, you'll ruin the finish. Serious personal injury may occur.

WARNING

Follow the safety rules listed below when working with solvents. Serious personal injury may occur.

1. Read and follow all directions and warnings on the solvent label.
2. Work only in a well ventilated area.
3. Do not work near any type of open flame (e.g., pilot lights, kerosene heaters, and so on).
4. **DO NOT** smoke while working with flammable material.
5. Paper towels from the cleaning process are extremely combustible. Dispose of waste towels so they do not create a fire hazard.



Site Considerations

CAUTION

Floor Load: Your G1531 Sander represents a large weight load in a small footprint. Most commercial floors are suitable for the Model G1531. Some residential floors may require additional build up to support both machine and operator.

Working Clearances: Consider existing and anticipated needs, size of material to be processed through each machine, and space for auxiliary stands, work tables or other machinery when establishing a home for your edge sander. Allow sufficient room to safely run your machines in any foreseeable operation.

WARNING

Lighting and Outlets: Lighting should be bright enough to eliminate shadow and prevent eye strain. Electrical circuits should be dedicated or large enough to handle amperage requirements. Outlets should be located near each machine so power or extension cords are clear of high-traffic areas. Observe local electrical codes for proper installation of new lighting, outlets, or circuits. Serious personal injury may occur.

Working Height: It is recommended that a stand be constructed to bring the work table into a comfortable working height for the operator. The stand should be constructed heavy enough to support the machine and the item to be sanded.

WARNING

Make sure the machine is secured to the stand and that the stand is secured to the floor. Serious personal injury may occur.



Circuit Requirements

WARNING

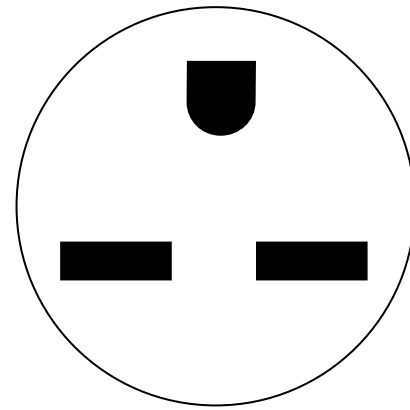
The motor supplied with the G1531 is a dual-voltage 110/220V motor prewired for 220V. Under normal use, the motor draws approximately 10 amps @ 220V. We recommend using a 15 amp circuit breaker or a 20 amp fuse for 220V operation. This should be satisfactory for normal use, while preventing motor damage from high heat caused by overload. The circuit you use should be dedicated, (i.e., the G1531 should provide the only draw from that circuit). If frequent circuit failures occur when using the edge sander, contact our service department or your local electrical contractor. If you wish to run the Edge Sander on 110V, please contact the service center for further instruction. Serious personal injury may occur.

WARNING

This equipment must be grounded. Please ensure that the edge sander is continuously grounded from the motor to the machine frame and then to a known ground. Verify that any existing electrical outlet and circuit you intend to plug into is actually grounded. If it is not, it will be necessary to run a separate 12 A.W.G. copper grounding wire from the outlet to a known ground. Under no circumstances should the grounding pin from any three-pronged plug be removed. Serious personal injury may occur.

WARNING

Plug/receptacle: We recommend using the plug type illustrated in Figure 2. Contact your local electrical contractor's supply, a licensed electrician or our service department if you have questions about the configuration for your specific situation. Serious personal injury may occur.



220V/240V
15A
NEMA 6-15

Figure 2. Recommended 220V plug/receptacle.

WARNING

Extension Cords: If used, extension cords must be rated Hard Service (grade S) or better. Conductor size must be 14 A.W.G. for cords up to 50 feet in length. Your extension cord must also contain a ground wire and plug pin. Always repair or replace extension cords if they become damaged. Serious personal injury may occur.

WARNING

Be sure that your particular electrical configuration complies with local and state codes. The best way to ensure compliance is to check with your local municipality or licensed electrician. Serious personal injury may occur.



SECTION 2: ASSEMBLY

Beginning Assembly

Assembly of the G1531 is straightforward. We have organized the assembly process into steps. Please follow them in sequence.

WARNING

All die-cut metal parts have a sharp edge (called “flashing”) on them after they are formed. This is removed at the factory. Sometimes a bit of flashing might escape inspection. Please examine the edges of all die-cut metal parts before handling them. Serious personal injury may occur.

Tools Required: Only a few common tools are needed to assemble this machine. Specifically, a 6" adjustable wrench, 12mm open end wrench, regular and Phillips® screwdriver.



Feet

1. Carefully lay the machine over on its side. Have someone assist you when doing this.

WARNING

Do not attempt to lay to machine over by yourself. Serious personal injury may occur.

2. Install the four feet using the 10-24 x 3/4" Phillips® Head Screws provided. **Figure 3.** Get assistance and stand the machine up.



Figure 3. Installing the foot pads.



Working Table

1. Bolt the lead screw bracket to the front of the stand using the four Hex Bolts already threaded in place. **Figure 4.**



Figure 4. Lead screw bracket Installed.

2. Thread the horizontal brace into position, but do not tighten it down; the brace will require further adjustment later on. **Figure 5.**



Figure 5. Installing the horizontal brace.

3. Locate the lead screw / table bracket assembly and the handwheel. Thread the handwheel onto the lead screw about halfway and insert the lead screw into the lead screw bracket. **Figure 6.**

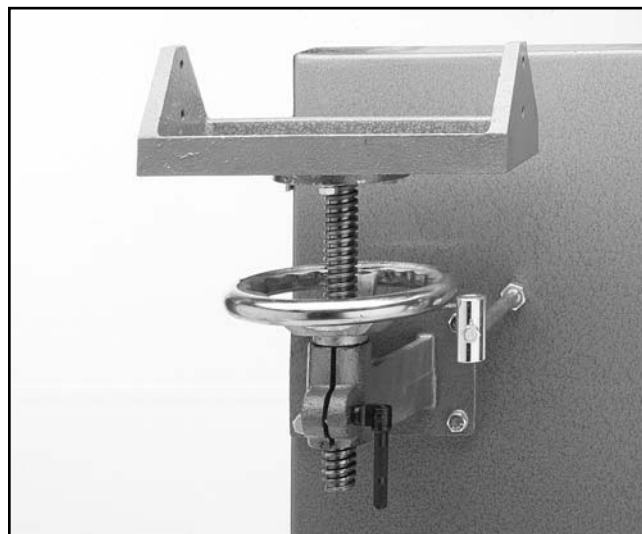


Figure 6. Installing the lead screw assembly.

4. Locate the vertical brace and remove the top Hex Nut and Flat Washer.
5. Turn the horizontal brace approximately 45° and insert the vertical brace through the hole at the end of the horizontal brace. Rotate the horizontal/vertical brace assembly to 90°.
6. Insert the threaded end of the vertical brace through the hole in the bottom of the table bracket and re-install the Flat Washer and Hex Nut back onto the shaft. **Figure 7.**

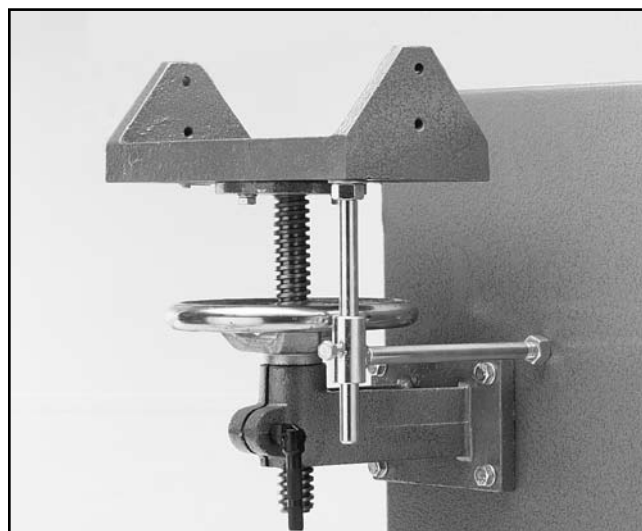


Figure 7. Horizontal/Vertical brace installed.

7. Measure the table bracket to the stand to assure it is parallel to the stand. **Figure 8.** If the bracket is not parallel, remove the vertical brace, thread the horizontal brace in or out an appropriate amount and reinstall the vertical brace.

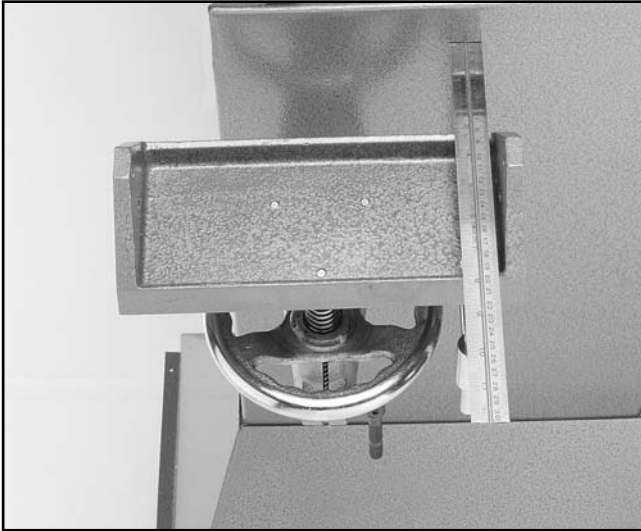


Figure 8. Checking table bracket for parallelism.

8. Once the table bracket has been properly adjusted, tighten the horizontal brace jam nut and the two Hex Nuts that hold the vertical brace in place.
9. Attach the table trunnions to the table bracket. Each is held in place with a $\frac{3}{8}$ " Flat Washer and lock handle. **Figure 9.** The trunnion with the scale attaches to the left side.



Figure 9. Table trunnions installed.

10. Leaving the table trunnion lock handles slightly loose, bolt the working table to the trunnions using the two $\frac{5}{16}$ "-18 x $\frac{3}{4}$ " Hex Bolts and $\frac{5}{16}$ " Flat Washers supplied. **Figure 10.** Adjust the table so it is approximately $\frac{1}{8}$ " to $\frac{3}{16}$ " from the edge of the sanding platen and tighten the mounting bolts.



Figure 10. Attaching the working table.

11. Adjust the work table 90° to the sanding platen by checking it with a square. Adjust as necessary and tighten the table lock handles. At this point adjust the pointer to 90° . **Figure 11.**

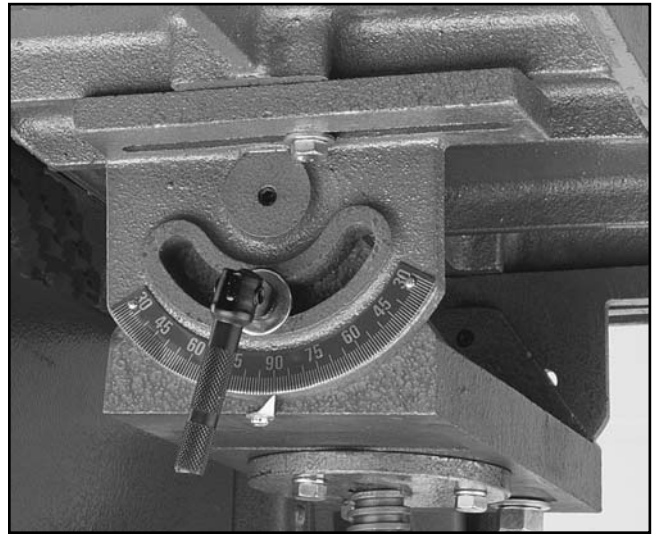


Figure 11. Setting the pointer to 90° .



Miter Body

Set the miter body onto its pivot hole and secure into place with the plastic lock knob provided. **Figure 12.**

NOTE

The miter body should only be used when sanding the ends of workpieces at least 8" long. Do not use it as a back stop.

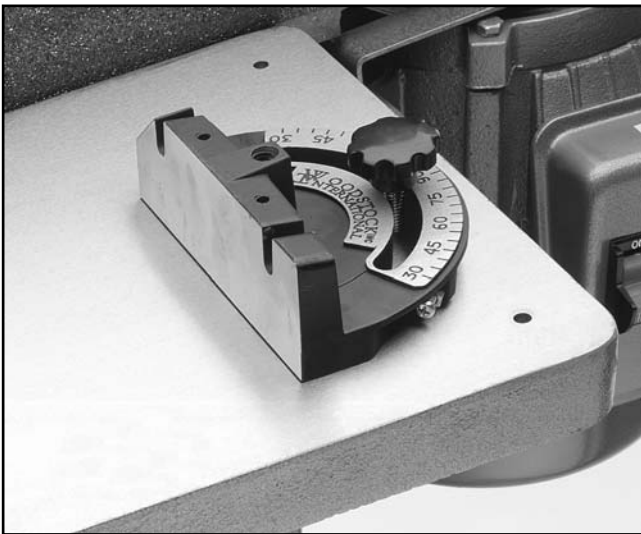


Figure 12. Attaching the miter body.



Quick Release Lever

1. Loosen the belt tracking lock knob located at the top left of the machine.
2. Slide the quick release lever through the slot on the top of the platen cover. Thread it into place until it bottoms out. **Figure 13.** It may be necessary to have an assistant push the idler roller back into the machine to allow the quick release lever to line up with the thread in the yoke.

WARNING

Care must be taken so that the machine is not tipped over during this operation. Serious personal injury may occur.

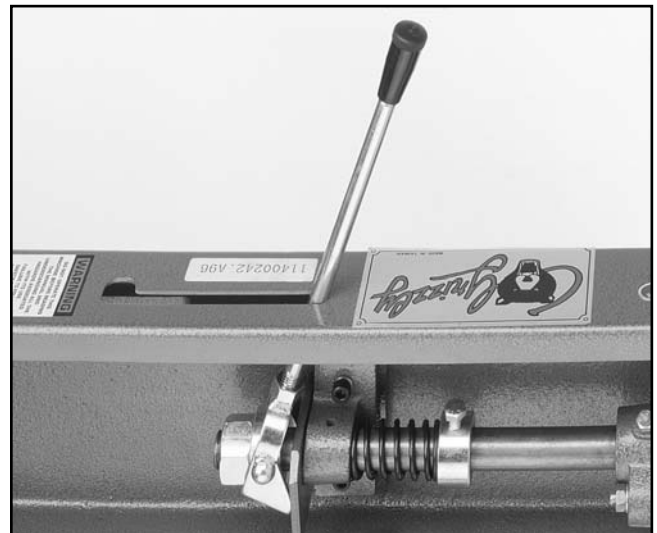


Figure 13. Installing the quick release lever.



Auxiliary Table

Slide the auxiliary table into place as pictured in **Figure 14**. It is not necessary to have the auxiliary table mounted at all times and can be installed only when needed.

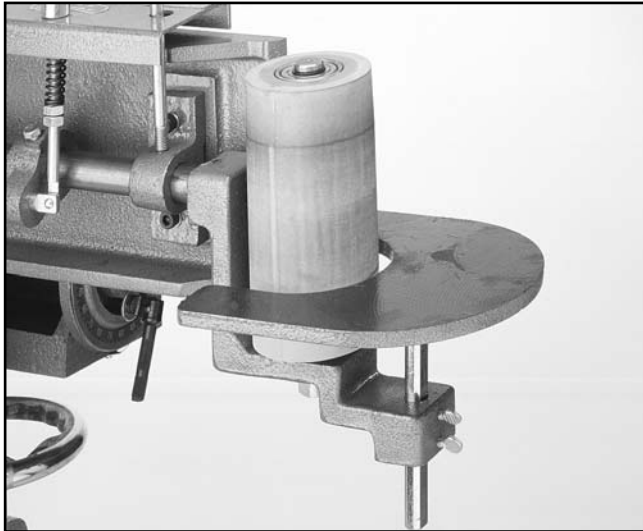


Figure 14. Installing the auxiliary table.



Dust Hood

Bolt the dust hood on using the hex bolts already threaded in place. **Figure 15**.

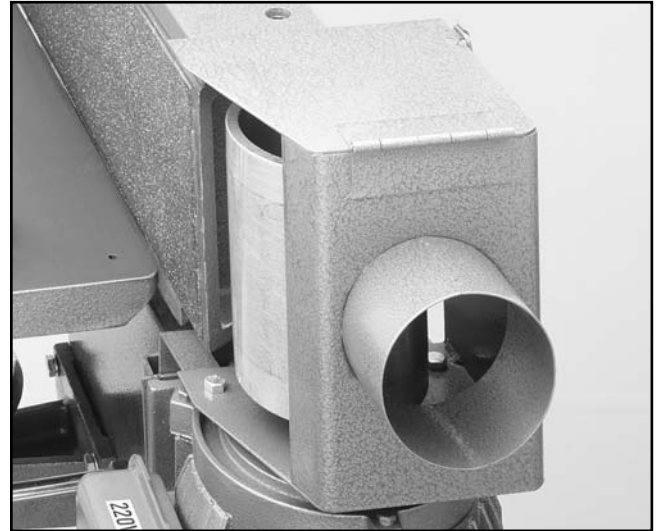


Figure 15. Dust hood mounted in place.



Belt Installation

1. Loosen the belt tracking lock knob on the top left of the machine. Open the lid of the dust port and move the quick release lever to its locked open position. **Figure 16.**



Figure 16. Sander ready for belt installation.

2. Check the back side of the belt for an arrow indicating direction of rotation. The sanding belt rotates counter-clockwise.
3. Slide the belt over the rollers. Move the quick release lever back to its tensioned position. **Figure 17.** Belt tracking is covered in the next section.

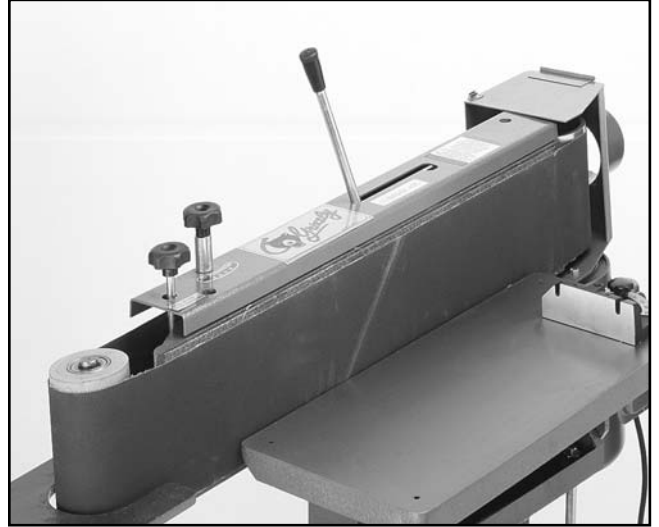


Figure 17. Belt installed.

WARNING

Avoid placing hands close to pinch points. These are located where the sanding belt meets the rollers and along the inside edge of each work table. Serious personal injury may occur.



SECTION 3: ADJUSTMENTS

Belt Tracking

1. Carefully move the belt left to right by hand and adjust the tracking knob as necessary to achieve proper tracking. **Figure 18.**
2. Before beginning this step, read the **Safety Rules** on page 17 and **Test Run** on page 18. Connect to power and turn the machine on and off quickly. If the belt appears to track OK turn the machine on and fine tune the tracking. Tighten the tracking lock knob.

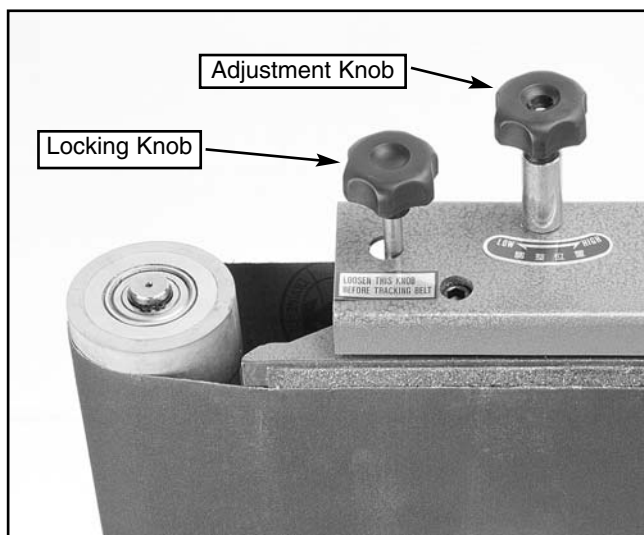


Figure 18. Belt tracking adjustment knobs.



Auxiliary Table

Loosen the thumb screws, position the auxiliary table, re-tighten the thumb screws. **Figure 19.** Note that the ends of the roller are tapered. This helps keep the belt tracked. When using the end roller for curved sanding, we recommend you use the center portion of the roller to assure proper belt tracking. This also prevents the edge of the workpiece from becoming tapered.

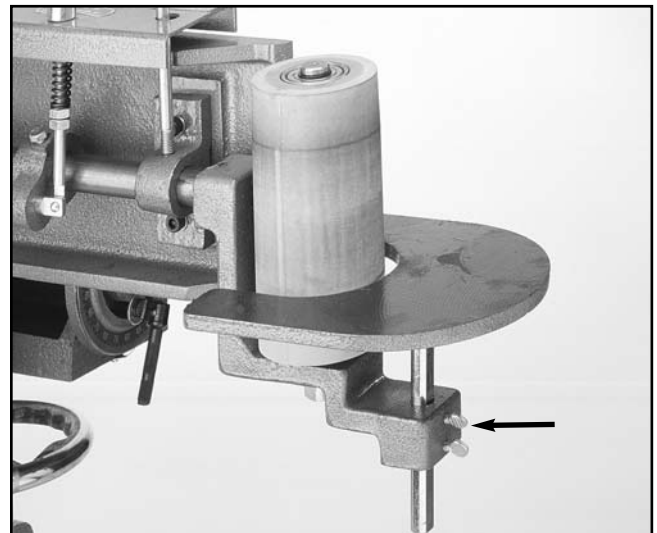


Figure 19. Auxiliary table positioning.



Table Tilt

1. Loosen the lock handles, tilt the working table to the desired angle and retighten the lock handles. **Figure 20.**
2. It may be necessary to re-adjust the working table closer to the platen. Not more than a 1/4" gap should exist between the platen and the working table.

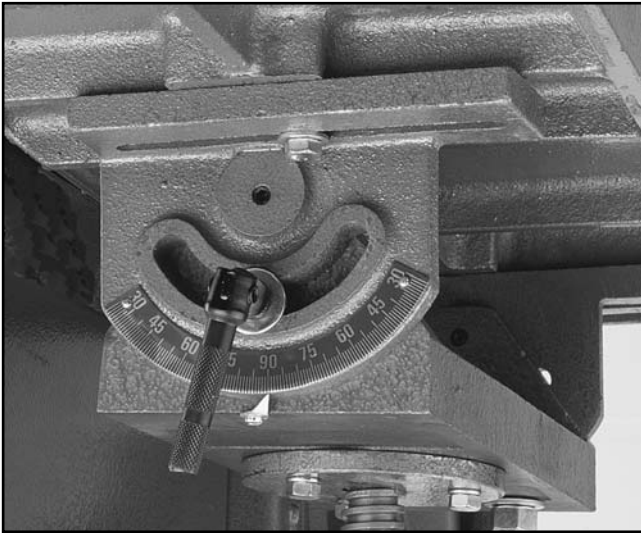


Figure 20. Lock handle underneath the table.



Table Height

1. Loosen lead screw lock handle and stabilizing shaft lock bolt. **Figure 21.**
2. Turn hand wheel and position working table to desired height.
3. Retighten lock handle and lock bolt.

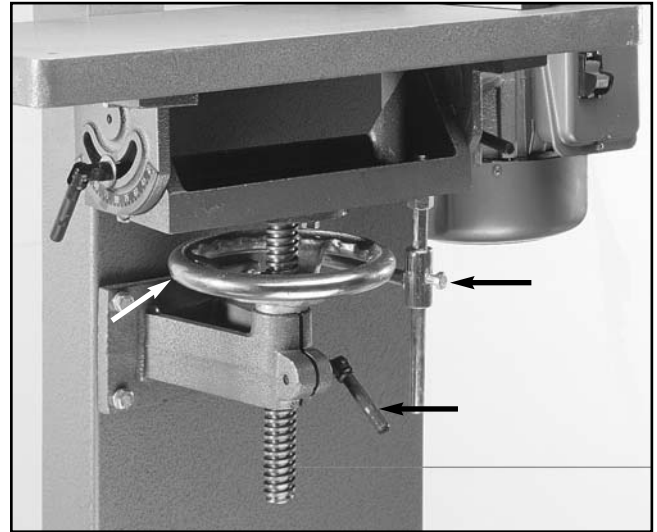


Figure 21. Table height adjustments.



Belt Tension

Belt tension is preset at the factory and usually requires no adjustment. If the need to increase the tension should occur, unthread the retaining nut (arrow) at the end of the idler roller mounting shaft. **Figure 22.** Do not unthread the nut more than 1/2 its length. If tension problems persists, call the service center for further help.

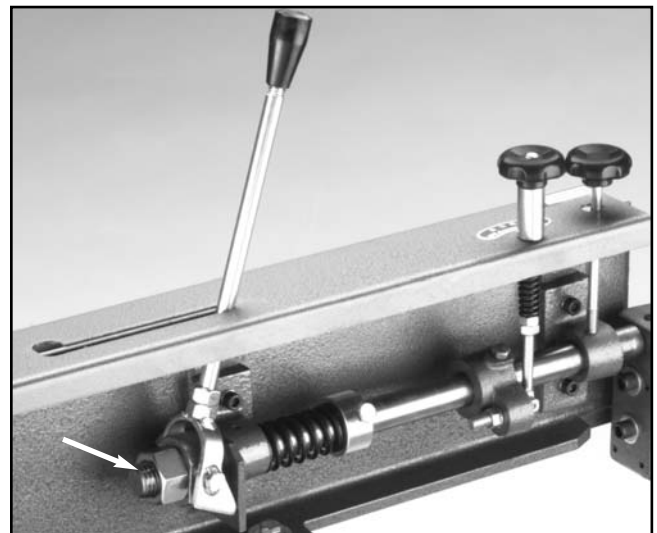


Figure 22. Belt tensioning mechanism.



SECTION 4: OPERATIONS

Edge Sander Safety Rules

WARNING

The Model G1531 is capable of causing severe injury if used in a reckless manner. Please follow the previously-mentioned safety rules for all tools, as well as these safety guidelines for edge sanders:

1. Observe all electrical requirements such as fuse sizing, wire sizing, grounding and any other electrical consideration.
2. Ensure that all guards are in place and that the edge sander is placed on a flat, stable surface.
3. Always wear eye protection when operating an edge sander. Use a respirator to avoid inhaling dust. All safety equipment should be ANSI approved.
4. Always observe the condition of the materials you are sanding. Pay particular attention to knots, splits and other potentially dangerous conditions.
5. Never operate the sander with a damaged sanding belt.
6. Maintain your sander in proper working condition. Perform routine inspections and maintenance promptly when called for. Put away adjustment tools after use.
7. Make sure your edge sander is turned off, disconnected from its power source and all moving parts have come to a complete stop before starting any inspection, adjustment, or maintenance procedures.
8. Compound sanding should always be fully supported.
9. Always support round stock in a V-block.
10. Stand in front of the machine at all times.
11. Allow the sanding belt to gain its full speed before beginning sanding.
12. Shut off the power immediately after a belt breaks, and remove belt only after the sander comes to a complete stop.
13. Do not leave sander running unattended for any reason.
14. Make sure that there is plenty of infeed and outfeed clearance when sanding long or wide stock.
15. Do not stop sander by putting a piece of wood against the sanding belt. Serious injury may occur.
16. Never pick out pieces of wood scraps, splinters etc from the gap between the sanding belt and table while the sander is running.
17. Discourage visitors, particularly children, from your work area while you are working. If visitors must be in your shop while you work, make sure that they are provided with ANSI-approved eye and ear protection.

Remember that every shop has its own specific hazards. Be sure, above all else, to use good common sense and reasonable caution each time you start this sander, or any woodworking machinery. Proper safety standards rarely take any more time or energy when followed religiously. Develop a habit of safety.

WARNING

Always wear ANSI-approved safety glasses or goggles and hearing protection when operating equipment — particularly when testing new tools or machinery. Do not allow visitors into your workshop when testing or operating equipment unless they are also properly protected. Serious personal injury may occur.

Test Run

Once the assembly is complete and the adjustments are done to your satisfaction, you are ready to test the machine.

Turn on the power supply at the main panel. Press the START button. Make sure that your finger is poised on the STOP button, just in case there's a problem. The edge sander should run smoothly, with little or no vibration or rubbing noises. Strange or unnatural noises should be investigated and corrected before operating the machine further.

WARNING

DO NOT attempt to investigate or adjust the machine while it is running. Wait until the machine is turned off, unplugged and all working parts have come to a rest before you do anything. Serious personal injury may occur.

If unusual noises occur that cannot be found by visual inspection, feel free to contact our service department for help.

If the sander runs smoothly, try sanding a piece of lumber. If a problem exists, stop the machine and review all the adjustments. Call for assistance, if needed.



Edge & End Sanding

Figure 23 depicts a typical edge sanding process.



Figure 23. Edge sanding process.

Figure 24 depicts a typical method for sanding the end of a workpiece.

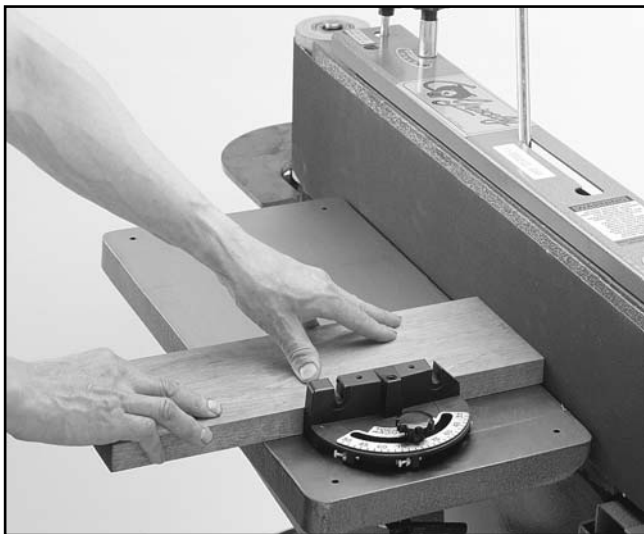


Figure 24. Sanding the end of a piece.



Contour Sanding

When contour sanding, adjust the auxiliary table up or down so the workpiece is roughly centered on the roller. Move the workpiece over the roller to achieve your desired profile. **Figure 25.**

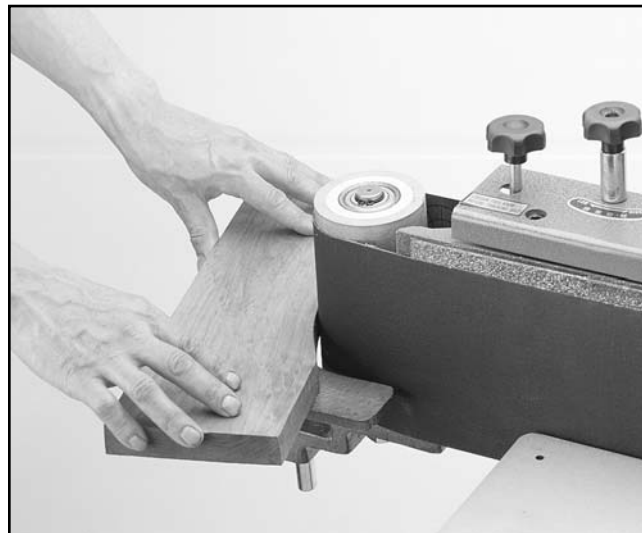


Figure 25. Contour sanding on auxiliary table.



SECTION 5: MAINTENANCE

General

WARNING

Before performing any type of inspection or maintenance work, be sure that the power cord is unplugged and all moving parts have come to a complete stop. Serious personal injury may occur.

Make a habit of inspecting your sander each time you use it. Check for the following conditions and repair or replace when necessary.

1. Loose mounting bolts.
2. Worn switch.
3. Worn or damaged cords and plugs.
4. Damaged sanding belt.
5. Any other condition that could hamper the safe operation of this machine.



Lubrication

Shielded and pre-lubricated ball bearings require no lubrication for the life of the bearings. In a continuous-use environment, expect the bearings to last for several years. With intermittent use, bearings can be expected to last much longer. All bearings are standard sizes and can be easily replaced.



Table

The table and other non-painted surfaces on the Model G1531 should be protected against rust and pitting. Wiping the sander clean after every use ensures that moisture from sander dust isn't allowed to trap moisture against bare metal surfaces.

Some woodworkers recommend using automotive paste wax on exposed steel and cast iron surfaces. The wax provides a layer of protection, as well as reducing friction between lumber and the table, making cuts faster and smoother. Avoid waxes that contain silicone or other synthetic ingredients. These materials can find their way into lumber that's being worked, and can make staining and finishing difficult. If you use paste wax, make sure that it's 100% Carnauba wax.



SECTION 6: CLOSURE

The following pages contain general machine data, parts diagram, parts list and Warranty/Return information for your Model G1531 Edge Sander.

If you need parts or help in assembling your machine, or if you need operational information, we encourage you to call the Service Department listed in the Introduction. Our trained service technicians will be glad to help you.

If you have comments dealing specifically with this manual, please write to our Bellingham, Washington location using the address in the Introduction. The specifications, drawings, and photographs illustrated in this manual represent the Model G1531 as supplied when the manual was prepared. However, due to Grizzly's policy of continuous improvement, changes may be made at any time with no obligation on the part of Grizzly. Whenever possible, though, we send manual updates to all owners of a particular tool or machine. Should you receive one, add the new information to this manual and keep it for reference.

We recommend you keep a copy of our current catalog for complete information regarding Grizzly's warranty and return policy. If you need additional technical information relating to this machine, or if you need general assistance or replacement parts, please contact the appropriate regional Service Department listed in the introduction.

Additional information sources are necessary to realize the full potential of this machine. Trade journals, woodworking magazines, and your local library are good places to start.

WARNING

We have included some important safety measures that are essential to this machine's operation. While most safety measures are generally universal, Grizzly reminds you that each workshop is different and safety rules should be considered *as they apply to your specific situation*. Serious personal injury may occur.

WARNING

The Model G1531 was specifically designed for sanding operations. DO NOT MODIFY AND/OR USE THIS SANDER FOR ANY OTHER PURPOSE. Modifications or improper use of this tool will void the warranty. If you are confused about any aspect of this machine, DO NOT use it until you have answered all your questions. Serious personal injury may occur.

WARNING

Like all power tools, there is danger associated with the Model G1531 Edge Sander. Use the tool with respect and caution to lessen the possibility of mechanical damage or operator injury. If normal safety precautions are overlooked or ignored. Serious personal injury may occur.



MACHINE DATA SHEET

Customer Service #: (570) 326-3806 • To Order Call: (800) 523-4777 • Fax #: (800) 438-5901

GRIZZLY MODEL G1531 HEAVY DUTY EDGE SANDER

Design Type..... Bench Model

Overall Dimensions and Specifications:

Table Size22 $\frac{1}{8}$ " x 10 $\frac{1}{2}$ "
Height (With Handle Up)34 $\frac{1}{2}$ "
Length.....45 $\frac{3}{4}$ "
Width.....17 $\frac{1}{2}$ "
Roller Table Dimensions3 $\frac{1}{2}$ " x 7"
Belt Size6" x 80"
Belt Speed1800 FPM
Belt Table Tilt30°, 90°, 150°
Shipping Weight220 lbs.

Construction:

BaseSteel
TableGround Cast Iron
Rubber Idler RollerBall Bearing

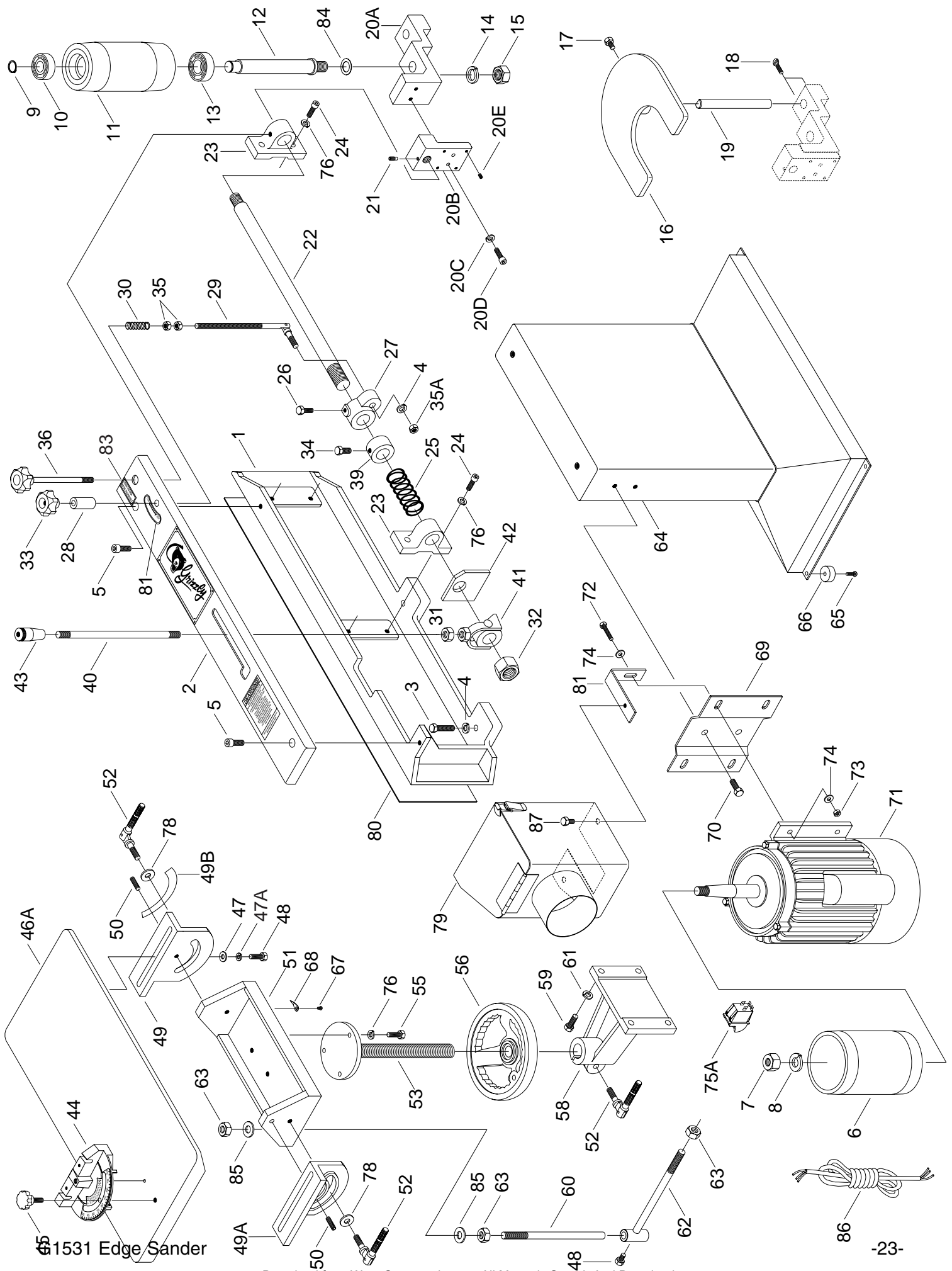
Motor:

Type.....TEFC
Horsepower1 $\frac{1}{2}$ HP
Phase Type / VoltageSingle Phase; 110 / 120V
Amps20/10
Cycle and RPM60 Hertz / 1720 RPM
SwitchToggle Safety Switch
Power TransferDirect Drive
BearingsShielded & Permanently Lubricated Ball

Specifications, while deemed accurate, are not guaranteed.

REVISED 2/99

REF#	PART #	DESCRIPTION	REF#	PART #	DESCRIPTION
1	P1531001	PLATEN	45	P1019016Z	KNOB
2	P1531002	PLATEN COVER	46A	P1531046A	TABLE
3	PB24	HEX BOLT 3/8"-16 x 1 1/4"	47	PLW01	LOCK WASHER 5/16"
4	PLW04	LOCK WASHER 3/8"	47A	PW07	FLAT WASHER 5/16"
5	PSB14	CAP SCREW 3/8"-16 x 1"	48	PB03	HEX BOLT 5/16"-18 x 1"
6	P1531006	DRIVER ROLLER	49	P1531049	TRUNNION, LEFT
7	PN09	HEX NUT 5/8"-18	49A	P1531049A	TRUNNION, RIGHT
8	PLW06	LOCK WASHER 5/8"	49B	P1531049B	ANGLE SCALE
9	PR02	SNAP RING 20mm	50	PSS01	SET SCREW 5/16"-18 x 1"
10	P6204	BEARING 6204-2RS	51	P1531051	SUPPORT BRACKET
11	P1531011	IDLER ROLLER	52	P1531052	LEVER SCREW
12	P1531012	ROLLER AXEL	53	P1531053	LEAD SCREW
13	P6205	BEARING 6205-2RS	55	PB07	HEX BOLT 5/16"-18 x 3/4"
14	PLW06	LOCK WASHER 5/8"	56	P1531056	HAND WHEEL
15	PN04	HEX NUT 5/8"-11	57	P1531052	LEVER SCREW
16	P1531016	AUXILIARY TABLE	58	P1531058	SPLIT CASTING
17	PB03	HEX BOLT 5/16"-18 x 1/2"	59	PB18	HEX BOLT 3/8"-16 x 1"
18	P1140018	THUMB SCREW	60	P1531060	TABLE ADJ. SHAFT
19	P1531019	AUXILIARY TABLE POST	62	P1531062	LEVELING ARM SHAFT
20A	P1531020A	ROLLER SUPPORT	63	PN13	HEX NUT 1/2"-13
20B	P1531020B	ROLLER BLOCK BRACKET	64	P1531064	BASE
20C	PW02	WASHER 3/8"	65	PS08	PHILLIPS® HD SCR 10-24 x 3/4"
20D	PSB26	CAP SCREW 3/8"-16 x 1 1/2"	66	P1531066	FOOT
20E	PSS10	SET SCREW 1/4"-20 x 5/8"	67	PS23	PHILLIPS® HD SCR 8-32 x 1/4"
21	P1531021	SPECIAL SETSCREW 1/4"-20	68	P1531068	POINTER
22	P1531022	BELT ADJUST SHAFT	69	P1531069	MOTOR BRACKET
23	P1531023	ADJUST SHAFT SLIDE	70	PB18	HEX BOLT 3/8"-16 x 1"
24	PSB03	CAP SCREW 5/16"-18 x 1"	71	P1531071	MOTOR
25	P1531025	SPRING	72	PB12	HEX BOLT 5/16"-18 x 1 1/4"
26	PB03	HEX BOLT 5/16"-18 x 1"	73	PN02	HEX NUT 5/16"-18
27	P1531027	ARM CONTROL CASTING	74	PW07	FLAT WASHER 5/16"
28	P1531028	SLEEVE	75A	PSW06	SWITCH
29	P1531029	CONTROL SHAFT	76	PLW01	LOCK WASHER 5/16"
30	P1531030	SPRING	78	PW02	FLAT WASHER 3/8"
31	PN13	HEX NUT 1/2"-13	79	P1531079	DUST HOOD
32	PN18	HEX NUT 1" x 8	80	P1531080	GRAPHITE PAD
33	P1531033	TILT KNOB	81	P1531081	LEFT BRACKET
34	PB03	HEX BOLT 5/16"-18 x 1"	83	P1531083	LABEL
35A	PN08	HEX NUT 3/8"-16	84	P1531084	SPECIAL WASHER
36	P1531036	LOCK KNOB	85	PW01	FLAT WASHER 1/2"
39	P1531039	COLLAR	86	PWRCRD220L	POWER CORD
40	P1531040	LEVER			G1531 Edge Sander
41	P1531041	SWIVEL ASSY			
42	P1531042	PLATE			
43	P1531043	KNOB			
44	P1023201	MITER BODY			



WARRANTY AND RETURNS

Grizzly Industrial, Inc. warrants every product it sells for a period of **1 year** to the original purchaser from the date of purchase. This warranty does not apply to defects due directly or indirectly to misuse, abuse, negligence, accidents, repairs or alterations or lack of maintenance. This is Grizzly's sole written warranty and any and all warranties that may be implied by law, including any merchantability or fitness, for any particular purpose, are hereby limited to the duration of this written warranty. We do not warrant or represent that the merchandise complies with the provisions of any law or acts unless the manufacturer so warrants. In no event shall Grizzly's liability under this warranty exceed the purchase price paid for the product and any legal actions brought against Grizzly shall be tried in the State of Washington, County of Whatcom.

We shall in no event be liable for death, injuries to persons or property or for incidental, contingent, special, or consequential damages arising from the use of our products.

To take advantage of this warranty, contact us by mail or phone and give us all the details. We will then issue you a "Return Number", which must be clearly posted on the outside as well as the inside of the carton. We will not accept any item back without this number. Proof of purchase must accompany the merchandise.

The manufacturers reserve the right to change specifications at any time because they constantly strive to achieve better quality equipment. We make every effort to ensure that our products meet high quality and durability standards and we hope you never need to use this warranty.

Please feel free to write or call us if you have any questions about the machine or the manual.

Thank you again for your business and continued support. We hope to serve you again soon.

WARRANTY CARD

Name _____
Street _____
City _____ State _____ Zip _____
Phone Number _____ E-Mail _____ FAX _____
MODEL # _____ Order # _____

The following information is given on a voluntary basis. It will be used for marketing purposes to help us develop better products and services. Of course, all information is strictly confidential.

- How did you learn about us?
 Advertisement Friend
 Catalog Card Deck
 World Wide Web
 Other _____
- Which of the following magazines do you subscribe to.
 American Woodworker Practical Homeowner
 Cabinetmaker Shop Notes
 Family Handyman Today's Homeowner
 Fine Homebuilding WOOD
 Fine Woodworking Wooden Boat
 Home Handyman Woodshop News
 Journal of Light Construction Woodsmith
 Old House Journal Woodwork
 Popular Mechanics Woodworker
 Popular Science Woodworker's Journal
 Popular Woodworking Workbench
 Other _____
- Which of the following woodworking/remodeling shows do you watch?
 Backyard America The New Yankee Workshop
 Home Time This Old House
 The American Woodworker Woodwright's Shop
 Other _____
- What is your annual household income?
 \$20,000-\$29,999 \$60,000-\$69,999
 \$30,000-\$39,999 \$70,000-\$79,999
 \$40,000-\$49,999 \$80,000-\$89,999
 \$50,000-\$59,999 \$90,000 +
- What is your age group?
 20-29 50-59
 30-39 60-69
 40-49 70 +
- How long have you been a woodworker?
 0 - 2 Years 8 - 20 Years
 2 - 8 Years 20+ Years
- How would you rank your woodworking skills?
 Simple Advanced
 Intermediate Master Craftsman
- What stationary woodworking tools do you own? Check all that apply.
 Air Compressor Panel Saw
 Band Saw Planer
 Drill Press Power Feeder
 Drum Sander Radial Arm Saw
 Dust Collector Shaper
 Horizontal Boring Machine Spindle Sander
 Jointer Table Saw
 Lathe Vacuum Veneer Press
 Mortiser Wide Belt Sander
 Other _____
- How many of your woodworking machines are Grizzly? _____
- Which benchtop tools do you own? Check all that apply.
 1" x 42" Belt Sander 6" - 8" Grinder
 5" - 8" Drill Press Mini Lathe
 8" Table Saw 10" - 12" Thickness Planer
 8" - 10" Bandsaw Scroll Saw
 Disc/Belt Sander Spindle/Belt Sander
 Mini Jointer
 Other _____
- How many of the machines checked above are Grizzly? _____
- Which portable/hand held power tools do you own? Check all that apply.
 Belt Sander Orbital Sander
 Biscuit Joiner Palm Sander
 Circular Saw Portable Planer
 Detail Sander Saber Saw
 Drill/Driver Reciprocating Saw
 Miter Saw Router
 Other _____
- What machines/supplies would you like Grizzly Industrial to carry?
 12" Table Saw Radial Arm Saw
 12" Jointer Panel Saw
 Combination Planer/Joiner Brass Hardware
 Paint & Finishing Supplies Lumber
 Contractor's Supplies
 Other _____
- What new accessories would you like Grizzly Industrial to carry?
 Builders Hardware Hand Tools
 Fasteners Wood Components
 Other _____
- What other companies do you purchase your tools and supplies from?

- Do you think your purchase represents good value?
 Yes No
- Would you recommend Grizzly Imports to a friend?
 Yes No
- Would you allow us to use your name as a reference for Grizzly customers in your area? **Note: We never use names more than three times.**
 Yes No
- Comments: _____

FOLD ALONG DOTTED LINE

Place
Stamp
Here



**GRIZZLY INDUSTRIAL, INC.
P.O. BOX 2069
BELLINGHAM, WA 98227-2069**

FOLD ALONG DOTTED LINE

Send a Grizzly Catalog to a friend:

Name _____
Street _____
City _____ State _____ Zip _____

TAPE ALONG EDGES--PLEASE DO NOT STAPLE

Free Manuals Download Website

<http://myh66.com>

<http://usermanuals.us>

<http://www.somanuals.com>

<http://www.4manuals.cc>

<http://www.manual-lib.com>

<http://www.404manual.com>

<http://www.luxmanual.com>

<http://aubethermostatmanual.com>

Golf course search by state

<http://golfingnear.com>

Email search by domain

<http://emailbydomain.com>

Auto manuals search

<http://auto.somanuals.com>

TV manuals search

<http://tv.somanuals.com>