

Grizzly **Industrial, Inc.**®

MODEL G0472/G0473/G0476 SANDBLASTING CABINET OWNER'S MANUAL



COPYRIGHT © OCTOBER, 2005 BY GRIZZLY INDUSTRIAL, INC. REVISED MAY 2006.
**WARNING: NO PORTION OF THIS MANUAL MAY BE REPRODUCED IN ANY SHAPE
OR FORM WITHOUT THE WRITTEN APPROVAL OF GRIZZLY INDUSTRIAL, INC.**
#CR7364 PRINTED IN USA



WARNING!

Some dust created by power sanding, sawing, grinding, drilling, and other construction activities contains chemicals known to the State of California to cause cancer, birth defects or other reproductive harm. Some examples of these chemical are:

- **Lead from lead-based paints.**
- **Crystalline silica from bricks, cement and other masonry products.**
- **Arsenic and chromium from chemically-treated lumber.**

Your risk from these exposures varies, depending on how often you do this type of work. To reduce your exposure to these chemicals: Work in a well ventilated area, and work with approved safety equipment, such as those dust masks that are specially designed to filter out microscopic particles.

Table of Contents

INTRODUCTION	2
Foreword	2
Contact Info.....	2
Machine Data Sheet.....	3
SECTION 1: SAFETY	4
Safety Instructions for Machinery.....	4
Additional Safety Instructions for Sandblasters	6
SECTION 2: SET UP	7
Set Up Safety	7
Items Needed for Set Up	7
Unpacking	7
G0472 Assembly.....	8
G0473 Assembly.....	9
G0476 Assembly.....	10
SECTION 3: OPERATIONS	11
Operation Safety	11
Basic Operation.....	11
Abrasive Options.....	12
Nozzle/Jet Options	12
Notes.....	13
SECTION 4: PARTS	14
Parts Breakdown (G0472).....	14
Parts List (G0472).....	15
Parts Breakdown (G0473).....	16
Parts List (G0473).....	17
Parts Breakdown (G0476).....	18
Parts List (G0476).....	19
WARRANTY AND RETURNS	20

INTRODUCTION

Foreword

We are proud to offer the Model G0472/G0473/G0476 Sandblasters. These machines are a part of a growing Grizzly family of fine wood and metalworking machinery. When used according to the guidelines set forth in this manual, you can expect years of trouble-free, enjoyable operation and proof of Grizzly's commitment to customer satisfaction.

We are pleased to provide this manual with the Model G0472/G0473/G0476. It was written to guide you through assembly, review safety considerations, and cover general operating procedures.

The specifications, drawings, and photographs illustrated in this manual represent the Model G0472/G0473/G0476 as supplied when the manual was prepared. For your convenience, we always keep current Grizzly manuals available on our website at **www.grizzly.com**. Any updates to your machine will be reflected in these manuals as soon as they are complete.

Contact Info

If you have any comments regarding this manual, please write to us at the address below:

Grizzly Industrial, Inc.
c/o Technical Documentation Manager
P.O. Box 2069
Bellingham, WA 98227-2069

We stand behind our machines. If you have any service questions or parts requests, please call or write us at the location listed below.

Grizzly Industrial, Inc.
1203 Lycoming Mall Circle
Muncy, PA 17756
Phone: (570) 546-9663
Fax: (800) 438-5901
E-Mail: techsupport@grizzly.com
Web Site: <http://www.grizzly.com>





MACHINE DATA SHEET

Customer Service #: (570) 546-9663 • To Order Call: (800) 523-4777 • Fax #: (800) 438-5901

MODEL G0472 SANDBLASTING CABINET

Design Type Floor Model

General Specifications:

Width 36"

Height 55"

Depth 22¾"

Operating Air Pressure Range 60-116 PSI

Recommended Air Supply 5-25 CFM

Net Weight 120 lbs

Abrasive Capacity 40 lbs.

Abrasive Type Dry Only

Lighting Type 15 Watt Fluorescent

Load & Unload Access Sides

Power Supply 110VAC w/12VDC Transformer

MODEL G0473 SANDBLASTING CABINET

Design Type Benchtop Model

General Specifications:

Width 24½"

Height 21"

Depth 19½"

Operating Air Pressure Range 60-100 PSI

Recommended Air Supply 5-14 CFM

Net Weight 50 lbs

Abrasive Capacity 10 lbs.

Abrasive Type Dry Only

Lighting Type 15 Watt Fluorescent

Load & Unload Access Sides

Power Supply 110VAC w/12VDC Transformer

MODEL G0476 SANDBLASTING CABINET

Design Type Benchtop Model

General Specifications:

Width 22¾"

Height 19"

Depth 19"

Operating Air Pressure Range 60-100 PSI

Recommended Air Supply 5-14 CFM

Net Weight 50 lbs

Abrasive Capacity 10 lbs.

Abrasive Type Dry Only

Lighting Type 15 Watt Fluorescent

Load & Unload Access Sides

Power Supply 110VAC w/12VDC Transformer

Specifications, while deemed accurate, are not guaranteed.



SECTION 1: SAFETY


WARNING

For Your Own Safety, Read Instruction Manual Before Operating this Machine

The purpose of safety symbols is to attract your attention to possible hazardous conditions. This manual uses a series of symbols and signal words which are intended to convey the level of importance of the safety messages. The progression of symbols is described below. Remember that safety messages by themselves do not eliminate danger and are not a substitute for proper accident prevention measures.

 **DANGER** Indicates an imminently hazardous situation which, if not avoided, WILL result in death or serious injury.

 **WARNING** Indicates a potentially hazardous situation which, if not avoided, COULD result in death or serious injury.

 **CAUTION** Indicates a potentially hazardous situation which, if not avoided, MAY result in minor or moderate injury. It may also be used to alert against unsafe practices.

NOTICE This symbol is used to alert the user to useful information about proper operation of the machine.

WARNING

Safety Instructions for Machinery

- 1. READ THROUGH THE ENTIRE MANUAL BEFORE STARTING MACHINERY.** Machinery presents serious injury hazards to untrained users.
- 2. ALWAYS USE ANSI APPROVED SAFETY GLASSES WHEN OPERATING MACHINERY.** Everyday eyeglasses only have impact resistant lenses, they are NOT safety glasses.
- 3. ALWAYS WEAR AN ANSI APPROVED RESPIRATOR WHEN OPERATING MACHINERY THAT PRODUCES DUST.** Wood dust is a carcinogen and can cause cancer and severe respiratory illnesses.
- 4. ALWAYS USE HEARING PROTECTION WHEN OPERATING MACHINERY.** Machinery noise can cause permanent hearing damage.
- 5. WEAR PROPER APPAREL. DO NOT** wear loose clothing, gloves, neckties, rings, or jewelry which may get caught in moving parts. Wear protective hair covering to contain long hair and wear non-slip footwear.
- 6. NEVER OPERATE MACHINERY WHEN TIRED, OR UNDER THE INFLUENCE OF DRUGS OR ALCOHOL.** Be mentally alert at all times when running machinery.



WARNING

Safety Instructions for Machinery

7. **ONLY ALLOW TRAINED AND PROPERLY SUPERVISED PERSONNEL TO OPERATE MACHINERY.** Make sure operation instructions are safe and clearly understood.
8. **KEEP CHILDREN AND VISITORS AWAY.** Keep all children and visitors a safe distance from the work area.
9. **MAKE WORKSHOP CHILD PROOF.** Use padlocks, master switches, and remove start switch keys.
10. **NEVER LEAVE WHEN MACHINE IS RUNNING.** Turn power **OFF** and allow all moving parts to come to a complete stop before leaving machine unattended.
11. **DO NOT USE IN DANGEROUS ENVIRONMENTS.** DO NOT use machinery in damp, wet locations, or where any flammable or noxious fumes may exist.
12. **KEEP WORK AREA CLEAN AND WELL LIT.** Clutter and dark shadows may cause accidents.
13. **USE A GROUNDED EXTENSION CORD RATED FOR THE MACHINE AMPERAGE.** Undersized cords overheat and lose power. Replace extension cords if they become damaged. DO NOT use extension cords for 220V machinery.
14. **ALWAYS DISCONNECT FROM POWER SOURCE BEFORE SERVICING MACHINERY.** Make sure switch is in OFF position before reconnecting.
15. **MAINTAIN MACHINERY WITH CARE.** Keep blades sharp and clean for best and safest performance. Follow instructions for lubricating and changing accessories.
16. **MAKE SURE GUARDS ARE IN PLACE AND WORK CORRECTLY BEFORE USING MACHINERY.**
17. **REMOVE ADJUSTING KEYS AND WRENCHES.** Make a habit of checking for keys and adjusting wrenches before turning machinery **ON**.
18. **CHECK FOR DAMAGED PARTS BEFORE USING MACHINERY.** Check for binding and alignment of parts, broken parts, part mounting, loose bolts, and any other conditions that may affect machine operation. Repair or replace damaged parts.
19. **USE RECOMMENDED ACCESSORIES.** Refer to the instruction manual for recommended accessories. The use of improper accessories may cause risk of injury.
20. **DO NOT FORCE MACHINERY.** Work at the speed for which the machine or accessory was designed.
21. **SECURE WORKPIECE.** Use clamps or a vise to hold the workpiece when practical. A secured workpiece protects your hands and frees both hands to operate the machine.
22. **DO NOT OVERREACH.** Keep proper footing and balance at all times.
23. **MANY MACHINES WILL EJECT THE WORKPIECE TOWARD THE OPERATOR.** Know and avoid conditions that cause the workpiece to "kickback."
24. **ALWAYS LOCK MOBILE BASES (IF USED) BEFORE OPERATING MACHINERY.**
25. **BE AWARE THAT CERTAIN DUST MAY CAUSE AN ALLERGIC REACTION** in people and animals, especially when exposed to fine dust. Make sure you know what type of dust you will be exposed to and always wear an approved respirator.



WARNING

Additional Safety Instructions for Sandblasters

- 1. CORRECT ABRASIVES.** Never use wet abrasives in this sandblaster, it is designed for dry abrasives only.
- 2. PROTECTING LUNGS.** Make sure that you always use a respirator when using or cleaning the sandblaster.
- 3. LEAVING THE AREA.** Always disconnect air supply when leaving the sandblaster.
- 4. PROTECTING EYES.** Make sure that you always use safety glasses when using or cleaning the sandblaster.
- 5. PROTECTING ENVIRONMENT.** Always close and latch shut the sandblaster doors when not in use.
- 6. WORK AREA SAFETY.** Clean dust collector and filters often, and repair any suction hose leaks immediately.
- 7. MAINTAINING COMPONENTS.** Replace nozzles, hoses, lenses, and gloves when they become worn.
- 8. MAINTAINING MACHINE.** Check cabinet for any leaks, and reseal immediately.
- 9. SAFE SAND BLASTING.** Do not use system over the rated PSI.
- 10. CORRECT LIGHTING.** Do not use a light that uses over 60 watts.
- 11. LOADING & UNLOADING.** Disconnect the air supply before loading or unloading the workpiece from the sandblaster cabinet.
- 12. SAFE MAINTENANCE.** Disconnect air supply and electrical before doing maintenance.
- 13. SAFE SANDBLASTING.** Always secure the door(s) before beginning sandblasting operations.

WARNING

Like all machinery there is potential danger when operating this machine. Accidents are frequently caused by lack of familiarity or failure to pay attention. Use this machine with respect and caution to lessen the possibility of operator injury. If normal safety precautions are overlooked or ignored, serious personal injury may occur.

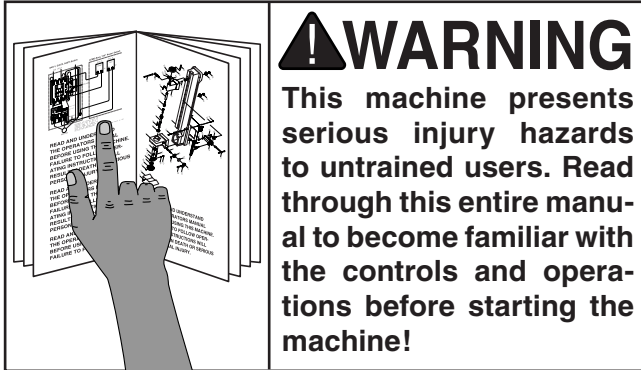
CAUTION

No list of safety guidelines can be complete. Every shop environment is different. Always consider safety first, as it applies to your individual working conditions. Use this and other machinery with caution and respect. Failure to do so could result in serious personal injury, damage to equipment, or poor work results.



SECTION 2: SET UP

Set Up Safety



Items Needed for Set Up

The following items are needed to complete the set up process, but are not included with your machine:

Description	Qty
• Phillips Screwdriver #2.....	1
• Standard Screwdriver #2.....	1
• Wrench 19mm.....	1
• Wrench 14mm.....	1
• Wrench 10mm.....	1
• Wrench 7mm.....	1

Unpacking

The Model G0472/G0473/G0476 was carefully packed when it left our warehouse. If you discover the machine is damaged after you have signed for delivery, *please immediately call Customer Service at (570) 546-9663 for advice.*

Save the containers and all packing materials for possible inspection by the carrier or its agent. *Otherwise, filing a freight claim can be difficult.*



G0472 Assembly

To assemble the sandblaster:

1. Install the four legs onto the stand frame with 12 M6-1x20 screws and nuts (**Figure 1**).

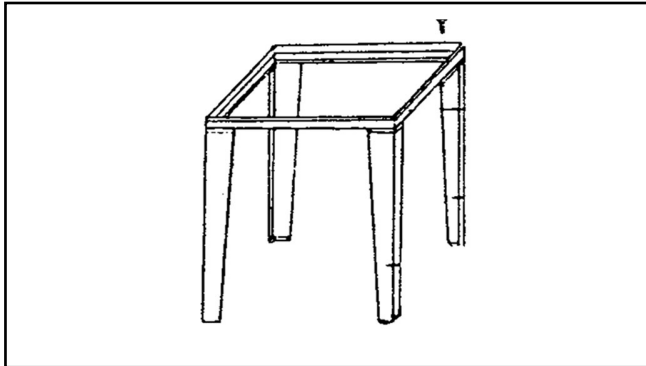


Figure 1. Stand frame.

2. Assemble the hopper assembly, the screen, and the adhesive foam gasket in the order shown (**Figure 2**).

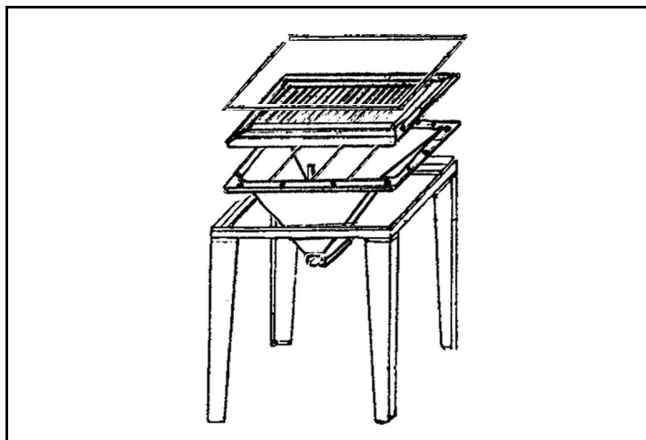


Figure 2. Hopper and screen assembly.

3. Set the cabinet onto the hopper and screen assembly, and secure it with (12) M6-1 x 40 screws and nuts (**Figure 3**).

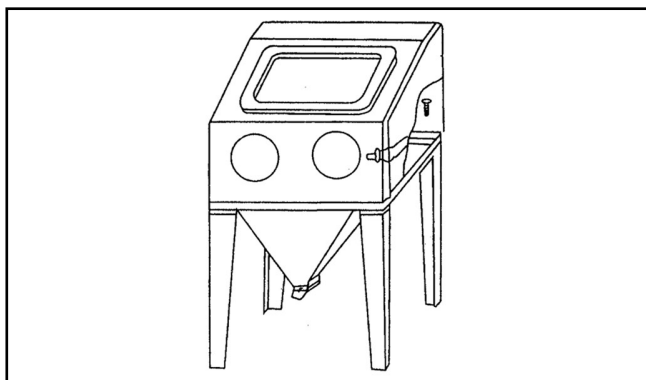


Figure 3. Cabinet and frame.

4. Install the lamp and wiring with the M4-0.7 x 10 screws, washers, and nuts. Use the zip-ties to lock the lamp to the two lamp supports (**Figure 4**).

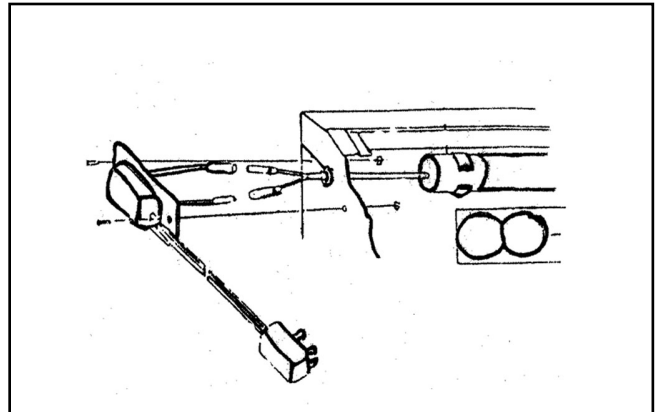


Figure 4. Electrical installation.

5. Insert the air supply hose through the cabinet grommet, and assemble the gun as shown (**Figure 5**).

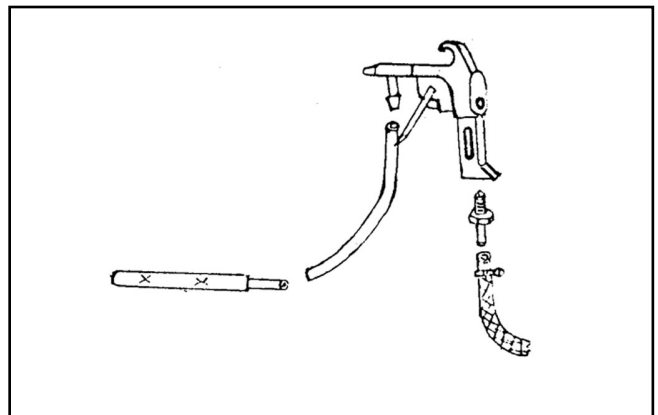


Figure 5. Gun assembly.

G0473 Assembly

To assemble the sandblaster:

1. Install the filter assembly with the screws and nuts (**Figure 1**).

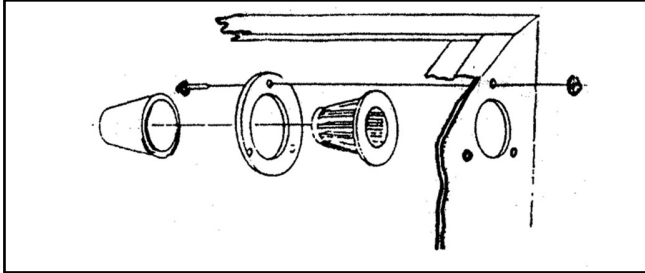


Figure 1. Filter installation.

2. Install the gloves as shown in **Figure 2**.

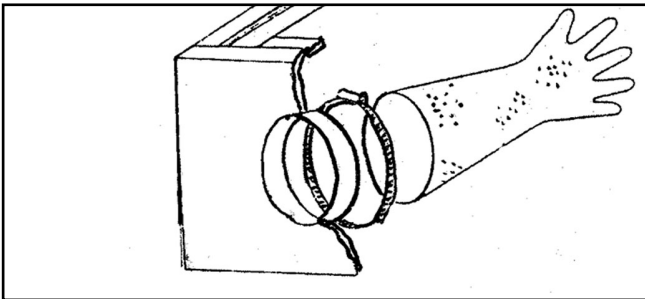


Figure 2. Glove installation.

3. Install the bulkhead fitting with gasket. Attach the air supply hose and suction hose to the bulkhead fittings and suction pipe with hose clamps (**Figure 3**).

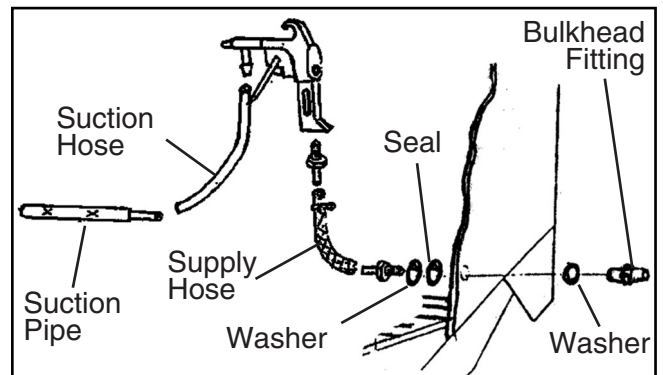


Figure 3. Blast gun assembly.

4. Plug in the AC/DC adapter (**Figure 4**).

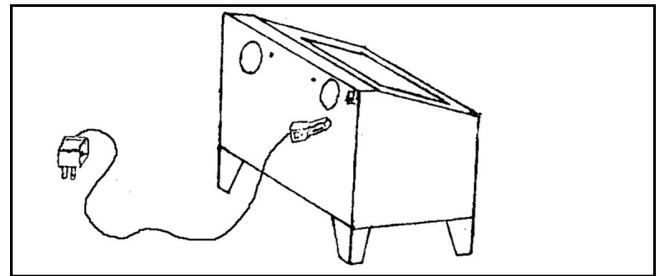


Figure 4. Light assembly.

G0476 Assembly

To assemble the sandblaster:

1. Install the two lamp holders with the two screws (Figure 1).

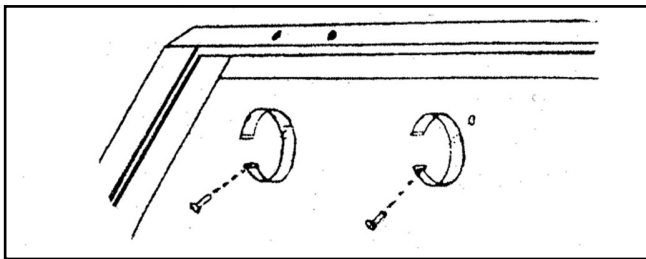


Figure 1. Lamp holder.

2. Connect the electrical wires and install the electrical box with the screws (Figure 2).

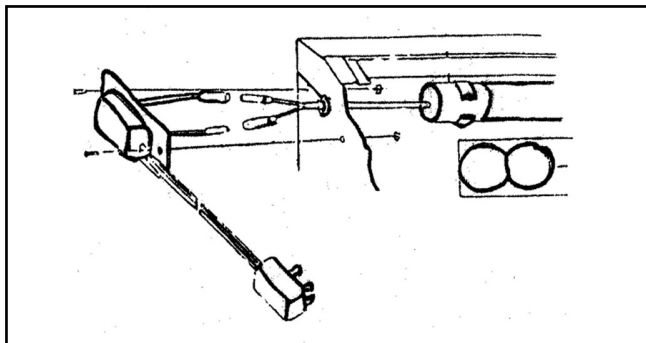


Figure 2. Light assembly.

3. Install the filter assembly with the screws and nuts (Figure 3).

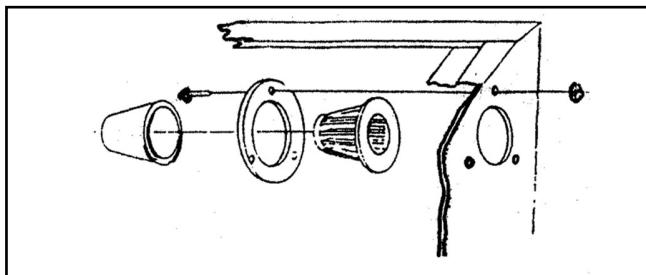


Figure 3. Filter installation.

4. Install the gloves as shown in Figure 4.

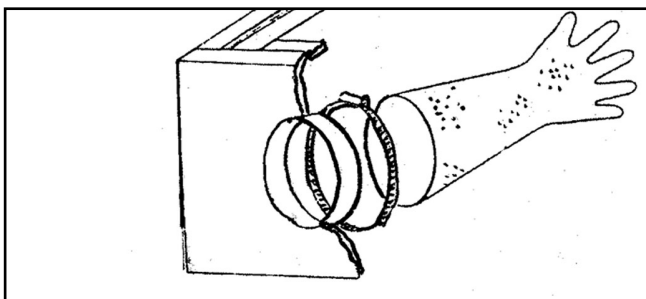


Figure 4. Glove installation.

5. Install window, hinges, lock latches, and the knob (Figure 5).

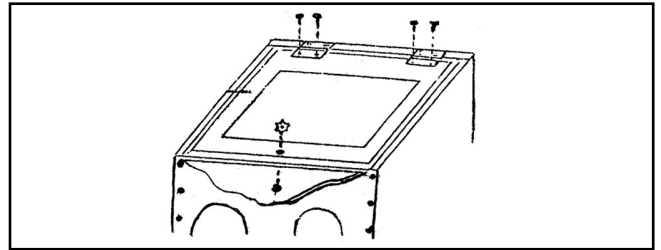


Figure 5. Hinge and knob assembly.

6. Install the chain to the window and cabinet with the screws and nuts (Figure 6).

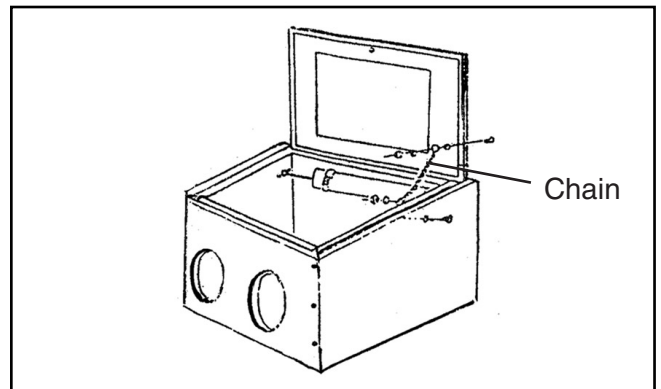


Figure 6. Window chain.

7. Install the bulkhead fitting with gasket. Attach the air supply hose and suction hose to the bulkhead fittings and suction pipe with hose clamps (Figure 7).

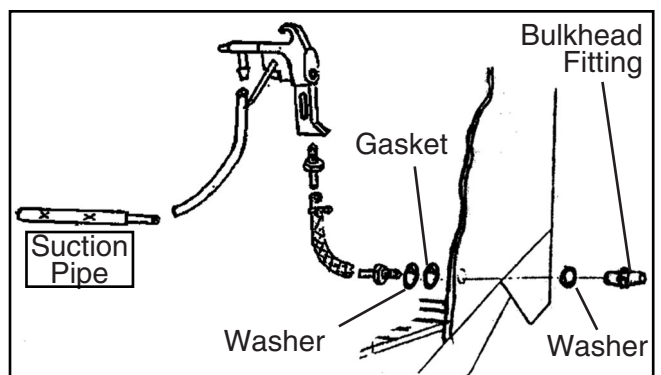


Figure 7. Blast gun assembly.

8. Plug in the AC/DC adapter (Figure 8).

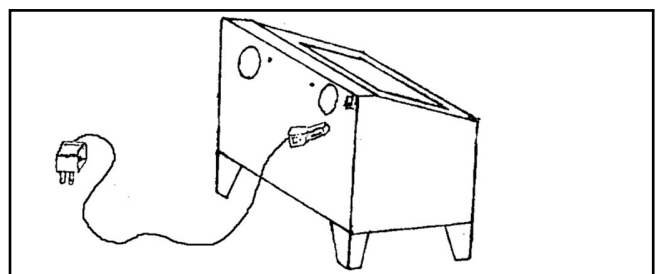


Figure 8. Light assembly.

SECTION 3: OPERATIONS

WARNING

Sandblasting presents a real hazard of silicosis and other lung contamination injuries! These injuries are permanent and can get worse over time. If you use sandblasting equipment without the proper protection, your lungs and eyes may become irreversibly contaminated. **DO NOT** use this sandblaster unless you know how to use it and protect yourself correctly. For types of protective equipment and acceptable respirator types, contact your local OSHA or NIOSH office.

Operation Safety

NOTICE

If you have never used this type of machine or equipment before, **WE STRONGLY RECOMMEND** that you read books, trade magazines, or get formal training before beginning any projects. Regardless of the content in this section, Grizzly Industrial will not be held liable for accidents caused by lack of training.

Basic Operation

The Model G0472/G0473/G0476 Sandblasters are equipped with an industrial-duty blast gun with ceramic tip, a siphon hose, a built-in light, large viewing window, and sealed rubber gloves. The hopper recycles and stores the sandblasting media for reuse or easy removal. Safely blast away paint and rust without making a mess around your shop.

To use the sandblaster:

1. **Wear safety glasses and respirator at all times when running and maintaining your sandblaster!**
2. Plug in the AC/DC transformer and turn **ON** the light.
3. Install the correct nozzle and air jet into the gun for the abrasive type you will use. Refer to **Page 12** for options.

4. Carefully, without causing a hazardous dust cloud, pour or spade-in the abrasive into the sandblaster. **DO NOT** over-fill or sandblasting will be sluggish and very cloudy inside of the cabinet.

–For Model G0472: Use 40 lbs of abrasive.
–For Model G0473: Use 10 lbs of abrasive.
–For Model G0476: Use 10 lbs of abrasive.

5. Insert the workpiece, and close and lock the loading door.

6. Adjust the air supply regulator to the correct air pressure.

–For Model G0472: Use 60-116 PSI at 8-25 CFM.
–For Model G0473: Use 60-100 PSI at 5-14 CFM.
–For Model G0476: Use 60-100 PSI at 5-14 CFM.

7. Turn **ON** your dust collection/vacuum system and air compressor insert your hands in the gloves, and begin sand blasting in a slow circular motion.

Note: A good starting point for tip distance is two inches away from the workpiece. Start out with a low air pressure setting to avoid excess peening and abrasive wear.

Note: Experiment with different pressures, abrasives, tips and jets to gain practical experience.

Note: Keep the sandblasting abrasives moisture-free, otherwise; the blast gun tip will frequently clog.



Abrasive Options

Blasting Media from Grizzly.Com

PART

G6535: 15 lbs. Aluminum Oxide 220 Grit.

G6536: 15 lbs. Aluminum Oxide 120 Grit.

G6537: 15 lbs. Aluminum Oxide 60 Grit.

G6538: 15 lbs. Glass Bead 50-Micron Grit.

Below is a basic introduction to some of the most common blasting abrasives. Refer to magazines, trade articles, professionals, and the abrasive manufacturer for the specific surfaces that can be addressed with a type of abrasive. All abrasives have benefits and drawbacks like quality of surface finish, abrasive life, toxicity, and what precautions you must take to prevent environmental damage or personal injury to your respiratory system.

Steel Type Abrasives

This aggressive abrasive creates a rough finish that accepts paint well. The abrasive is very durable and has a long life, however; it **MUST** be kept very dry to prevent rusting.

Alumina Type Abrasives

This multi-purpose abrasive creates a smoother finish than the steel abrasives, but has a shorter life span. Less of the workpiece surface is removed with this more forgiving abrasive.

Glass and Garnet Type Abrasives

Typically this abrasive works well for soft metals and addressing surface issues with machine parts where tolerances cannot be affected. The life of this abrasive is limited and not well suited for repetitively recycling.

Sand Type Abrasives

This abrasive is easy to find, and gives an average finish that is acceptable for most projects. Sand has a good recycling life and is very economical.

Plastic Type Abrasives

Applied at low pressures of 30 to 50 PSI, plastic abrasives should be harder than the coating being removed, but softer than the workpiece to avoid damage. Plastic abrasive is excellent for addressing surface issues on aluminum, magnesium, copper, brass, thin steel, titanium, and composite surfaces and fiberglass.

Other Types of Abrasives Available

Ground walnut or peanut shells.

Ground corn cob.

Sodium bicarbonate.

Wheat starch.

Nozzle/Jet Options

Replacement Grizzly Nozzles

PART

P7145012: Nozzle Set ($\frac{3}{16}$ ", $\frac{13}{64}$ ", $\frac{15}{64}$ ", $\frac{9}{32}$ " ID).

P7145012-1: #1 Nozzle ($\frac{3}{16}$ " ID).

P7145012-2: #2 Nozzle ($\frac{13}{64}$ " ID).

P7145012-3: #3 Nozzle ($\frac{15}{64}$ " ID).

P7145012-4: #4 Nozzle ($\frac{9}{32}$ " ID).

Below is the suggested air jet and nozzle combination for an approximate abrasive flow. Refer to magazines, trade articles, professionals, and the abrasive manufacturer for the best combination that is required for your particular abrasive use.

#1	Air Jet Orifice Diameter:	$\frac{5}{64}$ "
	Nozzle Orifice Diameter:	$\frac{3}{16}$ "
	Abrasive Flow @ 60 PSI:	0.11 L/Min.
#2	Air Jet Orifice Diameter:	$\frac{7}{64}$ "
	Nozzle Orifice Diameter:	$\frac{13}{64}$ "
	Abrasive Flow @ 60 PSI:	0.18 L/Min.
#3	Air Jet Orifice Diameter:	$\frac{1}{8}$ "
	Nozzle Orifice Diameter:	$\frac{15}{64}$ "
	Abrasive Flow @ 60 PSI:	0.25 L/Min.
#4	Air Jet Orifice Diameter:	$\frac{5}{32}$ "
	Nozzle Orifice Diameter:	$\frac{9}{32}$ "
	Abrasive Flow @ 60 PSI:	0.36 L/Min.

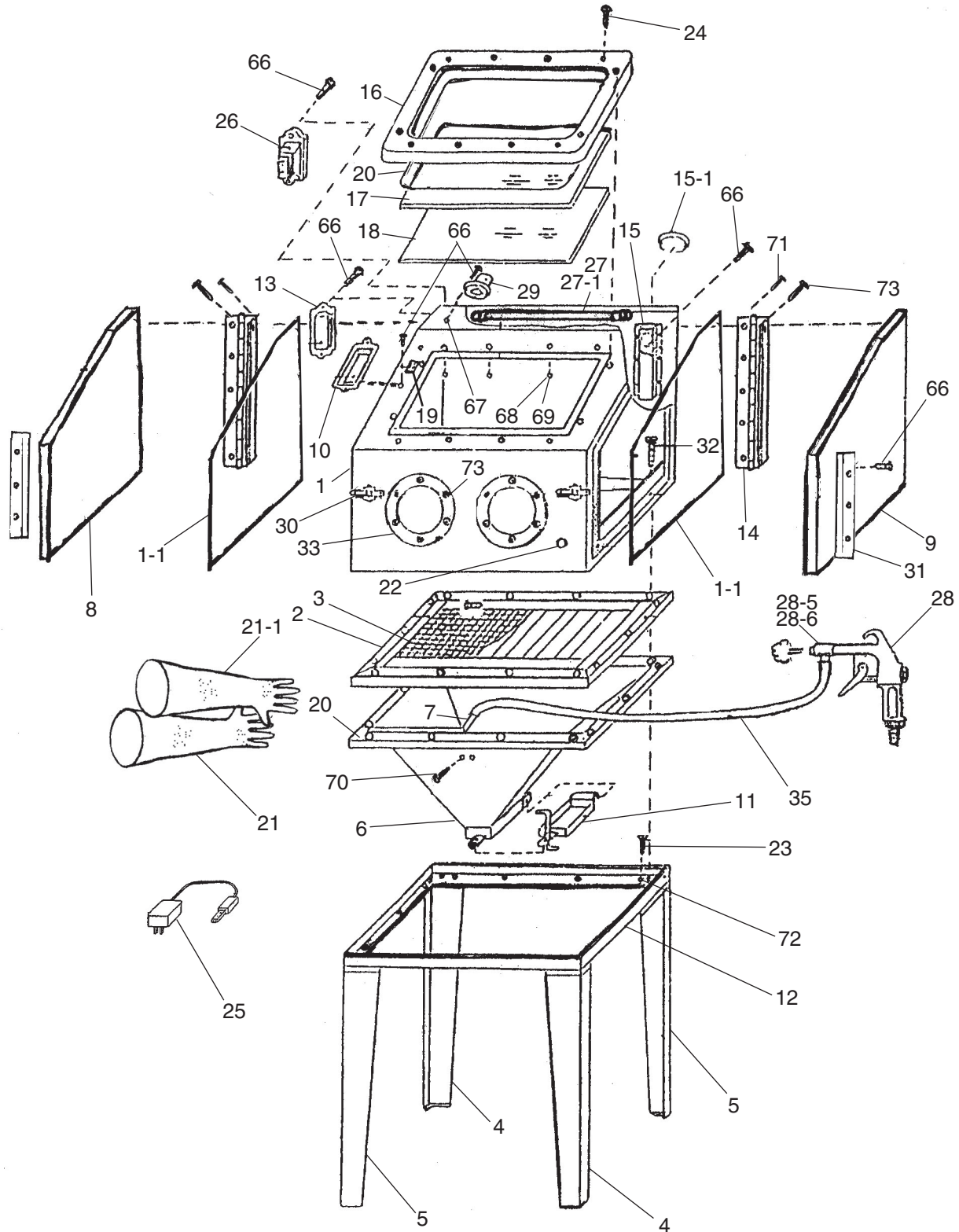


Notes



SECTION 4: PARTS

Parts Breakdown (G0472)



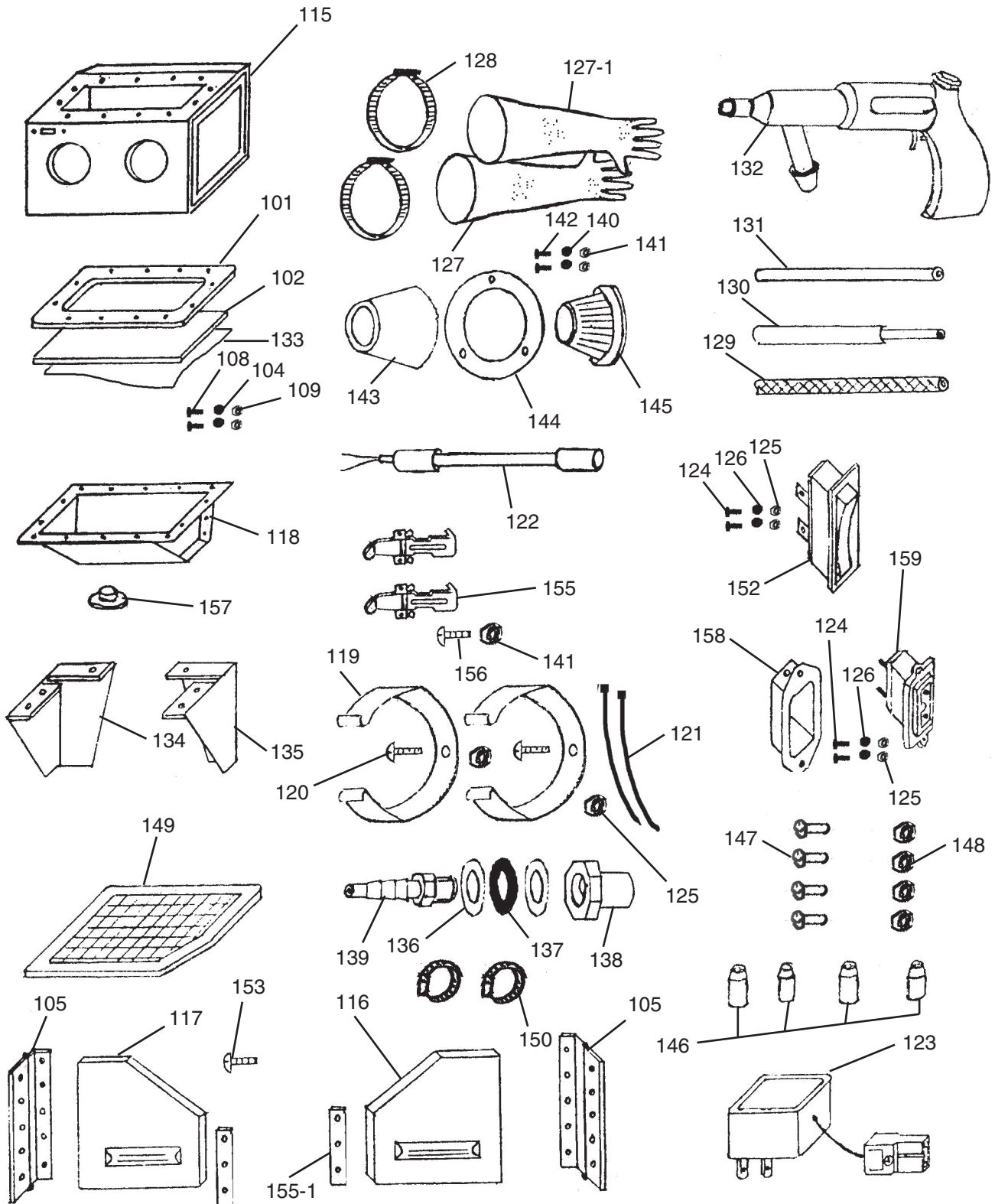
Parts List (G0472)

REF	PART #	DESCRIPTION
1	P0472001	CABINET ASSEMBLY
1-1	P0472001-1	DOOR SEAL
2	P0472002	SCREEN FRAME
3	P0472003	MESH SCREEN
4	P0472004	RIGHT LEG
5	P0472005	LEFT LEG
6	P0472006	HOPPER
7	P0472007	SUCTION PIPE
8	P0472008	LEFT DOOR
9	P0472009	RIGHT DOOR
10	P0472010	SWITCH BOX
11	P0472011	HOPPER DOOR
12	P0472012	FRAME
13	P0472013	SOCKET BOX
14	P0472014	HINGE
15	P0472015	INTAKE VENT COWLING
15-1	P0472015-1	FLANGE CAP 3-1/2
16	P0472016	WINDOW FRAME
17	P0472017	WINDOW PLEXIGLASS
18	P0472018	PROTECTING FILM
18-1	P0472018-1	PROTECTING FILM SET (4)
19	P0472019	POWER SWITCH
20	P0472020	ADHESIVE FOAM STRIP
21	P0472021	GLOVE LEFT
21-1	P0472021-1	GLOVE RIGHT
22	P0472022	GROMMET
23	P0472023	FLAT HD SCR M6-1 X 16

REF	PART #	DESCRIPTION
24	PS22M	PHLP HD SCR M5-.8 X 25
25	P0472025	AC/DC ADAPTER
26	P0472026	RECEPTACLE
27	P0472027	COMPLETE LIGHT ASSY.
23-1	P0472027-1	LIGHT BULB
28	P0472028	BLAST GUN
28-1	P0472028-1	NOZZLE 3/16
28-2	P0472028-2	NOZZLE 13/64
28-3	P0472028-3	NOZZLE 15/64
28-4	P0472028-4	NOZZLE 9/32
28-5	P0472028-5	JET SET
28-6	P0472028-6	NOZZLE SET
29	P0472029	VACUUM PORT
29-1	P0472029-1	FLANGE CAP 2-1/4
30	P0472030	LATCH
31	P0472031	DOOR HOOK
32	PS62M	PHLP HD SCR M6-1 X 30
33	P0472033	GLOVE FLANGE
35	P0472035	SUCTION HOSE
66	PS38M	PHLP HD SCR M4-.7 X 10
67	PN04M	HEX NUT M4-.7
68	PN06M	HEX NUT M5-.8
69	PW01M	FLAT WASHER 8MM
70	PS47M	PHLP HD SCR M6-1 X 25
71	PS68M	PHLP HD SCR M6-1 X 25
72	PN01M	HEX NUT M6-1
73	PHTEK18	TAP SCREW #10 X 5/8



Parts Breakdown (G0473)



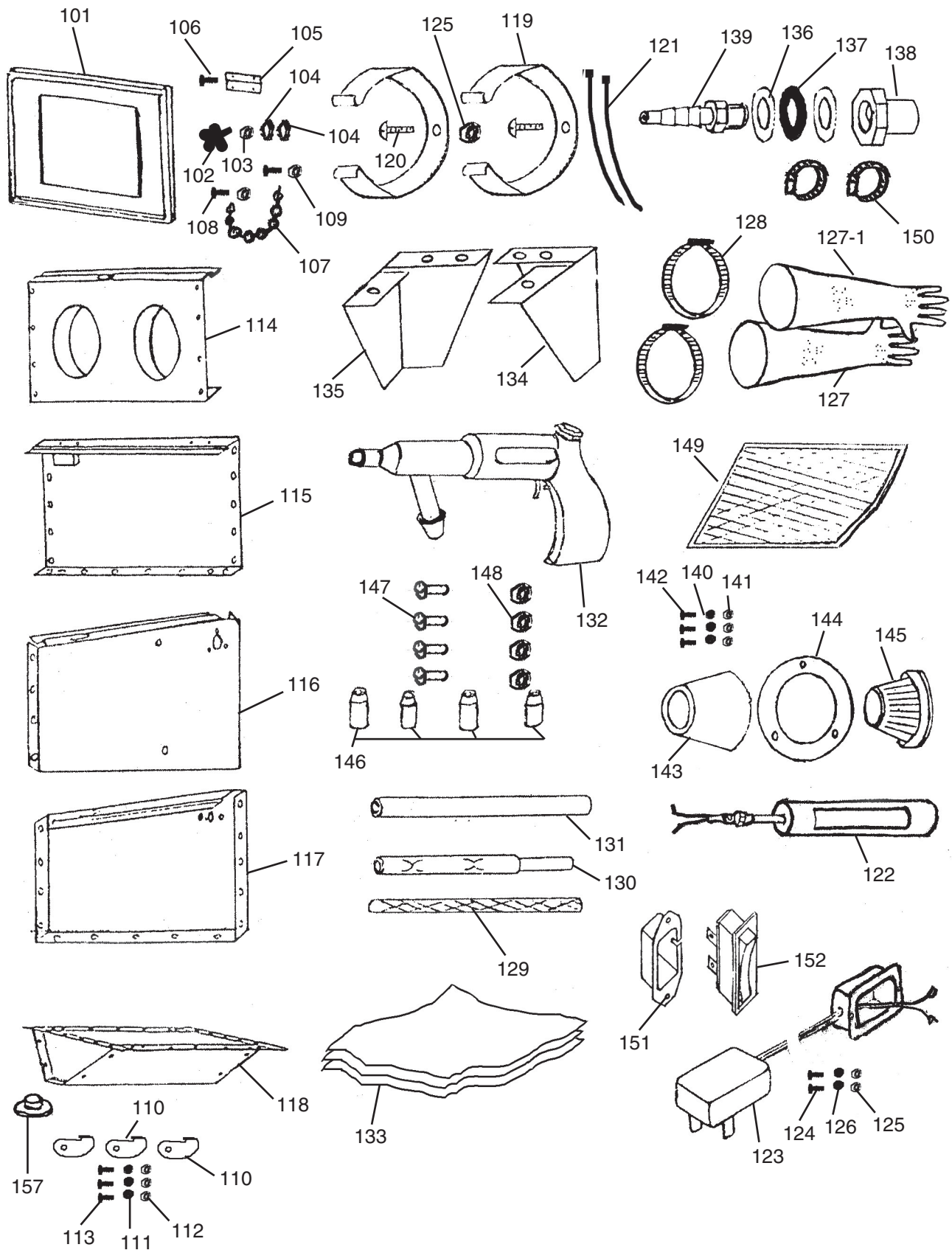
Parts List (G0473)

REF	PART #	DESCRIPTION
101	P0473101	WINDOW FRAME AND SEAL
102	P0473102	WINDOW PLEXIGLASSS
104	PN01M	6MM FLAT WASHER
105	P0473105	HINGE
108	PS14M	PHLP HD SCR M6-1 X 12
109	PN01M	HEX NUT M6-1
115	P0473115	CABINET
116	P0473116	RIGHT DOOR
117	P0473117	LEFT DOOR
118	P0473118	HOPPER
119	P0473119	LAMP CLAMP
120	PS38M	PHLP HD SCR M4-.7 X 10
121	P0473121	ZIP TIE
122	P0473122	COMPLETE LAMP ASSEMBLY
123	P0473123	AC/DC ADAPTER
124	PS38M	PHLP HD SCR M4-.7 X 10
125	PN04M	HEX NUT M4-.7
126	PW05M	FLAT WASHER 4MM
127	P0473127	RIGHT GLOVE
127-1	P0473127-1	LEFT GLOVE
128	P0473128	HOSE CLAMP
129	P0473129	PRESSURE SUPPLY HOSE
130	P0473130	SUCTION TUBE
131	P0473131	SUCTION HOSE
132	P0473132	BLAST GUN
133	P0473133	CLEAR ADHESIVE FILM SET (4)

REF	PART #	DESCRIPTION
134	P0473134	SHORT LEFT LEG
135	P0473135	SHORT RIGHT LEG
136	P0473136	FLAT SPACER
137	P0473137	FLAT GASKET
138	P0473138	BULKHEAD FITTING
139	P0473139	HOSE NIPPLE
140	PW05M	FLAT WASHER 4MM
141	PN04M	HEX NUT M4-.7
142	PS38M	PHLP HD SCR M4-.7 X 10
143	P0473143	FOAM FILTER
144	P0473144	RING
145	P0473145	FILTER ELEMENT
146	P0473146	NOZZLE SET
147	P0473147	JET SET
148	P0473148	JET SEAL SET
149	P0473149	SCREEN
150	P0473150	HOSE CLAMP
152	P0473152	SWITCH
153	PHTEK18	TAP SCREW #10 X 5/8
155	P0473155	LATCH
155-1	P0473155-1	LATCH CATCH
156	PS38M	PHLP HD SCR M4-.7 X 10
157	P0473157	HOPPER PLUG
158	P0473158	RECEPTACLE COVER
159	P0473159	RECEPTACLE



Parts Breakdown (G0476)



Parts List (G0476)

REF	PART #	DESCRIPTION
101	P0476101	WINDOW
102	P0476102	KNOB
103	PN01M	HEX NUT M6-1
104	PN01M	6MM FLAT WASHER
105	P0476105	HINGE
106	PHTEK15M	TAP SCREW M4 X 10
107	P0476107	CHAIN
108	PS14M	PHLP HD SCR M6-1 X 12
109	PN01M	HEX NUT M6-1
110	P0476110	LOCK LEVER
111	PW03M	FLAT WASHER 6MM
112	P0476112	LOCKING HEX NUT M6-1
113	PS14M	PHLP HD SCR M6-1 X 12
114	P0476114	FRONT PANEL
115	P0476115	REAR PANEL
116	P0476116	RIGHT PANEL
117	P0476117	LEFT PANEL
118	P0476118	HOPPER
119	P0476119	LAMP CLAMP
120	PS38M	PHLP HD SCR M4-.7 X 10
121	P0476121	ZIP TIE
122	P0476122	COMPLETE LAMP ASSEMBLY
123	P0476123	AC/DC ADAPTER
124	PS38M	PHLP HD SCR M4-.7 X 10
125	PN04M	HEX NUT M4-.7
126	PW05M	FLAT WASHER 4MM
127	P0476127	RIGHT GLOVE

REF	PART #	DESCRIPTION
127-1	P0476127-1	LEFT GLOVE
128	P0476128	HOSE CLAMP
129	P0476129	PRESSURE SUPPLY HOSE
130	P0476130	SUCTION TUBE
131	P0476131	SUCTION HOSE
132	P0476132	BLAST GUN
133	P0476133	CLEAR ADHESIVE FILM SET (4)
134	P0476134	SHORT LEFT LEG
135	P0476135	SHORT RIGHT LEG
136	P0476136	FLAT SPACER
137	P0476137	FLAT GASKET
138	P0476138	BULKHEAD FITTING
139	P0476139	HOSE NIPPLE
140	PW05M	FLAT WASHER 4MM
141	PN04M	HEX NUT M4-.7
142	PS38M	PHLP HD SCR M4-.7 X 10
143	P0476143	FOAM FILTER
144	P0476144	RING
145	P0476145	FILTER ELEMENT
146	P0476146	NOZZLE SET
147	P0476147	JET SET
148	P0476148	JET SEAL SET
149	P0476149	SCREEN
150	P0476150	HOSE CLAMPS
151	P0476151	SWITCH HOUSING
152	P0476152	SWITCH
157	P0476157	HOPPER PLUG



WARRANTY AND RETURNS

Grizzly Industrial, Inc. warrants every product it sells for a period of **1 year** to the original purchaser from the date of purchase. This warranty does not apply to defects due directly or indirectly to misuse, abuse, negligence, accidents, repairs or alterations or lack of maintenance. This is Grizzly's sole written warranty and any and all warranties that may be implied by law, including any merchantability or fitness, for any particular purpose, are hereby limited to the duration of this written warranty. We do not warrant or represent that the merchandise complies with the provisions of any law or acts unless the manufacturer so warrants. In no event shall Grizzly's liability under this warranty exceed the purchase price paid for the product and any legal actions brought against Grizzly shall be tried in the State of Washington, County of Whatcom.

We shall in no event be liable for death, injuries to persons or property or for incidental, contingent, special, or consequential damages arising from the use of our products.

To take advantage of this warranty, contact us by mail or phone and give us all the details. We will then issue you a "Return Number," which must be clearly posted on the outside as well as the inside of the carton. We will not accept any item back without this number. Proof of purchase must accompany the merchandise.

The manufacturers reserve the right to change specifications at any time because they constantly strive to achieve better quality equipment. We make every effort to ensure that our products meet high quality and durability standards and we hope you never need to use this warranty.

Please feel free to write or call us if you have any questions about the machine or the manual.

Thank you again for your business and continued support. We hope to serve you again soon.





WARRANTY CARD

Name _____
 Street _____
 City _____ State _____ Zip _____
 Phone # _____ Email _____ Invoice # _____
 Model # _____ Order # _____ Serial # _____

The following information is given on a voluntary basis. It will be used for marketing purposes to help us develop better products and services. **Of course, all information is strictly confidential.**

1. How did you learn about us?

Advertisement Friend Catalog
 Card Deck Website Other: _____

2. Which of the following magazines do you subscribe to?

<input type="checkbox"/> Cabinet Maker	<input type="checkbox"/> Popular Mechanics	<input type="checkbox"/> Today's Homeowner
<input type="checkbox"/> Family Handyman	<input type="checkbox"/> Popular Science	<input type="checkbox"/> Wood
<input type="checkbox"/> Hand Loader	<input type="checkbox"/> Popular Woodworking	<input type="checkbox"/> Wooden Boat
<input type="checkbox"/> Handy	<input type="checkbox"/> Practical Homeowner	<input type="checkbox"/> Woodshop News
<input type="checkbox"/> Home Shop Machinist	<input type="checkbox"/> Precision Shooter	<input type="checkbox"/> Woodsmith
<input type="checkbox"/> Journal of Light Cont.	<input type="checkbox"/> Projects in Metal	<input type="checkbox"/> Woodwork
<input type="checkbox"/> Live Steam	<input type="checkbox"/> RC Modeler	<input type="checkbox"/> Woodworker West
<input type="checkbox"/> Model Airplane News	<input type="checkbox"/> Rifle	<input type="checkbox"/> Woodworker's Journal
<input type="checkbox"/> Modeltec	<input type="checkbox"/> Shop Notes	<input type="checkbox"/> Other: _____
<input type="checkbox"/> Old House Journal	<input type="checkbox"/> Shotgun News	

3. What is your annual household income?

\$20,000-\$29,000 \$30,000-\$39,000 \$40,000-\$49,000
 \$50,000-\$59,000 \$60,000-\$69,000 \$70,000+

4. What is your age group?

20-29 30-39 40-49
 50-59 60-69 70+

5. How long have you been a woodworker/metalworker?

0-2 Years 2-8 Years 8-20 Years 20+ Years

6. How many of your machines or tools are Grizzly?

0-2 3-5 6-9 10+

7. Do you think your machine represents a good value?

Yes No

8. Would you recommend Grizzly Industrial to a friend?

Yes No

9. Would you allow us to use your name as a reference for Grizzly customers in your area?

Note: *We never use names more than 3 times.* Yes No

10. Comments: _____

CUT ALONG DOTTED LINE

FOLD ALONG DOTTED LINE



Place
Stamp
Here



GRIZZLY INDUSTRIAL, INC.
P.O. BOX 2069
BELLINGHAM, WA 98227-2069



FOLD ALONG DOTTED LINE

Send a Grizzly Catalog to a friend:

Name _____
Street _____
City _____ State _____ Zip _____

TAPE ALONG EDGES--PLEASE DO NOT STAPLE

Free Manuals Download Website

<http://myh66.com>

<http://usermanuals.us>

<http://www.somanuals.com>

<http://www.4manuals.cc>

<http://www.manual-lib.com>

<http://www.404manual.com>

<http://www.luxmanual.com>

<http://aubethermostatmanual.com>

Golf course search by state

<http://golfingnear.com>

Email search by domain

<http://emailbydomain.com>

Auto manuals search

<http://auto.somanuals.com>

TV manuals search

<http://tv.somanuals.com>