



MODEL T10157 OAK WORKBENCH INSTRUCTIONS

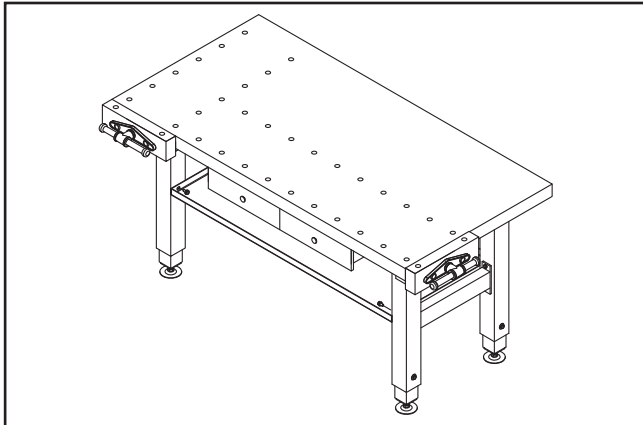


Figure 1. Model T10157 Oak Workbench.

Features

- Solid oak top (1½" thick) with double rows of bench dog holes for each vise.
- Two storage drawers (with ball bearing slides) that are 14" wide x 13¾" long x 2¼" deep.
- Sturdy adjustable steel legs with leveling foot pads.
- Two oak-faced vises with removable top plate and 4" leadscrew travel, 13" wide x 2" thick.
- Four bench dogs.
- All wood surfaces finished with durable lacquer.
- Overall dimensions: 62" wide x 30" in depth x 32"–39" tall.
- Weight: 155 lbs.

Inventory

Use the parts breakdown and listing on **Page 4** to perform an inventory of the shipment.

If any nonproprietary parts are missing (e.g. a bolt or a washer), we will gladly replace them; or for the sake of expediency, replacements can be obtained at your local hardware store.

NOTICE

If you cannot find an item on the inventory parts list, check the mounting location on the workbench or examine the packaging materials carefully. Some items are pre-installed for shipping purposes.

Assembly

Tools Needed	Qty
Phillips Screwdriver #2	1
Wrench or Socket ½"	1

To assemble your workbench:

1. Insert the four M8 x 30 screw anchors into the holes at the ends of the front and back drawer panels for both drawers, as shown in **Figure 2**.

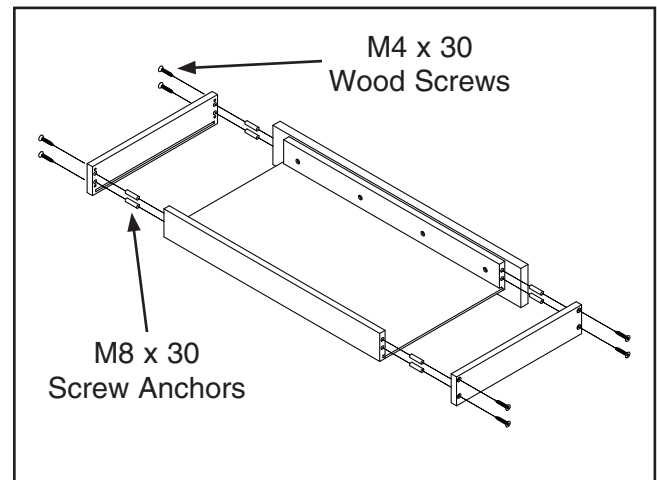


Figure 2. Attaching drawer side panels.

COPYRIGHT © OCTOBER, 2008 BY GRIZZLY INDUSTRIAL, INC.

WARNING: NO PORTION OF THIS MANUAL MAY BE REPRODUCED IN ANY SHAPE OR FORM WITHOUT THE WRITTEN APPROVAL OF GRIZZLY INDUSTRIAL, INC.

#TS11313 PRINTED IN CHINA

- Align the drawer side panels with the drawer sub-assembly, as shown in **Figure 2**, then secure them with the M4 x 30 wood screws.
- Attach the ball bearing drawer slides to tops of the drawer side panels, as shown in **Figure 3**, with the M4 x 13 wood screws.

Note: Make sure the drawer slides properly fit with the pre-installed slides underneath the workbench top, as shown in **Figure 4**.

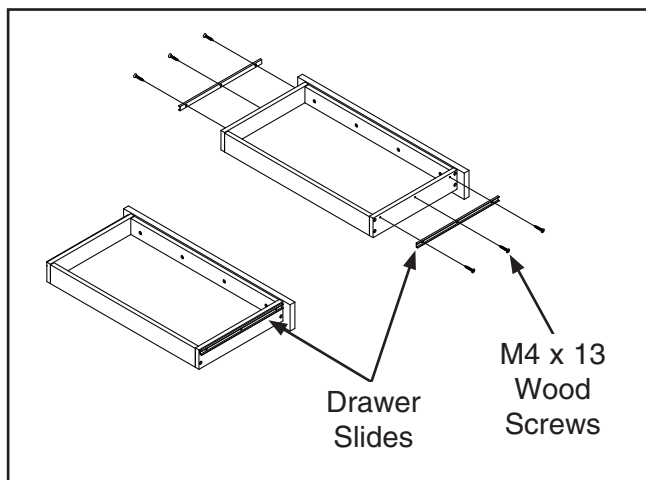


Figure 3. Attaching drawer slides to the drawers.

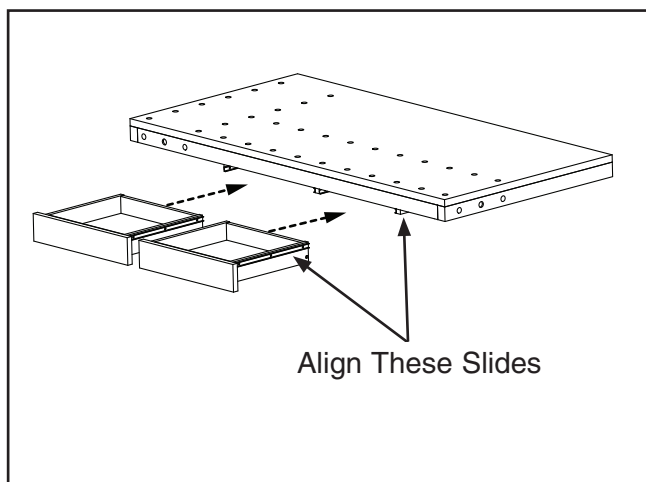


Figure 4. Aligning the drawer slides with the pre-installed slides.

NOTICE

When gluing parts together, wipe off the excess and allow the glue to completely dry before proceeding to avoid inadvertently gluing the wrong parts in subsequent steps.

- Insert the tubes through the rear of the vise leadscrew assemblies and secure them with the $\frac{5}{16}$ "-18 hex nuts and $\frac{5}{16}$ " flat washers, as shown in **Figure 5**.

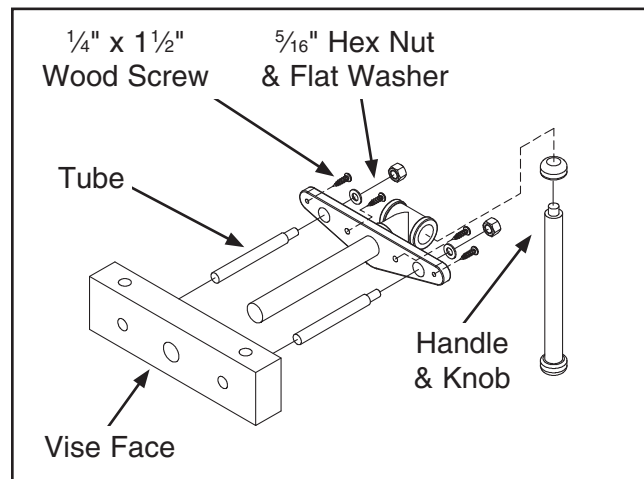


Figure 5. Vise assembly.

- Insert the handles through the ends of the vise leadscrew assemblies (see **Figure 5**) and glue on the knobs to hold them in place.
- Slide the vise leadscrew assemblies into the vise faces and secure them with the $\frac{1}{4}$ " x $1\frac{1}{2}$ " wood screws.
- Position the vise leadscrew plates underneath the table and align their holes with those in the table edges, then secure them in place with the $\frac{1}{4}$ " x $1\frac{1}{2}$ " wood screws, as shown in **Figure 6**.

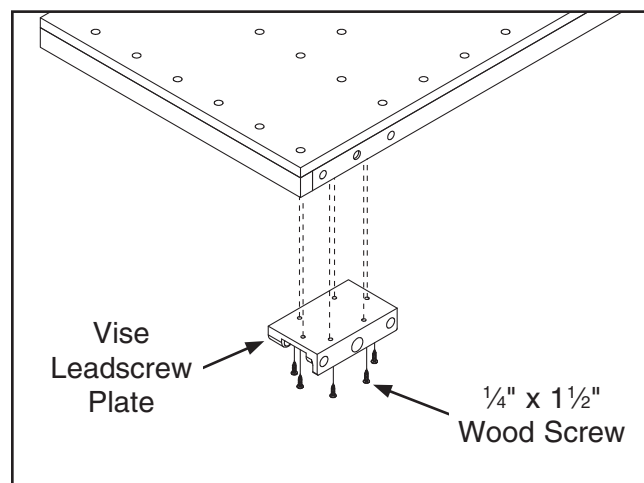


Figure 6. Vise leadscrew plate aligned with the underside of table and holes in the table edge.



8. Insert the vise assemblies through the holes in the table edge and thread the leadscrew into the leadscrew plate.
9. With assistance, turn the workbench top upside down on a flat, protected surface.
10. Slide the lower legs into the upper legs, then secure them together with the $\frac{5}{16}$ "-18 x $\frac{3}{4}$ " hex bolts and flat washers, as shown in **Figure 7**.

Note: Make sure that the completed leg assemblies are all the same length, which will dictate the height of the finished workbench (from 32"–39").

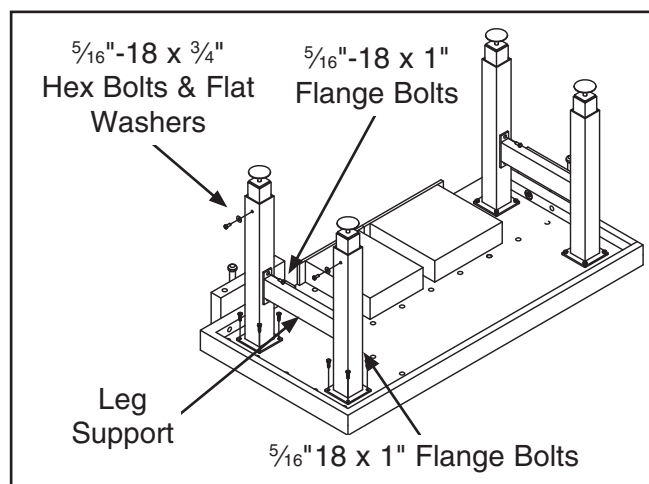


Figure 7. Installing the legs.

11. Attach the leg supports to the leg assemblies with the $\frac{5}{16}$ "-18 x 1" flange bolts, as shown in **Figure 7**, then secure the leg assemblies to the workbench top with the $\frac{5}{16}$ "-18 x 1" flange bolts.
12. With assistance, flip the workbench right side up, then adjust the foot pads to make the top surface level.
13. Attach the bottom shelf to the legs with the $\frac{5}{16}$ "-18 x $\frac{1}{2}$ " flange bolts, as shown in **Figure 8**.

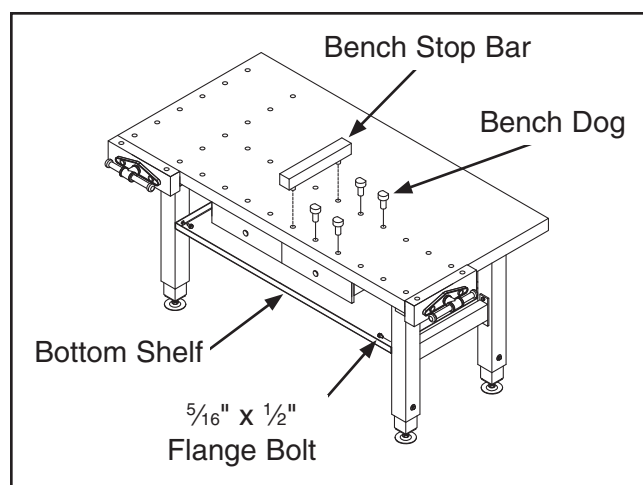
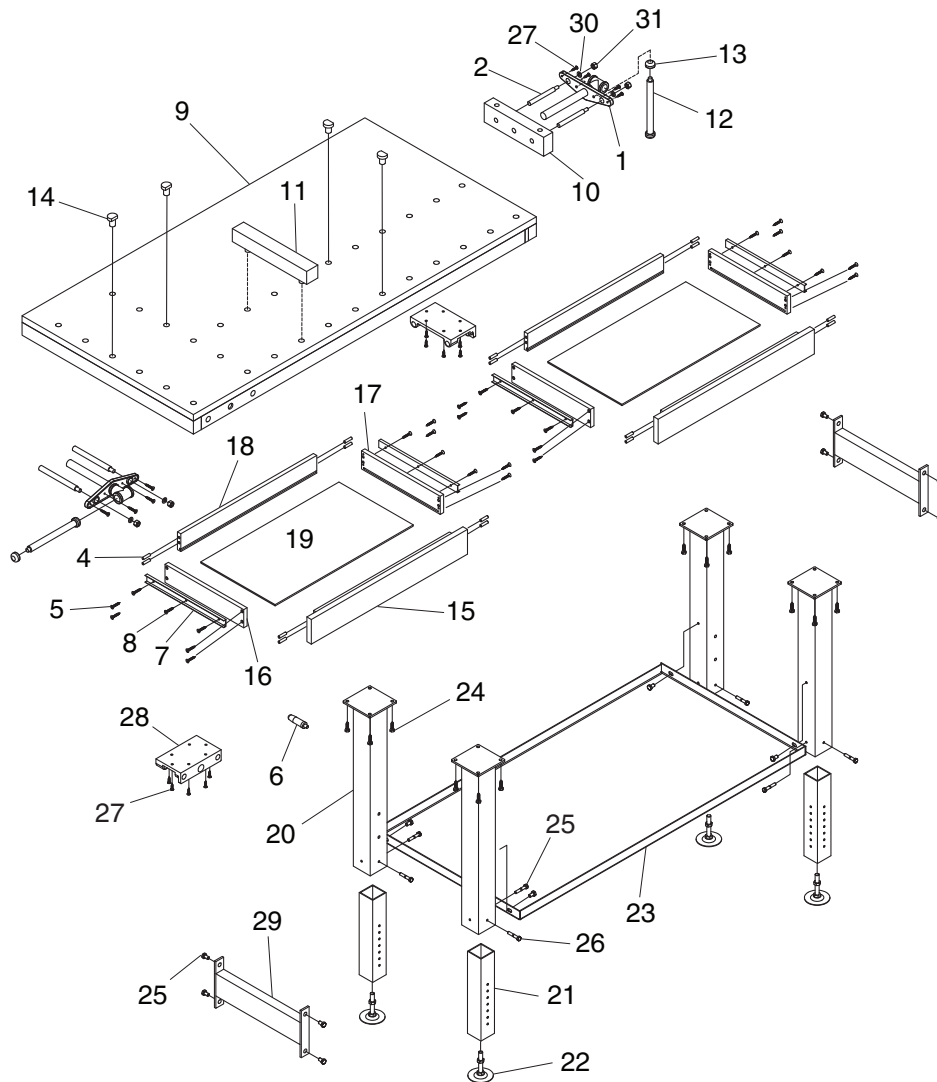


Figure 8. Bottom shelf installed.

14. Insert the bench stop bars and the bench dogs into the workbench top to finish the assembly.

Parts Breakdown and List



REF PART #	DESCRIPTION	QTY	REF PART #	DESCRIPTION	QTY		
1	PT10157001	WISE LEADSCREW ASSEMBLY	2	17	PT10157017	DRAWER PANEL RIGHT	2
2	PT10157002	TUBE	4	18	PT10157018	DRAWER PANEL BACK	2
4	PT10157004	SCREW ANCHOR M8 X 30	16	19	PT10157019	DRAWER PANEL BOTTOM	2
5	PT10157005	WOOD SCREW M4 X 30	16	20	PT10157020	UPPER LEG	4
6	PT10157006	GLUE TUBE	1	21	PT10157021	LOWER LEG	4
7	PT10157007	BALL BEARING DRAWER SLIDE	4	22	PT10157022	FOOT PAD 1/2"-13 X 4"	4
8	PT10157008	WOOD SCREW M4 X 13	12	23	PT10157023	BOTTOM SHELF	1
9	PT10157009	WORKBENCH TOP	1	24	PT10157024	WOOD SCREW 5/16" X 1"	16
10	PT10157010	WISE FACE	2	25	PFB14	FLANGE BOLT 5/16"-18 X 1/2"	12
11	PT10157011	BENCH STOP BAR	1	26	PB07	HEX BOLT 5/16"-18 X 3/4"	8
12	PT10157012	WISE HANDLE	2	27	PWS003	WOOD SCREW 1/4" X 1-1/2"	20
13	PT10157013	WISE HANDLE CAP	2	28	PT10157028	LEADSCREW PLATE	2
14	PT10157014	BENCH DOG	4	29	PT10157029	LEG SUPPORT	2
15	PT10157015	DRAWER PANEL FRONT	2	30	PW07	FLAT WASHER 5/16"	4
16	PT10157016	DRAWER PANEL LEFT	2	31	PN02	HEX NUT 5/16"	4



Free Manuals Download Website

<http://myh66.com>

<http://usermanuals.us>

<http://www.somanuals.com>

<http://www.4manuals.cc>

<http://www.manual-lib.com>

<http://www.404manual.com>

<http://www.luxmanual.com>

<http://aubethermostatmanual.com>

Golf course search by state

<http://golfingnear.com>

Email search by domain

<http://emailbydomain.com>

Auto manuals search

<http://auto.somanuals.com>

TV manuals search

<http://tv.somanuals.com>