

# *Grizzly* *Industrial, Inc.*®

## ROUTER TABLE MODEL H3114 INSTRUCTION MANUAL



COPYRIGHT © DECEMBER 2002 BY GRIZZLY INDUSTRIAL, INC  
**WARNING: NO PORTION OF THIS MANUAL MAY BE REPRODUCED IN ANY SHAPE  
OR FORM WITHOUT THE WRITTEN APPROVAL OF GRIZZLY INDUSTRIAL, INC.**  
PRINTED IN CHINA

#### **ONLINE MANUAL DISCLAIMER**

THE INFORMATION IN THIS MANUAL REPRESENTS THE CONFIGURATION OF THE MACHINE AS IT IS CURRENTLY BEING SHIPPED. THE MACHINE CONFIGURATION CAN CHANGE AS PRODUCT IMPROVEMENTS ARE INCORPORATED. IF YOU OWN AN EARLIER VERSION OF THE MACHINE, THIS MANUAL MAY NOT EXACTLY DEPICT YOUR MACHINE. CONTACT CUSTOMER SERVICE IF YOU HAVE ANY QUESTIONS ABOUT DIFFERENCES. PREVIOUS VERSIONS ARE NOT AVAILABLE ONLINE.

# WARNING

Some dust created by power sanding, sawing, grinding, drilling, and other construction activities contains chemicals known to the State of California to cause cancer, birth defects or other reproductive harm. Some examples of these chemicals are:

- Lead from lead-based paints.
- Crystalline silica from bricks, cement, and other masonry products.
- Arsenic and chromium from chemically treated lumber.

Your risk from these exposures varies, depending on how often you do this type of work. To reduce your exposure to these chemicals: work in a well ventilated area, and work with approved safety equipment, such as those dust masks that are specially designed to filter out microscopic particles.

# TABLE OF CONTENTS

	PAGE
1. <b>SAFETY</b> .....	<b>2</b>
SAFETY INSTRUCTIONS FOR POWER TOOLS.....	2-3
ADDITIONAL SAFETY INSTRUCTIONS FOR ROUTER TABLES .....	4
2. <b>INTRODUCTION</b> .....	<b>5</b>
COMMENTARY.....	5
3. <b>CIRCUIT REQUIREMENTS</b> .....	<b>6</b>
GENERAL .....	6
ELECTRICAL .....	6
4. <b>SET UP</b> .....	<b>7</b>
MAIN FEATURES .....	7
ASSEMBLY .....	8-13
OPERATION .....	14-16
5. <b>REFERENCE INFO</b> .....	<b>17</b>
PARTS BREAKDOWNS AND LIST .....	18-19
WARRANTY AND RETURNS .....	22-24

# SECTION 1: SAFETY

## WARNING

### For Your Own Safety Read Instruction Manual Before Operating This Equipment

The purpose of safety symbols is to attract your attention to possible hazardous conditions. This manual uses a series of symbols and signal words which are intended to convey the level of importance of the safety messages. The progression of symbols is described below. Remember that safety messages by themselves do not eliminate danger and are not a substitute for proper accident prevention measures.



Indicates an imminently hazardous situation which, if not avoided, **WILL** result in death or serious injury.



Indicates a potentially hazardous situation which, if not avoided, **COULD** result in death or serious injury.



Indicates a potentially hazardous situation which, if not avoided, **MAY** result in minor or moderate injury, or **MAY** cause property damage.



This symbol is used to alert the user to useful information about proper operation of the equipment.

## WARNING

### Safety Instructions For Power Tools

- KEEP GUARDS IN PLACE** and in working order.
- REMOVE ADJUSTING KEYS AND WRENCHES.** Form habit of checking to see that keys and adjusting wrenches are removed from tool before turning on.
- KEEP WORK AREA CLEAN.** Cluttered areas and benches invite accidents.
- DO NOT USE IN DANGEROUS ENVIRONMENT.** Do not use power tools in damp or wet locations, or where any flammable or noxious fumes may exist. Keep work area well lighted.
- KEEP CHILDREN AND VISITORS AWAY.** All children and visitors should be kept at a safe distance from work area.
- MAKE WORKSHOP CHILD PROOF** with padlocks, master switches, or by removing starter keys.
- DO NOT FORCE TOOL.** It will do the job better and safer at the rate for which it was designed.
- USE RIGHT TOOL.** Do not force tool or attachment to do a job for which it was not designed.

# WARNING

## Safety Instructions For Power Tools

9. **USE PROPER EXTENSION CORD.** Make sure your extension cord is in good condition. Conductor size must be in accordance with the chart below. The amperage rating is listed on the motor or tool nameplate. An undersized cord will cause a drop in line voltage resulting in loss of power and overheating. Your extension cord must also contain a ground wire and plug pin. Always repair or replace damaged extension cords.

### Minimum Gauge for Extension Cords

AMP RATING	LENGTH		
	25ft	50ft	100ft
0-6	18	16	16
7-10	18	16	14
11-12	16	16	14
13-16	14	12	12
17-20	12	12	10
21-30	10	10	No

10. **WEAR PROPER APPAREL.** Do not wear loose clothing, gloves, neckties, rings, bracelets, or other jewelry which may get caught in moving parts. Non-slip footwear is recommended. Wear protective hair covering to contain long hair.
11. **ALWAYS USE ANSI-APPROVED SAFETY GLASSES.** Also use face or dust mask if cutting operation is dusty. Everyday eyeglasses only have impact resistant lenses, they are NOT safety glasses.
12. **SECURE WORK.** Use clamps or a vise to hold work when practical. It is safer than using your hand and frees both hands to operate tool.
13. **NEVER OVERREACH.** Keep proper footing and balance at all times.

14. **MAINTAIN TOOLS WITH CARE.** Keep tools sharp and clean for best and safest performance. Follow instructions for lubricating and changing accessories.
15. **DISCONNECT TOOLS** before servicing and changing accessories, such as blades, bits, cutters, and any other item.
16. **REDUCE THE RISK OF UNINTENTIONAL STARTING.** Make sure switch is in off position before plugging in. Also, the magnetic switch on this machine may start if the switch gets bumped hard enough.
17. **USE RECOMMENDED ACCESSORIES.** Consult the owner's manual for recommended accessories. The use of improper accessories may cause risk of injury.
18. **CHECK DAMAGED PARTS.** Before further use of the tool, a guard or other part that is damaged should be carefully checked to determine that it will operate properly and perform its intended function. Check for alignment of moving parts, binding of moving parts, breakage of parts, mounting, and any other conditions that may affect its operation. A guard or other part that is damaged must be properly repaired or replaced.
19. **NEVER LEAVE TOOL RUNNING UNATTENDED. TURN POWER OFF.** Do not leave tool until it comes to a complete stop.
20. **NEVER USE UNDER THE INFLUENCE** of alcohol or drugs, or when tired.
21. **IF AT ANY TIME YOU ARE EXPERIENCING DIFFICULTIES** performing the intended operation, stop using the machine! Then contact our service department or ask a qualified expert how the operation should be performed.

# WARNING

## Additional Safety Instructions For Router Tables

1. **HAND POSITIONING.** Never pass your hands directly over, or in front of the cutter. As one hand approaches cutter, move it in an arc motion away from the cutter to the outfeed side and reposition that hand beyond the cutter.
2. **STOCK LENGTH.** Do not shape stock shorter than 12 inches without special fixtures or jigs. Where practical, shape longer stock and cut to size.
3. **BLIND CUT WHENEVER POSSIBLE.** This keeps the cutters on the underside of the workpiece and provides a distance guard for the operator.
4. **TEST ROTATION.** Always rotate the spindle by hand, with the machine unplugged, to test any new setup to ensure proper cutter clearance before starting the machine.
5. **KEEP ANY UNUSED PORTION OF THE CUTTER BELOW THE TABLE SURFACE.**
6. **DEPTH OF CUT.** Never remove too much material in one pass. Several light passes are safer and give a cleaner finish.
7. **SAFETY DEVICES.** The use of push sticks as safety devices in some applications is smart; in others it can be quite dangerous. If the push stick comes in contact with the cutter on the end grain, it can fly out of your hand like a bullet—potentially causing serious injury.

We recommend using some type of fixture, jig, or hold-down device as a safer alternative. Use a guard or other type of protective device at all times.
8. **ALWAYS FEED AGAINST THE ROTATION OF THE CUTTER.**
9. **DO NOT REMOVE THE RETRACTABLE GUARD ON THE FENCE.**
10. **IF AT ANYTIME YOU ARE EXPERIENCING DIFFICULTIES PERFORMING THE INTENDED OPERATION, STOP USING THE ROUTER TABLE!** Then contact our service department or ask a qualified expert how the operation should be performed.
11. **BE AWARE THAT CERTAIN WOODS MAY CAUSE AN ALLERGIC REACTION** in people and animals, especially when exposed to fine dust. Make sure you know what type of wood dust you will be exposed to, the possibility of a allergic reaction and always wear an approved respirator.
12. **NEVER REACH BEHIND THE SPINNING CUTTER.**
13. **READ AND UNDERSTAND THE INSTRUCTION MANUAL SUPPLIED WITH THE ROUTER INSTALLED IN THIS TABLE**
14. **DO NOT REACH UNDER THE ROUTER TABLE WHILE THE ROUTER IS PLUGGED IN OR RUNNING.**

# SECTION 2: INTRODUCTION

## Commentary

We are proud to offer the Grizzly Model H3114 Router Table. The Model H3114 is part of a growing Grizzly family of fine woodworking machinery. When used according to the guidelines set forth in this manual, you can expect years of trouble-free, enjoyable operation and proof of Grizzly's commitment to customer satisfaction.

Features include:

- Over 440 square inches of work surface
- Master power switch controls a router and another accessory such as a shop vac
- Universal clamping system allows the mounting of most brands of routers
- Heavy-duty fence system with dust port
- Pocket jointing fence allows router table to function as a jointer
- Miter gauge
- Various table inserts
- Convenient fence scales allow for precise adjustment
- Retractable safety guard
- Heavy-duty cast aluminum table

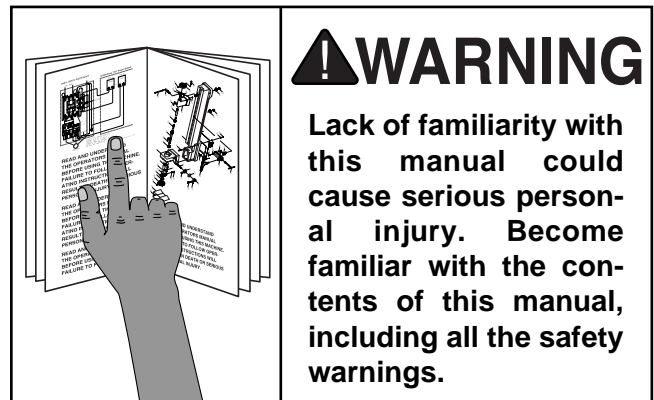
Grizzly is also pleased to provide this manual with the Model H3114. It was written to guide you through assembly, review safety considerations, and cover general operating procedures. If you have any comments regarding this manual, please write to us at the address below:

Grizzly Industrial, Inc.  
c/o Technical Documentation  
P.O. Box 2069  
Bellingham, WA 98227-2069

Most importantly, we stand behind our machines. If you have any service questions or parts requests, please call or write us at the location listed below:

Grizzly Industrial, Inc.  
1203 Lycoming Mall Circle  
Muncy, PA 17756  
Phone: (570) 546-9663  
Fax: (800) 438-5901  
E-Mail: [techsupport@grizzly.com](mailto:techsupport@grizzly.com)  
Web Site: <http://www.grizzly.com>

The specifications, drawings, and photographs illustrated in this manual represent the Model H3114 as supplied when the manual was prepared. However, owing to Grizzly's policy of continuous improvement, changes may be made at any time with no obligation on the part of Grizzly. Current Grizzly machine manuals can be viewed and printed at: [www.grizzly.com](http://www.grizzly.com).



# SECTION 3: CIRCUIT REQUIREMENTS

## General

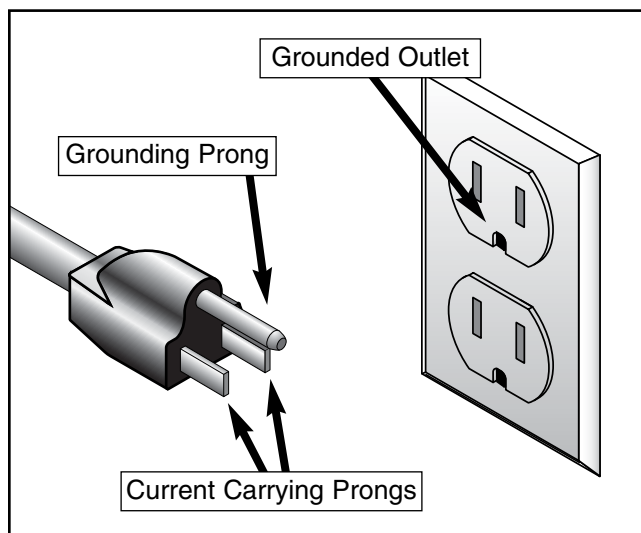
### **⚠️ WARNING**

If the machine is wired incorrectly a fire could result. Make sure your wiring, receptacle, plug, and circuit breaker can handle the current draw of the machine. If you are not sure that your electrical circuit can handle the current draw, get a qualified electrician to test your electrical system and do any required upgrades. Do not attempt to modify an existing circuit by only replacing the circuit breaker with one rated for a higher amperage draw than the wiring, receptacle, and plug are rated for.

The power switch (Page 7, Figure 2) on the Model H3114 is designed to work with most routers and other electrical accessories. The power switch provides the convenience of switching power to the router and accessories at the front of the router table instead of having to reach under the table and locate multiple switches. The power switch also allows multiple devices such as lights or vacuums to be powered on when the router is powered on.

## Electrical

The Model H3114 power switch is designed to accept 2-prong DOUBLE INSULATED plugs or 3-prong grounding type plugs. The power switch plugs into a wall outlet that is properly grounded as shown in Figure 1.



**Figure 1.** Power switch 3-prong plug and grounding style outlet.

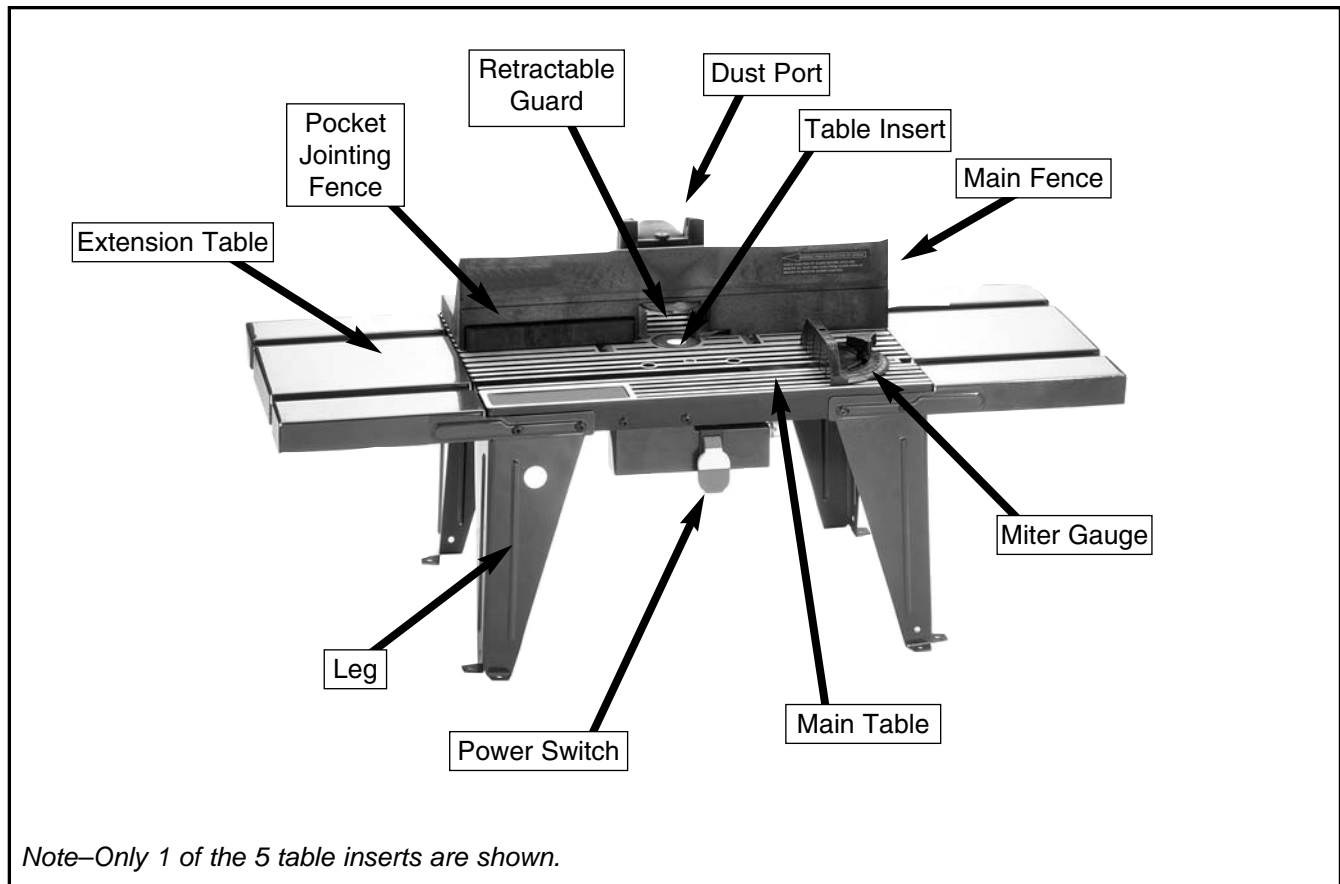




# SECTION 4: SET UP

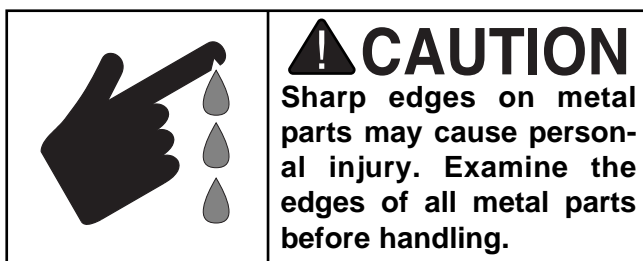
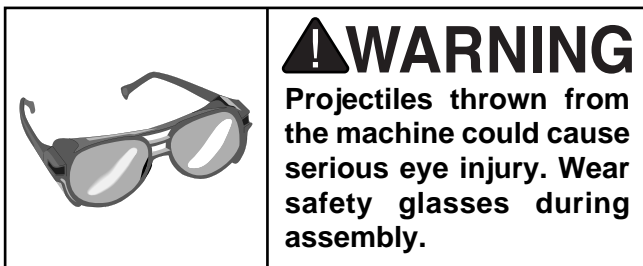
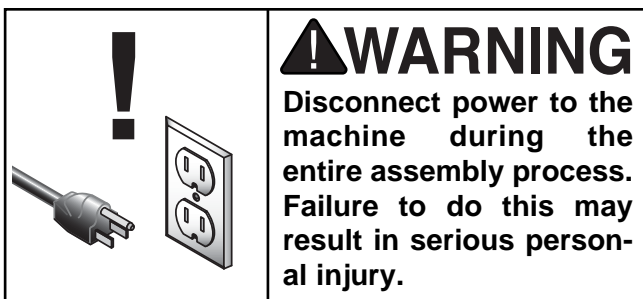
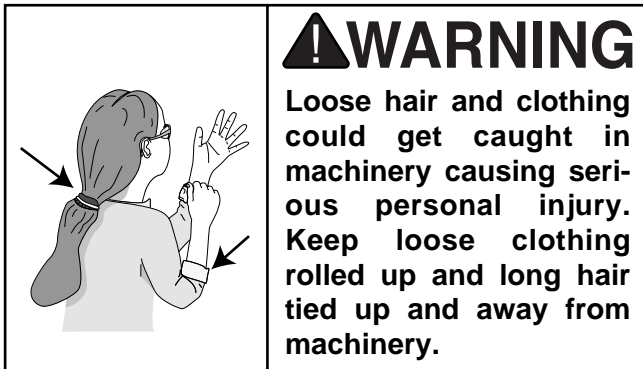
## Main Features

Set up and operation instructions will be easier to understand if you become familiar with the location and names of the basic features shown in **Figure 2**.



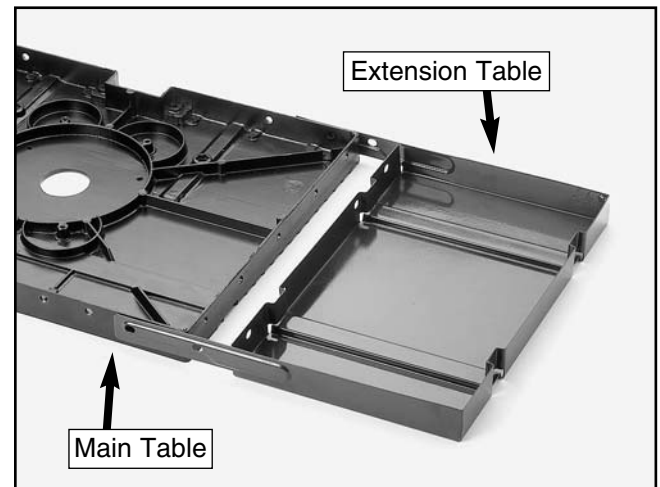
**Figure 2.** Machine features.

# Assembly



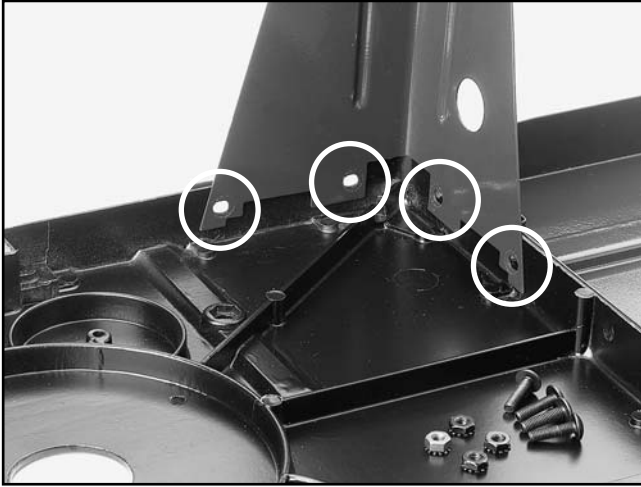
To attach the extension tables and legs to the main table:

1. Place the main table upside down on a workbench.
2. Align the extension tables mounting holes with the mounting holes on the edge of the main table (**Figure 3**). *Note—DO NOT secure the extension tables with screws at this time.*



**Figure 3.** Aligning an extension table with the main table.

3. Align one of the legs with the mounting holes on the inside edge of the main table as shown in **Figure 4**.



**Figure 4.** Aligning a leg with the main table.

4. Secure the leg and extension table to the main table with the supplied #10-32 x 3/4" truss head phillips screws and the #10-32 keps nuts as shown in **Figure 5**.



**Figure 5.** Securing a leg to the main table.

5. Repeat **Steps 3 & 4** for the remaining three legs.

#### To check the flushness of the table:

1. Place a straightedge across both extension tables and the main table. The straightedge should sit flush on all three surfaces as shown in **Figure 6**.



**Figure 6.** Using a straightedge to ensure the working surfaces are flush.

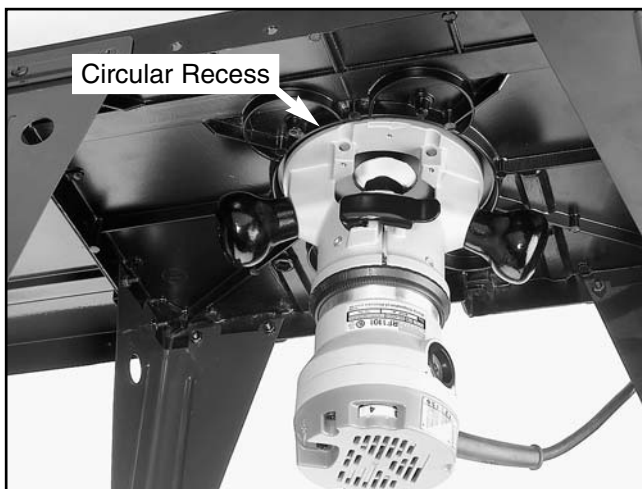
2. If either extension table is not flush with the main table, loosen the mounting screws and adjust the assembly until both extension tables and the main table are flush with one another.
3. Retighten the mounting screws.
4. Double check the the flushness of the working surface with the straightedge.

## To mount the router to the table:

The base plate mounting holes on some brands of routers may align with the router mounting holes on the main table. If the holes line up, continue with **Method 1**. If the holes do not line up, skip ahead to **Method 2**.

### Method 1

1. Remove the base plate from the router base by removing the three base plate screws. *Note—The router base plate is usually a circular black plastic plate that is screwed to the router base.*
2. Turn the router upside down and hold the router base against the circular recess in the underside of the main table as shown in **Figure 7**.

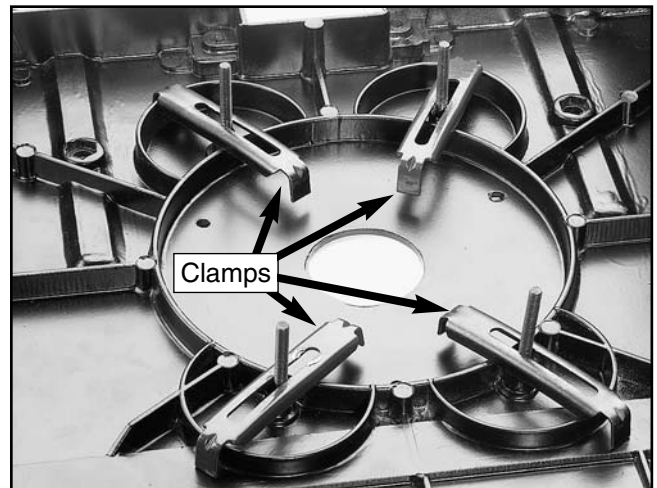


**Figure 7.** Router positioned correctly for "Method 1" installation.

3. Rotate the router until the main table mounting holes align with the mounting holes in the router base. *Note—Orient the router so the adjustment controls are easy to reach.*
4. With the three screws removed in **Step 1**, secure the router to the underside of the main table.

### Method 2

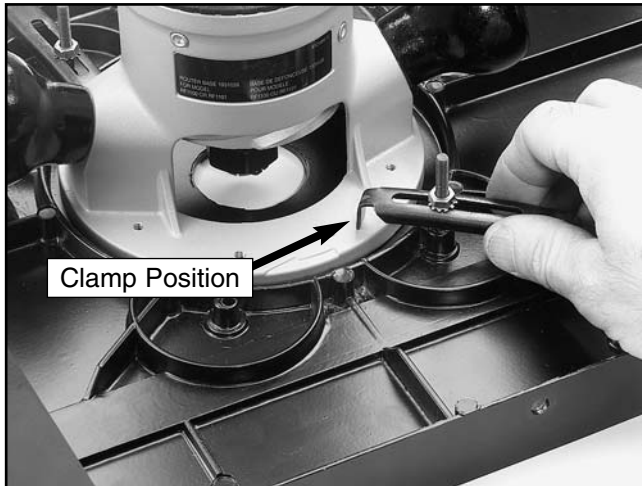
1. Remove the base plate from the router base. *Note—The bottom face of the router base must form a continuous ring with no gaps. If the router base does not have this design, DO NOT remove the base plate.*
2. Turn the router table upside down.
3. Insert the supplied M5-0.8 x 45 carriage bolts through the four large mounting holes in the top of the main table.
4. Slide the four clamps over the ends of the carriage bolts with the tabs facing the underside of the main table as shown in **Figure 8**.



**Figure 8.** Clamps for securing "Method 2" style routers to the main table.

5. Begin threading the M5-0.8 keps nuts onto the ends of the M5-0.8 x 45 carriage bolts.
6. Rotate the clamps out of the circular recess and position the router base against the circular recessed area.

7. Hold the router and rotate the clamps over the router base as shown in **Figure 9**.



**Figure 9.** Rotating a clamp over the router base.

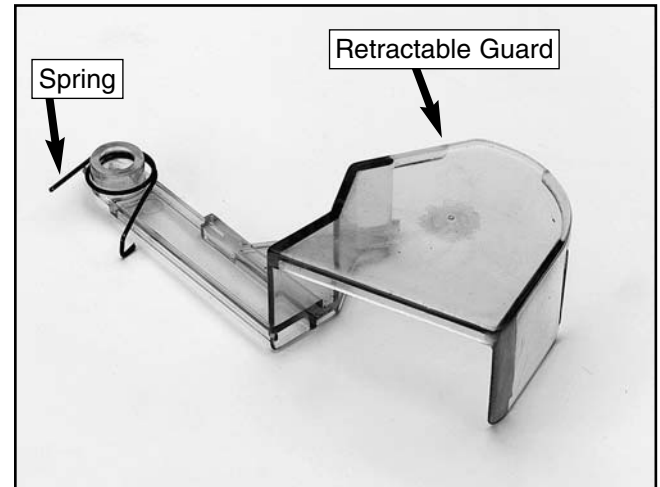
8. Tighten the M5-0.8 keps nuts enough to prevent the router from moving, but **DO NOT** fully tighten them at this time.
9. Turn the router table top-side up.
10. Loosen the M5-0.8 keps nuts several turns and reposition the router until the router spindle is centered in the round table cut-out when viewed from above.
11. Tighten the M5-0.8 keps nuts (**Figure 10**).



**Figure 10.** Correctly clamped router.

#### To assemble the fence:

1. Attach the spring to the retractable guard as shown in **Figure 11**.



**Figure 11.** Correct spring placement.

2. Insert the retractable guard into the fence and secure the guard with the supplied M4 x 12 tap screw and the M5 flat washer (**Figure 12**). *The bit guard should move freely with no binding on the fence. If binding occurs, lightly sand or file the contact areas.*



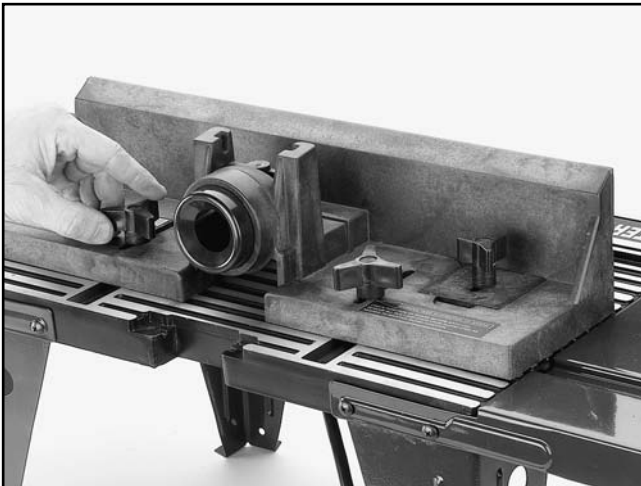
**Figure 12.** Correctly installed guard.

- Slide the pocket jointing fence into the slot in the face of the main fence as shown in **Figure 13**.



**Figure 13.** Installing the pocket jointing fence.

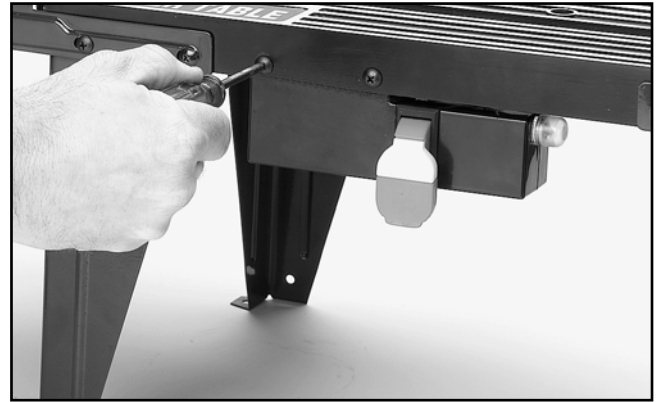
- Secure the pocket jointing fence to the main fence with the supplied M8-1.0 x 20 hex bolt and the M8-1.0 threaded knob.
- Place the fence assembly on the main table.
- Align the slots on the fence assembly over the slots on the table surface.
- Secure the fence assembly to the table with the supplied M8-1.0 x 40 hex bolts and the M8-1.0 threaded knobs as shown in **Figure 14**.



**Figure 14.** Securing the fence to the main table.

#### To attach the power switch to the main table:

- Secure the power switch to the main table with the supplied #10-32 x 3/4" truss head phillips screws and the #10-32 keps nuts as shown in **Figure 15**. *Note—The power switch mounting bracket should be on the inside of the main table edge.*



**Figure 15.** Securing the power switch to the main table.

- Flip the table assembly top-side up.

**To secure the router table to a workbench:**

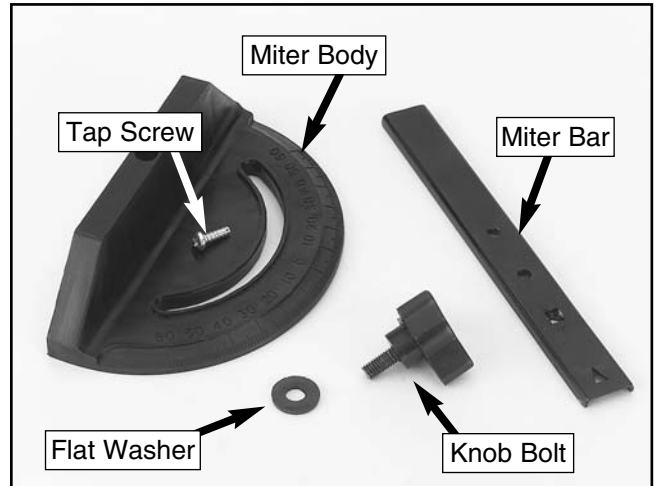
The bottom of each leg has two holes (**Figure 16**) used for mounting the router table to the workbench. Secure the router table to the workbench with wood screws and washers.



**Figure 16.** Router table mounting holes.

**To assemble the miter gauge (Figure 17 & 18):**

1. Attach the miter body to the miter bar with the supplied M4 x 12 tap screw.
2. Place the M8 flat washer over the M8-1.0 x 12 knob bolt.
3. Slide the M8-1.0 x 12 knob bolt through the miter body slot and thread it into the miter bar.

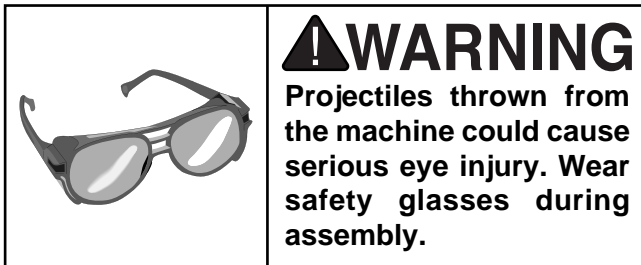
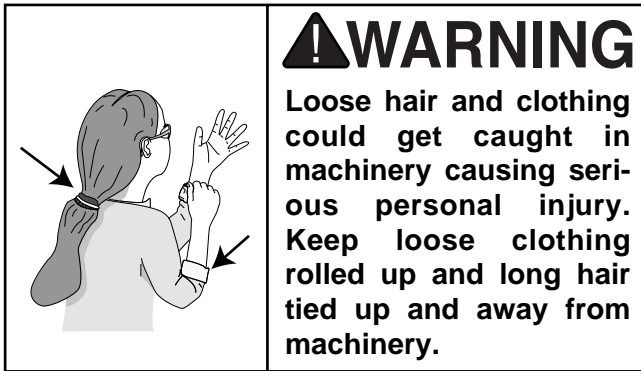


**Figure 17.** Miter gauge components.



**Figure 18.** Assembled miter gauge.

# Operation



Routing operations on your Model H3114 are grouped into three main techniques:

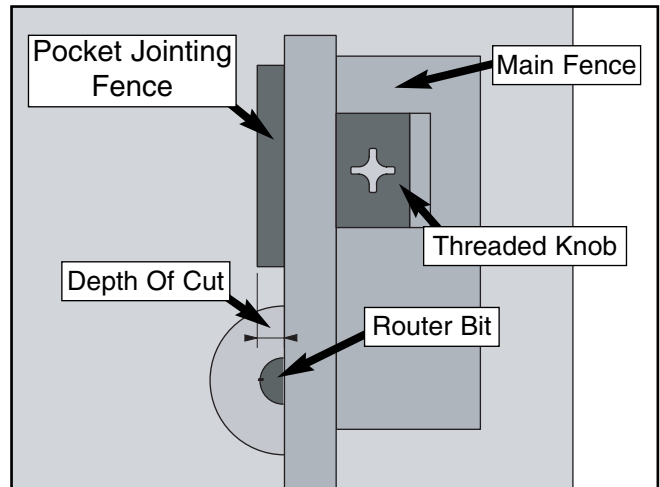
- **Jointing an edge (Page 14)**
- **Groove cutting (Page 15)**
- **Profile cutting with pilot bits (Page 16)**

## Jointing an edge:

Jointing the edge of a board involves using a straight cutting router bit to remove wood from the edge face of a board. The result is a perfectly flat and square edge used as the glue edge when gluing multiple boards together to form a larger panel.

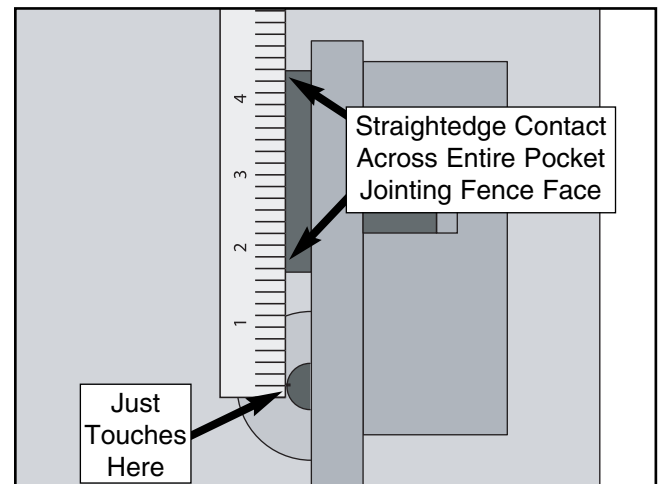
1. Secure a straight cutting router bit into your router according to the router manufacturer's instructions.
2. Snap one of the table inserts into the recessed hole on the table. Use the insert with the smallest hole that still allows the bit free rotation.
3. Raise the bit to a height equal to that of the thickness of your board.

4. Loosen the threaded knob on the pocket jointing fence and slide the pocket jointing fence from the main fence to the desired depth of cut (**Figure 19**). Tighten the threaded knob when adjusted correctly. *Note—The face of the pocket jointing fence must be parallel to the main fence face before performing any routing operations.*



**Figure 19.** Proper setup for jointing an edge.

5. Loosen the threaded knobs that secure the main fence.
6. Place a straightedge across the entire face of the pocket jointing fence and adjust the main fence until the outside diameter of the router bit just touches the straightedge (**Figure 20**).



**Figure 20.** Use a straightedge to properly adjust the main fence.

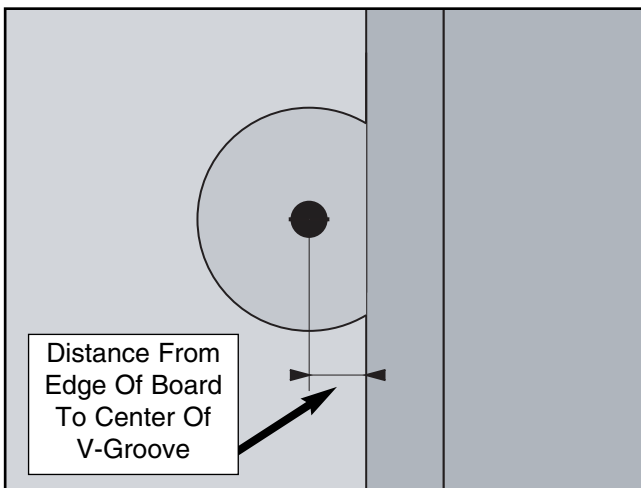
7. Tighten the main fence threaded knobs.
8. Double check that the router is secured to the table. If it is, the router table is ready for use.



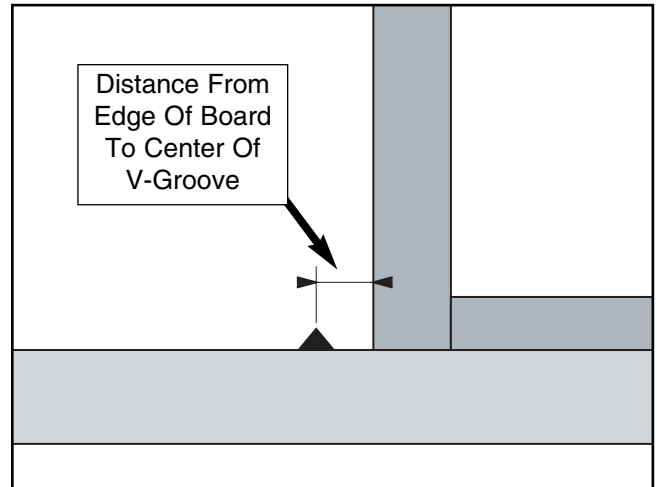
## Groove cutting:

Beading is commonly defined as cutting a groove or bead in the face of a board.

1. Mount a router bit into your router according to the router manufacturer's instructions.
2. Snap one of the table inserts into the recessed hole on the table. Use the insert with the smallest hole that still allows the bit free rotation.
3. Raise the bit to the desired height.
4. Loosen the threaded knobs that secure the main fence.
5. Adjust the main fence until the center of the V-groove bit is the desired distance away as shown in **Figure 21 & 22**.



**Figure 21.** Groove cutting setup.  
(Top View)



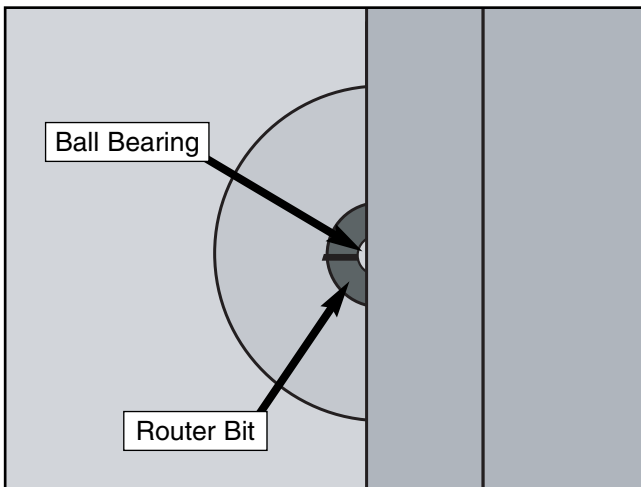
**Figure 22.** Groove cutting setup.  
(Side View)

6. Tighten the main fence threaded knobs.
7. Double check that the router is secured to the table. If it is, the router table is ready for use.

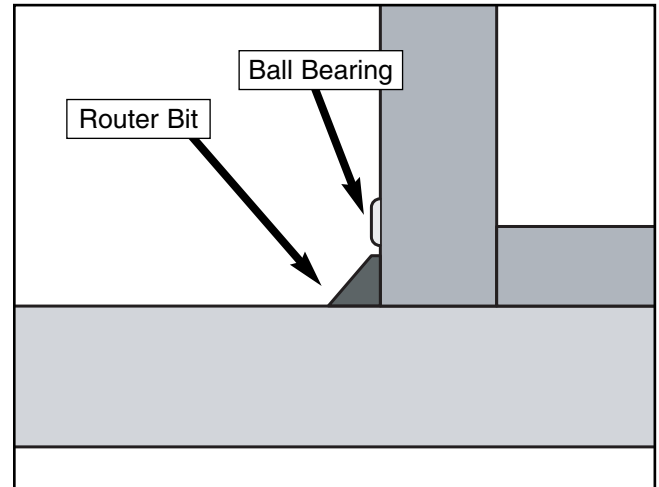
### Profile cutting with pilot bits:

Router bits with ball bearings are called pilot bits. The ball bearing is used to control the depth of cut into the edge face of a board. A good example would be a chamfer cut. The bearing rides along the uncut edge of the board while the cutter removes the wood.

1. Mount a router bit into your router according to the router manufacturer's instructions.
2. Snap one of the table inserts into the recessed hole on the table. Use the insert with the smallest hole that still allows the bit free rotation.
3. Raise the bit to the desired height.
4. Loosen the threaded knobs that secure the main fence.
5. Adjust the fence back away from the bit only enough to allow the bearing to control the depth of cut as shown in **Figure 23 & 24**.
6. Adjust the fence as close as possible to the bearing. The fence will serve as a back-up support, reducing the chance of an accident.



**Figure 23.** Proper setup for profile cutting.  
(Top View)



**Figure 24.** Proper setup for profile cutting.  
(Side View)

7. Tighten the main fence threaded knobs.
8. Double check that the router is secured to the table. If it is, the router table is ready for use.

# SECTION 5: REFERENCE INFO

---

If you need parts or help in assembling your machine, or if you need operational information, call the Grizzly Service Department. Trained service technicians will be glad to help you.

If you have any comments regarding this manual, please write to Grizzly at the address below:

Grizzly Industrial, Inc.  
c/o Technical Documentation  
P.O. Box 2069  
Bellingham, WA 98227-2069

Important safety measures that are essential to the operation of this machine have been explained in *Section 1: Safety*. While most safety measures are generally universal, Grizzly reminds you that each workshop is different and safety rules should be considered as they apply to your specific situation.

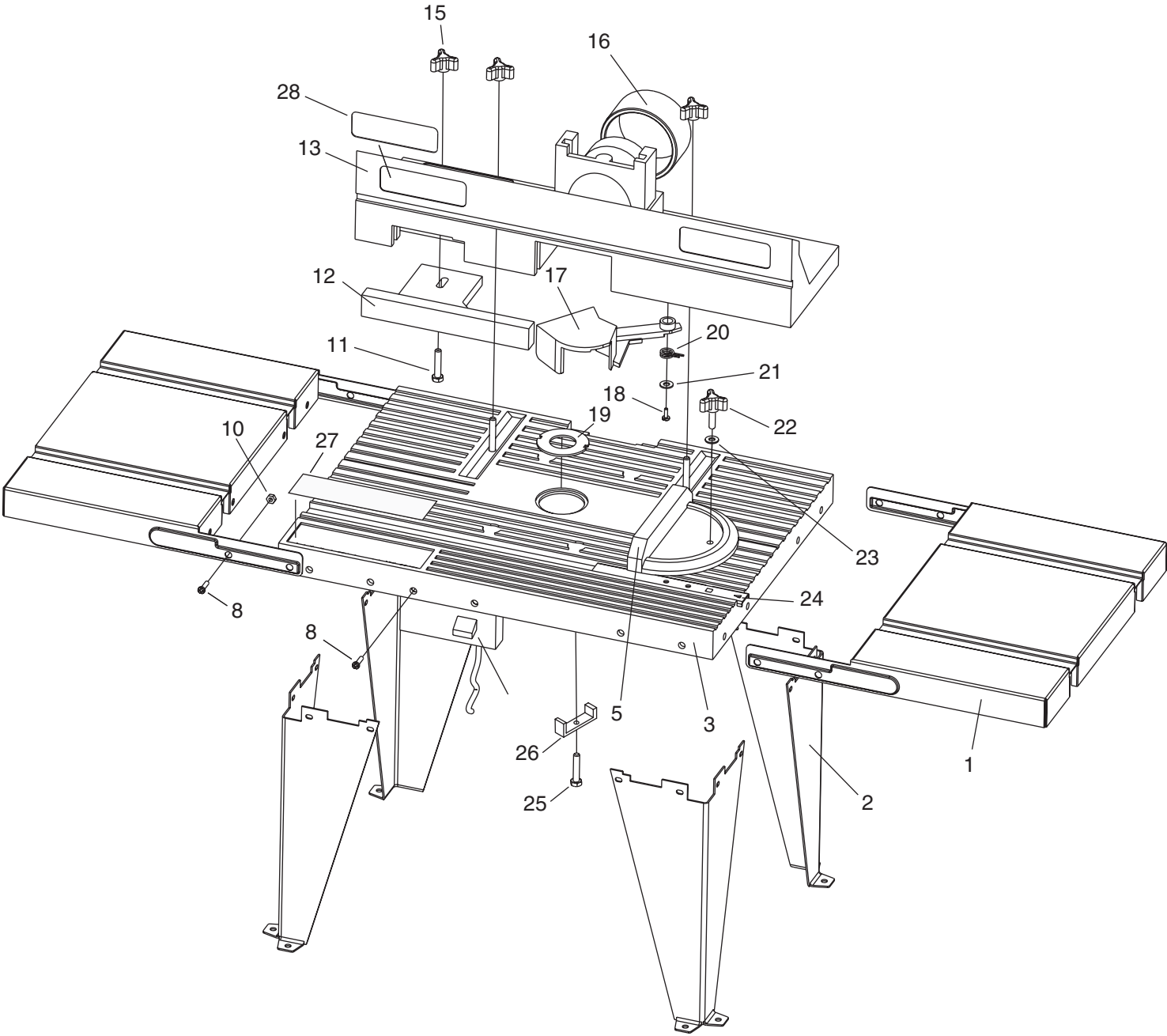
We recommend you keep a copy of our current catalog for complete information regarding Grizzly's warranty and return policy. If you need additional technical information relating to this machine, or if you need general assistance or replacement parts, please contact the Service Department at the location listed below.

Grizzly Industrial, Inc.  
1203 Lycoming Circle  
Muncy, PA 17756  
Phone: (570) 546-9663  
Fax: (800) 438-5901  
E-Mail: [techsupport@grizzly.com](mailto:techsupport@grizzly.com)  
Web Site: <http://www.grizzly.com>.

Additional information sources are necessary to realize the full potential of this machine. Trade journals, woodworking magazines, and your local library are good places to start.



# PARTS BREAKDOWN AND LIST



REF	PART #	DESCRIPTION
1	PH3114001	EXTENSION TABLE
2	PH3114002	LEG
3	PH3114003	MAIN TABLE
5	PH3114005	MITER BODY
6	PH3114006	SWITCH
8	PS40	#10-32 x 3/4" TRUSS HD PHLP SCR
10	PN29	#10-32 HEX NUT (KEPS)
11	PB09M	M8-1.25 x 20 HEX BOLT
12	PH3114012	POCKET JOINTING FENCE
13	PH3114013	MAIN FENCE
15	PH3114015	M8-1.25 THREADED KNOB
16	PH3114016	DUST COLLECTION INSERT

REF	PART #	DESCRIPTION
17	PH3114017	SAFETY GUARD
18	PHTEK5M	M4 X 12 (TYPE B) TAP SCREW
19	PH3114019	TABLE INSERT (5)
20	PH3114020	SPRING
21	PW02M	M5 FLAT WASHER
22	PH3114022	M8-1.25 x 12 KNOB BOLT
23	PW09M	M7 FLAT WASHER
24	PH3114024	MITER BAR
25	PCB05M	M5-0.8 X 45 CARRIAGE BOLT
26	PH3114026	CLAMPS
27	PH3114027	LOGO (LARGE)
28	PH3114028	LOGO (SMALL)

# NOTES

---

---

# NOTES

---

---

# WARRANTY AND RETURNS

---

---

Grizzly Industrial, Inc. warrants every product it sells for a period of **1 year** to the original purchaser from the date of purchase. This warranty does not apply to defects due directly or indirectly to misuse, abuse, negligence, accidents, repairs or alterations or lack of maintenance. This is Grizzly's sole written warranty and any and all warranties that may be implied by law, including any merchantability or fitness, for any particular purpose, are hereby limited to the duration of this written warranty. We do not warrant or represent that the merchandise complies with the provisions of any law or acts unless the manufacturer so warrants. In no event shall Grizzly's liability under this warranty exceed the purchase price paid for the product and any legal actions brought against Grizzly shall be tried in the State of Washington, County of Whatcom.

We shall in no event be liable for death, injuries to persons or property or for incidental, contingent, special, or consequential damages arising from the use of our products.

To take advantage of this warranty, contact us by mail or phone and give us all the details. We will then issue you a "Return Number," which must be clearly posted on the outside as well as the inside of the carton. We will not accept any item back without this number. Proof of purchase must accompany the merchandise.

The manufacturers reserve the right to change specifications at any time because they constantly strive to achieve better quality equipment. We make every effort to ensure that our products meet high quality and durability standards and we hope you never need to use this warranty.

Please feel free to write or call us if you have any questions about the machine or the manual.

Thank you again for your business and continued support. We hope to serve you again soon.



# WARRANTY CARD

Name \_\_\_\_\_  
Street \_\_\_\_\_  
City \_\_\_\_\_ State \_\_\_\_\_ Zip \_\_\_\_\_  
Phone Number \_\_\_\_\_ E-Mail \_\_\_\_\_ FAX \_\_\_\_\_  
MODEL # \_\_\_\_\_ Order # \_\_\_\_\_ Serial # \_\_\_\_\_

The following information is given on a voluntary basis. It will be used for marketing purposes to help us develop better products and services. Of course, all information is strictly confidential.

- How did you learn about us?  
 Advertisement  Friend  
 Catalog  Card Deck  
 World Wide Web  
 Other \_\_\_\_\_
- Which of the following magazines do you subscribe to.  
 American Woodworker  Practical Homeowner  
 Cabinetmaker  Shop Notes  
 Family Handyman  Today's Homeowner  
 Fine Homebuilding  WOOD  
 Fine Woodworking  Wooden Boat  
 Home Handyman  Woodshop News  
 Journal of Light Construction  Woodsmith  
 Old House Journal  Woodwork  
 Popular Mechanics  Woodworker  
 Popular Science  Woodworker's Journal  
 Popular Woodworking  Workbench  
 Other \_\_\_\_\_
- Which of the following woodworking/remodeling shows do you watch?  
 Backyard America  The New Yankee Workshop  
 Home Time  This Old House  
 The American Woodworker  Woodwright's Shop  
 Other \_\_\_\_\_
- What is your annual household income?  
 \$20,000-\$29,999  \$60,000-\$69,999  
 \$30,000-\$39,999  \$70,000-\$79,999  
 \$40,000-\$49,999  \$80,000-\$89,999  
 \$50,000-\$59,999  \$90,000 +
- What is your age group?  
 20-29  50-59  
 30-39  60-69  
 40-49  70 +
- How long have you been a woodworker?  
 0 - 2 Years  8 - 20 Years  
 2 - 8 Years  20+ Years
- How would you rank your woodworking skills?  
 Simple  Advanced  
 Intermediate  Master Craftsman
- What stationary woodworking tools do you own? Check all that apply.  
 Air Compressor  Panel Saw  
 Band Saw  Planer  
 Drill Press  Power Feeder  
 Drum Sander  Radial Arm Saw  
 Dust Collector  Shaper  
 Horizontal Boring Machine  Spindle Sander  
 Jointer  Table Saw  
 Lathe  Vacuum Veneer Press  
 Mortiser  Wide Belt Sander  
 Other \_\_\_\_\_
- How many of your woodworking machines are Grizzly? \_\_\_\_\_
- Which benchtop tools do you own? Check all that apply.  
 1" x 42" Belt Sander  6" - 8" Grinder  
 5" - 8" Drill Press  Mini Lathe  
 8" Table Saw  10" - 12" Thickness Planer  
 8" - 10" Bandsaw  Scroll Saw  
 Disc/Belt Sander  Spindle/Belt Sander  
 Mini Jointer  
 Other \_\_\_\_\_
- How many of the machines checked above are Grizzly? \_\_\_\_\_
- Which portable/hand held power tools do you own? Check all that apply.  
 Belt Sander  Orbital Sander  
 Biscuit Joiner  Palm Sander  
 Circular Saw  Portable Planer  
 Detail Sander  Saber Saw  
 Drill/Driver  Reciprocating Saw  
 Miter Saw  Router  
 Other \_\_\_\_\_
- What machines/supplies would you like Grizzly Industrial to carry?  
\_\_\_\_\_  
\_\_\_\_\_
- What new accessories would you like Grizzly Industrial to carry?  
\_\_\_\_\_  
\_\_\_\_\_
- What other companies do you purchase your tools and supplies from?  
\_\_\_\_\_  
\_\_\_\_\_
- Do you think your purchase represents good value?  
 Yes  No
- Would you recommend Grizzly Industrial to a friend?  
 Yes  No
- Would you allow us to use your name as a reference for Grizzly customers in your area? **Note: We never use names more than three times.**  
 Yes  No
- Comments: \_\_\_\_\_  
\_\_\_\_\_  
\_\_\_\_\_  
\_\_\_\_\_

CUT ALONG DOTTED LINE

FOLD ALONG DOTTED LINE

\_\_\_\_\_

\_\_\_\_\_

\_\_\_\_\_



Place  
Stamp  
Here



**GRIZZLY INDUSTRIAL, INC.**  
**P.O. BOX 2069**  
**BELLINGHAM, WA 98227-2069**



FOLD ALONG DOTTED LINE

Send a Grizzly Catalog to a friend:

Name \_\_\_\_\_

Street \_\_\_\_\_

City \_\_\_\_\_ State \_\_\_\_\_ Zip \_\_\_\_\_

TAPE ALONG EDGES--PLEASE DO NOT STAPLE



# *grizzly.com*

**TOOL WEBSITE**

Buy Direct and Save with Grizzly® – Trusted, Proven and a Great Value!

*Visit Our Website Today And Discover Why  
Grizzly® Is The Industry Leader!*

- SECURE ORDERING
- ORDERS SHIPPED WITHIN 24 HOURS
- E-MAIL RESPONSE WITHIN ONE HOUR

-OR-

Call Today For A **FREE**  
Full Color Catalog

**1-800-523-4777**



## Free Manuals Download Website

<http://myh66.com>

<http://usermanuals.us>

<http://www.somanuals.com>

<http://www.4manuals.cc>

<http://www.manual-lib.com>

<http://www.404manual.com>

<http://www.luxmanual.com>

<http://aubethermostatmanual.com>

Golf course search by state

<http://golfingnear.com>

Email search by domain

<http://emailbydomain.com>

Auto manuals search

<http://auto.somanuals.com>

TV manuals search

<http://tv.somanuals.com>