



HEAVY-DUTY PLANER

MODEL H3141

INSTRUCTION MANUAL



COPYRIGHT © DECEMBER 2002 BY GRIZZLY INDUSTRIAL, INC.
1821 VALENCIA ST., BELLINGHAM, WA 98227

**WARNING: NO PORTION OF THIS MANUAL MAY BE REPRODUCED IN ANY SHAPE
OR FORM WITHOUT THE WRITTEN APPROVAL OF GRIZZLY INDUSTRIAL, INC.
PRINTED IN CHINA**

ONLINE MANUAL DISCLAIMER

THE INFORMATION IN THIS MANUAL REPRESENTS THE CONFIGURATION OF THE MACHINE AS IT IS CURRENTLY BEING SHIPPED. THE MACHINE CONFIGURATION CAN CHANGE AS PRODUCT IMPROVEMENTS ARE INCORPORATED. IF YOU OWN AN EARLIER VERSION OF THE MACHINE, THIS MANUAL MAY NOT EXACTLY DEPICT YOUR MACHINE. CONTACT CUSTOMER SERVICE IF YOU HAVE ANY QUESTIONS ABOUT DIFFERENCES. PREVIOUS VERSIONS ARE NOT AVAILABLE ONLINE.

WARNING

Some dust created by power sanding, sawing, grinding, drilling, and other construction activities contains chemicals known to the State of California to cause cancer, birth defects or other reproductive harm. Some examples of these chemicals are:

- Lead from lead-based paints.
- Crystalline silica from bricks, cement, and other masonry products.
- Arsenic and chromium from chemically treated lumber.


Your risk from these exposures varies, depending on how often you do this type of work. To reduce your exposure to these chemicals: work in a well ventilated area, and work with approved safety equipment, such as those dust masks that are specially designed to filter out microscopic particles.


SAFETY


WARNING

For Your Own Safety Read Instruction Manual Before Operating This Equipment

The purpose of safety symbols is to attract your attention to possible hazardous conditions. This manual uses a series of symbols and signal words which are intended to convey the level of importance of the safety messages. The progression of symbols is described below. Remember that safety messages by themselves do not eliminate danger and are not a substitute for proper accident prevention measures.

 **DANGER** Indicates an imminently hazardous situation which, if not avoided, WILL result in death or serious injury.

 **WARNING** Indicates a potentially hazardous situation which, if not avoided, COULD result in death or serious injury.

 **CAUTION** Indicates a potentially hazardous situation which, if not avoided, MAY result in minor or moderate injury. It may also be used to alert against unsafe practices.

NOTICE This symbol is used to alert the user to useful information about proper operation of the equipment.

WARNING **Safety Instructions**

- KEEP ALL SAFETY DEVICES IN PLACE** and in working order.
- REMOVE ADJUSTING KEYS AND WRENCHES.** Form habit of checking to see that keys and adjusting wrenches are removed from winch before operation.
- KEEP CHILDREN AWAY.** All children should be kept at a safe distance from winch.
- DO NOT USE UNDER THE INFLUENCE OF DRUGS OR ALCOHOL.**
- NEVER ALLOW UNTRAINED USERS TO RUN THIS TOOL WHILE UNSUPERVISED.**
- WEAR PROPER APPAREL.** Do not wear loose clothing, gloves, neckties, rings, bracelets, or other jewelry which may get caught in moving parts. Non-slip footwear is recommended. Wear protective hair covering to contain long hair.
- ALWAYS USE SAFETY GLASSES.** Also use face or dust mask if cutting operation is dusty. Everyday eyeglasses only have impact resistant lenses, they are NOT safety glasses.
- IF YOU ARE UNSURE OF THE INTENDED OPERATION, STOP USING THE TOOL.**

WARNING

Safety Instructions For Power Tools

- 9. USE PROPER EXTENSION CORD** for the tool. Make sure your extension cord is in good condition. Conductor size should be in accordance with the chart below. The amperage rating should be listed on the motor or tool nameplate. An undersized cord will cause a drop in line voltage resulting in loss of power and overheating. Your extension cord must also contain a ground wire and plug pin. Always repair or replace extension cords if they become damaged.
- 10. WEAR PROPER APPAREL.** Do not wear loose clothing, gloves, neckties, rings, bracelets, or other jewelry which may get caught in moving parts. Non-slip footwear is recommended. Wear protective hair covering to contain long hair.
- 11. ALWAYS USE SAFETY GLASSES.** Also use face or dust mask if cutting operation is dusty. Everyday eyeglasses only have impact resistant lenses, they are NOT safety glasses.
- 12. SECURE WORK.** Use clamps or a vise to hold work when practical. It's safer than using your hand and frees both hands to operate tool.
- 13. DON'T OVERREACH.** Keep proper footing and balance at all times.
- 14. MAINTAIN TOOLS WITH CARE.** Keep tools sharp and clean for best and safest performance. Follow instructions for lubricating and changing accessories.
- 15. DISCONNECT TOOLS** before servicing and changing accessories, such as blades, bits, cutters, and the like.
- 16. REDUCE THE RISK OF UNINTENTIONAL STARTING.** Make sure switch is in off position before plugging in.
- 17. USE RECOMMENDED ACCESSORIES.** Consult the owner's manual for recommended accessories. The use of improper accessories may cause risk of injury.
- 18. CHECK DAMAGED PARTS.** Before further use of the tool, a guard or other part that is damaged should be carefully checked to determine that it will operate properly and perform its intended function. Check for alignment of moving parts, binding of moving parts, breakage of parts, mounting, and any other conditions that may affect its operation. A guard or other part that is damaged should be properly repaired or replaced.

Minimum Gauge for Extension Cords

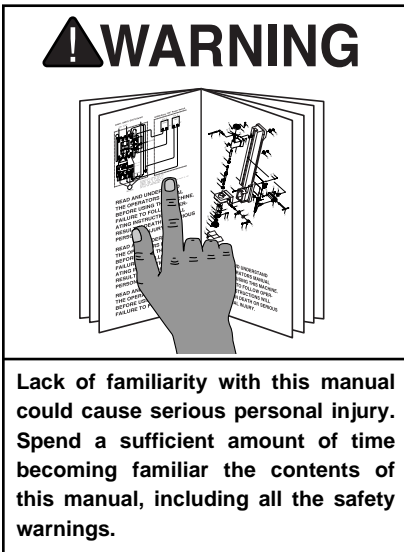
AMP RATING	LENGTH		
	25ft	50ft	100ft
0-6	18	16	16
7-10	18	16	14
11-12	16	16	14
13-16	14	12	12
17-20	12	12	10
21-30	10	10	No

WARNING

No list of safety guidelines can be complete. Operating this tool may require additional safety precautions specific to your working environment. Failure to use reasonable caution while operating this tool could result in serious personal injury.

INTRODUCTION

Commentary



Lack of familiarity with this manual could cause serious personal injury. Spend a sufficient amount of time becoming familiar the contents of this manual, including all the safety warnings.

We are proud to offer the Grizzly Model H3141 Heavy-Duty Planer. This model is part of a growing Grizzly family of fine tools. When used according to the guidelines set forth in this manual, you can expect years of trouble-free, enjoyable operation and proof of Grizzly's commitment to customer satisfaction.

The Model H3141 is perfect for heavy-duty planing needs. It gives a wide 3/4" cut and can take off 5/64" per pass, as well as a 1/16" rabbet capability. This planer comes with a blade wrench, a spare cog belt, an edge guide and a dust bag.

We are pleased to provide this manual with the Model H3141. It was written to encourage safety considerations and guide you through general operating procedures and maintenance. This manual represents our effort to produce the best documentation possible.

H3141 Heavy-Duty Planer

The specifications, details, and photographs in this manual represent the Model H3141 as supplied when the manual was prepared. However, owing to Grizzly's policy of continuous improvement, changes may be made at any time with no obligation on the part of Grizzly. If you have any comments regarding this manual, please write to us at the address below:

Grizzly Industrial, Inc.
c/o Technical Documentation
P.O. Box 2069
Bellingham, WA 98227-2069

Most importantly, we stand behind our tools. If you have any service questions or parts requests, please call or write us at the location listed below.

Grizzly Industrial, Inc.
1203 Lycoming Mall Circle
Muncy, PA 17756
Phone: (570) 546-9663
Fax: (800) 438-5901
E-Mail: techsupport@grizzly.com
Web Site: <http://www.grizzly.com>

PLANER FEATURES

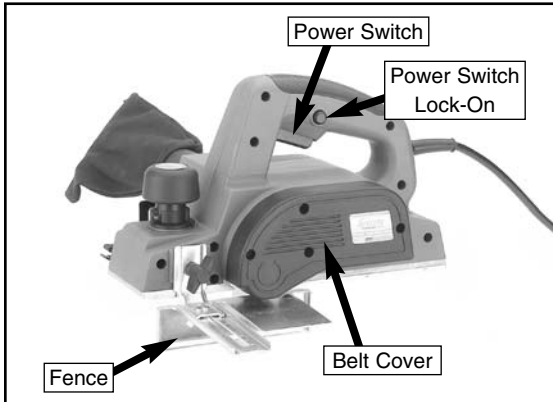


Figure 1. Left Side

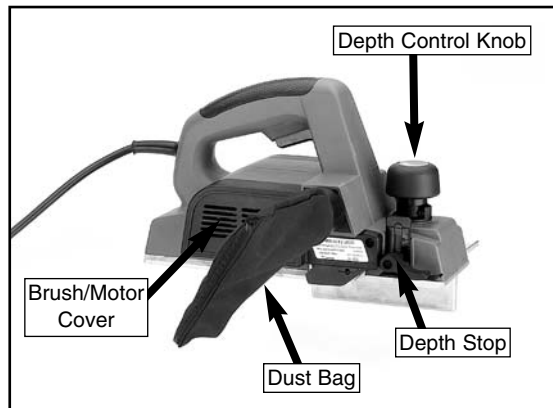


Figure 2. Right Side

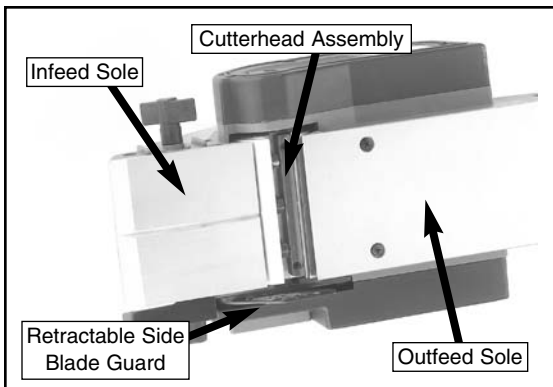


Figure 3. Bottom

ELECTRICAL & ADJUSTMENTS

Electrical

The Model H3141 draws approximately 6 amps when operating at 110 volts. Be sure your power source is 110 volts and capable of handling a 6 amp current. The plug on the Model H3141 is a 2 prong double insulated style and should only be plugged into a grounded power outlet. If you are unsure about your electrical system, contact a qualified electrician.

⚠ WARNING

Unplug the planer from the power source before performing any adjustments or maintenance. Failure to follow this warning could result in serious personal injury.

Dust Bag

A dust collection bag is included with the H3141 Planer. A significant amount of shavings can be expelled from the planer during operation. Attaching the dust bag will reduce the amount of clean-up required and will provide a safer environment for the operator.

Depth Of Cut

The depth of cut is adjustable. To increase the depth of cut turn the depth control knob (Figure 4) clockwise. To decrease the depth of cut turn the depth control knob counterclockwise.



Figure 4. Depth control knob.

H3141 Heavy-Duty Planer

Width Of Cut

The width of cut is adjustable. The width of cut can be set using the included fence shown in Figure 5. Use the threaded knob to secure the fence bracket to the side of the planer. Loosen the wing nut and slide the fence back and forth. Use the scale on the fence bracket to set the desired width of cut.

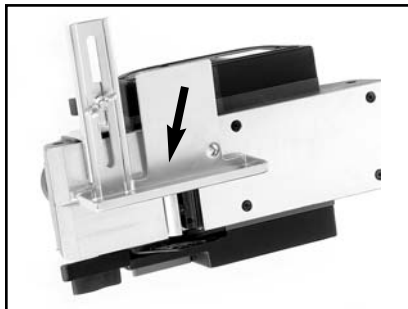


Figure 5. Fence assembly.

Depth Stop

The final cut depth on rabbeting operations can be set using the adjustable depth stop shown in Figure 6. Loosen the lock lever and slide the depth stop to the desired final depth on the scale. Re-lock the lever to secure the depth stop.

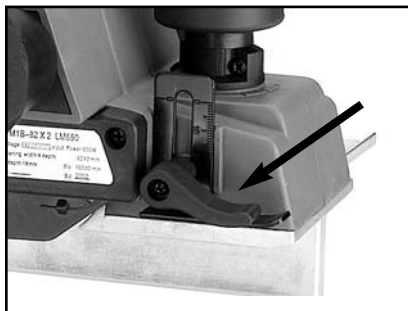


Figure 6. Depth stop.

OPERATION

Planing

1. **Unplug the planer from the power source!**
2. Set the planer on a flat surface such as a workbench.
3. Turn the depth control knob until both the infeed and outfeed soles are flat against the workbench.
4. While keeping the outfeed sole flat against the workbench, turn the depth control knob to raise the infeed sole off of the workbench. *Note—The difference in height between the infeed and outfeed soles will be the depth of cut (See Figure 7).*
5. Plug the planer into a suitable power source. **Review the *Electrical section*.**
6. If the fence will be used, attach the fence to the planer and adjust it to the desired width of cut.
7. Make sure all knobs are secure.
8. The planer is ready to be operated!

WARNING

Failure to wear safety glasses while operating the grinder could cause serious personal eye injury.

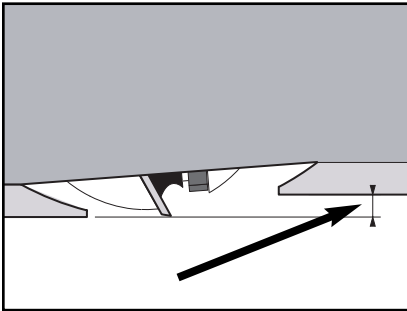


Figure 7. Depth of cut.

MAINTENANCE

Blades Changes

Periodically the blades will become dull. Dull blades increase the load on the planer and can reduce its usable lifespan. When you notice the blade performance begin to decrease, change the blades.

WARNING

Unplug the planer from the power source before performing any maintenance. Failure to follow this warning could result in serious personal injury.

1. **Unplug the planer from the power source!**
2. **Use extreme caution when working around the sharp blade edge.**
3. Using the open end wrench, loosen the 3 gib bolts (**Figure 8**) on the blade holder.

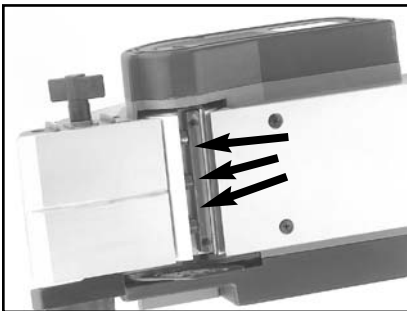


Figure 8. 3 gib bolts.

4. Using an allen wrench, loosen the 2 set screws in the blade holder.
5. Retract the side blade guard and slide the blade and blade holder out of the cutterhead.
6. Using a small flat head screwdriver, push the blade out from the end of the blade holder.
7. Once removed, you will notice 2 cutting edges on each blade. Turning the blades reveals the new cutting edge.
8. Re-insert the blade into the blade holder so the new edge will be revealed. New blades can be purchased in the current Grizzly Catalog as Part #H4999.
9. Re-install the blade holder into the cutterhead.
10. Set a straightedge across the outfeed sole and over the cutterhead.
11. Rotate the cutterhead so the blade edge is at the top-dead-center of its rotation shown in **Figure 9**.

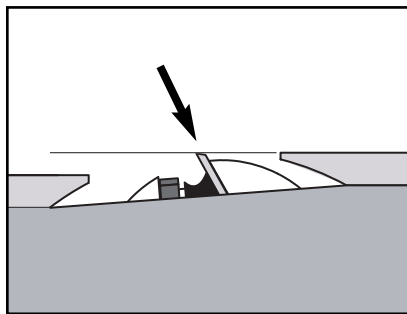


Figure 9. Top dead center position.

12. Using an allen wrench, adjust the set screws in the cutterhead (**Figure 10**) until the blade edge just touches the straightedge (**Figure 11**). *Note—If the blade edge is set lower than the outfeed sole, the end of the workpiece will not pass smoothly onto the outfeed sole. If the blade edge is set higher than the outfeed sole, accurate planing results will not be achieved.*



Figure 10. Setting cutter height.

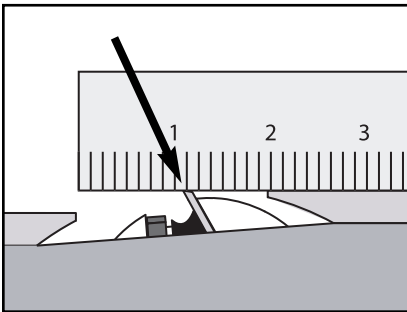


Figure 11. Correctly adjusted cutter.

13. The edge of the outfeed and infeed soles should be aligned with the edge of the blade. Adjust if necessary.
14. Using the open-end wrench, tighten the 3 gib bolts to secure the blade holder into position.
15. Recheck the blade holder alignment and blade height using a straightedge,
16. Repeat the blade changing process for the second blade.

Cog Belt

To replace the cog belt (**Figure 12**), loosen the phillips screws on the belt cover and set the belt cover aside. To remove the belt, turn the belt and pull it off the pulley at the same time. To install the belt, place the belt over the large pulley first, then pull and turn the belt onto the smaller pulley.



Figure 12. Cog belt.

Motor Brushes

To replace the motor brushes, loosen the phillips screws on the vented motor cover and set the motor cover aside. Remove the brush holders and brushes, and replace with new ones as shown in **Figure 13**.

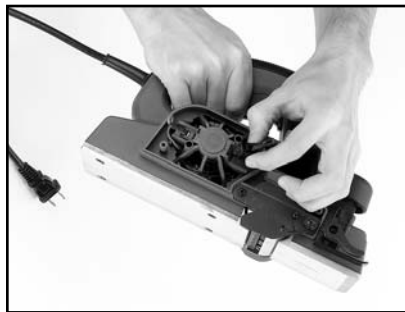
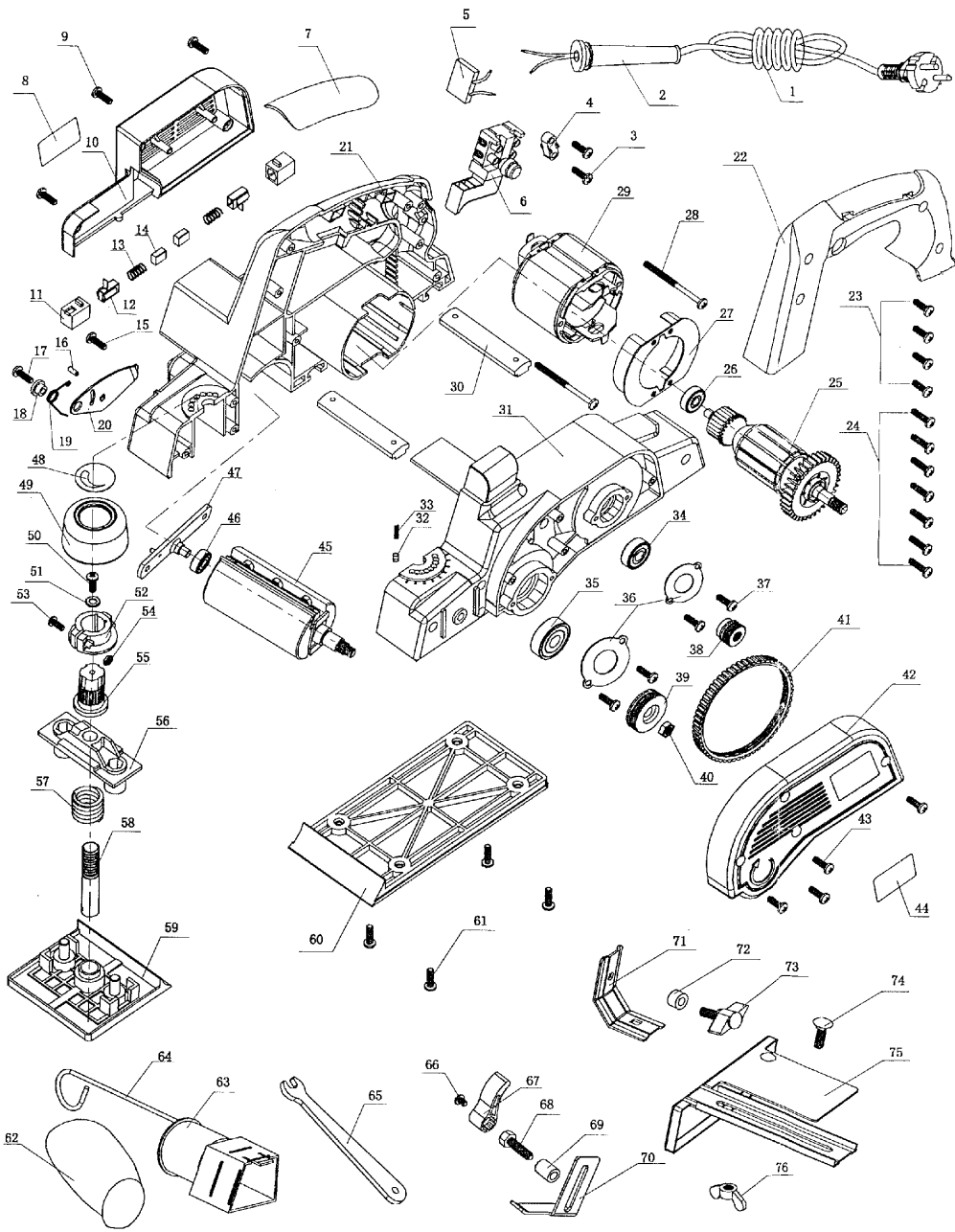


Figure 13. Changing motor brushes.



REF	PART #	DESCRIPTION
1	PH3141001	CABLE
2	PH3141002	CABLE BUSHING
3	PHTEK8	TAP SCREW #8 X 1/2"
4	PH3141004	CABLE CLAMP
5	PH3141005	CAPACITANCE
6	PH3141006	SWITCH
7	PH3141007	HANDLE COVER
8	PH3141008	NAMEPLATE
9	PHTEK10	TAP SCREW #8 X 5/8"
10	PH3141010	RIGHT COVER
11	PH3141011	BRUSH HOLDER
12	PH3141012	BRUSH LINING
13	PH3141013	SPRING
14	PH3141014	CARBON BRUSH
15	PHTEK8	TAP SCREW #8 X 1/2"
16	PH3141016	PIN
17	PHTEK11	TAP SCREW #8 X 3/4"
18	PH3141018	BUSHING
19	PH3141019	SPRING
20	PH3141020	BAFFLE
21	PH3141021	RIGHT HOUSING
22	PH3141022	LEFT HANDLE
23	PHTEK10	TAP SCREW #8 X 5/8"
24	PHTEK10	TAP SCREW #8 X 5/8"
25	PH3141025	ROTATOR
26	P626	BEARING626ZZ
27	PH3141027	AIR DEFLECTOR
28	PHTEK12	TAP SCREW #8 X 2"
29	PH3141029	STATOR
30	PH3141030	SLAT
31	PH3141031	LEFT HOUSING
32	PH3141032	SPRING
33	PH3141033	SLEEVE
34	P608	BEARING 608ZZ
35	P6200	BEARING 6200ZZ
36	PH3141036	FLANGE
37	PS39M	PHLP HD SCR M8-1.25 X 10
38	PH3141038	DRIVING WHEEL

REF	PART #	DESCRIPTION
39	PH3141039	PASSIVE WHEEL
40	PNO1M	HEX NUT M6
41	PH3141041	DRIVING BELT
42	PH3141042	LEFT COVER
43	PHTEK10	TAP SCREW #8 X 5/8"
44	PH3141044	BRAND
45	PH3141045	BLADE BODY
46	P606	BEARING 606ZZ
47	PH3141047	TOOL CARRIER
48	PH3141048	KNOB COVER
49	PH3141049	KNOB
50	PHTEK8	TAP SCREW #8 X 1/2"
51	PW02M	FLAT WASHER M5
52	PH3141052	ADJUSTING RING
53	PS38M	PHLP HD SCR M4-0.7 X 10
54	PNO4M	HEX NUT M4-0.7
55	PH3141055	REGULATIVE SHAFT
56	PH3141056	SUPPORT FRAME
57	PH3141057	SPRING
58	PH3141058	SHAFT
59	PH3141059	BASE PLATE
60	PH3141060	BASE PLATE
61	PHTEK8	TAP SCREW #8 X 1/2"
62	PH3141062	DUST COLLECTION BAG
63	PH3141063	DUST COLLECTOR
64	PH3141064	WIRE
65	PH3141065	SPANNER
66	PS07M	PHLP HD SCR M4-0.7 X 8
67	PH3141067	LOCK KNOB
68	PH3141068	SPECIAL BOLT M6-1.0 X 24
69	PH3141069	BUSHING
70	PH3141070	DEPTH GAUGE
71	PH3141071	FIXATION FRAME
72	PH3141072	BUSHING
73	PH3141073	KNOB BOLT M6-1.0 X 10
74	PCB5M	CARRIAGE BOLT M6-1.0 X 12
75	PH3141075	BAFFLE
76	PWN01M	WING NUT M6-1.0

NOTES

NOTES

NOTES

WARRANTY AND RETURNS

Grizzly Industrial, Inc. warrants every product it sells for a period of **1 year** to the original purchaser from the date of purchase. This warranty does not apply to defects due directly or indirectly to misuse, abuse, negligence, accidents, repairs or alterations or lack of maintenance. This is Grizzly's sole written warranty and any and all warranties that may be implied by law, including any merchantability or fitness, for any particular purpose, are hereby limited to the duration of this written warranty. We do not warrant or represent that the merchandise complies with the provisions of any law or acts unless the manufacturer so warrants. In no event shall Grizzly's liability under this warranty exceed the purchase price paid for the product and any legal actions brought against Grizzly shall be tried in the State of Washington, County of Whatcom.

We shall in no event be liable for death, injuries to persons or property or for incidental, contingent, special, or consequential damages arising from the use of our products.

To take advantage of this warranty, contact us by mail or phone and give us all the details. We will then issue you a "Return Authorization Number," which must be clearly posted on the outside as well as the inside of the carton. We will not accept any item back without this number. Proof of purchase must accompany the merchandise.

The manufacturers reserve the right to change specifications at any time because they constantly strive to achieve better quality equipment. We make every effort to ensure that our products meet high quality and durability standards and we hope you never need to use this warranty.

Please feel free to write or call us if you have any questions about the machine or the manual.

Grizzly Industrial, Inc.
1203 Lycoming Mall Circle
Muncy, PA 17756
Phone: (570) 546-9663
Fax: (800) 438-5901

E-Mail:
techsupport@grizzly.com

Web Site: <http://www.grizzly.com>

Thank you again for your business and continued support. We hope to serve you again soon!

WARRANTY CARD

Name _____

Street _____

City _____ State _____ Zip _____

Phone Number _____ E-Mail _____ FAX _____

Model # _____ Serial # _____

The following information is given on a voluntary basis. It will be used for marketing purposes to help us develop better products and services. Of course, all information is strictly confidential.

1. How did you learn about us?

- Advertisement Friend
 Catalog Card Deck
 World Wide Web
 Other _____

2. What is your annual household income?

- \$20,000-\$29,999 \$60,000-\$69,999
 \$30,000-\$39,999 \$70,000-\$79,999
 \$40,000-\$49,999 \$80,000-\$89,999
 \$50,000-\$59,999 \$90,000 +

3. What is your age group?

- 20-29 50-59
 30-39 60-69
 40-49 70 +

4. How long have you been a woodworker?

- 0 - 2 Years 8 - 20 Years
 2 - 8 Years 20+ Years

5. How would you rank your woodworking skills?

- Simple Advanced
 Intermediate Master Craftsman

6. What stationary woodworking tools do you own?

Check all that apply.

- Air Compressor Panel Saw
 Band Saw Planer
 Drill Press Power Feeder
 Drum Sander Radial Arm Saw
 Dust Collector Shaper
 Spindle Sander Jointer
 Table Saw Lathe
 Mortiser Wide Belt Sander
 Horiz.Boring Machine
 Vacuum Veneer Press
 Other _____

7. How many of your woodworking machines are Grizzly? _____

8. Which benchtop tools do you own? Check all that apply.

- 1"x42" Belt Sander 6" - 8" Grinder
 5" - 8" Drill Press Mini Lathe
 8" Table Saw 8" - 10" Bandsaw
 Scroll Saw Disc/Belt Sander
 Spindle/Belt Sander Mini Jointer
 10"-12" Thickness Planer
 Other _____

9. How many of the machines checked above are Grizzly? _____

10. Which portable/hand held power tools do you own?

Check all that apply.

- Belt Sander Orbital Sander
 Biscuit Joiner Palm Sander
 Circular Saw Portable Planer
 Detail Sander Saber Saw
 Drill/Driver Reciprocating Saw
 Miter Saw Router
 Other _____

11. What machines/supplies would you like Grizzly Industrial to carry?

12. What new accessories would you like Grizzly Industrial to carry?

13. What other companies do you purchase your tools and supplies from?

14. Do you think your purchase represents good value?

- Yes No

15. Would you recommend Grizzly to a friend?

- Yes No

16. Would you allow us to use your name as a reference for Grizzly customers in your area? **Note: We never use names more than three times.**

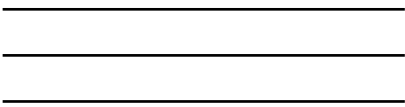
- Yes No

17. Comments: _____

Send a Grizzly Catalog to a friend:

Name_____
Street_____
City_____State_____Zip_____

FOLD ALONG DOTTED LINE



Place
Stamp
Here



GRIZZLY INDUSTRIAL, INC.
P.O. BOX 2069
BELLINGHAM, WA 98227-2069



TAPE ALONG EDGES--PLEASE DO NOT NAIL

Free Manuals Download Website

<http://myh66.com>

<http://usermanuals.us>

<http://www.somanuals.com>

<http://www.4manuals.cc>

<http://www.manual-lib.com>

<http://www.404manual.com>

<http://www.luxmanual.com>

<http://aubethermostatmanual.com>

Golf course search by state

<http://golfingnear.com>

Email search by domain

<http://emailbydomain.com>

Auto manuals search

<http://auto.somanuals.com>

TV manuals search

<http://tv.somanuals.com>