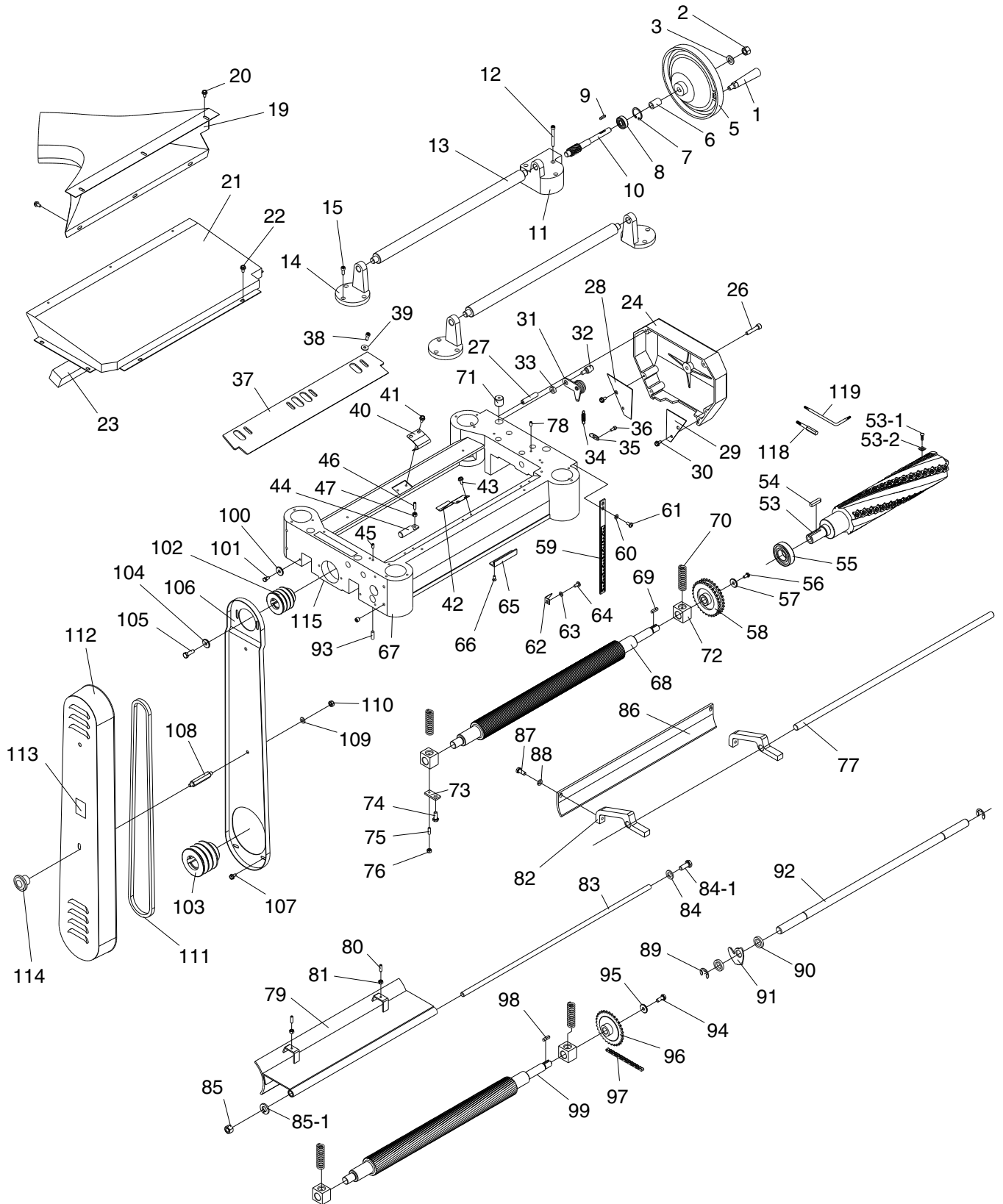


# Headstock Breakdown



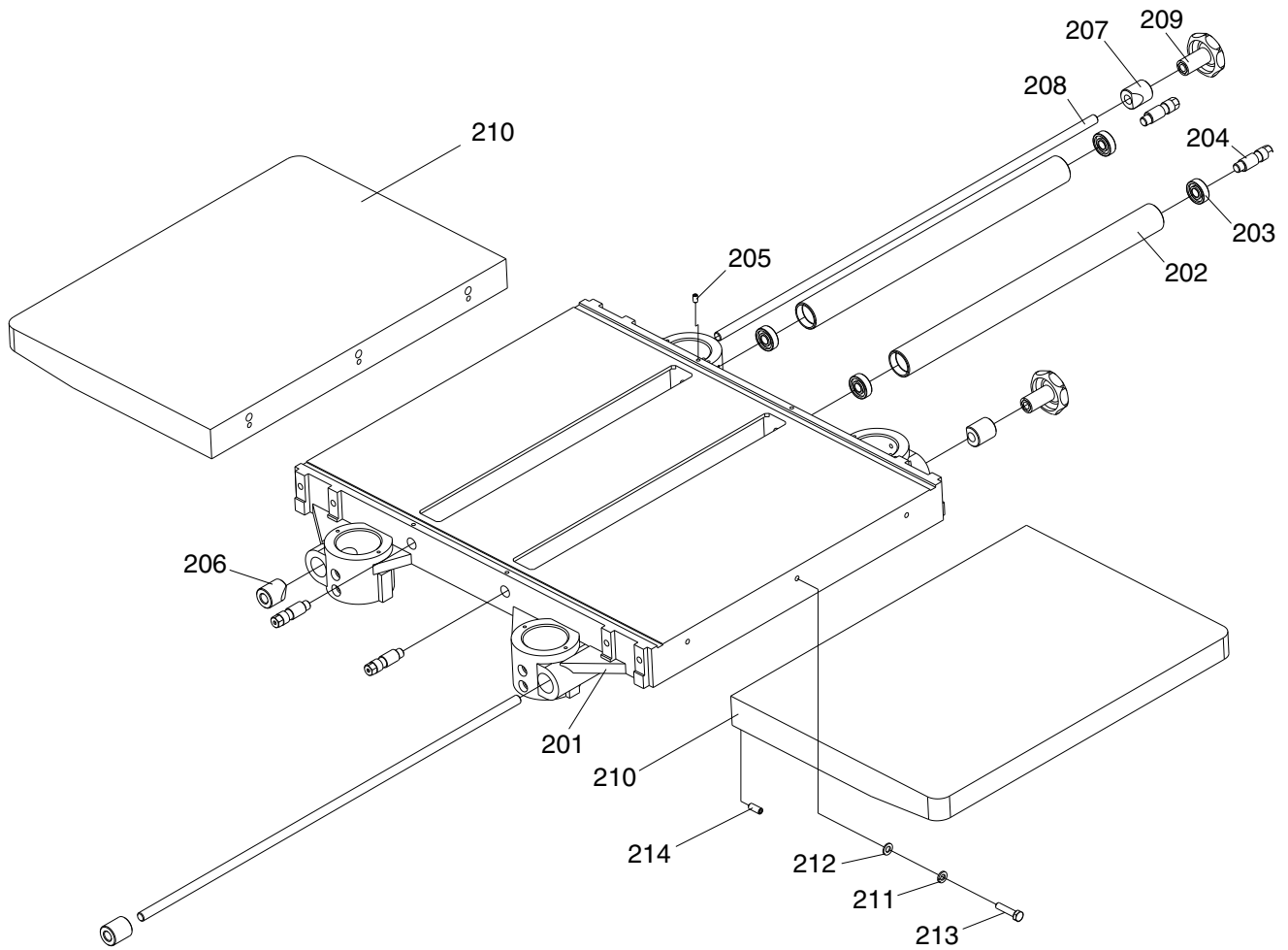
# Headstock Parts List

REF	PART #	DESCRIPTION
1	P0453Z001	HANDLE
2	PN09M	HEX NUT M12-1.75
3	PW06M	FLAT WASHER 12MM
5	P0453Z005	HANDWHEEL
6	P0453Z006	HANDWHEEL COLLAR
7	PR29M	INT RETAINING RING 32MM
8	P6201	BALL BEARING 6201ZZ
9	PK48M	KEY 4 X 4 X 20
10	P0454Z010	WORM GEAR
11	P0454Z011	WORM HOUSING
12	PSB137M	CAP SCREW M5-.8 X 55
13	P0454Z013	ROLLER
14	P0454Z014	ROLLER STAND
15	PSB01M	CAP SCREW M6-1 X 16
19	P0454Z019	DUST HOOD
20	PFB01M	FLANGE BOLT M6-1 X 12
21	P0454Z021	UPPER COVER
22	PFB01M	FLANGE BOLT M6-1 X 12
23	P0454Z023	TOP COVER GASKET
24	P0454Z024	GEAR BOX COVER
26	PSB12M	CAP SCREW M8-1.25 X 40
27	PRP07M	ROLL PIN 6 X 20
28	P0454Z028	SAFETY HATCH (R)
29	P0454Z029	SAFETY HATCH (F)
30	PFB09M	FLANGE BOLT M6-1 X 10
31	P0453Z033	IDLER PULLEY/BACKET ASSY
32	P0453Z034	IDLER MOUNTING SHAFT
33	P0453Z035	IDLE BRACKET COLLAR
34	P0453Z036	EXTENSION SPRING
35	P0453Z037	HANGER
36	PSB04M	CAP SCREW M6-1 X 10
37	P0454Z037	CHIP DEFLECTOR PLATE
38	PFB10M	FLANGE BOLT M6-1 X 15
39	PW03M	FLAT WASHER 6MM
40	P0454Z040	PLATE SPRING
41	PFB01M	FLANGE BOLT M6-1 X 12
42	P0454Z042	PLATE SPRING
43	PFB01M	FLANGE BOLT M6-1 X 12
44	P0454Z044	ADJUSTING SHAFT
45	PSS04M	SET SCREW M6-1 X 12
46	PSS25M	SET SCREW M6-1 X 20
47	PN01M	HEX NUT M6-1
53	P0454Z053	SPIRAL CUTTERHEAD ASSY
53-1	PFH35M	FLAT HD TORX SCR T20 M6-1 X 15
53-2	P0452Z002	INDEXABLE INSERT 14 x 14 x 2
54	PK129M	KEY 8 X 8 X 36
55	P6206	BALL BEARING 6206ZZ
56	PB83M	HEX BOLT M6-1 X 16
57	PW03M	FLAT WASHER 6MM
58	P0454Z058	OUTFEED ROLLER SPROCKET
59	P0453Z054	SCALE
60	PW03M	FLAT WASHER 6MM
61	PS14M	PHLP HD SCR M6-1 X 12
62	P0454Z062	CUT LIMIT POINTER
63	PW03M	FLAT WASHER 6MM
64	PS14M	PHLP HD SCR M6-1 X 12

REF	PART #	DESCRIPTION
65	P0453Z060	CUT LIMITER PLATE
66	PB107M	HEX BOLT M5-.8 X 12
67	P0454Z067	HEAD CASTING
68	P0454Z068	OUTFEED ROLLER
69	PK01M	KEY 5 X 5 X 22
70	P0453Z065	COMPRESSION SPRING
71	P0453Z066	SPECIAL OILER SET SCREW
72	P0454Z072	FEED ROLLER BLOCK
73	P0454Z073	PLATE
74	PB09M	HEX BOLT M8-1.25 X 20
75	PSS25M	SET SCREW M6-1 X 20
76	PN01M	HEX NUT M6-1
77	P0454Z077	PRESSURE PLATE SHAFT
78	PSS11M	SET SCREW M6-1 X 16
79	P0454Z079	CHIP BREAKER
80	PSS25M	SET SCREW M6-1 X 20
81	PN01M	HEX NUT M6-1
82	P0454Z082	CHIP BREAKER BRACKET
83	P0454Z083	LOCKING ROD
84	PW01M	FLAT WASHER 8MM
84-1	PB06M	HEX BOLT M8-1.25 X 12
85	PN09M	HEX NUT M12-1.75
85-1	PW01M	FLAT WASHER 8MM
86	P0454Z086	PRESSURE PLATE
87	PB09M	HEX BOLT M8-1.25 X 20
88	PLW04M	LOCK WASHER 8MM
89	PEC05M	E-CLIP 15MM
90	P0453Z083	ANTI-KICKBACK SHAFT COLLAR
91	P0453Z084	ANTI-KICKBACK FINGER
92	P0454Z092	ANTI-KICKBACK FINGER SHAFT
93	PSS14M	SET SCREW M8-1.25 X 12
94	PB83M	HEX BOLT M6-1 X 16
95	PW03M	FLAT WASHER 6MM
96	P0454Z096	INFEED ROLLER SPROCKET
97	P0454Z097	CHAIN 06B-1 X 67
98	PK01M	KEY 5 X 5 X 22
99	P0454Z099	INFEED ROLLER
100	PW03M	FLAT WASHER 6MM
101	PB02M	HEX BOLT M6-1 X 12
102	P0454Z102	CUTTERHEAD PULLEY
103	P0454Z103	MOTOR PULLEY
104	P0454Z104	SPECIAL WASHER
105	PB07M	HEX BOLT M8-1.25 X 25
106	P0453Z099	BELT GUARD
107	PFB09M	FLANGE BOLT M6-1 X 10
108	P0454Z108	SPECIAL BOLT
109	PW01M	FLAT WASHER 8MM
110	PN03M	HEX NUT M8-1.25
111	PVMX60	COGGED V-BELT MX-60
112	P0453Z104	BELT COVER
113	P0453Z105	DON'T REMOVE COVER LABEL
114	P0453Z106	STAR KNOB M8-1.25
115	P0453Z107	OIL LEVEL LABEL
118	P0452Z001	DRIVER BIT TORX T20
119	P0452Z009	L-WRENCH TORX T20



# Table Breakdown

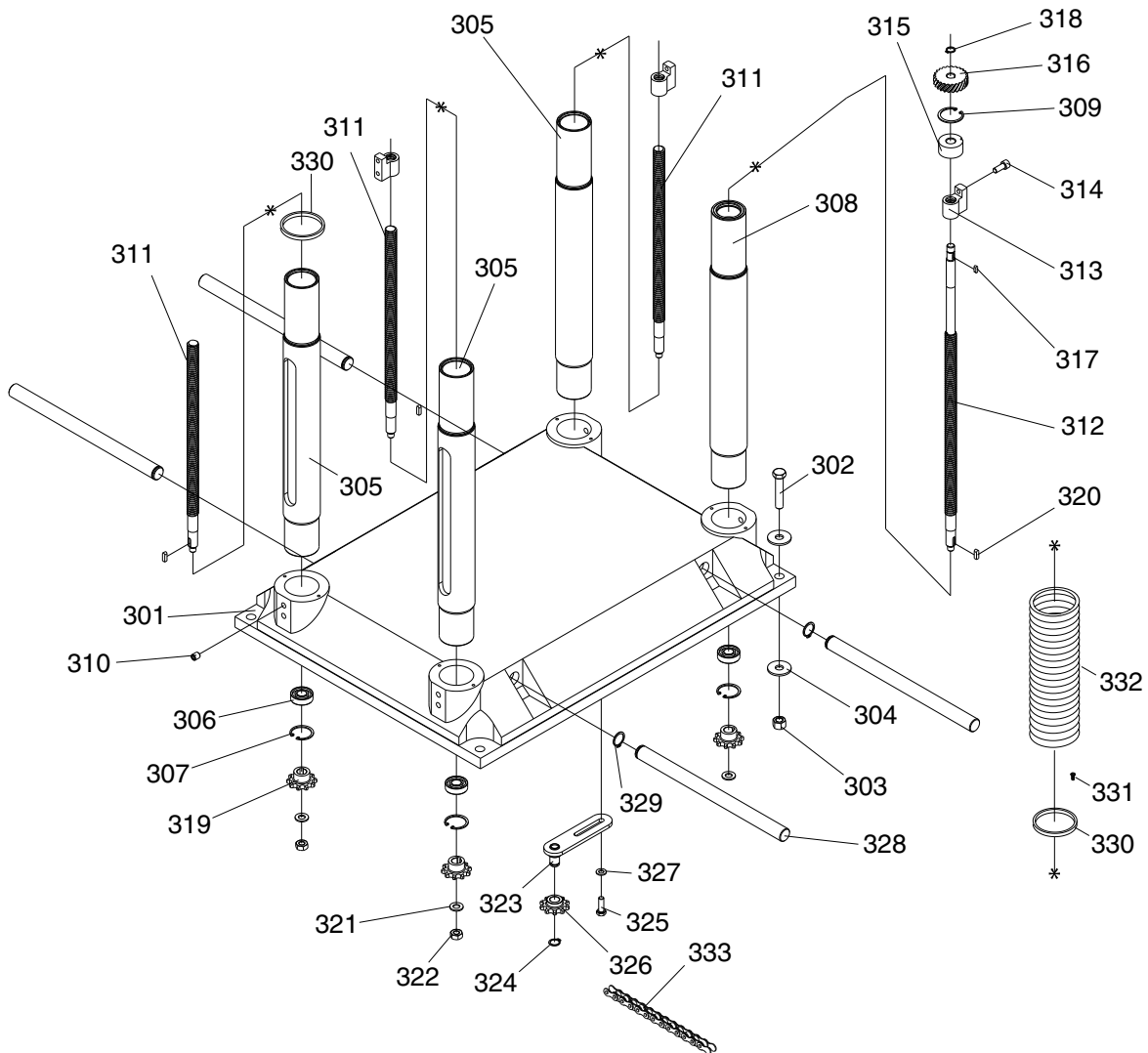


REF	PART #	DESCRIPTION
201	P0454Z201	TABLE/BED
202	P0454Z202	ROLLER
203	P6201	BALL BEARING 6201ZZ
204	P0454Z204	ECCENTRIC SHAFT
205	PSS04M	SET SCREW M6-1 X 12
206	P0453Z206	GIB
207	P0453Z207	WEDGE DOG

REF	PART #	DESCRIPTION
208	P0453Z208	LOCK BAR
209	P0453Z209	FEMALE KNOB M12-1.75
210	P0454Z210	EXTENSION WING
211	PLW04M	LOCK WASHER 8MM
212	PW01M	FLAT WASHER 8MM
213	PB20M	HEX BOLT M8-1.25 X 35
214	PSS09M	SET SCREW M8-1.25 X 20



# Columns Breakdown

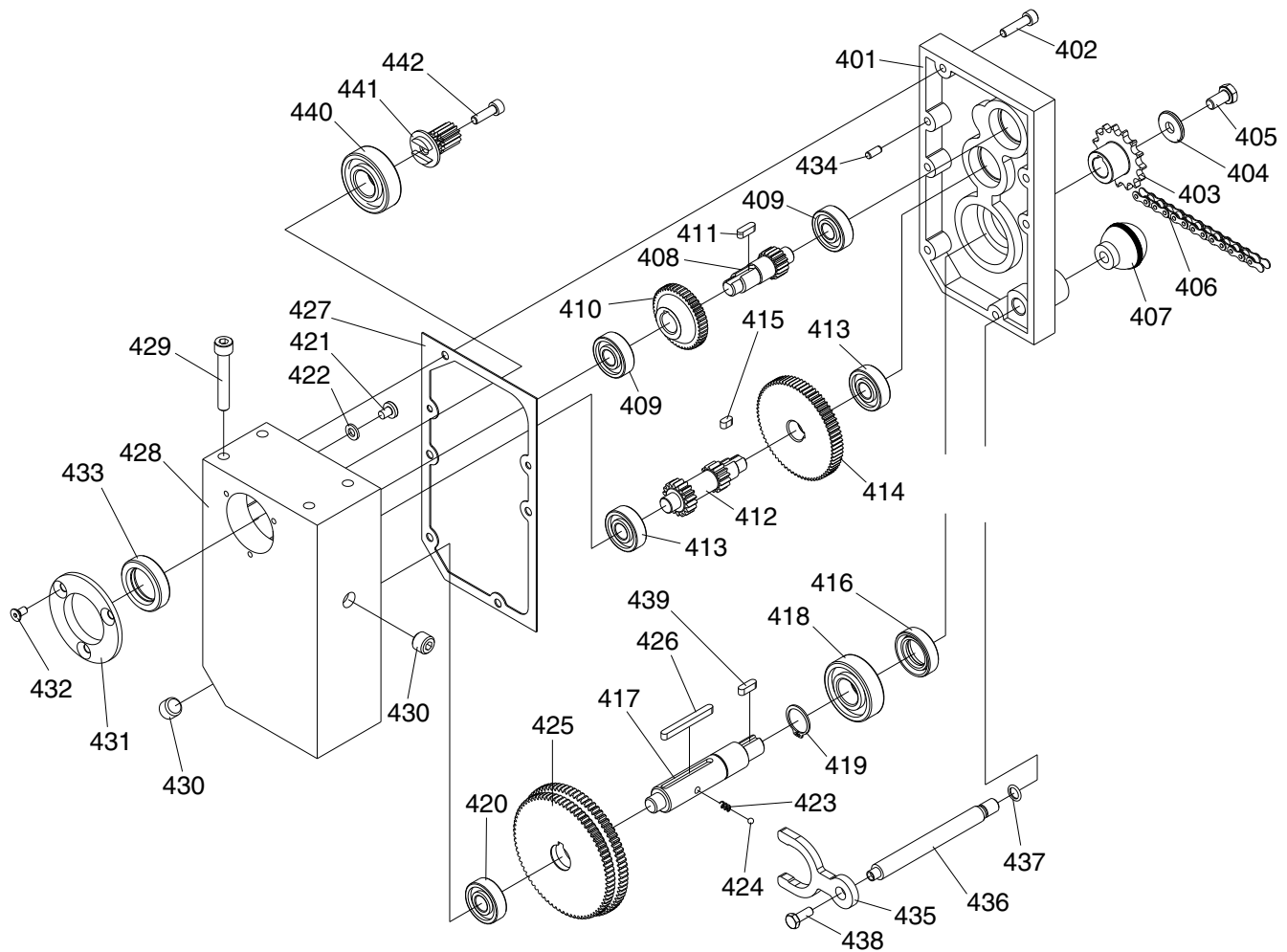


REF	PART #	DESCRIPTION
301	P0454Z301	BASE
302	PB38M	HEX BOLT M12-1.75 X 60
303	PN09M	HEX NUT M12-1.75
304	PW06M	FLAT WASHER 12MM
305	P0454Z305	COLUMN (A)
306	P6202	BALL BEARING 6202ZZ
307	PR21M	INT RETAINING RING 35MM
308	P0454Z308	COLUMN (B)
309	PR22M	INT RETAINING RING 38MM
310	PSS13M	SET SCREW M10-1.5 X 12
311	P0454Z311	LEAD SCREW (A)
312	P0454Z312	LEAD SCREW (B)
313	P0454Z313	LEAD NUT
314	PSB14M	CAP SCREW M8-1.25 X 20
315	P0454Z315	LEADSCREW BUSHING
316	P0454Z316	COLUMN GEAR
317	PK69M	KEY 4 X 4 X 12

REF	PART #	DESCRIPTION
318	PR03M	EXT RETAINING RING 12MM
319	P0454Z319	TABLE LIFTING SPROCKET
320	PK08M	KEY 5 X 5 X 16
321	PW04M	FLAT WASHER 10MM
322	PN02M	HEX NUT M10-1.5
323	P0454Z323	IDLER BRACKET ASSY
324	PR05M	EXT RETAINING RING 15MM
325	PB07M	HEX BOLT M8-1.25 X 25
326	P0454Z326	IDLER SPROCKET
327	PW01M	FLAT WASHER 8MM
328	P0454Z328	LIFTING POST
329	PR81M	EXT RETAINING RING 21MM
330	P0454Z330	PIPE BAND
331	PS09M	PHLP HD SCR M5-.8 X 10
332	P0454Z332	DUST BOOT
333	P0454Z333	CHAIN 08A-1 X 66



# Gearbox Breakdown

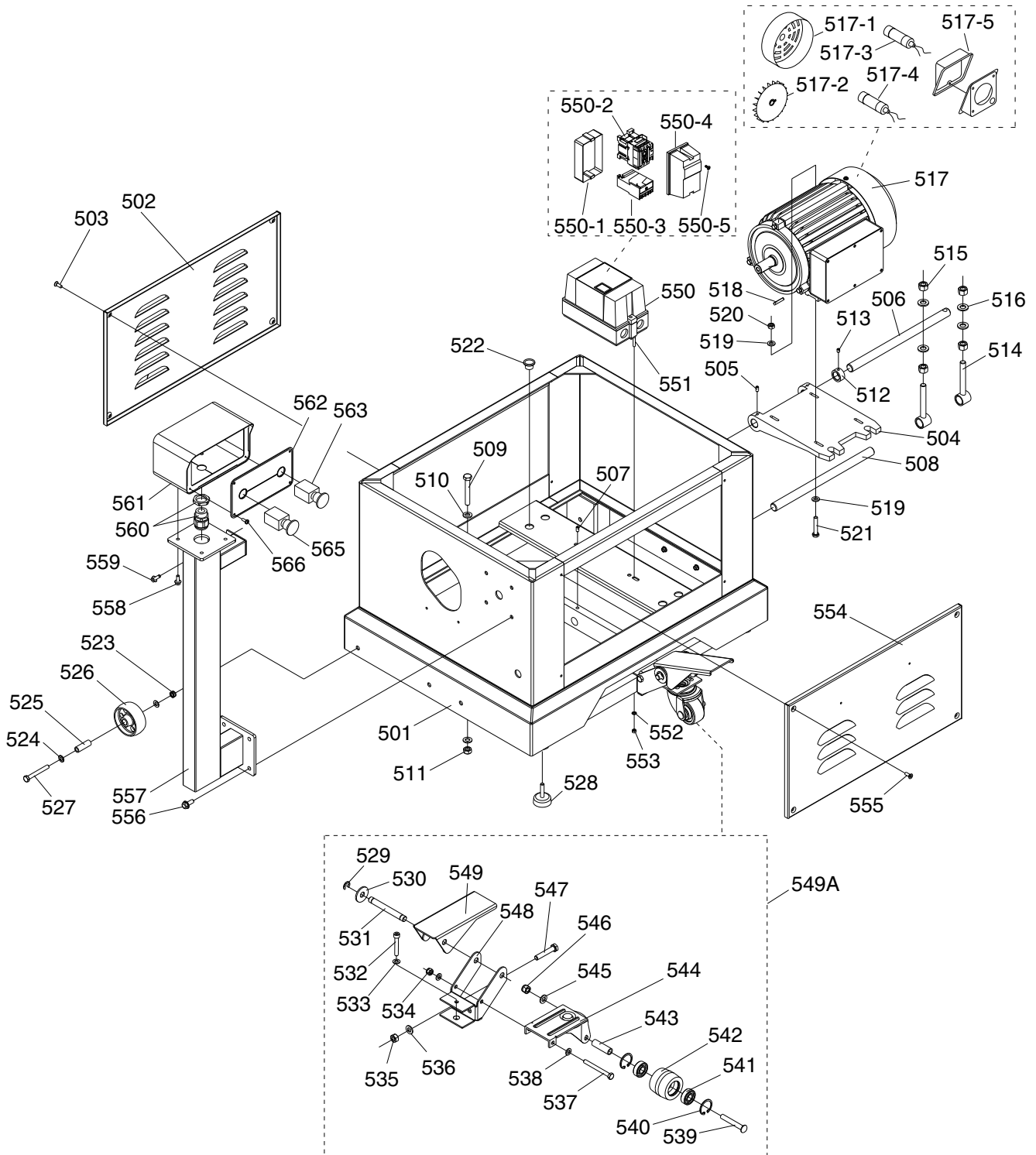


REF	PART #	DESCRIPTION
401	P0454Z401	GEAR BOX COVER
402	PSB06M	CAP SCREW M6-1 X 25
403	P0454Z403	GEARBOX SPROCKET
404	PW01M	FLAT WASHER 8MM
405	PB03M	HEX BOLT M8-1.25 X 16
406	P0453Z406	CHAIN 06B-1 X 51
407	P0454Z407	BALL KNOB M10-1.5
408	P0454Z408	GEAR SHAFT (A)
409	P6201	BALL BEARING 6201ZZ
410	P0454Z410	GEAR (A)
411	PK19M	KEY 5 X 5 X 14
412	P0454Z412	SHAFT (B)
413	P6201	BALL BEARING 6201ZZ
414	P0454Z414	GEAR (B)
415	PK06M	KEY 5 X 5 X 10
416	P0453Z416	OIL SEAL 20 X 35 X 7
417	P0454Z417	SHAFT (C)
418	P6204	BALL BEARING 6204ZZ
419	PR09M	EXT RETAINING RING 20MM
420	P6201	BALL BEARING 6201ZZ
421	PS03M	PHLP HD SCR M6-1 X 8

REF	PART #	DESCRIPTION
422	PW03M	FLAT WASHER 6MM
423	P0453Z423	COMPRESSION SPRING
424	P0453Z424	STEEL BALL 4MM
425	P0454Z425	GEAR (C)
426	PK36M	KEY 5 X 5 X 50
427	P0454Z427	GEARBOX COVER GASKET
428	P0454Z428	GEAR BOX
429	PSB05M	CAP SCREW M8-1.25 X 50
430	P0453Z430	OIL PLUG
431	P0453Z431	FLANGE COVER
432	PSB33M	CAP SCREW M5-.8 X 12
433	P0453Z433	OIL SEAL 25 X 40 X 10
434	P0453Z434	PIN 5 X 10
435	P0453Z435	SHIFT FORK
436	P0453Z436	HANDLE SHAFT
437	PORP016	O-RING 15.8 X 2.4 P16
438	PFB01M	FLANGE BOLT M6-1 X 12
439	PK08M	KEY 5 X 5 X 16
440	P6204	BALL BEARING 6204ZZ
441	P0454Z441	GEAR (D)
442	PSS25M	SET SCREW M6-1 X 20



# Stand Breakdown



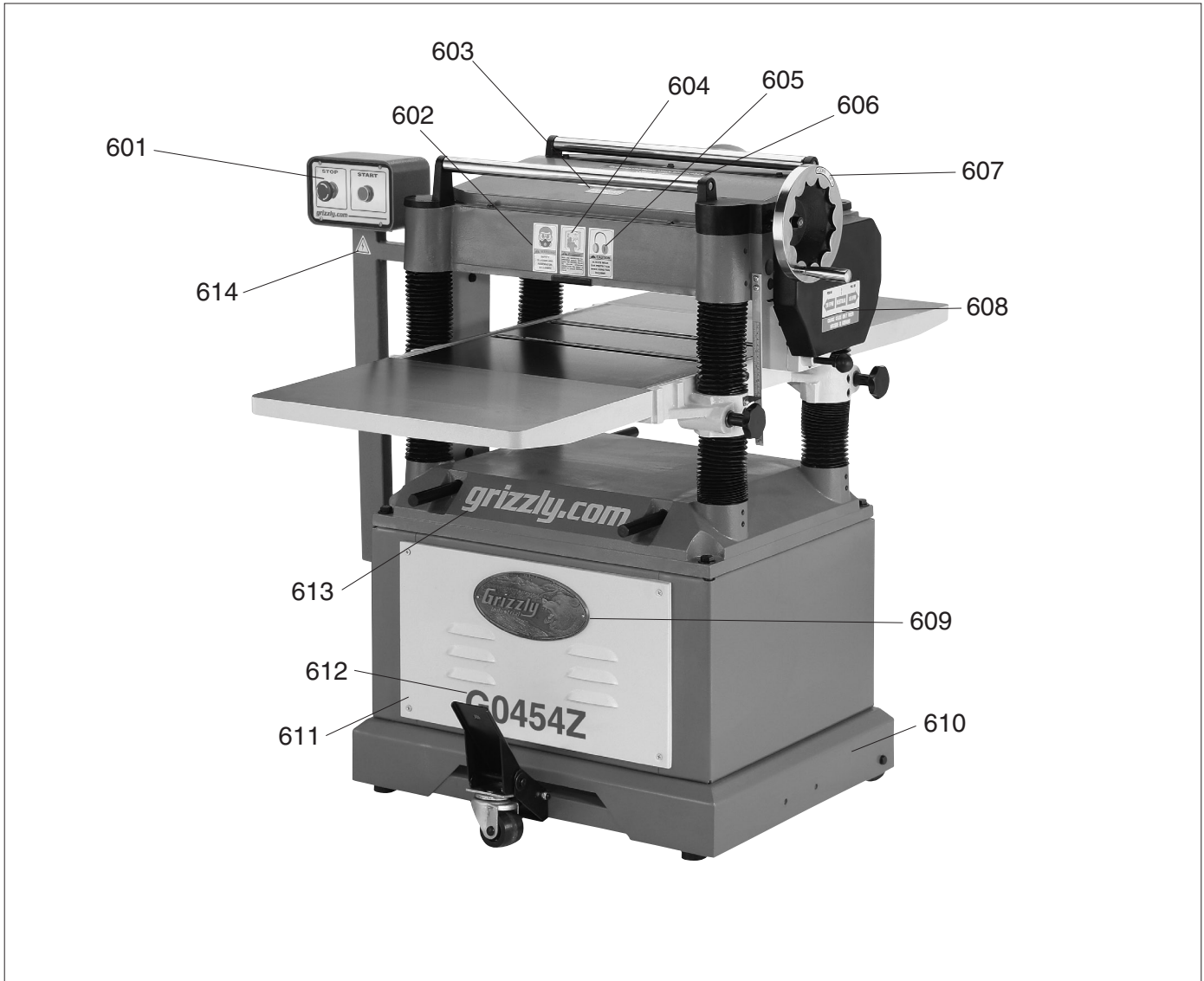
# Stand Breakdown

REF	PART #	DESCRIPTION
501	P0454Z501	ENCLOSED STAND
502	P0454Z502	BACK COVER
503	PFH06M	FLAT HD SCR M6-1 X 20
504	P0454Z504	MOTOR PLATE
505	PSS04M	SET SCREW M6-1 X 12
506	P0454Z506	PLATE CONNECTING ROD
507	PSS14M	SET SCREW M8-1.25 X 12
508	P0454Z508	PLATE CONNECTING ROD
509	PB160M	HEX BOLT M10-1.5 X 70
510	PW04M	FLAT WASHER 10MM
511	PN02M	HEX NUT M10-1.5
512	P0454Z512	MOTOR HINGE COLLAR
513	PSS03M	SET SCREW M6-1 X 8
514	P0454Z514	ADJUST BOLT
515	PN09M	HEX NUT M12-1.75
516	PW06M	FLAT WASHER 12MM
517	P0454Z517	MOTOR 5HP 220V
517-1	P0454Z517-1	FAN COVER
517-2	P0454Z517-2	MOTOR FAN
517-3	P0454Z517-3	S CAPACITOR 300M 300V 2 X 3-3/4
517-4	P0454Z517-4	R CAPACITOR 60M 400V 2 X 4-1/2
517-5	P0454Z517-5	JUNCTION BOX
518	PK12M	KEY 5 X 5 X 30
519	PW01M	FLAT WASHER 8MM
520	PN03M	HEX NUT M8-1.25
521	PB118M	HEX BOLT M8-1.25 X 45
522	P0454Z522	STRAIN RELIEF
523	P0453Z524	SPECIAL HEX NUT M8-1.25
524	PW01M	FLAT WASHER 8MM
525	P0453Z526	UNIVERSAL WHEEL SLEEVE
526	P0453Z527	UNIVERSAL WHEEL
527	PB86M	HEX BOLT M8-1.25 X 65
528	P0453Z529	RUBBER FOOT
529	PR16M	EXT RETAINING RING 9MM
530	PW06M	FLAT WASHER 12MM
531	P0453Z531	SHAFT 12MM
532	PB166M	HEX BOLT M8-1.25 X 50
533	PW01M	FLAT WASHER 8MM

REF	PART #	DESCRIPTION
534	P0453Z534	SPECIAL HEX NUT M8-1.25
535	PN02M	HEX NUT M10-1.5
536	PW04M	FLAT WASHER 10MM
537	PB45M	HEX BOLT M8-1.25 X 100
538	PW01M	FLAT WASHER 8MM
539	P0453Z539	SPECIAL BOLT
540	PR21M	INT RETAINING RING 35MM
541	P6202	BALL BEARING 6202ZZ
542	P0453Z542	TROLLEY WHEEL
543	P0453Z543	TROLLEY WHEEL SLEEVE
544	P0453Z544	TROLLEY UNIVERSAL KIT
545	PW04M	FLAT WASHER 10MM
546	P0453Z546	SPECIAL HEX NUT M10-1.5
547	PB144M	HEX BOLT M10-1.5 X 55
548	P0453Z548	PEDAL BRACKET
549	P0453Z549	PEDAL
549A	P0453Z549A	COMPLETE PEDAL ASSEMBLY
550	P0454Z550	COMPLETE MAG SWITCH MS1-35D
550-1	P0454Z550-1	SWITCH BACK COVER
550-2	P0454Z550-2	CONTACTOR NHD C25-D 220V
550-3	P0454Z550-3	OL RELAY NHD NTH-28 24-28A
550-4	P0454Z550-4	SWITCH FRONT COVER
550-5	P0454Z550-5	SWITCH BOX SCREW
551	PS06M	PHLP HD SCR M5-.8 X 20
552	PW02M	FLAT WASHER 5MM
553	PN06M	HEX NUT M5-.8
554	P0454Z554	FRONT COVER
555	PS107M	PHLP HD SCR M6-1 X 20
556	PB09M	HEX BOLT M8-1.25 X 20
557	P0453Z556	SUPPORT ARM
558	PB83M	HEX BOLT M6-1 X 16
559	PB83M	HEX BOLT M6-1 X 16
560	P0453Z559	BALL STRAIN RELIEF
561	P0453Z560	CONTROL BOX
562	P0453Z561	CONTROL PANEL
563	P0453Z562	ON BUTTON
565	P0453Z563	EMERGENCY STOP BUTTON
566	PHTEK6	TAP SCREW #10 X 3/8



# Labels Breakdown



REF	PART #	DESCRIPTION
601	P0453Z601	CONTROL PANEL LABEL
602	PLABEL-37	GLASSES/RESPIRATOR LABEL
603	P0454Z603	MACHINE ID LABEL
604	PLABEL-12A	READ MANUAL LABEL
605	PLABEL-15	HEARING PROTECTION LABEL
606	P0453Z606	CUTTERHEAD DANGER LABEL
607	P0453Z607	HANDWHEEL DIRECTION LABEL

REF	PART #	DESCRIPTION
608	P0454Z608	GEARBOX SPEED LABEL
609	P0453Z609	GRIZZLY LOGO PLATE
610	PPAINT-1	"GRIZZLY GREEN" PAINT
611	PPAINT-11	"PUTTY" PAINT
612	P0454Z612	G0454Z MODEL # LABEL
613	P0453Z613	GRIZZLY.COM LABEL
614	PLABEL-14	ELECTRICITY LABEL

## WARNING

Safety labels warn about machine hazards and ways to prevent injury. The owner of this machine **MUST** maintain the original location and readability of the labels on the machine. If any label is removed or becomes unreadable, **REPLACE** that label before using the machine again. Contact Grizzly at (800) 523-4777 or [www.grizzly.com](http://www.grizzly.com) to order new labels.



## Free Manuals Download Website

<http://myh66.com>

<http://usermanuals.us>

<http://www.somanuals.com>

<http://www.4manuals.cc>

<http://www.manual-lib.com>

<http://www.404manual.com>

<http://www.luxmanual.com>

<http://aubethermostatmanual.com>

Golf course search by state

<http://golfingnear.com>

Email search by domain

<http://emailbydomain.com>

Auto manuals search

<http://auto.somanuals.com>

TV manuals search

<http://tv.somanuals.com>