

Grizzly *Industrial, Inc.*®

MODEL H8226 5 GALLON AUTOMATIC MIXING PAINT TANK INSTRUCTION MANUAL



COPYRIGHT © SEPTEMBER, 2007 BY GRIZZLY INDUSTRIAL, INC.
**WARNING: NO PORTION OF THIS MANUAL MAY BE REPRODUCED IN ANY SHAPE
OR FORM WITHOUT THE WRITTEN APPROVAL OF GRIZZLY INDUSTRIAL, INC.**
#JM9939 PRINTED IN CHINA



WARNING!

This manual provides critical safety instructions on the proper setup, operation, maintenance and service of this machine/equipment.

Failure to read, understand and follow the instructions given in this manual may result in serious personal injury, including amputation, electrocution or death.

The owner of this machine/equipment is solely responsible for its safe use. This responsibility includes but is not limited to proper installation in a safe environment, personnel training and usage authorization, proper inspection and maintenance, manual availability and comprehension, application of safety devices, blade/cutter integrity, and the usage of personal protective equipment.

The manufacturer will not be held liable for injury or property damage from negligence, improper training, machine modifications or misuse.



WARNING!

Some dust created by power sanding, sawing, grinding, drilling, and other construction activities contains chemicals known to the State of California to cause cancer, birth defects or other reproductive harm. Some examples of these chemicals are:

- **Lead from lead-based paints.**
- **Crystalline silica from bricks, cement and other masonry products.**
- **Arsenic and chromium from chemically-treated lumber.**

Your risk from these exposures varies, depending on how often you do this type of work. To reduce your exposure to these chemicals: Work in a well ventilated area, and work with approved safety equipment, such as those dust masks that are specially designed to filter out microscopic particles.

SAFETY

WARNING

For Your Own Safety Read Instruction Manual Before Operating This Equipment

The purpose of safety symbols is to attract your attention to possible hazardous conditions. This manual uses a series of symbols and signal words which are intended to convey the level of importance of the safety messages. The progression of symbols is described below. Remember that safety messages by themselves do not eliminate danger and are not a substitute for proper accident prevention measures.



Indicates an imminently hazardous situation which, if not avoided, **WILL** result in death or serious injury.



Indicates a potentially hazardous situation which, if not avoided, **COULD** result in death or serious injury.



Indicates a potentially hazardous situation which, if not avoided, **MAY** result in minor or moderate injury. It may also be used to alert against unsafe practices.

NOTICE

This symbol is used to alert the user to useful information about proper operation of the equipment.

WARNING

Safety Instructions for Pneumatic Tools

- 1. READ THIS MANUAL.** This tool may cause personal injury if used incorrectly. This manual contains proper safety and operating instructions that must be followed to reduce this risk.
- 2. WEAR EYE PROTECTION.** This tool may throw small fragments during operation, which may cause serious eye injury. Always wear ANSI approved safety glasses or face shield to reduce your risk from this hazard.
- 3. WEAR A RESPIRATOR.** This tool may produce fine dust during operation, which can cause respiratory injury if inhaled. Always wear a respirator NIOSH approved for the type of material being processed.
- 4. WEAR HEARING PROTECTION.** Operating this tool for prolonged time periods may damage your hearing. Your risk depends on length and frequency of use. To reduce your risk of this hazard, wear hearing protection.
- 5. MAINTAIN SAFETY GUARDS.** Your tool may be equipped with safety guards or other structural components designed to reduce the risk of injury during operation. Never modify or operate this tool with any guards or components removed or damaged.
- 6. KEEP CHILDREN AWAY.** Prevent children from injury by keeping them away from this tool. Disconnect and lock the tool away when not in use.

7. **AVOID ENTANGLEMENTS.** Do not wear loose clothing, gloves, neckties, rings, bracelets, or other jewelry, which may get caught in moving parts, when operating this tool. Wear a protective hair covering to contain long hair.
8. **USE CORRECT AIR PRESSURE.** Exceeding the maximum PSI rating of this tool may cause unpredictable operation or bursting.
9. **DISCONNECT AIR PRESSURE** before servicing, changing accessories, or moving to another location. Never leave this tool unattended when connected to air.
10. **SECURE TOOLING.** Always verify tooling is secure before operation.
11. **SHARP SURFACES.** DO NOT place hands near the tooling surfaces when in operation.
12. **REMOVE ADJUSTING KEYS AND WRENCHES AFTER USE.** These tools become dangerous projectiles if left on the tool when it is started.
13. **AVOID FLAMMABLES.** Do not use this tool around any flammables that may be ignited by sparks.
14. **SECURE WORK.** Use clamps or a vise to hold work when practical. It is safer than using your hand and frees both hands to operate tool.
15. **MAINTAIN TOOLS WITH CARE.** Keep tools lubricated and clean for best and safest performance. Follow instructions for lubricating and changing accessories.
16. **DO NOT FORCE TOOL.** It will do the job better and safer at the rate for which it was designed.
17. **CHECK FOR DAMAGED PARTS BEFORE USING.** Check for binding and alignment of parts, broken parts, part mounting, loose bolts, and any other conditions that may affect operation. Repair or replace damaged parts before operating.
18. **USE GOOD LIGHTING.** Keep work area well lighted. Dark work areas increase risk of accidental injury.
19. **AVOID UNINTENTIONAL OPERATION.** Always disconnect air when not in use, and do not carry tool with hand on trigger.
20. **USE THE RECOMMENDED ACCESSORIES.** Consult owner's manual for recommended accessories. Using improper accessories may increase the risk of injury.
21. **NEVER ALLOW UNTRAINED USERS TO USE THIS TOOL WHILE UNSUPERVISED.**
22. **IF YOU ARE UNSURE OF THE INTENDED OPERATION, STOP USING TOOL.** Seek formal training or research books or magazines that specialize in pneumatic tools.
23. **BE AWARE OF HOSE LOCATION.** Hoses can easily become a tripping hazard when laid across the floor in a disorganized fashion.
24. **DO NOT USE UNDER THE INFLUENCE OF DRUGS OR ALCOHOL, OR WHEN TIRED.**

WARNING

Additional Safety Instructions for Paint Tanks

- 1. READ THIS MANUAL.** This manual contains proper operating instructions for this paint tank.
- 2. DESIGN MODIFICATIONS.** Do not modify the tank design or construction. Drilling into the tank or weld attachments, or altering its design, could weaken the tank.
- 3. CLEANING AND MAINTENANCE.** Clean and dry the tank and lid according to the instructions in this manual. Make sure all ports are free of hardened paint or other materials that could prevent free movement of air. Improper cleaning could allow pressure to rise to dangerous levels.
- 4. REACTIVE CHEMICALS.** Do not use acids, caustic solutions, or halogenated hydrocarbon solvents. These chemicals can attack the lid gasket and safety valve seal, compromising the ability of the tank to hold pressure.
- 5. SAFETY VALVE MODIFICATIONS.** Never adjust the safety valve to change its pressure setting or defeat its function. Tampering with the safety valve could allow tank pressure to rise to dangerous levels.
- 6. REMOVING LID.** Do not try to remove the lid while the tank is under pressure, or you could cause an explosion. Follow the instructions in this manual for relieving pressure in the tank before removing the lid.
- 7. LID CLAMPS.** Overtightening the lid clamps could cause them to weaken and fail, resulting in the lid propelling violently from the tank. Only tighten the clamps by hand. Do not use tools to tighten them.
- 8. NON-STANDARD COMPONENTS.** Substituting non-standard components could weaken the tank or cause component failure. Only use components provided with your tank.
- 9. ATTACHMENTS.** Make sure equipment connected to the tank has a higher pressure rating than the regulated air pressure in the tank. Attachments with a pressure rating lower than the adjusted tank pressure could explode, resulting in serious personal injury.

CAUTION

No list of safety guidelines is complete, because every work environment is different. Always consider safety first and use common sense. Failure to use this tool with caution and respect could result in serious personal injury.

INTRODUCTION

Foreword

The specifications, details, and photographs in this manual represent the Model H8226 as supplied when the manual was prepared. However, owing to Grizzly's policy of continuous improvement, changes may be made at any time with no obligation on the part of Grizzly.

If you have any comments regarding this manual, please write to us at the following address:

Grizzly Industrial, Inc.
C/O Technical Documentation
P.O. Box 2069
Bellingham, WA 98227-2069
E-Mail: manuals@grizzly.com

Most importantly, we stand behind our tools. If you have any service questions or parts requests, please call or write us at the location listed below.

Grizzly Industrial, Inc.
1203 Lycoming Mall Circle
Muncy, PA 17756
Phone: (570) 546-9663
Fax: (800) 438-5901
E-Mail: techsupport@grizzly.com
Web Site: <http://www.grizzly.com>

Specifications

Material Capacity.....5 Gallons
Operating Pressure20–30 PSI
Maximum Operating Pressure.....50 PSI
Rotate Method.....Automatic Mixing
Weight.....44 lbs

SETUP

Unpacking

Your paint tank was carefully packaged for safe shipping. If you discover any damage after you have signed for delivery, *immediately call Customer Service at (570) 546-9663 for advice.*

Save the containers and all packing materials for possible inspection by the carrier or its agent. *Otherwise, filing a freight claim can be difficult.*

When you are completely satisfied with the condition of the shipment, you should inventory the contents.

Inventory

H8226 Inventory.....	Qty
A. Paint Tank 5 Gallon.....	1
B. Lid Assembly.....	1
C. Barbed Compression Hose Fitting	1
D. Machined Compression Hose Fitting 1	
E. Compression Nut $\frac{1}{4}$ " NPT	1
F. Compression Nut $\frac{3}{8}$ " NPT.....	1
G. Casters	4

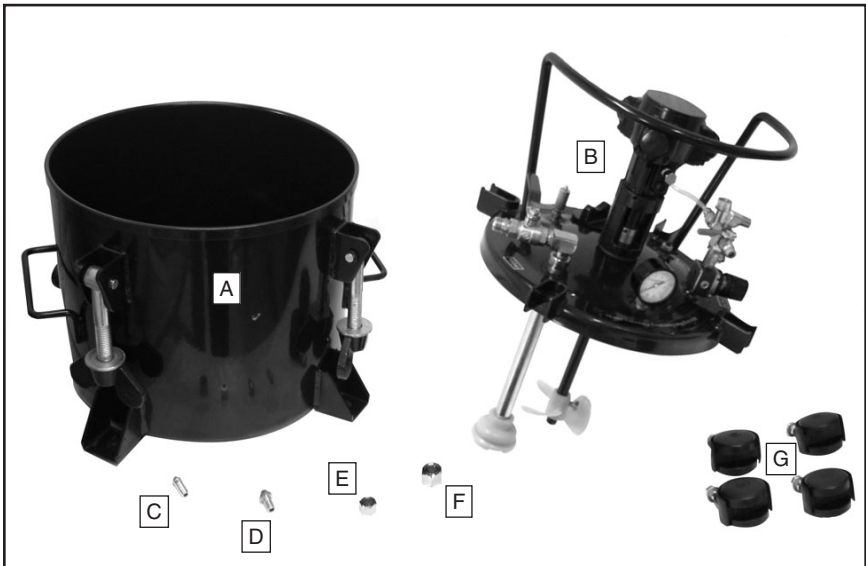


Figure 1. Model H8226 Inventory.

Tank Assembly

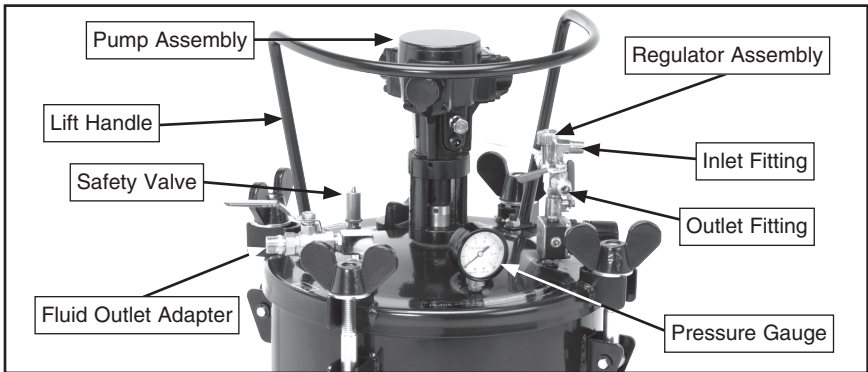


Figure 2. Lid assembly identification.

To assemble the paint tank:

1. Attach the casters to the bottom of the paint tank.
2. Connect a $\frac{1}{4}$ NPT air supply hose (not included), to the inlet fitting on the regulator (Figure 2).
3. Connect the machined compression hose fitting and the $\frac{3}{8}$ " NPT compression nut to the fluid outlet adaptor.
4. Connect the material hose (not included), to the fluid outlet adapter.
5. Connect the barbed compression hose fitting and the $\frac{1}{4}$ " NPT compression nut to the outlet fitting.
6. Attach the atomization air hose (not included), to the air outlet fitting on the regulator.

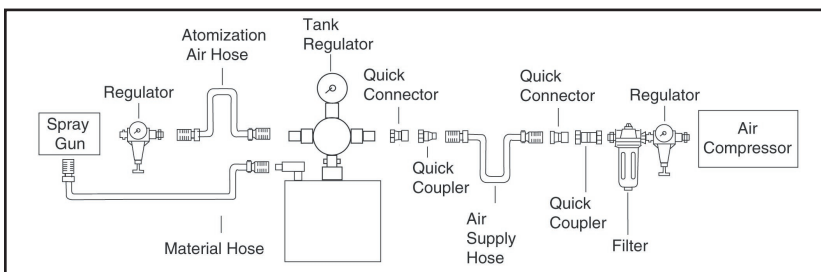


Figure 3. Paint tank connect to air compressor and spray gun.

Install a pressure regulator (not included), between the tank regulator assembly (Figure 3) and the spray gun.

Figure 3 depicts the paint tank connected to a compressed air system with a filter/regulator unit and a spray gun.

The filter/regulator unit will protect your tool from damaging water build-up, and allow you to adjust and maintain regulated air pressure. If you plan on installing a filter/regulator unit in your compressed air system, always follow the connection instructions that come with the unit.

Tank Regulator

The pressure regulator on the paint tank controls the amount of pressure applied to the paint in the paint tank. It also controls the pressure of paint delivered to the spray gun.

The following are operating guidelines for internal and external spray guns:

Internal Mix Guns: Use higher tank pressures up to the full amount of air pressure being delivered to the spray gun. However, do not exceed 45 PSI at the spray gun or in the paint tank.

External Mix Guns: Use lower tank pressures—approximately 12 PSI for most external mix guns. Start with the tank at "zero" pressure and increase pressure gradually until the correct spray pattern is achieved.

!WARNING

Do not exceed the 50 PSI maximum operating pressure on your paint tank. Exceeding the maximum pressure may cause the tank to explode, causing serious personal injury.

NOTICE

This pressure tank is not designed for use with highly abrasive, corrosive, or rust inducing materials. If such materials are used, frequently and thoroughly clean all components to reduce the need to replace parts.

!DANGER



EXPLOSION HAZARD! DO NOT smoke or have any source of flame or spark near spraying. Vapors will explode if ignited.

!WARNING



RESPIRATORY HAZARD! Always use a NIOSH approved respirator when using spray equipment. Failure to protect your lungs can lead to respiratory illness and nervous system damage. Spraying some paints and varnishes may require a supplied air respirator system.

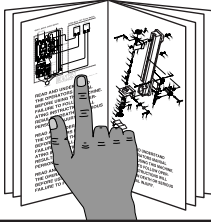
!WARNING



TOXIC FUMES! Always use an approved spray booth or well ventilated area when spraying. NEVER spray in a confined space where toxic fumes and flammable vapors can accumulate to deadly levels.

OPERATIONS

!WARNING



Read the manual before operation. Become familiar with this tool, its safety instructions, and its operation before beginning any work. Serious personal injury may result if safety or operational information is not understood or followed.

!WARNING

Like all tools there is potential danger when operating this tool. Accidents are frequently caused by lack of familiarity or failure to pay attention. If normal safety precautions are overlooked or ignored, serious personal injury may occur.

Tank Setup

To use your paint tank:

1. Thoroughly mix and strain your paint to remove undissolved particles that could block the flow of material to the gun.
2. Pour paint into the tank.
3. Place the lid assembly on the tank and evenly hand tighten the lid clamp butterfly nuts.
4. Adjust the regulator at your air compressor to 50 PSI.
5. Fully turn the paint tank regulator knob counterclockwise to shut **OFF** the tank regulator.
6. Connect the paint tank to the air compressor.
7. Adjust the paint tank to 20 PSI on the tank gauge. Normal operating tank pressure is 20–30 PSI. Using trial and error, adjust the paint tank as necessary between this range for optimum results.
8. Adjust the regulator at the spray gun.
9. Start by testing the spray gun at a low setting, then increase the air pressure as needed for satisfactory results.

CLEANING AND LUBRICATION

Proper cleaning is the best way to ensure trouble free performance from your paint tank. If your tank is not thoroughly cleaned, damage and poor operation will result. Problems caused by improper cleaning will not be covered by the warranty. Clean the tank immediately after each use.

To clean your paint tank:

1. DISCONNECT AIR SUPPLY FROM TANK!

! WARNING

EXPLOSION HAZARD! Removing the lid while the tank is pressurized could result in lid being thrown violently from tank, causing serious personal injury. Always shut off air pressure at source and bleed off all pressure in tank before removing lid.

2. Bleed out all tank pressure by loosening the pressure release valve (**Figure 4**) until air stops hissing out.

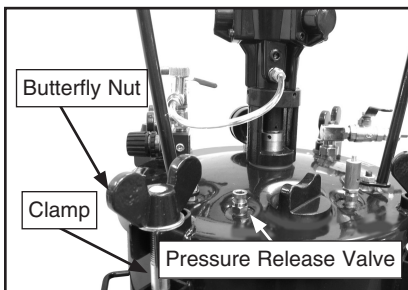


Figure 4. Pressure Release Valve.

3. Turn the tank regulator knob counterclockwise until you no longer feel spring tension.
4. Loosen the butterfly nuts on the tank lid (**Figure 4**), tip the clamps back, and tilt the tank lid to one side.
5. Loosen the spray gun air cap retaining ring about three turns, then turn **ON** the air supply.
6. Cover the cap with a cloth and pull the trigger to force the material back through the hose and into the tank.
7. Empty and clean the tank of all paint, and fill it with solvent.
8. Replace the lid, tighten the clamps, and spray the gun until it sprays clean solvent.

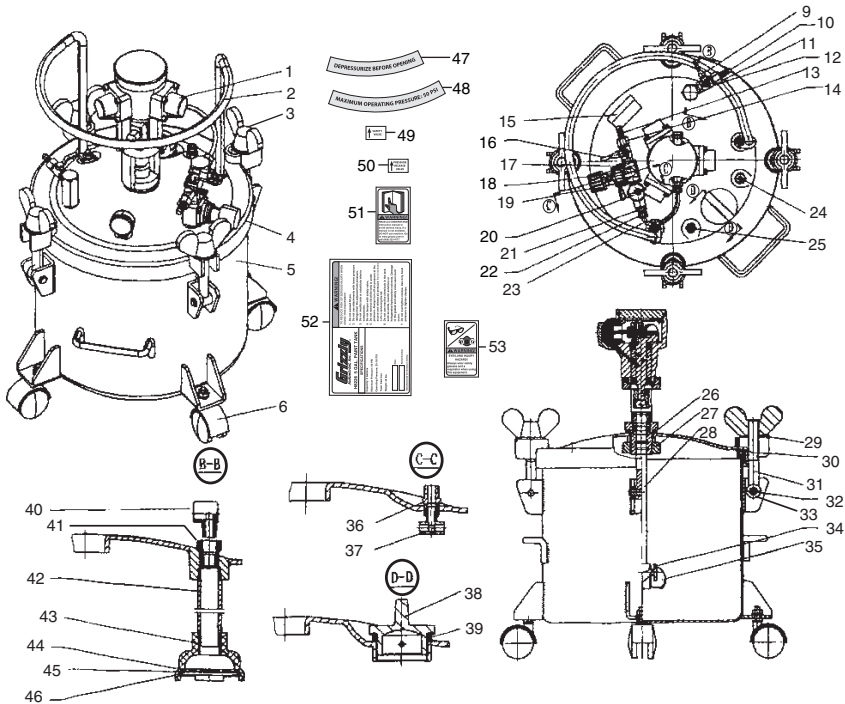
Note: Check with local laws regarding this practice. If you are spraying on a regular basis, spraying solvents into the air may be illegal. A cabinet style spray gun cleaner may be required.

9. Use solvent to thoroughly rise all parts that came in contact with the material, then dry with compressed air or let air dry.
10. Make sure all the fittings on the tank and regulator, valve, and material hose are free of hardened material that could prevent free movement of air.

Troubleshooting

Symptom	Possible Cause	Solution
Air escaping from port on regulating cap.	1. Broken or damaged diaphragm in tank regulator.	1. Replace tank regulator.
Pressure dropping slowly on regulator.	1. Dirty or worn valve seat in regulator. 2. Loose air fittings leaking air.	1. Replace tank regulator. 2. Tighten loose air fittings or remove and re-install with new Teflon tape.
Fluid or air leak at lid gasket.	1. Defective lid gasket. 2. Wing screw loose. 3. Dirt or foreign object between gasket and rim.	1. Replace lid gasket. 2. Tighten wing screws. 3. Clean rim and gasket.
Paint tends to settle rapidly in tank.	1. Paint not mixed or thinned sufficiently.	1. Mix or thin paint according to manufacturer's instructions.
Gauge not registering air pressure.	1. Air pressure turned OFF . 2. Defective pressure gauge.	1. Turn air pressure ON . 2. Replace pressure gauge.
Safety valve popping off.	1. Tank pressure too high. 2. Defective safety valve.	1. Reduce tank pressure to 20-30 PSI (See Page 8). 2. Replace safety valve.

H8226 PARTS LIST



REF PART #	DESCRIPTION
1	PH8226001 PUMP ASSEMBLY
2	PH8226002 HANDLE
3	PH8226003 BUTTERFLY NUT
4	PH8226004 ASSEMBLY COVER
5	PH8226005 ASSEMBLY TANK BODY
6	PH8226006 CASTER
9	PH8226009 MATERIAL VALVE
10	PH8226010 MATERIAL VALVE CONNECTOR
11	PH8226011 COMPRESSION NUT 3/8" NPT
12	PH8226012 MACHINED HOSE FITTING
13	PH8226013 BARBED HOSE FITTING
14	PH8226014 COMPRESSION NUT 1/4" NPT
15	PH8226015 GAUGE
16	PH8226016 AIR VALVE BODY
17	PH8226017 AIR INLET SEAT
18	PH8226018 INPUT HOSE CONNECTOR
19	PH8226019 AIR REGULATOR ASSEMBLY
20	PH8226020 SWITCH ASSEMBLY
21	PH8226021 AIR INLET CONNECTOR
22	PH8226022 HOSE CONNECTOR
23	PH8226023 HOSE
24	PH8226024 SAFETY VALVE
25	PH8226025 PRESSURE RELEASE VALVE
26	PH8226026 SEALING WASHER
27	PN11M HEX NUT M35-1.5
28	PH8226028 ROCKER

REF PART #	DESCRIPTION
29	PW08M FLAT WASHER 16MM
30	PH8226030 LID SEALING WASHER
31	PH8226031 SPECIAL T-BOLT
32	PEC10M E-CLIP 9MM
33	PH8226033 GROOVED HDLESS CLEVIS PIN 9 X 40
34	PB06M HEX BOLT M8-1.25 X 12
35	PH8226035 PROPELLER
36	PH8226036 REGULATOR AIR INLET CONNECTOR
37	PH8226037 AIR DIVERTER
38	PH8226038 STEM PIN
39	PH8226039 STEM SEALING WASHER
40	PH8226040 MATERIAL OUTLET ELBOW
41	PH8226041 MATERIAL OUTLET CONNECTOR
42	PH8226042 MATERIAL HOSE
43	PH8226043 FILTER SEAT
44	PH8226044 FILTER WASHER
45	PH8226045 FILTER NET
46	PH8226046 FILTER SPRING
47	PH8226047 DEPRESSURIZE LABEL
48	PH8226048 MAXIMUM PRESSURE LABEL
49	PH8226049 SAFETY VALVE LABEL
50	PH8226050 PRESSURE RELEASE VALVE LABEL
51	PLABEL-12A READ MANUAL LABEL-VERT
52	PH8226052 WARNING ID LABEL H8226
53	PLABEL-43 RESPIRATOR/GLASSES LABEL

Free Manuals Download Website

<http://myh66.com>

<http://usermanuals.us>

<http://www.somanuals.com>

<http://www.4manuals.cc>

<http://www.manual-lib.com>

<http://www.404manual.com>

<http://www.luxmanual.com>

<http://aubethermostatmanual.com>

Golf course search by state

<http://golfingnear.com>

Email search by domain

<http://emailbydomain.com>

Auto manuals search

<http://auto.somanuals.com>

TV manuals search

<http://tv.somanuals.com>