



MODEL G5357 ENGINE CLEANING GUN INSTRUCTION SHEET

⚠ WARNING	
	EYE/EAR INJURY HAZARD! Wear safety glasses and hearing protection when using this tool!
	INJURY HAZARD! Always disconnect tool from air to prevent unexpected operation during service!
	DO NOT EXCEED 90 PSI! Personal injury could occur.
	EXPLOSION HAZARD! Do not spray flammable fluids near and open flame or ignition source.
	LUNG HAZARD! Always wear a respirator when using this tool and use in a well ventilated area.

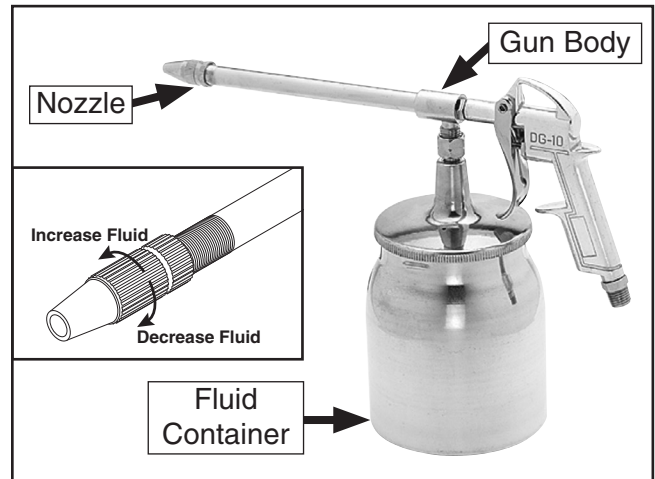


Figure 1. Model G5357.

5. Hold the gun so the nozzle is 6–10" from the surface and squeeze the trigger.
6. Adjust the nozzle, as shown in **Figure 1**, to adjust the fluid amount. Lock the adjustment by tightening the rear section of the nozzle towards the front.
7. When you are done, fill the fluid container with water and squeeze the trigger until the cleaning gun sprays clean water.

Specifications

Air Inlet Size 1/4" NPT
 Air Consumption..... 4 CFM
 Operating Air Pressure..... 30–90 PSI
 Wand Length..... 8"
 Weight (empty)..... 1.1 lbs

Operation

1. Make sure the engine is cool to the touch and disconnect and insulate the positive battery cable.
2. Fill the fluid container with an approved engine cleaning solvent or detergent. Never use corrosive fluids in the container.
3. Connect the gun body to the fluid container.
4. Connect the engine cleaning gun (**Figure 1**) to an air supply set at 60 PSI.

Air Supply

The engine cleaning gun **MUST** be regularly lubricated with 3-4 drops of air tool oil directly into the air fitting before each use. For best results, we recommend using an in line filter, lubricator, and regulator, as shown in **Figure 2**.

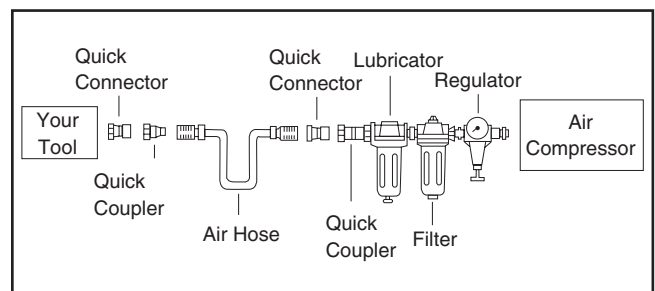
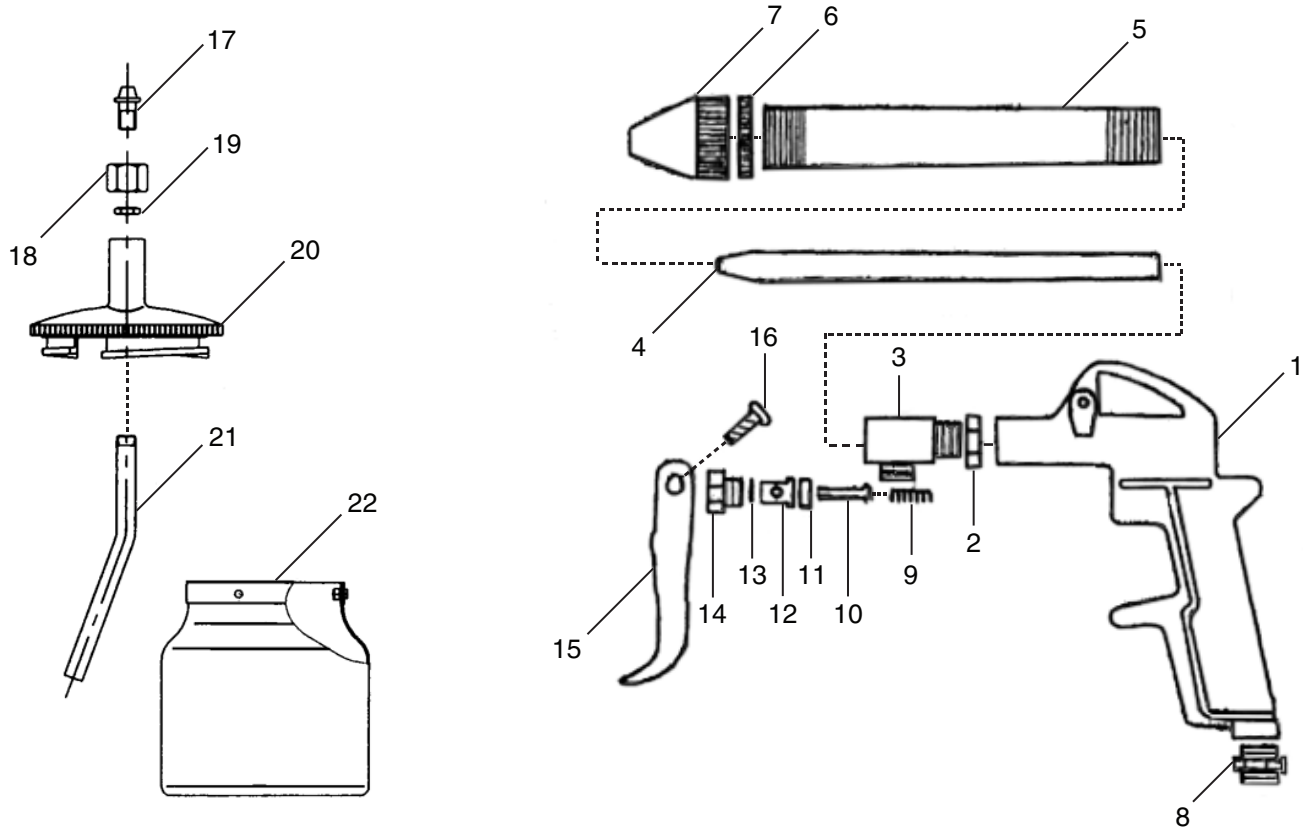


Figure 2. Installing your tool.

G5357 Parts Breakdown and List



REF	PART #	DESCRIPTION
1	P5357001	GUN BODY
2	P5357002	SPECIAL NUT
3	P5357003	ADAPTER
4	P5357004	INNER TUBE NOZZLE
5	P5357005	STEEL TUBE
6	P5357006	ADJUST RING NUT
7	P5357007	WAND CAP
8	P5357008	AIR INLET
9	P5357009	COMPRESSION SPRING
10	P5357010	AIR VALVE
11	P5357011	PACKING

REF	PART #	DESCRIPTION
12	P5357012	THROTTLE
13	P5357013	O-RING
14	P5357014	VALVE NUT
15	P5357015	TRIGGER
16	P5357016	TRIGGER PIN
17	P5357017	INLET JOINT
18	P5357018	FLARE NUT
19	P5357019	SPECIAL HEX NUT
20	P5357020	LID
21	P5357021	SUCTION TUBE
22	P5357022	MATERIAL CUP

If you need help with your new pneumatic tool, call our Tech Support at: (570) 546-9663.

COPYRIGHT © MAY, 2008 BY GRIZZLY INDUSTRIAL, INC.
**WARNING: NO PORTION OF THIS MANUAL MAY BE REPRODUCED IN ANY SHAPE
 OR FORM WITHOUT THE WRITTEN APPROVAL OF GRIZZLY INDUSTRIAL, INC.**
 #JM10775 PRINTED IN TAIWAN

Free Manuals Download Website

<http://myh66.com>

<http://usermanuals.us>

<http://www.somanuals.com>

<http://www.4manuals.cc>

<http://www.manual-lib.com>

<http://www.404manual.com>

<http://www.luxmanual.com>

<http://aubethermostatmanual.com>

Golf course search by state

<http://golfingnear.com>

Email search by domain

<http://emailbydomain.com>

Auto manuals search

<http://auto.somanuals.com>

TV manuals search

<http://tv.somanuals.com>