

# *Panther*™

*panthercarts.com*

## **LARGE WHEEL NURSERY PUSH CART MODEL H3034 INSTRUCTION SHEET**



COPYRIGHT © JUNE, 2004 BY GRIZZLY INDUSTRIAL, INC.  
**WARNING: NO PORTION OF THIS MANUAL MAY BE REPRODUCED IN ANY SHAPE  
OR FORM WITHOUT THE WRITTEN APPROVAL OF GRIZZLY INDUSTRIAL, INC.**  
#CA6393 PRINTED IN CHINA

# PARTS INVENTORY

The Model H3034 was carefully packed when it left our warehouse. If you discover this cart is damaged after you have signed for delivery, *please immediately call Customer Service at (570) 546-9663 for advice.*

Save the containers and all packing materials for possible inspection by the carrier or its agent. *Otherwise, filing a freight claim can be difficult.*

When you are completely satisfied with the condition of your shipment, you should inventory the contents.

## Figure 1 - Frame Components.

A.	Base .....	1
B.	Right Fence .....	1
C.	Left Fence .....	1
D.	Tailgate.....	1

## Figure 2 - More Components

A.	Wheels .....	2
B.	Legs.....	2
C.	Support Bar .....	1
D.	Handle .....	1
E.	Axle .....	1
F.	Bolt Bag.....	1
	—Flat Washers 20mm .....	2
	—Cotter Pins 4mm x 42mm .....	2
	—Hex Bolts M8-1.25 x 15 .....	2
	—Hex Bolts M8-1.25 x 40 .....	9
	—Hex Bolts M8-1.25 x 30 .....	4
	—Hex Bolts M8-1.25 x 45 .....	2
	—Lock Nuts M8-1.25 .....	17
	—Flat Washers 8mm .....	17
	—Slotted Screws M6-1 x 70 .....	2
	—Lock Nuts M6.....	2

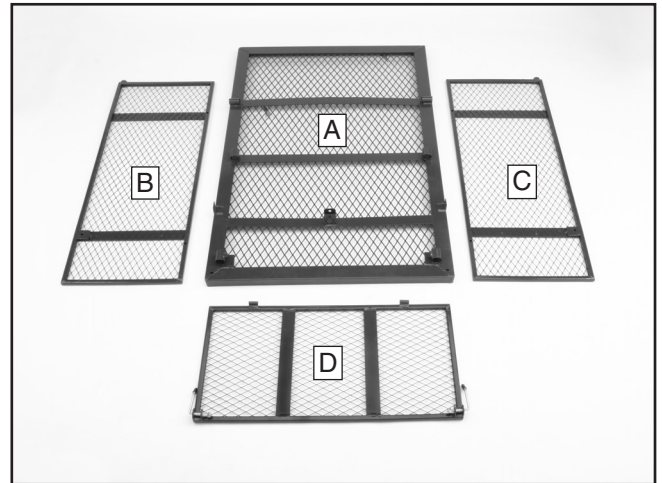


Figure 1. Frame components.

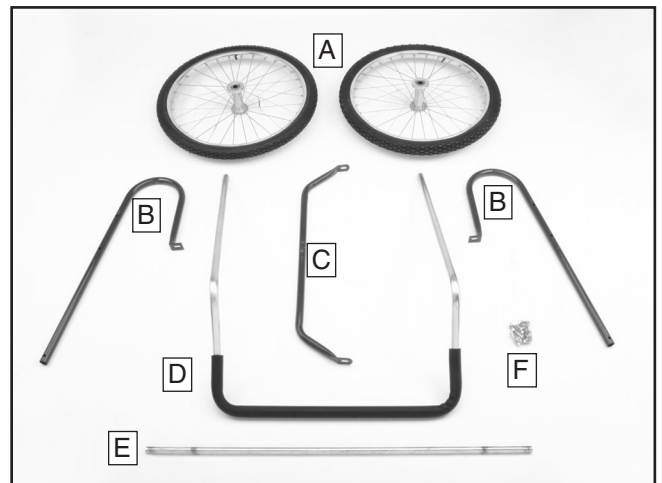


Figure 2. More components.

## ⚠ WARNING

Children may climb into plastic bags and suffocate. Keep all plastic bags included in packaging out of the reach of children.

## ⚠ CAUTION

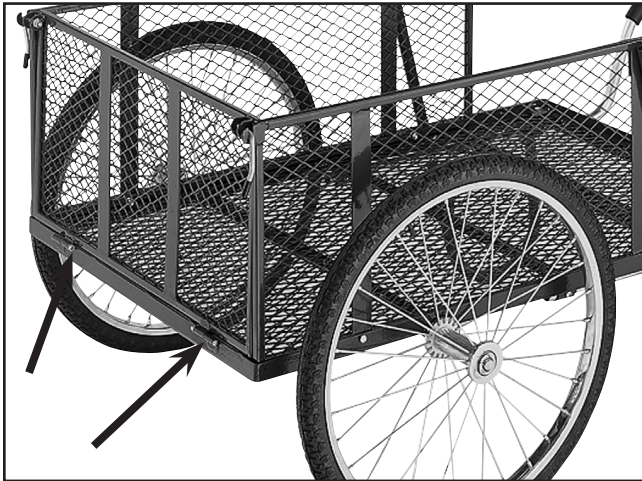
Adult supervision is always required while this wagon is being used by children.

# ASSEMBLY INSTRUCTIONS

When assembling the Model H3034, tighten all nuts and bolts finger tight, then, when the cart is assembled, tighten all nuts and bolts firmly.

## FENCES, HANDLES, AND LEGS

1. Bolt the fence sides to the inside of the base using the M8-1.25 x 30 hex bolts, flat washers, lock washers, and hex nuts.
2. Install the tailgate with the hinges facing out, using the M6-1 x 70 slotted screws and lock nuts as shown in **Figure 3**.



**Figure 3.** Tailgate hinges.

3. Bolt the legs to the base (**Figure 4**) using M8-1.25 x 40 hex bolts, flat washers, and lock nuts. Bolt them to the sides using M8-1.25 x 45 hex bolts, flat washers and lock nuts.



**Figure 4.** Leg and handle installation.

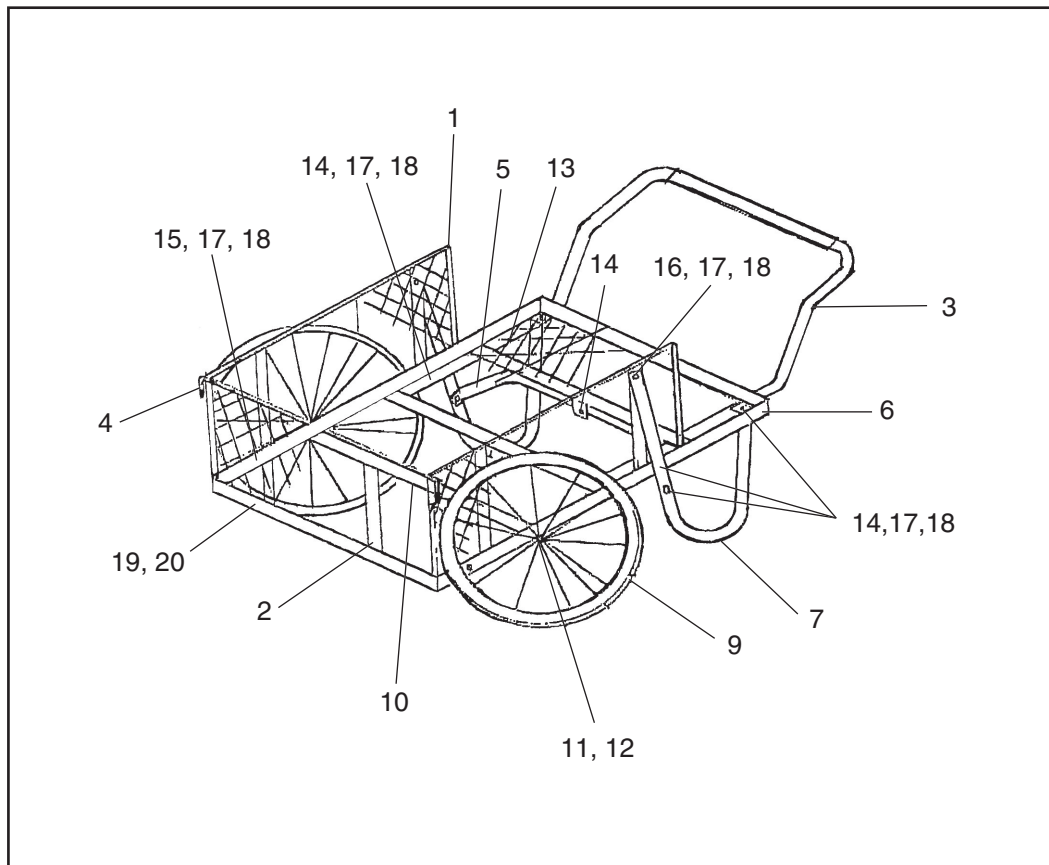
4. Slide the handle through the handle housing rings and fasten with M8-1.25 x 40 hex bolts, and lock nuts for the ends, and M8-1.25 x 16 hex bolts for the threaded housing rings (**Figure 4**).
5. Place the support bar in the bracket on the base and bolt the ends to the legs with M8-1.25 x 40 hex bolts, flat washers and lock nuts (**Figure 4**).
6. Secure the support bar in the bracket with a M8-1.25 x 40 hex bolt, flat washer and lock nut (**Figure 4**).

## AXLE AND WHEELS

1. With the cart upside down, place the axle through the axle housing on the bottom of the base.
2. Place a wheel and a 20mm flat washer on each axle end.
3. Insert and spread a cotter pin through each axle.

*If you need additional help with this procedure, call our service department at: (570) 546-9663.*

# H3034 Parts Breakdown and List



REF	PART#	DESCRIPTION
1	PH3034001	FENCE
2	PH3034002	TAILGATE
3	PH3034003	HANDLE
4	PH3034004	TAILGATE LATCH
5	PH3034005	SUPPORT BAR
6	PH3034006	BASE
7	PH3034007	LEG
9	PH3034009	WHEEL 26 X 2.125
10	PH3034010	AXLE
11	PW13M	FLAT WASHER 20MM

REF	PART#	DESCRIPTION
12	PH3034012	COTTER PIN 4MM X 42MM
13	PB03M	HEX BOLT M8-1.25 X 16
14	PB15M	HEX BOLT M8-1.25 X 40
15	PB26M	HEX BOLT M8-1.25 X 30
16	PB118M	HEX BOLT M8-1.25 X 45
17	PLN04M	LOCK NUT M8-1.25
18	PW01M	FLAT WASHER 8MM
19	PS90M	PHLP HD SCR M6-1 X 70
20	PLN03M	LOCK NUT M6-1

## Free Manuals Download Website

<http://myh66.com>

<http://usermanuals.us>

<http://www.somanuals.com>

<http://www.4manuals.cc>

<http://www.manual-lib.com>

<http://www.404manual.com>

<http://www.luxmanual.com>

<http://aubethermostatmanual.com>

Golf course search by state

<http://golfingnear.com>

Email search by domain

<http://emailbydomain.com>

Auto manuals search

<http://auto.somanuals.com>

TV manuals search

<http://tv.somanuals.com>